

# JVC

- EN INSTRUCTION MANUAL
- CZ NÁVOD K POUŽITÍ
- PL INSTRUKCJA OBSŁUGI
- SK NÁVOD NA POUŽITIE
- HU HASZNÁLATI UTASÍTÁS
- RO MANUAL DE INSTRUCȚIUNI
- BG РЪКОВОДСТВО ЗА ЕКСПЛОАТАЦИЯ



Portable CD player with MP3/USB/DAB+/Bluetooth

**RD-E661W-DAB / RD-E661B-DAB**



## INTRODUCTION

- Thank you for buying our product.
- Please read through these operating instructions, so you will know how to operate your equipment properly. After you finished reading the instructions manual, put it away in a safe place for future reference.

## WARNING

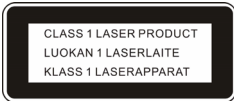
To prevent fire or shock hazard, do not expose this appliance to rain or moisture. To avoid electrical shock, do not open the cabinet; refer servicing to qualified personnel only.

## CAUTION

Use of controls or adjustment or performance of procedures other than those specified herein may result in hazardous radiation exposure.

## DANGER

Invisible laser radiation when open and interlock failed or defeated. Avoid direct exposure to beam.



This Compact Disc player is classified as a Class 1 LASER PRODUCT. THE CLASS 1 LASER PRODUCT label is located on the rear exterior.

*NOTE: The manufacturer is not responsible for any radio or TV interference caused by unauthorized modifications could void the user's authority to operate the equipment.*

- Avoid installing the unit in locations described below:
  - Places exposed to direct sunlight or close to heat radiating appliance such as electric heaters, on top of other stereo equipment that radiate too much heat.
  - Places lacking ventilation or dusty places.
  - Places subject to constant vibration.
  - Humid or moist places.
- Operate turning controls and switches as instructed in manual.
- Before turning on the power for the first time, make sure that the power cord is properly installed.

**WARNING:** Remove batteries if exhausted or if they will not be used again for a long period. The incorrect use of batteries can cause electrolyte leakage and will corrode the compartment or cause the batteries to burst, therefore:

- Do not mix battery types, e.g. alkaline with zinc carbonate.
- When inserting new batteries, replace all batteries at the same time.

Do not ingest the battery, Chemical burn hazard (the remote control supplied with).

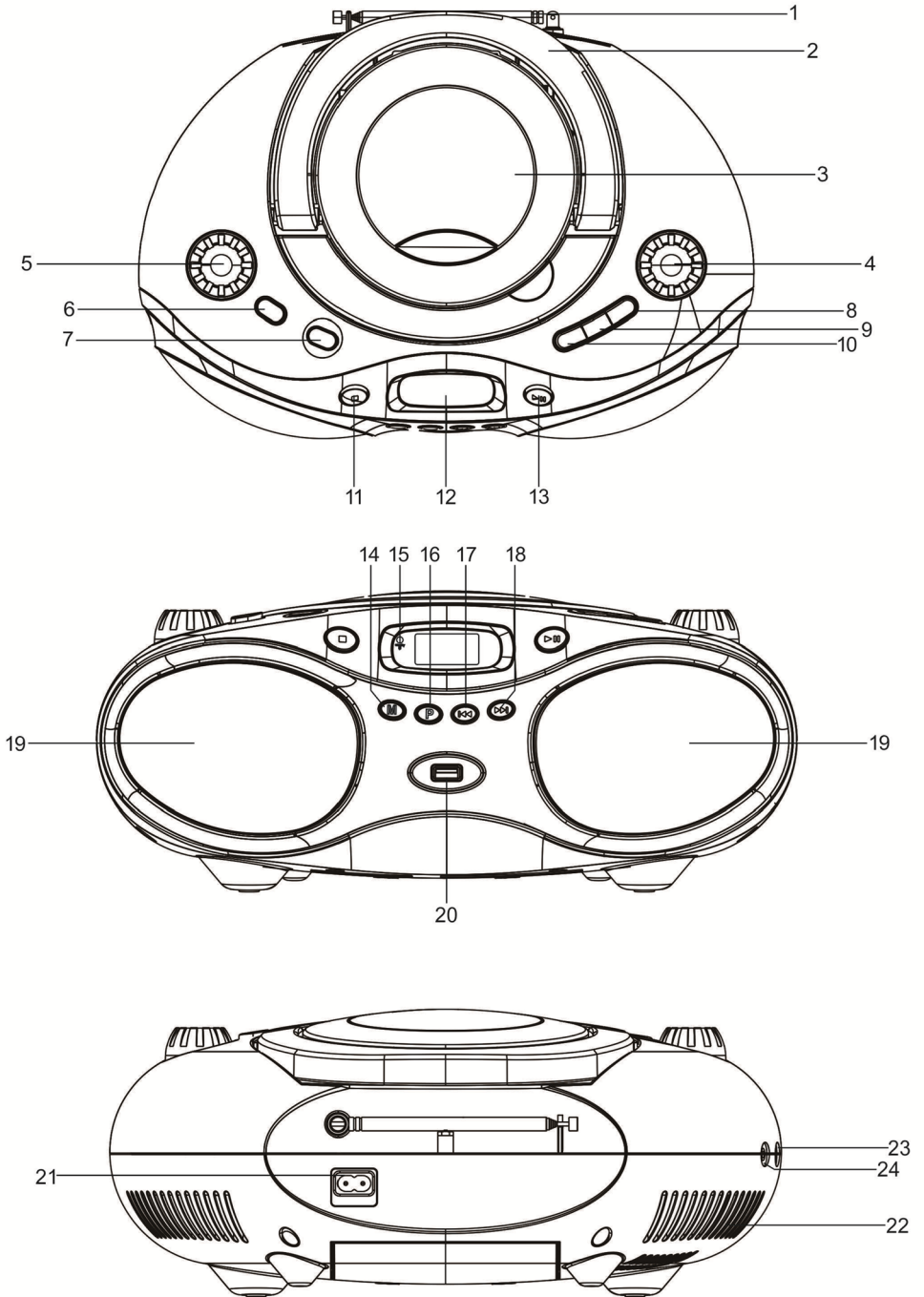
This product contains a coin/button cell battery. If the coin/button cell battery is swallowed, it can cause severe internal burns in just 2 hours and can lead to death.

Keep new and used batteries away from children.

If the battery compartment does not close securely, stop using the product and keep it away from children.

If you think batteries might have been swallowed or placed inside any part of the body, seek immediate medical attention.

# NAME OF CONTROLS



1. FM ANTENNA
2. HANDLE
3. CD DOOR
4. TUNING KNOB
5. VOLUME KNOB
6. BASS BUTTON
7. STANDBY BUTTON
8. 10/FOLD./M.+ BUTTON
9. 10/FOLD./M.- BUTTON
10. FUNC. BUTTON
11. ■/MENU/INFO BUTTON
12. LCD DISPLAY
13. ►/PAIR/ SELECT BUTTON
14. P-MODE BUTTON
15. STANDBY INDICATOR
16. PROG./MEM.BUTTON
17. ◀◀/TUN- BUTTON
18. ▶▶/TUN+ BUTTON
19. SPEAKER
20. USB PORT
21. AC SOCKET
22. VENTILATION HOLES
23. AUX IN JACK
24. HEADPHONE JACK

## POWER SOURCE

This unit is designed to be operated on AC/DC.

## AC OPERATION

Plug the smaller end of AC power cord into AC jack on unit and the other bigger end into household AC wall outlet. The unit will be automatically disconnected.

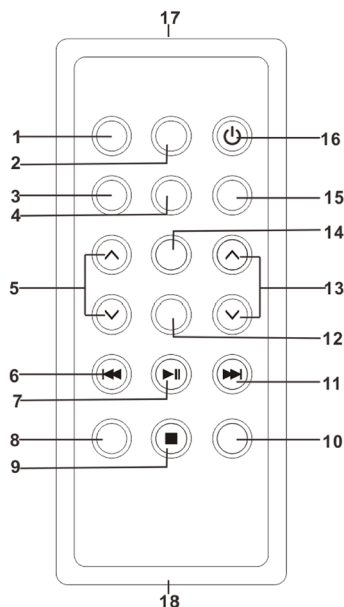
## DC OPERATION

Open the BATTERY COMPARTMENT DOOR. Install 8pcs UM-2/C size batteries (not included) into compartment. Please follow correct polarities as indicated.

## CAUTION

- Remove batteries if they are exhausted or long time use.
- Batteries contain chemical substances, so they should be disposed of properly.

## REMOTE CONTROL



1. FUNC. KEY
2. MUTE KEY
3. MEMORY KEY
4. BASS KEY
5. 10/M./ Fold. UP/DOWN KEY
6. CD B-SKIP ◀◀/TUN- KEY
7. CD ►/SELECT KEY
8. P-MODE KEY
9. ■/MENU KEY
10. PAIR KEY
11. CD F-SKIP ▶▶/TUN+ KEY
12. ID3 KEY
13. VOLUME UP/DOWN KEY
14. INFO KEY
15. MO/ST KEY
16. ⏻ STANDBY KEY
17. REMOTE SENSOR
18. BATTERY COMPARTMENT

## REMOTE CONTROL OPERATION

To operate the unit with the remote control, point the remote handset at the remote sensor on the front panel and press the appropriate button on the remote handset.

The remote works best within a range of 6 ~ 7 meters from the front panel and on an angle of 30 degrees. Bright sunlight or room light conditions can interfere with the remote control. If the remote operation is unsatisfactory or stops working entirely, first try replacing the remote batteries, then try reducing the room lighting conditions.

## LITHIUM BATTERY INSTALLATION OF REMOTE CONTROL

The remote control includes one CR2025(3V) lithium battery.

To replace the battery, gently push the clasp to the right direction accordingly to the instruction and then pull out the battery compartment. Take the drained battery out and install a new lithium battery (CR-2025) in the compartment with the positive polarity unwarded. then push the compartment back to its position with a "click" sound indicating installation.

## BASIC FUNCTION

### SWITCHING ON THE UNIT

After connecting the power, press the **STANDBY** button to turn on the unit. Press the **FUNC.** button on unit or remote control to choose **TUNER / CD / USB / AUX/ DAB** or **BLUETOOTH** mode.

NOTE: In **CD / USB / AUX / BT** mode, when the unit is not providing the main function for 15 minutes, the unit will automatically switch into standby mode. To turn on the unit again, press **STANDBY** button or replug the unit.

*ESD hints – The product maybe reset or not reset to operation of control due to electrostatic discharge, just switch off and reconnect again.*

### TO ADJUST VOLUME

Rotate the **VOLUME** button on unit or press the **VOLUME UP/DOWN** key to increase or decrease volume.

### BASS FUNCTION

Press the **BASS** button on unit to activate the bass effect.

### HEADPHONE JACK

For private listening, connect a 3,5 mm headphone (not included) to the HEADPHONE jack. The SPEAKER will be automatically disabled.

**CAUTION: LISTENING AT A HIGH VOLUME OVER A LONG PERIOD IS NOT GOOD FOR YOUR EARS.**

## FM OPERATION

### TUNING IN RADIO STATIONS

1. Press the **FUNC.** button on unit or remote control to select the **TUNER** function, this unit is designed for FM ONLY.
2. Tune to desired station by rotating the **TUNING** knob on unit or press the **▶▶/TUN+** or **◀◀/TUN-** key on remote control, the display will show the band frequency.  
Example: **FM 97.10** MHz. If the radio receive Stereo signal, "**STEREO**" will show on the display.
3. Extend FM TELESCOPIC ANTENNA to its full length and gently move the unit back and forth to get the best reception, or place the unit in an open location.

4. To turn off the radio, press the **FUNC.** button or remote control to switch to other functions or press **STANDBY** button to turn off the unit.

## RADIO AUTO SCAN (SEARCH)

Press an hold the **►/SCAN/SELECT** button, the unit will conduct auto scan and program until having found a strong signal. The unit will start to broadcast the P01 after searching finished. Press the **10/FOLD./M.+** or **/M.-** button on or remote control unit to choose next/previous programmed station.

## RADIO STATION MEMORY OPERATION

You may pre-store 30 (FM) radio stations in memory for your preference, so as you can listen to your desired station directly and quickly, no need to tuning and search for again.

1. Rotate the **TUNING** knob on the unit to select the first desired station.
2. Press and hold the **PROG./MEM.** button on unit or **MEMORY** key on remote control, "**PRESET STORE**" will flash on the display. Press the **►/TUN+** or **◄/TUN-** button to choose the desired sequence you want to store, then press the the **►/SCAN/SELECT** button again to confirm.
3. Search another station, repeat steps (1) & (2) until all desired stations stored. Up to 30 stations can be programmed.
4. Press the **10/FOLD./M.+** or **/M.-** button to listen to the stored station directly.

## DAB RADIO OPERATION

DAB radio mode receives DAB/DAB+ digital radio and displays information about the station and programmed/track as broadcast. Press the **FUNC.** button until display reads "**Welcome to DAB**".

## SYSTEM

The system setting allows you to select display languages, reset to factory settings and view the software version.

## LANGUAGE

To select different languages for display messages. Press and hold the **■/MENU/INFO** button to enter menu selection, select the "**System**" option and press the **►/SCAN/SELECT** button to enter, select "**Language**" then press the **►/TUN+** or **◄/TUN-** button to choose the desired language to be displayed, then press the **►/SCAN/SELECT** button to confirm.

## FACTORY RESET

Factory reset can help to clear all user defined settings, replacing them with the original default values, including the DAB station list and preset stations. Press and hold the **■/MENU/INFO** button to enter menu selection, select the "**System**" option and press the **►/SCAN/SELECT** button to enter, select "**Factory reset**" then press the **►/TUN+** or **◄/TUN-** button to choose **YES** or **NO** option, then press the **►/SCAN/SELECT** button to confirm.

## SOFTWARE VERSION

This displays the current software version. Press and hold the **■/MENU/INFO** button to enter menu selection, select the "**System**" option and press the **►/SCAN/SELECT** button to enter, select "**SW version**" then press the **►/SCAN/SELECT** button to view the current software version.

## SCANNING FOR STATIONS

1. To do a full scan, press and hold the **■/MENU/INFO** button to enter menu selection, select the **“Full scan”** option and press the **▶▶/SCAN/SELECT** button on the unit to confirm. Once a full scan is complete, the radio returns to play the previously-selected station or first station on the station list.
2. To choose between the scanned station list, press the **▶▶/TUN+** or **◀◀/TUN-** button to scroll through the list of stations and press the **▶▶/SCAN/SELECT** button to confirm. The **“Playing”** screen will display the new station details.
3. To remove stations that are listed but unavailable, press and hold the **■/MENU/INFO** button to enter menu selection, select the **“Prune”** option and press the **▶▶/SCAN/SELECT** button to enter, press the **▶▶/TUN+** or **◀◀/TUN-** button to choose **YES** or **NO** option, then press the **▶▶/SCAN/SELECT** button to confirm. This removes all invalid stations, indicated in the station list with a **“?”** in front of the station name.

## PRESET STATIONS

To store a station in a preset memory, tune to the station that you want to save as a preset, then press the **PROG./MEM.** button on the unit until the display shows **“Preset Store”**. Use the **▶▶/TUN+** or **◀◀/TUN-** button to choose a preset memory position (for example, **“Preset 1”**), then press the **▶▶/SCAN/SELECT** button to confirm. Repeat this operation to save up to 30 preset stations.

## MANUAL TUNE

To do a manual tune, press and hold the **■/MENU/INFO** button to enter menu selection, select the **“Manual tune”** option and press the **▶▶/SCAN/SELECT** button to confirm. Use the **▶▶/TUN+** or **◀◀/TUN-** button to tune to the desired stations.

## NOW PLAYING INFORMATION

While a station is playing, the screen shows its name and DLS (Dynamic Label Segment) information broadcast by the station such as program name, track title and contact details. To view further information, press the **■/MENU/INFO** button each time to show next set of information, cycling through: DLS text, DL Plus information (this is only displayed if broadcast by the station), signal strength, program type, ensemble name, channel number/frequency, signal error rate and bit rate.

## DYNAMIC RANGE COMPRESSION (DRC)

This function helps to reduce the difference between the loudest and quietest audio being broadcast. Effectively, this makes quite sounds comparatively louder and loud sounds comparatively quieter. There are 2 options in this setting, the options available are: **DRC/off**. To change the DRC setting, press and hold the **■/MENU/INFO** button to enter menu selection, select the **“DRC”** option then use the **▶▶/SCAN/SELECT** button to choose a desired option.



## CD/MP3 OPERATION

### Discs for Playback

This system can playback all digital audio CD, MP3, finalized digital audio CD-Recordable (CD-R) discs, finalized digital audio CD-Rewritable (CD-RW) discs and CD-DA format digital audio CD/CD-R/CD-RW discs.

### LOADING A DISC

1. Press the **FUNC.** button to choose **CD** mode.
2. Open the CD door. "**OPEN**" will be shown on the display.
3. Place an audio CD into the tray with the label side facing up.
4. Close the CD door. The display will show "**CD--READING**", then the total number of tracks would be shown and the playback will start from track.
5. To remove the CD, press **■/MENU/INFO** button and open CD compartment lid, grasp the CD by its edges, and carefully take it out.

*Note:*

*Make sure the disc is stopped before opening the CD door.*

*To ensure good system performance; wait until the disc tray completely reads the disc before proceeding.*

*If no disc is loaded into the compartment, or the disc is placed upside down, the display will show "**NO DISC**".*

### PLAYING A DISC

1. The playback starts from track 1 automatically when reading the disc.
2. To pause playback, press **▶II/SCAN/SELECT** button. The current playing time and "**PLAY**" will flash on the display. To resume playback, press the **▶II/SCAN/SELECT** button again.
3. To stop playback, press the **■/MENU/INFO** button, the total number of tracks appears on the display.

### SELECTING A DESIRED TRACK/PASSAGE

#### To select a desired track

Press the **▶▶/TUN+** or **◀◀/TUN-** button repeatedly in stop mode or during play until the desired track appears on the display. It will start play automatically.

#### To search for a particular passage during playback (track scanning at high speed)

Press and hold the **▶▶/TUN+** or **◀◀/TUN-** button to scan the current playing track at high speed until desired passage appears, and then release the button. Playback will start again from this point.

#### To select a song which track number exceeds 10 (for USB/MP3 disc only)

To select a song/track which number exceeds 10, press the **10/FOLD./M.+** or **/M.-** button each time to skip forward/backward 10 tracks, then press the **▶▶/TUN+** or **◀◀/TUN-** button to select desired track.

#### To Select A Desired Folder (for USB/MP3 that contains more than one folder)

To select a desired folder, press and hold the **10/FOLD./M.+** or **/M.-** button tune to next/previous folder.

### PROGRAM TRACKS

Programming tracks of disc are possible when playback is stopped. Up to CD 20 tracks /MP3 99 tracks can be stored in the memory in any order.

1. In stop mode, press the **PROG./MEM.** button to enter program setting, the "**MEM**" logo and "**P01**" will flash on the display.

2. Press the **CD ►/TUN+** or **◄/TUN- / 10/FOLD./M.+** or **/M.-** button to select the first desired track to be programmed.
  3. Press the **PROG./MEM.** button on unit again. The display would show **"P02"**.
  4. Repeat steps 1 & 3 to store other desired tracks until all tracks are programmed.
  5. Press the **►/SCAN/SELECT** button to start playback from the first programmed track.
  6. Press the **►/TUN+** or **◄/TUN-** to select the next/previous programmed track.
  7. Press the **■/MENU/INFO** button to stop program playback.
- To clear the program, you may press **■/MENU/INFO** button when the disc stopped or open the CD compartment lid, the program will be erased.

## REPEAT

### To Repeat a Single Track

1. Press the **P-MODE** button during play, the display will show **"REP-1"** and the current track will be played over and over again till you press the **■/MENU/INFO** button.
2. To cancel repeat play, press **P-MODE** button on unit until **"REP-1"** disappear from the display.

### To repeat all the Tracks

1. Press **P-MODE** button until the **"REP-ALL"** shows steadily on the display, all tracks on the disc will be played over and over again till you press the **■/MENU/INFO** button.
2. To cancel repeat play, press **P-MODE** button on unit until **"REP-ALL"** disappear from the display.

### To repeat current folder (only for USB/MP3 disc which contains more than one folder)

1. Press the **P-MODE** button on unit until **"REP-DIR"** show steadily on the display, the current folder will be repeated over and over again till you press the **■/MENU/INFO** button.
2. To cancel repeat play, press **P-MODE** button on unit until **"REP-DIR"** disappear from the display.

## RANDOM PLAY

Press the **P-MODE** button on unit in play mode till the **"SHUFFLE"** shows steadily on the display, the random play will start from next track automatically, until all tracks are played over and then it will stop. To cancel random play press the **P-MODE** button until **"SHUFFLE"** disappear from the display.

## INTRO

Press the **P-MODE** button in play mode till the **"INTRO"** shows steadily on the display, the intro play will start and scan 10 seconds for every track. To cancel intro play, press the **P-MODE** button until **"INTRO"** disappear from the display.

## USB OPERATION

1. Press the **FUNC.** button to choose **USB** mode.
2. Connect the USB to the USB INPUT. The LCD will show the total number of tracks and folders stored in the USB. After reading the USB, the unit will start playback automatically.
3. To pause playback, press **►/SCAN/SELECT**. The current playing time will be on the display. To resume playback, press **►/SCAN/SELECT** button again.
4. Press the **■/MENU/INFO** button on unit to stop playing. The display will show total number of USB and folders.
5. Proceed repeat play (repeat 1- repeat folder - repeat all - random - intro) operation as the same described in above CD/MP3 OPERATION.

**CAUTION:** It supports 32GB (USB). Do not use any USB extension cable for connecting the USB bar which may cause harmful interference.

## BLUETOOTH OPERATION

1. Press the **FUNC.** button to switch to **BLUETOOTH** function, the LCD will display "**BT MODE**" with flashing "**UNCONNECT**".
2. Turn on the Bluetooth function on the device, scan the unit "**JVC RD-E661B-DAB**" / "**JVC RD-E661W-DAB**" and connect, then input the password 0000 if required. The "**BT MODE CONNECT**" will show steadily after the connection is done.
3. Press the **▶II/SCAN/SELECT** button on the unit or play key on the device to start playback.
4. If the unit can't connect the relative Bluetooth within 2 minutes, press and hold the **▶II/SCAN/SELECT** button on unit to reconnect.
5. Rotate the **VOLUME** knob to your desired level
6. Press **▶II/TUN+** or **◀◀/TUN-** on the unit or remote control to choose the desired track.
7. To stop playback, press **▶II/SCAN/SELECT** button.

*Note: The Bluetooth works best within 10 meters.*

## AUX IN OPERATION

This unit provides a 3,5 mm AUX IN jack, through this jack other audio sources can be connected to this unit and be amplified.

1. Press the **FUNC.** button to choose **AUX** mode.
2. Connect the audio cable( cable not include) into the AUX IN jack and the other end connects to the AUDIO OUT jack of the external audio source.
3. Adjust the volume of the main unit to your desired level.
4. Press **PLAY** of the external audio source (eg. MP3 player) to start playback.

## COMPACT DISC MAINTENANCE

Always use a compact disc bearing the mark as shown.



Notes on handling discs

- Removing the disc from its storage case and loading it.
- Do not touch the reflective recorded surface.
- Do not stick paper or write anything on the surface.
- Do not bend the disc.

Storage

- Store the disc in its case.
- DO not expose discs to direct sunlight or high temperatures, high humidity or dusty places.

Cleaning a disc

- Should the disc become soiled, wipe off dust, dirt and fingerprints with a soft cloth.
- The disc should be cleaned from the center to the edge.
- Never use benzene, thinners, record cleaner fluid or anti-static spray.
- Be sure to close the CD door, so the lens is not contaminated by dust.
- Do not touch the lens.

## SPECIFICATIONS

### GENERAL

Power Requirement	AC 100-240V ~ 60/50Hz DC 12V UM-2/C x 8 PCS
Power consumption	15 Watts
Standby Power consumption	< 0,5 W
Weight	Approx. 1,5 kg
Dimensions	Approx. 346 (W) x 240 (D) x 148 (H) mm
Operation temperature	+5°C – +35°C

### RECEIVER SECTION

FM Frequency Range	87,5 – 108 MHz
DAB+ Frequency Range	174,928 – 239,200 MHz

### BLUETOOTH SECTION

BT Frequency Range	2402 – 2480 MHz
EIRP	2,64 dBm

### COMPACT DISC SECTION

Optical Pickup	3 – Beam Laser
Frequency Response	100 Hz – 16 kHz

### AUDIO SECTION

Power output	2 x 2 Watts RMS
--------------	-----------------

### ACCESSORIES

Instruction Booklet, AC Cord, Remote Control

**WE RESERVE THE RIGHT TO CHANGE TECHNICAL SPECIFICATIONS.**



**WARNING:** DO NOT USE THIS PRODUCT NEAR WATER, IN WET AREAS TO AVOID FIRE OR INJURY OF ELECTRIC CURRENT. ALWAYS TURN OFF THE PRODUCT WHEN YOU DON'T USE IT OR BEFORE A REVISION. THERE AREN'T ANY PARTS IN THIS APPLIANCE WHICH ARE REPARABLE BY CONSUMER. ALWAYS APPEAL TO A QUALIFIED AUTHORIZED SERVICE. THE PRODUCT IS UNDER A DANGEROUS TENTION.



TO AVOID DANGER OF SUFFOCATION, KEEP THE PLASTIC BAG AWAY FROM BABIES AND CHILDREN. DO NOT USE THIS BAG IN CRIBS, BEDS, CARRIAGES OR PLAYPENS. THIS BAG IS NOT A TOY.

**Disposal of old Electrical & Electronic Equipment  
(Applicable in the European Union and other European countries with separate collection systems)**



This symbol on the product or on its packaging indicates that this product shall not be treated as household waste. Instead it shall be handed over to the applicable collection point for the recycling of electrical and electronic equipment. By ensuring this product is disposed of correctly, you will help prevent potential negative consequences for the environment and human health, which could otherwise be caused by inappropriate waste handling of this product. The recycling of materials will help to conserve natural resources. For more detailed information about recycling of this product, please contact your local Civic Office, your household waste disposal service or the shop where you purchased the product.

Hereby, ETA a.s. declares that the radio equipment type RD-E661B-DAB is in compliance with Directive 2014/53/EU. The full text of the EU declaration of conformity is available at the following internet address: [www.JVCAUDIO.cz/doc](http://www.JVCAUDIO.cz/doc)

## ÚVOD

- Děkujeme vám za zakoupení tohoto výrobku.
- Přečtěte si prosím tento návod k použití, abyste se dozvěděli, jak správně s přístrojem zacházet. Po přečtení návodu k použití jej uložte na bezpečné místo k možnému pozdějšímu využití.

## UPOZORNĚNÍ

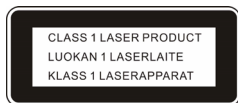
Aby nedošlo k požáru nebo úrazu elektrickým proudem, nevystavujte přístroj dešti ani vlhkosti. Neotvírejte skříň přístroje, jinak hrozí nebezpečí úrazu elektrickým proudem. Přenechejte servis kvalifikovaným osobám.

## POZOR

Použití ovládacích prvků či úprav anebo aplikace postupů odlišných od těch, které jsou popsány v tomto návodu, může vést k nebezpečnému ozáření.

## NEBEZPEČÍ

Po otevření přístroje a selhání nebo překonání bezpečnostních zámků hrozí ozáření neviditelným laserovým paprskem. Dbejte, abyste se paprsku přímo nevystavili.



Tento přehrávač kompaktních disků je klasifikován jako LASEROVÝ PRODUKT TŘÍDY 1. Štítek LASEROVÝ PRODUKT TŘÍDY 1 se nachází na vnější straně zadní části.

*POZNÁMKA: Výrobce není odpovědný za rušení rádia nebo televizoru způsobené neoprávněnými úpravami, které mohou vést k neplatnosti oprávnění uživatele toto vybavení používat.*

- Neinstalujte přístroj na níže uvedených místech:
  - Místa vystavená přímému slunci nebo v blízkosti spotřebičů vyzařujících teplo, například elektrických topných těles, ani přístroj nestavte na jiná audio zařízení, které vydávají příliš velké množství tepla.
  - Nevětraná nebo prašná místa.
  - Místa vystavená stálým vibracím.
  - Vlhká nebo mokrá místa.
- Otočné knoflíky a vypínače používejte dle pokynů v návodu.
- Před prvním zapnutím se ujistěte, že je řádně nainstalován síťový kabel.

**UPOZORNĚNÍ:** Pokud jsou baterie vybité nebo je nebudete delší dobu používat, vyjměte je z přístroje. Nesprávné použití baterií může způsobit únik elektrolytu a korozi prostoro pro baterie nebo roztržení baterií. Proto:

- Nekombinujte různé druhy baterií, např. alkalické se zinko-uhlíkovými.
- Pokud instalujete nové baterie, vyměňte všechny baterie najednou.

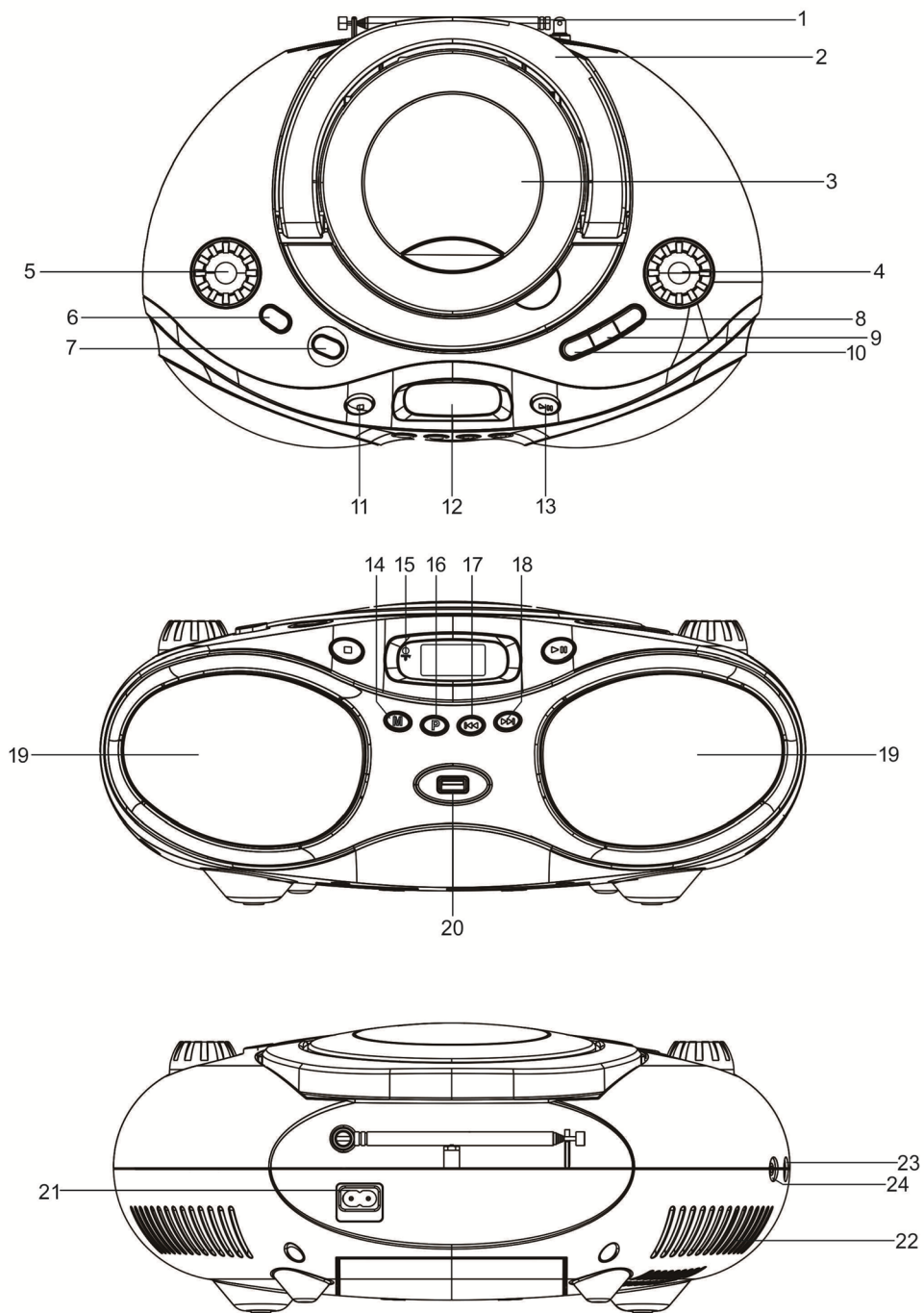
Dbejte, aby nedošlo ke spolknutí baterie (v přiloženém dálkovém ovladači), hrozí chemické popálení. Dálkový ovladač obsahuje knoflíkovou baterii. Pokud ji spolknete, může to za pouhé 2 hodiny způsobit vážné vnitřní popáleniny a smrt.

Nové i použité baterie uchovávejte mimo dosah dětí.

Pokud nejde prostor pro baterie bezpečně uzavřít, přestaňte výrobek používat a chraňte jej před dětmi.

Pokud si myslíte, že mohlo dojít ke spolknutí baterie nebo se mohly dostat do některé části těla, okamžitě vyhledejte lékařskou pomoc.

# UMÍSTĚNÍ OVLÁDACÍCH PRVKŮ



1. ANTÉNA FM
2. RUKOJEŤ
3. PROSTOR PRO CD
4. KNOFLÍK LADĚNÍ
5. KNOFLÍK OVLÁDÁNÍ HLASITOSTI
6. TLAČÍTKO BASS
7. TLAČÍTKO STANDBY
8. 1 TLAČÍTKO 0/FOLD./M.+
9. TLAČÍTKO 10/FOLD./M.-
10. TLAČÍTKO FUNC.
11. TLAČÍTKO ■/MENU/INFO
12. LCD DISPLEJ
13. TLAČÍTKO ►/PAIR/ SELECT
14. TLAČÍTKO P-MODE
15. INDIKÁTOR STANDBY
16. TLAČÍTKO PROG./MEM.
17. TLAČÍTKO ◀◀/TUN-
18. TLAČÍTKO ▶▶/TUN+
19. REPRODUKTOR
20. VSTUP USB
21. ZDÍŘKA PRO ELEKTRICKÉ NAPÁJENÍ
22. VENTILAČNÍ OTVORY
23. KONEKTOR VSTUPU AUX IN
24. KONEKTOR SLUCHÁTEK

## ZDROJ NAPÁJENÍ

Tento přístroj je určen k provozu na střídavý a stejnosměrný proud.

### PROVOZ NA STŘÍDAVÝ ELEKTRICKÝ PROUD

Užší konec síťového kabelu zapojte do elektrické zdířky pro střídavý proud na přístroji a velkou zástrčku zapojte do domovní zásuvky pro střídavý proud. Baterie se automaticky odpojí.

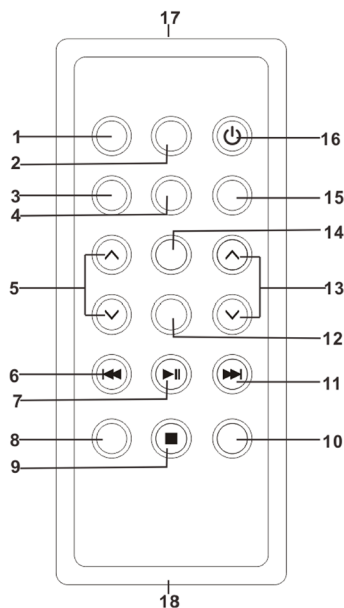
### PROVOZ NA STEJNOSMĚRNÝ PROUD

Otevřete KRYT PROSTORU PRO BATERIE. Do prostoru pro baterie instalujte 8 kusů baterií velikosti UM-2/C (nejsou přiloženy). Dodržte správnou polaritu dle označení.

### POZOR

- Jsou-li baterie vybité nebo je nebudete delší dobu používat, vyjměte je z přístroje.
- Baterie obsahují chemické látky, proto je třeba je správným způsobem likvidovat.

## DÁLKOVÝ OVLADAČ



1. TLAČÍTKO FUNC.
2. TLAČÍTKO MUTE
3. TLAČÍTKO MEMORY
4. TLAČÍTKO BASS
5. TLAČÍTKO 10/M./ Fold. UP/DOWN
6. TLAČÍTKO CD B-SKIP ◀◀/TUN-
7. TLAČÍTKO CD ►/SELECT
8. TLAČÍTKO P-MODE
9. TLAČÍTKO ■/MENU
10. TLAČÍTKO PAIR
11. TLAČÍTKO CD F-SKIP ▶▶/TUN+
12. TLAČÍTKO ID3
13. TLAČÍTKO VOLUME UP/DOWN
14. TLAČÍTKO INFO
15. TLAČÍTKO MO/ST
16. TLAČÍTKO ⏻ STANDBY
17. SENZOR DÁLKOVÉHO OVLÁDÁNÍ
18. PROSTOR PRO BATERIE



## POUŽÍVÁNÍ DÁLKOVÉHO OVLADAČE

Chcete-li přístroj ovládat pomocí dálkového ovladače, nasměrujte jej na senzor dálkového ovládání na předním panelu a stiskněte příslušné tlačítko na dálkovém ovladači.

Dálkový ovladač funguje nejlépe do vzdálenosti 6 až 7 metrů od čelního panelu a pod úhlem do 30 stupňů. Dálkové ovládání může být rušeno jasným slunečním svitem nebo světelnými podmínkami v místnosti. Pokud dálkové ovládání funguje špatně nebo vůbec, zkuste v něm nejprve vyměnit baterie a poté zkuste snížit intenzitu světla v místnosti.

## INSTALACE LITHIOVÉ BATERIE DO DÁLKOVÉHO OVLADAČE

Dálkový ovladač obsahuje jednu lithiovou baterii CR2025 (3 V). Při výměně baterie mírně zatlačte na plošku směrem doprava podle nákresu a poté vysuňte zásuvku s baterií.

Vyjměte vybitou baterii a vložte do prostoru pro baterie novou lithiovou baterii (CR-2025) s dodržením správné polarity. Poté zasuňte zásuvku s baterií zpět na místo.

Uslyšíte zaklapnutí a výměna je hotová.

## ZÁKLADNÍ FUNKCE

### ZAPNUTÍ PŘÍSTROJE

Po připojení napájení zapněte přístroj stisknutím tlačítka **STANDBY** na přístroji. Stisknutím tlačítka **FUNC.** na přístroji nebo dálkovém ovladači zvolte funkci **TUNER / CD / USB / AUX / DAB** nebo **BLUETOOTH**.

**POZNÁMKA:** Pokud nebudete v režimu **CD / USB / AUX / BT** s přístrojem po dobu 15 minut manipulovat, automaticky se přepne do pohotovostního režimu. Budete-li chtít přístroj znovu zapnout, stiskněte tlačítko pohotovostního režimu **STANDBY** nebo přístroj vytáhněte ze zásuvky a znovu zapojte.

***Tipy pro elektrostatickou elektřinu** – V důsledku elektrostatického výboje může dojít u produktu k dočasné nefunkčnosti. V takovém případě přístroj resetujte jeho vypnutím a opětovným zapnutím.*

### NASTAVENÍ HLASITOSTI

Hlasitost můžete zvyšovat nebo snižovat otáčením knoflíku **VOLUME** na přístroji nebo stisknutím tlačítek **VOLUME UP/DOWN**.

### FUNKCE BASŮ

Stisknutím tlačítka **BASS** na přístroji aktivujete funkci zvýraznění basů.

### KONEKTOR SLUCHÁTEK

Chcete-li poslouchat v soukromí, zapojte do konektoru **SLUCHÁTEK** sluchátka 3,5 mm (nejsou přiložena). Výstup **REPRODUKTORŮ** se automaticky vypne.

**UPOZORNĚNÍ:** DLOUHODOBÝ POSLECH PŘI VYSOKÉ HLASITOSTI ŠKODÍ SLUCHU.

## POUŽÍVÁNÍ RÁDIA FM

### LADĚNÍ ROZHLASOVÝCH STANIC

1. Stisknutím tlačítka **FUNC.** na přístroji nebo dálkovém ovladači zvolte funkci **TUNER.** Tento přístroj je určen POUZE pro příjem v pásmu FM.
2. Při otáčení ladícího knoflíku **TUNING** na přístroj nebo použití tlačítek **▶▶/TUN+** nebo **◀◀/TUN-** na dálkovém ovladači se na displeji zobrazí frekvence pásma. Příklad: FM 97.10 MHz. Pokud rádio přijímá stereofonní signál, zobrazí se na displeji slovo „STEREO“.
3. Roztáhněte TELESKOPICKOU ANTÉNU FM na plnou délku a mírně posunujte přístrojem do stran, abyste získali co nejlepší příjem, nebo přístroj postavte na otevřené místo.
4. Chcete-li rádio vypnout, tlačítkem **FUNC.** na přístroji nebo dálkovém ovladači přepněte na jinou funkci nebo přístroj vypněte stisknutím pohotovostního tlačítka **STANDBY.**

### AUTOMATICKÉ NALEZENÍ ROZHLASOVÉ STANICE (VYHLEDÁVÁNÍ)

Stisknutím a podržením tlačítka **▶▶/SCAN/SELECT** provede přístroj automatické vyhledání a uloží do paměti stanice se silným signálem. Po skončení vyhledávání začne vysílat stanici uloženou v paměti P01. Na následující nebo předchozí uloženou stanici můžete přepnout stisknutím tlačítka **10/FOLD./M.+** nebo **/M.-** na přístroji nebo dálkovém ovladači.

### POUŽÍVÁNÍ PAMĚTI PRO ROZHLASOVÉ STANICE

Do předvoleb lze uložit až 30 rozhlasových stanic (FM) dle vlastního výběru. Můžete tak začít poslouchat požadovanou stanici přímo a rychle, aniž byste ji museli znovu ladit a vyhledávat.

1. Otáčením knoflíku ladění **TUNING** na přístroji zvolte první požadovanou stanici.
2. Stiskněte a podržte tlačítko **PROG./MEM.** na přístroji nebo tlačítko **MEMORY** na dálkovém ovladači. Na displeji se rozbliká „PRESET STORE“. Pomocí tlačítek **▶▶/TUN+** nebo **◀◀/TUN-** zvolte požadované číslo předvolby, kam chcete stanici uložit a poté volbu potvrďte opětovným stisknutím tlačítka **▶▶/SCAN/SELECT.**
3. Vyhledejte další stanici a opakujte kroky 1 a 2, dokud neuložíte všechny požadované stanice. Lze naprogramovat až 30 stanic.
4. Pomocí tlačítek **10/FOLD./M.+** nebo **/M.-** můžete přímo přepnout na uloženou stanici, kterou si přejete poslouchat.

### POUŽÍVÁNÍ RÁDIA DAB

Režim rádia DAB přijímá digitální rádio DAB/DAB + a zobrazuje informace o stanici a naprogramované stopě při vysílání. Opakovaně stiskněte tlačítko **FUNC.** dokud se na displeji nezobrazí „Welcome to DAB“.

### SYSTÉM

Nastavení systému umožňuje vybrat jazyk zobrazení, obnovit nastavení z výroby a zobrazit verzi softwaru.

### JAZYK

Pokud chcete vybrat jiný jazyk pro zobrazení oznámení na displeji, stisknutím a podržením tlačítka **■/MENU/INFO** přejděte do nabídky možností, zvolte možnost „**Systém**“ a potvrďte stisknutím tlačítka **▶▶/SCAN/SELECT.** Zvolte „**Jazyk**“ a poté pomocí tlačítek **▶▶/TUN+** nebo **◀◀/TUN-** zvolte požadovaný jazyk, který se má zobrazovat. Poté potvrďte výběr stisknutím tlačítka **▶▶/SCAN/SELECT.**

## OBNOVENÍ TOVÁRNÍHO NASTAVENÍ

Použitím obnovení nastavení z výroby můžete vymazat všechna uživatelská nastavení, včetně seznamu stanic DAB a přednastavených stanic, a nahradit je původními výchozími hodnotami. Stisknutím a podržením tlačítka **■/MENU/INFO** přepněte do nabídky možností, zvolte možnost **“Systém”** a potvrďte stisknutím tlačítka **▶▶/TUN+** nebo **◀◀/TUN-** vyberte možnost ANO nebo **NE**. Potvrďte stisknutím tlačítka **▶▶/SCAN/SELECT**.

## VERZE SOFTWARE

Zde se zobrazuje aktuální verze softwaru. Stisknutím a podržením tlačítka **■/MENU/INFO** přepněte do nabídky možností, zvolte možnost **“Systém”** a potvrďte stisknutím tlačítka **▶▶/SCAN/SELECT**. Vyberte možnost **“Verze softwaru”** a poté stisknutím tlačítka **▶▶/SCAN/SELECT** zobrazíte aktuální verzi softwaru.

## VYHLEDÁVÁNÍ STANIC

1. Chcete-li provést úplné vyhledání, stisknutím a podržením tlačítka **■/MENU/INFO** přepněte do nabídky možností, zvolte možnost **“Úplné vyhledávání”** a stisknutím tlačítka **▶▶/SCAN/SELECT** na přístroj výběr potvrďte. Po dokončení úplného vyhledání se rádio vrátí k přehrávání dříve vybrané stanice nebo první stanice v seznamu.
2. Chcete-li vybírat v seznamu vyhledaných stanic, pomocí tlačítek **▶▶/TUN+** nebo **◀◀/TUN-** můžete procházet seznamem stanic a tlačítkem **▶▶/SCAN/SELECT** volbu potvrdit. Zobrazí se **„Nyní hraje“** s údaji o nové stanici.
3. Jestliže chcete odstranit stanice, které jsou v seznamu, ale nefungují, stisknutím a podržením tlačítka **■/MENU/INFO** přejděte do nabídky možností, vyberte možnost **“Promazat”** a potvrďte stisknutím tlačítka **▶▶/SCAN/SELECT**. Pomocí tlačítek **▶▶/TUN+** nebo **◀◀/TUN-** zvolte možnost **Ano** nebo **Ne** a poté potvrďte stisknutím tlačítka **▶▶/SCAN/SELECT**. Odstraní se všechny neplatné stanice, které jsou v seznamu označeny symbolem **“?”** před názvem stanice.

## PŘEDVOLENÉ STANICE

Chcete-li uložit stanici do paměti, naladte stanici, kterou chcete uložit jako předvolbu, a opakovaně stiskněte tlačítko **PROG./MEM.** na přístroji, dokud se na displeji nezobrazí **“Předv. uložit”**. Tlačítka **▶▶/TUN+** nebo **◀◀/TUN-** zvolte pozici pro paměť předvolby (například **“Předvolba 1”**) a poté potvrďte stisknutím tlačítka **▶▶/SCAN/SELECT**. Opakováním tohoto postupu můžete do předvoleb uložit až 30 stanic.

## MANUÁLNÍ LADĚNÍ

Při manuálním ladění přepněte do nabídky možností stisknutím a podržením tlačítka **■/MENU/INFO**. Zvolte možnost **“Ruční ladění”** a potvrďte stisknutím tlačítka **▶▶/SCAN/SELECT**. Pomocí tlačítek **▶▶/TUN+** nebo **◀◀/TUN-** naladte požadované stanice.

## INFORMACE O PŘÁVĚ PŘEHŘÁVANÉ STANICI

Během přehrávání stanice se na obrazovce zobrazuje její název a informace DLS vysílané stanicí, například název programu, název stopy a další údaje. Chcete-li zobrazit další informace, stiskněte tlačítko **■/MENU/INFO**. Po každém stisknutí se zobrazí další sada informací, a to v posloupnosti: text DLS, informace DL Plus (zobrazí se, jen pokud je příslušná stanice vysílá), intenzita signálu, typ programu, název multiplexu, číslo/frekvence kanálu, chybovost signálu a bitová rychlost.

## KOMPRESI DYNAMICKÉHO ROZSAHU (DRC)

Tato funkce pomáhá snížit rozdíl mezi nejhlasitějším a nejtíšším vysílaným zvukem. Díky tomu jsou tišší zvuky relativně hlasitější a hlasitější zvuky relativně tišší. V tomto nastavení jsou k dispozici dvě možnosti, a to **DRC** a **Vyp.** Chcete-li změnit nastavení DRC, stiskněte a podržte tlačítko **■/MENU/INFO**, čímž přepnete do nabídky možností, zvolte možnost **"DRC"** a poté tlačítkem **▶/SCAN/SELECT** vyberte požadovanou možnost.

## POUŽÍVÁNÍ CD/MP3

### DISKY PRO PŘEHRÁVÁNÍ

Tento přístroj je schopen přehrávat veškerá digitální zvuková CD, MP3, finalizované digitální nahrávací audio disky (CD-R), finalizované digitální přepisovatelné audio disky (CD-RW) a digitální audio disky CD, CD-R a CD-RW formátované jako CD-DA.

### VLOŽENÍ DISKU

1. Stisknutím tlačítka **FUNC.** zvolte režim **CD**.
2. Otevřete prostor pro CD. Na displeji se zobrazí **"OPEN"** (Otevřeno).
3. Vložte na talíř CD potíštěnou stranou směrem nahoru.
4. Zavřete talíř CD. Displej zobrazí blikající oznámení **"CD--READING"** (Načítání CD), poté se ukáže celkový počet stop a spustí se přehrávání od první stopy.
5. Chcete-li CD vyjmout, stiskněte tlačítko **■/MENU/INFO** a otevřete talíř CD. Uchopte CD za okraje a opatrně jej vyjměte.

*Poznámka:*

*Před otevřením prostoru pro CD se ujistěte, že se disk zastavil.*

*Chcete-li zajistit dobrý výkon systému, vyčkejte před dalšími úkony, až přístroj kompletně načte disk.*

*Pokud není vložen žádný disk nebo není možné jej načíst, na displeji se zobrazí **"NO DISC"**.*

### PŘEHRÁVÁNÍ DISKU

1. Po načtení disku začne automatické přehrávání od stopy 1.
2. Jestliže chcete přehrávání pozastavit, stiskněte tlačítko **▶/SCAN/SELECT**. Na displeji bude blikat aktuální doba přehrávání a slovo **"PLAY"** (Přehrát). Přehrávání obnovíte opětovným stisknutím tlačítka **▶/SCAN/SELECT**.
3. Chcete-li přehrávání zastavit, stiskněte tlačítko **■/MENU/INFO**. Na displeji se zobrazí celkový počet stop.

### VOLBA POŽADOVANÉ STOPY/PASÁŽE

#### Volba požadované stopy

Stiskněte opakovaně tlačítko **▶/TUN+** nebo **◀/TUN-** v režimu zastavení nebo během přehrávání, dokud se na displeji neobjeví požadovaná stopa. Přehrávání se spustí automaticky.

#### Vyhledání určité pasáže během přehrávání (prohledávání stopy vysokou rychlostí)

Stisknutím a podržením tlačítka **▶/TUN+** nebo **◀/TUN-** můžete aktuálně přehrávanou stopu prohledávat vysokou rychlostí, dokud nenarazíte na požadovanou pasáž. Poté tlačítko pusťte. Přehrávání se spustí znovu od tohoto bodu.

#### Volba skladby, jejíž číslo stopy je vyšší než 10 (pouze pro USB/MP3)

Chcete-li vybrat skladbu/stopu, jejíž číslo je vyšší než 10, při každém stisknutí tlačítka **10/FOLD./M.+** nebo **/M.-** přeskočíte o 10 stop směrem vpřed nebo vzad. Poté pomocí tlačítek **▶/TUN+** nebo **◀/TUN-** zvolte požadovanou stopu.

## Volba požadované složky (pro USB/MP3, které obsahují více než jednu složku)

Požadovanou složku vyberete stisknutím a podržením tlačítka **10/FOLD./M.+** nebo **/M.-**, kterým se přesunete na další/předchozí složku.

## PROGRAMOVÁNÍ STOP

Programování stop na disku je možné, pokud je zastaveno přehrávání. Do paměti lze uložit až 20 stop z CD nebo 99 stop z disku MP3, a to v libovolném pořadí.

1. V režimu zastavení přepněte stisknutím tlačítka **PROG./MEM.** na nastavení programování. Na displeji bude blikat logo "**MEM**" (Paměť) a "**P01**".
2. Pomocí tlačítka CD **▶▶/TUN+** nebo **◀◀/TUN-** / **10/FOLD./M.+** nebo **/M.-** zvolte první požadovanou stopu, která se má naprogramovat.
3. Stiskněte opět tlačítko **PROG./MEM.** Na displeji se zobrazí "**P02**".
4. Opakováním kroků 1 a 3 ukládejte další stopy, dokud nenaprogramujete všechny požadované stopy.
5. Stisknutím tlačítka **▶/SCAN/SELECT** spustíte přehrávání od první naprogramované stopy.
6. Pomocí tlačítek **▶▶/TUN+** nebo **◀◀/TUN-** zvolte další/předchozí naprogramovanou stopu.
7. Naprogramované přehrávání zastavíte stisknutím tlačítka **■/MENU/INFO.**

Chcete-li program vymazat, můžete stisknout tlačítko **■/MENU/INFO**, jakmile se disk zastaví nebo otevřete prostor pro CD. Program se smaže.

## OPAKOVÁNÍ

### Opakování jedné stopy

1. V režimu přehrávání stiskněte jednou tlačítko **P-MODE**. Na displeji se zobrazí "**REP-1**" a aktuální stopa se bude neustále opakovaně přehrávat, dokud nestisknete tlačítko **■/MENU/INFO**.
2. Jestliže chcete opakované přehrávání zrušit, stiskněte tlačítko **P-MODE** na přístroji, dokud z displeje nezmizí "**REP-1**".

### Opakování všech stop

1. Stiskněte opakovaně tlačítko **P-MODE**, dokud nebude na displeji nepřerušovaně svítit "**REP-ALL**". Budou se neustále opakovaně přehrávat všechny stopy na disku, dokud nestisknete tlačítko **■/MENU/INFO**.
2. Jestliže chcete opakované přehrávání zrušit, stiskněte tlačítko **P-MODE** na přístroji, dokud z displeje nezmizí "**REP-ALL**".

### Opakování aktuální složky (pro USB/MP3, které obsahují více než jednu složku)

1. Stiskněte opakovaně tlačítko **P-MODE**, dokud nebude na displeji nepřerušovaně svítit "**REP-DIR**". Bude se neustále opakovaně přehrávat aktuální složka, dokud nestisknete tlačítko **■/MENU/INFO**.
2. Jestliže chcete opakované přehrávání zrušit, stiskněte tlačítko **P-MODE** na přístroji, dokud z displeje nezmizí "**REP-DIR**".

## PŘEHŘÁVÁNÍ V NÁHODNÉM POŘADÍ

Stiskněte tlačítko **P-MODE**, dokud nebude na displeji nepřerušovaně svítit "**SHUFFLE**".

Náhodné přehrávání se automaticky spustí od následující stopy a bude pokračovat, dokud se nepřehrají všechny stopy. Poté se přehrávání zastaví. Chcete-li opakované přehrávání zrušit, stiskněte tlačítko **P-MODE**, dokud z displeje nezmizí "**SHUFFLE**".

## PŘEHRÁNÍ ZAČÁTKŮ STOP (INTRO)

Stiskněte opakovaně tlačítko **P-MODE** dokud nebude na displeji nepřerušovaně svítit **"INTRO"** (Přehrání začátků stop). Spustí se přehrávání začátků stop, přičemž se přehraje vždy 10 vteřin každé stopy. Chcete-li přehrávání začátků stop zrušit, stiskněte tlačítko **P-MODE** dokud z displeje nezmizí **"INTRO"**.

## POUŽÍVÁNÍ USB

1. Stisknutím tlačítka **FUNC.** zvolte režim **USB**.
2. Ke **VSTUPU USB** připojte zařízení USB. Displej LCD zobrazí celkový počet stop uložený na USB. Po načtení zařízení USB spustí přístroj automaticky přehrávání.
3. Chcete-li přehrávání pozastavit, stiskněte tlačítko **▶||/SCAN/SELECT**. Na displeji se zobrazí aktuální doba přehrávání. Přehrávání obnovíte opětovným stisknutím tlačítka **▶||/SCAN/SELECT**.
4. Přehrávání zastavíte stisknutím tlačítka **■ /MENU/INFO**. Displej zobrazí celkový počet stop a složek na zařízení USB.
5. Dále můžete pokračovat opakovaným přehráváním (opakování stopy – opakování složky – opakování všeho - náhodné přehrávání - intro) jak je popsáno v části **POUŽÍVÁNÍ CD/MP3**.

**POZOR:** Přístroj podporuje 32 GB (USB). Aby nedošlo ke škodlivému rušení, nepoužívejte pro připojení zařízení USB k přístroji prodlužovací kabely USB.

## POUŽÍVÁNÍ BLUETOOTH

1. Stisknutím tlačítka **FUNC.** přepněte na funkci **BLUETOOTH**. Na LCD displeji se zobrazí **„BT MODE“** (Režim Bluetooth) s blikajícím slovem **„UNCONNECT“** (Nepřipojeno).
2. Zapněte funkci Bluetooth na zařízení, vyhledejte přístroj **„JVC RD-E661B-DAB“** / **„JVC RD-E661W-DAB“** a proveďte připojení. Zadejte heslo 0000, je-li vyžadováno. Po dokončení připojení bude na displeji trvale svítit **„BT MODE CONNECT“** (Režim Bluetooth připojeno).
3. Přehrávání spustíte stisknutím tlačítka **▶||/SCAN/SELECT** na přístroji nebo tlačítka pro přehrávání na připojeném zařízení.
4. Pokud nedojde ke spojení přístroje pomocí funkce Bluetooth do 2 minut, stiskněte a podržte tlačítko **▶||/SCAN/SELECT** na přístroji, čímž se pokus o propojení zopakuje.
5. Otáčením knoflíku hlasitosti **VOLUME** nastavte hlasitost na požadovanou úroveň.
6. Pomocí tlačítek **▶||/TUN+** nebo **◀||/TUN-** na přístroji nebo na dálkovém ovladači zvolte požadovanou stopu.
7. Chcete-li přehrávání zastavit, stiskněte tlačítko **▶||/SCAN/SELECT**.

*Poznámka: Bluetooth nejlépe funguje do vzdálenosti 10 metrů.*

## POUŽÍVÁNÍ EXTERNÍHO VSTUPU AUX-IN

Přístroj má konektor externího vstupu 3,5 mm, s jehož pomocí lze k přístroji připojit a zesílit další zdroj zvuku.

1. Stisknutím tlačítka **FUNC.** zvolte režim **AUX** (Externí vstup).
2. Připojte do konektoru externího vstupu **AUX IN** audio kabel (není přiložen) a druhý konec zapojte do konektoru zvukového výstupu externího zdroje zvuku.
3. Upravte hlasitost hlavní jednotky na požadovanou úroveň.
4. Přehrávání spustíte stisknutím tlačítka **PLAY** externího zařízení (např. přehrávače MP3).

## ÚDRŽBA KOMPAKTNÍHO DISKU

Používejte vždy kompaktní disky s označením dle obrázku.



Poznámky ke kompaktním diskům:

- Při vyjímání disku z jeho krabičky a vkládání do přehrávače se nedotýkejte lesklého povrchu disku s nahrávkou.
- Na povrch disku nic nelepte ani nepište.
- Disk neohýbejte.

Uskladnění

- Skladujte disk v jeho krabičce.
- Nevystavujte disky přímému slunci ani vysoké teplotě, vysoké vlhkosti a prachu.

Čištění disku

- Jestliže dojde ke znečištění disku, otřete prach, nečistoty a otisky prstů měkkou tkaninou.
- Disk je třeba čistit od středu k okrajům.
- Nikdy nepoužívejte benzen, ředidla, tekutiny na čištění desek ani antistatické spreje.
- Ujistěte se, že dvířka prostoru pro CD jsou vždy zavřena, aby nedošlo ke znečištění čočky prachem.
- Nedotýkejte se čočky.

## TECHNICKÉ SPECIFIKACE

### VŠEOBECNÉ

Napájení	AC 100-240V ~ 60/50Hz DC 12V UM-2/C x 8 ks
Příkon	15 W
Standby v pohotovostním režimu	< 0,5 W
Hmotnost	přibližně 1,5 kg
Rozměry	přibližně 346 (Š) x 240 (H) x 148 (V) mm
Provozní teplota	+5°C – +35°C

### SEKCE PŘIJÍMAČE

Kmitočtový rozsah FM	87,5 – 108 MHz
Kmitočtový rozsah DAB+	174,928 – 239,200 MHz

### SEKCE BLUETOOTH

Kmitočtový rozsah BT	2402 – 2480 MHz
EIRP	2,64 dBm

### SEKCE KOMPAKTNÍHO DISKU

Optický snímač	3 – paprskový laser
Kmitočtová odezva	100 Hz – 16 kHz

### SEKCE AUDIO

Výstupní výkon	2 x 2 W RMS
----------------	-------------

### PŘÍSLUŠENSTVÍ

Návod k použití, Síťový kabel, Dálkový ovladač

**ZMĚNA TECHNICKÉ SPECIFIKACE VÝROBKU VYHRAZENA VÝROBCEM.**



Informace o výrobku a servisní síti najdete na internetové adrese [www.JVCAUDIO.cz](http://www.JVCAUDIO.cz)



**VAROVÁNÍ:** NEVYSTAVUJTE SPOTŘEBIČ DEŠTI NEBO VLHKOSTI ABYSTE PŘEDEŠLI VZNIKU POŽÁRU NEBO ÚRAZU ELEKTRICKÝM PROUDEM. VŽDY SPOTŘEBIČ VYPNĚTE ZE ZÁSUVKY, KDYŽ JEJ NEPOUŽÍVÁTE NEBO PŘED OPRAVOU. V PŘÍSTROI NEJSOU ŽÁDNÉ ČÁSTI OPRAVITELNÉ SPOTŘEBITELEM. VŽDY SE OBRACEJTE NA KVALIFIKOVANÝ AUTORIZOVANÝ SERVIS. PŘÍSTROJ JE POD NEBEZPEČNÝM NAPĚTÍM.



NEBEZPEČÍ UDUŠENÍ. PE SÁČEK ODKLÁDEJTE MIMO DOSAH DĚTÍ. SÁČEK NENÍ NA HRANÍ. NEPOUŽÍVEJTE TENTO SÁČEK V KOLÉBKÁCH, POSTÝLKÁCH, KOČÁRCÍCH NEBO DĚTSKÝCH OHRÁDKÁCH.

### Likvidace starých elektrických a elektronických zařízení

(Vztahuje se na Evropskou unii a evropské země se systémy odděleného sběru)



Tento symbol umístěný na výrobku nebo jeho balení upozorňuje, že by s výrobkem po ukončení jeho životnosti nemělo být nakládáno jako s běžným odpadem z domácnosti. Je nutné ho odvézt do sběrného místa pro recyklaci elektrického a elektronického zařízení. Zajištěním správné likvidace tohoto výrobku pomůžete zabránit případným negativním dopadům na životní prostředí a lidské zdraví, které by jinak byly způsobeny nevhodnou likvidací výrobku. Recyklováním materiálů, z nichž je vyroben, pomůžete ochránit přírodní zdroje. Podrobnější informace o recyklaci tohoto výrobku zjistíte u příslušného místního obecního úřadu, podniku pro likvidaci domovních odpadů nebo v obchodě, kde jste výrobek zakoupili.

Tímto ETA a.s. prohlašuje, že typ rádiového zařízení RD-E661B-DAB je v souladu se směrnicí 2014/53/EU. Úplné znění EU prohlášení o shodě je k dispozici na této internetové adrese: [www.JVCAUDIO.cz/doc](http://www.JVCAUDIO.cz/doc)

## WPROWADZENIE

- Dziękujemy za zakup naszego produktu.
- Prosimy o przeczytanie niniejszej instrukcji obsługi, aby wiedzieć, jak prawidłowo obsługiwać sprzęt. Po przeczytaniu instrukcji obsługi odłóż ją w bezpieczne miejsce, aby móc z niej skorzystać w przyszłości.

## OSTRZEŻENIE

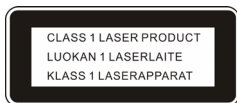
Aby uniknąć pożaru lub porażenia prądem, nie należy tego urządzenia wystawiać na działanie deszczu lub wilgoci. Aby uniknąć porażenia prądem, nie otwieraj obudowy i zlecaj czynności serwisowe wyłącznie wykwalifikowanemu personelowi.

## UWAGA

Używanie elementów sterujących, regulacja lub wykonywanie procedur innych niż określone w niniejszym dokumencie może spowodować narażenie na niebezpieczne promieniowanie.

## NIEBEZPIECZEŃSTWO

Występuje niewidzialne promieniowanie laserowe, gdy urządzenie jest otwarte i blokada za- wiodła lub została wyłączona. Unikaj bezpośredniego narażenia na promień.



Ten odtwarzacz płyt kompaktowych jest klasyfikowany jako PRODUKT LASEROWY Klasy 1. Etykieta oznaczająca PRODUKT LASEROWY KLASY 1 znajduje się z tyłu obudowy.

*UWAGA: Producent nie ponosi odpowiedzialności za jakiegokolwiek zakłócenia radiowe lub telewizyjne spowodowane przez nieautoryzowane modyfikacje, które mogą unieważnić prawo użytkownika do korzystania z urządzenia.*

- Unikaj instalowania urządzenia w miejscach opisanych poniżej:
  - Miejsca narażone na bezpośrednie działanie promieni słonecznych lub w pobliżu urządzeń emitujących ciepło, takie jak grzejniki elektryczne, na innych urządzeniach stereo, które emitują zbyt dużo ciepła.
  - Miejsca blokujące wentylację lub miejsca zakurzone.
  - Miejsca narażone na ciągłe wibracje.
  - Miejsca wilgotne lub mokre.
- Używaj pokręteł i przełączników zgodnie z instrukcją.
- Przed pierwszym włączeniem zasilania upewnij się, że przewód zasilający jest prawidłowo zainstalowany.

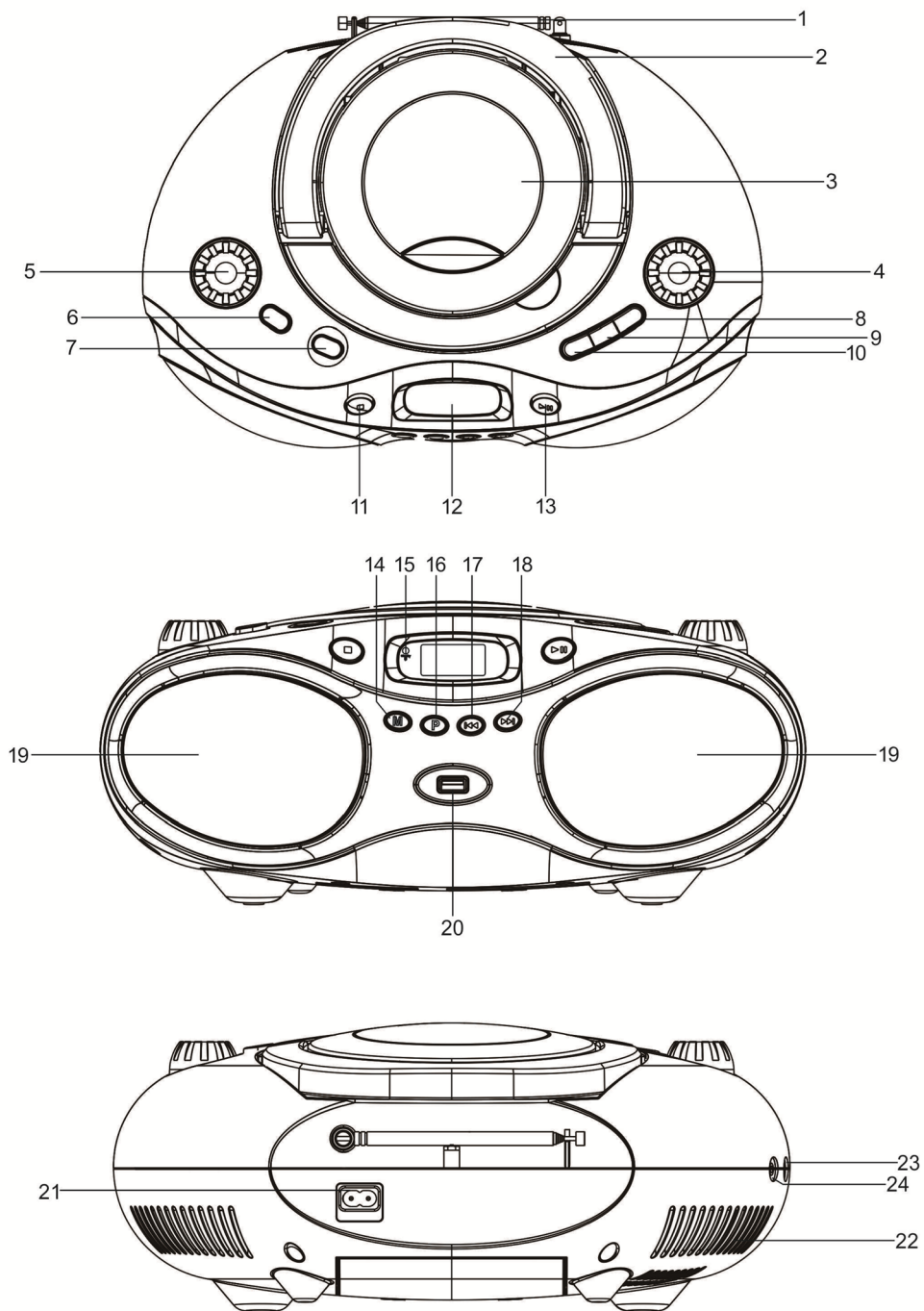
**UWAGA:** Wyjmij baterie, jeżeli są rozładowane lub jeśli nie będą ponownie używane przez długi czas. Nieprawidłowe użycie baterii może spowodować wyciek elektrolitu i spowodować korozję komory lub doprowadzić do wybuchu baterii, dlatego:

- Nie mieszaj typów baterii, np. alkalicznych z cynkowo-węglowymi.
- Wkładając nowe baterie, wymień wszystkie baterie w tym samym czasie.

Nie wolno połykać baterii. Ryzyko oparzenia chemicznego (pilot dostarczony z urządzeniem). Produkt zawiera baterię pastylkową/guzikową. Połknięcie baterii pastylkowej/guzikowej może w ciągu zaledwie 2 godzin spowodować poważne oparzenia wewnętrzne i doprowadzić do śmierci. Trzymaj nowe i zużyte baterie z dala od dzieci. Jeżeli komora baterii nie zamyka się prawidłowo, przestań używać produktu i trzymaj go z dala od dzieci.

Jeżeli uważasz, że baterie mogły zostać połknięte lub umieszczone w jakiegokolwiek części ciała, natychmiast zasięgnij porady lekarza.

# LOKALIZACJA ELEMENTÓW STERUJĄCYCH



1. ANTENA FM
2. UCHWYT
3. KOMORA CD
4. POKRĘTŁO STROJENIA
5. POKRĘTŁO GŁOŚNOŚCI
6. PRZYCISK BASS
7. PRZYCISK STANDBY
8. PRZYCISK 10/FOLD./M.+
9. PRZYCISK 10/FOLD./M.-
10. PRZYCISK FUNC.
11. PRZYCISK ■/MENU/INFO
12. EKRAN LCD
13. PRZYCISK ►/PAIR/ SELECT
14. PRZYCISK P-MODE
15. WSKAŹNIK CZUWANIA
16. PRZYCISK PROG./MEM.
17. PRZYCISK ◀◀/TUN-
18. PRZYCISK ▶▶/TUN+
19. GŁOŚNIK
20. PORT USB
21. GNAZDO AC
22. OTWORY WENTYLACYJNE
23. GNAZDO AUX IN
24. WYJŚCIE SŁUCHAWKOWE

## ŹRÓDŁA ZASILANIA

To urządzenie jest przeznaczone do zasilania prądem przemiennym/stałym.

## ZASILANIE SIECIOWE

Podłącz mniejszy koniec przewodu zasilającego do gniazda AC w urządzeniu, a drugi większy koniec podłącz do domowego gniazdka ściennego. Jednostka zostanie automatycznie odłączona.

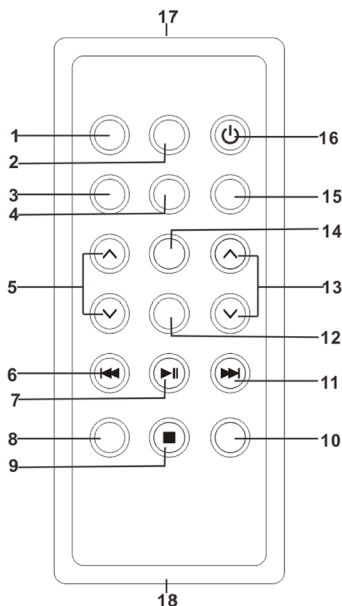
## ZASILANIE BATERYJNE

Otwórz DRZWI KOMORY BATERII. Włóż 8 sztuk baterii UM-2/C (brak w zestawie) do komory. Prosimy o przestrzeganie wskazanej polaryzacji

## UWAGA

- Wyjmij baterie, jeżeli są rozładowane lub używane przez długi czas.
- Baterie zawierają substancje chemiczne, dlatego należy je odpowiednio utylizować.

## ZDALNE STEROWANIE



1. PRZYCISK FUNC.
2. PRZYCISK MUTE
3. PRZYCISK MEMORY
4. PRZYCISK BASS
5. PRZYCISK 10/M./ Fold. UP/DOWN
6. PRZYCISK CD B-SKIP ◀◀/TUN-
7. PRZYCISK CD ▶▶/SELECT
8. PRZYCISK P-MODE
9. PRZYCISK ■/MENU
10. PRZYCISK PAIR
11. PRZYCISK CD F-SKIP ▶▶/TUN+
12. PRZYCISK ID3
13. PRZYCISK VOLUME UP/DOWN
14. PRZYCISK INFO
15. PRZYCISK MO/ST
16. PRZYCISK ⏻ STANDBY
17. REMOTE SENSOR
18. BATTERY COMPARTMENT

## OBŚLUGA ZDALNEGO STEROWANIA

Aby obsługiwać urządzenie za pomocą pilota, skieruj pilota na czujnik zdalnego sterowania na panelu przednim i naciśnij odpowiedni przycisk na pilocie.

Pilot działa najlepiej w zasięgu 6 - 7 metrów od panelu przedniego i pod kątem 30 stopni. Jasne światło słoneczne lub oświetlenie w pomieszczeniu może zakłócać działanie pilota. Jeżeli działanie pilota jest niezadowolające lub pilot przestaje działać całkowicie, spróbuj najpierw wymienić baterie pilota, a następnie spróbuj zmniejszyć oświetlenie w pomieszczeniu.

## WKŁADANIE BATERII LITOWEJ DO PILOTA ZDALNEGO STEROWANIA

Pilot zawiera jedną baterię litową CR2025 (3 V).

Aby wymienić baterię, delikatnie popchnij zatrzask w odpowiednim kierunku zgodnie z instrukcją, a następnie wyciągnij komorę baterii. Wyjmij rozładowaną baterię i zainstaluj nową baterię litową (CR-2025) w komorze z biegunowością dodatnią skierowaną ku górze, następnie wepchnij komorę z powrotem. Odgłos „kliknięcia” wskazuje na zakończenie instalacji.

## PODSTAWOWE FUNKCJE

### WŁĄCZANIE URZĄDZENIA

Po podłączeniu zasilania naciśnij przycisk **STANDBY** na urządzeniu, aby włączyć urządzenie. Naciśnij przycisk **FUNC.** na urządzeniu lub pilocie, aby wybrać funkcję **TUNER / CD / USB / AUX/ DAB** lub **BLUETOOTH**.

**OSTRZEŻENIE:** W trybie **CD / USB / AUX / BT**, gdy urządzenie nie wykonuje głównej funkcji przez 15 minut, zostanie automatycznie przełączone w tryb gotowości. Aby ponownie włączyć urządzenie, naciśnij przycisk **STANDBY** lub podłącz ponownie urządzenie.

***Wskazówki ESD** – Produkt może zostać zresetowany lub niezresetowany z powodu wyładowania elektrostatycznego, w takim wypadku wystarczy go włączyć/wyłączyć ponownie.*

### REGULACJA GŁOŚNOŚCI

Przekręć pokrętkę **VOLUME** na urządzeniu lub naciśnij przycisk **VOLUME UP/DOWN**, aby zwiększyć lub zmniejszyć poziom głośności.

### WZMOCNIENIE BASÓW

Naciśnij przycisk **BASS** na urządzeniu, aby aktywować wzmocnienie basów.

### GNIAZDO SŁUCHAWKOWE

Aby słuchać muzyki prywatnie, podłącz słuchawki 3,5 mm (brak w zestawie) do gniazda HEADPHONE. GŁOŚNIK zostanie automatycznie wyłączony.

***UWAGA:** SŁUCHANIE PRZY WYSOKIEJ GŁOŚNOŚCI PRZEZ DŁUGI OKRES CZASU NIE JEST DOBRE DLA TWOICH USZU.*

## OBSŁUGA RADIA FM

### STROJENIE STACJI RADIOWYCH

1. Naciśnij przycisk **FUNC.** na urządzeniu lub pilocie, aby wybrać funkcję **TUNER**, urządzenie jest przeznaczone **WYŁĄCZNIE** do odbioru pasma FM.
2. Wybierz żądaną stację, obracając pokrętko **TUNING** na urządzeniu lub naciskając przycisk **▶▶/TUN+** lub **◀◀/TUN-** na pilocie, na ekranie pojawi się częstotliwość pasma. Przykład: FM 97.10 MHz. Jeżeli urządzenie odbiera sygnał Stereo, na wyświetlaczu pojawi się napis **"STEREO"**.
3. Rozciągnij **ANTENĘ TELESKOPOWĄ FM** do pełnej długości i delikatnie przesuwaj urządzenie w przód i w tył, aby uzyskać najlepszy odbiór lub umieść urządzenie w otwartej przestrzeni.
4. Aby wyłączyć radio, naciśnij przycisk **FUNC.** na pilocie, aby przełączyć urządzenie na inne funkcje lub naciśnij przycisk **STANDBY**, aby wyłączyć urządzenie.

### AUTOMATYCZNE SKANOWANIE STACJI RADIOWYCH (WYSZUKIWANIE)

Naciśnij i przytrzymaj przycisk **▶▶/SCAN/SELECT**, urządzenie przeprowadzi automatyczne skanowanie i zaprogramowanie stacji do momentu znalezienia silnego sygnału. Po zakończeniu wyszukiwania urządzenie rozpocznie odtwarzanie stacji P01.

Naciśnij przycisk **10/FOLD./M.+** lub **/M.-** na urządzeniu lub pilocie, aby wybrać następną/poprzednią zaprogramowaną stację.

### OBSŁUGA PAMIĘCI RADIA

Możesz zapisać do 30 stacji radiowych (FM) w pamięci według własnych preferencji, dzięki czemu można słuchać żądanej stacji bezpośrednio i szybko, bez potrzeby strojenia i wyszukiwania ponownie.

1. Obracaj pokrętkę **TUNING** na urządzeniu, aby wybrać pierwszą żądaną stację.
2. Naciśnij i przytrzymaj **PROG./MEM.** na urządzeniu lub przycisk **MEMORY** na pilocie, na wyświetlaczu zacznie migać napis **"PRESET STORE"**. Naciśnij przycisk **▶▶/TUN+** or **◀◀/TUN-**, aby wybrać żądaną sekwencję, którą chcesz zapisać, a następnie naciśnij ponownie przycisk **▶▶/SCAN/SELECT** na urządzeniu, aby potwierdzić.
3. Wyszukaj kolejną stację, powtórz kroki 1 i 2, aż wszystkie żądane stacje zostaną zapisane. Można zaprogramować do 30 stacji.
4. Naciśnij przycisk **10/FOLD./M.+** lub **/M.-**, aby bezpośrednio słuchać zapisanej stacji.

### OBSŁUGA RADIA DAB

Tryb radia DAB odbiera cyfrowe radio DAB/DAB+ i wyświetla informacje o stacji oraz utworach za pośrednictwem transmisji. Naciśnij przycisk **FUNC** na ekranie pojawi się napis **"Welcome to DAB"**.

### SYSTEM

Ustawienia systemowe umożliwiają wybór języków wyświetlania, przywrócenie ustawień fabrycznych i przeglądanie wersji oprogramowania.

### JĘZYK

Wybór różnych języków komunikatów na wyświetlaczu. Naciśnij i przytrzymaj przycisk **■/MENU/INFO**, aby wejść do menu wyboru, wybierz opcję **"System"** i naciśnij przycisk **▶▶/SCAN/SELECT**, aby wejść, wybierz **"Język"**, a następnie użyj przycisku **▶▶/TUN+** lub **◀◀/TUN-**, aby wybrać żądany język i naciśnij przycisk **▶▶/SCAN/SELECT**, aby potwierdzić.

## PRZYWRÓCENIE USTAWIEŃ FABRYCZNYCH

Przywrócenie ustawień fabrycznych może pomóc w usunięciu wszystkich ustawień zdefiniowanych przez użytkownika, zastępując je oryginalnymi wartościami domyślnymi, w tym listą stacji DAB i zaprogramowanych stacji. Naciśnij i przytrzymaj przycisk **■ /MENU/INFO**, aby wejść do menu wyboru, wybierz opcję **“System”** i naciśnij przycisk **▶▶/SCAN/SELECT**, aby wejść, wybierz **“Reset fabryczny”**, następnie użyj przycisku **▶▶/TUN+** lub **◀◀/TUN-**, aby wybrać opcję **Tak** lub **Nie**, następnie naciśnij przycisk **▶▶/SCAN/SELECT**, aby potwierdzić.

## WERSJA OPROGRAMOWANIA

Wyświetla aktualną wersję oprogramowania. Naciśnij i przytrzymaj przycisk **■ /MENU/INFO** aby wejść do menu wyboru, wybierz opcję **“System”** i naciśnij przycisk **▶▶/SCAN/SELECT**, aby wejść, wybierz **“Wersja SW”**, następnie naciśnij przycisk **▶▶/SCAN/SELECT**, aby wyświetlić aktualną wersję oprogramowania.

## WYSZUKIWANIE STACJI

1. Aby wykonać pełne skanowanie, naciśnij i przytrzymaj przycisk **■ /MENU/INFO**, aby wejść do wyboru menu należy wybrać opcję **“Pełne skanowanie”** i wcisnąć przycisk **▶▶/SCAN/SELECT** na urządzeniu, aby potwierdzić. Po zakończeniu pełnego skanowania radio wraca do odtwarzania poprzednio wybranej stacji lub pierwszej stacji na liście stacji.
2. Aby wybrać spośród zeskanowanych stacji, naciśnij przycisk **▶▶/TUN+** lub **◀◀/TUN-**, aby przewinąć listę stacji, następnie naciśnij przycisk **▶▶/SCAN/SELECT**, aby potwierdzić. Na ekranie **“Odtwarzanie”** wyświetlone szczegóły nowej stacji.
3. Aby usunąć stację, które znajdują się na liście, ale są niedostępne, naciśnij i przytrzymaj przycisk **■ /MENU/INFO**, aby wejść do menu wyboru, wybierz opcję **“Usuwanie”** i naciśnij przycisk **▶▶/SCAN/SELECT**, aby wejść, naciśnij przycisk **▶▶/TUN+** lub **◀◀/TUN-**, aby wybrać opcję **TAK** lub **NIE**, a następnie naciśnij przycisk **▶▶/SCAN/SELECT**, aby potwierdzić. Spowoduje to usunięcie wszystkich nieprawidłowych stacji, oznaczonych na liście stacji znakiem **“?”** przed nazwą stacji.

## ZAPROGRAMOWANE STACJE

Aby zapisać stację we wstępnie ustawionej pamięci, dostrój stację, którą chcesz zapisać jako zaprogramowaną, a następnie naciśnij przycisk **PROG./MEM.** na urządzeniu, aby na wyświetlaczu pojawił się napis **“Preset Store”**. Użyj przycisku **▶▶/TUN+** lub **◀◀/TUN-**, aby wybrać zaprogramowaną pozycję w pamięci (przykładowo **“Ustawienie 1”**), następnie naciśnij przycisk **▶▶/SCAN/SELECT**, aby potwierdzić. Powtórz tę operację, aby zapisać do 30 zaprogramowanych stacji.

## STROJENIE RĘCZNE

Aby wykonać skanowanie ręczne, naciśnij i przytrzymaj przycisk **■ /MENU/INFO**, aby wejść do wyboru menu, wybierz opcję **“Strojenie ręczne”** i naciśnij przycisk **▶▶/SCAN/SELECT** aby potwierdzić. Użyj przycisku **▶▶/TUN+** lub **◀◀/TUN-**, aby wybrać żadaną stację.

## INFORMACJE „TERAZ ODTWARZANE”

Podczas odtwarzania stacji na ekranie wyświetlana jest jej nazwa oraz informacje DLS (Dynamic Label Segment) nadawane przez stację, takie jak nazwa programu, tytuł utworu i dane kontaktowe. Aby wyświetlić dalsze informacje, naciśnij przycisk **■ /MENU/INFO** za każdym razem, aby wyświetlić następny zestaw informacji, przechodząc kolejno przez: tekst DLS, informacje DL Plus (wyświetlane tylko wtedy, gdy są nadawane przez stację), siła sygnału, typ programu, nazwa zespołu, numer kanału/częstotliwość, współczynnik błędu sygnału i przepływność.



## KOMPRESJA DYNAMICZNEGO ZAKRESU (DRC)

Ta funkcja pomaga zmniejszyć różnicę między najgłośniejszym i najcichszym emitowanym dźwiękiem. W efekcie sprawia to, że dość głośne dźwięki są stosunkowo głośnie, a głośnie - stosunkowo cichsze. W tym ustawieniu dostępne są 2 następujące opcje: **DRC/Wył.**. Aby zmienić ustawienia DRC, naciśnij i przytrzymaj przycisk **■/MENU/INFO**, aby wejść do menu wyboru, wybierz opcję **"DRC"**, następnie użyj przycisku **▶/SCAN/SELECT**, aby wybrać żadaną opcję.

## OBSŁUGA CD/MP3

### PŁYTY DO ODTWARZANIA

Urządzenie może odtwarzać wszystkie cyfrowe płyty audio CD, MP3, sfinalizowane cyfrowe płyty audio CD-Recordable (CD-R), sfinalizowane cyfrowe płyty audio CD-Rewritable (CD-RW) oraz płyty CD/CD-R/CD-RW w formacie cyfrowego audio CD-DA.

### WKŁADANIE PŁYTY

1. Naciśnij przycisk **FUNC.**, aby wybrać tryb **CD**.
2. Otwórz drzwiczki CD. Komunikat **"OPEN"** pojawi się na wyświetlaczu.
3. Umieść płytę audio CD w szufladzie etykietą do góry.
4. Zamknij drzwiczki CD. Na wyświetlaczu pojawi się napis **"CD--READING"**, następnie zostanie wyświetlona całkowita liczba utworów i rozpocznie się odtwarzanie.
5. Aby wyjąć płytę CD, naciśnij przycisk **■/MENU/INFO**, aby zatrzymać odtwarzanie, następnie otwórz pokrywę komory CD. Chwyć płytę CD za krawędzie i ostrożnie ją wyjmij.

*Uwaga:*

*Upewnij się, że płyta została zatrzymana przed otwarciem drzwiczek CD.*

*Aby zapewnić dobrą wydajność systemu; poczekaj, aż szuflada na płytę w całości odczyta płytę, zanim przejdiesz dalej.*

*Jeżeli w kieszeni nie ma płyty lub płyta została włożona do góry nogami, na wyświetlaczu pojawi się komunikat **"NO DISC"**.*

### ODTWARZANIE PŁYTY

1. Odtwarzanie rozpoczyna się automatycznie od ścieżki 1 po odczytaniu zawartości płyty.
2. Aby przerwać odtwarzanie, naciśnij przycisk **▶/SCAN/SELECT**. Na wyświetlaczu zacznie migać aktualny czas odtwarzania oraz napis **"PLAY"**. Aby wznowić odtwarzanie, naciśnij ponownie przycisk **▶/SCAN/SELECT**.
3. Aby zatrzymać odtwarzanie, naciśnij przycisk **■/MENU/INFO**, na wyświetlaczu pojawi się całkowita liczba utworów.

### WYBÓR ŻADANEJ ŚCIEŻKI/FRAGMENTU

#### Aby wybrać żądany utwór

Naciskaj przycisk **▶▶/TUN+** lub **◀◀/TUN-** w trybie zatrzymania lub podczas odtwarzania, aż na wyświetlaczu pojawi się żądany utwór. Odtwarzanie rozpocznie się automatycznie.

#### Wyszukiwanie określonego fragmentu podczas odtwarzania (skanowanie utworów z dużą szybkością)

Naciśnij i przytrzymaj przycisk **▶▶/TUN+** lub **◀◀/TUN-**, aby przeskanować aktualnie odtwarzany utwór z dużą prędkością, aż pojawi się żądany fragment, a następnie zwolnij przycisk. Odtwarzanie rozpocznie się ponownie od tego miejsca..



## Aby wybrać utwór, którego numer przekracza 10 (dotyczy wyłącznie płyt USB/MP3)

Aby wybrać utwór/ścieżkę, którego liczba przekracza 10, naciśnij przycisk **10/FOLD./M.+** lub **/M.-**, aby przeskoczyć o 10 utworów do przodu/do tyłu, a następnie naciśnij przycisk **▶▶/TUN+** lub **◀◀/TUN-**, aby wybrać żądany utwór.

## Wybór żadanego folderu

### (dotyczy wyłącznie płyt USB/MP3, które zawierają więcej niż jeden folder)

Aby wybrać żądany folder, naciśnij i przytrzymaj przycisk **10/FOLD./M.+** lub **/M.-**, aby przejść do następnego/popzedniego folderu.

## ŚCIEŻKI PROGRAMU

Programowanie utworów na płycie jest możliwe, gdy odtwarzanie jest zatrzymane. W pamięci można zapisać do 20 utworów na płycie CD / 99 utworów MP3 w dowolnej kolejności.

1. W trybie zatrzymania naciśnij przycisk **PROG./MEM.**, aby wejść do ustawień programu, logo **"MEM"** oraz napis **"P01"** będą migać na wyświetlaczu..
2. Naciśnij przycisk **CD ▶▶/TUN+** lub **◀◀/TUN-** / **10/FOLD./M.+** lub **/M.-**, aby wybrać pierwszą żadaną ścieżkę do zaprogramowania.
3. Naciśnij przycisk **PROG./MEM.**, aby wprowadzić ścieżkę. Na ekranie pojawi się **"P02"**.
4. Powtarzaj kroki 1 i 3, aby zapisać pozostałe żądane ścieżki, aż wszystkie ścieżki zostaną zaprogramowane.
5. Naciśnij przycisk **▶▶/SCAN/SELECT** aby rozpocząć odtwarzanie od pierwszego zaprogramowanego utworu.
6. Naciśnij przycisk **▶▶/TUN+** lub **◀◀/TUN-**, aby wybrać następny/popzedni zaprogramowany utwór.
7. Naciśnij przycisk **■/MENU/INFO**, aby zatrzymać odtwarzanie programu.

Aby wyczyścić program, naciśnij przycisk **■/MENU/INFO** po zatrzymaniu płyty lub otwórz pokrywę komory CD, program zostanie skasowany.

## POWTARZANIE

### Powtarzanie pojedynczego utworu

1. Naciśnij raz przycisk **P-MODE** podczas odtwarzania, na wyświetlaczu pojawi się napis **"REP-1"**. Bieżący utwór będzie odtwarzany ponownie, dopóki nie naciśniesz przycisku **■/MENU/INFO**.
2. Aby anulować powtarzanie odtwarzania, naciskaj przycisk **P-MODE** na urządzeniu tak długo, aż napis **"REP-1"** nie zniknie z wyświetlacza.

### Powtarzanie wszystkich utworów

1. Naciśnij przycisk **P-MODE** tak długo, aż napis **"REP-ALL"** będzie wyświetlany w sposób ciągły na wyświetlaczu, odtwarzanie wszystkich utworów na płycie będzie powtarzane tak długo, dopóki nie naciśniesz przycisku **■/MENU/INFO**.
2. Aby anulować powtarzanie odtwarzania, naciskaj przycisk **P-MODE** na urządzeniu tak długo, aż napis **"REP-ALL"** nie zniknie z wyświetlacza.

### Powtarzanie bieżącego folderu

#### (dotyczy wyłącznie płyt USB/MP3, które zawierają więcej niż jeden folder)

1. Naciśnij przycisk **P-MODE** na urządzeniu, aż napis **"REP-DIR"** będzie wyświetlany w sposób ciągły na wyświetlaczu, odtwarzanie bieżącego folderu będzie powtarzane tak długo, aż naciśniesz przycisk **■/MENU/INFO**.
2. Aby anulować powtarzanie odtwarzania, naciskaj przycisk **P-MODE** na urządzeniu tak długo, aż napis **"REP-DIR"** nie zniknie z wyświetlacza.

## ODTWARZANIE LOSOWE

Naciśnij przycisk **P-MODE** na urządzeniu w trybie odtwarzania tak długo, aż napis **“SHUFFLE”** będzie wyświetlany w sposób ciągły na wyświetlaczu, odtwarzanie losowe rozpocznie się automatycznie od następnego utworu i będzie kontynuowane tak długo, aż wszystkie utwory zostaną odtworzone, po czym nastąpi zatrzymanie. Aby anulować funkcję odtwarzania losowego, naciśnij przycisk **P-MODE**, aby napis **“SHUFFLE”** zniknął z wyświetlacza

## ODTWARZANIE POCZĄTKÓW UTWORÓW

Naciśnij przycisk **P-MODE** w trybie odtwarzania, aby pojawił się napis **“INTRO”** na wyświetlaczu, tryb odtwarzania początków utworów zostanie włączony i nastąpi odtwarzanie pierwszych 10 sekund każdego utworu. Aby anulować funkcję odtwarzania początków utworów, naciśnij przycisk **P-MODE**, aby napis **“INTRO”** zniknął z wyświetlacza

## OBSŁUGA USB

1. Naciśnij przycisk **FUNC.**, aby wybrać tryb **USB**.
2. Podłącz urządzenie USB do WEJŚCIA USB. Wyświetlacz LCD pokaże całkowitą liczbę ścieżek i folderów zapisanych na urządzeniu USB. Po wczytaniu zawartości urządzenia USB urządzenie automatycznie rozpocznie odtwarzanie.
3. Aby przerwać odtwarzanie, naciśnij przycisk **▶/SCAN/SELECT**. Na wyświetlaczu pojawi aktualny czas odtwarzania. Aby wznowić odtwarzanie, naciśnij ponownie przycisk **▶/SCAN/SELECT**.
4. Naciśnij przycisk **■/MENU/INFO**, aby zatrzymać odtwarzanie. Wyświetlacz pokaże całkowitą liczbę USB i folderów.
5. Kontynuuj odtwarzanie z powtarzaniem (powtórz 1 - powtórz folder - powtórz wszystko - odtwarzanie losowe - odtwarzanie początków utworów), jak opisano powyżej w punkcie **OBSŁUGA CD/MP3**.

**UWAGA:** Obsługa do 32 GB (USB) Nie używaj przedłużacza USB do podłączenia urządzeń USB, ponieważ może to powodować szkodliwe zakłócenia

## OBSŁUGA BLUETOOTH

1. Naciśnij przycisk **FUNC.**, aby przejść do trybu **BLUETOOTH**, na ekranie zostanie wyświetlony napis **“BT MODE”** oraz zacznie migać komunikat **“UNCONNECT”**.
2. Włącz funkcję Bluetooth w urządzeniu, znajdź i podłącz urządzenie **“JVC RD-E661B-DAB”** / **“JVC RD-E661W-DAB”**, następnie wprowadź hasło 0000 (jeżeli będzie to konieczne). Napis **“BT MODE CONNECT”** będzie wyświetlany w sposób ciągły po nawiązaniu połączenia.
3. Naciśnij przycisk a **▶/SCAN/SELECT** a jednostce lub przycisk odtwarzania na urządzeniu, aby rozpocząć odtwarzanie.
4. Jeżeli urządzenie nie może połączyć się za pomocą interfejsu Bluetooth w ciągu 2 minut, naciśnij i przytrzymaj przycisk **▶/SCAN/SELECT** na urządzeniu, aby przeprowadzić ponowną próbę połączenia.
5. Obróć pokrętkę **VOLUME**, aby wybrać żądany poziom.
6. Użyj przycisków **▶/TUN+** lub **◀/TUN-** na urządzeniu lub pilocie, aby wybrać żądany utwór.
7. Aby przerwać odtwarzanie, naciśnij przycisk **▶/SCAN/SELECT**.

*Uwaga: Bluetooth działa najlepiej w promieniu do 10 metrów.*

## OBSŁUGA AUX IN

To urządzenie jest wyposażone w gniazdo AUX IN 3,5 mm, przez które można podłączyć inne źródła dźwięku do tego urządzenia i wzmacnić je.

1. Naciśnij przycisk **FUNC.**, aby wybrać tryb **AUX**.
2. Podłącz kabel audio (brak w zestawie) do gniazda AUX IN, a drugi koniec do gniazda AUDIO OUT zewnętrznego źródła dźwięku.
3. Wyreguluj głośność urządzenia głównego dożądanego poziomu.
4. Naciśnij przycisk PLAY na zewnętrznym źródle dźwięku (np. odtwarzaczu MP3), aby rozpocząć odtwarzanie.

## KONSERWACJA PŁYT KOMPAKTOWYCH

Zawsze używaj płyty kompaktowej z oznaczeniem, jak pokazano..



Uwagi dotyczące obchodzenia się z płytami

- Wyjmuj płytę z opakowania i wkładaj do urządzenia.
- Nie dotykaj odblaskowej powierzchni z nagraniem.
- Nie przyklejaj papieru ani nie zapisuj niczego na powierzchni.
- Nie zginaj płyty.

Przechowywanie

- Przechowuj płytę w jej pudełku.
- Nie wystawiaj płyt na bezpośrednie działanie promieni słonecznych, wysokich temperatur, dużej wilgotności lub zakurzonych miejsc.

Czyszczenie płyty

- Jeżeli płyta ulegnie zabrudzeniu, zetrzyj kurz, brud i odciski palców miękką szmatką.
- Płytę należy czyścić od środka do krawędzi.
- Nigdy nie używaj benzenu, rozcieńczalników, płynu do czyszczenia płyt ani sprayu antystatycznego.
- Upewnij się, że drzwiczki płyty CD są zamknięte, aby soczewka nie została zanieczyszczona kurzem.
- Nie dotykaj soczewki.

## SPECYFIKACJE

### INFORMACJE OGÓLNE

Wymagania dotyczące zasilania	AC 100-240V ~ 60/50Hz DC 12V UM-2/C x 8 szt
Pobór mocy	15 W
Pobór mocy w trybie czuwania	< 0,5 W
Waga	około 1,5 kg
Rozmery	około 346 (szer.) x 240 (dł.) x 148 (wys.) mm
Temperatura pracy	+5°C – +35°C

### SEKCJA ODBIORNIKA

Zakres częstotliwości FM	87,5 – 108 MHz
Zakres częstotliwości DAB+	174,928 – 239,200 MHz

### SEKCJA BLUETOOTH

Zakres częstotliwości BT	2402 – 2480 MHz
EIRP	2,64 dBm

### SEKCJA PŁYT KOMPAKTOWYCH

Przetwornik optyczny	Laser 3-wiązkowy
Pasma przenoszenia	100 Hz – 16 kHz

### SEKCJA AUDIO

Moc wyjściowa	2 x 2 W RMS
---------------	-------------

### AKCESORIA

Broszura z instrukcją, Przewód AC, Zdalne Sterowanie

**ZMIANA SPECYFIKACJI TECHNICZNEJ PRODUKTU ZASTRZEŻONA PRZEZ PRODUCENTA.**

Więcej informacji dotyczących urządzenia oraz serwisu znajduje się na naszej stronie internetowej [www.JVCAUDIO.pl](http://www.JVCAUDIO.pl)



**OSTRZEŻENIE:** ABY UNIKNĄĆ NIEBEZPIECZEŃSTWA POŻARU LUB PORAŻENIA PRĄDEM ELEKTRYCZNYM, NIE WOLNO WYSTAWIAĆ SPRZĘTU NA DZIAŁANIE DESZCZU BĄDŹ WILGOCI. URZĄDZENIE ODBIORCZE ZAWSZE WYŁĄCZYĆ Z GNIAZDKA, KIEDY NIE JEST UŻYWANE LUB PRZED NAPRAWĄ. W URZĄDZENIU NIE MA ŻADNYCH CZĘŚCI, KTÓRE BY MÓGŁ ODBIORCASAMODZIELNIE NAPRAWIAĆ. NAPRAWĘ SPRZĘTU NALEŻY ZLECIĆ ODPOWIEDNIO PRZYGOTOWANEMU SERWISU AUTORYZACYJNEMU. URZĄDZENIE ZNAJDUJE SIĘ POD NIEBEZPIECZNYM NAPIĘCIEM.



NIEBEZPIECZEŃSTWO UDUSZENIA. TOREBKĘ Z PE POŁOŻYĆ W MIEJSCU BĘDĄCYM POZA ZASIĘGIEM DZIECI. TOREBKA NIE SŁUŻY DO ZABAWY! TEGO WORKA NIE NALEŻY UŻYWAĆ W KOŁYSKACH, ŁÓŻECZKACH, WÓZKACH LUB KOJCACH DZIECIĘCYCH.

### Utylizacja zużytego sprzętu

(stosowane w krajach Unii Europejskiej i w pozostałych krajach europejskich stosujących systemy zbiórki)



Ten symbol na produkcie lub jego opakowaniu oznacza, że produkt nie może być traktowany jako odpad komunalny, lecz powinno się go dostarczyć do odpowiedniego punktu zbiórki sprzętu elektrycznego i elektronicznego, w celu recyklingu. Odpowiednie zadysponowanie zużytego produktu zapobiega potencjalnym negatywnym wpływom na środowisko oraz zdrowie ludzi, jakie mogłyby wystąpić w przypadku niewłaściwego zagospodarowania odpadów. Recykling materiałów pomaga chronić środowisko naturalne. W celu uzyskania bardziej szczegółowych informacji na temat recyklingu tego produktu, należy skontaktować się z lokalną jednostką samorządu terytorialnego, ze służbami zagospodarowywania odpadów lub ze sklepem, w którym zakupiony został ten produkt.

Niniejszym ETA a.s. oświadcza, że sprzęt radiowy typu RD-E661B-DAB spełnia wymagania dyrektywy 2014/53/EU. Pełny tekst deklaracji zgodności jest dostępny pod poniższym adresem internetowym: [www.JVCAUDIO.cz/doc](http://www.JVCAUDIO.cz/doc)

## ÚVOD

- Ďakujeme vám za zakúpenie tohto výrobku.
- Prečítajte si prosím tento návod na použitie, aby ste sa dozvedeli, ako správne s prístrojom zaobchádzať. Po prečítaní návodu na použitie ho uložte na bezpečné miesto k možnému neskoršiemu využitiu.

## UPOZORNENIE

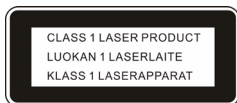
Aby nedošlo k požiaru alebo úrazu elektrickým prúdom, nevystavujte zariadenie dažďu ani vlhkosti. Neotvárajte skriňu prístroja, inak hrozí nebezpečenstvo úrazu elektrickým prúdom. Prenechajte servis kvalifikovaným osobám.

## POZOR

Používanie ovládacích prvkov či úprav alebo aplikácie postupov odlišných od tých, ktoré sú popísané v tomto návode, môže viesť k nebezpečnému ožiareniu.

## NEBEZPEČIE

Po otvorení prístroja a zlyhaní alebo prekonaní bezpečnostných zámkov hrozí ožiarenie neviditeľným laserovým lúčom. Dbajte, aby ste sa lúču priamo nevystavili.



Tento prehrávač kompaktných diskov je klasifikovaný ako LASEROVÝ PRODUKT TRIEDY 1. Štítok LASEROVÝ PRODUKT TRIEDY 1 sa nachádza na vonkajšej strane zadnej časti.

*POZNÁMKA: Výrobca nie je zodpovedný za rušenie rádia alebo televízora spôsobené neoprávnenými úpravami, ktoré môžu viesť k neplatnosti oprávnenia užívateľa toto vybavenie používať.*

- Neinštalujte prístroj na nižšie uvedených miestach:
  - Miesta vystavené priamemu slnku alebo v blízkosti spotrebičov vyžarujúcich teplo, napríklad v elektrických vykurovacích telesách, ani prístroj nestavajte na iné audio zariadenia, ktoré vydávajú príliš veľké množstvo tepla.
  - Nevetrané alebo prašné miesta.
  - Miesta vystavené stálym vibráciám.
  - Vlhké alebo mokré miesta.
- Otočné gombíky a vypínače používajte podľa pokynov v návode.
- Pred prvým zapnutím sa uistite, že je riadne nainštalovaný sieťový kábel.

**UPOZORNENIE:** Ak sú batérie vybité alebo ich nebudete dlhší čas používať, vyberte ich z prístroja. Nesprávne použitie batérií môže spôsobiť únik elektrolytu a koróziu priestoru pre batérie alebo roztrhnutiu batérií, preto:

- Nekombinujte rôzne druhy batérií, napr. alkalické sa zinkovo-uhlíkovými
- Ak inštalujete nové batérie, vymeňte všetky batérie naraz.

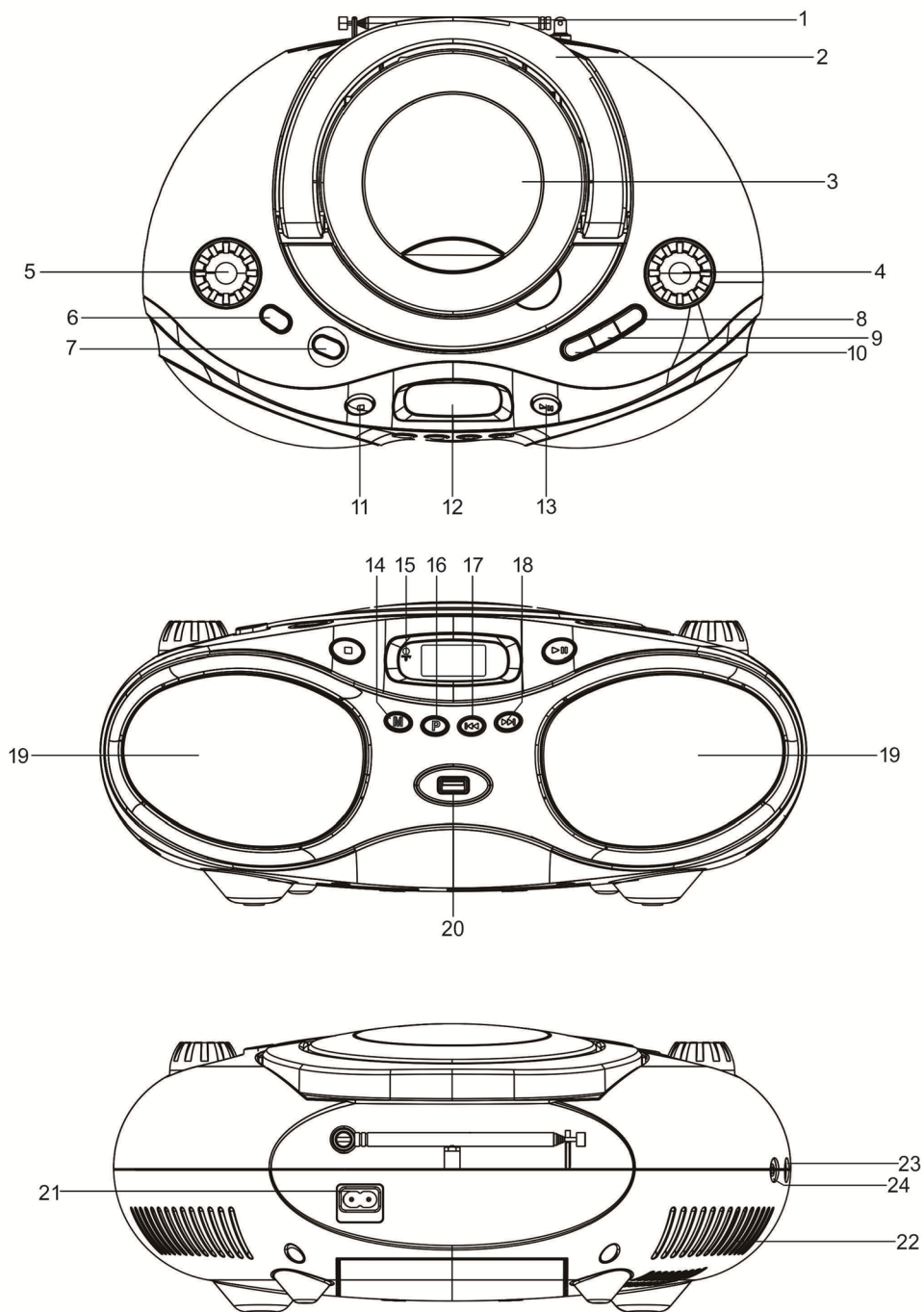
Dbajte, aby nedošlo k prehltnutiu batérie (v priloženom diaľkovom ovládači), hrozí chemické popálenie. Diaľkový ovládač obsahuje gombíkovú batériu. Pokiaľ ju prehltnete, môže to len za 2 hodiny spôsobiť vážne vnútorné popáleniny a smrť.

Nové i použité batérie uchovávajte mimo dosahu detí.

Ak nejde priestor pre batérie bezpečne uzavrieť, prestaňte výrobok používať a chráňte ho pred deťmi.

Ak si myslíte, že mohlo dôjsť k jej prehltnutiu alebo sa mohli dostať do niektorej časti tela, okamžite vyhľadajte lekársku pomoc.

# UMIESTNENIE OVLÁDACÍCH PRVKOV



1. ANTÉNA FM
2. RUKOVÄŤ
3. PRIESTOR PRE CD
4. GOMBÍK LADANIA
5. GOMBÍK OVLÁDANIA HLASITOSTI
6. TLAČIDLO BASS
7. TLAČIDLO STANDBY
8. TLAČIDLO 10/FOLD./M.+
9. TLAČIDLO 10/FOLD./M.-
10. TLAČIDLO FUNC.
11. TLAČIDLO ■/MENU/INFO
12. LCD DISPLEJ
13. TLAČIDLO ►/PAIR/ SELECT
14. TLAČIDLO P-MODE
15. INDIKÁTOR STANDBY
16. TLAČIDLO PROG./MEM.
17. TLAČIDLO ◀◀/TUN-
18. TLAČIDLO ▶▶/TUN+
19. REPRODUKTOR
20. VSTUP USB
21. OTVOR PRE ELEKTRICKÉ NAPÁJANIE
22. VENTILAČNÉ OTVORY
23. KONEKTOR VSTUPU AUX IN
24. KONEKTOR SLÚCHADIEL

## ZDROJ NAPÁJANIA

Tento prístroj je určený k prevádzke na striedavý a jednosmerný prúd.

### PREVÁDZKA NA STRIEDAVÝ ELEKTRICKÝ PRÚD

Užší koniec sieťového kábla zapojte do elektrickej zásuvky pre striedavý prúd na prístroji a veľkú zástrčku zapojte do domovej zásuvky pre striedavý prúd. Batéria sa automaticky odpojí.

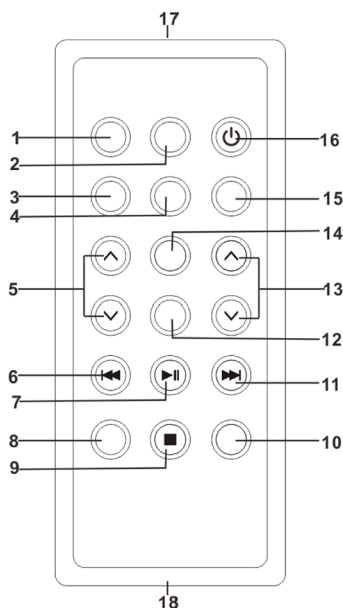
### PREVÁDZKA NA JEDNOSMERNÝ PRÚD

Otvorte kryt priestoru pre batérie. Do priestoru pre batérie inštalujte 8 kusov batérií veľkosti UM-2/C (nie sú priložené). Dodržte správnu polaritu podľa označenia.

### POZOR:

- Ak sú batérie vybité alebo ich nebudete dlhší čas používať, vyberte ich z prístroja.
- Batérie obsahujú chemické látky, preto je potrebné ich správnym spôsobom likvidovať.

## DIALKOVÝ OVLÁDAČ



1. TLAČIDLO FUNC.
2. TLAČIDLO MUTE
3. TLAČIDLO MEMORY
4. TLAČIDLO BASS
5. TLAČIDLO 10/M./ Fold. UP/DOWN
6. TLAČIDLO CD B-SKIP ◀◀/TUN-
7. TLAČIDLO CD ▶/SELECT
8. TLAČIDLO P-MODE
9. TLAČIDLO ■/MENU
10. TLAČIDLO PAIR
11. TLAČIDLO CD F-SKIP ▶▶/TUN+
12. TLAČIDLO ID3
13. TLAČIDLO VOLUME UP/DOWN
14. TLAČIDLO INFO
15. TLAČIDLO MO/ST
16. TLAČIDLO ⏻ STANDBY
17. SENZOR DIALKOVÉHO OVLÁDANIA
18. PRIESTOR PRE BATÉRIE



## POUŽÍVANIE DIAĽKOVÉHO OVLÁDAČA

Ak chcete prístroj ovládať pomocou diaľkového ovládača, nasmerujte ho na senzor na prednom paneli a stlačte príslušné tlačidlo na diaľkovom ovládači.

Diaľkový ovládač funguje najlepšie do vzdialenosti 6 až 7 metrov od čelného panelu a pod uhlom do 30 stupňov. Diaľkové ovládanie môže byť rušené jasným slnečným svetlom alebo svetelnými podmienkami v miestnosti. Ak diaľkové ovládanie funguje zle alebo vôbec, skúste v ňom najprv vymeniť batérie a potom skúste znížiť intenzitu svetla v miestnosti.

## INŠTALÁCIA LITHIOVEJ BATÉRIE DO DIAĽKOVÉHO OVLÁDAČA

Diaľkový ovládač obsahuje jednu lítiiovú batériu CR2025 (3 V).

Pri výmene batérie mierne zatlačte na plošku smerom doprava podľa nákresu a potom vysuňte zásuvku s batériou. Vyberte vybitú batériu a vložte do priestoru na batérie novú lítiiovú batériu (CR-2025) s dodržaním správnej polarity. Potom zasuňte zásuvku s batériou späť na miesto. Budete počuť zaklapnutie a výmena je hotová.

## ZÁKLADNÉ FUNKCIE

### ZAPNUTIE PRÍSTROJA

Po pripojení napájania zapnite prístroj stlačením tlačidla **STANDBY** na prístroji. Stlačením tlačidla **FUNC.** na prístroji alebo diaľkovom ovládači zvolíte funkciu **TUNER / CD / USB / AUX/ DAB** alebo **BLUETOOTH**.

**POZNÁMKA:** Pokiaľ nebudete v režime **CD / USB / AUX / BT** s prístrojom po dobu 15 minút manipulovať, automaticky sa prepne do pohotovostného režimu. Ak budete chcieť prístroj znova zapnúť, stlačte tlačidlo pohotovostného režimu **STANDBY** alebo prístroj vytiahnite zo zásuvky a znova zapojte.

*Tipy pre elektrostatickú elektrinu – V dôsledku elektrostatického výboja môže dôjsť u produktu k dočasnej nefunkčnosti. V takom prípade prístroj resetujte jeho vypnutím a opätovným zapnutím.*

### NASTAVENIE HLASITOSTI

Hlasitosť môžete zvyšovať alebo znižovať otáčaním gombíka **VOLUME** na prístroji alebo stlačením tlačidiel **VOLUME UP/DOWN**.

### FUNKCIA BASOV

Stlačením tlačidla **BASS** na prístroji aktivujete funkciu zvýraznenia basov.

### KONEKTOR SLÚCHADIEL

Ak chcete počúvať v súkromí, zapojte do konektora **SLÚCHADIEL** slúchadlá 3,5 mm (nie sú priložené). Výstup **REPRODUKTOROV** sa automaticky vypne.

**UPOZORNENIE: DLHODOBÉ POČÚVANIE PRI VYSOKEJ HLASITOSTI ŠKODÍ SLUCHU.**

## POUŽÍVANIE RÁDIA FM

### LADENIE ROZHLASOVÝCH STANÍC

1. Stlačením tlačidla **FUNC.** na prístroji alebo diaľkovom ovládači zvolíte funkciu **TUNER**. Tento prístroj je určený LEN pre príjem v pásme FM.
2. Pri otáčaní ladiaceho gombíka **TUNING** na prístroji alebo použití tlačidiel **▶▶/TUN+** alebo **◀◀/TUN-** na diaľkovom ovládači sa na displeji zobrazí frekvencia pásma. Príklad: FM 97.10 MHz. Ak rádio prijíma stereofónny signál, zobrazí sa na displeji slovo „**STEREO**”.
3. Roztiahnite **TELESKOPICKÚ ANTÉNU FM** na plnú dĺžku a mierne posúvajte prístrojom do strán, aby ste získali čo najlepší príjem, alebo prístroj postavte na otvorené miesto.
4. Ak chcete rádio vypnúť, tlačidlom **FUNC.** na prístroji alebo diaľkovom ovládači prepnete na inú funkciu alebo prístroj vypnete stlačením pohotovostného tlačidla **STANDBY**.

### AUTOMATICKÉ NÁJDENIE ROZHLASOVEJ STANICE (VYHĽADÁVANIE)

Po stlačení a podržaní tlačidla **▶▶/SCAN/SELECT** vykoná prístroj automatické vyhľadanie a uloží do pamäte stanice so silným signálom. Po skončení vyhľadávania začne vysieľať stanicu uloženú v pamäti P01. Na nasledujúcu alebo predchádzajúcu uloženú stanicu môžete prepnúť stlačením tlačidla **10/FOLD./M.+** alebo **/M.-** na prístroji alebo diaľkovom ovládači.

### POUŽÍVANIE PAMÄTE PRE ROZHLASOVÉ STANICE

Do predvolieb možno uložiť až 30 rozhlasových staníc (FM) podľa vlastného výberu. Môžete tak začať počúvať požadovanú stanicu priamo a rýchlo, bez toho aby ste ju museli znovu ladiť a vyhľadávať.

1. Otáčaním gombíka ladenie **TUNING** na prístroji zvolíte prvú požadovanú stanicu.
2. Stlačte a podržte tlačidlo **PROG./MEM.** na prístroji alebo tlačidlo **MEMORY** na diaľkovom ovládači. Na displeji sa rozblíka „**PRESET STORE**”. Pomocou tlačidiel **▶▶/TUN+** alebo **◀◀/TUN-** zvolíte požadované číslo predvoľby, kam chcete stanicu uložiť a potom voľbu potvrdíte opätovným stlačením tlačidla **▶▶/SCAN/SELECT**.
3. Vyhľadajte ďalšiu stanicu a opakujte kroky 1 a 2, kým neuložíte všetky požadované stanice. Možno naprogramovať až 30 staníc.
4. Pomocou tlačidiel **10/FOLD./M.+** alebo **/M.-** môžete priamo prepnúť na uloženú stanicu, ktorú si prajete počúvať.

## POUŽÍVANIE RÁDIA DAB

Režim rádia DAB prijíma digitálne rádio DAB/DAB+ a zobrazuje informácie o stanici a naprogramovanej stope pri vysielaní. Stlačte tlačidlo **FUNC** tlačidlo, kým sa na displeji nezobrazí „**Welcome to DAB**”.

### SYSTEM

Nastavenie systému umožňuje vybrať jazyk zobrazenia, obnoviť nastavenie z výroby a zobraziť verziu softvéru.

### JAZYK

Ak chcete vybrať iný jazyk pre zobrazenie oznámenia na displeji, stlačením a podržaním tlačidla **■/MENU/INFO** prejdite do ponuky možností, zvolte možnosť „**Systém**” a potvrdte stlačením tlačidla **▶▶/SCAN/SELECT**. Zvoľte „**Jazyk**” a potom pomocou tlačidiel **▶▶/TUN+** alebo **◀◀/TUN-** zvolte požadovaný jazyk, ktorý sa má zobrazovať. Potvrdte stlačením tlačidla **▶▶/SCAN/SELECT**.

## OBNOVENIE NASTAVENIA Z VÝROBY

Použitím obnovenia nastavenia z výroby môžete vymazať všetky používateľské nastavenia, vrátane zoznamu staníc DAB a prednastavených staníc, a nahradiť ich pôvodnými východiskovými hodnotami. Stlačením a podržaním tlačidla **■/MENU/INFO** prepnite do ponuky možností, zvolte možnosť **“Systém”** a potvrdte stlačením tlačidla **▶▶/SCAN/SELECT**. Zvoľte **“Výrobné nastavenie”** a potom pomocou tlačidla **▶▶/TUN+** alebo **◀◀/TUN-** vyberte možnosť **Áno** alebo **Nie**. Potvrdte stlačením tlačidla **▶▶/SCAN/SELECT**.

## VERZIA SOFTWARU

Tu sa zobrazuje aktuálna verzia softvéru. Stlačením a podržaním tlačidla **■/MENU/INFO** prepnite do ponuky možností, zvolte možnosť **“Systém”** a potvrdte stlačením tlačidla **▶▶/SCAN/SELECT**. Zvoľte **“Verzia softvéru”** a potom stlačením tlačidla **▶▶/SCAN/SELECT** zobrazíte aktuálnu verziu softvéru.

## VYHLÁDÁVANIE STANÍC

1. Ak chcete vykonať úplné vyhľadanie, stlačením a podržaním tlačidla **■/MENU/INFO** prepnite do ponuky možností, zvolte možnosť **“Úplné vyhľadanie”** a stlačením tlačidla **▶▶/SCAN/SELECT** na prístroji výber potvrdte. Po dokončení úplného vyhľadania sa rádio vráti k prehrávaniu skôr vybranej stanice alebo prvej stanici v zozname.
2. Ak chcete vyberať v zozname vyhľadaných staníc, pomocou tlačidiel **▶▶/TUN+** alebo **◀◀/TUN-** môžete prechádzať zoznamom staníc a tlačidlom **▶▶/SCAN/SELECT** voľbu potvrdiť. Zobrazí sa obrazovka se **“Teraz hrá”** s údajmi o novej stanici.
3. Ak chcete odstrániť stanice, ktoré sú v zozname, ale nefungujú, stlačením a podržaním tlačidla **■/MENU/INFO** prejdite do ponuky možností, vyberte možnosť **“Premazať”** a potvrdte stlačením tlačidla **▶▶/SCAN/SELECT**. Pomocou tlačidiel **▶▶/TUN+** alebo **◀◀/TUN-** vyberte možnosť **ÁNO** alebo **NIE** a potvrdte stlačením tlačidla **▶▶/SCAN/SELECT**. Odstráni sa všetky neplatné stanice, ktoré sú v zozname označené symbolom **“?”** pred názvom stanice.

## PREDVOLENÉ STANICE

Ak chcete uložiť stanicu do pamäti, naladte stanicu, ktorú chcete uložiť ako predvoľbu, a stlačte tlačidlo **PROG./MEM.** na prístroji, kým sa na displeji nezobrazí **“Predv. uložiť”**. Tlačidlami **▶▶/TUN+** alebo **◀◀/TUN-** vyberte pozíciu pre pamäť predvoľby (napríklad **“Predvoľba 1”**) a potvrdte stlačením tlačidla **▶▶/SCAN/SELECT**. Opakovaním tohto postupu môžete do predvoľieb uložiť až 30 staníc.

## MANUÁLNE LADENIE

Pri manuálnom ladení prepnite do ponuky možností stisnutím a podržaním tlačidla **■/MENU/INFO**. Zvoľte možnosť **“Ručné ladenie”** a potvrdte stisnutím tlačidla **▶▶/SCAN/SELECT**. Pomocou tlačidiel **▶▶/TUN+** alebo **◀◀/TUN-** naladte požadované stanice.

## INFORMÁCIE O PRÁVE PREHRÁVANEJ STANICI

Počas prehrávania stanice sa na obrazovke zobrazuje jej názov a informácie DLS vysielané stanicou, napríklad názov programu, názov stopy a ďalšie údaje. Ak chcete zobrazíť ďalšie informácie, stlačte tlačidlo **■/MENU/INFO**. Po každom stlačení sa zobrazí ďalšia sada informácií, a to v postupnosti: text DLS, informácie DL Plus (zobrazí sa, len ak ju príslušná stanica vysielá), intenzita signálu, typ programu, názov multiplexu, číslo / frekvencia kanála, chybovosť signálu a bitová rýchlosť.

## KOMPRESIA DYNAMICKÉHO ROZSAHU (DRC)

Táto funkcia pomáha znížiť rozdiel medzi najhlasnejším a najtichším vysielaným zvukom. Vďaka tomu sú tichšie zvuky relatívne hlasnejšie a hlasné zvuky relatívne tichšie. V tomto nastavení sú k dispozícii dve možnosti, a to **DRC** a **Vyp**. Ak chcete zmeniť nastavenie DRC, stlačte a podržte tlačidlo **■/MENU/INFO**, čím prepnete do ponuky možností, zvolte možnosť **“DRC”** a potom tlačidlom **▶▶/SCAN/SELECT** vyberte požadovanú možnosť.

## POUŽÍVANIE CD/MP3

### DISKY PRE PREHRÁVANIE

Tento prístroj je schopný prehrávať všetky digitálne zvukové CD, MP3, finalizované digitálne zapisovateľné audio disky (CD-R), finalizované digitálne prepisovateľné audio disky (CD-RW) a digitálne audio disky CD, CD-R a CD-RW formátované ako CD-DA.

### VLOŽENIE DISKU

1. Stlačením tlačidla **FUNC**, zvolte režim **CD**.
2. Otvorte priestor pre CD. Na displeji sa zobrazí **“OPENEN”** (Otvorené).
3. Vložte na tanier CD potlačenou stranou smerom nahor.
4. Zatvorte tanier CD. Displej zobrazí blikajúce oznámenie **“CD--READING”** (Načítavanie CD), potom sa ukáže celkový počet skladieb a spustí sa prehrávanie od prvej stopy.
5. Ak chcete CD vybrať, stlačte tlačidlo **■/MENU/INFO** a otvorte tanier CD. Uchopte CD za okraje a opatrne ho vyberte.

*Poznámka:*

*Pred otvorením priestoru pre CD sa uistíte, že sa disk zastavil.*

*Ak chcete zabezpečiť dobrý výkon systému, počkajte pred ďalšími úkonmi, až prístroj kompletne načíta disk.*

*Ak nie je vložený žiadny disk alebo nie je možné ho načítať, na displeji sa zobrazí **“NO DISC”**.*

### PREHRÁVANIE DISKU

1. Po načítaní disku začne automatické prehrávanie od stopy 1.
2. Ak chcete prehrávanie pozastaviť, stlačte tlačidlo **▶▶/SCAN/SELECT**. Na displeji bude blikať aktuálna doba prehrávania a slovo „PLAY“ (Prehrať). Prehrávanie obnovíte opätovným stlačením tlačidla **▶▶/SCAN/SELECT**.
3. Ak chcete prehrávanie zastaviť, stlačte tlačidlo **■/MENU/INFO**. Na displeji sa zobrazí celkový počet stôp.

### VOĽBA POŽADOVANEJ STOPY/PASÁŽE

#### Voľba požadovanej stopy

Stlačte opakovane tlačidlo **▶▶/TUN+** alebo **◀◀/TUN-** v režime zastavenia alebo počas prehrávania, až kým sa na displeji neobjaví požadovaná stopa. Prehrávanie sa spustí automaticky

#### Vyhľadanie určitej pasáže počas prehrávania (prehľadávanie stopy vysokou rýchlosťou)

Stlačením a podržaním tlačidla **▶▶/TUN+** alebo **◀◀/TUN-** môžete aktuálne prehrávanú stopu prehľadávať vysokou rýchlosťou, kým nenarazíte na požadovanú pasáž. Potom tlačidlo pustíte. Prehrávanie sa spustí znovu od tohto bodu.

#### Voľba skladby, ktorej číslo stopy je vyššie ako 10 (len pre USB/MP3)

Ak chcete vybrať skladbu / stopu, ktorej číslo je vyššie ako 10, pri každom stlačení tlačidla **10/FOLD./M.+** alebo **/M.-** preskočíte o 10 stôp smerom vpred alebo vzad. Potom pomocou tlačidiel **▶▶/TUN+** alebo **◀◀/TUN-** zvolte požadovanú stopu.

## Voľba požadovanej zložky (pre USB/MP3, ktoré obsahujú viac než jednu zložku)

Požadovanú zložku vyberiete stlačením a podržaním tlačidla **10/FOLD./M.+** alebo **/M.-**, ktorým sa presuniete na ďalšiu / predchádzajúcu zložku.

## PROGRAMOVANIE STÔP

Programovanie skladieb na disku je možné, ak je zastavené prehrávanie. Do pamäte je možné uložiť až 20 stôp na CD alebo 99 stôp na disku MP3, a to v ľubovoľnom poradí.

1. V režime zastavenia prepnete stlačením tlačidla **PROG./MEM.** na nastavenie programovania. Na displeji bude blikať logo “**MEM**” (Pamäť) a “**P01**”.
2. Pomocou tlačidla CD **▶▶/TUN+** alebo **◀◀/TUN-** / **10/FOLD./M.+** alebo **/M.-** zvolíte prvú požadovanú stopu, ktorá sa má naprogramovať.
3. Stlačte opäť tlačidlo **PROG./MEM.** Na displeji sa zobrazí “**P02**”.
4. Opakovaním krokov 1 a 3 ukladajte ďalšie stopy, kým nenaprogramujete všetky požadované stopy.
5. Stlačením tlačidla **▶▶/SCAN/SELECT** spustíte prehrávanie od prvej naprogramovanej skladby.
6. Pomocou tlačidiel **▶▶/TUN+** alebo **◀◀/TUN-** zvolíte ďalšiu/predchádzajúcu naprogramovanú stopu.
7. Naprogramované prehrávanie zastavíte stlačením tlačidla **■ /MENU/INFO.**

Ak chcete program vymazať, môžete stlačiť tlačidlo **■ /MENU/INFO**, ako náhle sa disk zastaví alebo otvorte priestor pre CD. Program sa vymaže.

## OPAKOVANIE

### Opakovanie jednej stopy

1. Počas prehrávania stlačte tlačidlo **P-MODE**. Na displeji sa zobrazí “**REP-1**” (Opakovanie jednej stopy) a aktuálna stopa sa bude neustále opakovane prehrávať, kým nestlačíte tlačidlo **■ /MENU/INFO**.
2. Ak chcete funkciu opakovania zrušiť, stlačte tlačidlo **P-MODE** na prístroji, dokiaľ z displeja nezmizne “**REP-1**”.

### Opakovanie všetkých stôp

1. Opakovane stláčajte tlačidlo **P-MODE**, dokiaľ nebude na displeji neprerušovane svietiť “**REP-ALL**” (Opakovanie všetkého). Budú sa neustále opakovane prehrávať všetky stopy na disku, kým nestlačíte tlačidlo **■ /MENU/INFO**.
2. Ak chcete funkciu opakovania zrušiť, stlačte tlačidlo **P-MODE** na prístroji, dokiaľ z displeja nezmizne “**REP-ALL**”.

### Opakovanie aktuálnej zložky (pre USB/MP3, ktoré obsahujú viac než jednu zložku)

1. Opakovane stláčajte tlačidlo **P-MODE**, dokiaľ nebude na displeji neprerušovane svietiť “**REP-DIR**” (Opakovanie adresára). Bude sa neustále opakovane prehrávať aktuálny priečinok, kým nestlačíte **■ /MENU/INFO**.
2. Ak chcete funkciu opakovania zrušiť, stlačte tlačidlo **P-MODE** na prístroji, dokiaľ z displeja nezmizne “**REP-DIR**”.

## PREHRÁVANIE V NÁHODNOM PORADÍ

Stlačte tlačidlo **P-MODE**, dokiaľ nebude na displeji neprerušovane svietiť “**SHUFFLE**” (Náhodné prehrávanie). Náhodné prehrávanie sa automaticky spustí od nasledujúcej stopy a bude pokračovať, kým sa neprehrajú všetky stopy. Potom sa prehrávanie zastaví. Ak chcete opakované prehrávanie zrušiť, stlačte tlačidlo **P-MODE**, kým z displeja nezmizne “**SHUFFLE**”.

## PREHRANIE ZAČIATKOV STÔP (INTRO)

Stláčaním tlačidla **P-MODE** dokiaľ nebude na displeji nepreušovane svietiť **“INTRO”** (Prehranie začiatkov stôp). Spustí sa prehrávanie začiatkov stôp, pričom sa prehrá vždy 10 sekúnd každej stopy. Ak chcete prehrávanie začiatkov stôp zrušiť, stlačte tlačidlo **P-MODE**, kým z displeja nezmizne **“INTRO”**.

## POUŽÍVANIE USB

1. Stláčením tlačidla **FUNC.** zvolíte režim **USB**.
2. Ku **VSTUPU USB** pripojte zariadenie USB. Displej LCD zobrazí celkový počet stôp uložený na USB. Po načítaní zariadenie USB spustí prístroj automaticky prehrávanie.
3. Ak chce prehrávanie pozastaviť, stlačte tlačidlo **▶/SCAN/SELECT**. Na displeji sa zobrazí aktuálna doba prehrávania. Prehrávanie obnovíte opätovným stláčením tlačidla **▶/SCAN/SELECT**.
4. Prehrávanie zastavíte stláčením tlačidla **■/MENU/INFO**. Displej zobrazí celkový počet stôp a priečinkov na zariadení USB.
5. Ďalej môžete pokračovať opakovaným prehrávaním (opakovanie stopy - opakovanie zložky - opakovanie všetkého - náhodné prehrávanie- prehranie začiatkov stôp), ako je popísané v časti **POUŽÍVANIE CD/MP3**.

**POZOR:** Prístroj podporuje 32 GB (USB). Aby nedošlo ku škodlivému rušeniu, nepoužívajte na pripojenie zariadenia USB k prístroju predlžovacie káble USB.

## POUŽÍVANIE BLUETOOTH

1. Stláčením tlačidla **FUNC.** prepnete na funkciu **BLUETOOTH**. Na LCD displeji sa zobrazí **“BT MODE”** (Režim Bluetooth) s blikajúcim slovom **“UNCONNECT”** (Nepripojené). Zapnite funkciu Bluetooth na zariadení, vyhľadajte prístroj „**JVC RD-E661B-DAB**“ / „**JVC RD-E661W-DAB**“ a preveďte pripojenie. Zadaťte heslo 0000, ak je vyžadované. Po dokončení pripojenia bude na displeji trvale svietiť **“BT MODE CONNECT”** (Režim Bluetooth pripojené).
2. Prehrávanie spustíte stláčením tlačidla **▶/SCAN/SELECT** na prístroji alebo tlačidla pre prehrávanie na pripojenom zariadení.
3. Pokiaľ nedôjde k spojeniu prístroja pomocou funkcie Bluetooth do 2 minút, stlačte a podržte tlačidlo **▶/SCAN/SELECT** na prístroji, čím sa pokus o prepojenie zopakuje.
4. Otláčaním gombíka hlasitosti **VOLUME** nastavte hlasitosť na požadovanú úroveň.
5. Pomocou tlačidiel **▶/TUN+** alebo **◀/TUN-** na prístroji alebo na diaľkovom ovládači zvolte požadovanú stopu.
6. Ak chcete prehrávanie zastaviť, stlačte tlačidlo **▶/SCAN/SELECT**.

*Poznámka: Bluetooth najlepšie funguje do vzdialenosti 10 metrov.*

## POUŽÍVANIE EXTERNÉHO VSTUPU AUX-IN

Prístroj má konektor externého vstupu 3,5 mm, s ktorého pomocou je možné k prístroju pripojiť a zosilniť ďalšie zdroje zvuku.

1. Stláčením tlačidla **FUNC.** zvolíte režim **AUX** (Externý vstup).
2. Pripojte do konektoru externého vstupu **AUX IN** audio kábel (nie je priložený) a druhý koniec zapojte do konektoru zvukového výstupu externého zdroja zvuku.
3. Upravte hlasitosť hlavnej jednotky na požadovanú úroveň.
4. Prehrávanie spustíte stláčením tlačidla **PLAY** externého zariadenia (napr. prehrávača MP3).

## ÚDRŽBA KOMPAKTNÉHO DISKU

Používajte vždy kompaktné disky s označením podľa obrázku.



Poznámky ku kompaktným diskom:

- Pri vyberaní disku z jeho obalu a vkladaní do prehrávača sa nedotýkajte lesklého povrchu disku s nahrávkou.
- Na povrch disku nič nelepte ani nepíšte.
- Disk neohýbajte.

Uskladnenie

- Skladujte disk v jeho obale.
- Nevystavujte disky priamemu slnku ani vysokej teplote, vysokej vlhkosti a prachu.

Čistenie disku

- Ak dôjde k znečisteniu disku, utrite prach, nečistoty a odtlačky prstov mäkkou tkaninou.
- Disk je potrebné čistiť od stredu k okrajom.
- Nikdy nepoužívajte benzén, riedidlá, tekutiny na čistenie dosiek ani antistatické spreje.
- Uistite sa, že dvierka priestoru pre CD sú vždy zatvorené, aby nedošlo k znečisteniu šošovky prachom.
- Nedotýkajte sa šošovky.

## TECHNICKÉ ŠPECIFIKÁCIE

### VŠEOBECNÉ

Napájanie	AC 100-240V ~ 60/50Hz DC 12V UM-2/C x 8 ks
Príkonnosť	15 W
Príkonnosť v pohotovostnom režime	< 0,5 W
Hmotnosť	približne 1,5 kg
Rozmery	približne 316 (Š) x 240 (H) x 148 (V) mm
Prevádzková teplota	+5°C – +35°C

### SEKCIA PRIJÍMAČA

Kmitočtový rozsah FM	87,5 – 108 MHz
Kmitočtový rozsah DAB+	174,928 – 239,200 MHz

### SEKCIA BLUETOOTH

Kmitočtový rozsah BT	2402 – 2480 MHz
EIRP	2,64 dBm

### SEKCIA KOMPAKTNÉHO DISKU

Optický snímač	3 – paprskový laser
Kmitočtová odozva	100 Hz – 16 kHz

### SEKCIA AUDIO

Výstupný výkon	2 x 2 W RMS
----------------	-------------

### PRÍSLUŠENSTVO

Návod na použitie, Sieťový kábel, Diaľkový ovládač

**VÝROBCA SI VYHRADZUJE PRÁVO NA ZMENU TECHNICKEJ ŠPECIFIKÁCIE VÝROBKU.**





**VAROVANIE:** NEVYSTAVUJTE SPOTREBIČ DAŽĎU ALEBO VLHKOSTI, ABY STE PREDIŠLI VZNIKU POŽIARU ALEBO ÚRAZU ELEKTRICKÝM PRÚDOM. PRED OPRAVOU ALEBO VŽDY, KEĎ SPOTREBIČ NEPOUŽÍVATE, VYPNITE HO ZO ZÁSUVKY. V PRÍSTROJI NIESÚ ŽIADNE ČASTI OPRAVITEĽNÉ SPOTREBITEĽOM. VŽDY SA OBRACAJTE NA KVALIFIKOVANÝ AUTORIZOVANÝ SERVIS. SPOTREBIČ JE POD NEBEZPEČNÝM NAPÄTÍM.



NEBEZPEČENSTVO UDUSENIA. PE VRECKO ODKLADAJTE MIMO DOSAHU DETÍ. VRECKO NIE JE NA HRANIE. NEPOUŽÍVAJTE TOTO VRECÚŠKO V KOLÍSKACH, POSTIELKACH, KOČÍKACH ALEBO DETSKÝCH OHRÁDKACH.

### Likvidácia starých elektrických a elektronických zariadení (Vzťahuje sa na Európsku úniu a európske krajiny so systémami oddeleného zberu)



Tento symbol na výrobku alebo obale znamená, že s výrobkom po ukončení jeho životnosti nemôže byť nakladané ako s bežným odpadom z domácnosti. Musí sa odovzdať do príslušnej zberne na recykláciu elektrických a elektronických zariadení. Zaručením správnej likvidácie tohto výrobku pomôžete pri predchádzaní potenciálnych negatívnych dopadov na životné prostredie a na zdravie človeka, ktoré by mohli byť zapríčinené nevhodným zaobchádzaním s odpadmi z tohto výrobku. Recyklovaním materiálov pomôžete zachovať prírodné zdroje. Podrobnejšie informácie o recyklácii tohto výrobku vám na požiadanie poskytne miestny úrad, služba likvidácie komunálneho odpadu alebo predajňa, v ktorej ste si tento výrobok zakúpili.

Týmto ETA a.s. prehlasuje, že typ rádiového zariadenia RD-E661B-DAB je v súlade so smernicou 2014/53/EU. Úplné znenie prehlásenia o zhode EÚ je k dispozícii na tejto internetovej adrese: [www.JVCAUDIO.cz/doc](http://www.JVCAUDIO.cz/doc)

## BEVEZETÉS

- Köszönjük, hogy a mi készülékünket választotta!
- Kérjük olvassa el a használati utasítást figyelmesen, a készülék megfelelő használatára érdekében! Elolvasás után tárolja a kézikönyvet biztonságos helyen a későbbi használatához!

## FIGYELEM

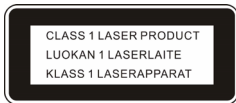
Tűz, vagy áramütés elkerülése érdekében ne tegye ki a készüléket víznek, vagy nedvességnek! Ne nyissa ki a készüléket, minden szervizelést szakember végezzen!

## FIGYELEM

Az itt meghatározottaktól eltérő kezelőszervek, beállítások, vagy eljárások végrehajtása veszélyes sugárzáshoz vezethet!

## VESZÉLY

Láthatatlan lézersugárzás jön létre a készülék nyitásánál, vagy meghibásodásánál. Kerülje el a közvetlen sugárzást!



Ez a CD lejátszó az 1. osztályú LÉZER TERMÉKEK közé tartozik. AZ 1. OSZTÁLYÚ LÉZER TERMÉK címke a hátsó oldalon található.

*MEGJEGYZÉS: A gyártó nem vállal felelősséget az illetéktelen módosítások által okozott rádió- vagy TV-interferenciáért, amelyek érvényteleníthetik a felhasználó jogát a berendezés üzemeltetésére!*

- Kerülje a készülék telepítését az alábbiakban leírt helyekre:
  - Helyek, amelyek közvetlen napfénynek vannak kitéve, vagy hőt sugárzó készülékek, például elektromos fűtőberendezések közelében, a túl sok hőt kibocsátó berendezések tetejére.
  - Nem megfelelő szellőzésű, vagy poros helyek.
  - Állandó rezgésnek kitett helyek.
  - Vizes, vagy nedves helyek.
- A vezérlőket és kapcsolókat a kézikönyv utasításainak megfelelően használja.
- A készülék első bekapcsolása előtt ellenőrizze, hogy a tápkábel csatlakozása megfelelő-e.

**FIGYELEM:** Vegye ki az elemeket, ha lemerültek, vagy ha hosszabb ideig nem használja a készüléket! Az elemek nem megfelelő használata elektrolit szivárgást okozhat, és korrodálhatja az elemtartót, az elem felrobbanhat! Ezért:

- Ne keverje az elemtípusokat, pl. cink-karbonát és lúgos!
- Új elemek behelyezésekor az összes elemet egyszerre cserélje ki!

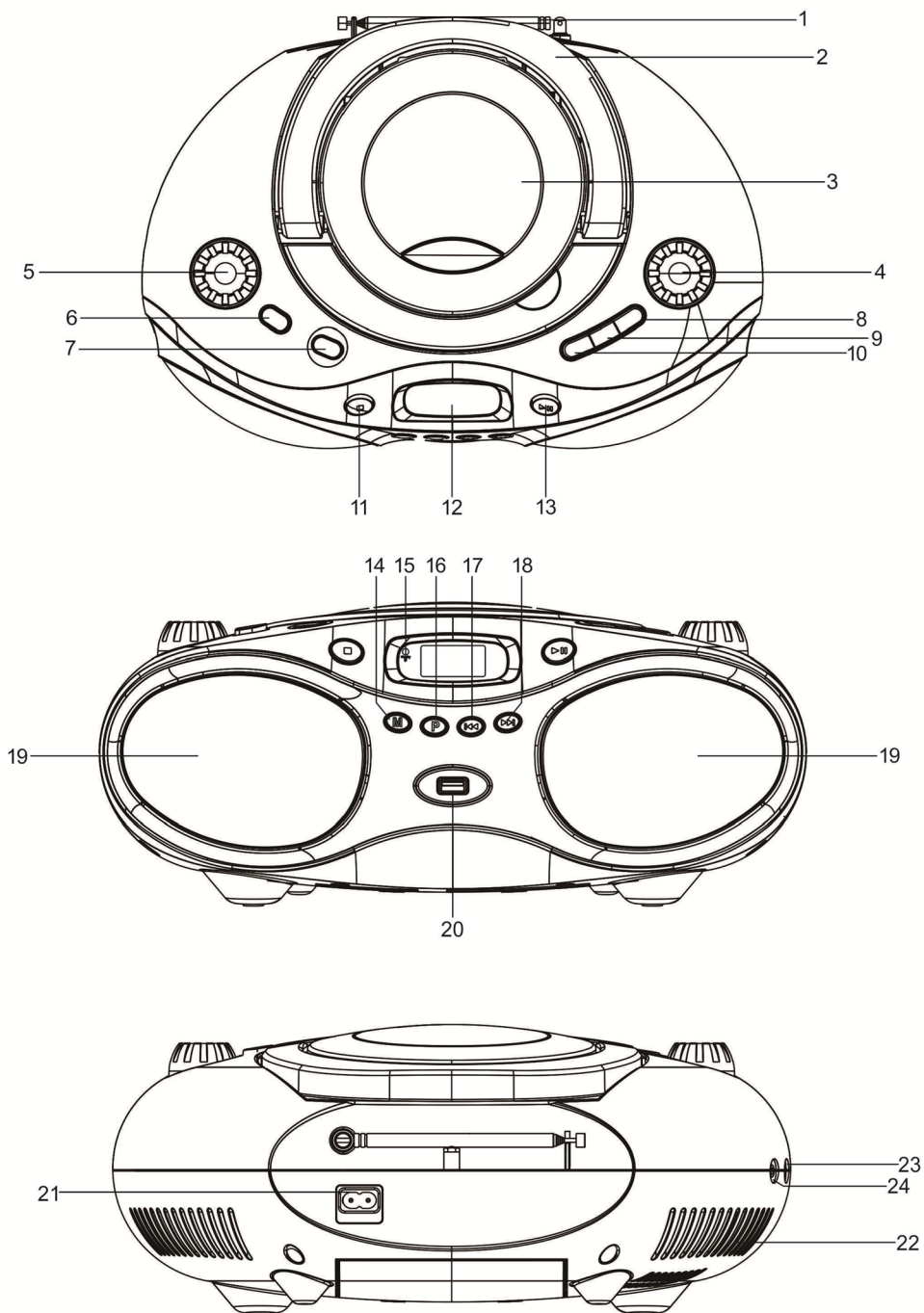
Ne nyelje le az elemet! A lenyelt elem kémiai égést okozhat! (Távírányítóban lévő elem.) Ez a termék gomb elemet tartalmaz. Ha lenyeli a gombelemet, az 2 órán belül súlyos belső égési sérüléseket okozhat, és halálhoz vezethet!

Az új és használt elemeket tartsa gyermekektől távol!

Ha az elemtartó nem záródik biztonságosan, ne használja tovább a terméket, és tartsa azt gyermekektől távol!

Ha úgy gondolja, hogy az elemeket lenyelte, vagy a test bármely részébe került, azonnal forduljon orvoshoz!

# KÉSZÜLÉK LEÍRÁSA



1. FM ANTENNA
2. FOGANTYÚ
3. CD REKESZ
4. TUNING (HANGOLÁS)
5. VOLUME (HANGERŐ)
6. BASS GOMB
7. STANDBY GOMB
8. 10/FOLD./M.+ GOMB
9. 10/FOLD./M.- GOMB
10. FUNC. GOMB
11. ■/MENU/INFO GOMB
12. LCD KIJELZŐ

13. ►/PAIR/ SELECT GOMB
14. P-MODE GOMB
15. STANDBY INDIKÁTOR
16. PROG./MEM. GOMB
17. ◀◀/TUN- GOMB
18. ▶▶/TUN+ GOMB
19. HANGSZÓRÓ
20. USB ALJZAT
21. AC ALJZAT
22. SZELLŐZŐ NYÍLÁSOK
23. AUX IN AJZAT
24. FEJHALLGATÓ KIMENET

## TÁPELLÁTÁS

Ez a készülék AC/DC árammal működik.

## AC MŰKÖDÉS

Az AC tápkábel egyik végét dugja be a készüléken lévő AC aljzatba, másik végét a hálózati konnektorba!

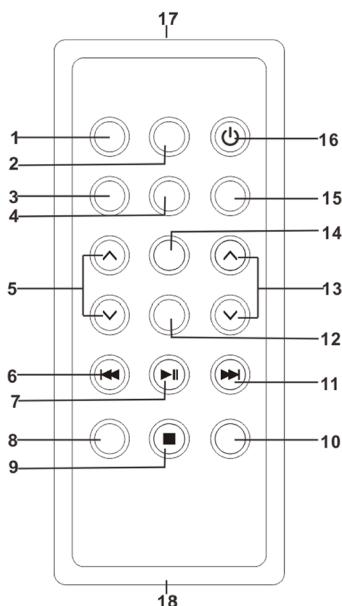
## DC MŰKÖDÉS

Nyissa ki az ELEMERTARTÓ FEDELÉT! Helyezze be a 8 db UM-2/C méretű elemet (nincs a csomagolásban) az elemtartóba! Figyeljen a megfelelő polaritásra!

## FIGYELEM

- Vegye ki az elemeket, ha lemerültek, vagy ha hosszabb ideig nem használja a készüléket!
- Az elemek vegyi anyagokat tartalmaznak, ezért azokat megfelelő módon kell megsemmisíteni.

## TÁVIRÁNYÍTÓ



1. FUNC. GOMB
2. MUTE GOMB
3. MEMORY GOMB
4. BASS GOMB
5. 10/M./ Fold. UP/DOWN GOMB
6. CD B-SKIP ◀◀/TUN- GOMB
7. CD ►►/SELEC GOMB
8. P-MODE GOMB
9. ■/MENU GOMB
10. PAIR GOMB
11. CD F-SKIP ▶▶/TUN+ GOMB
12. ID3 GOMB
13. VOLUME UP/DOWN GOMB
14. INFO GOMB
15. MO/ST GOMB
16. ⏻ STANDBY GOMB
17. SZENZOR
18. ELEMERTARTÓ

## TÁVIRÁNYÍTÓ MŰKÖDÉSE

Ha szeretné távirányítóval vezérelni a készüléket, irányítsa a távirányítót a készülék első oldalán lévő szenzorra és használja a megfelelő gombokat a távirányítón.

A távirányító legjobban az előlő paneltől 6-7 méteres távolságban és 30 fokos szögben működik. A ragyogó napfény, vagy a szoba fényviszonyai zavarhatják a távirányító működését. Ha a távirányító működése nem megfelelő, vagy teljesen leáll, először próbálja meg kicserélni az elemeket, utána próbálja csökkenteni a helyiség megvilágítási viszonyait.

## LÍTIUM ELEM TELEPÍTÉSE A TÁVIRÁNYÍTÓBA

A távirányító 1 db CR2025(3V) típusú elemmel működik.

Az elem cseréjéhez finoman nyomja a zárat a megfelelő irányba az utasításoknak megfelelően, majd húzza ki az elemtartót. Vegye ki a lemerült elemet, és helyezzen be egy új lítium elemet (CR-2025) a rekeszbe megfelelő polaritással. Majd tolja vissza a rekeszt a helyére egy „kattanás” hanggal, amely a telepítés befejezését jelzi.

## ALAP MŰKÖDÉS

### KÉSZÜLÉK BEKAPCSOLÁSA

A tápkábel csatlakozása után nyomja meg a készüléken lévő **STANDBY** gombot a készülék bekapcsolásához. A távirányítón, vagy a készüléken lévő **FUNC.** gombbal válasszon a következő funkciók közül: **TUNER / CD / USB / AUX/ DAB**, vagy **BLUETOOTH**.

**MEGJEGYZÉS:** **CD / USB / AUX / BT** módban, ha a készülék több, mint 15 percen keresztül nem működik, automatikusan belép készenléti módba. Ha szeretné a készüléket újra bekapcsolni, nyomja meg a **STANDBY** gombot.

***ESD tipp**ek – Lehetséges, hogy a termék működése megáll az elektrosztatikus kisülés miatt. Ebben az esetben csak kapcsolja ki és csatlakoztassa újra.*

### HANGERŐ BEÁLLÍTÁSA

Forgassa el a készüléken lévő **VOLUME** gombot, vagy a távirányítón lévő **VOLUME UP/DOWN** gombot a hangerő beállításához!

### BASS FUNKCIÓ

Nyomja meg a készüléken lévő **BASS** gombot a basszus effektus aktiválásához!

### FÜLHALLGATÓ ALJZAT

Ha szeretné privátban hallgatni a zenét, csatlakoztassa a 3.5mm-es fülhallgatót (nincs a csomagolásban) a FÜLHALLGATÓ aljzatba. A HANGSZÓRÓ automatikusan kikapcsol.

***FIGYELEM:** HOSSZÚ TÁVÚ ZENE HALLGATÁS MAGAS HANGERŐVEL HALLÁSKÁROSODÁST OKOZHAT!*

## FM RÁDIÓ MŰKÖDÉS

### RÁDIÓ CSATORNÁK HANGOLÁSA

1. **FUNC.** gombbal válassza ki a **TUNER** funkciót, a készülék CSAK FM sávban működik.
2. A készüléken lévő **TUNING** gomb forgatásával, vagy a távirányítón lévő **►►/TUN+**, vagy **◄◄/TUN-** gomb megnyomásával keresse meg a kívánt csatornát. A kijelzőn a csatorna frekvenciája jelenik meg. Pl.: FM 97.10 MHz. Ha sztereó jel fogadása lehetséges, **“STEREO”** felirat jelenik meg a kijelzőn.
3. Húzza ki az FM TELESZKÓPOS ANTENNÁT teljesen és enyhén mozgassa a készüléket a legjobb jel vétele érdekében. Ha szükséges, helyezze a készüléket nyílt területre.

4. Rádió kikapcsolásához, más funkció bekapcsolásához, nyomja meg a **FUNC.** gombot, vagy nyomja meg a **STANDBY** (készenlét) gombot a készülék teljes kikapcsolásához.

## RÁDIÓ AUTO SZKENNELÉS (KERESÉS)

Nyomja meg és tartsa megnyomva a **►/SCAN/SELECT** gombot, majd a készülék elkezd az erős jelű csatornákat keresni. Keresés befejezése után a P01 pozíción lévő csatorna lejátszása elkezdődik. Nyomja meg **10/FOLD./M.+**, vagy **/M.-** gombot az előző, vagy következő csatorna hallgatásához.

## RÁDIÓ CSATORNÁK MEMÓRIÁJA

Akár 30 (FM) rádió csatorna menthető a memóriába kívánság szerint. A mentett csatornákat gyorsan el lehet indítani, nem szükséges azokat újra keresni.

1. A **TUNING** gombbal keresse meg a kívánt csatornát.
2. Nyomja meg és tartsa megnyomva a **PROG./MEM.** gombot, vagy a távirányítón lévő **MEMORY** gombot, a **“PRESET STORE”** felirat villogni fog a kijelzőn. Nyomja meg a **►/TUN+**, vagy **◄/TUN-** gombot a kívánt csatorna kiválasztásához, utána nyomja meg a **►/SCAN/SELECT** gombot a csatorna mentéséhez.
3. Következő csatorna mentéséhez ismételje az 1 & 2 lépéseket, amíg le nem mentette az összes menteni kívánt csatornát. Akár 30 csatornát lehet a memóriába menteni.
4. **10/FOLD./M.+**, vagy **/M.-** gombbal indítsa el a mentett csatorna lejátszását.

## DAB RÁDIÓ MŰKÖDÉSE

DAB rádió módban a készülék képes DAB/DAB+ digitális rádió jelet fogadni és a csatornáról/zenezámról való információkat megjeleníteni. Nyomja meg a **FUNC.** gombot amíg a kijelzőn meg nem jelenik a **“Welcome to DAB”** felirat.

## RENDSZER

A rendszer beállításai lehetővé teszik a nyelv kiválasztását, alapértelmezett beállításba való visszaállítást és szoftver verzió megjelenését.

## NYELV

Kívánt nyelv kiválasztása lehetséges. Nyomja meg és tartsa megnyomva a **■/MENU/INFO** gombot a menübe való belépéshez, válassza ki a **“Rendszer”** opciót és nyomja meg a **►/SCAN/SELECT** gombot a belépéshez. Válassza ki a **“Nyelv”** opciót, utána **►/TUN+**, vagy **◄/TUN-** gombbal válassza ki a kívánt nyelvet. Utána nyomja meg a **►/SCAN/SELECT** gombot a megerősítéshez.

## ALAPÉRTELMEZETT BEÁLLÍTÁS

A gyári beállítások visszaállítása segíthet az összes felhasználó által megadott beállítás törlésében, helyettesítve azokat az eredeti alapértelmezett értékekkel, beleértve a DAB csatornalistát és az előre beállított csatornákat. Nyomja meg és tartsa megnyomva a **■/MENU/INFO** gombot a menübe való belépéshez, válassza ki a **“Rendszer”** opciót és nyomja meg a **►/SCAN/SELECT** gombot a belépéshez. Válassza ki a **“Gyári beállítás”** opciót, **►/TUN+**, vagy **◄/TUN-** gombbal **IGEN**, vagy **NEM** opciót, utána nyomja meg **►/SCAN/SELECT** gombot a megerősítéshez.

## SZOFTVER VERZIÓ

Aktuális szoftver verzió megjelenítése. Nyomja meg és tartsa megnyomva a **■/MENU/INFO** gombot a menübe való belépéshez, válassza ki a **“Rendszer”** opciót és nyomja meg a **▶▶/SCAN/SELECT** gombot a belépéshez. Válassza ki a **“Szoftver verzió”** opciót, utána nyomja meg a **▶▶/SCAN/SELECT** gombot az aktuális szoftver verzió megjelenítéséhez.

## CSATORNÁK KERESÉSE

1. Teljes kereséshez nyomja meg és tartsa megnyomva a **■/MENU/INFO** gombot a menübe való belépéshez, válassza ki a **“Teljes keresés”** opciót és nyomja meg a készüléken lévő **▶▶/SCAN/SELECT** gombot a megerősítéshez. Teljes keresés befejezése után a rádió visszalép az előző csatornához, vagy a listából az első csatornához.
2. A listából való kiválasztáshoz nyomja meg a **▶▶/TUN+**, vagy **◀◀/TUN-** gombot, válassza ki a kívánt csatornát és nyomja meg a **▶▶/SCAN/SELECT** gombot a megerősítéshez. A kijelzőn a kiválasztott csatorna adatai jelennek meg.
3. Nem elérhető csatornák eltávolításához nyomja meg és tartsa megnyomva a **■/MENU/INFO** gombot a menübe való belépéshez, válassza ki a **“Szelektálni”** opciót és nyomja meg a **▶▶/SCAN/SELECT** gombot a belépéshez. Utána **▶▶/TUN+**, vagy **◀◀/TUN-** gombokkal válassza ki a **Igen**, vagy **Nem** opciót és nyomja meg a **▶▶/SCAN/SELECT** gombot a megerősítéshez. Ezzel minden nem elérhető csatornát, amely **“?”** jellel van megjelölve eltávolít.

## CSATORNA MEMÓRIA

Ha szeretné a csatornát a memóriába menteni, keresse meg a kívánt csatornát, utána nyomja meg a készüléken lévő **PROG./MEM.** gombot amíg a kijelzőn meg nem jelenik a **“Mentés”** felirat. **▶▶/TUN+**, vagy **◀◀/TUN-** gombbal válassza ki a kívánt memória helyet (pl. **“Memóriahely 1”**), utána nyomja meg a **▶▶/SCAN/SELECT** gombot a megerősítéshez. Ismétlje meg a lépéseket, akár 30 csatorna menthető a memóriába.

## MANUÁLIS HANGOLÁS

Ha szeretné a csatornát manuálisan hangolni, nyomja meg és tartsa megnyomva a **■/MENU/INFO** gombot a menübe való belépéshez. Válassza ki a **“Kézi hangolás”** opciót és nyomja meg a **▶▶/SCAN/SELECT** gombot a megerősítéshez. **▶▶/TUN+**, vagy **◀◀/TUN-** gombbal keresse meg a kívánt csatornát.

## „NOW PLAYING” INFORMÁCIÓK

Csatorna lejátszása közben a kijelzőn megjelenik a csatorna neve és DLS (Dynamic Label Segment) információk, mint pl. műsor neve, zeneszám címe, stb. További információk megjelenéséhez nyomja meg a **■/MENU/INFO** gombot, az információk következő sorrendben jelennek meg: DLS szöveg, DL Plus információ (csak csatorna lejátszása esetén), jel erőssége, program típus, együttes neve, csatorna száma / frekvenciája, jelhiba és bitráta.

## DRC – DINAMIKUS TARTOMÁNYTÖMÖRÍTÉS

Ez a funkció segít csökkenteni a különbséget a lehangosabb és a legcsendesebb hang között. Halk hangokat viszonylag erősebbé teszi, és a hangos hangokat viszonylag halkabbá teszi. 2 beállítási lehetőség érhető el: **DRC/ki**. DRC beállítás változtatásához nyomja meg és tartsa megnyomva a **■/MENU/INFO** gombot a menübe való belépéshez, válassza ki a **“DRC”** opciót és utána **▶▶/SCAN/SELECT** gombbal válassza ki a kívánt beállítást.

## CD/MP3 MŰKÖDÉS

### LEJÁTSZÁSHOZ VALÓ LEMEZ

A rendszer a következő típusú lemezeket képes lejátszani: audió CD, MP3, audió CD-Recordable (CD-R) lemezek, audió CD-Rewritable (CD-RW) lemezek és CD-DA formátumú digitális audió CD/CD-R/CD-RW lemezek.

### LEMEZ OLVASÁSA

1. Nyomja meg a **FUNC.** gombot a **CD** mód kiválasztásához!
2. Nyissa ki a CD ajtót! **"OPEN"** felirat jelenik meg a kijelzőn.
3. Helyezze a CD lemezt a rekeszbe, nyomtatott oldallal felfelé!
4. Csukja be a CD ajtót! A kijelzőn villogni fog a **"CD--READING"** felirat, utána a zeneszámok teljes száma jelenik meg és a lejátszás az első számtól elkezdődik.
5. A lejátszás megállításához, CD lemez eltávolításához nyomja meg a **■/MENU/INFO** gombot, utána nyissa ki a CD ajtót. Fogja meg a CD lemezt az oldalain keresztül és vegye azt ki óvatosan.

*Megjegyzés:*

*Győződjön meg arról, hogy a lemez megállt mielőtt kinyitná a CD ajtót.*

*A rendszer megfelelő működése érdekében a lejátszás előtt várjon, amíg a lemez olvasása be nem fejeződik!*

*Ha nincs lemez a rekeszben, vagy fejjel lefelé lett behelyezve, a kijelzőn **"NO DISC"** felirat jelenik meg.*

### LEMEZ LEJÁTSZÁSA

1. A lejátszás leolvasás után automatikusan elkezdődik az első számtól.
2. Lejátszás szüneteltetéséhez nyomja meg **▶||/SCAN/SELECT** gombot. Aktuális idő és **"PLAY"** felirat villogni fog a kijelzőn. Lejátszás folytatásához nyomja meg a **▶||/SCAN/SELECT** gombot!
3. Lejátszás folytatásához nyomja meg a **■/MENU/INFO** gombot, a zeneszámok teljes száma megjelenik a kijelzőn!

### KÍVÁNT SZÁM/RÉSZ KIVÁLASZTÁSA

#### Kívánt zeneszám kiválasztása

Stop, vagy lejátszás módban nyomja meg a **▶||/TUN+**, vagy **◀◀/TUN-** gombot ismételten, amíg a kívánt zeneszám meg nem jelenik a kijelzőn! A lejátszás automatikusan elkezdődik.

#### Kívánt rész keresése lejátszás közben (zeneszám szkennelése magas sebességgel)

Nyomja meg és tartsa megnyomva a **▶||/TUN+**, vagy **◀◀/TUN-** gombot lejátszás közben, amíg a kívánt rész meg nem jelenik, utána engedje el a gombot! A lejátszás a kiválasztott időponttól folytatódik.

#### Zeneszám kiválasztása 10 fölött (csak USB/MP3)

10 fölötti zeneszám kiválasztásához nyomja meg a **10/FOLD./M.+**, vagy **/M.-** gombot 10 számmal előre/hátra való ugráshoz! Utána nyomja meg a **▶||/TUN+**, vagy **◀◀/TUN-** gombot a kívánt szám kiválasztásához!

#### Kívánt mappa kiválasztása (csak USB/MP3 lemez, amely több mappát tartalmaz)

Kívánt mappa kiválasztásához nyomja meg és tartsa megnyomva a **10/FOLD./M.+**, vagy **/M.-** gombot az előző/következő mappára való ugráshoz.



## ZENESZÁMOK PROGRAMOZÁSA

Zeneszámok programozása csak megállított állapotban lehetséges. Akár 20 CD/99 MP3 szám menthető a memóriába bármilyen sorrendben.

1. Stop módban nyomja meg a **PROG./MEM.** gombot a program beállításába való belépéshez, "**MEM**" logó és "**P01**" felirat villogni fog a kijelzőn.
  2. Nyomja meg a CD **▶▶/TUN+**, vagy **◀◀/TUN- / 10/FOLD./M.+**, vagy **/M.-** gombot az első zeneszám kiválasztásához.
  3. Nyomja meg a készüléken lévő **PROG./MEM.** gombot újra. A kijelzőn "**P02**" felirat jelenik meg.
  4. Ismétlje meg a 1 & 3 lépéseket további zeneszámok mentéséhez.
  5. **▶▶/SCAN/SELECT** gombbal indítsa el a lejátszást az első mentett zeneszámtól.
  6. **▶▶/TUN+**, vagy **◀◀/TUN-** gombbal válassza ki a következő/előző programozott zeneszámot.
  7. **■/MENU/INFO** gombbal állítsa meg a lejátszást.
- Program törléséhez nyomja meg a **■/MENU/INFO** gombot, vagy nyissa ki a CD ajtót

## ISMÉTLÉS

### Egy zeneszám ismétlése

1. Nyomja meg a **P-MODE** gombot a lejátszás közben, "**REP-1**" felirat jelenik meg a kijelzőn és az aktuális szám ismételt lejátszása folytatódik, amíg meg nem nyomja a **■/MENU/INFO** gombot újra.
2. Ismételt lejátszás törléséhez nyomja meg a **P-MODE** gombot, amíg "**REP-1**" nem tűnik el a kijelzőről.

### Összes zeneszám ismétlése

1. Nyomja meg a **P-MODE** gombot, amíg "**REP-ALL**" felirat nem világít a kijelzőn, a lemezen lévő összes zeneszám ismételt lejátszása folytatódik, amíg meg nem nyomja a **■/MENU/INFO** gombot újra.
2. Ismételt lejátszás törléséhez nyomja meg a **P-MODE** gombot, amíg "**REP-ALL**" nem tűnik el a kijelzőről.

### Aktuális mappa ismétlése (csak USB/MP3 lemez, amely több mappát tartalmaz)

1. Nyomja meg a **P-MODE** gombot, amíg "**REP-DIR**" felirat nem világít a kijelzőn, aktuális mappa ismételt lejátszása folytatódik, amíg meg nem nyomja a **■/MENU/INFO** gombot újra.
2. Ismételt lejátszás törléséhez nyomja meg a **P-MODE** gombot, amíg "**REP-DIR**" nem tűnik el a kijelzőről.

## VÉLETLENSZERŰ LEJÁTSZÁS

Nyomja meg a **P-MODE** gombot lejátszás közben amíg a "**SHUFFLE**" felirat nem világít a kijelzőn, véletlenszerű lejátszás kezdődik automatikusan a következő számtól. Összes szám lejátszása után a véletlenszerű lejátszás megáll. Nyomja meg a **P-MODE** gombot a funkció törléséhez.

## INTRO

Lejátszás közben nyomja meg a **P-MODE** gombot amíg az "**INTRO**" felirat meg nem jelenik a kijelzőn. Minden zeneszámból az első 10 másodperc lejátszásra kerül. Nyomja meg a **P-MODE** gombot a funkció törléséhez, majd az "**INTRO**" felirat eltűnik a kijelzőről.

## USB MŰKÖDÉS

1. Nyomja meg a **FUNC.** gombot az **USB** mód kiválasztásához.
2. Csatlakoztassa az USB lemezt az USB aljzatba. Az LCD kijelzőn megjelenik az USB memóriában lévő zeneszámok és mappák száma. USB olvasása után a lejátszás automatikusan elkezdődik.
3. Lejátszás szüneteltetéséhez nyomja meg **▶||/SCAN/SELECT** gombot, aktuális idő jelenik meg a kijelzőn. Lejátszás folytatásához nyomja meg **▶||/SCAN/SELECT** gombot újra.
4. **■/MENU/INFO** gombbal állítsa meg a lejátszást. Az LCD kijelzőn megjelenik az USB memóriában lévő zeneszámok és mappák száma.
5. Ismételt lejátszás (ismétlés 1- mappa ismétlése – összes ismétlése - véletlenszerű lejátszás - intro) beállítsa ugyanaz mint CD/MP3 MŰKÖDÉS esetén.

**FIGYELEM:** 32GB (USB) memória támogatott. Ne használjon semmilyen USB hosszabbító kábelt, ellenkező esetben interferenciát okozhat!

## BLUETOOTH MŰKÖDÉS

1. Nyomja meg a **FUNC.** gombot és válassza ki a **BLUETOOTH** funkciót, "BT MODE" felirat jelenik meg a kijelzőn és "UNCONNECT" felirat villogni fog.
2. Kapcsolja be a Bluetooth funkciót a saját eszközén, keresse meg a "JVC RD-E661B-DAB" / "JVC RD-E661W-DAB" nevű készüléket és csatlakozzon hozzá. Ha szükséges, adja meg a 0000 jelszót. Sikeres csatlakozás után "BT MODE CONNECT" felirat jelenik meg a kijelzőn.
3. Nyomja meg a készüléken lévő **▶||/SCAN/SELECT** gombot a zene lejátszásához, vagy a saját eszközön indítsa el a lejátszást.
4. Ha nem sikerül 2 percen belül csatlakozni, nyomja meg és tartsa megnyomva a készüléken lévő **▶||/SCAN/SELECT** gombot új csatlakozáshoz.
5. **VOLUME** gombbal állítsa be a kívánt hangerőt.
6. Készüléken, vagy távirányítón lévő **▶▶/TUN+**, vagy **◀◀/TUN-** válassza ki a kívánt zeneszámot.
7. Lejátszás megállításához nyomja meg a **▶||/SCAN/SELECT** gombot.

*Megjegyzés: A Bluetooth funkció legjobban 10 méteren belül működik.*

## AUX IN MŰKÖDÉS

A készülék fel van szerelve 3.5mm AUX IN aljzattal, amelyen keresztül lehetséges más audió készülékeket is csatlakoztatni.

1. Nyomja meg a **FUNC.** gombot az **AUX** mód kiválasztásához.
2. Csatlakoztassa az audió kábelt (nincs csomagolásban) az AUX IN aljzatba és a másik végét a külső eszközön lévő AUDIO OUT aljzatba.
3. A **VOLUME** gombokkal állítsa be a hangerőt.
4. Nyomja meg a külső eszközön lévő **PLAY** gombot (pl. MP3 lejátszó) a lejátszás indításához.

## CD LEMEZ KARBANTARTÁSA

Mindig használjon az alábbi jellel felszerelt lemezeket!



Lemezek használata

- Lemez behelyezése és olvasása.
- Ne érintse a lemez alsó oldalát!
- Ne ragasszon és ne írjon semmit a lemezre!
- Ne hajlítsa meg a lemezt!

Tárolás

- Tárolja a lemezt a tokjában!
- NE tegye ki a lemezt közvetlen napsugárnak, vagy magas hőmérsékletnek, magas páratartalomnak, vagy poros helyeknek!

Lemez tisztítása

- Ha a lemez nem tiszta, törölje le róla a port, a szennyeződésekét és az ujjlenyomatokat puha ruhával!
- A lemezt a közepétől a széle felé haladva kell tisztítani!
- Soha ne használjon benzolt, hígítót, tisztító folyadékot, vagy antisztatikus sprayt!
- Mindig csukja be a CD ajtót annak érdekében, hogy a lencse ne legyen poros!
- Ne érintse a lencsét!

## SPECIFIKÁCIÓK

### ÁLTALÁNOS

Tápellátás	AC 100-240V ~ 60/50Hz DC 12V UM-2/C x 8
Energiafogyasztás	15 W
Energiafogyasztás készenléti módban	< 0,5 W
Súly	kb. 1,5 kg
Méretek	kb. 346 (Š) x 240 (H) x 148 (V) mm
Működési hőmérséklet	+5°C – +35°C

### RÁDIÓ

FM frekvencia tartomány	87,5 – 108 MHz
DAB+ frekvencia tartomány	174,928 – 239,200 MHz

### BLUETOOTH

BT frekvencia tartomány	2402 – 2480 MHz
EIRP	2,64 dBm

### CD LEMEZ

Optika	3 – lézersugár
Frekvencia válasz	100Hz – 16KH z

### AUDIÓ

Kimeneti teljesítmény	2 x 2 W RMS
-----------------------	-------------

### TARTOZÉKOK

Használati utasítás, AC tápkábel, Távirányító

**A GYÁRTÓ FENNTARTJA A JOGOT A TECHNIKAI SPECIFIKÁCIÓK VÁLTOZTATÁSÁRA.**



**FIGYELEM:** TŰZ VAGY ÁRAMÜTÉS ELKERÜLÉSE ÉRDEKÉBEN NE TEGYE KI A KÉSZÜLÉKET ESŐ VAGY NEDVESSÉG HATÁSÁNAK. HASZNÁLATON KÍVÜL VAGY JAVÍTÁS ELŐTT MINDIG HÚZZA KI A KÉSZÜLÉKET AZ ELEKTROMOS HÁLÓZATBÓL. A KÉSZÜLÉK NEM TARTALMAZ A FELHASZNÁLÓ ÁLTAL JAVÍTHATÓ ALKATRÉSZEKET. MINDIG FORDULJON SZAKSZERVIZHEZ. A KÉSZÜLÉK VESZÉLYES FESZÜLTÉG ALATT VAN.



FULLADÁSVESZÉLY. TARTSA A PE ZACSKÓT GYERMEKEKTŐL ELZÁRT HELYEN. A ZACSKÓ NEM JÁTÉKSZER. NE HASZNÁLJA EZT A ZACSKÓT BÖLCSŐKBEN, KISÁGYAKBAN, BABAKOCSIKBAN, VAGY GYEREK JÁRÓKÁKBAN.

**Feleslegessé vált elektromos és elektronikus készülékek hulladékként való eltávolítása (Használható az Európai Unió és egyéb európai országok szelektív hulladékgyűjtési rendszereiben)**



Ez a szimbólum a készüléken, vagy annak csomagolásán azt jelzi, hogy a terméket ne kezelje háztartási hulladékként! Kérjük, hogy az elektromos és elektronikai hulladék gyűjtésére kijelölt gyűjtőhelyen adja le! A feleslegessé vált termék helyes kezelésével segít megelőzni a környezet és az emberi egészség károsodását, mely bekövetkezhetne, ha nem követi a hulladékkezelés helyes módját. Az anyagok újrahasznosítása segít a természeti erőforrások megőrzésében. A termék újrahasznosítása érdekében, valamint további információért forduljon a hozzátartozó hivatalhoz, vagy a lakhelyén lévő hulladékokkal foglalkozó szolgáltatóhoz, illetve ahhoz az üzlethez, ahol a terméket megvásárolta!

Ezáltal az ETA a.s. kijelenti, hogy a RD-E661B-DAB típusú rádióberendezések megfelelnek a 2014/53/EU irányelvnek. Az EU-megfelelőségi nyilatkozat teljes szövege a következő internetes címen érhető el: [www.JVCAUDIO.cz/doc](http://www.JVCAUDIO.cz/doc)

## INTRODUCERE

- Vă mulțumim că ați cumpărat produsul nostru.
- Vă rugăm să citiți aceste instrucțiuni de utilizare, astfel încât să știți cum să vă utilizați corect echipamentul. După ce ați terminat de citit manualul de instrucțiuni, puneți-l într-un loc sigur pentru referințe viitoare.

## AVERTIZARE

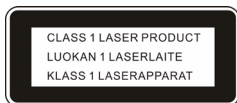
Pentru a preveni pericolul de incendiu sau de electrocutare, nu expuneți acest aparat la ploaie sau umezeală. Pentru a evita electrocutarea, nu deschideți carcasa aparatului; solicitați efectuarea de operațiuni de service numai de către personalul calificat.

## ATENȚIONARE

Utilizarea controalelor sau reglarea sau efectuarea de proceduri, altele decât cele specificate în acest manual, pot conduce la expunerea la radiații periculoase.

## PERICOL

Radiații laser invizibile atunci când carcasa este deschisă sau când mecanismul de interblocare s-a defectat sau a fost forțat. Evitați expunerea directă la fasciculul de raze laser.



Acest player CD este clasificat ca PRODUS LASER de Casa 1. Eticheta CLASS 1 LASER PRODUCT (Produs laser de Clasa 1) se află pe partea din spate.

*NOTĂ: Producătorul nu este responsabil pentru nicio interferență radio sau TV cauzată de modificări neautorizate care ar putea anula autorizația utilizatorului de a utiliza echipamentul*

- Evitați instalarea unității în locațiile descrise mai jos:
  - Locuri expuse la lumina directă a soarelui sau aflate aproape de aparate care radiază căldură, cum ar fi încălzitoarele electrice, deasupra altor echipamente stereo care radiază prea multă căldură.
  - Locuri care blochează ventilația sau locuri cu praf.
  - Locuri supuse vibrațiilor constante.
  - Locuri ude sau umede.
- Acționați prin rotirea controalelor și comutatoarelor conform instrucțiunilor din manual.
- Înainte de a porni alimentarea pentru prima dată, asigurați-vă că ați instalat corect cablul de alimentare.

**AVERTIZARE:** Scoateți bateriile dacă sunt descărcate sau dacă nu vor mai fi utilizate pentru o perioadă lungă de timp. Utilizarea incorectă a bateriilor poate provoca scurgeri de electroliți și va coroda compartimentul sau poate provoca spargerea bateriilor, prin urmare:

- Nu amestecați tipurile de baterii, de exemplu baterii alcaline cu baterii cu carbonat de zinc.
- Când introduceți baterii noi, înlocuiți toate bateriile în același timp.

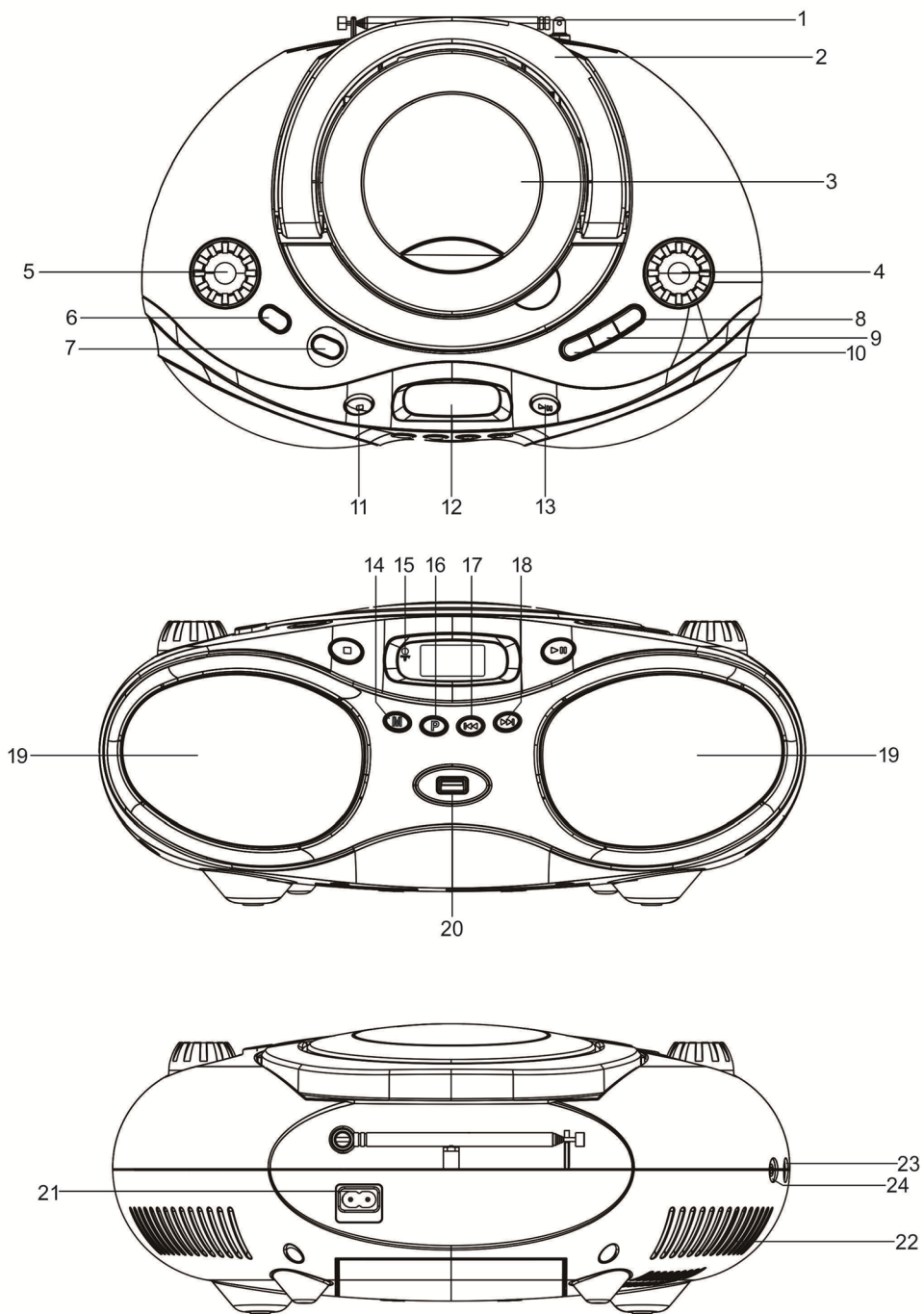
Nu ingerați bateria (furnizată împreună cu telecomanda), pericol de arsură chimică. Acest produs conține o baterie de tip monedă/buton. Dacă bateria de tip monedă/buton este înghițită, poate cauza arsuri interne grave în doar 2 ore și poate cauza decesul.

Păstrați bateriile noi și uzate departe de copii.

Dacă compartimentul pentru baterii nu se închide bine, opriți utilizarea produsului și păstrați-l departe de copii.

Dacă credeți că bateriile ar fi putut fi înghițite sau amplasate în orice parte a corpului, solicitați asistență medicală imediată.

# AMPLASAREA CONTROALELOR



1. ANTENĂ FM
2. MÂNER
3. COMPARTIMENT PENTRU CD
4. BUTON TUNING
5. BUTON VOLUME
6. BUTON BASS
7. BUTON STANDBY
8. BUTON 10/FOLD./M.+
9. BUTON 10/FOLD./M.-
10. BUTON FUNC.
11. BUTON ■ /MENU/INFO
12. ECRAN LCD
13. BUTON ►/PAIR/ SELECT
14. BUTON P-MODE
15. INDICATOR STANDBY
16. BUTON PROG./MEM.
17. BUTON ◀◀/TUN-
18. BUTON ►►/TUN+
19. DIFUZOR
20. PORT USB
21. PRIZĂ DE CURENT ALTERNATIV
22. ORIFICII DE VENTILARE
23. MUFĂ JACK AUX IN
24. IEȘIRE CĂȘTI

## SURSĂ DE ALIMENTARE

Unitatea este proiectată să funcționeze cu curent alternativ sau cu curent continuu.

## FUNCȚIONAREA CU CURENT ALTERNATIV

Conectați capătul mai mic al cablului de alimentare cu curent alternativ la mufa jack de pe unitate și capătul mai mare al cablului de alimentare cu curent alternativ la priza de perete de uz casnic. Unitatea va fi deconectată automat.

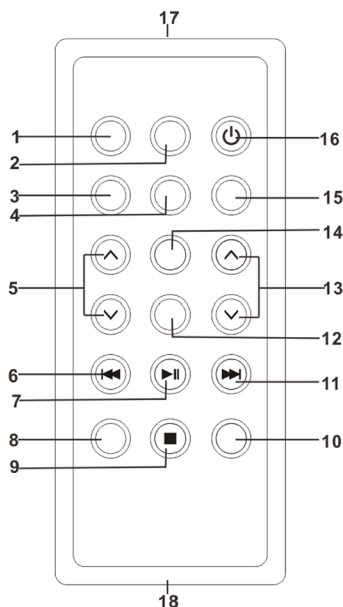
## FUNCȚIONAREA CU CURENT CONTINUU

Deschideți UȘIȚA COMPARTIMENTULUI PENTRU BATERII. Montați 8 baterii de dimensiune UM-2/C (nu sunt incluse) în compartiment. Vă rugăm să respectați polaritățile corecte așa cum este indicat.

## ATENȚIE

- Scoateți bateriile dacă sunt descărcate sau dacă sunt utilizate de mult timp.
- Bateriile conțin substanțe chimice, astfel că trebuie eliminate în corespunzător.

## TELECOMANDĂ



1. TASTĂ FUNC.
2. TASTĂ MUTE
3. TASTĂ MEMORY
4. TASTĂ BASS
5. TASTĂ 10/M./ Fold. UP/DOWN
6. TASTĂ CD B-SKIP ◀◀/TUN-
7. TASTĂ CD ►►/SELECT
8. TASTĂ P-MODE
9. TASTĂ ■ /MENU
10. TASTĂ PAIR
11. TASTĂ CD F-SKIP ►►/TUN+
12. TASTĂ ID3
13. TASTĂ VOLUME UP/DOWN
14. TASTĂ INFO
15. TASTĂ MO/ST
16. TASTĂ ⏻ STANDBY
17. SENZOR DE TELECOMANDĂ
18. COMPARTIMENT PENTRU BATERII



## UTILIZAREA TELECOMENZII

Pentru a opera unitatea cu ajutorul telecomenzii, îndreptați telecomanda către senzorul de telecomandă de pe panoul frontal și apăsați butonul corespunzător de pe telecomandă.

Telecomanda funcționează cel mai bine într-un interval de 6 ~ 7 metri față de panoul frontal și la un unghi de 30 de grade. Lumina puternică a soarelui sau condițiile de iluminare ale camerei pot interfera cu telecomanda. Dacă utilizarea telecomenzii este nesatisfăcătoare sau dacă funcționarea unității încetează complet, mai întâi încercați să înlocuiți bateriile telecomenzii, apoi încercați să reduceți iluminarea încăperii.

## MONTAREA BATERIEI CU LITIU ÎN TELECOMANDĂ

Telecomanda include o baterie cu litiu CR2025 (3 V).

Pentru a înlocui bateria, împingeți ușor încuietoarea în direcția corectă în conformitate cu instrucțiunile și apoi scoateți compartimentul pentru baterii. Scoateți bateria descărcată și montați o nouă baterie cu litiu (CR-2025) în compartiment, cu polaritatea pozitivă neprotejată, apoi împingeți compartimentul înapoi în poziția sa până se aude un „clac” care indică faptul că montarea s-a finalizat.

## FUNCȚII DE BAZĂ

### PORNIREA UNITĂȚII

După conectarea alimentării, apăsați butonul **STANDBY** de pe unitate pentru a porni unitatea. Apăsați butonul **FUNC.** de pe unitate sau telecomandă pentru a alege funcția **TUNER / CD / USB / AUX/ DAB** sau **BLUETOOTH**.

NOTĂ: În modul **CD / USB / AUX / BT**, atunci când nu execută funcția principală timp de 15 minute, unitatea va trece automat în modul Standby (așteptare). Pentru a porni din nou unitatea, apăsați butonul **STANDBY** sau reconectați unitatea la sursa de alimentare.

*Sugestie privind descărcările electrostatice (ESD) – Produsul se poate reseta sau nu la operațiunea de control din cauza descărcării electrostatice, este suficient să îl opriți și să îl reconectați.*

### REGLAREA VOLUMULUI

Rotiți butonul **VOLUME** de pe unitate sau apăsați tasta **VOLUME UP/DOWN** pentru a mări sau micșora volumul.

### FUNCȚIA DE BAS

Apăsați butonul **BASS** de pe unitate pentru a activa efectul de bas.

### MUFĂ JACK PENTRU CASCĂ

Pentru ascultarea privată, conectați o cască de 3,5 mm (nu este inclusă) la mufa jack pentru CASCĂ. DIFUZORUL va fi dezactivat automat.

**ATENȚIONARE:** ASCULTAREA LA UN VOLUM ÎNALT PE O PERIOADĂ ÎNDELUNGATĂ DE TIMP DĂUNEAZĂ URECHILOR.

## UTILIZAREA RADIOULUI FM

### REGLAREA POSTURILOR DE RADIO

1. Apăsăți butonul **FUNC.** de pe unitate sau telecomandă pentru a selecta funcția **TUNER**, această unitate este concepută NUMAI PENTRU FM.
2. Reglați postul de radio dorit prin rotirea butonului **TUNING** de pe unitate sau apăsați tasta **▶▶/TUN+** sau **◀◀/TUN-** de pe telecomandă, afișajul va afișa frecvența benzii. Exemplu: FM 97.10 MHz. Dacă aparatul radio recepționează semnal stereo, pe afișaj se va afișa **"STEREO"**.
3. Extindeți **ANTENA TELESCOPICĂ FM** pe toată lungimea acesteia și mișcați ușor unitatea înainte și înapoi pentru a obține cea mai bună recepție sau amplasați unitatea într-o locație deschisă.
4. Pentru a opri aparatul radio, apăsați butonul **FUNC.** sau telecomanda pentru a comuta la alte funcții sau apăsați butonul **STANDBY** pentru a opri unitatea.

### SCANAREA (CĂUTAREA) AUTOMATĂ A POSTURILOR RADIO

Apăsăți și mențineți apăsat butonul **▶▶/SCAN/SELECT**, unitatea va efectua scanarea automată și programarea până când va recepționa un semnal puternic. Unitatea va începe să difuzeze de pe P01 după finalizarea căutării. Apăsăți butonul **10/FOLD./M.+** sau **/M.-** de pe unitate sau telecomandă pentru a alege postul programat următor/anterior.

### LUCRUL CU MEMORIA DE POSTURI RADIO

Puteți pre-stoca 30 de posturi radio (FM) în memorie după preferințe, astfel încât să puteți asculta direct și rapid postul de radio dorit, fără să fiți nevoiți să efectuați reglarea și să căutați din nou postul.

1. Rotiți butonul **TUNING** de pe unitate pentru a selecta primul post dorit.
2. Apăsăți și mențineți apăsat butonul **PROG./MEM.** de pe unitate sau tasta **MEMORY** de pe telecomandă, textul **"PRESET STORE"** va clipi pe ecran. Apăsăți butonul **▶▶/TUN+** sau **◀◀/TUN-** pentru a alege secvența pe care doriți să o stocați, apoi apăsați din nou butonul **▶▶/SCAN/SELECT** pentru introducere.
3. Căutați un alt post radio, repetați pașii 1 și 2 până când toate posturile dorite sunt stocate. Pot fi programate până la 30 de posturi.
4. Apăsăți butonul **10/FOLD./M.+** sau **/M.-** pentru a asculta direct postul stocat.

## UTILIZAREA RADIOULUI DAB

Modul radio DAB primește semnal radio digital DAB/DAB+ și afișează informații despre post și pista programată în cursul difuzării. Apăsăți butonul **FUNC.** până când pe ecran apare textul **"Welcome to DAB"**.

### SISTEM

Setarea Sistem vă permite să selectați limbile de afișare, să resetați sistemul la setările din fabrică și să vizualizați versiunea software-ului.

### LIMBĂ

Pentru a selecta diferite limbi pentru afișarea mesajelor. Apăsăți și mențineți apăsat butonul **■/MENU/INFO** pentru a accesa selecția meniului, selectați opțiunea **"Sistem"** și apăsați butonul **▶▶/SCAN/SELECT** pentru accesare, selectați **"Limbă"**, apoi apăsați butonul **▶▶/TUN+** sau **◀◀/TUN-** pentru a alege limba de afișare dorită, apoi apăsați butonul **▶▶/SCAN/SELECT** pentru a confirma.

## RESETAREA LA SETĂRILE DIN FABRICĂ

Resetarea la setările din fabrică poate ajuta la ștergerea tuturor setărilor definite de utilizator, înlocuindu-le cu setările implicite originale, incluzând lista posturilor DAB și posturile presetate. Apăsati și mențineți apăsat butonul **■/MENU/INFO** pentru a accesa selecția meniului, selectați opțiunea **“Sistem”** pentru accesare și apăsați butonul **▶▶/SCAN/SELECT** pentru accesare, selectați **“Resetare la setările din fabrică”**, apoi apăsați butonul **▶▶/TUN+** sau **◀◀/TUN-** pentru a alege opțiunea **DA** sau opțiunea **NU**, apoi apăsați butonul **▶▶/SCAN/SELECT** pentru a confirma.

## VERSIUNEA SOFTWARE-ULUI

Aceasta afișează versiunea curentă a software-ului. Apăsati și mențineți apăsat butonul **■/MENU/INFO** pentru a accesa selecția meniului, selectați opțiunea **“Sistem”** și apăsați butonul **▶▶/SCAN/SELECT** pentru accesare, selectați **“Versiune software”**, apoi apăsați butonul **▶▶/SCAN/SELECT** pentru a vizualiza versiunea curentă a software-ului.

## SCANAREA PENTRU CĂUTAREA POSTURILOR

1. Pentru a efectua o scanare completă, apăsați și mențineți apăsat butonul **■/MENU/INFO** pentru a accesa selecția meniului, selectați opțiunea **“Scanare completă”** și apăsați butonul **▶▶/SCAN/SELECT** de pe unitate pentru a confirma. După finalizarea scanării complete, radioul revine la redarea postului selectat anterior sau la redarea primului post din lista de posturi.
2. Pentru a alege din lista de posturi scanate, apăsați butonul **▶▶/TUN+** sau **◀◀/TUN-** pentru a parcurge prin derulare lista de posturi și apăsați butonul **▶▶/SCAN/SELECT** pentru a confirma. Ecranul **“Se redă”** va afișa detaliile noului post.
3. Pentru a elimina posturile care sunt listate, dar indisponibile, apăsați și mențineți apăsat butonul **■/MENU/INFO** pentru a accesa selecția meniului, selectați opțiunea **“Filtrare posturi”** și apăsați butonul **▶▶/SCAN/SELECT** pentru accesare, apăsați butonul **▶▶/TUN+** sau **◀◀/TUN-** pentru a alege opțiunea **Da** sau opțiunea **Nu**, apoi apăsați butonul **▶▶/SCAN/SELECT** pentru a confirma. În acest fel se elimină toate posturile nevalide, indicate în lista de posturi cu un **“?”** în fața numelui postului.

## POSTURI PRESETATE

Pentru a stoca un post într-o memorie de valori presetate, reglați postul pe care doriți să îl salvați ca presetare, apoi apăsați butonul **PROG./MEM.** de pe unitate până când pe ecran apare textul **“Stoc presetări”**. Utilizați butonul **▶▶/TUN+** sau **◀◀/TUN-** pentru a alege o poziție în memoria de valori presetate (de exemplu, **“Presetare 1”**), apoi apăsați butonul **▶▶/SCAN/SELECT** pentru a confirma. Repetați această operațiune pentru a salva până la 30 de posturi presetate.

## REGLAREA MANUALĂ

Pentru a efectua o reglare manuală, apăsați și mențineți apăsat butonul **■/MENU/INFO** pentru a accesa selecția meniului, selectați opțiunea **“Reglare manuală”** și apăsați butonul **▶▶/SCAN/SELECT** pentru a confirma. Utilizați butonul **▶▶/TUN+** sau **◀◀/TUN-** pentru a regla posturile dorite.

## INFORMAȚII DESPRE POSTUL CURENT

În timpul redării unui post, ecranul afișează numele postului și informațiile DLS (Dynamic Label Segment) transmise de post, cum ar fi numele programului, titlul pistei și detaliile de contact. Pentru a vizualiza informații suplimentare, apăsați de fiecare dată butonul **■/MENU/INFO** pentru a afișa setul următor de informații, parcurgând ciclic: text DLS, informații DL Plus (acestea sunt afișate numai dacă sunt transmise de post), intensitatea semnalului, tipul programului, numele ansamblului, numărul/frecvența canalului, rata de eroare a semnalului și rata de biți.

## COMPRIMAREA INTERVALULUI DINAMIC (DRC)

Această funcție ajută la reducerea diferenței dintre cel mai intens și cel mai puțin intens sunet audio transmis. Efectiv, acest lucru face ca sunetele mai puțin intense să fie comparativ mai intense și sunetele mai intense să fie comparativ mai puțin intense. Există 2 opțiuni în această setare, opțiunile disponibile sunt: **DRC/Oprit**. Pentru a modifica setarea DRC, apăsați și mențineți apăsat butonul **■/MENU/INFO** pentru a accesa selecția meniului, selectați opțiunea **"DRC"**, apoi utilizați butonul **▶▶/SCAN/SELECT** pentru a alege opțiunea dorită.

## UTILIZAREA DISCURILOR CD/MP3

### DISCURI PENTRU REDARE

Acest sistem poate reda toate discurile de tip CD audio digital, MP3, CD înregistrabil (CD-R) audio digital finalizat, CD reinscriptibil (CD-RW) audio digital finalizat și CD/CD-R/CD-RW audio digital format CD-DA.

### ÎNCĂRCAREA UNUI DISC

1. Apăsați butonul **FUNC.** pentru a alege modul **CD**.
2. Deschideți ușița pentru CD. Pe ecran se va afișa textul **"OPEN"**.
3. Așezați un CD în tăviță, cu partea cu eticheta orientată în sus.
4. Închideți ușița pentru CD. Ecranul va afișa un text **"CD--READING"** care clipește, apoi se va afișa numărul total de piste și redarea va începe de la pistă.
5. Pentru a scoate CD-ul, apăsați butonul **■/MENU/INFO** pentru a opri redarea, apoi deschideți capacul compartimentului pentru CD. Țineți CD-ul de marginile acestuia și scoateți-l cu atenție.

*Notă:*

*Asigurați-vă că discul este oprit înainte de a deschide ușița compartimentului pentru CD.*

*Pentru a asigura o performanță bună a sistemului; așteptați până când discul este citit complet înainte de a continua.*

*Dacă nu este încărcat niciun disc în compartiment sau dacă discul este așezat cu fața în jos, ecranul va afișa **"NO DISC"**.*

### REDAREA UNUI DISC

1. Redarea începe automat de la pista 1 atunci când se citește discul.
2. Pentru a pune redarea pe pauză, apăsați butonul **▶▶/SCAN/SELECT**. Timpul de redare curent și textul „PLAY” vor clipi pe ecran. Pentru a relua redarea, apăsați din nou butonul **▶▶/SCAN/SELECT**.
3. Pentru a opri redarea, apăsați butonul **■/MENU/INFO**, numărul total de piste apare pe ecran.

### SELECTAREA PISTEI DORITE/PASAJULUI DORIT

#### Pentru selectarea pistei dorite

Apăsați în mod repetat butonul **▶▶/TUN+** sau **◀◀/TUN-** în modul Stop (Oprire) sau în timpul redării până când pe ecran apare pista dorită. Redarea va începe automat.

#### Pentru a căuta un anumit pasaj în timpul redării (scanarea pistelor la viteză mare)

Apăsați și mențineți apăsat butonul **▶▶/TUN+** sau **◀◀/TUN-** pentru a scana pista care rulează curent la viteză mare până când apare pasajul dorit, apoi eliberați butonul. Redarea va începe din nou din acest punct.

### **Pentru a selecta o melodie al cărei număr de pistă depășește 10 (numai pentru USB/MP3)**

Pentru a selecta o melodie/o pistă al cărei număr depășește 10, apăsați butonul **10/FOLD./M.+** sau **/M.-** de fiecare dată pentru a sări înainte/înapoi cu 10 piste, apoi apăsați butonul **▶▶/TUN+** sau **◀◀/TUN-** pentru a selecta pista dorită.

### **Pentru a selecta folderul dorit (pentru USB/MP3 care conțin mai mult de un folder)**

Pentru a selecta un folder dorit, apăsați și țineți apăsat butonul **▶▶/TUN+** sau **◀◀/TUN-** și reglați la folderul următor/anterior.

## **PROGRAMAREA PISTELOR**

Programarea pistelor de disc este posibilă atunci când redarea este oprită. În memorie pot fi stocate, în orice ordine, până la 20 de piste de CD/99 de piste de MP3.

1. În modul Oprire, apăsați butonul **PROG./MEM.** pentru a accesa setarea programului, sigla **"MEM"** și **"P01"** vor clipi pe ecran.
2. Apăsați butonul **▶▶/TUN+** sau **◀◀/TUN-** / **10/FOLD./M.+** sau **/M.-** pentru CD pentru a selecta prima pistă dorită pentru a fi programată.
3. Apăsați din nou butonul **PROG./MEM.** de pe unitate. Ecranul va afișa m **"P02"**.
4. Repetați pașii 1 și 3 pentru a stoca alte piste dorite până când toate pistele sunt programate.
5. Apăsați butonul **▶▶/SCAN/SELECT** pentru a începe redarea de la prima pistă programată.
6. Apăsați **▶▶/TUN+** sau **◀◀/TUN-** pentru a selecta pista programată următoare/anterioară.
7. Apăsați butonul **■/MENU/INFO** pentru a opri redarea programată.

Pentru a șterge programul, puteți apăsa butonul **■/MENU/INFO** când discul este oprit sau puteți deschide capacul compartimentului pentru CD, programul va fi șters.

## **REPETAREA**

### **Pentru a repeta o singură pistă**

1. Apăsați butonul **P-MODE** în timpul redării, ecranul va afișa **"REP-1"** și pista curentă va fi redată continuu până când apăsați butonul **■/MENU/INFO**.
2. Pentru a anula repetarea redării, apăsați butonul **P-MODE** de pe unitate până când **"REP-1"** dispăre de pe ecran.

### **Pentru a repeta toate pistele**

1. Apăsați butonul **P-MODE** până când **"REP-ALL"** apare și se menține constant pe ecran, toate pistele de pe disc vor fi redade continuu până când apăsați butonul **■/MENU/INFO**.
2. Pentru a anula repetarea redării, apăsați butonul **P-MODE** de pe unitate până când **"REP-ALL"** dispăre de pe ecran.

### **Pentru a repeta folderul curent (pentru USB/MP3 care conțin mai mult de un folder)**

1. Apăsați butonul **P-MODE** de pe unitate până când **"REP-DIR"** apare și se menține constant pe ecran, folderul curent va fi repetat continuu până când apăsați butonul **■/MENU/INFO**.
2. Pentru a anula repetarea redării, apăsați butonul **P-MODE** de pe unitate până când **"REP-DIR"** dispăre de pe ecran.

## **REDAREA ALEATORIE**

Apăsați butonul **P-MODE** de pe unitate în modul Redare până când **"SHUFFLE"** apare și se menține constant pe ecran, redarea aleatorie va începe automat de la pista următoare până când toate pistele sunt redade și apoi se va opri. Apăsați o dată butonul **P-MODE** pentru a anula.

## INTRODUCEREA

În modul Play (Redare), apăsați butonul **P-MODE** până când textul **"INTRO"** apare și se menține constant pe ecran, redarea introducerii va începe și va scana 10 secunde pentru fiecare pistă. Pentru a anula redarea introducerii, apăsați butonul **P-MODE** până când textul **"INTRO"** dispare de pe ecran.

## UTILIZAREA USB

1. Apăsați butonul **FUNC.** pentru a alege modul **USB.**
2. Conectați dispozitivul USB la intrarea USB. Ecranul LCD va afișa numărul total de piste și foldere stocate pe dispozitivul USB. După citirea dispozitivului USB, unitatea va începe automat redarea.
3. Pentru a pune redarea pe pauză, apăsați butonul **▶/SCAN/SELECT.** Timpul de redare curent se va afișa pe ecran. Pentru a relua redarea, apăsați din nou butonul **▶/SCAN/SELECT.**
4. Apăsați butonul **■/MENU/INFO** de pe unitate pentru a opri redarea. Ecranul va afișa numărul total de dispozitive USB și foldere.
5. Realizați operațiunea de repetare a redării (repetare 1- repetare folder - repetare toate - redarea aleatorie - introducerea) așa cum este descris mai sus la UTILIZAREA DISCURILOR CD/MP3.

**ATENȚIONARE:** *Acceptă 32 GB (USB). Nu utilizați niciun cablu prelungitor USB pentru conectarea dispozitivului USB, deoarece un astfel de cablu poate provoca interferențe.*

## UTILIZAREA BLUETOOTH

1. Apăsați butonul **FUNC.** pentru a comuta la funcția **BLUETOOTH,** ecranul LCD va afișa **"BT MODE"** cu textul **"UNCONNECT"** clipind pe ecran.
2. Porniți funcția Bluetooth pe dispozitiv, scanați și conectați unitatea **„JVC RD-E661B-DAB” / „JVC RD-E661W-DAB”,** apoi introduceți parola 0000 dacă este necesar. Textul **"BT MODE CONNECT"** va apărea și se va menține constant pe ecran după efectuarea conexiunii.
3. Apăsați butonul **▶/SCAN/SELECT** de pe unitate sau tasta de redare pentru ca dispozitivul să înceapă redarea.
4. În cazul în care unitatea nu se poate conecta la Bluetooth relativ în termen de 2 minute, apăsați și mențineți apăsat butonul **▶/SCAN/SELECT** pe unitate pentru reconectare.
5. Rotiți butonul **VOLUME** la nivelul dorit de dumneavoastră.
6. Apăsați butonul **▶/TUN+** sau **◀/TUN-** de pe unitate sau telecomandă pentru a alege pista dorită.
7. Pentru a opri redarea, apăsați butonul **▶/SCAN/SELECT.**

*Notă: Conexiunea Bluetooth funcționează cel mai bine la 10 metri.*

## UTILIZAREA INTRĂRII AUXILIARE

Această unitate este prevăzută cu o mufă jack de 3,5 mm pentru intrare auxiliară, prin intermediul acestei mufe jack pot fi conectate la unitate și pot fi amplificate alte surse audio.

1. Apăsați butonul **FUNC.** pentru a alege modul **AUX.**
2. Conectați un capăt al cablului audio (cablul nu este inclus) la mufa jack **INTRARE AUXILIARĂ** și celălalt capăt la mufa **IEȘIRE AUDIO** a sursei audio externe.
3. Reglați volumul unității principale la nivelul dorit.
4. Apăsați **PLAY** externího zařízení de pe sursa externă (de exemplu, MP3 player) pentru a începe redarea.

## ÎNTREȚINEREA CD-URILOR

Utilizați întotdeauna un disc compact care poartă marcajul așa cum se arată în imagine.



Note privind manipularea discurilor:

- Scoaterea discului din carcasa sa și încărcarea acestuia.
- Nu atingeți suprafața reflectantă înregistrată.
- Nu lipiți hârtie și nu scrieți nimic pe suprafață.
- Nu deformați discul.

Depozitare

- Depozitați discul în carcasa sa.
- NU expuneți discurile la lumina directă a soarelui sau la temperaturi ridicate, umiditate ridicată sau locuri cu praf.

Curățarea unui disc

- În cazul în care discul se murdărește, ștergeți praful, murdăria și amprentele de degete cu o lavetă moale.
- Discul trebuie curățat de la centru spre margine.
- Nu utilizați niciodată benzen, diluanți, lichide de curățare pentru înregistrări sau spray antistatic.
- Asigurați-vă că închideți ușița pentru CD, astfel încât lentila să nu fie contaminată de praf.
- Nu atingeți lentila.

## **SPECIFICAȚII**

### **GENERAL**

Putere necesară	Curent alternativ 100-240V ~ 60/50Hz Curent continuu 8 baterii de 12V UM-2/C
Consum de energie	15 W
Greutate	Aprox. 1,5 kg
Consum de energie în standby	< 0,5 W
Dimensiuni	Aprox. 348 (Lun.) x 240 (Lăț.) x 148 (Înă.) mm
Temperatură de lucru	+5°C – +35°C

### **SECȚIUNEA RECEPTORULUI**

Gama de frecvențe FM	87,5 – 108 MHz
Gama de frecvențe DAB+	174,928 - 239,200 MHz

### **SECȚIUNEA BLUETOOTH**

Gama de frecvențe BT	2402 – 2480 MHz
EIRP	2,64 dBm

### **SECȚIUNEA PENTRU CD**

Unitate optică	3 – Lasere cu fascicul
Răspunsul în frecvență	100 Hz – 16 kHz

### **SECȚIUNEA AUDIO**

Puterea de ieșire	2 x 2 W RMS
-------------------	-------------

### **ACCESORII**

Broșură cu instrucțiuni, Cablu de curent alternativ, Telecomandă

**NE REZERVĂM DREPTUL DE A MODIFICA SPECIFICAȚIILE TEHNICE.**



Informații despre produs și despre rețeaua de puncte de service pot fi găsite la adresa de internet [www.JVCAUDIO.ro](http://www.JVCAUDIO.ro)



**AVERTIZARE:** NU UTILIZAȚI ACEST PRODUS LÂNGĂ APĂ, ÎN ZONE UMEDE, PENTRU A EVITA INCENDIUL, VĂTĂMAREA CORPORALĂ SAU ELECTROCUTAREA. OPRIȚI ÎNTOTDEAUNA PRODUSUL CÂND NU ÎL UTILIZAȚI SAU ÎNAINTE DE O REVIZIE. ÎN ACEST APARAT NU EXISTĂ PIESE CARE SĂ POATĂ FI REPARATE DE CĂTRE CLIENT. APELAȚI ÎNTOTDEAUNA LA UN SERVICE CALIFICAT AUTORIZAT. PRODUSUL SE AFLĂ SUB O TENSIUNE PERICULOASĂ.



PENTRU A EVITA PERICOLUL DE SUFOCARE, NU LĂSAȚI PUNGA DIN PLASTIC LA ÎNDEMÂNA BEBELUȘILOR ȘI A COPIILOR. NU UTILIZAȚI ACEASTĂ PUNGĂ ÎN PATURI OBIȘNUITE, PATURI PENTRU COPII, CĂRUȚIOARE PENTRU COPII SAU ȚARCURI PENTRU COPII. ACEASTĂ PUNGĂ NU ESTE O JUCĂRIE.

### **Eliminarea echipamentelor electrice și electronice uzate (valabilă în țările Uniunii Europene și în alte țări europene cu sisteme de colectare separate)**



Acest simbol aflat pe produs sau pe ambalajul produsului indică faptul că acest produs nu trebuie tratat drept deșeu menajer. În schimb, produsul trebuie predat la punctul de colectare aplicabil pentru reciclarea echipamentelor electrice și electronice. Asigurându-vă că acest produs este eliminat în mod corect, veți ajuta la prevenirea posibilelor consecințe negative asupra mediului și asupra sănătății umane care altfel ar putea fi cauzate de manipularea inadecvată a deșeurilor acestui produs. Reciclarea materialelor contribuie la conservarea resurselor naturale. Pentru informații mai detaliate privind reciclarea acestui produs, vă rugăm să contactați primăria locală, serviciul local de eliminare a deșeurilor menajere sau magazinul de la care ați achiziționat produsul.

Prin prezenta, ETA a.s. declară că echipamentul radio de tip RD-E661B-DAB este conform cu Directiva 2014/53/UE. Textul integral al Declarației de conformitate UE este disponibil la următoarea adresă Internet: [www.JVCAUDIO.cz/doc](http://www.JVCAUDIO.cz/doc)

## ВЪВЕДЕНИЕ

- Благодарим ви за закупуването на нашия продукт.
- Моля, прочетете изцяло това Ръководство, за да знаете как да работите правилно с уреда. След като завършите четенето на това Ръководство, го поставете на подходящо място, за бъдещи справки.

## ПРЕДУПРЕЖДЕНИЕ

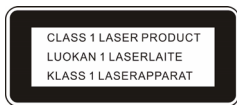
За да се предотврати опасността от запалване или електрически удар, не излагайте уреда на дъжд или влага. За да избегнете електрически удар, не отваряйте корпуса на уреда; оставете сервизното обслужване само на квалифициран персонал.

## ВНИМАНИЕ

Работа с елементите за управление или настройките или ползване на уреда по начини, различни от описаните тук, може да доведе до излагане на опасно излъчване.

## ОПАСНОСТ

Възможно е невидимо лазерно излъчване при отваряне на корпуса, ако предпазната блокировка не работи. Избягвайте пряко излагане на въздействието на лазерния лъч.



Този CD плеър е класиран като Class 1 LASER PRODUCT (ЛАЗЕРНО УСТРОЙСТВО от Клас 1). На задната страна на уреда отвън е поставен етикет CLASS 1 LASER PRODUCT (ЛАЗЕРНО УСТРОЙСТВО ОТ КЛАС 1).

*ЗАБЕЛЕЖКА: Производителят не е отговорен за възникнали смущения при радио и ТВ приемници, причинени от самоволни изменения на уреда. Те могат да доведат до отпадане на правото на потребителя да го ползва.*

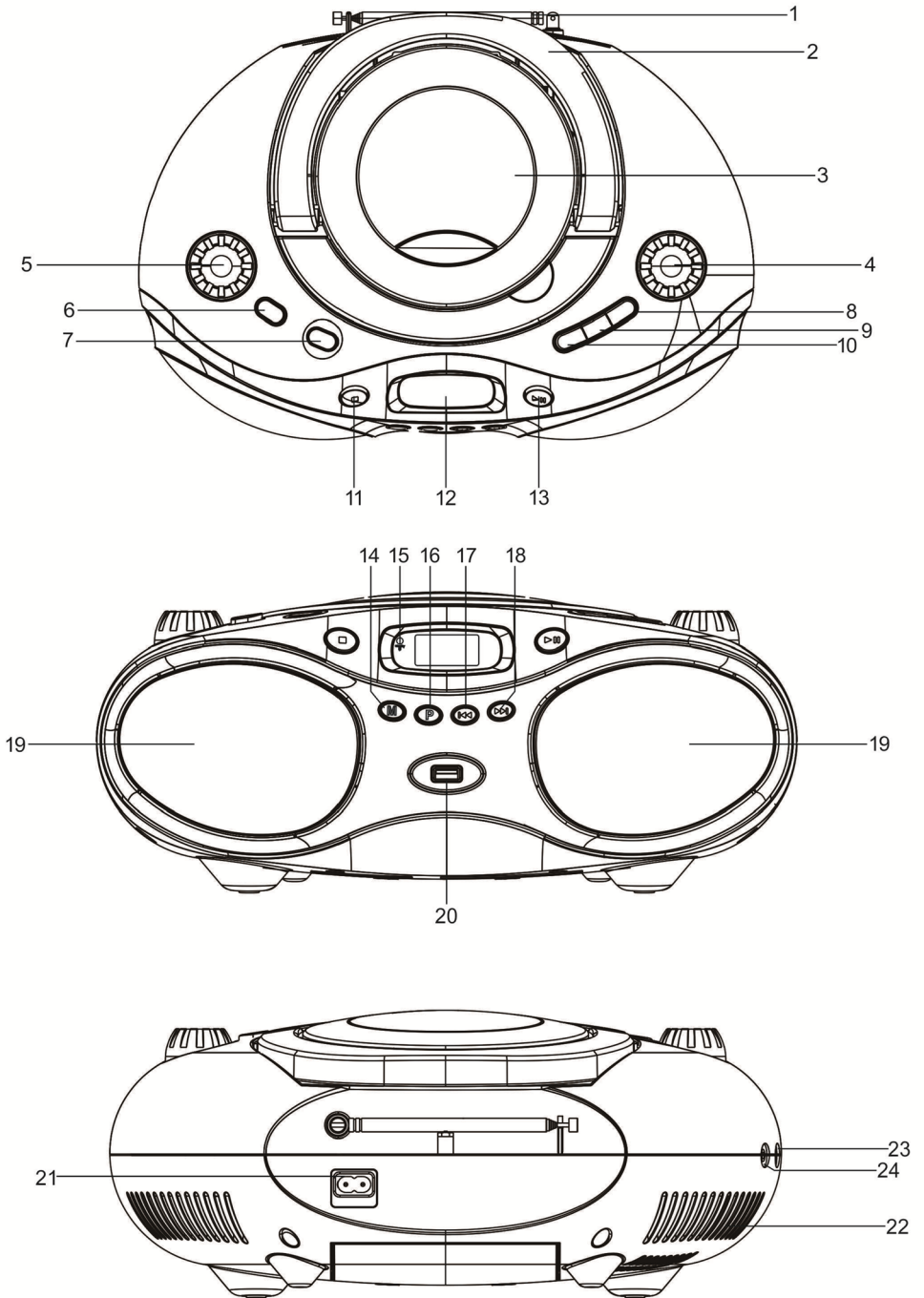
- Избягвайте поставяне на уреда на места, описани по-долу:
  - Места, изложени на пряка слънчева светлина или близо до уреди, излъчващи топлина като електрически радиатори или върху стереоуредби, които отделят силна топлина.
  - Места без вентилация или силно запрашени.
  - Места, изложени на постоянни вибрации.
  - Влажни или мокри места.
- Ползвайте ръкохватките и превключвателите както е указано в Ръководството за експлоатация.
- Преди да включите захранването на уреда за първи път, се уверете, че мрежовият кабел е правилно поставен.

**ПРЕДУПРЕЖДЕНИЕ:** Извадете батериите, ако са изтощени или ако няма да бъдат ползвани дълго време. Неправилната употреба на батериите може да доведе до протичане на електролита им и съответно - корозия на отсека им или възпламеняване на батериите, затова:

- Не смесвайте батерии от различен вид, например алкални с въглеродно-цинкови.
- Когато поставяте нови батерии, заменяйте всички едновременно.

Не поглъщайте батерията - опасност от химическо изгаряне (с нея е снабдено дистанционното устройство). Този продукт съдържа батерийка, подобна на монета. Ако тя бъде погълната, може да причини тежки вътрешни изгаряния само за 2 часа и дори да причини смърт. Дръжте новите и изтощените батерии далеч от деца. Ако отсеъкът за батерии не се затваря добре, престанете да ползвате уреда и го оставете на място, недостъпно за деца. Ако сметнете, че батерия е била погълната или напъхана в някоя част на тялото, веднага потърсете медицинска помощ.

# МЕСТОПОЛОЖЕНИЕ НА ЕЛЕМЕНТИТЕ ЗА УПРАВЛЕНИЕ



1. УКВ (FM) АНТЕНА
2. ДРЪЖКА
3. ОТСЕК ЗА CD
4. РЪКОХВАТКА ЗА НАСТРОЙКА
5. РЪКОХВАТКА ЗА СИЛА НА ЗВУКА
6. БУТОН BASS
7. БУТОН STANDBY
8. БУТОН 10/FOLD./M.+
9. БУТОН 10/FOLD./M.-
10. БУТОН FUNC.
11. БУТОН ■ /MENU/INFO
12. LCD ДИСПЛЕЙ
13. БУТОН ►/PAIR/ SELECT
14. БУТОН P-MODE
15. ИНДИКАТОР STANDBY
16. БУТОН PROG./MEM.
17. БУТОН ◀◀/TUN-
18. БУТОН ▶▶/TUN+
19. ВИСОКОГОВОРИТЕЛ
20. USB ПОРТ
21. СЪЕДИНИТЕЛ ЗА КАБЕЛА ЗА МРЕЖОВО ЗАХРАНВАНЕ
22. ВЕНТИЛАЦИОННИ ОТВОРИ
23. ВХОДЕН ЖАК AUX IN (ВЪНШНИ УСТРОЙСТВА)
24. ИЗХОДЕН ЖАК ЗА СЛУШАЛКИ

## ИЗТОЧНИК НА ЗАХРАНВАНЕ

Уредът е конструиран за захранване от променливотокова мрежа (AC) или с постоянно напрежение от батерии (DC).

## РАБОТА СЪС ЗАХРАНВАНЕ ОТ ЕЛ.МРЕЖА

Вкарайте съответния край на мрежовия кабел в гнездото за мрежово захранване на уреда и щепсела на кабела - в подходящ стенен контакт. Уредът автоматично се изключва.

## РАБОТА НА БАТЕРИИ

Отворете ВРАТИЧКАТА НА ОТСЕКА ЗА БАТЕРИИ Поставете 8 броя батерии UM-2/C в отсека (не са в комплекта). Внимавайте да спазите указаната полярност

## ВНИМАНИЕ

- Извадете батериите, ако са изтощени или няма да се ползват дълго време.
- Батериите съдържат химически вещества, затова трябва да бъдат изхвърляни екологично правилно.

## ДИСТАНЦИОННО УПРАВЛЕНИЕ

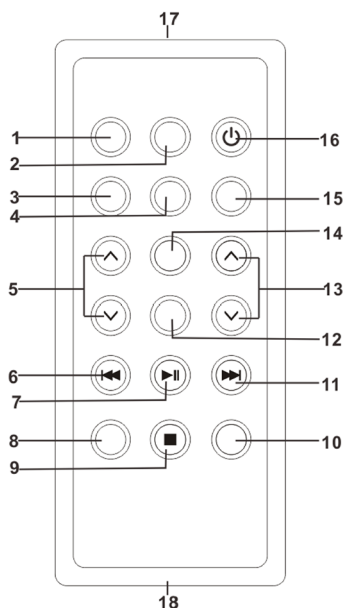
### РАБОТА С ДИСТАНЦИОННОТО УПРАВЛЕНИЕ

За да управлявате плеъра с помощта на ръчния уред за дистанционно управление, насочете излъчвателя на уреда към челния панел на плеъра и натиснете бутона за желаната функция.

Дистанционното управление работи най-добре в диапазон до 6-7 метра от челния панел на плеъра, при ъглово отклонение до 30 градуса. Пряка слънчева светлина или осветяване на челния панел от лампи в помещението могат да попречат на правилната работа на дистанционното управление. Ако дистанционното управление е нестабилно или престане да действа, първо пробвайте да замените батериите на ръчното дистанционно управление, а след това намалете осветяването на челния панел на уреда от странична светлина.

### ПОСТАВЯНЕ НА ЛИТИЕВА БАТЕРИЯ В ДИСТАНЦИОННОТО УПРАВЛЕНИЕ

Ръчният уред за дистанционно управление съдържа една литиева батерия тип CR2025 (3 V). За да замените батерията, внимателно изместете капачето в правилната посока според указанияето и след това отворете отсека ѝ. Извадете изтощената батерия от отсека и поставете нова литиева батерия (CR-2025), като внимавате за правилната полярност. След това затворете отсека с капачето докато чуете щракване.



1. БУТОН FUNC.
2. БУТОН MUTE
3. БУТОН MEMORY
4. БУТОН BASS
5. БУТОН 10/M./ Fold. UP/DOWN
6. БУТОН CD B-SKIP ◀◀/TUN-
7. БУТОН CD ▶▶/SELECT
8. БУТОН P-MODE
9. БУТОН ■/MENU
10. БУТОН PAIR
11. БУТОН CD F-SKIP ▶▶/TUN+
12. БУТОН ID3
13. БУТОН VOLUME UP/DOWN
14. БУТОН INFO
15. БУТОН MO/ST
16. БУТОН ⏻ STANDBY
17. ИЗПЪЛЧВАТЕЛ НА ДИСТАНЦИОННОТО УПРАВЛЕНИЕ
18. ОТСЕК ЗА БАТЕРИИТЕ

## ОСНОВНИ ФУНКЦИИ

### ВКЛЮЧВАНЕ НА УРЕДА

След като включите кабела на мрежовото захранване, натиснете бутона **STANDBY**, за да активирате уреда. Натиснете бутона **FUNC.** на уреда или на дистанционното управление, за да изберете желаната функция - **TUNER / CD / USB / AUX/ DAB** или **BLUETOOTH**.

**ЗАБЕЛЕЖКА:** В режим **CD / USB / AUX / BT** когато не се ползва в течение на 15 минути, уредът автоматично ще премине в състояние на (пасивна) Готовност (standby). За да включите отново уреда, натиснете бутона **STANDBY**. или откачете и отново включете кабела на уреда.

**ESD съвети (Влияние на електростатичността)** - Ако уредът се самоизключи или промени функциите си вследствие на електростатичен разряд, просто изключете захранването му и го включете отново.

### НАСТРОЙКА НА СИЛАТА НА ЗВУКА

Завъртете ръкохватката **VOLUME** на уреда или натиснете бутона **VOLUME UP/DOWN** за да увеличите или намалите силата на звука.

### ФУНКЦИЯ BASS (БАСИ)

Натиснете бутона **BASS**, за да активирате ефекта на усилен баси.

### ЖАК HEADPHONE (СЛУШАЛКИ)

За да слушате без да пречите на околните, включете слушалки (невключени в комплекта) с 3,5 mm жак в изходния жак HEADPHONE (Слушалки). Високоговорителят (SPEAKER) автоматично ще се изключи.

**ВНИМАНИЕ:** ПРОДЪЛЖИТЕЛНО СЛУШАНЕ СЪС СИЛЕН ЗВУК МОЖЕ ДА УВРЕДИ СЛУХА ВИ.

## РАБОТА С FM СТАНЦИИ

### НАСТРОЙКА НА РАДИОСТАНЦИИ

1. Натиснете бутона **FUNC.** на уреда или на дистанционното управление, за да изберете функцията **TUNER.** Този уред е конструиран само за УКВ (FM ONLY).
2. Настройте на желаната станция като въртите ръкохватката **TUNING** (НАСТРОЙКА) на уреда или натиснете бутона **▶▶/TUN+** или **◀◀/TUN-** на дистанционното управление. Дисплеят ще покаже избраната честота. Пример: FM 97.10 MHz. Ако радиото приема стереосигнал, на дисплея ще се показва "STEREO".
3. Изтеглете докрай телескопичната УКВ антена и внимателно местете уреда напред-назад, за да постигнете най-добър сигнал или го преместете на по-открито място.
4. За да изключите радиото, натиснете бутона **FUNC.** (ФУНКЦИЯ) на уреда или на дистанционното управление за да превключите на друга функция или натиснете бутона **STANDBY** (ГОТОВНОСТ) за да деактивирате уреда.

### АВТОМАТИЧНО СКАНИРАНЕ (ТЪРСЕНЕ) НА РАДИОСТАНЦИЯ

Натиснете и задръжте бутона **▶▶/SCAN/SELECT**, при което уредът ще изпълнява автоматично търсене, докато намери радиостанция със силен сигнал. Уредът ще започне да възпроизвежда (програма) P01 след като търсенето завърши. Натиснете бутона **10/FOLD./M.+** или **/M.-** на уреда или на дистанционното управление, за да изберете следващата/предходната програмирана станция.

### РАБОТА С ПАМЕТТА ЗА РАДИОСТАНЦИИ

Можете да запаметите до 30 УКВ (FM) радиостанции в паметта според предпочитанията си, така че да избирате пряко и бързо желаната радиостанция, без да я търсите наново.

1. Завъртете ръкохватката **TUNING** (НАСТРОЙКА) на уреда, за да изберете първата желана радиостанция.
2. Натиснете и задръжте бутона **PROG./MEM.** на уреда или бутона **MEMORY** на дистанционното управление, при което на дисплея ще мига "**PRESET STORE**". Натиснете бутона **▶▶/TUN+** или **◀◀/TUN-**, за да изберете желаната поредица, която искате да запаметите, след което натиснете отново бутона **▶▶/SCAN/SELECT**, за да потвърдите.
3. Потърсете друга радиостанция, повторете стъпки 1 и 2, докато запаметите всички желани радиостанции. Могат да бъдат програмирани (запаметени) до 30 радиостанции.
4. Натиснете бутона **10/FOLD./M.+** или **/M.-** за да изберете и слушате пряко желаната запаметена радиостанция.

### РАБОТА С ЦИФРОВИ (DAB) РАДИОСТАНЦИИ

Режимът DAB приема сигнала от цифрови радиостанции от вида DAB/DAB+ и показва на дисплея информация за радиостанцията и програмата/възпроизвежданата пътечка. Натиснете бутона **FUNC.** докато дисплеят покаже "**Welcome to DAB**".

### СИСТЕМА

Настройката Система ви позволява да изберете езика на дисплея, да възстановите заводските настройки и да видите версията на софтуера.

## ЕЗИК

Избор на друг език за съобщенията на дисплея. Натиснете и задръжте бутона **■/MENU/INFO** за да влезете в менюто, изберете опцията **“System”** (Система ) и натиснете бутона **▶▶/SCAN/SELECT** за да влезете, изберете **“Language”** (Език) и натиснете бутона **▶▶/TUN+** или **◀◀/TUN-** за да изберете желанния език, след което натиснете бутона **▶▶/SCAN/SELECT** за да потвърдите.

## ВРЪЩАНЕ НА ФАБРИЧНИТЕ НАСТРОЙКИ

Функцията Factory reset (Връщане на фабричните настройки) може да помогне да се анулират всички дефинирани от потребителя настройки и да се заменят с оригиналните настройки по подразбиране, включително списъка на цифровите (DAB) радиостанции и запаметените радиостанции. Натиснете и задръжте бутона **■/MENU/INFO** за да влезете в менюто, изберете опцията **“System”** (Система ) и натиснете бутона **▶▶/SCAN/SELECT** за да влезете; изберете **“Factory reset”** (Връщане на фабричните настройки), натиснете бутона **▶▶/TUN+** или **◀◀/TUN-** за да изберете **Да** или **Не**, след което натиснете бутона **▶▶/SCAN/SELECT** за да потвърдите.

## ВЕРСИЯ НА СОФТУЕРА

Тази функция показва текущата версия на софтуера. Натиснете и задръжте бутона **■/MENU/INFO** за да влезете в менюто, изберете опцията **“System”** (Система ) и натиснете бутона **▶▶/SCAN/SELECT** за да влезете, изберете опцията **“SW version”** (Версия SW) след което натиснете бутона **▶▶/SCAN/SELECT** за да видите текущата версия на софтуера.

## СКАНИРАНЕ (ТЪРСЕНЕ) НА РАДИОСТАНЦИИ

1. За да направите пълно сканиране, натиснете и задръжте бутона **■/MENU/INFO** за да влезете в менюто, изберете опцията **“Full scan”** (Пълно сканиране) и натиснете бутона **▶▶/SCAN/SELECT** за да потвърдите. След като пълното сканиране завърши, радиоприемникът се връща към възпроизвеждане на последната избрана радиостанция или първата от списъка с радиостанции.
2. За да избирате от списъка със сканирани радиостанции, натиснете бутона **▶▶/TUN+** или **◀◀/TUN-** за да преминавате през списъка с радиостанции и натиснете бутона **▶▶/SCAN/SELECT**, за да потвърдите. Екранът **“Now playing”** (Възпроизвеждане) показва данни за новата радиостанция.
3. За да премахнете станциите, които са в списъка, но не са достъпни, натиснете и задръжте бутона **■/MENU/INFO** за да влезете в менюто, изберете опцията **“Prune”** (Съкращаване) и натиснете бутона **▶▶/SCAN/SELECT** за да влезете, натиснете бутона **▶▶/TUN+** или **◀◀/TUN-** за да изберете опцията **Да** или **Не**, след което натиснете бутона **▶▶/SCAN/SELECT**, за да потвърдите. Това премахва всички недействителни радиостанции, показани в списъка с радиостанции с въпросителен знак **“?”** пред името им.

## ЗАПАМЕТЕНИ РАДИОСТАНЦИИ

За да запаметите радиостанция в паметта, настройте уреда на радиостанцията, която желаете и натиснете бутона **PROG./MEM.** докато дисплеят покаже **“Preset Store”** (Памет програми). Ползвайте бутона **▶▶/TUN+** или **◀◀/TUN-** за да изберете позиция в паметта (например, **“Preset 1”**(Запам. програми 1)) и натиснете бутона **▶▶/SCAN/SELECT** за да потвърдите. Повторете тази операция, за да запаметите до 30 радиостанции.

## РЪЧНО НАСТРОЙВАНЕ

За да направите ръчно настройване на радиостанция, натиснете и задръжте бутона **■ /MENU/INFO** за да влезете в менюто, изберете опцията **“Manual tune”** (Ръчна настройка) и натиснете бутона **▶II/SCAN/SELECT** за да потвърдите. Ползвайте бутона **▶▶/TUN+** или **II/←/TUN-** за да се настроите на желаните радиостанции.

## ИНФОРМАЦИЯ В МОМЕНТА СЕ ВЪЗПРОИЗВЕЖДА

Когато се възпроизвежда дадена радиостанция, дисплеят показва името ѝ и информация от вида DLS (Допълнителни сведения), например името на програмата, заглавие на аудиопътечката и възможни контакти. За да видите допълнителната информация, натискайте последователно бутона **■ /MENU/INFO** за да видите следващия сегмент информация: DLS text, DL Plus (показва се само ако се излъчва от радиостанцията), сила на сигнала, тип на програмата, име на изпълнителя, номер на канала/честота, грешки на сигнала и скорост на данните.

## ДИНАМИЧНА КОМПРЕСИЯ НА ДИАПАЗОНА (DRC)

Тази функция помага да се намали разликата между най-силната и най-слабата интензивност на аудиосигнала, излъчван от радиостанцията. Тя прави тихите звуци относително по-гърмки, а гърмките звуци - относително по-тихи. За тази функция, наличните опции са: **DRC/Изключена**. За да промените настройката на функцията DRC, натиснете и задръжте бутона **■ /MENU/INFO** за да влезете в менюто, изберете опцията **“DRC”** и с бутона **▶II/SCAN/SELECT** изберете желаната опция.

## РАБОТА С CD/MP3

### ДИСКОВЕ ЗА ВЪЗПРОИЗВЕЖДАНЕ

Тази система може да възпроизвежда всички цифрови аудио CD, MP3, финализирани CD-R дискове, финализирани презаписваеми (CD-RW) дискове, както и цифрови аудио дискове във формат CD-DA (CD/CD-R/CD-RW).

## ПОСТАВЯНЕ НА ДИСК

1. Натиснете бутона **FUNC.** за да изберете режим **CD**.
2. Отворете вратичката на отсека за CD. На дисплея се показва **“OPEN”**.
3. Поставете аудио CD в отсека, с етикета нагоре.
4. Затворете вратичката на отсека за CD. Дисплеят ще показва мигащо **“CD--READING”**, след което ще се покаже общият брой пътечки и възпроизвеждането ще започне.
5. За да извадите компакт-диска, натиснете бутона **■ /MENU/INFO** за да спрете възпроизвеждането, след което отворете капака на отсека за CD. Хванете компакт-диска за ръбовете му и го извадете внимателно.

*Забележка:*

*Уверете се, че дискът е спрял, преди да отворите отсека за CD.*

*За да осигурите добро поведение на системата, изчакайте докато прочитането на диска приключи, преди да преминете по-нататък.*

*Ако в отсека няма поставен диск или той е с етикета надолу, дисплеят ще показва **“NO DISC”**.*



## ВЪЗПРОИЗВЕЖДАНЕ НА КОМПАКТДИСК

1. Възпроизвеждането на диска започва автоматично от пътечка 1.
2. За да направите пауза при възпроизвеждане, натиснете бутона **▶II/SCAN/SELECT**. На дисплея ще мига текущото време за възпроизвеждане и "PLAY". За да възобновите възпроизвеждането, натиснете отново бутона **▶II/SCAN/SELECT**.
3. За да спрете възпроизвеждането, натиснете бутона **■/MENU/INFO**, като на дисплея ще се покаже общият брой на пътечките.

## ИЗБОР НА ЖЕЛАНА ПЪТЕЧКА/ПАСАЖ

### За да изберете желана пътечка

Натиснете няколкократно бутона **▶▶I/TUN+** или **◀◀I/TUN-** в режим Стоп или по време на възпроизвеждане, докато на дисплея се появи желаната пътечка. Възпроизвеждането ще започне автоматично.

### За да търсите конкретен пасаж по време на възпроизвеждане (сканиране на пътечките при висока скорост)

Натиснете и задръжте бутона **▶▶I/TUN+** или **◀◀I/TUN-**, за да сканирате текущо възпроизвежданата пътечка при висока скорост докато чуete желания пасаж, след което отпуснете бутона. Възпроизвеждането ще започне отново от тази точка.

### За да изберете песен, чиято пътечка е с номер по-голям от 10 (само за USB/MP3)

За да изберете песен/пътечка чийто номер по-голям от 10, натиснете бутона **10/FOLD./M.+** или **/M.-** всеки път, когато искате да прескочите напред/назад 10 пътечки и след това натиснете бутона **▶▶I/TUN+** или **◀◀I/TUN-**, за да изберете желаната пътечка.

### За избор на желана папка (Folder) (за USB/MP3 съдържащи повече от 1 папка)

За да изберете желана папка (folder), натиснете и задръжте бутона **10/FOLD./M.+** или **/M.-**, за да преминете в следващата/предходната папка.

## ПРОГРАМИРАНЕ НА ПЪТЕЧКИ

Програмирането на пътечки от диск са възможни когато възпроизвеждането е спряно. В паметта могат да бъдат запазени в произволна последователност до 20 пътечки на CD / 99 пътечки на MP3 .

1. В режим Стоп, натиснете бутона **PROG./MEM.**, за да влезете в режим на работа с паметта, при което на дисплея ще мига лого "MEM" и "P01".
2. Натиснете бутона **▶▶I/TUN+** или **◀◀I/TUN-** / **10/FOLD./M.+** или **/M.-** за да изберете първата желана пътечка за програмиране.
3. Натиснете отново бутона **PROG./MEM.** на уреда. Дисплеят ще покаже "P02".
4. Повторете стъпки 1 и 3, за да запазите други желани пътечки, докато всички възможни пътечки бъдат програмирани.
5. Натиснете бутона **▶II/SCAN/SELECT** за да започнете възпроизвеждане от първата програмирана пътечка.
6. Натиснете бутона **▶▶I/TUN+** или **◀◀I/TUN-** за да изберете следващата/предходната програмирана пътечка.
7. Натиснете бутона **■/MENU/INFO**, за да спрете програмираното възпроизвеждане. За да изтриете програмата, можете да натиснете бутона **■/MENU/INFO** когато дискът спре или да отворите отсека за CD; тогава програмата ще се изтрие.

## ПОВТОРЕНИЕ

### За Повторение на една пътечка

1. По време на възпроизвеждане натиснете бутона **P-MODE**, при което дисплеят ще покаже **"REP-1"** и текущата пътечка ще се възпроизвежда отново и отново, докато натиснете бутона **■ /MENU/INFO**.
2. За да прекратите повтарящото се възпроизвеждане, натиснете бутона **P-MODE** на уреда докато **"REP-1"** излезне от дисплея.

### За Повторение на всички пътечки

1. Натиснете бутона **P-MODE** докато **"REP-ALL"** се покаже неподвижно (без да мига) на дисплея. При това всички пътечки на диска ще се възпроизвеждат отново и отново докато натиснете бутона **■ /MENU/INFO**.
2. За да прекратите повтарящото се възпроизвеждане, натиснете бутона **P-MODE** на уреда докато **"REP-ALL"** излезне от дисплея.

### За Повторение на текущата папка (за USB/MP3 съдържачи повече от 1 папка)

1. Натиснете бутона **P-MODE** на уреда докато **"REP-DIR"** се покаже неподвижно (без да мига) на дисплея. При това текущата папка ще се възпроизвежда отново и отново докато натиснете бутона **■ /MENU/INFO**.
2. За да прекратите повтарящото се възпроизвеждане, натиснете бутона **P-MODE** на уреда докато **"REP-DIR"** излезне от дисплея.

## НЕПОСЛЕДОВАТЕЛНО ВЪЗПРОИЗВЕЖДАНЕ

Натиснете бутона **P-MODE** на уреда в режим Play (Възпроизвеждане) докато **"SHUFFLE"** се покаже неподвижно (без да мига) на дисплея. При това автоматично ще започне неопределено възпроизвеждане от следващата пътечка докато се изредят всички пътечки, след което възпроизвеждането ще спре. Натиснете еднократно бутона **P-MODE** за да отмените функцията.

## ФУНКЦИЯ INTRO

Натиснете бутона **P-MODE** в режим на възпроизвеждане докато на дисплея се покаже стабилно **"INTRO"**, при което ще започне възпроизвеждане Intro със сканиране по 10 секунди за всяка пътечка. За да прекратите възпроизвеждането Intro, натиснете бутона **P-MODE** докато **"INTRO"** излезне от дисплея.

## РАБОТА С USB

1. Натиснете бутона **FUNC.** за да изберете режим **USB**.
2. Включете USB устройството във входния съединител USB на плеъра. Дисплеят ще покаже общият брой пътечки и папки, записани в USB устройството. След разпознаване на USB устройството, плеърът ще започне автоматично възпроизвеждане.
3. За да направите пауза при възпроизвеждане, натиснете бутона **▶||/SCAN/SELECT**. На дисплея ще се появи текущото време на възпроизвеждане. За да възобновите възпроизвеждането, натиснете отново бутона **▶||/SCAN/SELECT**.
4. Натиснете бутона **■ /MENU/INFO**, за да спрете възпроизвеждането. Дисплеят ще покаже общият брой пътечки и папки, записани в USB устройството.
5. Можете да прилагате повтарящо се възпроизвеждане (1 пътечка - папка - всички пътечки - непоследователно възпроизвеждане - функция intro), по начина, описан по-напред в РАБОТА СЪС CD/MP3.

**ВНИМАНИЕ:** Поддържат се 32GB (USB). Не ползвайте удължителен USB кабел за свързване на USB разклонител, тъй като това може да причини вредни смущения.

## РАБОТА С БЛУТУУТ (BLUETOOTH)

1. Натиснете бутона **FUNC.**(ФУНКЦИЯ) , за да преминете към функция **BLUETOOTH** , при което дисплеят ще покаже **“BT MODE”** с мигащо **“UNCONNECT”** (НЕСВЪРЗАН).
2. Включете функцията Bluetooth на уреда, посочете типа на уреда като **“JVC RD-E661B-DAB” / “JVC RD-E661W-DAB”** и направете блутуут-свързване, след което въведете парола 0000, ако бъде поискана. След като свързването бъде направено, на дисплея ще се показва стабилно (без да мига) **“BT MODE CONNECT”** .
3. Натиснете бутона **▶II/SCAN/SELECT** на уреда или клавиша Play, за да започнете възпроизвеждане.
4. Ако уредът не може да се свърже със съответното блутуут устройство в рамките на 2 минути, натиснете и задръжте бутона **▶II/SCAN/SELECT** на уреда, за да повторите опита за свързване.
5. Завъртете ръкохватката **VOLUME** до желаната сила на звука.
6. Натиснете бутона **▶II/TUN+** или **◀I/TUN-** на уреда или на дистанционното управление, за да изберете желаната пътечка.
7. За да спрете възпроизвеждането натиснете бутона **▶II/SCAN/SELECT**.

*Забележка: Функцията Блутуут (Bluetooth) работи най-добре в обхвата до 10 метра между устройствата.*

## ОПЕРАЦИЯ С AUX IN

Този уред разполага с 3.5mm входен жак AUX IN, който позволява други устройства да се свързват с уреда и сигналът им да бъде усилен.

1. Натиснете бутона **FUNC.** за да изберете режим **AUX**.
2. Свържете единия край на аудио кабела (не е включен в комплекта) във входния жак **AUX IN** на уреда, а другия край - в изходния жак **AUDIO OUT** на външното устройство.
3. Настройте силата на звука на главното устройство до желаното ниво.
4. Натиснете бутона **PLAY** на външното аудио устройство (например MP3 плеър), за да започне възпроизвеждането.

## ПОДДЪРЖАНЕ НА КОМПАКТ-ДИСКОВЕТЕ

Винаги ползвайте компакт дискове с показаната тук марка.



Бележки за работата с дискове:

- Изваждане на диска от кутията му и зареждане.
- Не пипайте огледалната страна със записа.
- Не залепвайте хартия и не пишете нищо върху повърхността.
- Не огъвайте диска.

Съхраняване

- Съхранявайте диска в кутията му.
- Не излагайте дисковете на пряка слънчева светлина или висока температура, висока влажност или запрашаване.

Почистване на диск

- Ако дискът е замърсен, избършете праха, замърсяванията и отпечатьците от пръсти с мека кърпа.
- Дискът трябва да се почиства от центъра към края.
- Никога не ползвайте бензин, разреждатели, почистващи течности или анти-електростатичен спрей.
- Не забравяйте да затваряте вратичката на отсека за CD, за да не се запрашават оптичните лещи на плеъра.
- Не докосвайте лещите.

## СПЕЦИФИКАЦИИ

### ОБЩИ

Мрежово захранване	Променлив ток (AC) 100-240V ~ 60/50Hz Постоянен ток (DC) Батерии 12V тип UM-2/C × 8 броя
Консумирана мощност	15 W
Консумирана мощност - Готовност	< 0,5 W
Тегло	приблизително 1,5 kg
Размери	приблизително 346 (Ш) x 240 (Д) x 148 (В) mm
Околна температура при работа	+5°C – +35°C

### СЕКЦИЯ РАДИОПРИЕМНИК

FM Честотен диапазон	87,5 – 108 MHz
DAB+ Честотен диапазон	174,928 - 239,200 MHz

### СЕКЦИЯ БЛУТУУТ

BT Честотен диапазон	2402 – 2480 MHz
EIRP	2,64 dBm

### CD СЕКЦИЯ

Четяща оптика	3-лъчев лазер
Честотна лента	100 Hz – 16 kHz

### ФУНКЦИЯ АУДИО

Изходна мощност	2 x 2 W RMS (еф.стойност)
-----------------	---------------------------

### ПРИНАДЛЕЖНОСТИ

Книжка с Ръководство за експлоатация, Мрежов кабел, Дистанционно управление

**ЗАПАЗВАМЕ ПРАВОТО СИ НА ПРОМЯНА НА ТЕХНИЧЕСКИТЕ ХАРАКТЕРИСТИКИ.**



**ПРЕДУПРЕЖДЕНИЕ:** НЕ ПОЛЗВАЙТЕ ТОЗИ УРЕД БЛИЗО ДО ВОДА ИЛИ ВЛАЖНИ МЕСТА, ЗА ДА СЕ ИЗБЕГНЕ ВЪЗПЛАМЕНЯВАНЕ ИЛИ НАРАНЯВАНЕ ОТ ЕЛЕКТРИЧЕСКИ УДАР. ВИНАГИ ИЗКЛЮЧВАЙТЕ УРЕДА КОГАТО НЕ ГО ПОЛЗВАТЕ ИЛИ ПРЕДИ СЕРВИЗНО ОБСЛУЖВАНЕ. В ТОЗИ УРЕД НЯМА ЧАСТИ, КОИТО МОГАТ ДА БЪДАТ РЕМОНТИРАНИ ОТ ПОТРЕБИТЕЛЯ. ВИНАГИ СЕ ОБРЪЩАЙТЕ КЪМ УПЪЛНОМОЩЕН СЕРВИЗ С КВАЛИФИЦИРАН ПЕРСОНАЛ. УРЕДЪТ СЕ ЗАХРАНВА ОТ ОПАСНО НАПРЕЖЕНИЕ.



ЗА ДА СЕ ИЗБЕГНЕ ОПАСНОСТТА ОТ ЗАДУШАВАНЕ, ДРЪЖТЕ ПЛАСТМАСОВАТА ЧАНТА ДАЛЕЧ ОТ БЕБЕТА И ДЕЦА. НЕ ПОЛЗВАЙТЕ ТАЗИ ЧАНТА В ДЕТСКИ КОШЧЕТА, ДЕТСКИ КОЛИЧКИ ИЛИ ДЕТСКИ КОШАРКИ. ТАЗИ ЧАНТА НЕ Е ИГРАЧКА.

### **Изхвърляне на стари електрически и електронни уреди (Приложимо в Европейския съюз и други европейски страни с разделно събиране на отпадъците)**



Този символ върху продукта или опаковката му показва, че продуктът не трябва да се счита за домашен отпадък. Той трябва да бъде предаден в подходящ пункт за рециклиране на електрическо и електронно оборудване. Когато изхвърлите този продукт екологично правилно, ще помогнете за предотвратяване на потенциално негативните последствия за околната среда и човешкото здраве, които биха били причинени при неправилно изхвърляне на продукта. Рециклирането на материалите ще помогне за запазване на природните ресурси. За по-подробна информация по рециклирането на този продукт, можете да се свържете със съответната служба на общината или службата по чистотата на града или магазина, от който сте закупили продукта.

С настоящето, ETA a.s. декларира, че радиоустройството тип RD-E661B-DAB съответства на Директива на ЕС 2014/53/EU. Пълният текст на Декларацията за съответствие с директивите на ЕС е достъпен на следния Интернет адрес: [www.JVCAUDIO.cz/doc](http://www.JVCAUDIO.cz/doc)



# JVC

This product is manufactured and distributed exclusively by **ETA a.s.**,  
serviced and warranted by its designated partner.  
“**JVC**” is the trademark of **JVCKENWOOD Corporation**,  
used by such company under license.