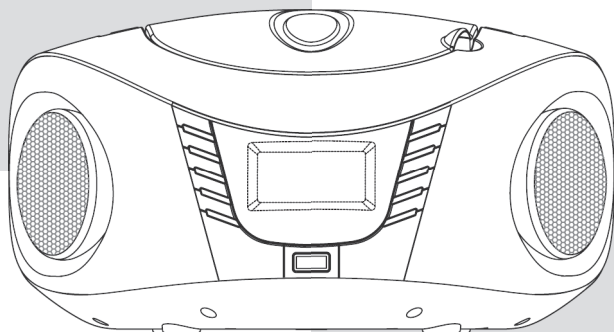


SENCOR®

SPT 3600



USER'S MANUAL

UŽIVATELSKÁ PŘÍRUČKA

POUŽÍVATEĽSKÁ PRÍRUČKA

HASZNÁLATI ÚTMUTATÓ

INSTRUKCJA UŻYTKOWNIKA

**USB/MP3/CD/RADIO
PORTABLE PLAYER**

**PŘENOSNÝ RÁDIOPŘIJÍMAČ
S USB/MP3/CD PŘEHRÁVAČEM**

**PRENOSNÝ RÁDIOPRIJÍMAČ
S USB/MP3/CD PREHRÁVAČOM**

**HORDOZHATÓ RÁDIÓ
USB/MP3/CD LEJÁTSZÓVAL**

**PRZENOŚNY RADIOODBIORNIK
Z ODTWARZACZEM USB/MP3/CD**

EN CZ SK HU PL

WARNING

1. **WARNING:** Please refer the information on exterior bottom enclosure for electrical and safety information before installing or operating the apparatus.
2. **WARNING:** To reduce the risk of fire or electric shock, do not expose this apparatus to rain or moisture. The apparatus shall not be exposed to dripping or splashing and that no objects filled with liquids, such as vases, shall be placed on apparatus.
3. **WARNING:** The battery (battery or batteries or battery pack) shall not be exposed to excessive heat such as sunshine, fire or the like.
4. **WARNING:** The mains plug is used as disconnect device, the disconnect device shall remain readily operable.



5. **WARNING:** Invisible laser radiation when open and interlocks defeated. Avoid exposure to beam of laser.



6. **WARNING:** Correct Disposal of this product. This marking indicates that this product should not be disposed with other household wastes throughout the EU. To prevent possible harm to the environment or human health from uncontrolled waste disposal, recycle it responsibly to promote the sustainable reuse of material resources. To return your used device, please use the return and collection systems or contact the retailer where the product was purchased. They can take this product for environmental safe recycling.
7. No naked flame sources, such as lighted candles, should be placed on the apparatus.
8. Attention should be drawn to environmental aspects of battery disposal.
9. Use of the apparatus in moderate climates.
10. The rating and marking information are located at the bottom of the unit.
11. Excessive sound pressure from earphone and headphones can cause hearing loss.
12. The mains plug of unit should be obstructed or should be easily accessed during intended use.
13. To be completely disconnect the power input, the mains plug of apparatus shall be disconnected from the mains.

CAUTION

**Danger of explosion if battery is incorrectly replaced.
Replace only with the same or equivalent type.**

WARNING

TO PREVENT FIRE OR SHOCK HAZARD DO NOT EXPOSE THIS APPLIANCE TO RAIN OR MOISTURE.

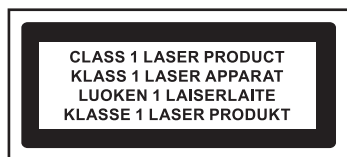


LIGHTNING FLASH WITH ARROWHEAD SYMBOL - within an equilateral triangle, is intended to alert the user to the presence of uninsulated dangerous voltage within the products enclosure that may be of sufficient magnitude to constitute a risk of electric shock to persons.



EXCLAMATION POINT - within an equilateral triangle, is used to indicate that a specific component shall be replaced only by the component specified in that documentation for safety reason.

The following label has been affixed to the unit, listing the proper procedure for working with the laser beam:



CLASS 1 LASER PRODUCT LABEL -

This label is attached to the place as illustrated to inform that the apparatus contains a laser component.

WARNING LABEL INFORMING OF RADIATION -

This label is placed inside the unit. As shown in the illustration. To warn against further measures on the unit. The equipment contains a laser radiating laser rays according to the limit of laser product of class 1.



SAFETY INSTRUCTIONS

1. **READ INSTRUCTIONS** - All the safety and operating instructions should be read before the appliance is operated.
2. **RETAIN INSTRUCTIONS** - The safety and operating instruction should be retained for future reference.
3. **HEED WARNINGS** - All warnings on the appliance and in the operating instructions should be adhered to.
4. **FOLLOW INSTRUCTIONS** - All operating instructions should be followed.
5. **WATER AND MOISTURE** - The appliance should not be used near water, for example, near a bathtub, washbowl, kitchen sink, laundry tub, swimming pool or in a wet basement.
6. **VENTILATION** - The appliance should be situated so that its location or position does not interfere with its proper ventilation. Do not place on bed, sofa, rug or similar surface that may block the ventilation openings, in a built-in installation, such as a bookcase or cabinet that may impede the flow of air through the ventilation openings.
7. **HEAT** - The appliance should be situated away from heat sources such as radiators, stoves, or other appliances (including amplifiers) that produce heat.
8. **POWER SOURCE** - The appliance should be connected to power supply only of the type described in the operating instructions or as marked on the appliance.
9. **POWER CORD PROTECTION** - Power supply cords should be routed so that they are not likely to be walked on or pinched by items placed upon or against them.
10. **POWER LINES** - An outdoor antenna should be located away from power lines.
11. **OBJECT and LIQUID ENTRY** - Care should be taken so that objects do not fall and liquids are not spilled into the enclosure through openings.
12. **ESD WARNING** - The display does not function properly or no reaction to operation of any the control may due to the electrostatic discharge. Switch off and unplug the set. Reconnect after a few seconds.
13. **DAMAGE REQUIRING SERVICE** - The appliance should be serviced by qualified service personnel when:
 - a. The power-supply cord or plug has been damaged.
 - b. Objects have fallen into, or liquid has been spilled into the appliance enclosure.
 - c. The appliance has been exposed to rain.
 - d. The appliance has been dropped, or the enclosure damaged.
 - e. The appliance does not appear to operate normally.
14. **SERVICING** - The user should not attempt to service the appliance beyond that described in the user operating instructions. All other servicing should be referred to qualified service personnel.

Notes:

- a. Dirty or scratched CD may cause a skipping problem. Clean or replace the CD.
- b. If an error display or malfunction occurs, disconnect the AC cord and remove all the batteries. Then turn the power back on.

BEFORE OPERATION

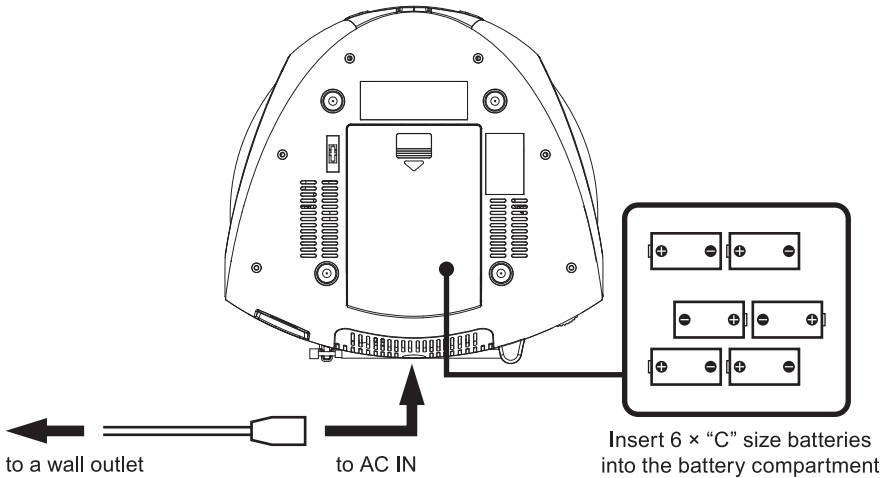
Notes: CONCERNING COMPACT DISCS.

Since dirty, damaged or warped discs may damage the appliance, care should be taken of the following items:

- a. Usable compact discs. Use only compact disc with the mark shown below.
- b. CD compact disc only with digital audio signals.



POWER SOURCES



AC POWER

You can power your portable system by plugging the detachable AC power cord into the AC inlet at the back of the unit and into a wall AC power outlet. Check that the rated voltage of your appliance matches your local voltage. Make sure that the AC power cord is fully inserted into the appliance.

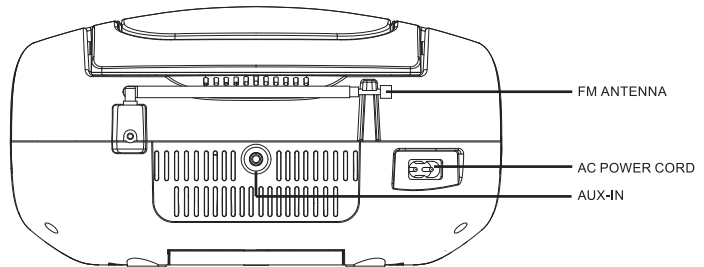
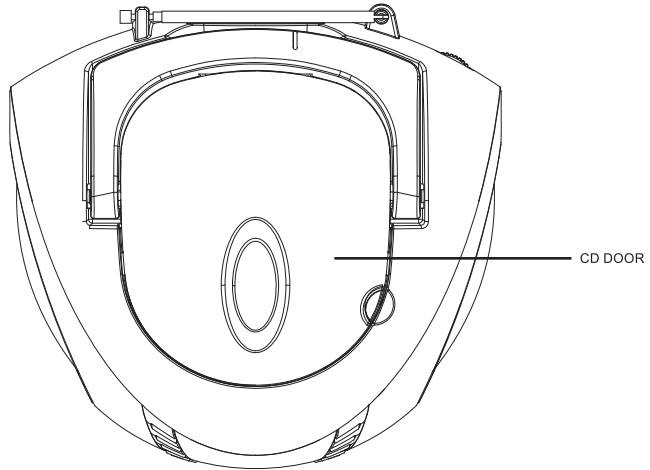
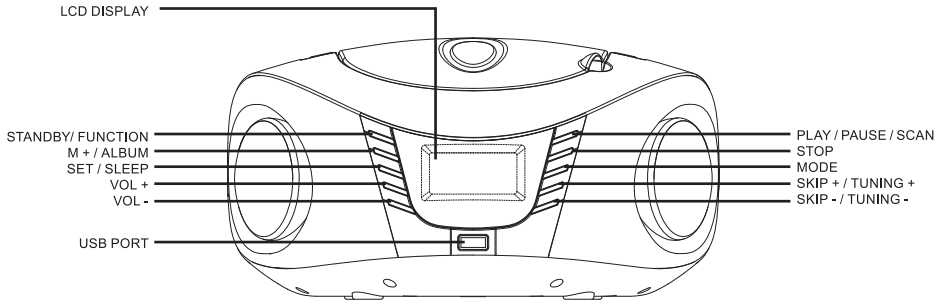
BATTERY POWER

Insert 6 × "C" size batteries into the battery compartment. Be sure that the batteries are inserted correctly to avoid damage to the appliance. Always remove the batteries when appliance will not be used for a long period of time, as this will cause leakage to the batteries and subsequently damage to your set.

Notes:

- Use batteries of the same type. Never use different types of batteries together.
- To use the appliance with batteries, disconnect the AC power cord from it.

LOCATION OF CONTROL



BASIC FUNCTION

GENERAL OPERATION

- At standby mode, press the “⏻ / FUNC” button to switch on the unit.
- Press the “⏻ / FUNC” button once to switch other mode.
(Only have Radio mode and CD/ USB/ BLUETOOTH/ FM)
- Press and hold the “⏻ / FUNC” button for 3 seconds to switch off the unit.
(No matter in which mode.)

RADIO OPERATION

GENERAL OPERATION

1. Press the “⏻ / FUNC” button to select “RADIO FM” mode.
2. Press “Play / Pause / Scan” button to start automatic tuning process.
3. When a station is tuned in the tuning process, it will automatically Pre-set to station list
4. Use “Tuning + / Tuning -” button to momentarily (0.5 second or less)), the frequency changes by a fixed step: FM:0.5MHz to tune a channel manually.
5. Press “M+ / Album” button to select preset station.

MEMORY PRESET

1. Use “Tuning + / Tuning -” button to determine the preset station number.
2. Press the “MODE” button to start the preset process.
3. Display will show “P01” and flashing.
4. Press again the “MODE” button to preset your desired station.
5. Once all the stations were preset, press the “M + / Album” button to listen to your desired station.

FOR BETTER RECEPTION

FM - for optimum reception of FM transmitters, adjust the length, angle and direction of the FM antenna.

BLUETOOTH OPERATION

GENERAL OPERATION

1. Press the “⏻ / FUNC” button to select “BLUETOOTH” mode.
2. The “BT” indicator will flash, which indicated that searching for Bluetooth device.

PARING BLUETOOTH DEVICE AND PLAYBACK

Please paring the Bluetooth device and the unit before start play music.

-
1. Turn on the Bluetooth function on your device and search for “SPT 3600”.
 2. Select “SPT 3600” to start paring until a sound could be heard.
 3. The “BT” indicator will stop flashing once connected.
 4. Start playback or select the desire music and volume by controlling the Bluetooth device.
Select desired volume level by press volume knob “+” or “-”.
 5. Select desired volume level by pressing volume knob “VOL +” or “VOL -”.

CD / MP3 OPERATION

GENERAL OPERATION

- PLAY / PAUSE ►||** Press to start playing CD / MP3 disc.
Press again to stop playing CD / MP3 operation temporarily.
Press again to resume playback.
- SKIP + & SKIP -** Turn to go to the next track or back to the previous track.
- STOP ■** Press to stop all CD / MP3 operation.

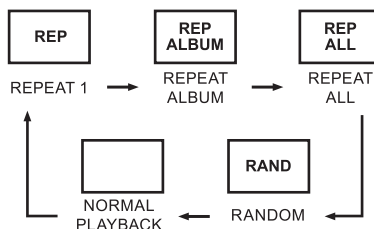
PLAYBACK

1. Press the “**⏻ / FUNC**” button to select “CD” mode.
2. Open the CD door and place a CD / MP3 disc with the label up in the CD compartment.
3. Close the CD door.
4. Focus search is performed if disc is inside.
For CD disc - Total number of tracks is read and appears on the display.
For MP3 disc - “MP3” appears on the display.
5. Playback will start automatically from the first track.
6. Press the “VOL +” or “VOL -” button to adjust the volume to desired level.
7. Press the “PLAY / PAUSE” button again when you want to stop playback temporarily.
8. Press the “STOP” button when finished.

MODE

Press the “MODE” button during playing CD / MP3 disc, each press switches the mode function as following :

- 1 - REPEAT 1
- 2 - REPEAT ALBUM (*MP3 ONLY)
- 3 - REPEAT ALL
- 4 - RANDOM
- 5 - NORMAL PLAYBACK



FOLDER SELECT (MP3 / USB)

Press the “M + / ALBUM” button to select folder. (Folder select function can only operate if disc store with at least 2 directories / files.)

PROGRAM (CD / MP3 / USB)

Up to 20 tracks of CD disc, 99 tracks of MP3 disc can be programmed for disc play in any order. Be sure to press the “STOP” button before use.

1. Press the “MODE” button, the display will show “P01”.
2. Select desired track by using the “SKIP +” or “SKIP -” button. (You may select a desired album by pressing the “ALBUM” button).
3. Press the “MODE” button again to confirm desired track into the program memory.
4. Repeat step 2 and 3 to enter additional tracks into the program memory.
5. When all the desired tracks have been programmed, press the “PLAY / PAUSE” button to play the disc in the order you have programmed.
6. Press the “STOP” button twice to terminate programmed playback.

USB OPERATION

GENERAL OPERATION

- PLAY / PAUSE ►|| Press to start playing CD / MP3 disc.
 Press again to stop playing CD / MP3 operation temporarily.
 Press again to resume playback.
- SKIP + & SKIP - Turn to go to the next track or back to the previous track.
STOP ■ Press to stop all CD / MP3 operation.
-

PLAYBACK

1. Plug in USB device to the port.
2. Press the "⏻ / FUNC" button to select "USB" mode.
3. Focus search is performed and total number of tracks is read and appears on the display.
4. Playback will start automatically from the first track.
5. Press the "VOL +" or "VOL -" button to adjust the volume to desired level.
6. Press the "PLAY / PAUSE" button again when you want to stop playback temporarily.
7. Press the "STOP" button when finished.

OTHER FEATURES

AUX-IN

- Connect 3.5 mm cable to this unit and your device with 3.5 mm output jack.
Switch on the unit. Aux-in available to operate in any mode.
Press play on your device and enjoy.
Aux-In Mode play automatically
Press "VOL + / VOL -" Button to adjust volume
Dis-connect Aux cable to exit from Aux-In mode

Remark: 3.5 mm Aux-in cable not include

AUTO-OFF

This product is equipped with an auto power-save function in the CD/USB mode, if the unit remains in STOP, PAUSE or NO DISC mode for more than 10 minutes it will automatically switch off. Please press the "PLAY" button to re-activate the unit.

Sleep Setting

1. Long Press "Power / Function" button to standby mode.
2. Press and hold the "Set / Sleep" Button around 2 seconds.
3. "90" on display.
4. Press "Set / Sleep" Button to adjust sleep time.

INSTRUCTIONS AND INFORMATION REGARDING THE DISPOSAL OF USED PACKAGING MATERIALS

Dispose of packaging material at a public waste disposal site.



DISPOSAL OF USED ELECTRICAL AND ELECTRONIC APPLIANCES

The meaning of the symbol on the product, its accessory or packaging indicates that this product shall not be treated as household waste. Please, dispose of this product at your applicable collection point for the recycling of electrical & electronic equipment waste. Alternatively in some states of the European Union or other European states you may return your products to your local retailer when buying an equivalent new product. The correct disposal of this product will help save valuable natural resources and help in preventing the potential negative impact on the environment and human health, which could be caused as a result of improper liquidation of waste. Please ask your local authorities or the nearest waste collection centre for further details. The improper disposal of this type of waste may fall subject to national regulations for fines.

For business entities in the European Union

If you wish to dispose of an electrical or electronic device, request the necessary information from your seller or supplier.

Disposal in other countries outside the European Union

If you wish to dispose of this product, request the necessary information about the correct disposal method from local government departments or from your seller.



The product meets EU requirements.

Hereby, FAST ČR, a.s. declares that the radio equipment type SPT 3600 is in compliance with Directive 2014/53/EU. The full text of the EU declaration of conformity is available at the following internet address: www.sencor.com

Changes to the text, design and technical specifications may occur without prior notice and we reserve the right to make these changes.

The original version is in the Czech language.

Address of the manufacturer:

FAST ČR, a.s., Černokostelecká 1621, Říčany CZ-251 01

SENCOR®

EN Warranty conditions

Warranty card is not a part of the device packaging.

This product is warranted for the period of 24 months from the date of purchase to the end-user. Warranty is limited to the following conditions. Warranty is referred only to the customer goods using for common domestic use. The claim for service can be applied either at dealer's shop where the product was bought, or at below mentioned authorized service shops. The end-user is obligated to set up a claim immediately when the defects appeared but only till the end of warranty period. The end user is obligated to cooperate to certify the claiming defects. Only completed and clean (according to hygienic standards) product will be accepted. In case of eligible warranty claim the warranty period will be prolonged by the period from the date of claim application till the date of taking over the product by end-user, or the date the end-user is obligated to take it over. To obtain the service under this warranty, end-user is obligated to certify his claim with duly completed following documents: receipt, certificate of warranty, certificate of installation.

This warranty is void especially if apply as follows:

- Defects which were put on sale.
- Wear-out or damage caused by common use.
- The product was damaged by unprofessional or wrong installation, used in contrary to the applicable instruction manual, used in contrary to legal enactment and common process of use or used for another purpose which has been designed for.
- The product was damaged by uncared-for or insufficient maintenance.
- The product was damaged by dirt, accident of force majeure (natural disaster, fire, and flood).
- Defects on functionality caused by low duality of signal, electromagnetic field interference etc.
- The product was mechanically damaged (e.g. broken button, fall).
- Damage caused by use of unsuitable media, fillings, expendable supplies (batteries) or by unsuitable working conditions (e.g. high temperatures, high humidity, quakes).
- Repair, modification or other failure action to the product by unauthorized person.
- End-user did not prove enough his right to claim (time and place of purchase).
- Data on presented documents differs from data on products.
- Cases when the claiming product cannot be indentified according to the presented documents (e.g. the serial number or the warranty seal has been damaged).

Authorized service centers

Visit www.sencor.com for detailed information about authorized service centers.