

Microwave Oven

User Manual



MGB23313B

EN | PL | CS | SK | ET
LV | LT | UA | RO

01M-8840823200-5018-01

beko




Please read this manual first!

Dear Customer,

Thank you for purchasing a Beko product. We hope that you get the best results from your product which has been manufactured with high quality and state-of-the-art technology. Therefore, please read this entire user manual and all other accompanying documents carefully before using the product and keep it as a reference for future use. If you handover the product to someone else, give the user manual as well. Follow all warnings and information in the user manual.

Meanings of the symbols

Following symbols are used in the various section of this user manual:

	Important information and useful hints about usage.
	WARNING: Warnings against dangerous situations concerning the security of life and property.
	Warning for hot surfaces.



This product has been manufactured in environmental friendly modern plants without giving any harm to the nature.

CONTENTS

ENGLISH	04-23
POLSKI	24-46
ČESKY	47-68
SLOVENSKÝ	69-87
EESTI KEEL	88-110
LATVIEŠU	111-128
LIETUVIŲ K	129-148
УКРАЇНСЬКИЙ	149-169
ROMÂNĂ	170-190

1 Important safety and environmental instructions

Important Safety Instructions Read Carefully And Keep For Future Reference

This section contains safety instructions that will help protect from risk of fire, electric shock, exposure to leak microwave energy, personal injury or property damage. Failure to follow these instructions shall void any warranty.

1.1 General safety

- The microwave oven is intended for heating food and beverages. Drying of food or clothing and heating of warming pads, slippers, sponges, damp cloth and similar may lead to risk of injury, ignition or fire.

This appliance is intended to be used in household and similar applications such as:

- Staff kitchen areas in shops, offices and other working environments;
- Farm houses
- By clients in hotels, motels and other residential type environments;

- Bed and Breakfast type environments.
- Do not attempt to start the oven when its door is open; otherwise you may be exposed to harmful microwave energy. Safety locks should not be disabled or tampered with.
- Do not place any object between the front side and the door of the oven. Do not allow dirt or cleaning agent remnants built-up on the closure surfaces.
- Any service works involving removal of the cover that provides protection against exposure to microwave energy must be performed by authorized persons/service. Any other approach is dangerous.
- Your product is intended for cooking, heating and defrost food at home. It must not be used for commercial purposes. Manufacturer shall not be held liable for damages that have arisen from misuse.
- Do not use this appliance outdoors, bathrooms, humid environments or in places where the it can get wet.

1 Important safety and environmental instructions

- No responsibility or warranty claim shall be assumed for damages arising from misuse or improper handling of the appliance.
 - Never attempt to dismantle the appliance. No warranty claims are accepted for damage caused by improper handling.
 - Only use the original parts or parts recommended by the manufacturer.
 - Do not leave this appliance unattended while it is in use.
 - Always use the appliance on a stable, flat, clean dry, and non-slip surface.
 - The appliance should not be operated with an external clock timer or separate remote control system.
 - Before using the appliance for the first time, clean all parts. Please see the details given in the "Cleaning and Maintenance" section.
 - Operate the appliance for its intended purpose only as described in this manual. Do not use abrasive chemicals or steam on this appliance. This oven is particularly intended for heating and cooking the food.
- It is not intended for industrial or laboratory use.
- Do not use your appliance to dry clothes or kitchen towels.
 - Appliance becomes very hot while it is in use. Pay attention not to touch the hot parts inside the oven.
 - Your oven is not designed to dry any living being.
 - Do not operate the oven empty.
 - Only use utensils that are suitable for use in microwave ovens.
 - Cooking utensil may get hot due to the heat transferred from the heated food to the utensil. You may need oven gloves to hold the utensil.
 - Utensils shall be checked to ensure that they are suitable for use in microwave ovens.
 - Do not place the oven on stoves or other heat generating appliances. Otherwise, it may be damaged and the warranty becomes void.
 - Microwave oven must not be placed in a cabinet that is not in compliance with the installation instructions.

1 Important safety and environmental instructions

- Steam may come out while opening the covers or the foil after cooking the food.
- Use gloves while taking any kind of heated food out.
- The appliance and its accessible surfaces may be very hot when the appliance is in use.
- Door and outer glass may be very hot when the appliance is in use.

1.1.1 Electrical safety

- If the supply cord is damaged, it must be replaced by the manufacturer or its service agent or a similarly qualified person in order to avoid a hazard.
- Beko Microwave Ovens comply with the applicable safety standards; therefore, in case of any damage on the appliance or power cable, it should be repaired or replaced by the dealer, service center or a specialist and authorized service alike to avoid any danger. Faulty or unqualified repair work may be dangerous and cause risk to the user.
- Make sure that your mains power supply complies with the information supplied on the rating plate of the appliance.

The only way to disconnect the appliance from the power supply is to remove the power plug from the power outlet.

- Use the appliance with a grounded outlet only.
- Never use the appliance if the power cable or the appliance itself is damaged.
- Do not use this appliance with an extension cord.
- Never touch the appliance or its plug with damp or wet hands.
- Place the appliance in a way so that the plug is always accessible.
- Prevent damage to the power cable by not squeezing, bending, or rubbing it on sharp edges. Keep the power cable away from hot surfaces and naked flame.
- Make sure that there is no danger that the power cable could be accidentally pulled or that someone could trip over it when the appliance is in use.
- Unplug the appliance before each cleaning and when the appliance is not in use.
- Do not pull the power cable of the appliance to disconnect it from its power supply and never wrap its power cable around the appliance.

1 Important safety and environmental instructions

- Do not immerse the appliance, power cable, or power plug in water or any other liquids. Do not hold it under running water.
- When heating food in plastic or paper containers, keep an eye on the oven due to the possibility of ignition.
- Remove the wire strings and/or metal handles of paper or plastic bags before placing bags suitable for use in microwave oven to the oven.
- If smoke is observed, switch off or unplug the appliance and keep the door closed in order to stifle any flames.
- Do not use inside of the oven to store something. Do not leave paper items, cooking material or food inside the oven when it is not being used.
- The contents of feeding bottles and baby food jars shall be stirred or shaken and the temperature shall be checked before consumption, in order to avoid burns.
- This appliance is a Group 2 Class B ISM equipment. Group 2 contains all ISM (Industrial, Scientific and Medical) equipment in which radio-frequency energy is intentionally generated and/or used in the form of electromagnetic radiation for the treatment of material, and spark erosion equipment.
- Class B equipment is suitable for use in domestic establishments and establishments directly connected to a low voltage power supply network.
- Door or outer surface of the appliance may become hot when it is in use.

1.1.2 Product safety

- Heating the beverages with microwave may cause them to boil by splashing around after they have been taken out of the oven; so be careful when you are holding the containers.
- Do not roast anything in the oven. Hot oil may damage the components and materials of the oven, and it may even cause skin burns.
- Pierce food with thick crust such as potatoes, zucchinis, apples and chestnuts.

1 Important safety and environmental instructions

- Appliance must be placed so that the rear side is facing the wall.
- Before moving the appliance, please secure the turntable to prevent damage to it.
- Eggs in their shell and whole hard-boiled eggs must not be heated in microwave ovens since they may explode, even after microwave heating has ended.
- Never remove the parts at the rear and sides of the appliance, which protect the minimum distances between the cabinet walls and the appliance in order to allow for the required air circulation.
- **WARNING!** If the door or door seals are damaged, the oven must not be operated until it has been repaired by a competent person.
- **WARNING!** It is hazardous for anyone other than a competent person to carry out any service or repair operation which involves the removal of a cover which gives protection against exposure to microwave energy.
- **WARNING!** Liquids and other foods must not be heated in sealed containers since they are liable to explode.

1.2 Intended use

- The oven should be cleaned regularly and any food deposits removed.
- Failure to maintain the oven in a clean condition could lead to deterioration of the surface that could adversely affect the life of the appliance and possibly result in a hazardous situation.
- Cleaning the door seals and adjacent parts: Use hot soapy water. Clean with a dish cloth, do not scour. Do not use a metal or glass scraper for cleaning.
- Microwave oven is intended for built-in use only.
- Do not use the appliance for anything other than its intended use.
- Do not use the appliance as a heat source.
- Microwave oven is intended to thaw, cook and stew food only.
- Do not over-cook foods; otherwise, you may cause a fire.
- Do not use steam assisted cleaners to clean the appliance.

1 Important safety and environmental instructions

1.3 Children's safety

- Extreme caution is advised when being used near children and persons who are restricted in their physical, sensory or mental abilities.
- This appliance can be used by the children who are at the age of 8 or over and by the people who have limited physical, sensory or mental capacity or who do not have knowledge and experience, as long as they are supervised with regard to safe use of the product or they are instructed accordingly or understand the risks of using the product. Children should not play with the appliance. Cleaning and user maintenance procedures should not be performed by children unless they are controlled by their elders.
- Danger of choking! Keep all the packaging materials away from children.
- Only allow children to use the oven without supervision when adequate instructions have been given so that the child is able to use the microwave oven in a safe way and understands the hazards of improper use.
- Due to excessive heat that arises in grill and combination modes, children should only be allowed to use these modes under supervision of an adult.
- Keep the product and its power cable so that they are inaccessible by children under 8 years old.
- The appliance and its accessible surfaces may be very hot when the appliance is in use. Keep children away.
- The appliance is not intended for use by persons (including children) with reduced physical, sensory or mental capabilities, or lack of experience and knowledge, unless they have been given supervised or instruction concerning use of the appliance by a responsible person for their safety.
- Young children should be supervised to ensure that they do not play with the appliance.
- **WARNING!** Only allow children to use the oven without supervision when adequate instructions have been given so that the child is able to use the oven in a safe way and understands the hazards of improper use.

1 Important safety and environmental instructions

1.4 Compliance with the WEEE Directive and disposal of waste products



This product does not include harmful and prohibited materials specified in the "Regulation for Supervision of the Waste Electric and Electronic Appliances" issued by the Ministry of Environment and Urban Planning. Complies with the WEEE Directive. This product has been manufactured with high quality parts and materials which can be reused and are suitable for recycling. Therefore, do not dispose the product with normal domestic waste at the end of its service life. Take it to a collection point for the recycling of electrical and electronic equipment. Ask the local authority in your area for these collection points. Help protect the environment and natural resources by recycling used products.

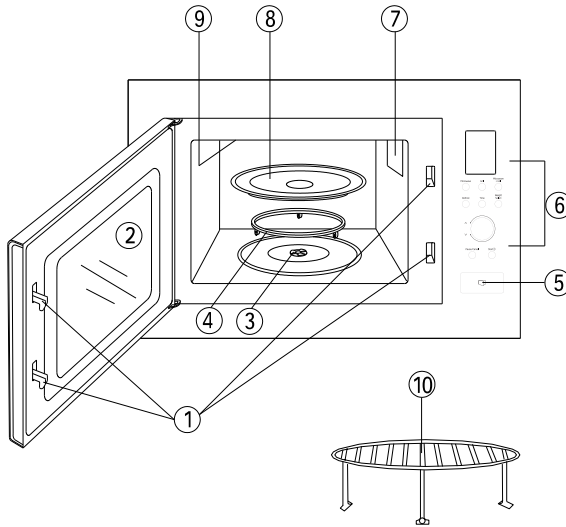
1.5 Package information



Package of the product is made of recyclable materials in accordance with our National Legislation. Do not dispose of the packaging materials together with the domestic or other wastes. Take them to the packaging material collection points designated by the local authorities.

2 Your microwave oven

2.1 Overview



1. Door Safety Interlock System
2. Oven Window
3. Turntable shaft
4. Turntable support
5. Door opening key
6. Control Panel
7. Wave Guide (please do not remove the mica plate that covers the wave guide)
8. Glass Tray
9. Grill heater
10. Grill

2.2. Technical data

Power Consumption	230-240 V~50 Hz, 1400 W (Microwave) 1000 W (Grill)
Output	900 W
Operating frequency	2450 MHz
External dimensions	390 mm (H) X 595 mm (W) X 365 mm (D)
Internal dimensions of the oven	220 mm (H) X 340 mm (W) X 320 mm (D)
Oven Capacity	23 Litres
Net Weight	14.1 kg

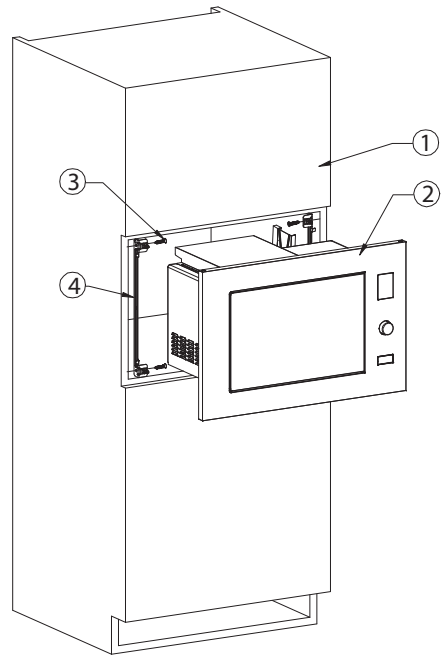
Markings on the appliance or the values stated in other documents supplied with the product are values obtained under laboratory conditions as per relevant standards. These values may vary according to the usage of the appliance and ambient conditions. Power values are tested at 240 V.

3 Installation

3.1. Installation

- Installation should be performed by authorised service personnel.
- Make sure that all packing materials inside the door are removed.
- This appliance should be placed on a level surface that could bear the weight of the oven and the heaviest food that may be cooked inside the oven.
- Do not put the appliance in places with moisture or high humidity or near inflammable materials.
- Do not operate the oven without placing the turntable support to the correct position.
- Make sure that power cable is not damaged and not passed under the appliance or over any hot or sharp surfaces.
- Power outlet should be on an easily accessible position, so you can unplug the appliance easily in case of an emergency.
- Do not use the appliance outdoors.

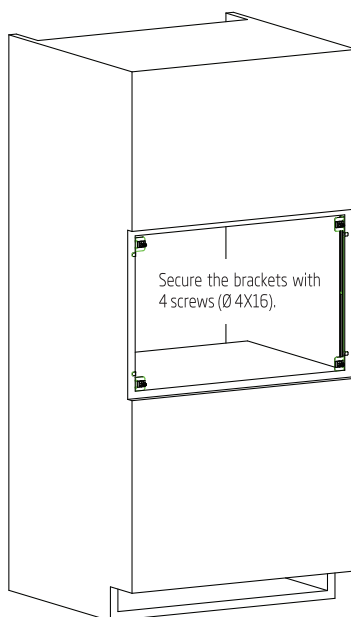
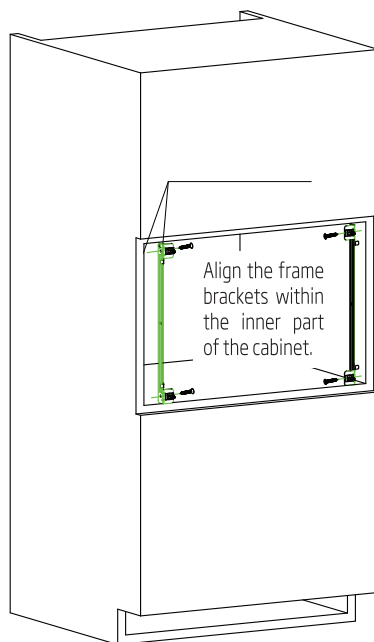
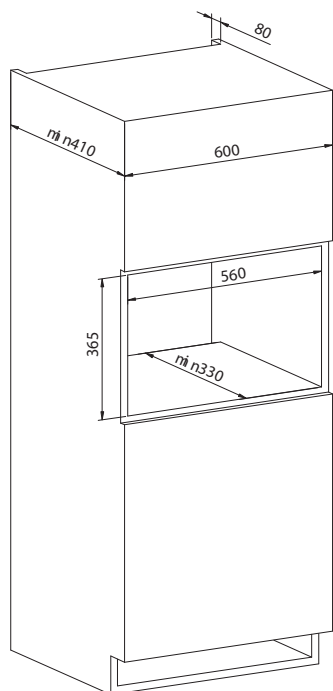
3.1.1 Installation kit



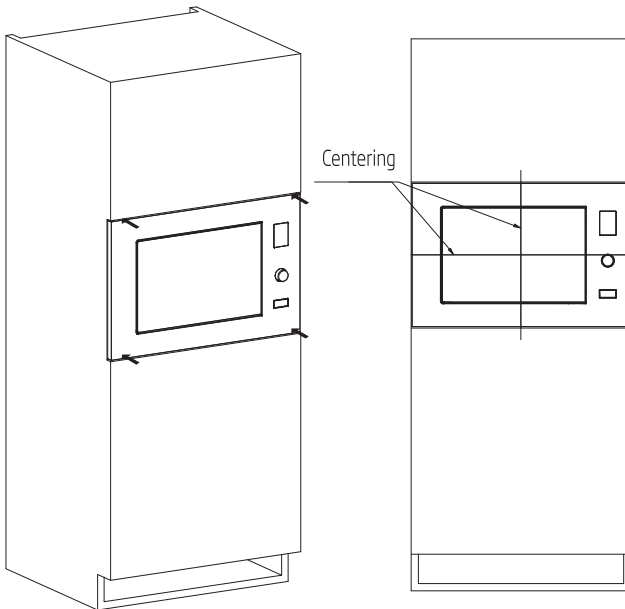
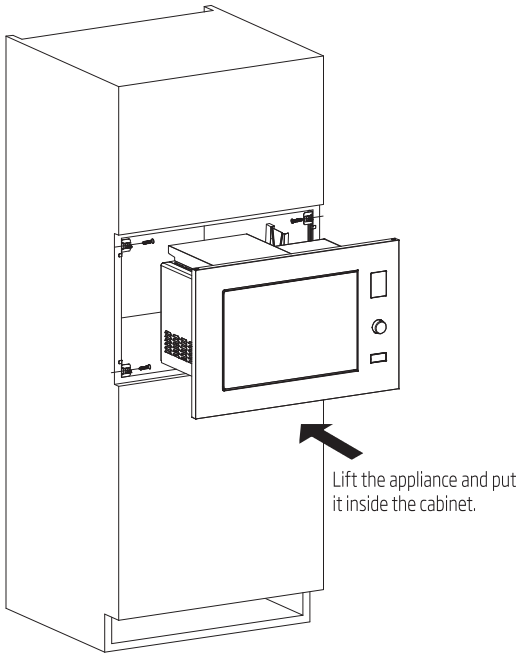
1. Cabinet
2. Microwave oven
3. \varnothing 4x16 Screws (4 pcs.)
4. Cabinet connection bracket

3 Installation

3.1.2 Microwave Oven Cabinet



3 Installation



After locating the appliance inside the cabinet, press the 4 corners of the frame to have the tabs on the brackets seated on the frame.

3 Installation

3.2 Radio interference

Operation of the microwave oven may cause interference on radios, TVs and similar appliances.

In case of any interference, it may be reduced or eliminated by taking the precautions given below:

- Clean the door and sealing surface of the appliance.
- Set the antenna direction of the radio or TV again.
- Reposition the appliance based on the location of the receiver.
- Place the appliance away from the receiver.
- Plug the appliance in another outlet; thus, the microwave oven and the receiver will be on different lines.

3.3 Microwave cooking principles

- Prepare the food carefully. Place the thick parts towards the outside of the dish.
- Pay attention to the cooking duration. Cook the meal with the shortest time specified and add some more time if required. Overcooked food may cause smoke or catch fire.
- Cover the food while cooking. Covering the food prevents any splashing and helps ensure that the food is cooked evenly.
- Turn over food such as poultry and hamburgers once while cooking them in a microwave oven in order to accelerate the cooking processes of these kinds of food. Larger food such as roast must be turned over at least once.
- Turn food such as meatballs upside down in the middle of the cooking process and change their places from the centre of the dish towards the outside.

3.4 Grounding instructions

This appliance should certainly be grounded. This appliance has a grounding cable with a grounded plug. The appliance must be plugged into a wall outlet installed and grounded correctly.

Grounding system allows a leak wire for the electrical current in case of a short circuit and reduces the risk of electric shock. It is recommended to use an electrical circuit dedicated to this appliance. Operating with high voltage is dangerous and may cause fire or other accidents that would cause damage to the appliance.



WARNING: Misuse of grounding plug may cause electric shock.



If you have any questions regarding the grounding and electrical instructions, please consult a qualified electric technician or service personnel.



Manufacturer and/or dealer would not accept any responsibility for injuries or damages on the oven that may occur when electrical connection procedures are not followed.

Cores inside the power cable are colour-coded as follows:

Green and Yellow = GROUND

Blue = NEUTRAL

Brown = LIVE

3.5 Oven wares

- Ideal material for the microwave oven wares are materials that conduct microwave, these materials allows energy to get through the oven ware and allows the food to be heated.
- Microwave cannot penetrate through metals; therefore, metal or metal ornamented oven wares must not be used.

3 Installation

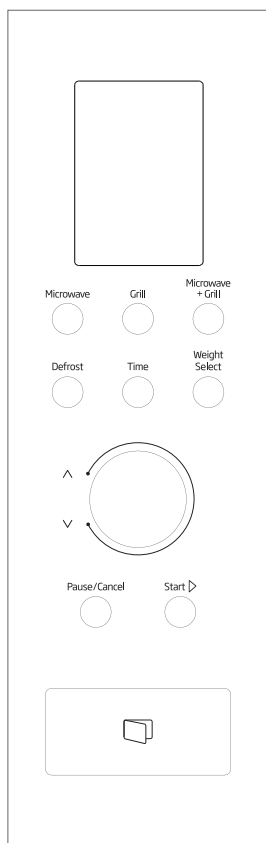
- Do not use recycled paper products for microwave cooking as they may include small metallic parts that may cause sparks and/or fire.
- It is recommended to use round/oval dishes instead of square/rectangular dishes as the food on the edges may be overheated.
- You may use narrow aluminium foil straps in order to prevent the exposed pieces from being overcooked. However, please be careful! Do not use it excessively and keep a distance of 2.5 cm (1 inch) between the foil and inner surface of the appliance.

Following list is a general guide that would help you select the right ware.

Cookware	Microwave	Grill	Combination
Heat-resistant glass	Yes	Yes	Yes
Non-heat-resistant glass	No	No	No
Heat-resistant ceramics	Yes	Yes	Yes
Plastic dish suitable for microwave oven	Yes	No	No
Paper kitchenware	Yes	No	No
Metal tray	No	Yes	No
Metal rack	No	Yes	No
Aluminium foil and foil wares	No	Yes	No

4 Operation

4.1 Control panel



Menu operation display

Microwave

Press this key a few times to set the level of microwave cooking.

Grill

Press this key to select the grilling programme.

Microwave + Grill

Press this key to select one of the combi cooking programmes.

Defrosting

Press this key to defrost the food as per its weight.

Date / Time

Press this key to set the time.

Weight selection

Press this key to select the weight for programmes requiring weight selection.

Adjustment knob

Rotate this knob in order to set the time, cooking time, menu or weight.

Automatic cooking function is selected by turning the adjustment knob anti-clockwise.

Stop/cancel

Press this key to cancel a setting or to reset the oven before setting a cooking program.

Press the key once to stop cooking temporarily or twice to cancel it completely.

It is also used to set the child lock.

Start key

Press the key to start a cooking programme.

If this key is pressed a couple of times, the oven will operate with full power.

30 seconds for each press.

4.2 Setting the oven controls

Appliance gives an audible signal during the adjustments.

ONE BEEP: Oven accepts the input.

TWO BEEPS: Oven rejects the input. Check and try again.

4.2.1 Setting the digital clock

If you want to set the appliance time to 08:30:

- In stand-by mode, press the TIME/CLOCK key for 3 seconds. "Hr 12" will appear on the display. To use the 24-hour clock, press the TIME/CLOCK key again.
- Turn the ADJUSTMENT knob and set the hour section to 8.
- Press the "DURATION/TIME" key once.
- Turn the ADJUSTMENT knob and set the minute section to 8:30.
- Press the DURATION/TIME key once to approve the setting.

4 Operation



You can check the time setting while cooking by pressing the DURATION/TIME key once.

4.2.2 Microwave cooking

The longest cooking duration for microwave is 95 minutes. You can set the power level by pressing the MICROWAVE key repeatedly.

- For example, if you want to cook for 5 minutes with 60% microwave power:
- Press the STOP/CANCEL key.
- Press the POWER LEVEL key repeatedly to select the power level.

Display	Cooking Power
P100	100%
P80	80%
P60	60%
P40	40%
P20	20%
P00	00%

- Turn the ADJUSTMENT knob until 5:00 is displayed on the screen.
- Press the START key.



You can check the cooking power while cooking by pressing the MICROWAVE key.



Oven gives a signal sound when cooking/defrosting time is completed and "End" message is displayed on the display; clear the display by pressing the STOP/CANCEL key or opening the door before setting another function. (It can be used for the following cooking functions.)

4.2.3 Quick start

This feature is used for operating the oven quickly. The longest cooking duration is 10 minutes.

To set the cooking duration while in the standby mode, press the START key repeatedly in a quick manner; the appliance will immediately start operating with full power.

4.2.4 Defrosting by weight

The appliance can defrost food depending on the weight you enter. After the weight has been set, duration and defrosting power are automatically set. Food weight varies between 100 g and 1,800 g.

If you want to defrost 600 g of shrimp:

- Place the shrimps to be defrosted into the appliance and close the door.
- Press the STOP/CANCEL key.
- Press the DEFROST key once.
- Press the WEIGHT SELECTION key repeatedly until 600 gr is displayed.
- Press the START key.



During the defrosting process, the system pauses and gives an audible signal to remind you to turn over the food; press the START key in order to continue.

4.2.5 Queued cooking (Multipurpose cooking)

You can programme 3 automatic cooking queues on your appliance.

Let's assume that you want to set the following cooking programme:

1 min. cooking at 60% power level, and 2 min. cooking at 100% power level.

- Press the STOP/CANCEL key.
- Press the MICROWAVE key repeatedly until P60 code is displayed on the screen.
- Turn the ADJUSTMENT knob until 1 min. is displayed on the screen.

4 Operation

- Press the MICROWAVE key repeatedly until P100 code is displayed on the screen.
- Turn the ADJUSTMENT knob until 2 min. is displayed on the screen.
- Press the START key.



Quick Start, Menu and Defrosting by Weight cannot be set in multi-step cooking mode.

Relevant lights are illuminated in order to indicate the operating stage of the oven.

4.2.6 Automatic cooking

For foods and following cooking mode, setting the duration or cooking power is not necessary. You may just enter the type of the food and the weight of that food. You may have to turn over the food in the middle of cooking period in order to achieve an even cooking.

Example: Cooking 400 g. of fish

- Press the STOP/CANCEL key.
- Rotate the ADJUSTMENT knob anti-clockwise to select the food code. Selected symbol on the screen will be illuminated.
- Press the WEIGHT SELECTION key repeatedly to enter 400 gr for weight.
- Press the START key.

Automatic Cooking Menu

Code	Food/cooking mode	
A-1	Popcorn	For milk/coffee and potatoes, number of the servings should be entered; not the food weight. There is only one option for popcorn. The result of automatic cooking depends on factors such as voltage fluctuation, shape and size of the food, your personal choice on the cooking level of specific food, and even how well you have placed the food in the appliance. If you have not found the result satisfactory, please set the cooking time more appropriately for your choice.
A-2	Milk/Coffee (200 ml/cup)	
A-3	Vegetable	
A-4	Potatoes (230 g/ piece)	
A-5	Pizza	
A-6	Automatic Re-Heating (g)	
A-7	Grilled Chicken	
A-8	Grilled Steak	



For Grilled Chicken and Grilled Steak options, the programme will give a signal and then pause to remind you that the food needs to be turned. Once you have turned the food, you can press the START key to let the programme continue.

4.2.7 Grill

The longest cooking duration is 95 minutes for grill cooking.

- For example, let's assume that you want to cook for 5 minutes in grill mode.
- Press the STOP/CANCEL key.

4 Operation

- Select the grill mode by pressing the Grill key once.
- Turn the ADJUSTMENT knob until 5:00 is displayed on the screen.
- Press the START key.



You should pause the programme and turn the food over in order that both sides of the food are cooked evenly in the Grill/Combination cooking modes.

4.2.8 Combination

The longest cooking duration is 95 minutes for combination cooking.

- For example, let's assume that you want to cook for 12 minutes in Combination mode.
- Press the STOP/CANCEL key.
- Select one of the combination modes in the table below by pressing the Microwave+Grill key twice or three times.
- Turn the ADJUSTMENT knob until 12:00 is displayed on the screen.
- Press the START key.

Number of pressings for the Microwave+Grill key	Combination	Cooking duration	
		Microwave	Grill
2X	Co-1	30%	70%
3X	Co-2	55%	45%

4.2.9 Child lock

Use this feature to prevent unattended children from operating the appliance. Child lock symbol is displayed and the appliance cannot be operated while the Child Lock is set.

To set: When the oven is in the standby or pre-setting mode, press and hold the STOP/CANCEL key for 3 seconds; a beep is heard and the lock symbol is illuminated. All keys are deactivated in the lock mode.

To cancel: Press and hold the STOP/CANCEL key for 3 seconds until the lock symbol on the display goes off.

5 Cleaning and maintenance

5.1 Cleaning



WARNING! Never use gasoline, solvent, abrasive cleaning agents, metal objects or hard brushes to clean the appliance.



WARNING! Never immerse the appliance or its power cable in water or in any other liquid.

1. Switch off and unplug the appliance.
2. Wait for the appliance to cool completely.
3. Keep the inside of the oven clean. Wipe with a damp cloth when splashed food or spilled liquids stick on the walls of the appliance. A mild detergent may be used if the appliance gets very dirty. Avoid using sprays and other harsh cleaning agents as they may cause stains, marks, and opaqueness on the door surface.
4. Outer surfaces of the appliance must be cleaned with a damp cloth. Do not allow water ingress from ventilation openings to prevent damage to the operating parts in the appliance.
5. Wipe both sides of the door and the glass, door gaskets and parts near the gaskets frequently with a damp cloth in order to remove the overflowing and splashing stains. Do not use abrasive cleaning agents.
6. Do not allow control panel to get wet. Clean with a soft damp cloth. Leave the door of the appliance open to prevent inadvertent operation while cleaning the control panel.
7. If mist accumulates inside or around the appliance door, wipe with a soft cloth. This may occur when the microwave oven is operated under high humidity conditions. This is normal.
8. In some cases, you may need to remove the glass tray for cleaning. Wash the tray in warm soapy water or in a dishwasher.
9. The roller ring and appliance floor should be cleaned regularly to avoid excessive noise. It would be sufficient to wipe the lower surface of the appliance with a mild detergent. Roller ring may be washed in warm soapy water or in a dishwasher. When you remove the roller ring from the appliance internal floor for cleaning, ensure that you install it in the correct position while replacing it.
10. In order to remove the bad odours in your appliance, put a glass of water and juice and rind of a lemon into a deep bowl suitable for use in microwave and operate the appliance for 5 minutes in the microwave mode. Wipe thoroughly and dry with a soft cloth.
11. Please contact the authorized service when the appliance lamp needs to be replaced.
12. The appliance should be cleaned regularly and any food deposits should be removed. If the appliance is not kept clean, this may cause surface defects that would affect the life-cycle of the appliance negatively and that would possibly cause risks.
13. Please do not dispose this appliance with household waste; old ovens shall be disposed to special waste centres provided by the municipalities.
14. When the appliance is used in grill function, a small amount of smoke and odour may occur which will disappear after a certain time of usage.

5.2 Storage

- If you do not intend to use the appliance for a long time, please store it carefully.
- Please make sure that the appliance is unplugged, cooled and totally dry.
- Store the appliance in a cool and dry place.
- Keep the appliance out of the reach of children.

5 Cleaning and maintenance

5.3 Handling and transportation

- During handling and transportation, carry the appliance in its original packaging.
- The packaging of the appliance protects it against physical damages.
- Do not place heavy loads on the appliance or on the packaging. The appliance may get damaged.

Product Guarantee

12 months breakdown and repair guarantee

Guarantor: **Beko plc, 1 Greenhill Crescent, Watford, Hertfordshire. WD18 8UF**

The guarantee does not in any way diminish your statutory or legal rights.

Your **microwave** has the benefit of our manufacturer's guarantee which covers the product for 12 months from the date of original purchase.

This gives you reassurance that if within that time, your **microwave** is proven to be defective because of either workmanship or materials, we will at our discretion either repair or replace your **microwave**.

The **microwave** must be correctly installed, located and operated in accordance with the instructions contained in the user manual. The guarantor disclaims any liability for accidental or consequential damage.

The Guarantee is subject to the following conditions:

- Documentary proof of the original purchase date is provided.
- The microwave has been installed and operated correctly and in accordance with our operating and maintenance instructions.
- The microwave is used only on the electricity supply on the rating plate.
- The microwave has only been used for normal domestic purposes.
- The microwave has not been altered, serviced, dismantled or otherwise interfered with by any person.
- The microwave is used in the United Kingdom or Republic of Ireland.
- Any parts removed during repair work or any product that has been replaced becomes our property.
- The guarantee is not transferrable if the product is resold.

The Guarantee does not cover:

- Transit, installation or delivery damage.
- Accidental damage.
- Misuse or abuse.
- Replacement of any consumable item or accessories. These include but are not limited to: plugs, cables, light bulbs, knobs, filters and flaps.
- Repairs or replacements required as a result of unauthorised repairs or inexpert installation that fails to meet the requirements contained in the user guide or instruction book.
- Repairs to products used in commercial or non-residential household premises.

How to obtain after sales service, help or general advice

Please keep your purchase receipt or other proof of purchase in a safe place as you will need to show us this document if your product requires attention within the guarantee period.

Please also record your product details below, which will allow you to access our services more quickly and help us identify your product. The model number is printed on the front of the user guide and the serial and model number is shown on your products rating plate.

Model number	Serial number	Purchased from	Date of purchase

Please call our UK based Customer Service department if you need help or advice from us:

United Kingdom and Northern Ireland: **0333 207 9710**

Republic of Ireland: **01 862 3411**

You can also contact us through our website: **www.beko.co.uk**




Proszę najpierw przeczytać tę instrukcję obsługi!

Drodzy Klienci,

Dziękujemy za wybór wyrobu marki Beko. Mam nadzieję, że wyrób ten, wyprodukowany przy użyciu wysokiej jakości najnowszej technologii, okaże się w najwyższym stopniu zadowalający. Dlatego proszę przed jego użyciem uważnie przeczytać całą tę instrukcję obsługi i towarzyszące jej dokumenty i zachować ją do wglądu na przyszłość. Przy przekazaniu tego wyrobu komuś innemu, proszę oddać mu także tę instrukcję. Proszę przestrzegać wszystkich ostrzeżeń i informacji z tej instrukcji obsługi.

Znaczenie symboli

W różnych rozdziałach niniejszej instrukcji stosuje się następujące symbole:

	Ważne informacje i przydatne wskazówki dotyczące użytkowania.
	Ostrzeżenia dotyczące sytuacji zagrażających bezpieczeństwu, życiu i mieniu.
	Ostrzeżenie przed gorącymi powierzchniami.



Urządzenie zostało wyprodukowane w nowoczesnych, bezpiecznych dla środowiska zakładach bez wpływu na przyrodę.

Urządzenie jest zgodne z dyrektywą WEEE.



Nie zawiera bifenyli polichlorowanych (PCB).

Rozdział ten zawiera instrukcje zachowania bezpieczeństwa, które pomogą chronić się przed ryzykiem pożaru, porażenia prądem elektrycznym, wycieku mikrofal, obrażeniami ciała lub uszkodzami w mieniu. Nieprzestrzeganie tych instrukcji unieważnia udzielone gwarancje.

1.1 Bezpieczeństwo: Zasady ogólne

- Nie próbuj uruchamiać kuchenki, kiedy jej drzwiczki są otwarte; w ten sposób możesz narazić się na działanie szkodliwego promieniowania mikrofalowego. Nie należy wyłączać blokad ani przy nich manipulować.
- Nie wkładaj żadnych przedmiotów między przód na drzwiczki kuchenki. Nie dopuść do gromadzenia się zabrudzeń lub pozostałości środków czystości na powierzchniach zamykających.
- Wszystkie prace serwisowe wymagające zdjęcia pokrywy chroniącej przed ekspozycją na promieniowanie mikrofalowe muszą być wykonywane przez autoryzowane osoby/serwis. Każdy inny sposób postępowania jest niebezpieczny.
- Produkt jest przeznaczony do gotowania, podgrzewania i rozmrażania żywności w warunkach domowych. Nie należy go używać do celów komercyjnych. Producent nie ponosi żadnej odpowiedzialności za szkody wynikłe z nieprawidłowego użytkowania.
- Nie używaj tego urządzenia na zewnątrz, w łazience, wilgotnym środowisku lub w miejscach, gdzie może ono ulec zamoczeniu.
- Producent nie ponosi odpowiedzialności ani nie udziela żadnej gwarancji w przypadku szkód poniesionych z powodu nieprawidłowego użytkowania urządzenia lub nieprawidłowego obchodzenia się z nim.
- Nigdy nie należy próbować rozkładać tego urządzenia na części. Gwarancja na urządzenie nie obejmuje uszkodzeń spowodowanych nieprawidłowym obchodzeniem się z nim.
- Należy stosować wyłącznie oryginalne lub zalecane przez producenta części zamienne.
- Nie wolno zostawiać tego urządzenia bez dozoru, gdy jest używane.

Ważne instrukcje dotyczące bezpieczeństwa i ochrony środowiska naturalnego

- Zawsze używaj tego urządzenie na stabilnej, płaskiej, czystej i nieśliskiej powierzchni.
- Urządzenia tego nie wolno używać razem z zewnętrznym zegarem lub osobnym systemem zdalnego sterowania.
- Przed pierwszym użyciem tego urządzenia oczyścić wszystkie jego części. Dokładne instrukcje podano w rozdziale „Czyszczenie i konserwacja”.
- To urządzenie należy używać tylko zgodnie z jego przeznaczeniem, w sposób opisany w niniejszej instrukcji. Nie używać ściernych środków czyszczących ani pary na tym urządzeniu. Ta kuchenka jest przeznaczona przede wszystkim do podgrzewania i gotowania żywności. Nie jest przeznaczona do użytku przemysłowego ani laboratoryjnego.
- Nie używaj urządzenia do suszenia ubrań ani ścierek kuchennych.
- Urządzenie bardzo się nagrzewa w trakcie używania. Uważaj, aby nie dotknąć gorących części wewnątrz kuchenki.
- Kuchenka nie jest przeznaczona do suszenia żadnej istoty żywej.
- Nie uruchamiaj kuchenki, kiedy jest pusta.
- Przybory kuchenne mogą się nagrzać ciepłem przeniesionym na nie z podgrzewanego jedzenia. Do trzymania przyborów może być konieczne użycie rękawiczek.
- Sprawdzaj, czy przybory nadają się do użytku w kuchenkach mikrofalowych.
- Nie umieszczaj kuchenki na piecach lub innych urządzeniach wytwarzających ciepło. W takim przypadku może ulec uszkodzeniu, a gwarancja utraci ważność.
- Kuchenki mikrofalowej nie można umieszczać w szafce niezgodnej z instrukcjami montażu.
- Para może się wydobywać podczas zdejmowania pokrywki lub folii po ugotowaniu potrawy.
- Podczas wyjmowania każdego rodzaju podgrzewanych potraw należy używać rękawic.
- Urządzenie i jego dostępne powierzchnie mogą być bardzo gorące w trakcie użytkowania.
- Drzwiczki i zewnętrzna powierzchnia szklana mogą być bardzo gorące w trakcie użytkowania.

1.1.1 Bezpieczeństwo: Elektryczność

- Kuchenka mikrofalowa firmy Beko spełnia wszystkie wymagania stosownych norm bezpieczeństwa. W przypadku jakiegokolwiek uszkodzenia urządzenia lub przewodu zasilającego, aby uniknąć wszelkich zagrożeń należy oddać je do naprawy lub wymiany przez sprzedawcę, punkt serwisowy lub specjalistę albo autoryzowany serwis. Błędna lub niefachowa naprawa może być niebezpieczna i powodować zagrożenie dla użytkowników.
- Zasilanie z domowej sieci elektrycznej musi być zgodne z informacjami podanymi na tabliczce znamionowej tego urządzenia. Jedyny sposób, aby odłączyć urządzenie to od zasilania, to wyjęcie wtyczki z gniazdka sieciowego.
- Używaj urządzenia tylko wtedy, jeśli jest podłączone do gniazdka z uziemieniem.
- Urządzenia tego nie wolno nigdy używać, jeśli przewód zasilający lub ono samo są uszkodzone
- Nie używaj przedłużaczy razem z tym urządzeniem.
- Nigdy nie dotykaj urządzenia ani jego wtyczki wilgotnymi lub mokrymi dłońmi.
- Urządzenie ustaw tak, aby zawsze był możliwy dostęp do wtyczki.
- Aby zapobiec uszkodzeniu przewodu zasilającego nie wolno dopuścić do jego ściskania, zginania ani ocierania o ostre krawędzie. Trzymaj przewód zasilający z dala od gorących powierzchni i otwartego ognia.
- Zadbaj, aby podczas używania tego urządzenia nie doszło do przypadkowego wypięcia przewodu zasilania ani potknięcia się o niego.
- Przed każdym czyszczeniem urządzenia i gdy nie jest ono używane należy wyjąć wtyczkę z gniazdka ściennego.
- Nie ciągnij za przewód zasilający, aby odłączyć to urządzenie od zasilania i nigdy nie owijaj przewodu zasilającego wokół urządzenia.
- Urządzenia, przewodu zasilającego ani wtyczki nie wolno zanurzać w wodzie ani w innym płynie. Nie trzymaj tego urządzenia pod bieżącą wodą.

Ważne instrukcje dotyczące bezpieczeństwa i ochrony środowiska naturalnego

- Podczas podgrzewania potraw w plastikowych lub papierowych pojemnikach często sprawdzaj kuchenkę ze względu na ryzyko zapłonu.
- Z papierowych lub plastikowych torebek dostosowanych do użycia w kuchenke mikrofalowej usuń druty i/lub metalowe uchwyty przed umieszczeniem ich w kuchenke.
- Jeśli zauważysz dym, wyłącz urządzenie lub wyciągnij wtyczkę i zostaw zamknięte drzwiczki, aby zapobiec zapłonowi.
- Nie używaj wnętrza kuchenki do przechowywania rzeczy. Nie zostawiaj wewnątrz kuchenki papierowych rzeczy, przyborów do gotowania ani jedzenia, jeśli nie jest ona używana.
- Należy zamieszać lub wstrząsnąć zawartość butelek do karmienia i słoiczków z jedzeniem dla dzieci oraz sprawdzić jej temperaturę przed spożyciem, aby uniknąć poparzeń.
- To urządzenie jest sprzętem grupy 2 klasa B ISM. Grupa 2 obejmuje wszystkie sprzęty ISM (Industrial, Scientific and Medical - przemysłowe, naukowe i medyczne), w których celowo generowane są fale radiowe i/lub używane w formie promieniowania elektromagnetycznego w celu obróbki materiałów oraz obrabiarki elektroiskrowe.
- Sprzęt klasy B nadaje się do użytku domowego i w miejscach bezpośrednio podłączonych do sieci zasilającej o niskim napięciu.
- Drzwiczki lub powierzchnie zewnętrzne urządzenia mogą się nagrzać w trakcie korzystania.

1.1.2 Bezpieczeństwo: Wyrób

- Nie można podgrzewać płynów ani innych produktów spożywczych w zamkniętym pojemniku, ponieważ istnieje ryzyko eksplozji.
- Podgrzewanie napojów w kuchenke mikrofalowej może spowodować, że będą wrzeć, pryskając na boki po wyjęciu ich z kuchenki; zachowaj ostrożność, trzymając pojemniki.

Ważne instrukcje dotyczące bezpieczeństwa i ochrony środowiska naturalnego

- Nie piecz niczego w kuchence. Gorący olej może uszkodzić części i materiały, z których jest wykonana kuchenka, i może spowodować oparzenia skóry.
- Nakłuj artykuły z grubą skórką, jak ziemniaki, cukinie, jabłka i kasztany.
- Urządzenie musi być ustawione w taki sposób, aby tył był skierowany do ściany.
- Jeśli drzwiczki lub ich uszczelki są uszkodzone, nie wolno używać kuchenki, aż zostanie naprawiona przez specjalistę.
- Przed przeniesieniem urządzenia zabezpiecz talerz obrotowy, aby zapobiec jego uszkodzeniu.
- Nie używaj kuchenki mikrofalowej do gotowania lub podgrzewania całych jajek, w skorupce czy bez.
- Nigdy nie zdejmuj części tylnej i boków urządzenia, które zapewniają minimalne odległości między ścianami szafki a urządzeniem, aby zapewnić wymaganą cyrkulację powietrza.
- Nie używaj tego urządzenia do celów niezgodnych z jego przeznaczeniem.
- Nie używaj tego urządzenia jako źródła ciepła.
- Kuchenka mikrofalowa jest przeznaczona wyłącznie do rozmrażania, gotowania i duszenia artykułów spożywczych.
- Nigdy nie gotuj potraw zbyt długo – możesz spowodować pożar.
- Do czyszczenia urządzenia nie używaj myjek parowych.
- Piekarnik należy regularnie czyścić i usuwać z wnętrza wszelkie pozostałości jedzenia.
- Nad górną częścią piekarnika należy zapewnić prześwit wynoszący co najmniej 20 cm.

1.3 Bezpieczeństwo: Dzieci

- Szczególną ostrożność zaleca się, gdy używane jest w pobliżu dzieci i osób o ograniczonych możliwościach fizycznych, zmysłowych lub umysłowych.

1.2 Przeznaczenie

- To urządzenie jest przeznaczone wyłącznie do użytku wbudowanego.

Ważne instrukcje dotyczące bezpieczeństwa i ochrony środowiska naturalnego

- Urządzenia tego mogą używać dzieci w wieku 8 lat lub starsze oraz osoby niepełnosprawne fizycznie, sensorycznie lub umysłowo, lub nieumiejętne i niedoświadczone, pod warunkiem, że ktoś nadzoruje ich użytkowanie pod względem bezpieczeństwa, lub zostały odpowiednio poinstruowane i zdają sobie sprawę z zagrożeń przy jego użytkowaniu. Dzieci nie powinny bawić się tym urządzeniem. Dzieci nie powinny czyścić go ani konserwować, o ile nie są pod nadzorem osoby dorosłej.
- Niebezpieczeństwo zadławienia! Wszystkie materiały opakowaniowe należy trzymać z dala od dzieci.
- Dzieci mogą korzystać z urządzenia bez nadzoru wyłącznie jeśli zostały odpowiednio poinstruowane i potrafią używać kuchenki mikrofalowej w bezpieczny sposób oraz rozumieją zagrożenia związane z nieprawidłowym użyciem.
- Ze względu na nadmiernie ciepło, które powstaje w trybie grillowania i trybie mieszanym, dzieci mogą korzystać z tych trybów tylko pod nadzorem dorosłego.
- Produkt i kabel zasilający powinny znajdować się poza zasięgiem dzieci poniżej 8 roku życia.
- Urządzenie i jego dostępne powierzchnie mogą być bardzo gorące w trakcie użytkowania. Chroń urządzenie przed dostępem dzieci.

1.4 Zgodność z dyrektywą WEEE i usuwanie odpadów:

Niniejszy wyrób jest zgodny z dyrektywą Parlamentu Europejskiego i Rady (2012/19/WE). Wyrób ten oznaczony jest symbolem klasyfikacji zużytych urządzeń elektrycznych i elektronicznych (WEEE).



Wyrób ten wykonano z części i materiałów wysokiej jakości, które mogą być odzyskane i użyte jako surowce wtórne. Po zakończeniu użytkowania nie należy pozbywać się go razem z innymi odpadkami domowymi. Należy przekazać go do punktu zbiórki urządzeń elektrycznych i elektronicznych na surowce wtórne. Aby dowiedzieć się, gdzie jest najbliższy taki punkt, prosimy skonsultować się z władzami lokalnymi.

1.5 Zgodność z dyrektywą RoHS:

Niniejszy wyrób jest zgodny z dyrektywą Parlamentu Europejskiego i Rady RoHS (Ograniczenie użycia substancji niebezpiecznych) (2011/65/WE). Nie zawiera szkodliwych i zakazanych materiałów, podanych w tej dyrektywie.

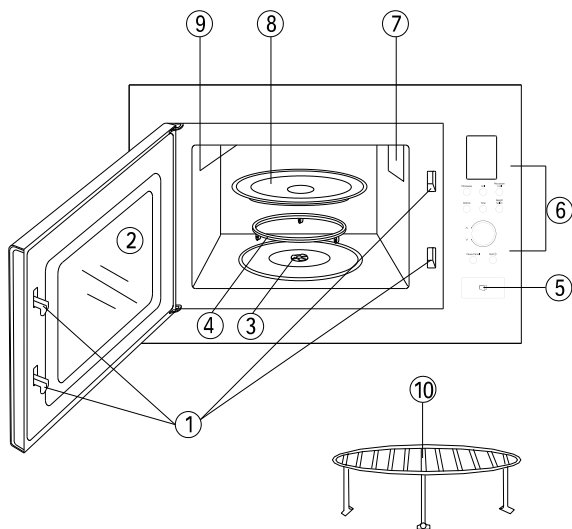
1.6 Informacje o opakowaniu



Opakowanie tego wyrobu wykonano z materiałów nadających się do recyklingu, zgodnie z naszym ustawodawstwem krajowym. Nie wyrzucaj materiałów opakowaniowych do śmieci wraz z innymi odpadkami domowymi. Oddaj je w jednym z wyznaczonych przez władze lokalne punktów zbiórki materiałów opakowaniowych.

2 Kuchenka mikrofalowa

2.1 Opis ogólny



1. System blokady zabezpieczającej drzwiczki
2. Okno kuchenki
3. Trzpień talerza obrotowego
4. Podpora talerza obrotowego
5. Przycisk otwarcia drzwi
6. Panel sterowania
7. Falowód (nie usuwać płyty mikowej zakrywającej falowód)
8. Tacka szklana
9. Grzałka grilla
10. Grill

2.2. Dane techniczne

Zużycie energii	230-240 V ~50 Hz, 1400 W (mikrofałe) 1000 W (grill)
Moc wyjściowa	900 W
Częstotliwość robocza	2450 MHz
Wymiary zewnętrzne	390 mm (wys.) X 595 mm (szer.) X 365 mm (gł.)
Wymiary wewnętrzne kuchenki	220 mm (wys.) X 340 mm (szer.) X 320 mm (gł.)
Pojemność kuchenki	23 litry
Masa netto	14,1 kg

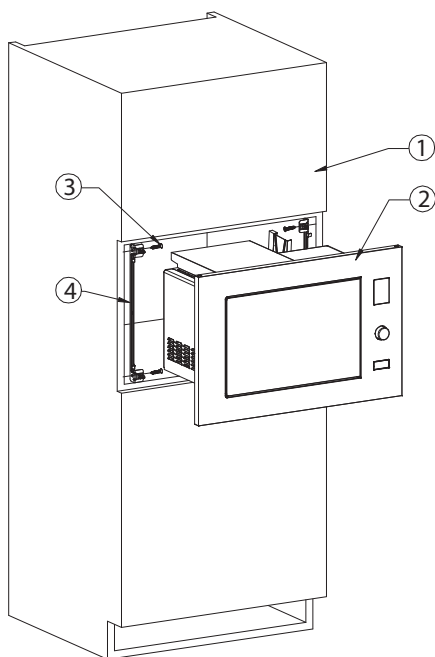
Wartości oznaczone na kuchenke i podane w innych dokumentach dostarczonych wraz z produktem uzyskano w warunkach laboratoryjnych, według stosownych norm. Wartości te mogą się różnić w zależności od sposobu użytkowania urządzenia i warunków w jego otoczeniu. Wartości mocy są testowane przy 240 V.

3 Instalacja

3.1. Instalacja

- Instalacja powinna być wykonana przez wykwalifikowanych pracowników serwisowych.
- Należy upewnić się, że wszystkie materiały opakowaniowe wewnątrz drzwiczek zostały usunięte.
- Urządzenie należy ustawić na poziomej powierzchni, która wytrzyma jego ciężar wraz z najcięższą żywnością, jaka może być przygotowywana w kuchni.
- Nie umieszczać urządzenia w miejscach o wysokiej wilgotności lub w pobliżu materiałów łatwopalnych.
- Nie używać kuchenki bez umieszczonej w poprawnej pozycji podpory talerza obrotowego.
- Upewnić się, że kabel zasilający nie jest uszkodzony i nie znajduje się pod urządzeniem lub na innych gorących bądź ostrych powierzchniach.
- Gniazdko, do którego podłączone jest urządzenie, powinno znajdować się w łatwo dostępnym miejscu, aby w razie niebezpieczeństwa szybko odłączyć urządzenie.
- Nie należy używać urządzenia na zewnątrz.

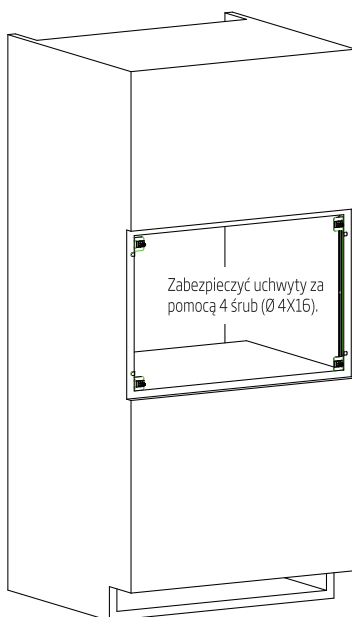
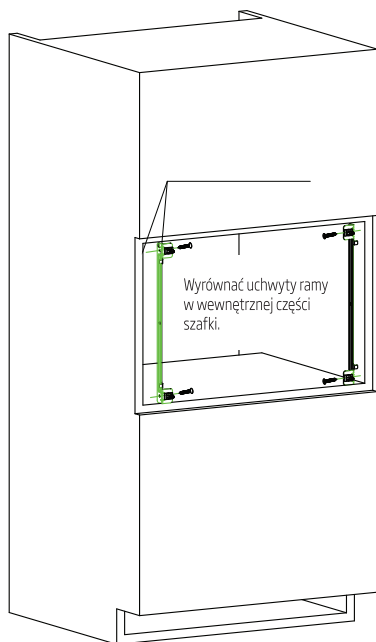
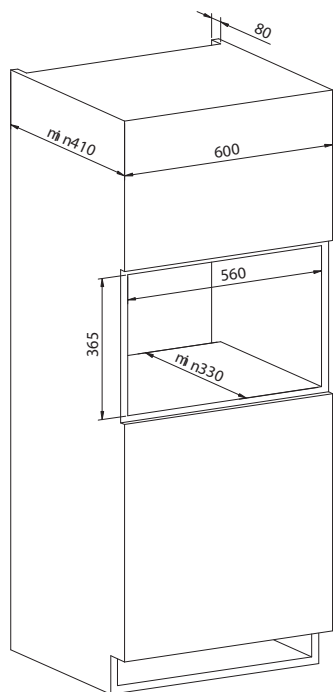
3.1.1 Zestaw do instalacji



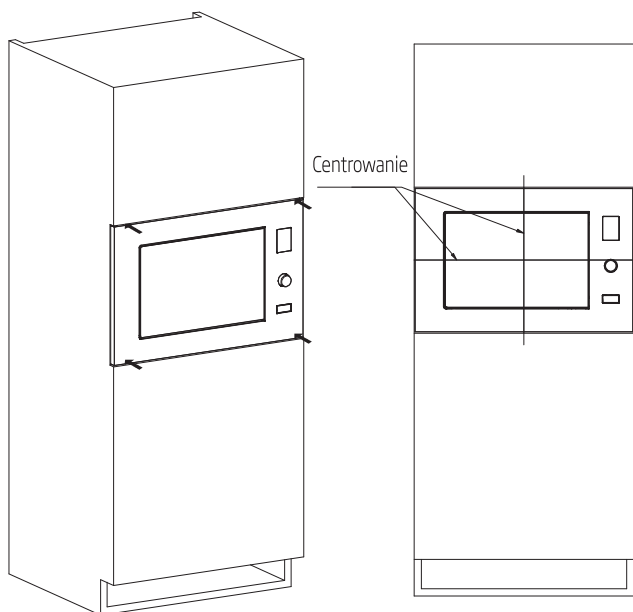
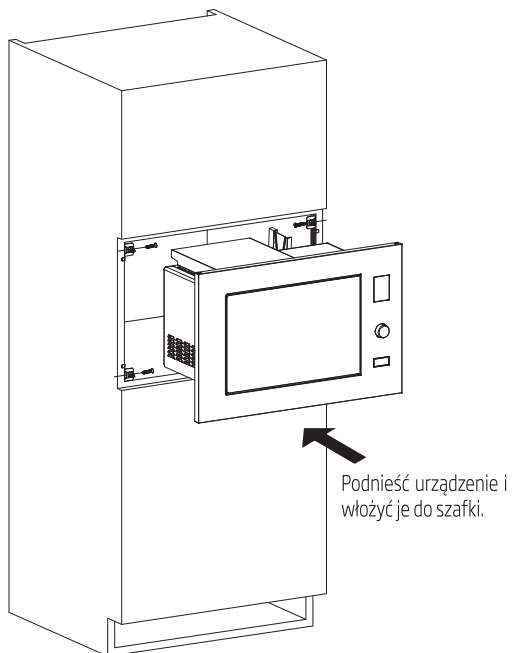
1. Szafka
2. Kuchenka mikrofalowa
3. \varnothing 4 śruby rozm. 16 (4 szt.)
4. Uchwyt mocujący do szafki

3 Instalacja

3.1.2 Szafka na kuchenkę mikrofalową



3 Instalacja



Po włożeniu urządzenia do obudowy docisnąć 4 narożniki ramy, aby zaczepy na uchwyty zatrzasnęły się na ramie.

3 Instalacja

3.2 Zakłócenia radiowe

Działanie kuchenki mikrofalowej może spowodować zakłócenia w odbiorze radia, telewizji i podobnych urządzeń.

W przypadku zakłóceń można je zmniejszyć lub wyeliminować, stosując opisane poniżej środki:

- Wyczyścić drzwiczki i powierzchnie uszczelniające urządzenia.
- Ponownie ustawić kierunek anteny radia lub telewizora.
- Przeszawić urządzenie uwzględniając lokalizację odbiornika.
- Ustawić urządzenie z dala od odbiornika.
- Podłączyć urządzenie do innego gniazda, aby kuchenka i odbiornik były podłączone do innych linii.

3.3 Zasady gotowania w kuchenke mikrofalowej

- Starannie przygotować żywność. Większe części umieścić bliżej brzegów naczynia.
- Zwracać uwagę na czas gotowania. Gotować w najkrótszym podanym czasie; w razie potrzeby wydłużyć trochę gotowanie. Przetworzona żywność może dymić lub spalić się.
- Przykryć żywność podczas gotowania. Przykrycie potrawy zapobiega pryskaniu i pomaga w równomiernym jej ugotowaniu.
- W trakcie gotowania w kuchenke mikrofalowej należy odwracać na drugą stronę potrawy takie jak drób czy hamburgery, aby przyspieszyć ich gotowanie. Większa żywność, np. pieczeń, musi zostać co najmniej raz odwrócona.
- W połowie procesu gotowania żywność taką jak klopsiki należy odwrócić i przemieszać, aby klopsiki znajdujące się w środku naczynia były przy brzegach.

3.4 Instrukcje uziemiania

Urządzenie bezwarunkowo powinno być uziemione. Urządzenie ma kabel uziemiający z uziemioną wtyczką. Urządzenie musi być podłączone do gniazda w ścianie, prawidłowo zainstalowanego i uziemionego.

System uziemienia ma przewód odprowadzający prąd elektryczny w przypadku zwarcia i zmniejsza ryzyko porażenia prądem. Zaleca się użycie obwodu elektrycznego dedykowanego dla tego urządzenia. Działanie pod wysokim napięciem jest niebezpieczne i może spowodować pożar lub inny wypadek, który może uszkodzić urządzenie.



OSTRZEŻENIE! Nieprawidłowe użycie wtyczki uziemiającej może być przyczyną porażenia prądem.



W przypadku dodatkowych pytań dotyczących instrukcji uziemienia i połączeń elektrycznych, należy skonsultować się z wykwalifikowanym elektrykiem lub pracownikami serwisowymi.



Producent i/lub sprzedawca nie przyjmują żadnej odpowiedzialności za obrażenia lub uszkodzenia kuchenki, które mogą wystąpić w przypadku nieprzestrzegania procedur połączenia elektrycznego.

Rdzenie wewnątrz kabla zasilającego mają następujące oznaczenia kolorystyczne:

Zielony i żółty = UZIEMIENIE

Niebieski = NEUTRALNY

Brązowy = NAPIĘCIE

3.5 Naczynia do kuchenki

- Najlepsze do kuchenki mikrofalowej są naczynia wyprodukowane z materiału przewodzącego mikrofałe, który pozwala na przepływ energii przez naczynie i dzięki temu na podgrzewanie żywności.

3 Instalacja

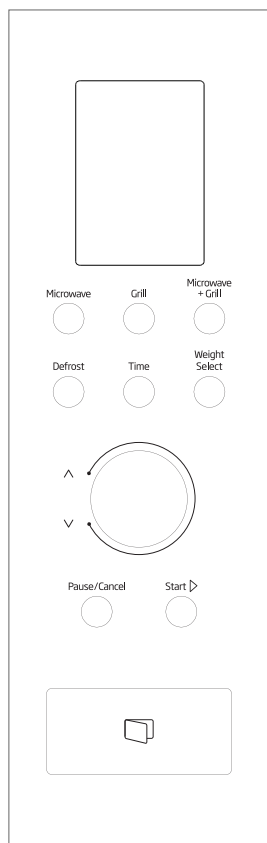
- Mikrofała nie mogą przenikać przez metal, w związku z tym naczynia metalowe lub z metalowymi zdobieniami nie mogą być używane.
- Nie wolno używać do gotowania produktów z makulatury, gdyż mogą zawierać ścinki metalu, wywołujące iskrzenie i/lub pożar.
- Zaleca się używanie okrągłych/owalnych naczyń zamiast kwadratowych/prostokątnych, w których żywność na brzegach może zostać przegrzana.
- Aby zapobiec przegotowaniu kawałków żywności znajdujących się na wierzchu naczynia, można użyć wąskich pasków folii aluminiowej. Jednak należy zachować ostrożność! Nie używać ich w nadmiarze i zachować odstęp 2,5 cm (1 cal) między folią a wewnętrzną powierzchnią urządzenia.

Poniższa lista jest ogólnym przewodnikiem pomagającym wybrać właściwe naczynie.

Naczynia kuchenne	Mikrofała	Grill	Tryb mieszany
Szkło żaroodporne	Tak	Tak	Tak
Zwykłe szkło	Nie	Nie	Nie
Ceramika żaroodporna	Tak	Tak	Tak
Plastikowe naczynia odpowiednie do kuchenki mikrofalowej	Tak	Nie	Nie
Papierowe naczynia kuchenne	Tak	Nie	Nie
Metalowa tacka	Nie	Tak	Nie
Metalowa kratka	Nie	Tak	Nie
Folia aluminiowa i naczynia foliowe	Nie	Tak	Nie

4 Obsługa

4.1 Panel sterowania



Wyświetlacz menu obsługi

Mikrofała

Nacisnąć kilka razy ten przycisk, aby ustawić poziom gotowania przy pomocy mikrofała.

Grill

Nacisnąć ten przycisk, aby wybrać program grilowania.

Mikrofała + grill

Nacisnąć ten przycisk, aby wybrać jeden z mieszanych programów gotowania.

Rozmrażanie

Nacisnąć ten przycisk, aby rozmrozić żywność według jej ciężaru.

Data / czas

Nacisnąć ten przycisk, aby ustawić czas.

Wybór ciężaru

Nacisnąć ten przycisk, aby wybrać ciężar dla programów wymagających wyboru ciężaru.

Pokrętko ustawień

Przez obrót pokrętki można ustawić czas, czas gotowania, menu lub ciężar.

Funkcja automatycznego gotowania wybierana jest przez przekręcenie pokrętki ustawień przeciwnie do ruchu wskazówek zegara.

Zatrzymanie/anulowanie

Nacisnąć ten przycisk, aby anulować ustawienie lub zresetować kuchenkę przed ustawieniem programu gotowania.

Nacisnąć przycisk raz, aby wstrzymać gotowanie lub dwa razy, aby zatrzymać całkowicie.

Może być także użyty do ustawienia blokady zabezpieczającej przed dziećmi.

Przycisk rozpoczęcia

Nacisnąć przycisk, aby rozpocząć program gotowania.

Kilkukrotne naciśnięcie przycisku spowoduje działanie kuchenki z najwyższą mocą.

Każde naciśnięcie trwa 30 sekund.

4.2 Ustawianie elementów sterujących kuchenki

Urządzenie wydaje słyszalny dźwięk podczas regulacji.

JEDEN DŹWIĘK: Kuchenka akceptuje wprowadzone wartości.

DWA DŹWIĘKI: Kuchenka odrzuca wprowadzone wartości. Sprawdzić i spróbować ponownie.

4.2.1 Ustawienie zegara cyfrowego

Aby ustawić czas uruchamiania na 08:30:

- W trybie gotowości nacisnąć przycisk CZAS/ZEGAR przez 3 sekundy. Na wyświetlaczu pojawi się „12-godz.”. Aby przestawić na 24-godzinny format wyświetlania czasu, należy ponownie nacisnąć przycisk CZAS/ZEGAR.
- Przekręcić pokrętko USTAWIENIA i ustawić sekcję godziny na 8.

4 Obsługa

- Wcisnąć jednokrotnie przycisk „CZAS TRWANIA/ CZAS”
- Przekręcić pokrętkę USTAWIENIA i ustawić sekcję minut na 8:30.
- Nacisnąć jednokrotnie przycisk CZAS TRWANIA/ CZAS, aby zatwierdzić ustawienie.



Można sprawdzić ustawienie czasu podczas gotowania naciskając jednokrotnie przycisk CZAS TRWANIA/ CZAS.

4.2.2 Gotowanie za pomocą mikrofal

Najdłuższy czas gotowania za pomocą mikrofal wynosi 95 minut. Można ustawić poziom mocy, naciskając wielokrotnie przycisk MIKROFALA.

- Na przykład, gotowanie przez 5 minut z mocą 60%:
- Nacisnąć przycisk ZATRZYMANIE/ANULOWANIE.
- Wielokrotnie nacisnąć przycisk POZIOM MOCY, aby wybrać poziom mocy.

Wyświetlacz	Moc gotowania
P100	100%
P80	80%
P60	60%
P40	40%
P20	20%
P00	00%

- Przekręcać pokrętkę USTAWIENIA, aż na ekranie wyświetli się 5:00.
- Nacisnąć przycisk START.



Podczas gotowania można sprawdzić moc gotowania naciskając przycisk MIKROFALA.



Po zakończeniu gotowania/rozmrzania kuchenka wydaje sygnał dźwiękowy i na ekranie wyświetla się wiadomość „Koniec”. Aby wyyczyścić wyświetlacz należy nacisnąć przycisk ZATRZYMANIE/ANULOWANIE lub otworzyć drzwiczki przed ustawieniem innej funkcji. (Może być użyte dla następujących funkcji gotowania.)

4.2.3 Szybkie uruchomienie

Ta funkcja służy do szybkiej obsługi kuchenki. Najdłuższy czas gotowania wynosi 10 minut.

Aby ustawić czas gotowania w trybie gotowości, należy nacisnąć szybko wielokrotnie przycisk START; urządzenie natychmiast zacznie działać z pełną mocą.

4.2.4 Rozmrzanie według ciężaru

Urządzenie może rozmrażać żywności w zależności od jej ciężaru. Czas trwania i moc rozmrażania ustawiane są automatycznie po ustawieniu ciężaru. Ciężar żywności może wynosić między 100 g a 1800 g.

W przypadku rozmrażania 600 g krewetek:

- Umieścić krewetki w urządzeniu i zamknąć drzwiczki.
- Nacisnąć przycisk ZATRZYMANIE/ANULOWANIE.
- Nacisnąć jednokrotnie przycisk ROZMRZANIE.
- Nacisnąć wielokrotnie przycisk WYBÓR CIĘŻARU, aż wyświetli się 600 g.
- Nacisnąć przycisk START.



Podczas procesu rozmrażania system zatrzymuje się wydając słyszalny sygnał w celu przypomnienia o odwróceniu żywności; nacisnąć przycisk START, aby kontynuować.

4 Obsługa

4.2.5 Gotowanie w kolejności (Gotowanie wielofunkcyjne)

Na urządzeniu można zaprogramować 3 automatyczne kolejności gotowania.

Założenie ustawienia następującego programu gotowania:

1 min. gotowania przy poziomie mocy 60% i 2 min. gotowania przy pełnym poziomie mocy.

- Nacisnąć przycisk ZATRZYMANIE/ANULOWANIE.
- Wielokrotnie nacisnąć przycisk MIKROFALA, aż na ekranie wyświetli się kod P60.
- Przekręcać pokrętkę USTAWIENIA, aż na ekranie wyświetli się 1 min.
- Wielokrotnie nacisnąć przycisk MIKROFALA, aż na ekranie wyświetli się kod P100.
- Przekręcać pokrętkę USTAWIENIA, aż na ekranie wyświetli się 2 min.
- Nacisnąć przycisk START.



Szybki start, Menu i Rozmrażanie według ciężaru nie mogą być ustawiane w wieloetapowym trybie gotowania. Odpowiednie lampki świecą się, wskazując etap działania kuchenki.

4.2.6 Gotowanie automatyczne

Dla żywności i następujących czasów gotowania ustawianie czasu trwania i mocy gotowania nie jest konieczne. Wystarczy tylko wybrać typ i ciężar żywności. W połowie czasu gotowania może być konieczne odwrócenie żywności na drugą stronę w celu równomiernego jej ugotowania.

Na przykład: Gotowanie 400-gramowej ryby

- Nacisnąć przycisk ZATRZYMANIE/ANULOWANIE.
- Przekręcać pokrętkę USTAWIENIA odwrotnie do kierunku wskazówek zegara, aby wybrać kod żywności. Wybrany symbol będzie świecił na ekranie.
- Nacisnąć wielokrotnie przycisk WYBÓR CIĘŻARU, aby wybrać ciężar 400 g.
- Nacisnąć przycisk START.

Menu automatycznego gotowania

Kod	Tryb żywności/gotowania	
A-1	Popcorn	
A-2	Mleko/kawa (200 ml/filizanka)	W przypadku mleka/kawy i ziemniaków należy podać liczbę porcji zamiast ciężaru żywności.
A-3	Warzywa	W przypadku popcornu jest tylko jedna opcja.
A-4	Ziemniaki (230 g/sztuka)	Wynik automatycznego gotowania jest uzależniony od takich czynników jak wahania napięcia, kształt i rozmiar żywności, osobisty wybór poziomu gotowania poszczególnej żywności, a nawet od sposobu ułożenia żywności w urządzeniu. Jeżeli wynik gotowania nie jest satysfakcjonujący, należy ustawić czas gotowania według własnego uznania.
A-5	Pizza	
A-6	Automatyczne odgrzewanie (g)	
A-7	Grillowany kurczak	
A-8	Grillowany stek	



W opcji Grillowany kurczak lub Grillowany stek program wyda sygnał i zatrzyma się, aby przypomnieć, że konieczne jest odwrócenie żywności. Po odwróceniu żywności nacisnąć przycisk START, aby kontynuować.

4.2.7 Grill

Najdłuższy czas grillowania wynosi 95 minut.

- Przykładowe założenie gotowania przez 5 minut w trybie grilla.
- Nacisnąć przycisk ZATRZYMANIE/ANULOWANIE.
- Wybrać tryb grillowania przez jednokrotne naciśnięcie przycisku Grill.

4 Obsługa

- Przekręcać pokrętkę USTAWIENIA, aż na ekranie wyświetli się 5:00.
- Nacisnąć przycisk START.



W trybach gotowania Grill/Tryb mieszany należy wstrzymać program i odwrócić żywność, aby obie strony ugotowały się równomiernie.

Anulowanie: Nacisnąć i przytrzymać przycisk ZATRZYMANIE/ANULOWANIE przez 3 sekundy, aż symbol blokady zniknie z wyświetlacza.

4.2.8 Tryb mieszany

Najdłuższy czas gotowania w trybie mieszanym wynosi 95 minut.

- Przykładowe założenie gotowania w trybie mieszanym przez 12 minut.
- Nacisnąć przycisk ZATRZYMANIE/ANULOWANIE.
- Wybrać jeden z trybów mieszanych z poniższej tabeli naciskając dwu- lub trzykrotnie przycisk Mikrofala+Grill.
- Przekręcać pokrętkę USTAWIENIA, aż na ekranie wyświetli się 12:00.
- Nacisnąć przycisk START.

Liczba naciśnieć przycisku Mikrofala+Grill	Tryb mieszany	Czas gotowania	
		Mikrofala	Grill
2X	Co-1	30%	70%
3X	Co-2	55%	45%

4.2.9 Blokada zabezpieczająca przed dziećmi

Użyć tej funkcji, aby zapobiec uruchomieniu urządzenia przez dzieci bez nadzoru. Symbol blokady zabezpieczającej przed dziećmi jest wyświetlany i urządzenie nie będzie działać podczas tego ustawienia.

Ustawianie: Jeżeli kuchenka jest w trybie gotowości lub ustawiania, nacisnąć i przytrzymać przez 3 sekundy przycisk ZATRZYMANIE/ANULOWANIE; urządzenie wyda słyszalny dźwięk i wyświetli się symbol blokady. W trybie blokady wszystkie przyciski są nieaktywne.

5 Czyszczenie i konserwacja

5.1 Czyszczenie



OSTRZEŻENIE! Do czyszczenia urządzenia nie wolno używać benzyny, rozpuszczalnika, ściernych środków czyszczących, metalowych przedmiotów ani twardych szczotek.



OSTRZEŻENIE! Nigdy nie wolno zanurzać urządzenia ani jego kabla zasilającego w wodzie ani w żadnym innym płynie.

1. Wyłącz urządzenie i wyjmij wtyczkę z gniazdka.
2. Poczekaj, aż urządzenie całkiem ostygnie.
3. Zadbaj, aby wewnątrz kuchenki było czyste. Wycieraj wilgotną ściereczką ścianki kuchenki, jeśli zostaną zachlapanie jedzeniem lub rozlanymi płynami. Jeśli kuchenka jest bardzo brudna, możesz użyć łagodnego detergentu. Unikaj używania sprayów i innych ostrych środków czyszczących, ponieważ mogą one spowodować powstanie plam, śladów i odbarwień na powierzchni drzwiczek.
4. Zewnętrzne powierzchnie kuchenki należy czyścić wilgotną ściereczką. Dbaj, aby przez otwory wentylacyjne woda nie dostała się do wnętrza, aby zapobiec uszkodzeniu części eksploatacyjnych kuchenki.
5. Często przecieraj wilgotną ściereczką obydwie strony drzwiczek i szklaną tackę, uszczelki drzwiczek i części w pobliżu uszczelek, aby usunąć ślady po rozlaniu i zachlapaniu. Nie używaj ściernych środków czyszczących.
6. Nie zamocz panelu sterowania. Urządzenie czyść wilgotną, miękką ściereczką. Czyszcząc panel sterowania, zostaw otwarte drzwiczki, aby zapobiec przypadkowemu włączeniu.
7. Jeśli od wewnętrznej strony drzwiczek lub w ich pobliżu zbierze się para, zetrzyj ją miękką ściereczką. Para może się pojawić, jeśli kuchenka mikrofalowa działa w warunkach dużej wilgotności. Jest to normalne zjawisko.
8. W niektórych przypadkach możesz musieć wyjąć szklaną tackę do czyszczenia. Umyj tackę w ciepłej wodzie z płynem lub w zmywarce.
9. Należy regularnie czyścić pierścień obrotowy i spód kuchenki, aby zapobiec nadmiernej hałasowi. Wystarczy przetrzeć dolną powierzchnię kuchenki łagodnym detergentem. Pierścień obrotowy można myć w ciepłej wodzie z płynem lub w zmywarce. Jeśli wymiesz pierścień obrotowy ze spodu kuchenki do czyszczenia, koniecznie zamontuj do z powrotem w odpowiednim położeniu.
10. Aby usunąć brzydkie zapachy z kuchenki, do głębokiej miski, odpowiedniej do używania w kuchenke mikrofalowej, wlej szklaną wodę, sok i skórkę z cytryny i włącz kuchenkę na 5 minut w trybie mikrofal. Następnie dokładnie wytrzyj wnętrze do sucha miękką ściereczką.
11. Jeśli żarówka w kuchenke wymaga wymiany, skontaktuj się z autoryzowanym serwisem.
12. Kuchenkę należy czyścić regularnie i usuwać wszelkie pozostałości po żywności. Jeśli kuchenka nie jest utrzymywana w czystości, mogą wystąpić uszkodzenia powierzchni, które negatywnie wpłyną na żywotność urządzenia i które mogą spowodować zagrożenia.
13. Nie wyrzucaj tego urządzenia z odpadami domowymi; stare kuchenki należy oddawać do specjalnych punktów zbiórki prowadzonych przez samorządy.
14. Jeśli kuchenka mikrofalowa jest używana w funkcji grillowania, może pojawić się niewielka ilość dymu i zapach, które znikną po pewnym czasie używania.

5 Czyszczenie i konserwacja

5.2 Przechowywanie

- Jeśli nie zamierzasz używać urządzenia przez dłuższy czas, należy je starannie przechować.
- Upewnij się, że urządzenie jest odłączone od zasilania, ostygło i jest całkiem suche.
- Przechowuj urządzenie w chłodnym i suchym miejscu.
- Urządzenie należy chronić przed dostępem dzieci.

5.3 Przenoszenie i transport

- Urządzenie należy przenosić i transportować w oryginalnym opakowaniu.
- Zabezpiecza ono urządzenie przed fizycznymi uszkodzeniami.
- Nie wolno umieszczać ciężkich przedmiotów na urządzeniu ani opakowaniu. Może to spowodować uszkodzenie urządzenia.

**Beko S.A. ul. Puławska 366,
02-819 Warszawa, www.beko.pl**

Infolinia 22 250 14 14



Podpis i pieczęć instalatora (z numerem uprawnień) w przypadku montażu urządzeń gazowych lub płyt i piekarników elektrycznych

Aby otrzymać więcej informacji dotyczących serwisu np. gdzie kupić części zamienne lub akcesoria należy odwiedzić stronę internetową www.beko.pl i wybrać zakładkę serwis.

WARUNKI GWARANCJI BEKO S.A.

BEKO spółka akcyjna z siedzibą w Warszawie (02-819), przy ulicy Puławskiej 366, wpisana do rejestru przedsiębiorców prowadzonego przez Sąd Rejonowy dla m.st. Warszawy w Warszawie, XIII Wydział Gospodarczy Krajowego Rejestru Sądowego, pod numerem: 0000078147 (dalej: „BEKO”) udziela gwarancji jakości (dalej: „Gwarancja”) na wprowadzone przez BEKO do obrotu na terenie Polski produkty marki BEKO (dalej: „Urządzenia”) osobom, które nabyły te produkty („Użytkownik”) na następujących warunkach:

I. ZAKRES OCHRONY.

1. BEKO gwarantuje, że Urządzenie zakupione przez Użytkownika jest wolne od wad produkcyjnych lub materiałowych, powstałych z przyczyn tkwiących w tym Urządzeniu (dalej: „Wada”), które ujawnią się w ciągu terminu określonego w części II. niniejszych Warunków Gwarancji (dalej: „Okres Gwarancyjny”).
2. W razie ujawnienia się Wady Produktu w trakcie Okresu Gwarancyjnego, zostanie ona usunięta na koszt BEKO w sposób uzależniony od właściwości wady, na zasadach i w zakresie określonym w niniejszych Warunkach Gwarancji.
3. BEKO zobowiązuje się do usunięcia Wady poprzez dokonanie nieodpłatnej naprawy lub wymiany Urządzenia, bądź też reklamacja zgłoszona na podstawie niniejszych Warunków Gwarancji zostanie rozpoznana w inny sposób uzgodniony przez BEKO i Użytkownika.
4. Udzielona gwarancja jest ważna na terytorium Rzeczypospolitej Polskiej.

II. CZAS TRWANIA GWARANCJI.

1. Okres Gwarancyjny wynosi 24 miesiące licząc od daty zakupu Urządzenia przez pierwszego Użytkownika, z zastrzeżeniem wynikającym z punktu 2 poniżej.
2. Udzielona gwarancja nie obejmuje Urządzeń zakupionych później niż 36 miesięcy licząc od daty produkcji Urządzenia zgodnie z numerem seryjnym znajdującym się na tabliczce znamionowej Urządzenia.

III. PROCEDURA ZGŁOSZENIA REKLAMACYJNEGO.

1. Wady Urządzenia ujawnione w Okresie Gwarancyjnym będą usuwane pod warunkiem przedstawienia przez Użytkownika dowodu zakupu tego Urządzenia zawierającego oznaczenia niezbędne do jego identyfikacji (model, datę zakupu).
2. W przypadku zgłoszenia wad Urządzeń, które wymagają fachowej instalacji do sieci elektrycznej lub gazowej (t.j.: kuchnie, płyty grzewcze i piekarniki elektryczne), realizacja uprawnień z Gwarancji uzależniona jest od przedstawienia przez Użytkownika dowodu, na którym widnieją dane instalatora oraz jego numer uprawnień elektrycznych lub gazowych.
3. Uprawnienia wynikające z niniejszych Warunków Gwarancji mogą być zrealizowane przez Użytkownika wyłącznie w Autoryzowanych Punktach Serwisowych BEKO (dalej: „Serwis”) po uprzednim dokonaniu zgłoszenia na Infolinii BEKO pod numerem telefonu: 222 50 14 14. Lista wszystkich lokalizacji Serwisu dostępna jest na stronie internetowej BEKO www.beko.pl
4. Urządzenie do zabudowy meblowej powinno być udostępnione do naprawy przez Użytkownika lub Sprzedawcę w sposób umożliwiający przystąpienie do jego naprawy przez pracowników Serwisu Beko.
5. Wady Urządzenia będą usunięte w terminie 21 dni od daty zgłoszenia Wady na Infolinii BEKO.
6. Jeżeli część zamienna wymieniana w ramach uprawnień wynikających z niniejszych Warunków Gwarancji Urządzenia jest sprowadzana z zagranicy, termin naprawy, o którym mowa w punkcie 5 powyżej, może ulec wydłużeniu jednak, nie więcej niż do 30 dni licząc odpowiednio od daty zgłoszenia Wady na Infolinii BEKO. BEKO zastrzega, że w wyjątkowych przypadkach, gdy Wada nie wpływa na funkcjonowanie Urządzenia, dopuszczalne jest przekroczenie terminu 30 dni opisanego w zdaniu poprzedzającym, jednak nie więcej niż o 30 kolejnych dni. Informacje o spodziewanych terminach napraw dostępne są na Infolinii BEKO pod numerem 22 250 14 14.
7. Po usunięciu Wady, Urządzenie zostanie dostarczone Użytkownikowi na koszt BEKO.

IV. WYŁĄCZENIA.

1. Warunkiem skorzystania z niniejszych Warunków Gwarancji jest: a. użytkowanie Urządzenia zgodnie z Instrukcją Obsługi dołączoną do tego Urządzenia i jego przeznaczeniem, jak również odpowiednia konserwacja Urządzenia; b. użytkowanie w warunkach indywidualnego gospodarstwa domowego. c. stosowanie osprzętu zalecanego przez producenta; d. brak ingerencji w Urządzenie przez osoby do tego nieupoważnione; e. brak ingerencji w tabliczkę znamionową z numerem seryjnym Urządzenia.
2. Udzielona przez Beko Gwarancja nie obejmuje:

- a. wad powstałych z przyczyn innych niż tkwiące w Urzędzeniu;
- b. czynności przewidzianych w Instrukcji Obsługi, do wykonania których zobowiązany jest Użytkownik Urzędzenia we własnym zakresie i na swój koszt, w tym: instruktażu dotyczącego obsługi Urzędzenia, instalacji oraz regulacji urzędzenia gazowego (w tym ustawienia płomienia oszczędnościowego palników, wymiana dysz itp.);
- c. usterek powstałych w wyniku nieprawidłowego lub niewłaściwego użytkowania, niedbalstwa, przypadkowego uszkodzenia Urzędzenia, nieodpowiedniego napięcia prądu lub dokonania jakichkolwiek zmian, które mają wpływ na niewłaściwe działanie Urzędzenia, i które naprawiane były przez osoby nieupoważnione, używania instalacji niezgodnych z odpowiednimi Polskimi Normami i innych niż wymienione w Instrukcji Obsługi Urzędzenia;
- d. uszkodzeń mechanicznych, termicznych, chemicznych, korozji, innych uszkodzeń spowodowanych działaniem lub zaniedbaniem Użytkownika lub powstałych na skutek działania sił zewnętrznych (do których zalicza się w szczególności wyładowania atmosferyczne, skoki napięcia, wszystkiego rodzaju awarie domowej instalacji wodno-kanalizacyjnej, itp.), a także powstałych na skutek przedostania się zanieczyszczeń lub ciał obcych do Urzędzenia.
- e. elementów ze szkła oraz plastiku;
- f. odbarwień Urzędzenia lub poszczególnych jego części;
- g. usterek powstałych w wyniku niewłaściwego montażu Urzędzenia w zabudowie meblowej, niezgodnego z Instrukcją Obsługi Urzędzenia lub innymi wytycznymi dotyczącymi montażu sprzętu w zabudowie meblowej określonymi przez Producenta;
- h. usterek powstałych na skutek przechowywania i użytkowania Urzędzenia w warunkach, które są niezgodne z normalnymi warunkami domowymi określonymi wymaganiami powszechnie obowiązujących przepisów prawa i odpowiednich Polskich Norm.

V. POZOSTAŁE POSTANOWIENIA. Niniejsze warunki gwarancji mają zastosowanie do Urzędzeń zakupionych od dnia 25.12.2014 r. Gwarant oświadcza, że niniejsza Gwarancja jest udzielana Użytkownikowi dodatkowo i nie wyłącza, nie ogranicza ani nie zawiesza uprawnień Użytkownika wynikających z przepisów o rękojmi za wady rzeczy sprzedanej na podstawie Kodeksu cywilnego.




Nejprve si tento návod přečtěte!

Vážený zákazníku,

Děkujeme, že jste si vybrali produkt značky Beko. Doufáme, že s tímto produktem, který byl vyroben s využitím vysoce kvalitní a moderní technologie, dosáhnete těch nejlepších výsledků. Proto si před použitím produktu pečlivě přečtěte celý návod k použití a jakékoli doplňující dokumenty a uchovejte je pro budoucí použití. Pokud produkt předáte další osobě, rovněž jí předejte návod k použití. Dodržte veškerá varování a informace obsažené v návodu k použití.

Význam symbolů

V různých částech tohoto návodu k použití jsou použity následující symboly:

	Důležité informace o užitečných tipech k použití.
	Upozornění na nebezpečné situace týkající se ohrožení života a majetku.
	Upozornění na horké povrchy.



Tento produkt byl vyroben v ekologicky šetrných a moderních zařízeních bez poškození přírody.

Tento spotřebič splňuje směrnice WEEE.



Neobsahuje PCB.

Důležité bezpečnostní pokyny a pokyny týkající se životního prostředí

Tento oddíl obsahuje bezpečnostní pokyny, které pomohou s ochranou před zraněním osob nebo poškozením majetku, vzniku požáru, zásahem elektrickým proudem. Nedodržení těchto pokynů zruší platnost záruky.

1.1 Obecné bezpečnostní pokyny

- Nepokoušejte se troubu spustit, jsou-li dveře otevřené; v takovém případě se můžete vystavit škodlivému mikrovlnnému záření. Bezpečnostní zámky nesmí být rozbité nebo zablokované.
- Nevkládejte žádný předmět mezi přední stranu a dveře trouby. Nedovolte, aby se na povrchu udržely nečistoty nebo zbytky čisticích prostředků.
- Jakékoli servisní práce zahrnující vyjmutí krytu, který zajišťuje ochranu před vystavením se mikrovlnnému záření, musí provést autorizovaný servis. Jakýkoli jiný přístup je nebezpečný.
- Váš produkt je určený k vaření, ohřívání a rozmrazování potravin v domácnosti. Nesmí být používán pro komerční účely. Výrobce nenese zodpovědnost za škody způsobené špatným používáním.
- Tento spotřebič nepoužívejte venku, v koupelně, ve vlhkém prostředí nebo na místech, kde může zvlhnout.
- Nelze uplatnit žádnou záruku ani požadovat plnění za odpovědnost za škody vyplývající ze špatného použití nebo nesprávné manipulace se spotřebičem.
- Nikdy se nepokoušejte spotřebič demontovat. Na škody způsobené nesprávnou manipulací se nevztahuje záruka.

Důležité bezpečnostní pokyny a pokyny týkající se životního prostředí

- Používejte pouze originální části doporučené výrobcem.
- Nenechávejte spotřebič bez dozoru, pokud je v provozu.
- Spotřebič vždy používejte na stabilním, rovném, čistém a suchém povrchu.
- Tento spotřebič nesmí být používán s externím časovačem nebo samostatným systémem dálkového ovládní.
- Než spotřebič použijete poprvé, vyčistěte všechny části. Viz údaje v části "Čištění a péče".
- Spotřebič používejte pouze k určenému účelu, jak je popsáno v tomto návodu. Na tento spotřebič nepoužívejte abrazivní chemické látky ani páru.
Tato trouba je určena zejména k vaření a ohřívání potravin. Není určena k průmyslovému nebo laboratornímu použití.
- Spotřebič nepoužívejte k sušení oblečení nebo utěrek.
- Spotřebič se při používání velmi zahřeje. Dejte pozor, abyste se nedotkli horkých částí v troubě.
- Vaše trouba není navržena k sušení žádných živých stvoření.
- Troubu nespouštějte prázdnou.
- Kuchyňské náčiní se může z důvodu tepla přeneseného z ohřátého jídla na náčiní zahřát. Při přenášení náčiní můžete potřebovat chňapku.
- Kuchyňské náčiní je třeba zkontrolovat, aby se zajistilo, že je vhodné k použití v mikrovlnných troubách.
- Troubu nepokládejte na žádný spotřebič generující teplo. V opačném případě může dojít k poškození a zrušení platnosti záruky.
- Mikrovlnná trouba nesmí být umístěna do skříně, která neodpovídá pokynům k instalaci.

Důležité bezpečnostní pokyny a pokyny týkající se životního prostředí

- Během otevření krytu nebo fólie zakrývající jídlo může po uvaření jídla vycházet pára.
- Při vyjímání ohřátého jídla použijte chňapky.
- Spotřebič a jeho dostupné povrchy se mohou během používání hodně zahřát.
- Dveře a vnější sklo se mohou během používání spotřebiče velmi zahrát.
- Zkontrolujte, zda vaše napájení odpovídá informacím uvedeným na štítku spotřebiče. Jediný způsob, jak odpojit zařízení od zdroje napájení, je odpojit napájecí adaptér.
- Spotřebič zapojujte pouze do uzemněné zásuvky.
- Nikdy nepoužívejte spotřebič, pokud je poškozen napájecí kabel nebo spotřebič.

1.1.1 Elektrická bezpečnost

- Mikrovlnná trouba Beko splňuje platné bezpečnostní standardy, v případě jakéhokoli poškození spotřebiče nebo napájecího kabelu musí být provedena oprava nebo výměna prodejcem, servisním centrem nebo odborníkem z autorizovaného servisu, čímž es předejte poškození. Chybná nebo neodborná oprava může způsobit nebezpečí a riziko pro uživatele.
- Pro práci se spotřebičem nepoužívejte prodlužovací kabel.
- Nikdy nesahejte na spotřebič nebo zástrčku mokřýma nebo vlhkýma rukama.
- Spotřebič umístěte tak, aby byla zástrčka vždy přístupná.
- Zabraňte poškození napájecího kabelu, zabraňte jeho zmáčknutí, ohnutí nebo odírání o ostré hrany. Napájecí kabel udržujte mimo horké povrchy a otevřený oheň.

Důležité bezpečnostní pokyny a pokyny týkající se životního prostředí

- Ujistěte se, že neexistuje žádná nebezpečí, že by byl napájecí kabel náhodně vytažen nebo že by o něj mohl někdo během používání zakopnout.
- Spotřebič odpojte před každým čištěním a v případě, že jej nepoužíváte.
- Při odpojení z napájecí sítě za napájecí kabel spotřebiče netahajte a nikdy ho neovinujte okolo spotřebiče.
- Spotřebič, napájecí kabel nebo zástrčku neponořujte do vody ani jiných kapalin. Nedržte pod tekoucí vodou.
- Při ohřívání potravin v plastových nebo papírových nádobách troubu z důvodu možnosti vznícení často kontrolujte.
- Než sáčky s potravinami vložíte do mikrovlnné trouby, odstraňte kovové sponky a/nebo jiné části.
- Pokud zpozorujete kouř, spotřebič vypněte nebo ho odpojte, dveře nechte zavřené, abyste předešli vznícení.
- Vnitřní část trouby nepoužívejte jako úložný prostor. Když se trouba nepoužívá, nenechávejte v ní žádné papíry, materiál na vaření ani potraviny.
- Obsah kojeneckých lahví a lahviček s dětskou výživou je třeba před použitím promíchat nebo s nimi zatřepat, abyste tak předešli popáleninám.
- Tento spotřebič spadá do skupiny 2 třídy B zařízení ISM. Skupina 2 obsahuje všechna ISM zařízení (průmyslové, vědecké a lékařské), které generuje vysokofrekvenční energii a/nebo se používá ve formě elektromagnetického záření pro ošetření materiálu a elektrojiskrového zařízení.

Důležité bezpečnostní pokyny a pokyny týkající se životního prostředí

- Zařízení třídy B je vhodné k použití v domácím prostředí přímo připojeném k napájecí síti s nízkým napětím.
- Dveře nebo vnější povrch spotřebiče se může během používání hodně zahřát.

1.1.2 Bezpečnost produktu

- Kapaliny nebo jiné potraviny nesmí být ohřívány v uzavřených nádobách, neboť existuje nebezpečí exploze.
- Ohřívání nápojů v mikrovlnné troubě může způsobit, že jsou přivedeny k varu, rozstříknou se, jakmile jsou vyjmuty z trouby, proto dávejte při přenášení nádob pozor.
- V troubě nic neopékejte. Horký olej může poškodit komponenty a materiály trouby a dokonce může způsobit popálení kůže.
- Potraviny se slupkou jako jsou brambory, cukety, jablka a kaš-tany propíchněte.
- Spotřebič musí být umístěn tak, aby jeho zadní část směřovala ke stěně.
- Jsou-li dvířka nebo těsnění dvířek poškozené, trouba nesmí být používána, dokud nebude opravena kompetentní osobou.
- Než spotřebič vyjmete, zajistěte otočný talíř, abyste předešli jeho poškození.
- Mikrovlnnou troubu nepoužívejte k vaření nebo ohřívání vajíček, se skořápkou nebo bez ní.
- Nikdy nesnímejte části v zadní části a po stranách spotřebiče, které chrání minimální vzdálenosti mezi stěnami skříně a spotřebičem, abyste tak zajistili požadovanou cirkulaci vzduchu.

1.2 Zamýšlené použití

- Mikrovlnná trouba je určena pouze k vestavěnému použití.
- Spotřebič nepoužívejte k ničemu jinému než je zamýšlené použití.

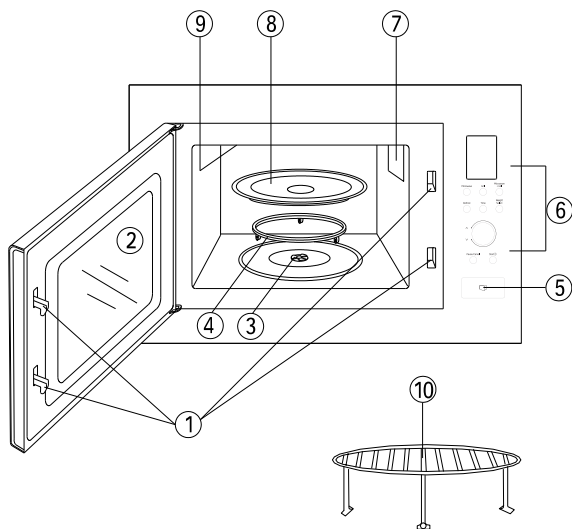
- Spotřebič nepoužívejte jako zdroj tepla.
- Mikrovlnná trouba je určena pouze k rozmrazování, vaření a dušení potravin.
- Potravinu nezakrývejte, v opačném případě můžete způsobit požár.
- K čištění spotřebiče nepoužívejte parní čističe.
- Troubu je třeba pravidelně čistit a odstranit jakékoli zbytky potravin.
- Nad horním povrchem trouby musí být minimálně 20 cm volného prostoru.
- Tento spotřebič mohou použít děti starší 8 let a lidé s omezenými fyzickými, sensorickými nebo duševními schopnostmi nebo které nemají dostatečné znalosti a zkušenosti, pokud na ně a bezpečné použití produktu dospělá osoba nebo jsou-li poučeni o rizicích souvisejících s použitím produktu. Děti si nesmí se spotřebičem hrát. Čištění a údržba nesmí být prováděny dětmi, pokud na ně nedohlíží starší osoby.
- Riziko zadušení! Všechny obaly uchovejte mimo dosah dětí.

1.3 Bezpečnost dětí

- Je třeba věnovat pozornost při použití v blízkosti dětí a osob se sníženými fyzickými, sensorickými nebo mentálními schopnostmi.
- Dětem dovolte používat troubu bez dozoru, pokud jste je odpovídajícím způsobem poučili, tudíž je dítě schopné používat mikrovlnnou troubu bezpečně a rozumí nebezpečím plynoucím z nesprávného použití.

2 Vaše mikrovlnná trouba

2.1 Přehled



1. Bezpečnostní systém zavírání dveří
2. Okno trouby
3. Hřídel otočného talíře
4. Vzpěra otočného talíře
5. Tlačítko otevření dvířek
6. Ovládací panel
7. Vodič vln (prosím, neodstraňujte slídový talíř, který zakrývá vodič vln)
8. Skleněný talíř
9. Ohřev grilu
10. Gril

2.2. Technické údaje

Spotřeba energie	230 - 240 V~50 Hz, 1400 W (mikrovlnná trouba), 1000 W (gril)
Výkon	900 W
Provozní kmitočet	2450 MHz
Externí rozměry	390 mm (V) X 595 mm (Š) X 365 mm (H)
Vnitřní rozměry trouby	220 mm (V) X 340 mm (Š) X 320 mm (H)
Kapacita trouby	23 litrů
Čistá hmotnost	14,1 kg

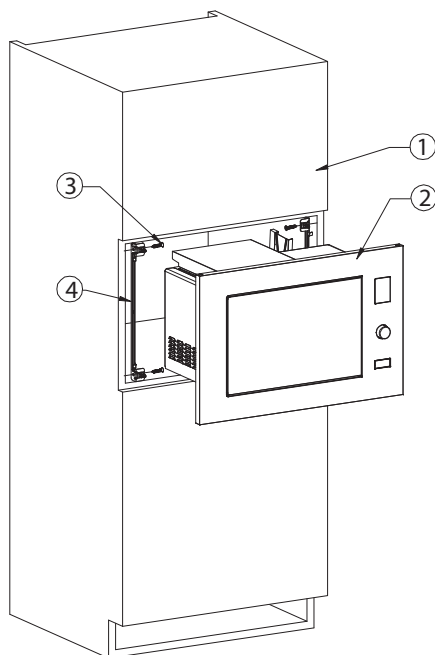
Značení na výrobku nebo hodnoty uvedené v jiných dokumentech dodávaných s výrobkem jsou hodnoty, které byly dosaženy v laboratorních podmínkách v souladu s příslušnými normami. Tyto hodnoty se mohou lišit podle použití výrobku a podmínek používání. Hodnoty napájení jsou testovány při 240 V.

3 Instalace

3.1. Instalace

- Instalaci má provést autorizovaný personál.
- Ujistěte se, že všechny obalové materiály byly zevnitř odstraněny.
- Tento spotřebič má být umístěn na ploše, která unese váhu trouby a nejtěžšího jídla, které může být v troubě připravováno.
- Neumísťujte spotřebič na místa, která jsou mokrá nebo mají vysokou vlhkost nebo do blízkosti hořlavých materiálů.
- Neprovozujte troubu bez umístění podpěry točny do správné polohy.
- Ujistěte se, že přívodový kabel není poškozen a neprochází pod spotřebičem nebo přes jakýkoli horký nebo ostrý povrch.
- Napájecí výstup má být umístěn do lehce přístupné polohy, aby bylo možné spotřebič v případě nutnosti jednoduše odpojit.
- Spotřebič nikdy nepoužívejte venku.

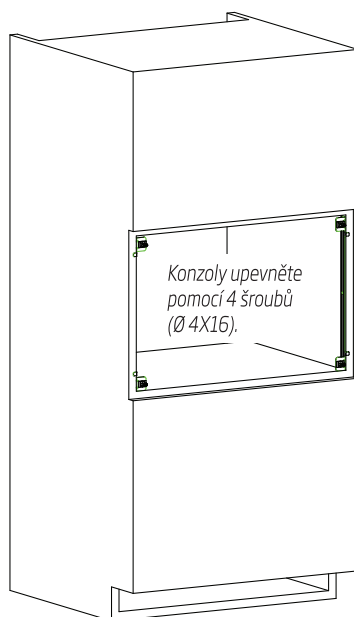
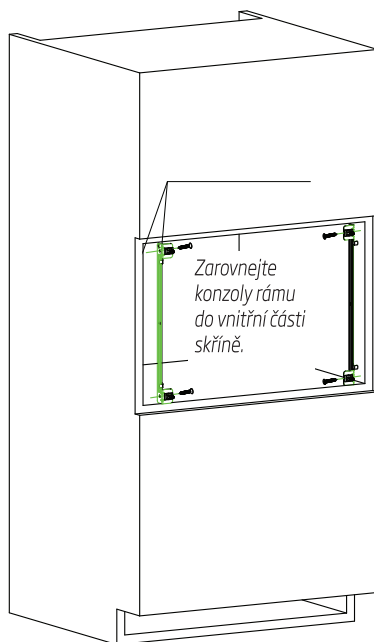
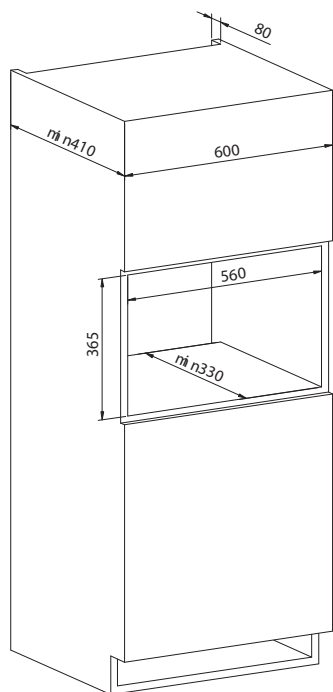
3.1.1 Instalační sada



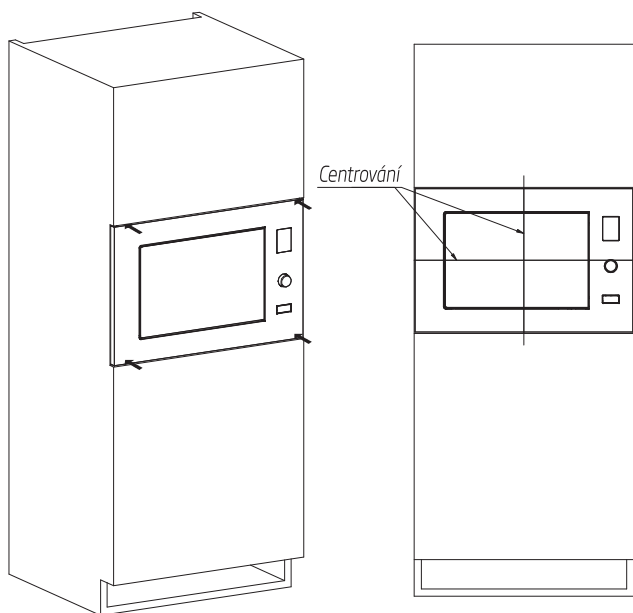
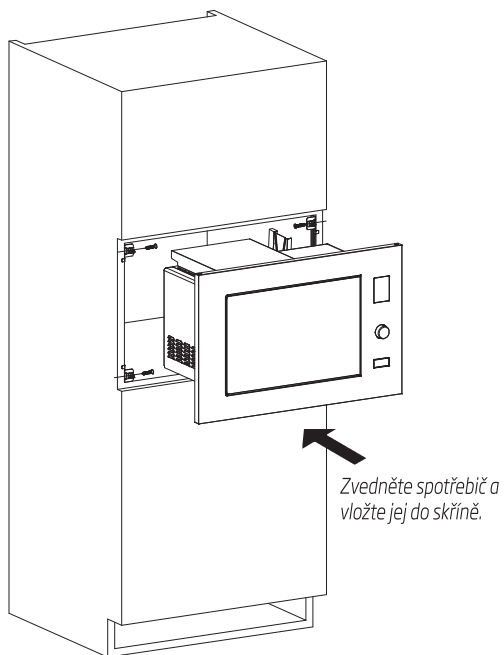
1. Skříň
2. Mikrovlnná trouba
3. Ø Šrouby 4x16 (4 ks.)
4. Připojovací konzola skříně

3 Instalace

3.1.2 Skříň mikrovlnné trouby



3 Instalace



Po umístění přístroje uvnitř skříně zatlačte na čtyři rohy rámu tak, aby byly úchytky na konzolích umístěných na rámu.

3 Instalace

3.2 Rádiové rušení

Provoz mikrovlnné trouby může rušit příjem radio-přijímačů, TV a podobných spotřebičů.

V případě rušení ho lze snížit nebo eliminovat, pokud provedete následující postupy:

- Vyčistěte dveře a těsnění trouby.
- Znovu nastavte směr antény rádia nebo TV.
- Podle umístění přijímače troubu přemístěte.
- Umístěte spotřebič pryč od přijímače.
- Mikrovlnnou troubu zapojte do jiné zástrčky, tak budou mikrovlnná trouba a přijímač na rozdílném vedení.

3.3 Zásady vaření v mikrovlnné troubě

- Pečlivě připravte potraviny. Umístěte hrubé části směrem k okraji nádobí.
- Dejte pozor na délku vaření. Vařte co nejkratší uvedenou dobu a v případě potřeby přidejte další čas. Převařeně jídlo může kouřit nebo se spálit.
- Během vaření jídlo zakryjte. Zakrytí jídla zabrání rozstříknutí a pomáhá zajistit rovnoměrné vaření jídla.
- Jídlo jako je drůbež nebo hamburger během vaření v mikrovlnné troubě jednou otočte, abyste vaření takového druhu jídla urychlili. Větší potraviny, např. pečeně, musí být otočeny minimálně jednou.
- Například masové kuličky během vaření otočte a přemístěte je na talíři, z vnitřní části na okraj.

3.4 Pokyny k uzemnění

Tento spotřebič musí být uzemněn. Tento spotřebič má zemnicí kabel s uzemněnou zástrčkou. Spotřebič musí být zapojen do zásuvky, která je řádně nainstalována a uzemněna.

Systém uzemnění umožní zapojení v případě zkratu a snižuje riziko úrazu elektrickým proudem. Doporučujeme používat elektrický okruh určený pro tento spotřebič. Provoz při vysokém napětí je nebezpečný a může způsobit požár nebo jiné nehody, které by mohly způsobit poškození spotřebiče.



VAROVÁNÍ! Špatné použití uzemňovací zástrčky může způsobit úraz elektrickým proudem.



Máte-li jakékoli dotazy týkající se uzemnění a pokynů ohledně elektrického zapojení, obraťte se na kvalifikovaného elektrikáře nebo zaměstnance servisu.



Výrobce a / nebo prodejce nepone- sou žádnou odpovědnost za zranění nebo škody na troubě, ke kterým mohlo dojít v důsledku nedodržení postupu elektrického zapojení.

Vodiče uvnitř napájecího kabelu jsou barevně označeny:

Zelená a žlutá = UZEMNĚNÍ

Modrá = NEUTRAL

Hnědá = FÁZE

3.5 Nádobí do mikrovlnné trouby

- Ideální materiály nádobí do mikrovlnné trouby jsou materiály, které vedou mikrovlny. Tyto materiály umožňují, aby se energie dostala přes nádobí a jídlo se zahřálo.
- Mikrovlny nemohou projít přes kovy, proto kovy a kovové zdobené nesmí být v troubě použity.

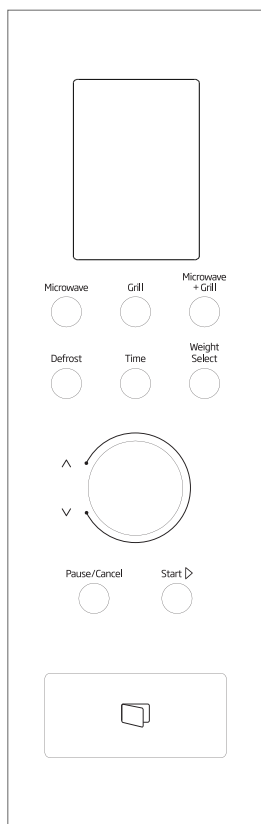
3 Instalace

- Nepoužívejte výrobky z recyklovaného papíru pro vaření v mikrovlnné troubě, protože mohou obsahovat malé kovové části a způsobit jiskření a / nebo požár.
- Doporučuje se používat kulaté nebo oválné nádoby místo čtvercového / obdélníkového, protože se jídlo na okrajích může přehřát.
- Můžete použít alobal za účelem ochrany vystavených částí před přehřátím. Ale buďte opatrní! Nepoužívejte příliš mnoho alobalu a zachovejte vzdálenost 2,5 cm (1 palec) mezi fólií a vnitřním povrchem spotřebiče.

Následující seznam je obecný průvodce, který vám pomůže s výběrem správného nádobí.

Nádobí na vaření	Mikrovlnná trouba	Gril	Kombinace
Tepelně odolné sklo	Ano	Ano	Ano
Sklo, které není tepelně odolné	Ne	Ne	Ne
Tepelně odolná keramika	Ano	Ano	Ano
Plastové nádobí vhodné do mikrovlnné trouby	Ano	Ne	Ne
Papírové nádobí	Ano	Ne	Ne
Kovový podnos	Ne	Ano	Ne
Kovový rošt	Ne	Ano	Ne
Alobal a alobalové nádobí	Ne	Ano	Ne

4.1 Ovládací panel



Obrazovka provozní nabídky

Mikrovlnná trouba

Párkrát stiskněte toto tlačítko pro nastavení úrovně vaření v mikrovlnné troubě.

Gril

Stiskněte toto tlačítko pro výběr programu grilování.

Mikrovlnná trouba + gril

Stiskněte toto tlačítko pro výběr jednoho z programů kombinovaného vaření.

Rozmrazování

Stiskněte toto tlačítko pro rozmrazení jídla podle jeho váhy.

Datum / Čas

Stiskněte toto tlačítko pro nastavení času.

Výběr hmotnosti

Stiskněte toto tlačítko pro výběr hmotnosti u programů, které vyžadují výběr hmotnosti.

Nastavovací knoflík

Otočte tímto knoflíkem pro nastavení času, doby vaření, menu nebo váhy.

Funkci automatického vaření vyberete otáčením nastavovacího knoflíku proti směru hodinových ručiček.

Stop / Zrušení

Stiskněte toto tlačítko pro zrušení nastavení nebo resetování trouby před nastavením programu vaření.

Stiskněte toto tlačítko jednou pro pozastavení vaření nebo dvakrát pro úplné ukončení.

Taktéž se používá pro nastavení dětského zámku.

Tlačítko Start

Stiskněte toto tlačítko pro spuštění programu vaření.

Pokud toto tlačítko stisknete několikrát, bude trouba pracovat na plný výkon. 30 sekund po každém stisk.

4.2 Nastavení kontrol ek trouby

Spotřebič při změnách vydává zvukové signály.

JEDNO PÍPNUTÍ: Trouba pokyn přijala.

DVĚ PÍPNUTÍ: Trouba pokyn odmítla. Zkontrolujte a zkuste to ještě jednou.

4.2.1 Nastavení digitálních hodin

Pokud chcete nastavit čas spotřebiče na 08:30:

- V pohotovostním režimu stiskněte a podržte tlačítko ČAS / HODINY po dobu 3 sekund. Na displeji se zobrazí "Hr 12". Chcete-li používat 24 hodinový formát času, stiskněte znovu tlačítko ČAS / HODINY.
- Otočte NASTAVOVACÍ knoflík a nastavte hodinovou část na 8.
- Stiskněte tlačítko „DOBA / ČAS“ jednou.

4 Provoz

- Otočte NASTAVOVACÍ knoflík a nastavte minutovou část na 8:30.
- Stiskněte „DOBA / ČAS“ jednou pro schválení nastavení.



Nastavení času si můžete zkontrolovat v průběhu vaření jedním zmáčknutím tlačítka DOBA / ČAS.

4.2.2 Vaření v mikrovlnné troubě

Nejdéší čas vaření v mikrovlnné troubě je 95 minut. Můžete nastavit úroveň výkonu opakovaným zmáčknutím tlačítka MIKROVLNNÁ TROUBA

- Například, pokud chcete vařit 5 minut na 60% výkonu:
- Stiskněte tlačítko STOP / ZRUŠIT.
- Opakovaně stiskněte tlačítko ÚROVEŇ VÝKONU pro zvolení úrovně výkonu.

Displej	Výkon vaření
P100	100 %
P80	80 %
P60	60 %
P40	40 %
P20	20 %
P00	00 %

- Otočte NASTAVOVACÍ knoflík, dokud se na obrazovce nezobrazí 5:00.
- Stiskněte tlačítko START.



Výkon vaření můžete zkontrolovat v průběhu vaření zmáčknutím tlačítka MIKROVLNNÁ TROUBA.



Trouba vydá zvukový signál, když je vaření / rozmrazování u konce a zpráva „Konec“ se zobrazí na obrazovce; obrazovku vymažete zmáčknutím tlačítka STOP / ZRUŠIT nebo otevřením dvířek před nastavením další funkce. (Může se použít pro následující funkce vaření.)

4.2.3 Rychlý start

Tato funkce se používá pro rychlé ovládání spotřebiče. Nejdéší čas vaření v mikrovlnné troubě je 10 minut.

Pro nastavení doby vaření v průběhu pohotovostního režimu stiskněte tlačítko START opakovaně a rychle; spotřebič ihned začne provoz při plném výkonu.

4.2.4 Rozmrazování podle hmotnosti

Spotřebič rozmrazuje jídlo v závislosti na váze, kterou uvedete. Po nastavení váhy se doba a výkon nastaví automaticky. Váha jídla je mezi 100 g a 1800 g.

Pokud chcete rozmrazit 600 g krevet:

- Umístěte krevety k rozmrazení do spotřebiče a zavřete dvířka.
- Stiskněte tlačítko STOP / ZRUŠIT.
- Jednou stiskněte tlačítko ROZMRAZOVÁNÍ.
- Opakovaně stiskněte tlačítko VÝBĚR HMOTNOSTI, dokud se nezobrazí 600 g.
- Stiskněte tlačítko START.



V průběhu procesu rozmrazování se systém pozastaví a vydá zvukový signál pro připomenutí otočení jídla; pro pokračování stiskněte tlačítko START.

4.2.5 Vaření v řadě (Víceúčelové vaření)

Na spotřebiči můžete nastavit 3 automatické řady vaření.

Předpokládáme, že chcete nastavit následující program vaření:

1 min. vaření na 60% výkonu a 2 min. vaření na 100% výkonu.

- Stiskněte tlačítko STOP / ZRUŠIT.
- Opakovaně stiskněte tlačítko MIKROVLNNÁ TROUBA dokud se nezobrazí na obrazovce kód P60.

4 Provoz

- Otočte NASTAVOVACÍ knoflík, dokud se na obrazovce nezobrazí 1 min.
- Opakovaně stiskněte tlačítko MIKROVLNNÁ TROUBA dokud se nezobrazí na obrazovce kód P100.
- Otočte NASTAVOVACÍ knoflík, dokud se na obrazovce nezobrazí 2 min.
- Stiskněte tlačítko START.



Rychlý Start, Menu a Rozmrazování dle hmotnosti nemůžou být nastaveny v režimu vaření ve více krocích. Příslušná světla se rozsvítí a ukazují provozní úroveň trouby.

4.2.6 Automatické vaření

Pro pokrmy a následující režim vaření není potřeba nastavovat trvání ani výkon. Stačí pouze napsat typ jídla a váhu tohoto jídla. Uprostřed doby vaření budete muset otočit jídlo, aby se dosáhlo rovnoměrného uvaření.

Příklad: Vaření 400 g ryby

- Stiskněte tlačítko STOP / ZRUŠIT.
- Otočte NASTAVOVACÍ knoflík proti směru hodinových ručiček pro výběr kódu jídla. Zvolený symbol na obrazovce se rozsvítí.
- Opakovaně stiskněte tlačítko VÝBĚR HMOTNOSTI, dokud se nezobrazí 400 g.
- Stiskněte tlačítko START.

Nabídka automatického vaření

Kód	Režim jídlo / vaření	Pro mléko / kávu a brambory by měl být uveden počet porcí, nikoliv váha jídla.
A-1	Popcorn	Pro popcorn existuje pouze jedna volba.
A-2	Mléko / Káva (200 ml / šálek)	Výsledek automatického vaření závisí na faktorech jako je kolísání napětí, tvar nebo velikost jídla, vašeho vlastního výběru úrovně vaření konkrétních jídel a také jak je jídlo umístěno v spotřebiči. Pokud jste neměli uspokojivý výsledek, pak nastavte čas vaření, aby více vyhovoval vašim preferencím.
A-3	Zelenina	
A-4	Brambory (230 g / kus)	
A-5	Pizza	
A-6	Automatický opěťový ohřev (g)	
A-7	Grilované kuře	
A-8	Grilovaný steak	



Pro volby Grilované kuře and Grilovaný steak program vydá signál a pak se pozastaví, aby vám připomněl, že jídlo musí být otočeno. Po otočení jídla můžete stisknutím tlačítka START nechat program pokračovat.

4.2.7 Gril

Nejdelsí čas vaření v mikrovlnné troubě pro grilování je 95 minut.

- Například, předpokládejme, že chcete vařit 5 minut v režimu grilování.
- Stiskněte tlačítko STOP / ZRUŠIT.
- Zvolte režim grilování jedním stisknutím tlačítka Gril.
- Otočte NASTAVOVACÍ knoflík, dokud se na obrazovce nezobrazí 5:00.
- Stiskněte tlačítko START.



V režimu Gril / Kombinace by se měl program pozastavit a jídlo by se mělo v průběhu vaření otočit, aby se rovnoměrně uvařilo.

4.2.8 Kombinace

Nejdelší čas vaření v mikrovlnné troubě pro kombinované vaření je 95 minut.

- Například, předpokládejme, že chcete vařit 12 minut v režimu kombinovaného vaření.
- Stiskněte tlačítko STOP / ZRUŠIT.
- Tlačítko Mikrovlnná trouba+gril stiskněte 2x nebo 3x pro zvolení jednoho z kombinovaných režimů podle tabulky níže.
- Otočte NASTAVOVACÍ knoflík, dokud se na obrazovce nezobrazí 12:00.
- Stiskněte tlačítko START.

Počet stisků pro tlačítko Mikrovlnná trouba+ gril	Kombinace	Doba vaření	
		Mikrovlnná trouba	Gril
2X	Co-1	30 %	70 %
3X	Co-2	55 %	45 %

4.2.9 Dětská pojistka

Tuto funkci použijte pro zamezení provozování spotřebiče nehlídanými dětmi. Zobrazuje se symbol dětského zámku a spotřebič nemůže být v provozu, když je nastaven dětský zámek.

Nastavit: Když je trouba v pohotovostním režimu, stiskněte a podržte tlačítko STOP / ZRUŠIT po dobu 3 vteřin; ozve se pípnutí a rozsvítí se symbol zámku. V režimu uzamčení jsou všechna tlačítka deaktivována.

Zrušit: Stiskněte a podržte tlačítko STOP / ZRUŠIT po dobu 3 vteřin, dokud nezmizí symbol zámku.

5 Čištění a údržba

5.1 Čištění



VAROVÁNÍ! K čištění spotřebiče nikdy nepoužívejte benzín, rozpouštědlo, abrazivní čisticí prostředek, kovové objekty nebo tvrdé kartáče.



VAROVÁNÍ! Spotřebič nebo jeho napájecí kabel nikdy neponořujte do vody či jiné kapaliny.

1. Vypněte spotřebič a odpojte napájecí kabel ze zásuvky.
2. Počkejte, než spotřebič zcela vychladne.
3. Vnitřní část trouby udržujte čistou. V případě, že na stěnách trouby zůstaly zbytky jídla nebo rozlité kapaliny, otřete je navlhčeným hadříkem. Pokud se trouba hodně znečistí, lze použít jemný čisticí prostředek. Vyhněte se použití sprejů a dalších čisticích látek, neboť mohou zanechat skvrny, značky a poničit povrch dveří.
4. Vnější povrchy trouby musí být vyčištěny navlhčeným hadříkem. Nedovolte, aby se voda dostala do větracích otvorů, abyste tak předešli poškození provozních částí v troubě.
5. Obě strany dveří a sklo, těsnění dveří a části v blízkosti těsnění často otírejte navlhčeným hadříkem, abyste odstranili skvrny způsobené rozstříknutím. Nepoužívejte abrazivní čisticí přípravky.
6. Nedovolte, aby ovládací panel zvlhnul. Vyčistěte měkkým navlhčeným hadříkem. Dveře trouby nechte otevřené, abyste během čištění ovládacího panelu předešli nežádoucímu spuštění.
7. Pokud se uvnitř trouby nebo v jejím okolí nahromadí pára, setřete ji měkkým hadříkem. K tomu může dojít, je-li mikrovlnná trouba provozována ve vysoce vlhkých podmínkách. To je normální.
8. V některých případech musíte při čištění vyjmout skleněný talíř. Skleněný talíř omyjte v teplé vodě nebo v myčce.

9. Válec a troubu je třeba čistit pravidelně, aby se předešlo nadměrné hlučnosti. Spodní část trouby stačí otřít hadříkem s jemným čisticím přípravkem. Kroužek lze umýt v teplé vodě nebo v myčce. Když kroužek vyjmete ze spodní části, při jeho vracení zkontrolujte, že jste ho nainstalovali správným směrem.
10. Abyste odstranili špatný zápach z trouby, vložte do mikrovlnné trouby misku s vodou a citrónovou šťávou a kůrou a troubu spusťte na 5 minut v mikrovlnném režimu. Důkladně otřete a vysušte měkkým hadříkem.
11. V případě, že je třeba provést výměnu žárovky v troubě, kontaktujte autorizovaný servis, prosím.
12. Trouba musí být pravidelně čištěna a jakékoli zbytky potravin musí být odstraněny. Neměli trouba udržována čistá, může to způsobit povrchové defekty, které by mohly negativně ovlivnit životnost spotřebiče, což by mohlo způsobit nebezpečí.
13. Tento spotřebič nelikvidujte společně s domácím odpadem; staré trouby musí být zlikvidovány ve speciálních centrech provozovaných městskými úřady.
14. Když se používá funkce grilu, může se objevit malé množství kouře a zápachu, což po určité době používání zmizí.

5.2 Skladování

- Pokud nechcete spotřebič delší dobu používat, důkladně jej uskladněte.
- Zkontrolujte, zda je spotřebič odpojený, vychladlý a zcela suchý.
- Spotřebič skladujte na suchém, chladném místě.
- Spotřebič skladujte mimo dosah dětí.

5.3 Manipulace a přeprava

- Během manipulace a přepravy přenášejte spotřebič v originálním obalu.
- Obal chrání spotřebič před fyzickým poškozením.
- Na spotřebič ani na obal nestavte žádné těžké předměty. Spotřebič by se mohl poškodit.



ZÁKAZNICKÉ CENTRUM BEKO

BEKO Spolka Akcyjna, org. sl. Lužná 716/2, 160 00 Praha 6 – Vokovice

7 dní v týdnu od 8:00 do 18:00

pomůže vyřešit záruční, případně pozáruční opravy výrobků BEKO

kontakt	220 105 371 800 350 333
e-mail	zakaznickecentrum@bekosa.cz
Objednávka opravy spotřebiče online	www.bekocr.cz
5 LET ZÁRUKY – podmínky a registrace online	www.bekocr.cz

ZÁRUČNÍ PODMÍNKY ČR

- a) Platný a čitelný prodejní doklad, který obsahuje datum prodeje, model spotřebiče a označení prodejce opravňuje uživatele využít záruku na výrobek v souladu s ustanoveními Občanského zákoníku, v platném znění.
- b) Není-li stanoveno jinak, je záruční doba na výrobek 24 měsíců. Začíná plynout ode dne převzetí věci kupujícím vyjma případu, kdy je nutné uvedení do provozu oprávněnou firmou. V tom případě začne záruční doba plynout ode dne uvedení výrobku do provozu.

Výrobky vyžadující odborné zapojení: plynové a kombinované sporáky a varné desky, dále všechny spotřebiče, které nejsou vybaveny přírodním elektrickým kabelem zakončeným vidlicí. Zapojení spotřebiče je službou hrazenou zákazníkem. Potvrzení je nutné uschovat. Dovozce nezodpovídá za poškození vzniklé chybou instalací a chybným zapojením výrobku.

c) Záruka vyplývající z těchto záručních podmínek může být uplatněna pouze na území České republiky a týká se pouze a výhradně spotřebičů dovezených do ČR prostřednictvím naší společnosti, BEKO Spolka Akcyjna, org. sl. Lužná 716/2, 160 00 Praha 6 – Vokovice, která je oficiálním zastoupením značky BEKO pro Českou republiku.

d) Záruka je poskytována kupujícímu (konečnému spotřebiteli) v souladu se zákonem č. 634/1992 Sb., o ochraně spotřebitele v platném znění, na výrobek sloužící běžnému používání v domácnosti. Výrobek není určen k průmyslovému použití a poskytování služeb. Spotřebiče, které nejsou používány v domácnosti, nejsou předmětem záruky (hotelová a restaurační zařízení, školská zařízení, úklidové firmy, atd...)

e) Práva ze zodpovědnosti za vady výrobku se uplatňují u prodávajícího. Záruční oprava se vztahuje výhradně na závady, které vzniknou v době platnosti záruční lhůty a to výrobní vadou. Takto vzniklé závady je oprávněn odstranit pouze autorizovaný servis.

f) O odstranění vad výrobku v záruční lhůtě je kupující oprávněn požádat prodejce nebo **Zákaznické centrum BEKO** tel: 220 105 371 (800 350 333) <http://www.bekocr.cz/oprava-spotrebiце>.

g) Při návštěvě servisního technika kupující prokáže existenci záruky předložením čitelného prodejního dokladu nebo certifikátu 5 let záruky BEKO. Po provedení záruční opravy jsou autorizovaná servisní střediska nebo prodávající povinni vydat kupujícímu čitelnou kopii opravného listu nebo doklad o uplatnění práva záruky a době trvání opravy. Po dobu záruky je kupující povinen uschovat veškeré doklady související s koupí a servisem výrobku.

h) Opravní list slouží k prokazování práva kupujícího, proto je ve vlastním zájmu kupujícího si zkontrolovat před podpisem veškeré údaje. Záruční lhůta se v případech, kdy závada znemožnila používání výrobku, prodlužuje o dobu, kdy kupující uplatnil nárok na záruční opravu u autorizovaného střediska až do dne převzetí opraveného výrobku.

i) Výrobek musí být instalován a provozován podle návodu k obsluze a platných norem. Funkce chladniček, mrazniček a jiných kombinací je zaručena při okolní teplotě od +10°C do +32°C.

j) Touto zárukou nejsou dotčena práva kupujícího, která se ke koupi věci vztahují podle zvláštních právních předpisů.

k) Společnost BEKO Spolka Akcyjna, org. sl. Lužná 716/2, 160 00 Praha 6 – Vokovice nabízí spotřebitelům na vybrané modely prodlouženou záruku v celkové délce trvání 5 let. Předmětem této nadstandardní záruky je bezplatné odstraňování výrobních vad po dobu následujících 36 měsíců od skončení zákonné dvouleté záruční lhůty.

- l) Podmínkou získání certifikátu prodloužené záruky je splnění veškerých podmínek uvedených na www.bekocr.cz.
- m) O odstranění vad výrobku v prodloužené záruční lhůtě je kupující oprávněný požádat Zákaznické centrum BEKO tel: 220 105 371 (800 350 333) <http://www.bekocr.cz/oprava-spotrebice> .
- n) Při opravě v rámci prodloužené záruky je uživatel povinen autorizovanému servisu předložit platný certifikát prodloužené záruky a prodejní doklad.
- o) V době trvání prodloužené záruky bude oprávněná reklamacie řešena opravou nebo dodáním náhradního dílu. V případě neodstranitelné vady zajistí dovozce přímo u zákazníka výměnu výrobku za nový. Nárok na výměnu uplatňuje zákazník po zaslání všech potřebných dokladů /platný certifikát, doklad o zakoupení, vyjádření servisního technika/ na e-mail: reklamace@bekosa.cz nebo poštou na adresu BEKO Spolka Akcyjna, org. sl. Lužná 716/2, 160 00 Praha 6 – Vokovice. Spotřebitel nemá právo v průběhu prodloužené záruky na vrácení kupní částky. Uplatnění práva na bezplatné odstraňování výrobních vad podléhá zde uvedeným všeobecným záručním podmínkám.

Právo na uplatnění záruky zaniká pokud:

- není výrobek používán v souladu s návodem
- došlo k mechanickému poškození výrobku cizím zaviněním, při nesprávné údržbě nebo jiným zanedbáním péče o výrobek
- byl na výrobku proveden neodborný zásah neoprávněnou osobou
- plynové spotřebiče nebo spotřebiče s napájením 400V nebyly uvedeny do provozu odbornou firmou
- došlo k mechanickému poškození při přepravě
- je vada způsobená vnějšími podmínkami, jako jsou např. poruchy v elektrické síti nebo vadná bytová instalace, nevhodnými provozními podmínkami, poškození živlem
- je výrobek vadný z důvodu použití neoriginálního příslušenství a náhradních dílů
- kuchyňská linka, do které je výrobek zabudovaný, nesplňuje technické parametry
- záruka se dále nevztahuje na preventivní údržbu popsanou v návodu k obsluze, popřípadě závady způsobené nevhodnou manipulací, na opotřebení vzniklé běžným používáním, mechanické poškození skleněných a plastových komponentů
- záruka se dále nevztahuje na návštěvu technika za účelem poradenství, preventivní kontrolu stavu spotřebiče, výměnu náhradního dílu, který nevyžaduje odborný zásah, změna směru otírání dveří chladniček




Pirmiausia perskaitykite šią naudojimo instrukciją!

Gerb. Pirkėjų,

Ačiū, kad pasirinkote „Beko“ gaminį. Tikimės, kad šiuo gaminiu, kuris buvo pagamintas naudojant aukščiausios kokybės moderniausių technologijų, liksite patenkinti. Prieš pradėdami naudoti šį prietaisą, perskaitykite visą šią naudojimo instrukciją bei prie jos pridedamus dokumentus ir juos pasilikite, jei prireiktų ateityje. Jeigu atiduotumėte šį gaminį kam nors kitam, kartu atiduokite ir šią naudojimo instrukciją. Vadovaukitės visais šiose naudojimo instrukcijose pateikiamais įspėjimais ir informacija.

Simbolių reikšmės

Įvairiuose šių naudojimo instrukcijų skyriuose naudojami šie simboliai:

	Svarbi informacija ir naudingi patarimai, kaip naudoti prietaisą.
	Įspėjimai apie pavojingas situacijas, keliančias pavojų gyvybei ir gadinančias turtą.
	Įspėjimas dėl įkaitusių paviršių.



Šis prietaisas pagamintas moderniose ekologiškose gamyklose, nedarant žalos gamtai.

Šis buitinis prietaisas atitinka reglamentus dėl elektros ir elektroninės įrangos atliekų (EEIJA).



Sudėtyje nėra PCB.

Šiame skyriuje pateikiama saugos informacija, kuri padės išvengti gaisro, elektros smūgio, mikrobangų krosnelės spinduliuojamos energijos poveikio pavojaus, susižeidimų ar materialinės žalos. Jeigu nesivadovausite šiais nurodymais, suteikta garantija nebegalios.

1.1 Bendrieji saugos reikalavimai

- Nemėginkite įjungti krosnelės, kai jos durelės yra atidarytos, nes jos gali paveikti mikrobangų krosnelės spinduliuojama energija. Neišjunkite ir nemodifikuokite saugos užraktų.
- Nepalikite jokių objektų tarp krosnelės priekinės dalies ir durelių. Pasirūpinkite, kad ant krosnelės vidaus paviršių nesikauptų nešvarumai arba valymo priemonių likučiai.
- Bet kokius remonto darbus, kurių metu reikia nuimti dangtį, apsaugantį nuo mikrobangų krosnelės spinduliuojamos energijos, turi atlikti įgaliotieji asmenys (tarnybos). Bet koks kitoks taisymas yra pavojingas.
- Jūsų gaminys yra skirtas gaminti, pašildyti ar atšildyti maistą namuose.

Jo negalima naudoti komerciniams tikslams. Gamintojas nėra atsakingas už nuostolius, patirtus netinkamai naudojant gaminį.

- Nenaudokite šio prietaiso lauke, vonioje, drėgnose patalpose ar vietose, kur gali pasidaryti šlapia.
- Gamintojas neprisiima atsakomybės, ir garantinės pretenzijos dėl patirtos žalos negalioja, jei prietaisas buvo naudojamas ar prižiūrimas netinkamai.
- Niekada nebandykite ardyti prietaiso patys. Garantinės pretenzijos dėl patirtos žalos negalioja, jeigu prietaisas naudojamas netinkamai.
- Naudokite tik originalias arba gamintojo rekomenduojamas dalis.
- Nepalikite naudojamo prietaiso be priežiūros.
- Prietaisą visada statykite ant tvirto, lygaus, švaraus, sauso ir neslidaus paviršiaus.
- Nenaudokite šio prietaiso su išoriniu laikmačiu arba atskira nuotolinio valdymo sistema.
- Prieš naudodami prietaisą pirmą kartą, nuvalykite visas dalis. Žr. skyrių „Valymas ir priežiūra“.

- Prietaisą naudokite tik pagal paskirtį, aprašytą šiose naudojimo instrukcijose. Nenaudokite šveičiamųjų chemikalų ar garų šiam prietaisui valyti. Ši krosnelė yra skirta tik maistui šildyti ir gaminti. Ji nėra skirta naudoti pramoniniais tikslais ar laboratorijose.
- Šio prietaiso nenaudokite rūbams ar virtuvės rankšluosčiams džiovinti.
- Veikdamas prietaisas labai įkaista. Būkite atidūs ir nelieskite įkaitusių krosnelės dalių, esančių jos viduje.
- Jūsų krosnelė nėra skirta jokiai gyvai būtybei džiovinti.
- Nejunkite krosnelės, kai ji tuščia.
- Virtuvės reikmenys gali labai įkaisti dėl karščio perduodamo iš šildomo maisto į virtuvės reikmenis. Norint paimti virtuvės reikmenis į rankas, gali prireikti pirštinių.
- Prieš naudodami virtuvės reikmenis mikrobangų krosnelėje, patikrinkite, ar jie tam tinkami.
- Nedėkite krosnelės ant viryklės ar kitų karštį generuojančių prietaisų. Priešingu atveju galite ją sugadinti, ir garantija nebegalios.
- Mikrobangų krosnelę reikia pastatyti spintelėje, kuri atitinka įrengimo instrukcijose aprašomus reikalavimus.
- Atidengiant dangčiu arba folija uždengtą pagamintą maistą gali kilti garų.
- Apsimaukite pirštines prieš imdami iš krosnelės bet kokį gamintą maistą.
- Kai prietaisas veikia, jis ir jo paviršiai gali būti labai karšti.
- Naudojant prietaisą, durelės ir išorinis stiklas gali būti labai karšti.

1.1.1 Elektros sauga

- „Beko“ mikrobangų krosnelė atitinka galiojančius saugos standartus, todėl, jeigu prietaisas arba jo maitinimo laidas būtų pažeistas, jį privalo paleisti platintojas, aptarnavimo centras ar specialistas arba bet kuris kitas įgaliotasis atstovas, kad būtų išvengta bet kokių pavojų. Klaidingi arba netinkami remonto darbai gali kelti pavojų ir riziką vartotojui.
- Pasirūpinkite, kad jūsų elektros tinklo duomenys atitiktų prietaiso kategorijos plokštelėje nurodytus duomenis.

Vienintelis būdas atjungti prietaisą nuo elektros tinklo yra ištraukti elektros lizdo maitinimo kabelio kištuką.

- Prietaisąjunkite tik prie įžeminto elektros lizdo.
- Niekada nenaudokite prietaiso, jeigu šis yra sugadintas arba pažeistas jo maitinimo laidas.
- Naudodami šį prietaisą, nenaudokite ilginimo laido.
- Niekada nelieskite prietaiso ar jo elektros kištuko drėgnomis arba šlapiomis rankomis.
- Prietaisą pastatykite taip, kad elektros kištukas visada būtų pasiekiamas.
- Saugokite maitinimo laidą, kad jis nebūtų suspaustas, užlenktas arba trinamas į aštrius kraštus. Saugokite maitinimo kabelį nuo įkaitusių paviršių ir atviros ugnies.
- Įsitikinkite, ar nėra pavojaus netyčia patraukti už veikiančio prietaiso maitinimo laiko arba ar kas nors už jo neužklius ir nenugrius.
- Jeigu prietaiso nenaudojate arba prieš jį valydami, atjunkite jį nuo elektros tinklo.
- Norėdami išjungti prietaiso elektros maitinimą, netraukite už prietaiso laido. Taip pat niekada nevyniokite maitinimo laido aplink prietaisą.
- Nemerkite prietaiso, jo maitinimo laido ir elektros kištuko vandenį ar kokį nors kitą skystį. Nelaikykite jo po tekančiu vandeniu.
- Šildydami maistą plastikiniuose ar popieriniuose induose, dažnai tikrinkite krosnelę. Tokie indai gali užsidegti.
- Prieš dėdami į mikrobangų krosnelę popierinius ar plastikinius maišelius, tinkamus joje naudoti, nuimkite nuo jų vielinius raištelius ir (arba) metalines rankenėles.
- Pastebėję dūmus, išjunkite prietaisą arba ištraukite kištuką iš lizdo ir laikykite dureles uždarytas, kad nekiltų gaisras.
- Nenaudokite krosnelės kam nors laikyti. Kai krosnelės nenaudojate, nepalikite joje popierinių gaminių, virtuvės reikmenų ar maisto.
- Kad išvengtumėte nudegimų, prieš vartojimą visada pamaišykite arba suplakite kūdikių buteliukų turinį ir maistą bei patikrinkite jų temperatūrą.

- Šis prietaisas yra 2 grupės B klasės ISM įrenginys. 2 grupė apima visus ISM (angl. Industrial, Scientific, Medical - pramonės, mokslo ir medicinos) įrenginius, generuojančius radijo bangų energiją ir (arba) naudojančius jų elektromagnetinės radiacijos pavidalu medžiagoms apdoroti, ir kibirkštinės erozijos įrenginius.
- B klasės įranga yra skirta gyvenamiesiems namams ir namams, tiesiogiai prijungtiems prie žemos įtampos elektros tinklo.
- Kai prietaisas naudojamas, jo durelės ar išorinis paviršius gali tapti labai karšti.
- Daržoves su stora žieve, pavyzdžiui, bulves, cukinijas, obuolius ir kaštainius, pradurkite.
- Prietaisas turi būti statomas taip, kad jo galinė dalis būtų atsukta į sieną.
- Pažeidus dureles ar durelių tarpiklius, krosnele negalima naudotis, kol ją pataisys kvalifikuotas specialistas.
- Prieš pernešdami prietaisą, apsaugokite diską, kad jo nesugadintumėte.
- Nenaudokite mikrobangų krosnelės neplaktiems kiaušiniams virti ar šildyti – tiek su lukštu, tiek be jo.

1.1.2 Gaminio sauga

- Skysčių ar kitokio maisto nešildykite uždaruose induose, nes indas gali sprogti.
- Mikrobangų krosnelėje šildomi gėrimai gali užvirti ir taškytis išimami iš krosnelės. Būkite atsargūs imdami indus į rankas.
- Krosnelėje nieko neskrudinkite. Karštas aliejus gali sugadinti krosnelės detales bei medžiagas ir netgi nudeginti odą.

1.2 Naudojimas pagal paskirtį

- Mikrobangų krosnelė yra skirta naudoti tik ją integravus.
- Naudokite šį prietaisą tik pagal jo numatytąją paskirtį.
- Nenaudokite prietaiso kaip šilumos šaltinio.

- Mikrobangų krosnelė skirta tik maistui atšildyti, gaminti ir pašildyti.
- Nepervirkite (neperkepkitė) maisto, nes gali kilti gaisro pavojus.
- Nevalykite prietaiso garų pagrindu veikiančiomis valymo priemonėmis.
- Krosnelė turi būti reguliariai valoma ir visi maisto likučiai turi būti pašalinami.
- Virš krosnelės viršutinio paviršiaus turi būti palikta mažiausiai 20 cm erdvė.

1.3 Vaikų sauga

- Patariama būti itin atsargiems, naudojant prietaisą šalia vaikų ir žmonių, turinčių fizinių, jutimo arba psichinių negalių.
- Vaikai nuo 8 metų ir asmenys, turintys ribotas psichines, jautines ar protines galimybes arba neturintys patirties bei žinių, šiuo prietaisu gali naudotis su sąlyga, jeigu juos prižiūri arba paaiškina, kaip saugiai naudoti šį gaminį, arba jie supranta galimus su gaminio naudojimu susijusius pavojus. Vaikams negalima žaisti su šiuo prietaisu.

- Vaikai neturėtų valyti ir tvarkyti mikrobangų krosnelės, nebent juos prižiūri suaugusieji.
- Pavojus uždusti! Visas pakuotės dalis laikykite vaikams nepasiekiamoje vietoje.
- Neleiskite vaikams naudotis krosnele be priežiūros, prieš išsamiai neaptarę krosnelės naudojimo instrukcijų ir neįsitikinę, kad vaikas gali mikrobangų krosnele naudotis saugiai ir supranta netinkamo naudojimo pavojus.
- Dėl didelio karščio, kuris generuojamas įjungus grilio ir kombinacijos režimus, vaikams reikėtų neleisti naudoti šių režimų, jei jų neprižiūri suaugusysis.
- Gaminį ir jo maitinimo laidą laikykite vaikams iki 8 metų nepasiekiamoje vietoje.
- Kai prietaisas veikia, jis ir jo paviršiai gali būti labai karšti. Neleiskite vaikų prie prietaiso.

1.4 Atitiktis EEJA direktyvai ir atitarnavusio gaminio sutvarkymas:

Šis gaminys atitinka ES EEJA direktyvą (2012/19/ES). Šis gaminys žymimas elektros ir elektroninės įrangos atliekų (EEJA) simboliu.



Šis gaminys pagamintas iš aukštos kokybės medžiagų ir dalių, kurias galima perdirbti ir pakartotinai panaudoti. Atitarnavusio gaminio neišmeskite kartu su įprastinėmis buitinėmis atlie-

komis. Atiduokite jį į surinkimo punktą, kad elektros ir elektroninė įranga būtų perdirbta. Artimiausio surinkimo punkto adresą sužinosite vietos savivaldybėje.

1.5 Atitiktis RoHS direktyvai

Jūsų įsigytas gaminys atitinka ES RoHS direktyvą (2011/65/ES). Jame nėra direktyvoje nurodytų kenksmingų ar draudžiamų medžiagų.

1.6 Informacija apie pakuotę

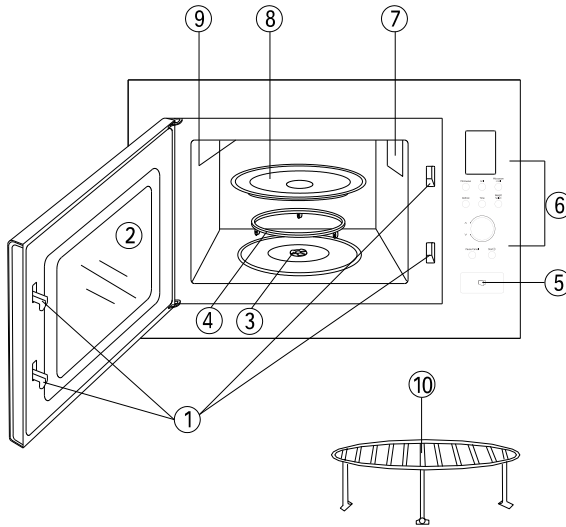


Šio gaminio pakavimo medžiagos pagamintos iš pakartotinai panaudojamų medžiagų, atsižvelgiant į mūsų nacionalinius aplinkosaugos reglamentus.

Neišmeskite pakavimo medžiagų kartu su buitinėmis arba kitomis atliekomis. Jas atiduokite į vietinių valdžios institucijų nurodytus pakavimo medžiagų surinkimo punktus.

2 Jūsų mikrobangų krosnelė

2.1 Apžvalga



1. Durelių saugos užraktas sistema
2. Krosnelės langelis
3. Disko ašis
4. Disko atrama
5. Durelių atidarymo raktas
6. Valdymo skydelis
7. Bangų apsauga (prašome nenuimti žėručio plokštelės, dengiančios bangų apsaugą)
8. Stiklinis padėklas
9. Grilio šildytuvas
10. Grilis

2.2. Techniniai duomenys

Energijos sąnaudos	230-240 V~50 Hz, 1400 W (mikrobangų krosnelė) 1000 W (Grilis)
Galia	900 W
Veikimo dažnis	2 450 MHz
Išoriniai matmenys	390 mm (A) X 595 mm (P) X 365 (G)
Vidiniai krosnelės matmenys	220 (A) X 340 mm (P) X 320 mm (G)
Krosnelės talpa	23 litrai
Grynasis svoris	14,1 kg

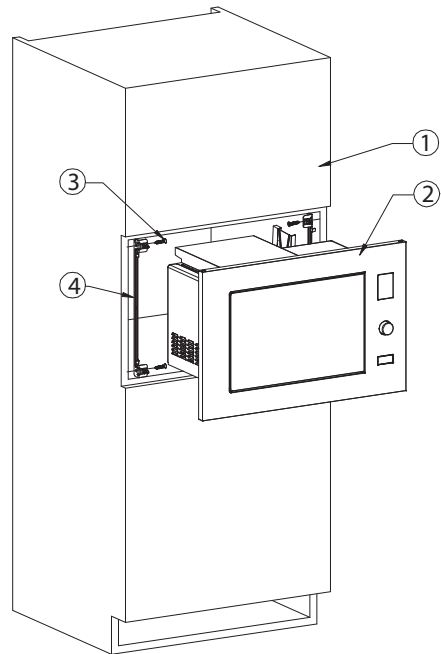
Ant prietaiso esantys ženklai ar kituose, su gaminiu pateiktuose dokumentuose esančios reikšmės - tai reikšmės, gautos laboratorinėmis sąlygomis, remiantis atitinkamais standartais. Šios reikšmės gali skirtis, atsižvelgiant į prietaiso naudojimo ir aplinkos sąlygas. Energijos reikšmės išbandytos esant 240 V.

3 Montavimas

3.1. Montavimas

- Montavimą turėtų atlikti įgalios paslaugų personalas
- Įsitikinkite, kad yra pašalintos visos pakavimo medžiagos, esančios durelių viduje.
- Šis prietaisas turėtų būti pastatytas ant lygaus paviršiaus, galinčio išlaikyti krosnelės ir sunkiausio leidžiamo gaminti krosnelėje maisto svorį.
- Nestatykite prietaiso drėgnose vietose ar vietose, kuriose yra aukštas drėgmės lygis, ar arti degių medžiagų.
- Prieš naudodami krosnelę, padėkite disko atramą į teisingą padėtį.
- Įsitikinkite, kad elektros kabelis nėra pažeistas, neeina po prietaisu ar per karštus ar aštrius paviršius.
- Kištukinis lizdas turėtų būti lengvai pasiekiamoje vietoje, kad nelaimės atveju prietaisą galėtumėte lengvai atjungti.
- Prietaiso nenaudokite atvirame ore.

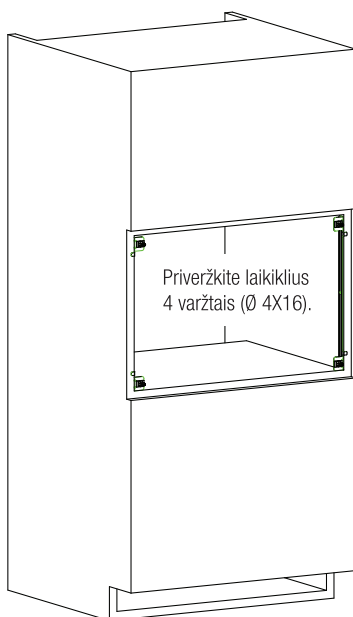
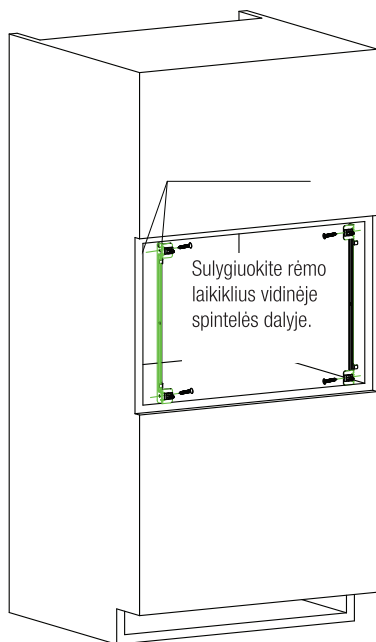
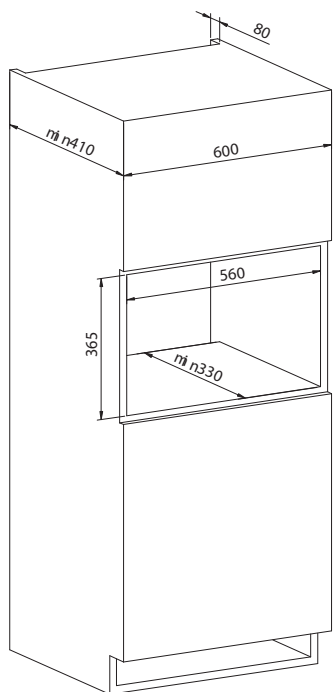
3.1.1 Montavimo reikmenys



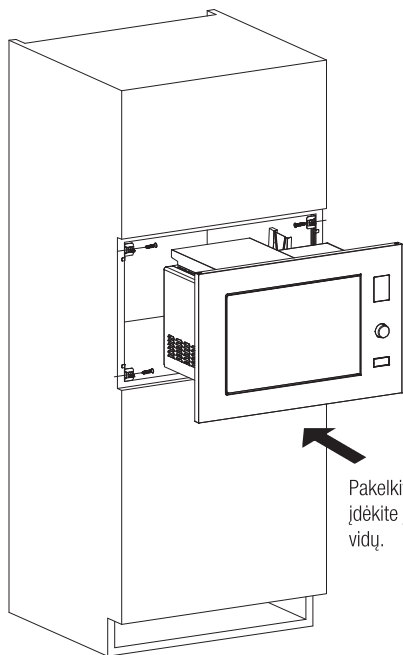
1. Spintelė
2. Mikrobangų krosnelė
3. Ø 4x16 Varžtai (4 vnt.)
4. Spintelės laikiklis

3 Montavimas

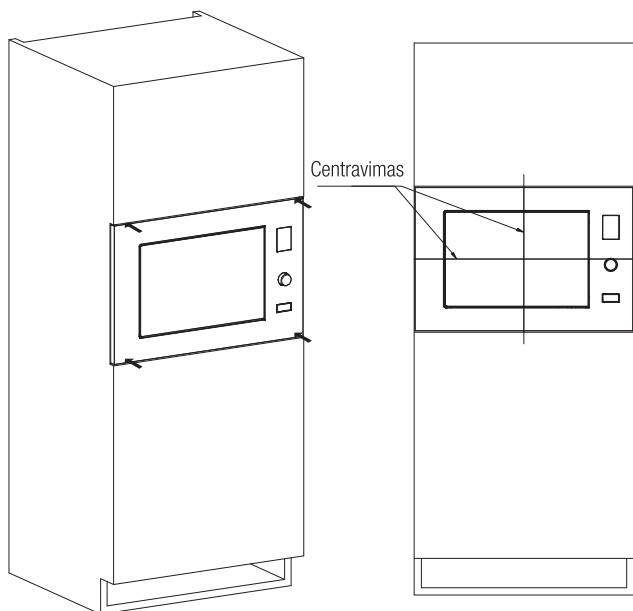
3.1.2 Mikrobangų krosnelės spintelė



3 Montavimas



Pakelkite prietaisą ir įdėkite jį į spintelės vidų.



Įdėję prietaisą į spintelę, nuspauskite 4 rėmo kampus, kad etiketės priglustų prie rėmo.

3 Montavimas

3.2 Radijo bangų trikdžiai

Veikdama mikrobangų krosnelė gali trikdyti radijo aparatų, televizorių ir kitų panašių prietaisų veikimą.

Jei yra trikdžių, juos galima sumažinti arba pašalinti imantis toliau nurodytų atsargumo priemonių:

- Nuvalykite prietaiso dureles ir sandarinimo paviršius.
- Dar kartą nustatykite radijo aparato arba televizoriaus antenos kryptį.
- Pakeiskite krosnelės vietą imtuvo vietos atžvilgiu.
- Pastatykite krosnelę toliau nuo imtuvo.
- Įjunkite krosnelę į kitą elektros lizdą, kad mikrobangų krosnelė ir imtuvas būtų prijungti prie skirtingų elektros linijų.

3.3 Maisto gamybos principai naudojant mikrobangų krosnelę

- Maistą ruoškite atidžiai. Produktą dėkite storesnėmis dalimis į indo išorę.
- Atkreipkite dėmesį į gamavimo laiką. Gaminkite pasirinktą trumpiausią nurodytą laiką, o prirėkus pridėkite daugiau laiko. Perkaitintas maistas gali pradėti rūkti arba užsidegti.
- Gamindami maistą jį uždenkite. Uždengus maistą, jis nesitaško ir yra užtikrinamas tolygus šildymas.
- Mikrobangų krosnelėje šildydami tokius maisto gaminius kaip paukštienos patiekalai ir mėsainiai, apverskite juos, kad paspartintumėte šios rūšies maisto šilimą. Didelius maisto gaminius, pvz., didelius kepsnius, reikia apversti bent kartą.
- Gaminimo metu tokius maisto gaminius kaip mėsos kukuliai apverskite ir sukeiskite vietomis esančius indo centre ir pakraščiuose.

3.4 Įžeminimo instrukcijos

Šis prietaisas būtinai turi būti įžemintas. Ši krosnelė turi įžeminimo kabelį su įžemintu kištuku. Prietaisas turi būti įjungtas į sienos kištukinį lizdą, kuris yra tinkamai sumontuotas ir įžemintas.

Trumpojo jungimo atveju įžeminimo sistema leidžia nutekėti elektros srovei ir sumažina elektros šoko pavojų. Rekomenduojama naudoti šiam prietaisui skirtą elektros grandinę. Naudoti aukštą įtampą pavojinga, dėl to gali kilti gaisras ar kiti nelaimingi atsitikimai, kurie gali sugadinti prietaisą.



ĮSPĖJIMAS! Netinkamai naudojant įžeminimo kištuką gali ištikti elektros šokas.



Jei turite klausimų dėl įžeminimo ar su elektra susijusių instrukcijų, kreipkitės į kvalifikuotą elektriką arba aptarnavimo tarnybos darbuotojus.



Gamintojas ir (arba) pardavimo atstovas neprisiima atsakomybės dėl sužeidimų arba krosnelės sugadinimo, kurie gali atsirasti netinkamai atliekant su elektra susijusius veiksmus.

Elektros kabelio laidai yra identifikuojami pagal tokią spalvą:

Žalia ir Geltona = ĮŽEMINIMAS

Mėlyna = NEUTRALUS

Ruda =FAZINIS

3.5 Mikrobangų krosnelės indai

- Tobula mikrobangų krosnelės indų medžiaga yra mikrobangoms pralaidi medžiaga, kuri leidžia energijai prasiskverbti pro krosnelės indą ir pašildyti maistą.
- Mikrobangos negali prasiskverbti pro metalą, todėl metaliniai indai ar indai su metalinėmis detalėmis krosnelėje negali būti naudojami.

3 Montavimas

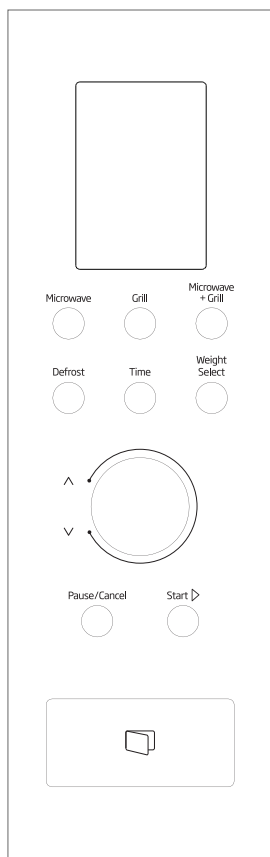
- Gaminimui krosnelėje nenaudokite perdirbto popieriaus produktų, nes juose gali būti mažų metalinių detalių, galinčių sukelti kibirkštis ir/ar gaisrą.
- Rekomenduojama naudoti apvalius/ovalius indus, o ne kvadratinius/stačiakampius indus, nes maistas kraštuose gali būti perkaitintas.
- Siekiant išvengti neapsaugotų maisto vietų perkaitinimo, galite naudoti siauras aliuminio folijos juosteles. Būkite atsargūs! Nenaudokite jų per daug ir išlaikykite 2,5 cm (1 colio) atstumą tarp folijos ir prietaiso vidinio paviršiaus.

Toliau esančiame sąraše pateiktos rekomendacijos, padėsiančios išsirinkti tinkamus virtuvės reikmenis.

Virtuvės reikmenys	Mikrobangų krosnelė	Grilis	Kombinuotas režimas
Karščiui atsparus stiklas	Taip	Taip	Taip
Karščiui neatsparus stiklas	Ne	Ne	Ne
Karščiui atspari keramika	Taip	Taip	Taip
Plastikinis indas, tinkamas naudoti mikrobangų krosnelėje	Taip	Ne	Ne
Popieriniai virtuvės reikmenys	Taip	Ne	Ne
Metalinis padėklas	Ne	Taip	Ne
Metalinė lentynėlė	Ne	Taip	Ne
Aliuminio folija ir aliuminiai indai	Ne	Taip	Ne

4 Naudojimas

4.1 Valdymo skydelis



Menu valdymo ekranas

Mikrobangų krosnelė

Paspauskite šį mygtuką keletą kartų, kad nustatytumėte mikrobangų gaminimo lygį.

Grilis

Paspauskite šį mygtuką, kad pasirinktumėte grilio programą.

Mikrobangos + Grilis

Paspauskite šį mygtuką, kad pasirinktumėte vieną iš kombinuotų gaminimo programų.

Atšildymas

Paspauskite šį mygtuką maisto atšildymui pagal svorį.

Data / Laikas

Paspauskite šį mygtuką, kad nustatytumėte laiką.

Svorio pasirinkimas

Paspauskite šį mygtuką, kad pasirinktumėte svorį programoms, kuriose reikia pasirinkti svorį.

Reguliavimo rankenėlė

Pasukite šią rankenėlę, kad nustatytumėte laiką, gaminimo laiką, meniu ar svorį.

Automatinio gaminimo funkcija yra pasirenkama pasukant reguliavimo rankenėlę prieš laikrodžio rodyklę.

Sustabdyti/atšaukti

Paspauskite šį mygtuką, kad atšauktumėte nustatymą ar iš naujo nustatytumėte krosnelę prieš pasirinkdami gaminimo programą.

Vieną kartą paspauskite šį mygtuką, kad laikinai sustabdytumėte gaminimą, du kartus - gaminimui atšaukti.

Jis taip pat naudojamas įjungti vaikų saugos užraktą.

Pradžios mygtukas

Paspauskite šį mygtuką, kad pradėtumėte gaminimo programą.

Jeigu mygtuką paspausite porą kartų, krosnelė veiks visa galia.

30 sekundžių kiekvienam paspaudimui.

4.2 Krosnelės valdiklių nustatymas

Koregavimo metu prietaisas duoda garsinį signalą.
VIENAS PYPTELĖJIMAS: Krosnelė patvirtina nustatymą.

DU PYPTELĖJIMAI: Krosnelė nepatvirtina nustatymo. Patikrinkite ir bandykite dar kartą.

4.2.1 Skaitmeninio laikrodžio nustatymas

Jeigu norite nustatyti laiką 08:30:

- Budėjimo režime 3 sekundes palaikykite TIME/CLOCK mygtuką. Ekране pasirodys „Hr 12“. Norėdami naudoti 24 val. formatą, vėl paspauskite TIME/CLOCK mygtuką.
- Pasukite ADJUSTMENT rankenėlę ir nustatykite 8 valandą.

4 Naudojimas

- Vieną kartą paspauskite „DURATION/TIME“ mygtuką.
- Pasukite ADJUSTMENT rankenėlę ir nustatykite minutes 8:30.
- Vieną kartą paspauskite DURATION/TIME mygtuką, kad patvirtintumėte nustatymus.



Galite patikrinti laiko nustatymus gaminami, vieną kartą paspausdami DURATION/TIME mygtuką.

4.2.2 Gaminimas mikrobangomis

Ilgiausia gaminimo mikrobangomis trukmė yra 95 minutės. Galite nustatyti galios lygį, pakartotinai nuspausdami MICROWAVE mygtuką.

- Pavyzdžiui, jeigu norite gaminti 5 minutes 60% krosnelės galia;
- Paspauskite STOP/CANCEL mygtuką.
- Pakartotinai nuspauskite POWER LEVEL mygtuką, kad pasirinktumėte galios lygį.

Ekranas	Gaminimo galia
P100	100 %
P80	80 %
P60	60%
P40	40%
P20	20%
P00	00%

- Sukite ADJUSTMENT rankenėlę, kol ekrane pasirodys 5:00.
- Paspauskite START mygtuką.



Galite patikrinti gaminimo galią gaminimo metu, paspausdami MICROWAVE mygtuką.



Pasibaigus gaminimo/atšildymo laikui, krosnelė duoda garsinį signalą, ekrane pasirodo „End“ žinutė; prieš pasirinkdami kitą funkciją, išjunkite ekrano žinutę paspausdami STOP/CANCEL mygtuką arba atidarydami dureles. (Ekrane galima pasirinkti toliau pateiktas gaminimo funkcijas.)

4.2.3 Greita pradžia

Ši funkcija yra skirta greitam krosnelės naudojimui. Ilgiausia gaminimo trukmė yra 10 minučių. Norėdami pasirinkti gaminimo trukmę budėjimo režime, pakartotinai greitai nuspauskite START mygtuką; prietaisas nedelsiant pradės veikti visu galingumu.

4.2.4 Atšildymas pagal svorį

Prietaisas gali atšildyti maistą priklausomai nuo jūsų įvesto svorio. Nustačius svorį, trukmė ir atšildymo galia yra nustatomi automatiškai. Maisto svoris skiriasi nuo 100 g iki 1,800 g.

Jeigu norite atšildyti 600 g krevėčių:

- Įdėkite atšildomas krevėtes į krosnelę ir uždarykite dureles.
- Paspauskite STOP/CANCEL mygtuką.
- Vieną kartą paspauskite DEFROST mygtuką.
- Pakartotinai paspauskite WEIGHT SELECTION mygtuką, kol ekrane pasirodys 600 gr.
- Paspauskite START mygtuką.



Atšildymo proceso metu sistema padaro pauzę ir duoda garsinį signalą, primindama jums apversti maistą; norėdami tęsti, paspauskite START mygtuką.

4.2.5 Gaminimas pakopomis (Daugiapakopis gaminimas)

Savo prietaise galite programuoti 3 automatines gaminimo pakopas.

Tarkime, kad jūs norite nustatyti tokią gaminimo programą:

4 Naudojimas

1 min. gaminti 60% galios lygyje ir 2 min. gaminti 100% galios lygyje.

- Paspauskite STOP/CANCEL mygtuką.
- Pakartotinai nuspauskite MICROWAVE mygtuką, kol ekrane pasirodys kodas P60.
- Sukite ADJUSTMENT rankenėlę, kol ekrane pasirodys 1 min.
- Pakartotinai nuspauskite MICROWAVE mygtuką, kol ekrane pasirodys kodas P100.
- Sukite ADJUSTMENT rankenėlę, kol ekrane pasirodys 2 min.
- Paspauskite START mygtuką.



Daugiapakopio gaminimo režime negalima pasirinkti nustatymų Greita pradžia, Meniu ir Atšildymas pagal svorį. Krosnelės veikimo etapą rodo įsižiebiantis atitinkamos lemputės.

4.2.6 Automatinis gaminimas

Maisto produktams ir tolesniam gaminimo režimui nereikia nustatyti trukmės ir gaminimo galios. Galite tiesiog įvesti maisto tipą ir svorį. Gaminimo metu jums gali tekti apversti maistą, kad maistas lygiai sušiltų.

Pavyzdys: Gaminama 400 g žuvis

- Paspauskite STOP/CANCEL mygtuką.
- Pasukite ADJUSTMENT rankenėlę prieš laikrodžio rodyklę, kad pasirinktumėte maisto kodą. Pasirinktas simbolis bus nušviestas ekrane.
- Pakartotinai nuspauskite WEIGHT SELECTION mygtuką, kad įvestumėte svorį 400 g.
- Paspauskite START mygtuką.

Automatinio gaminimo meniu

Kodas	Maistas/gaminimo režimas	Pieniui/kavai ir bulvėms turėtų būti įvestas porcijų skaičius, o ne maisto svoris. Vienas nustatymas yra skirtas spragintiems kukurūzams. Automatinio gaminimo rezultatas priklauso nuo tokių faktorių kaip įtampas svyravimai, maisto forma, dydis, jūsų asmeninis gaminimo lygio konkrečiam maistui pasirinkimas ir netgi kaip gerai įdėjote maistą krosnelėje. Jeigu rezultatas jūsų netenkina, prašome nustatyti jūsų pasirinkimui tinkamesnį gaminimo laiką.
A-1	Spraginti kukurūzai	
A-2	Pienas/Kava (200 ml/puodelis)	
A-3	Daržovės	
A-4	Bulvės (230 g/vnt.)	
A-5	Pica	
A-6	Automatinis pakartotinas pašildymas (g)	
A-7	Kepta vištiena	
A-8	Kepsnys	



Kepto viščiuko ir kepsnio pasirinkimui programa duos garsinį signalą ir padarys pauzę, kad primintų jums maistą apversti. Apvertę maistą galite spausti START mygtuką ir leisti programai tęsti.

4.2.7 Grilis

Ilgiausia gaminimo grilyje trukmė yra 95 minutės.

- Pavyzdžiui, tarkime, kad jūs norite 5 minutes gaminti grilio režime.
- Paspauskite STOP/CANCEL mygtuką.
- Pasirinkite grilio režimą vieną kartą paspaudę grilio mygtuką.
- Sukite ADJUSTMENT rankenėlę, kol ekrane pasirodys 5:00.
- Paspauskite START mygtuką.

4 Naudojimas



Turėtumėte sustabdyti programą ir apversti maistą, kad abi maisto pusės vienodai sušiltų grilio/kombinuotame gaminimo režime.

4.2.8 Kombinuotas režimas

Ilgiausia gaminimo trukmė kombinuotu režimu yra 95 minutės.

- Pavyzdžiui, tarkime, kad kombinuotu režimu norite gaminti 12 minučių.
- Paspauskite STOP/CANCEL mygtuką.
- Pasirinkite vieną iš kombinuotų režimų žemiau pateiktoje lentelėje, paspausdami Mikrobangos + Grilis mygtuką du ar tris kartus.
- Pasukite ADJUSTMENT rankenėlę, kol ekrane pasirodys 12:00.
- Paspauskite START mygtuką.

Paspaudimų skaičius Mikrobangos+Grilis mygtukui	Kombinuotas režimas	Gaminimo trukmė	
		Mikrobangų krosnelė	Grilis
2X	Co-1	30 %	70%
3X	Co-2	55 %	45 %

4.2.9 Apsaugos nuo vaikų užraktas

Naudokite šia funkcija, kad neprižiūrimi vaikai nesisinaudotų prietaisu. Rodomas apsaugos nuo vaikų užrakto simbolis, o prietaisu negalima naudotis, kol yra įjungtas apsaugos nuo vaikų užraktas.

Nustatyti Kai krosnelė yra budėjimo arba išankstinio nustatymo režime, nuspauskite ir palaikykite STOP/CANCEL mygtuką 3 sekundes, pasigirs pyptelėjimas ir nušvis užrakto simbolis. Užrakto režime visi mygtukai yra deaktyvuoti.

Atšaukti: Palaikykite nuspaudę STOP/CANCEL mygtuką 3 sekundes, kol ekrane išsijungs užrakto simbolis.

5 Valymas ir priežiūra

5.1 Valymas



ĮSPĖJIMAS! Niekada nenaudokite benzino, tirpiklių, šveičiamųjų valymo priemonių, metalinių daiktų ar šepetčių kietais šeriais prietaisui valyti.



ĮSPĖJIMAS! Niekada nemerkite prietaiso ar jo maitinimo laido į vandenį ar kokį nors kitą skystį.

1. Išjunkite prietaisą ir ištraukite jo kištuką iš sieninio lizdo.
2. Palaukite, kol prietaisas visiškai atvės.
3. Palaikykite krosnelės švarą. Jei krosnelės sienelės buvo aptaškytos maistu ar viduje išsiliejo skysčiai, nuvalykite juos drėgna šluoste. Jei krosnelė tampa labai nešvari, naudokite švelnaus poveikio valiklį. Venkite purškalo ir kitų šurkščių valiklių, antraip ant durelių paviršiaus gali likti dėmių ir matinių patakų.
4. Išorinius krosnelės paviršius valykite drėgna šluoste. Norėdami išvengti žalos veikiančioms krosnelės dalims, neleiskite kad pro ventilacijos angas į vidų patektų vanduo.
5. Norėdami pašalinti išsiliejusio ir taškomo maisto paliktas dėmes, abi durelių puses ir stiklą, durelių tarpiklius ir dalis šalia tarpiklių dažniau valykite drėgna šluoste. Nenaudokite šveičiamųjų valymo priemonių.
6. Neleiskite valdymo skydeliui sušlapti. Valykite minkšta drėgna šluoste. Palikite krosnelės dureles atviras, kad valydami valdymo skydelį netyčia neįjungtumėte krosnelės.
7. Jei viduje arba aplink dureles kaupiasi garai, nuvalykite juos minkšta šluoste. Tai gali įvykti, kai mikrobangų krosnelė veikia esant labai drėgnai aplinkai. Tai visiškai normalu.
8. Kai kuriais atvejais jums gali tekti išimti stiklinį padėklą ir jį išvalyti. Nuplaukite padėklą šiltu muiluotu vandeniu arba indaplovėje.
9. Reguliariai valykite ritininį žiedą ir krosnelės apačią, kad būtų išvengta pernelyg didelio triukšmo. Krosnelės apačią pakanka nuvalyti švelnaus poveikio valikliu. Ritininį žiedą plaukite šiltu muiluotu vandeniu arba indaplovėje. Ištraukę ir išplovę ritininį žiedą, įsitikinkite, kad jūs tiksliai įstatėte jį atgal reikiamoje padėtyje.
10. Norėdami pašalinti nemalonius kvapus, įdėkite stiklinę vandens ir sulčių ir citrinos žievelę į gilų dubenį, kuris tinka naudoti mikrobangų krosnelėje, ir įjunkite krosnelę 5 minutėms mikrobangų režimu. Po to nušluostykite ir nusausinkite minkšta šluoste.
11. Prašome kreiptis į įgaliotą aptarnavimo centrą, jei reikės pakeisti krosnelės lemputę.
12. Krosnelė turi būti reguliariai valoma ir visi maisto likučiai turi būti pašalinami. Nešvarumai gali sukelti paviršiaus defektus. Tai gali neigiamai paveikti prietaiso veikimo laiką bei sukelti riziką.
13. Prašome neišmesti šio prietaiso kartu su įprastomis buitinėmis atliekomis; pasenusios mikrobangų krosnelės turi būti perduodamos specialiems atliekų centrams, kuriais turi pasirūpinti savivaldybės.
14. Kai mikrobangų krosnelė naudojama grilio režimu, gali kilti šiek tiek dūmų, taip pat gali būti juntamas kvapas. Po tam tikro naudojimo laiko jie turėtų išnykti.

5.2 Saugojimas

- Jeigu prietaiso ilgai nenaudosite, padėkite jį į saugią vietą.
- Patikrinkite, ar prietaisas yra atjungtas nuo elektros tinklo, atvėsęs ir visiškai sausas.
- Prietaisą laikykite vėsioje, sausoje vietoje.
- Saugokite prietaisą nuo vaikų.

5 Valymas ir priežiūra

5.3 Priežiūra ir pervežimas

- Pernešimo ir pervežimo metu, gabenti prietaisą jo originalioje pakuotėje.
- Prietaiso pakuotė apsaugo jį nuo fizinių pažeidimų.
- Nedėkite ant prietaiso ar ant įpakavimo sunkių svorių. Prietaisas gali sugesti.




Najprv si, prosím, prečítajte tento návod!

Vážený zákazník,

Dakujeme Vám, že ste si vybrali výrobok značky Beko. Dúfame, že dosiahnete najlepšie výsledky vďaka vášmu výrobku, pri výrobe ktorého boli použité najmodernejšie technológie a materiály vysokej kvality. Preto si, prosím, pozorne prečítajte celý tento návod na použitie a všetky ďalšie sprievodné dokumenty ešte pred použitím výrobku a návod si odložte pre prípad, že ho budete v budúcnosti potrebovať. Ak dáte výrobok niekomu inému, dajte mu aj tento návod. Dodržujte všetky varovania a informácie uvedené v návode na použitie.

Vysvetlenie symbolov

V celom tomto návode na použitie sú použité tieto symboly:

	Dôležité informácie a užitočné rady o používaní.
	Upozornenie: Upozornenia na nebezpečné situácie vzhľadom na život a majetok.
	Upozornenie na horúce povrchy.



Tento výrobok bol vyrobený na moderných zariadeniach šetrných k životnému prostrediu.

Dôležité bezpečnostné predpisy čítajte pozorne a uchovajte pre budúce použitie

Táto časť obsahuje bezpečnostné pokyny, ktoré pomôžu chrániť sa pred rizikami zranenia osôb alebo poškodením majetku.

Nedodržanie týchto pokynov bude mať za následok stratu poskytovanej záruky.

1.1 Všeobecná bezpečnosť

- Nepokúšajte sa rúru spustiť ak sú dvere otvorené; v takom prípade sa môžete vystaviť škodlivému mikrovlnnému žiareniu. Bezpečnostné zámky nesmú byť rozbité alebo zablokované.
- Nevkladajte žiadny predmet medzi prednú stranu a dvere rúry. Nedovoľte, aby sa na povrchu udržali nečistoty alebo zvyšky čistiacich prostriedkov.

- Akékoľvek servisné práce zahŕňajúce vybratie krytu, ktorý zabezpečuje ochranu pred vystavením sa mikrovlnnému žiareniu musí vykonať autorizovaný servis. Akýkoľvek iný prístup je nebezpečný.
- Váš produkt je určený na varenie, ohrievanie a rozmrazovanie potravín v domácnosti. Nesmie byť používaný na komerčné účely. Výrobca nenesie zodpovednosť za škody spôsobené zlým používaním.
- Tento spotrebič nepoužívajte vonku, v kúpeľni, vo vlhkom prostredí alebo na miestach, kde môže zvlhnúť.
- Nie je možné uplatniť žiadnu záruku ani požadovať plnenie za zodpovednosť za škody vyplývajúce zo zlého použitia alebo nesprávnej manipulácie so spotrebičom.

Dôležité pokyny pre bezpečnosť a životné prostredie

- Nikdy sa nepokúšajte spotrebič demontovať. Na škody spôsobené nesprávnou manipuláciou sa nevzťahuje záruka.
- Používajte len originálne časti odporúčané výrobcom.
- Nenechávajte spotrebič bez dozoru, pokiaľ je v prevádzke.
- Spotrebič vždy používajte na stabilnom, rovnom, čistom a suchom povrchu.
- Tento spotrebič nesmie byť používaný s externým časovačom alebo samostatným systémom diaľkového ovládania.
- Než spotrebič použijete prvýkrát, vyčistite všetky časti. Prečítajte si údaje v časti „Čistenie a starostlivosť“.
- Spotrebič používajte iba na určený účel, ako je popísané v tomto návode. Na tento spotrebič nepoužívajte abrazívne chemikálie ani paru. Táto rúra je určená predovšetkým na varenie a ohrievanie potravín. Nie je určená na priemyselné alebo laboratórne použitie.
- Spotrebič nepoužívajte na sušenie oblečenia alebo utierok.
- Spotrebič sa pri používaní veľmi zahreje. Dajte pozor, aby ste sa nedotkli horúcich častí v rúre.
- Vaša rúra nie je navrhnutá na sušenie žiadnych živých organizmov.
- Rúru nespúšťajte prázdnu.
- Kuchynské náčinie sa môžu z dôvodu tepla preneseného z ohriateho jedla na náčinie zahriať. Pri prenášaní náčinia môžete potrebovať chňapku.
- Kuchynské náčinie je potrebné skontrolovať, aby sa zabezpečilo, že je vhodné na použitie v mikrovlnných rúrach.
- Rúru nekladte na žiadny spotrebič generujúce teplo. V opačnom prípade môže dôjsť k poškodeniu a zrušeniu platnosti záruky.
- Mikrovlnná rúra nesmie byť umiestnená do skrine, ktorá nezodpovedá pokynom na inštaláciu.

- Počas otvorenia krytu alebo fólie zakrývajúcej jedlo môže po uvarení jedla vychádzať para.
- Pri vyberaní ohriateho jedla používajte chňapky.
- Spotrebič a jeho dostupné povrchy sa môžu počas používania silno zahriať.
- Dvere a vonkajšie sklo sa môžu počas používania spotrebiča veľmi zahriať.
- Skontrolujte, či vaše napájanie zodpovedá informáciám uvedeným na štítku spotrebiča. Jediný spôsob, ako odpojiť zariadenie od zdroja napájania, je odpojiť napájací adaptér.
- Spotrebič zapájajte iba do uzemnenej zásuvky.
- Nikdy nepoužívajte spotrebič, ak je poškodený napájací kábel alebo spotrebič.
- Pre prácu so spotrebičom nepoužívajte predlžovací kábel.
- Nikdy nesiahajte na spotrebič alebo zástrčku mokrými alebo vlhkými rukami.

1.1.1 Elektrická bezpečnosť

- Mikrovlnná rúra Beko spĺňa platné bezpečnostné štandardy, v prípade akéhokoľvek poškodenia spotrebiča alebo napájacieho kábla musí byť vykonaná oprava alebo výmena predajcom, servisným centrom alebo odborníkom z autorizovaného servisu, čím sa predíde poškodeniu. Chybná alebo neodborná oprava môže spôsobiť nebezpečenstvo a riziko pre užívateľa.
- Spotrebič umiestnite tak, aby bola zástrčka vždy prístupná.
- Zabráňte poškodeniu napájacieho kábla, zabráňte jeho zatlačeniu, ohnutiu alebo odieraniu o ostré hrany. Napájací kábel udržiajte mimo horúce povrchy a otvorený oheň.

Dôležité pokyny pre bezpečnosť a životné prostredie

- Uistite sa, že neexistuje žiadne nebezpečenstvo, že by bol napájací kábel náhodne vytiahnutý alebo že by o neho mohol niekto počas používania zakopnúť.
- Spotrebič odpojte pred každým čistením a v prípade, že ho nepoužívate.
- Pri odpojení z napájacej siete za napájací kábel spotrebiča neťahajte a nikdy ho neovíňte okolo spotrebiča.
- Spotrebič, napájací kábel alebo zástrčku neponárajte do vody ani iných kvapalín. Nedržte pod tečúcou vodou.
- Počas ohrievania potravín v plastových alebo papierových nádobách rúru z dôvodu možnosti vznietenia často kontrolujte.
- Kým vrecká s potravinami vložíte do mikrovlnnej rúry, odstráňte kovové sponky a / alebo iné časti.
- Ak spozorujete dym, spotrebič vypnite alebo ho odpojte, dvere nechajte zatvorené, aby ste predišli vznieteniu.
- Vnútorňú časť rúry nepoužívajte ako úložný priestor. Keď sa rúra nepoužíva, nenechávajte v nej žiadne papiere, materiál na varenie ani potraviny.
- Obsah dojčenských fliaš a fľaštičiek s detskou výživou treba pred použitím premiešať alebo s nimi zatrepať, aby ste tak predišli popáleninám.
- Tento spotrebič spadá do skupiny 2 triedy B zariadenia ISM. Skupina 2 obsahuje všetky ISM zariadenia (priemyselné, vedecké a lekárske), ktoré generuje vysokofrekvenčnú energiu a/alebo sa používa vo forme elektromagnetického žiarenia pre ošetrovanie materiálu a elektro zariadení.
- Zariadenie triedy B je vhodné na použitie v domácom prostredí priamo pripojenom k napájacej sieti s nízkym napätím.

• Dvere alebo vonkajší povrch spotrebiča sa môže počas používania veľa zahriať.

1.1.2 Bezpečnosť produktu

- Kvapaliny alebo iné potraviny nesmú byť ohrievané v uzavretých nádobách, pretože existuje nebezpečenstvo explózie.
- Ohrievanie nápojov v mikrovlnnej rúre môže spôsobiť, že budú privedené do varu a rozstreknú sa ako náhle sú vyňaté z rúry, preto dávajte pri prenášaní nádob pozor.
- V rúre nič neopekajte. Horúci olej
- môže poškodiť komponenty a materiály rúry a dokonca môže spôsobiť popálenie kože.
- Potraviny so šupkou ako sú zemiaky, cukety, jablká a gaš-tany prepichnete.
- Spotrebič musí byť umiestnený tak, aby jeho zadná časť smerovala ku stene.

• Ak sú dvierka alebo tesnenie dvierok poškodené, rúra nesmie byť používaná kým nebude opravená kompetentnou osobou.

- Kým spotrebič vyberiete, zaistite otočný tanier, aby ste predišli jeho poškodeniu.
- Mikrovlnnú rúru nepoužívajte na varenie alebo ohrievanie vajíčok, sa škrupinou alebo bez nej.
- Nikdy neskladajte časti v zadnej časti a po stranách spotrebiča, ktoré chránia minimálnej vzdialenosti medzi stenami skrine a spotrebičom, aby ste tak zaistili požadovanú cirkuláciu vzduchu.

1.2 Zamýšľané použitie

- Mikrovlnná rúra je určená iba na vstavané použitie.
- Spotrebič nepoužívajte k ničomu inému než je zamýšľané použitie.

- Spotrebič nepoužívajte ako zdroj tepla.
- Mikrovlnná rúra je určená iba na rozmrazovanie, varenie a dusenie potravín.
- Potraviny nezakrývajte, v opačnom prípade môžete spôsobiť požiar.
- Na čistenie spotrebiča nepoužívajte parné čističe.
- Rúru je potrebné pravidelne čistiť a odstrániť akékoľvek zvyšky potravín.
- Nad horným povrchom rúry musí byť minimálne 20 cm voľného priestoru.

1.3 Bezpečnosť detí

- Je potrebné venovať pozornosť pri použití v blízkosti detí a osôb so zníženými fyzickými, sensorickými alebo mentálnymi schopnosťami.
- Tento spotrebič môžu používať deti staršie ako 8 rokov a ľudia s obmedzenými fyzickými, sensorickými alebo duševnými schopnosťami alebo ktoré nemajú dostatočné vedomosti a skúsenosti, pokiaľ na ne a bezpečné použitie produktu dospelá osoba alebo ak sú poučení o rizikách spojených s použitím produktu. Deti sa nesmú hrať so spotrebičom. Čistenie a údržba nesmie byť vykonávané deťmi, ak na ne nedohliadajú staršie osoby.
- Riziko zadusení! Všetky obaly uchovajte mimo dosahu detí.
- Deťom dovoľte používať rúru bez dozoru ak ste ich zodpovedajúcim spôsobom poučili, teda je dieťa schopné používať mikrovlnnú rúru bezpečne a rozumie nebezpečenstvám plynúcim z nesprávneho použitia.
- Produkt a jeho napájací kábel udržiajte tak, aby neboli prístupné deťom mladším ako 8 rokov.

- Spotrebič a jeho dostupné povrchy sa môžu počas používania veľa zahriať. Udržujte deti mimo dosahu.
- **VÝSTRAHA!** Ak sú dvere alebo tesnenie dverí poškodené, rúra sa nesmie používať, kým ju neopraví oprávnená osoba.
- **VÝSTRAHA!** Je nebezpečné, aby ktokoľvek iný ako oprávnená osoba vykonával akýkoľvek servis alebo opravy vyžadujúce odstránenie krytu, ktorý bráni vystaveniu pôsobenia mikrovlnnej energie.
- **VÝSTRAHA!** Tekutiny alebo iné potraviny sa nesmú zohrievať v utesnených nádobách, pretože by mohli explodovať.
- Tento spotrebič je určený na používanie v domácnosti a na podobné účely, ako napríklad:
 - kuchynky zamestnancov v obchodoch, úradoch a iných pracoviskách;
 - hospodárske domy;
 - zákazníkmi v hoteloch, motelloch a v iných ubytovacích zariadeniach;
 - zariadenia, ktoré poskytujú ubytovanie s raňajkami.
 - Minimálna výška voľného priestoru nad horným povrchom rúry.
 - Používať iba taký kuchynský riad, ktorý je vhodný na používanie v mikrovlnných rúrach.
 - Mikrovlnné zohrievanie nápojov môže vyústiť do oneskoreného búrlivého varu, preto treba dávať pozor pri manipulácii s nádobou.
 - Podrobné pokyny na čistenie dverových tesnení, ohraničených vnútorných (dutých) priestorov a príslušných častí.
 - Rúra sa musí pravidelne čistiť a akékoľvek zvyšky potravy sa musia z nej odstraňovať.

Dôležité pokyny pre bezpečnosť a životné prostredie

- Nesplnenie požiadavky udržiavať rúru v čistote môže viesť k poškodeniu povrchu, čo môže nepriaznivo ovplyvniť životnosť spotrebiča a prípadne vyústiť do nebezpečnej situácie.

1.4 Zhoda so smernicou WEEE a likvidácia produktov

Tento produkt neobsahuje škodlivé a zakázané materiály špecifikované v „Smernica ohľadom likvidácie elektrických a elektronických produktov“, vydané ministerstvom životného prostredia. Je v súlade s nariadením WEEE.



Tento produkt sa vyrobil z vysokokvalitných dielov a materiálov, ktoré sa dajú opätovne použiť a sú vhodné pre recykláciu. Z tohto dôvodu nelikvidujte produkt na konci jeho životnosti s bežným komunálnym odpadom. Odneste ho na zberné miesto pre recykláciu elektrického a elektronického vybavenia. O informácie o týchto zberných miestach požiadajte miestny úrad. Recykláciou produktov prispievate k ochrane životného prostredia a prírodných zdrojov.

1.5 V súlade s Obmedzením používania niektorých nebezpečných látok v elektronických a elektrických zariadeniach

Tento produkt bol zakúpený v súlade so smernicou o odpadoch z elektrických a elektronických zariadení EÚ (2011/65/EÚ). Neobsahuje žiadne nebezpečné alebo zakázané materiály špecifikované smernicou.

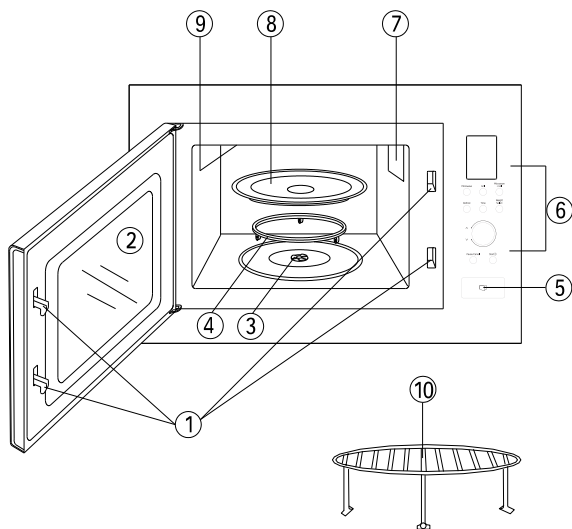
1.6 Informácie o balení



Balenie produktu je vyrobené z recyklovateľných materiálov, v súlade s našou národnou legislatívou. Baliaci materiál nelikvidujte spolu s komunálnym alebo iným odpadom. Zoberte ho na zberné miesto baliaceho materiálu, ktoré vytvorili miestne úrady.

2 Vaša mikrovlnná rúra

2.1. Prehľad



1. Bezpečnostný systém zatvorenia dveriek
2. Okienko
3. Hriadeľ otočného taniera
4. Podpora otočného taniera
5. Tlačidlo otvárania dverí
6. Ovládací panel
7. Vlnovod (Prosím, neodnímajte sľudový plát, ktorý zakrýva vlnovod)
8. Sklenený tanier
9. Grilovací článok
10. Rošt

2.2. Technické údaje

Spotreba energie	230 - 240 V~50 Hz, 1400 W (mikrovlny), 1000 W (gril)
Výstup	900 W
Mikrovlnná frekvencia	2450 MHz
Vonkajšie rozmery	390 mm (V) X 595 mm (Š) X 365 mm (H)
Vnútorne rozmery rúry	220 mm (V) X 340 mm (Š) X 320 mm (H)
Kapacita rúry	23 litrov
Hmotnosť - netto	14,1 kg

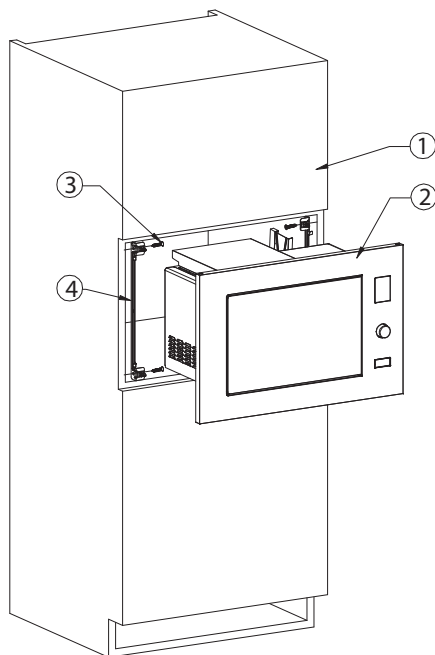
Označenia na zariadení alebo hodnoty uvedené v iných dokumentoch dodaných s týmto výrobkom sú hodnoty dosiahnuté v laboratórnych podmienkach podľa príslušných noriem. Tieto hodnoty sa môžu líšiť podľa spôsobu použitia zariadenia a podmienok okolitého prostredia. Hodnoty výkonu boli testované pri 240 V.

3 Inštalácia

3.1. Inštalácia

- Inštaláciu by mal vykonávať len personál autorizovaného servisu.
- Uistite sa, že ste odstránili všetky obalové materiály z vnútornej strany dvierok.
- Toto zariadenie by malo byť umiestnené na povrchu schopnom uniesť hmotnosť rúry a hmotnosť najťažšieho objemu potravín, ktoré v nej môžu byť upravované.
- Zariadenie neumiestňujte do priestorov s vysokou vlhkosťou, mokrých priestorov alebo do blízkosti horľavých materiálov.
- Rúru nepoužívajte bez umiestnenia otočnej podpory do správnej polohy.
- Uistite sa, že napájací kábel nie je poškodený, neprechádza popod toto zariadenie ani cez žiadne horúce alebo ostré povrchy.
- Elektrická zásuvka by mala byť na ľahko dostupnom mieste tak, aby ste v prípade ohrozenia mohli zariadenie jednoducho odpojiť.
- Toto zariadenie nepoužívajte vo vonkajších priestoroch.

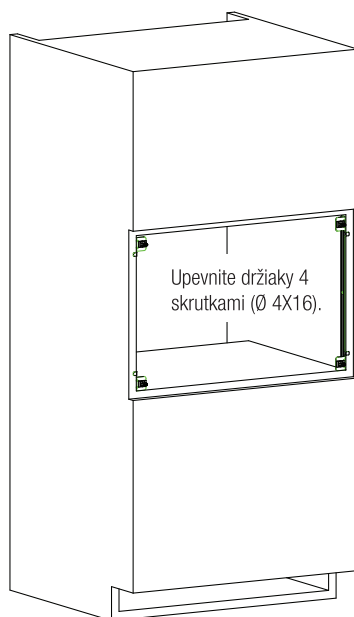
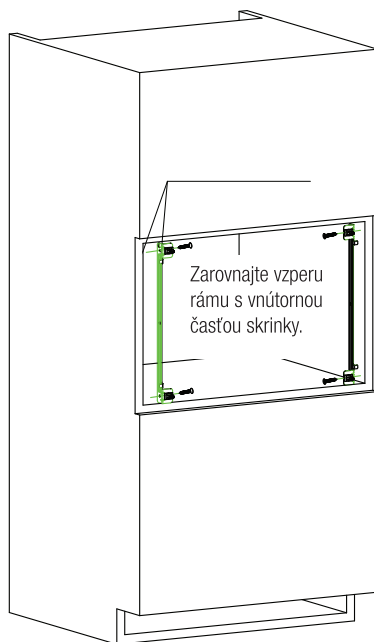
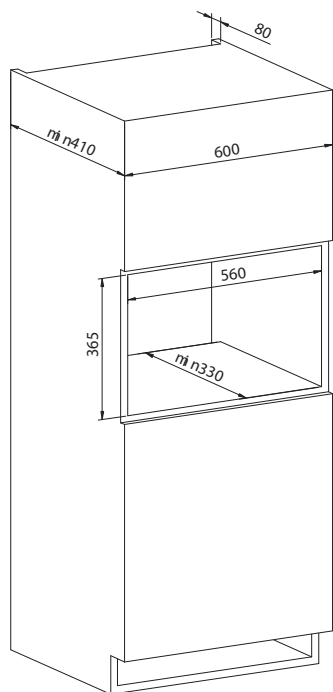
3.1.1. Inštalačná sada



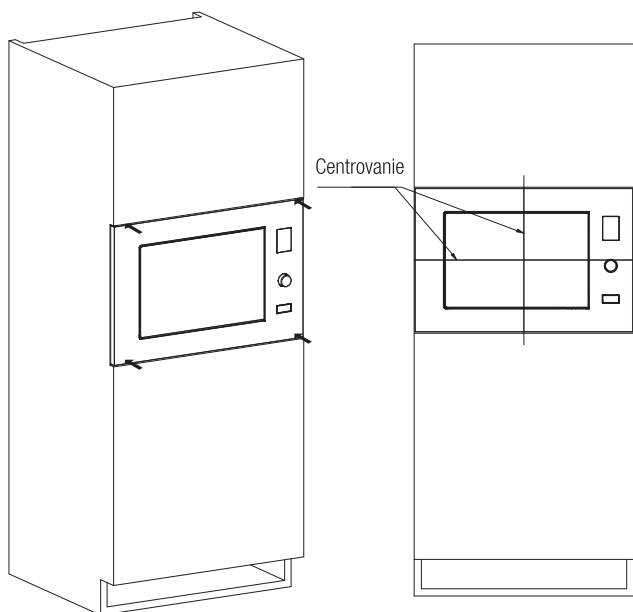
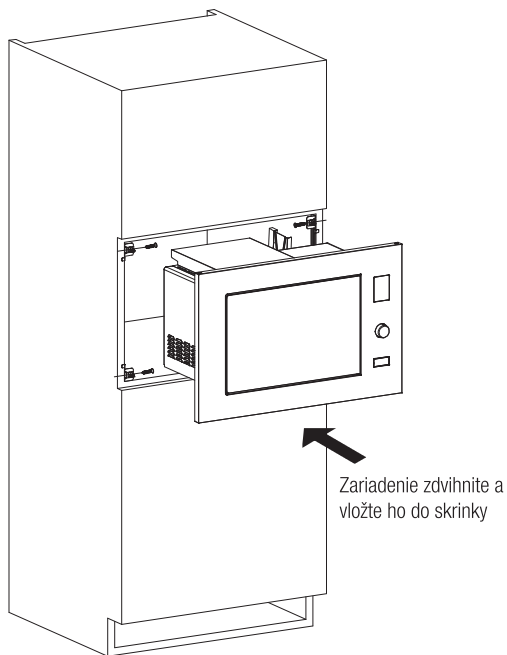
1. Skrinka
2. Mikrovlnná rúra
3. \varnothing Skrutky 4x16 (4 ks)
4. Vzpera na pripojenie skrinky

3 Inštalácia

3.1.2. Skrinka mikrovlnnej rúry



3 Inštalácia



Po umiestnení zariadenia do skrinky stlačte 4 rohy rámu tak, aby vzpery pevne dosadali na rám.

3 Inštalácia

3.2. Rádiové rušenie

Prevádzka tejto mikrovlnnej rúry môže spôsobovať rušenie signálu na rádiových a televíznych prijímačoch alebo na podobných zariadeniach.

V prípade vzniku takýchto interferencií je možné ich eliminovať uplatnením nasledovných opatrení:

- Vyčistíte dvierka a tesniace plochy zariadenia.
- Znovu nastavte smer rádiovej alebo televíznej antény.
- Zmeňte umiestnenie zariadenie podľa polohy prijímača.
- Premiestnite zariadenie ďalej od prijímača.
- Zapojte zariadenie do inej zásuvky. Mikrovlnná rúra a prijímač budú takto pripojené na rôzne okruhy.

3.3. Zásady varenia v mikrovlnnej rúre

- Potraviny starostlivo pripravte. Hrubšie časti umiestnite smerom k vonkajšiemu okraju taniera.
- Venujte pozornosť dobe varenia. Potraviny ohrievajte najkratšiu určenú dobu a ak je potrebné, následne pridajte ďalší čas ohrevu. Príliš prehriate potraviny môžu produkovať dym alebo sa vznietiť.
- Potraviny počas ohrevu prikryte. Prikrytie potravín slúži ako ochrana pred vyšplechnutím a pomáha zabezpečiť rovnomerné prehriatie potravín.
- Potraviny, ako hydina a hamburgery, počas prípravy v mikrovlnnej rúre jedenkrát otočte. Zrýchlite tým proces prípravy takýchto potravín. Väčšie kusy potravín, ako napr. pečenka, musia byť aspoň jedenkrát obrátené.
- Potraviny, ako sú mäsové guľičky, obráťte v polovici ich prípravy a zmeňte ich umiestnenie zo stredu taniera na jeho okraje.

3.4. Pokyny pre uzemnenie

Toto zariadenie určite musí byť uzemnené. Toto zariadenie má uzemňovací kábel s uzemnenou zástrčkou. Toto zariadenie musí byť pripojené do správne namontovanej a uzemnenej zásuvky.

Uzemňovací systém poskytuje vodič pre odvedenie elektrického prúdu v prípade skratu a znižuje riziko elektrického šoku. Odporúča sa použiť elektrický okruh určený pre toto zariadenie. Prevádzka pri vysokom napätí je nebezpečná a môže spôsobiť požiar alebo iné nehody, ktoré môžu mať za následok poškodenie zariadenia.



VAROVANIE! Zlé použitie uzemneného pripojenia môže spôsobiť elektrický šok.



Ak máte akékoľvek otázky o uzemnení a elektrických pokynoch, konzultujte ich, prosím, s kvalifikovaným elektrotechnikom alebo personálom servisu.



Výrobca a/alebo predajca nebudú niesť žiadnu zodpovednosť za poranenia alebo škody na rúre, ktoré vznikli z dôvodu nedodržania správnych elektrických postupov.

Vodiče vo vnútri napájacieho kábla sú nasledovne farebne odlíšené:

Zelený a žltý = ZEM

Modrý = NULOVÝ VODIČ

Hnedý = ŽIVÝ VODIČ

3.5. Materiály do rúry

- Pre mikrovlnnú rúru sú ideálne materiály, ktoré vedú mikrovlny. Tieto materiály umožňujú energii dostať sa cez nádoby a ohriať potraviny.
- Mikrovlny nedokážu preniknúť cez kovy. Preto sa nesmú používať kovové riady alebo riady s kovovými ornamentmi.

3 Inštalácia

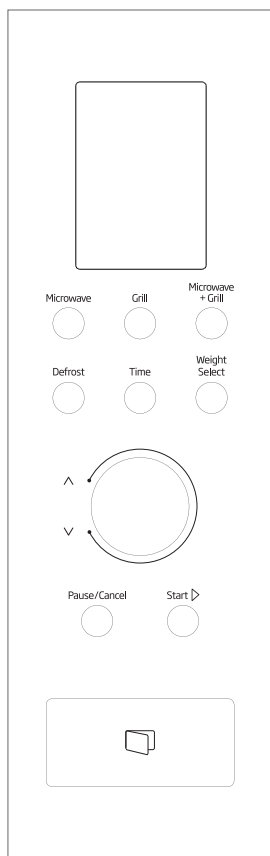
- Na varenie v mikrovlnke nepoužívajte materiály z recyklovaného papiera, keďže tieto môžu obsahovať malé čiastočky kovov, ktoré môžu spôsobiť iskrenie a/alebo oheň.
- Odporúča sa používať okrúhle/oválne riady namiesto štvorcových / obdĺžnikových, keďže potraviny na okrajoch by sa mohli prehriať.
- Na ochranu pred prehriatím menej odolných kusov potravín môžete použiť úzke pásy hliníkovej fólie. Avšak, prosím, buďte opatrní! Nepoužívajte ich nadmerne a dodržte vzdialenosť 2,5 cm medzi fóliou a vnútorným povrchom zariadenia.

Nasledujúci zoznam by vám mal pomôcť ako všeobecný sprievodca na výber správnych nádob.

Riad (nádobá)	Mikrovlny	Rošt	Kombinácia
Žiaruvzdorné sklo	Áno	Áno	Áno
Sklo, ktoré nie je žiaruvzdorné	Nie	Nie	Nie
Žiaruvzdorná keramika	Áno	Áno	Áno
Plastový riad vhodný do mikrovlnky	Áno	Nie	Nie
Papierový riad	Áno	Nie	Nie
Kovové podnosy	Nie	Áno	Nie
Kovové rošty	Nie	Áno	Nie
Hliníkové fólie a fóliové riady	Nie	Áno	Nie

4 Obsluha

4.1. Ovládací panel



Dispej obsluhy
menu

Mikrovlny

Stlačte toto tlačidlo niekoľkokrát, aby ste nastavili úroveň mikrovlnného varenia.

Gril

Stlačením tohto tlačidla zvolíte grilovací program.

Mikrovlny + gril

Stlačením tohto tlačidla zvolíte jeden z kombinovaných programov.

Rozmrazovanie

Stlačte toto tlačidlo pre rozmrazenie potravín podľa ich hmotnosti.

Dátum / Čas

Stlačte toto tlačidlo pre nastavenie času.

Vol'ba hmotnosti

Stlačte toto tlačidlo pre výber hmotnosti pri programoch, ktoré vyžadujú výber hmotnosti.

Ovládač nastavenia

Otočením tohto ovládača nastavíte čas, dobu ohrevu, menu alebo hmotnosť.

Otočením ovládača proti smeru hodinových ručičiek nastavíte funkciu automatického ohrevu.

Stop / Zrušiť

Stlačením tohto tlačidla zrušíte nastavenia alebo reštartujete rúru pred nastavením niektorého programu.

Pre dočasné zastavenie ohrevu stlačte toto tlačidlo jedenkrát a pre úplné zastavenie dvakrát.

Používa sa tiež na nastavenie detskej poistky.

Tlačidlo Štart

Stlačením tohto tlačidla spustíte vybraný program. Ak toto tlačidlo stlačíte viackrát, rúra bude fungovať na plný výkon.

30 sekúnd na jedno stlačenie.

4.2. Nastavenie ovládačov rúry

Toto zariadenie počas nastavovania vydáva počutelné signály.

JEDNO PÍPNUTIE: Rúra akceptovala zadany vstup.

DVE PÍPNUTIA: Rúra odmietla zadany vstup. Skontrolujte a skúste to znovu.

4.2.1. Nastavenie digitálnych hodín

Ak chcete nastaviť čas zariadenia na 8:30:

- V pohotovostnom režime stlačte tlačidlo ČAS / HODINY na 3 sekundy. Na displeji sa objaví „Hr 12“. Pre použitie 24 hodinového režimu stlačte opätovne tlačidlo ČAS / HODINY.
- Otočte OVLÁDAČ NASTAVENIA a nastavte políčko hodín na 8.
- Stlačte tlačidlo TRVANIE / ČAS jedenkrát.
- Otočte OVLÁDAČ NASTAVENIA a nastavte políčko minút na 8:30.
- Stlačte TRVANIE / ČAS jedenkrát a potvrdte nastavenie.

4 Obsluha



Nastavenie času môžete skontrolovať počas prevádzky stlačením tlačidla TRVANIE / ČAS jedenkrát.

4.2.2. Varenie v mikrovlnnej rúre

Najdlhší čas varenia pre mikrovlnu je 95 minút. Úroveň výkonu môžete nastaviť opakovaným stlačením tlačidla MIKROVLNLY.

- Napríklad, ak chcete ohrievať po dobu 5 minút pri 60% mikrovlnnom výkone:
- Stlačte tlačidlo STOP / ZRUŠIŤ.
- Opakovane stláčajte ÚROVEŇ VÝKONU a zvolte úroveň výkonu.

Displej	Výkon varenia
P100	100 %
P80	80 %
P60	60 %
P40	40 %
P20	20 %
P00	00 %

- Otáčajte OVLÁDAČ NASTAVENIA, až kým sa na displeji neobjaví 5:00.
- Stlačte tlačidlo ŠTART.



Výkon môžete skontrolovať počas ohrevu stlačením tlačidla MICROWAVE.



Po uplynutí času ohrevu / rozmrazovania rúra vydá zvukový signál a na displeji sa objaví nápis „End“. Displej vyčistíte pred nastavením novej funkcie stlačením tlačidla STOP / ZRUŠIŤ alebo otvorením dvierok. (Môže sa použiť aj pre nasledujúcu funkciu ohrevu.)

4.2.3. Rýchly štart

Túto funkciu je možné použiť pre rýchlu obsluhu mikrovlnky. Najdlhšia doba varenia je 10 minút. Pre nastavenie doby ohrevu v pohotovostnom režime opakovane rýchlo stláčajte tlačidlo ŠTART. Zariadenie začne okamžite pracovať na plnom výkone.

4.2.4. Rozmrazovanie podľa hmotnosti

Zariadenie dokáže rozmrazovať potraviny podľa hmotnosti, ktorú zadáte. Po nastavení hmotnosti sa automaticky nastaví doba a výkon rozmrazovania. Rozsah hmotnosti je od 100 g po 1 800 g.

Ak chcete rozmraziť 600 g kreviet:

- Umiestnite krevety určené na rozmrazenie do zariadenia a zatvorte dvierka.
- Stlačte tlačidlo STOP / ZRUŠIŤ.
- Jedenkrát stlačte tlačidlo ROZMRAZOVANIE.
- Opakovane stláčajte tlačidlo VOĽBA HMOTNOSTI, až kým sa neobjaví 600 gr.
- Stlačte tlačidlo ŠTART.



Počas procesu rozmrazovania sa systém zastaví a vydá zvukový signál, aby vám pripomenul, že je potrebné potraviny obrátiť. Pre pokračovanie stlačte tlačidlo ŠTART.

4.2.5. Viacúčelové (reťazové) varenie

Na vašom zariadení môžete naprogramovať 3 automatické reťazce ohrevu.

Povedzme, že chcete nastaviť nasledujúci program: 1 min. ohrevu pri výkone 60 %, 2 min. ohrevu pri výkone 100 %.

- Stlačte tlačidlo STOP / ZRUŠIŤ.
- Opakovane stláčajte tlačidlo MIKROVLNLY, kým sa na displeji neobjaví kód P60.
- Otočte OVLÁDAČOM NASTAVENIA, kým sa nezobrazí 1 min.
- Opakovane stláčajte tlačidlo MIKROVLNLY, kým sa nezobrazí kód P100.

4 Obsluha

- Otočte OVLÁDAČOM NASTAVENIA, kým sa ne-zobrazí 2 min.
- Stlačte tlačidlo ŠTART.



Rýchly štart, Menu a Rozmrazovanie podľa hmotnosti nie je pri tomto viac-krokovom ohreve možné nastaviť. Príslušné kontrolné svetielka sa rozsvietia a označia aktuálny stav programu.

4.2.6. Automatické varenie

Pre potraviny a nasledovný režim varenia nie je potrebné nastavovať dobu a výkon ohrevu. Stačí, ak zadáte typ potraviny a jej hmotnosť. Je možné, že v polovici doby ohrevu bude potrebné potraviny obrátiť, aby sa ohriali rovnomerne.

Príklad: Varenie 400 g ryby

- Stlačte tlačidlo STOP / ZRUŠIŤ.
- Otočte OVLÁDAČ NASTAVENIA proti smeru hodinových ručičiek a zvolte kód potraviny. Vybraný symbol sa rozsvieti.
- Opakovane stlačajte tlačidlo VOLĽBA HMOTNOSTI a nastavte 400 g.
- Stlačte tlačidlo ŠTART.

Menu automatického varenia

Kód	Potravina / režim varenia	
A-1	Pukance	Pre mlieko, kávu a zemiaky by mali byť zadané počty porcií a nie hmotnosť potraviny. Pre pukance je len jedna možnosť výberu. Výsledok automatického varenia závisí na faktoroch ako sú: kolísanie napätia, tvar a veľkosť potravín, vaša osobná voľba úrovne tepelnej úpravy danej potraviny, a to ako dobre ste potraviny umiestnili do zariadenia. Ak s výsledkom varenia nie ste spokojný, upravte, prosím, vhodné nastavenia podľa vášho priania.
A-2	Mlieko / káva (200 ml / šálka)	
A-3	Zelenina	
A-4	Zemiaky (230 g / ks)	
A-5	Pizza	
A-6	Automatické znovu-ohriatie (g)	
A-7	Grilované kurča	
A-8	Grilovaný steak	



Pri voľbe grilovaného kurčaťa a grilovaného steaku sa program zastaví a vydá zvukový signál, aby vám pripomenul, že potraviny treba obrátiť. Po ich obrátení môžete stlačiť tlačidlo ŠTART a program bude pokračovať.

4.2.7. Gril

Najdlhšia doba ohrevu pri grile je 95 minút.

- Povedzme, že chcete ohrievať 5 minút v režime grilu.
- Stlačte tlačidlo STOP / ZRUŠIŤ.
- Stlačením tlačidla Gril jedenkrát zvolíte režim grilu.
- Otáčajte OVLÁDAČ NASTAVENIA, až kým sa na displeji neobjaví 5:00.
- Stlačte tlačidlo ŠTART.

4 Obsluha



Pri režimoch Gril/Kombinovaný by ste mali program prerušiť a otočiť potraviny tak, aby boli upravené z oboch strán rovnako.

4.2.8. Kombinovaný

Najdlhšia doba ohrevu v kombinovanom režime je 95 minút.

- Napríklad, chcete v kombinovanom režime ohrievať 12 minút.
- Stlačte tlačidlo STOP / ZRUŠIŤ.
- Z nasledovnej tabuľky vyberte jeden z kombinovaných režimov stlačením tlačidla MIKROVLNÝ + GRILL dva alebo trikrát.
- Otáčajte tlačidlom OVLÁDAČ NASTAVENIA, kým sa nezobrazí 12:00.
- Stlačte tlačidlo ŠTART.

Počet stlačení tlačidla MICROWAVE + GRILL	Kombinácia	Doba ohrevu	
		Mikrovlny	Rošt
2X	Co-1	30 %	70 %
3X	Co-2	55 %	45 %

4.2.9. Detská poistka

Túto funkciu využijete na to, aby ste dieťaťu znemožnili nepozorovane obsluhovať toto zariadenie. Zobrazí sa symbol detskej poistky a zariadenie nie je možné obsluhovať pokiaľ je detská poistka nastavená.

Nastavenie: Ak je rúra v pohotovostnom alebo prednastavenom režime, stlačte a podržte tlačidlo STOP / ZRUŠIŤ na 3 sekundy. Zaznie počuteľné pípnutie a symbol zámku sa rozsvieti. V tomto režime sú deaktivované všetky tlačidlá.

Zrušenie: Stlačte a podržte tlačidlo STOP / ZRUŠIŤ na tri sekundy, kým symbol zámku nezhasne.

5 Čistenie a údržba

5.1 Čistenie



VAROVANIE! Na čistenie spotrebiča nikdy nepoužívajte benzín, rozpúšťadlo, abrazívne čistiaci prostriedok, kovové objekty alebo tvrdé kefy.



VAROVANIE! Spotrebič alebo jeho napájací kábel nikdy neponárajte do vody alebo inej kvapaliny.

1. Vypnite spotrebič a odpojte napájací kábel zo zásuvky.
2. Počkajte kým spotrebič úplne nevychladne.
3. Vnútornú časť rúry udržiujte čistú. V prípade, že na stenách rúry zostali zvyšky jedla alebo rozliatej kvapaliny, utrite ich handričkou. Ak sa rúra veľa znečistí, možno použiť jemný čistiaci prostriedok. Vyhnite sa použitiu sprejov a ďalších čistiacich látok, pretože môžu zanechať škvrny, značky a poničiť povrch dverí.
4. Vonkajšie povrchy rúry musia byť vyčistené handričkou. Nedovoľte, aby sa voda dostala do vetracích otvorov, aby ste tak predišli poškodeniu prevádzkových častí v rúre.
5. Obe strany dverí a sklo, tesnenia dverí a časti v blízkosti tesnení často utierajte handričkou, aby ste odstránili škvrny spôsobené rozstříknutím. Nepoužívajte abrazívne čistiace prípravky.
6. Nedovoľte, aby bol ovládací panel vlhký. Vyčistite mäkkou handričkou. Dvere rúry nechajte otvorené, aby ste počas čistenia ovládacieho panela predišli nežiaducemu spusteniu.
7. Ak sa vo vnútri rúry alebo v jej okolí nahromadí para, utrite ju mäkkou handričkou. K tomu môže dôjsť, ak je mikrovlnná rúra prevádzkovaná vo vysoko vlhkých podmienkach. To je normálne.
8. V niektorých prípadoch musíte pri čistení vybrať sklenený tanier. Sklenený tanier umyte v teplej vode alebo v umývačke.
9. Valec a rúru treba čistiť pravidelne, aby sa predišlo nadmernej hlučnosti. Spodnú časť rúry stačí utrieť handričkou s jemným čistiacim prípravkom. Krúžok možno umyť v teplej vode alebo v umývačke. Keď krúžok vyberiete zo spodnej časti, pri jeho vrátení skontrolujte, že ste ho nainštalovali správnym smerom.
10. Aby ste odstránili zlý zápach z rúry, vložte do mikrovlnnej rúry misku s vodou a citrónovou šťavou a kôrou a rúru spustíte na 5 minút v mikrovlnnom režime. Dôkladne utrite a vysušte mäkkou handričkou.
11. V prípade, že je potrebné vykonať výmenu žiarovky v rúre, kontaktujte autorizovaný servis, prosím.
12. Rúra musí byť pravidelne čistená a akékoľvek zvyšky potravín musia byť odstránené. Ak nie je rúra udržiavaná čistá, môže to spôsobiť povrchové defekty, ktoré by mohli negatívne ovplyvniť životnosť spotrebiča to by mohlo spôsobiť nebezpečenstvo.
13. Tento spotrebič nelikvidujte spoločne s domácim odpadom; staré rúry musia byť zlikvidované v špeciálnych centrách prevádzkovaných mestskými úradmi.
14. Keď sa používa funkcia grilu, môže sa objaviť malé množstvo dymu a zápachu, čo po určitej dobe používania zmizne.

5.2 Skladovanie

- Ak nechcete spotrebič dlhšiu dobu používať, dôkladne ho uskladnite.
- Skontrolujte, či je spotrebič odpojený, vychladnutý a úplne suchý.
- Spotrebič skladujte na suchom, chladnom mieste.
- Spotrebič skladujte mimo dosahu detí.

5.3. Manipulácia a preprava

- Počas manipulácie so zariadením a jeho prepravou ho uchovávajte v tomto originálnom balení.
- Obaly chránia zariadenie pred fyzickým poškodením.
- Na zariadenie ani jeho obal nekladte ťažké predmety. Zariadenie by sa mohlo poškodiť.

ZÁKAZNÍCKE CENTRUM BEKO

BEKO Slovakia s.r.o., Suché mýto 1, 811 03 Bratislava

Denne od 8:00 do 18:00

Pomôže vyriešiť záručné, prípadne pozáručné opravy výrobkov BEKO

Kontakt	0800 171 250
e-mail	zakaznickecentrumsk@bekosa.cz
Objednávka opravy spotrebiča on-line	www.bekosk.sk
ZÁRUKA 5 ROKOV – podmienky a registrácie on-line	www.bekosk.sk

ZÁRUČNÉ PODMIENKY SR

a) Platný a čitateľný predajný doklad, ktorý obsahuje dátum predaja, model spotrebiča a označenie predajcu oprávňuje užívateľa využiť záruku na výrobok v súlade s ustanoveniami zák. č. 40/1964 Zb. Občianskeho zákonníka, v platnom znení.

b) Ak nie je stanovené inak, je záručná doba na výrobok 24 mesiacov. Začína plynúť odo dňa prevzatia veci kupujúcim okrem prípadu, kedy je nutné uvedenie do prevádzky oprávnenou firmou. V takomto prípade začne záručná doba plynúť odo dňa uvedenia výrobku do prevádzky.

Výrobky, ktoré vyžadujú odbornú montáž/pripojenie: plynové a kombinované sporáky a varné panely, ďalej všetky spotrebiče, ktoré nie sú vybavené prívodným elektrickým káblom zakončeným vidlicou. Zapojenie spotrebiča je službou hradenou zákazníkom. Dovozca nezodpovedá za poškodenie vzniknuté chybnou inštaláciou a chybným zapojením výrobku.

c) Záruka vyplývajúca z týchto záručných podmienok môže byť uplatnená iba na území Slovenskej republiky a týka sa len a výhradne spotrebičov dovezených do SR prostredníctvom našej spoločnosti, BEKO Slovakia s.r.o., Suché mýto 1, 811 03 Bratislava, ktorá je oficiálnym zastúpením značky BEKO pre Slovenskú republiku.

d) Záruka je poskytovaná kupujúcemu (konečnému spotrebiteľovi) v súlade so zákonom č. 634/1992 Zb., o ochrane spotrebiteľa v platnom znení, na výrobok slúžiaci bežnému používaniu v domácnosti. Výrobok nie je určený k priemyslovému používaniu a poskytovaniu služieb. Spotrebiče, ktoré nie sú používané v domácnosti, nie sú predmetom záruky (hotelové a reštauračné zariadenia, školské zariadenia, upratovacie firmy, atď...)

e) Práva za zodpovednosť za závady výrobku sa uplatňujú u predávajúceho. Záručná oprava sa vzťahuje výhradne na závady, ktoré vzniknú v dobe platnosti záručnej lehoty a to výrobnou vadou. Takto vzniknuté závady je oprávnený odstrániť iba autorizovaný servis.

O odstránení závad výrobku v záručnej lehote je kupujúci oprávnený požiadať predajcu alebo **Zákaznícke centrum BEKO tel: 0800 171 250 http://www.towdy.sk/beko/index.php?option=com_rsform&Itemid=3** .

f) Zákazník musí pri objednaní opravy nahlásiť dátum predaja, model spotrebiča, výrobné a produktové číslo, ktoré sa nachádza na výrobnom štítku každého spotrebiča. Bez nahlásenia týchto údajov nebude môcť byť požiadavka zákazníka na bezplatnú opravu vyriešená. Zákazník je ďalej povinný poskytnúť autorizovanému servisu súčinnosť potrebnú k overeniu existencie prípadne odstránenie reklamovanej závady.

g) Pri návšteve servisného technika kupujúci preukáže existenciu záruky predložením čitateľného predajného dokladu alebo certifikátu 5 rokov záruky BEKO. Po vykonaní záručnej opravy sú autorizované servisné strediská alebo predávajúci povinní vydať kupujúcemu čitateľnú kópiu opravného listu alebo doklad o uplatnení práva záruky a dobe trvania opravy. Po dobu záruky je kupujúci si povinný uschovávať všetky doklady súvisiace s kúpou a servisom výrobku. Opravný list slúži k preukazovaniu práv kupujúceho, preto je vo vlastnom záujme kupujúceho si skontrolovať pred podpisom všetky údaje. Záručná lehota sa v prípadoch, kedy závrada znemožnila používanie výrobku, predlžuje o dobu, kedy kupujúci uplatnil nárok na záručnú opravu u autorizovaného strediska až do dňa prevzatia opraveného výrobku.

h) Výrobok musí byť inštalovaný a používaný podľa návodu k obsluhu a platných noriem. Funkcia chladničiek, mrazničiek a iných kombinácií je zaručená pri teplote okolia od +10°C do +32°C.

i) Touto zárukou nie sú dotknuté práva kupujúceho, ktoré sa ku kúpe veci viažu podľa zvláštnych právnych predpisov.

j) Spoločnosť BEKO Slovakia s.r.o., Suché mýto 1, 811 03 Bratislava ponúka spotrebiteľom na vybrané modely **predlžené záruku v celkovej dĺžke trvania 5 rokov**. Predmetom tejto nadštandardnej záruky je bezplatné odstraňovanie výrobných závad po dobu nasledujúcich 36 mesiacov od skončenia zákonnej dvojročnej záručnej lehoty.

Podmienkou získania certifikátu predlženej záruky je splnenie všetkých podmienok uvedených na www.bekosk.sk.

O odstránení závad výrobku v predlženej záručnej lehote je kupujúci oprávnený požiadať **Zákaznícke centrum BEKO tel: 0800 171 250** http://www.towdy.sk/beko/index.php?option=com_rform&Itemid=3.

Pri opravě v rámci predlženej záruky je užívateľ povinný autorizovanému servisu predložiť platný certifikát predlženej záruky a predajný doklad.

V dobe trvania predlženej záruky bude oprávnená reklamácia riešená opravou alebo dodaním náhradného dielu. V prípade neodstrániteľnej závady zaistiť dovozca priamo u zákazníka výmenu výrobku za nový. Nárok na výmenu uplatňuje zákazník po zaslaní všetkých potrebných dokladov /platný certifikát, doklad o zakúpení, vyjadrenie servisného technika/ na e-mail: reklamacie.beko@bekosa.cz alebo poštou na adresu **BEKO s.r.o., Továrnská 532, 905 01 Senica**. Spotrebiteľ nemá právo v priebehu predlženej záruky na vrátenie kúpnej čiastky. Uplatnenie práva na bezplatné odstraňovanie výrobných závad podlieha týmto uvedeným všeobecným záručným podmienkam.

Právo na uplatnenie záruky zaniká ak:

- nie je výrobok používaný v súlade s návodom
- došlo k mechanickému poškodeniu výrobku cudzím zavinením, pri nesprávnej údržbe alebo iným zanedbaním starostlivosti o výrobok
- bol na výrobku urobený neodborný zásah neoprávnenou osobou
- plynové spotrebiče alebo spotrebiče s napájaním 400V neboli uvedené do prevádzky odbornou firmou
- došlo k mechanickému poškodeniu pri preprave
- je závrada spôsobená vonkajšími podmienkami, ako sú napr. poruchy v elektrickej sieti alebo vadná bytová inštalácia, nevhodnými prevádzkovými podmienkami, poškodenie žilvom
- je výrobok vadný z dôvodu použitia neoriginálneho príslušenstva a náhradných dielov
- kuchynská linka, do ktorej je výrobok zabudovaný, nespĺňa technické parametre
- záruka sa ďalej nevzťahuje na preventívnu údržbu popísanú v návode k obsluhu, poprípade závady spôsobené nevhodnou manipuláciou, na opotrebenie vzniknuté bežným používaním, mechanické poškodenie sklenených a plastových komponentov
- záruka sa nevzťahuje na návštevu technika za účelom poradenstva, preventívna kontrola stavu spotrebiča, výmena náhradného dielu, ktorý nevyžaduje odborný zásah, výmena smeru otvárania dverí chladničky




Palun lugege esmalt juhendit!

Lugupeetud klient!

Aitäh, et otsustasite Beko toote kasuks. Loodetavasti jääte selle kaasaegse tehnoloogia järgi valmistatud kvaliteetse toote tööga rahule. Selleks tutvuge enne toote kasutamist hoolikalt kasutusjuhendi ja kõigi kaasasolevate dokumentidega ja hoidke need alles. Kui annate toote üle uuele omanikule, pange kaasa ka kasutusjuhend. Järgige kõiki kasutusjuhendis toodud hoiatusi ja juhiseid.

Tähiste tähendused

Käesoleva juhendi erinevates jaotistes kasutatakse järgmisi tähisteid:

	Oluline teave ja kasulikud nõuanded.
	Hoiatused elu ja vara suhtes ohtlike olukordade kohta.
	Hoiatus tuliste pindade kohta.



Toode on valmistatud keskkonnasõbralikes kaasaegsetes tehastes loodust kahjustamata.

Seade vastab WEEE eeskirjadele.



See ei sisalda PCB-d.

Käesolev jaotis sisaldab ohutusjuhiseid, mis aitavad teil vältida tuleohtu, elektrilööke, kokkupuutumist lekkinud mikrolaineenergiaga, kehavigastusi ja varalist kahju. Nende juhiste eiramisel kaotab antud garantii kehtivuse.

1.1 Üldine ohutus

- Ärge proovige ahju käivitada ajal, mil selle uks on lahti - vastasel juhul võite kokku puutuda kahjuliku mikrolaine-energiaga. Turvalukke ei tohi eemaldada ega rikkuda.
- Ärge paigutage esemeid ahju esikülje ja ukse vahele. Ärge laske sulgivatele pindadele koguneda mustuse või puhastusvahendi jääke.
- Igasugused hooldustööd, mille käigus on vaja eemaldada mikrolaine-energia eest kaitsev kate, peab läbi viima volitatud isik/teenindus. Igasugune muu lähene mine on ohtlik.
- Teie toode on loodud kodus toidu küpsetamiseks, soojendamiseks ja sulatamiseks. Seda ei tohi kasutada ärilistel eesmärkidel. Toote valmistaja ei vastuta valesti kasutamisest põhjustatud kahjude eest.
- Ärge kasutage seda seadet välitingimustes, vannitubades, niisketes keskkondades ega kohtades, kus see võib märjaks saada.
- Valmistaja ei vastuta ega anna garantiisid kahjude osas, mis on põhjustatud seadme valesti või ebasobivatel eesmärkidel kasutamisest.
- Ärge proovige seadet lahti võtta. Valmistaja ei anna garantiisid kahjude osas, mis on põhjustatud seadme valesti kasutamisest.
- Kasutage ainult valmistaja poolt soovitatud originaalosi.
- Ärge jätke töötavat seadet järelvalveta.
- Kasutage seadet alati stabiilsel, lamedal, puhtal, kuival ja libisemiskindlal pinnal.
- Seadet ei tohi kasutada välise taimeri või eraldi kaugjuhtimissüsteemiga.
- Enne seadme esmakordset kasutamist puhastage kõik selle osad. Vaadake palun lähemalt jaotisest "Puhastamine ja hooldus".
- Kasutage seadet ainult ettenähtud eesmärkidel ja vastavalt käesolevale juhendile. Ärge kasutage seadmel abrasiivseid materjale ega auru.

See ahi on mõeldud spetsiaalselt toidu soojendamiseks ja küpsetamiseks. See ei ole tehtud tööstuslikuks või laboratoorseks kasutamiseks.

- Ärge kasutage seda seadet riiete või käterätikute kuivatamiseks.
- Seade muutub kasutamise ajal väga tuliseks. Hoiduge ahju sise-muses olevate tuliste osade puudutamisest.
- Teie ahi ei ole loodud ühegi elusolendi kuivatamiseks.
- Tühja ahju ei tohi käivitada.
- Soojendatud toidult nõudele üle kanduva soojuse mõjul võivad nõud kuumeneda. Nõude hoidmiseks võib vaja minna ahjukindaid.
- Nõude sobivust mikrolaineahjus kasutamiseks tuleb eelnevalt kontrollida.
- Ärge paigutage ahju pliidile või muule kuumust genereerivale pinnale. Vastasel juhul võib seade kahjustuda ja sellele antud garanti kaotada kehtivuse.
- Mikrolaineahju ei tohi paigutada kappi, mis ei vasta paigaldusjuhistes toodud nõuetele.
- Pärast toidu küpsetamist võib katte või fooliumi alt eralduda auru.

- Kasutage igasuguse soojendatud toidu väljavõtmisel kindaid.
- Seadme kasutamise ajal võib seade ise või mõni selle ligipääsetav pind olla väga kuum.
- Seadme kasutamise ajal võib selle uks ja välimine klaas olla väga kuum.

1.1.1 Elektriohutused

- Beko mikrolaineahi vastab kehtivatele ohutusstandarditele, seejärel tuleb alati, kui seadmel või selle toitejuhtmel esineb kahjustusi, vastav seade remontida või välja vahetada edasimüüja, teeninduskeskuse, spetsialisti või autoriseeritud teeninduse poolt, et igasugused ohud oleks välistatud. Puudulikud või oskamatud remonditööd võivad olla ohtlikud ja põhjustada ohtusid ka kasutajale.
- Veenduge, et teie toitevool vastab seadme andmesildil toodud andmetele.
Ainus viis seadme vooluvõrgust eemaldamiseks on toitejuhtme pistiku välja võtmine kontaktist.
- Kasutage seadet ainult koos maandatud pistikupesaga.

- Ärge kasutage seadet, kui toitejuhe või seade ise on kahjustatud.
- Ärge kasutage seda seadet pikendusjuhtmega.
- Ärge puudutage seadet või selle pistikut niiske või märja käega.
- Paigutage seade nii, et pistikule oleks alati võimalik ligi pääseda.
- Toietjuhtme kahjustumise vältimiseks hoiduge selle pigistamisest, murdmisest või hõõrumisest vastu teravaid servi. Hoidke toitejuhe eemal kuumadest pindadest ja lahtisest tulest.
- Veenduge, et ei oleks toitejuhtme kogemata tõmbamise või selle taha komistamise ohtu seadme töötamise ajal.
- Enne iga puhastamist ja ajal, kui seadet ei kasutata, eemaldage toitejuhe vooluvõrgust.
- Seadme eemaldamiseks vooluvõrgust ärge sikutage toitejuhet, samuti ärge mähkige toitejuhet ümber seadme.
- Ärge uputage seadet, toitejuhet ega kontakti vette ega ühtegi muusse vedelikku. Ärge hoidke neid ka jooksva vee all.
- Kui kuumutate toitu plast- või paberanumates, kontrollige ahju regulaarselt, sest need võivad süttida.
- Enne mikrolaineahjus kasutamiseks sobivate paber- või kilekotide paigutamist ahju, eemaldage traadid ja/või metallidetailid.
- Kui näete suitsu, lülitage seade välja või eemaldage vooluvõrgust ja hoidke uks suletuna, et vältida süttimise võimalus.
- Ärge kasutage ahju sisemust millegi hoiustamiseks. Ärge jätke paberesemeid, toiduvalmistamismaterjale ega toitu ahju sisse ajaks, mil ahju ei kasutata.
- Söötmisspudeleid ja imikutoidupurke tuleb enne tarbimist segada või raputada ja nende temperatuuri kontrollida, et vältida põletusi.
- See on grupi 2 klass B ISM seade. Gruppi 2 kuuluvad kõik ISM (tööstuslikud, teaduslikud ja meditsiinilised) seadmed, kus raadiosageduslik energia on tahtlikult loodud ja/või kasutatakse elektromagnetilist kiirgust materjali töötlemiseks ja sädeerosioon seadmeid.

- Klass B seadmed on seadmed, mis sobivad kasutamiseks koduses majapidamises ja on otse ühendatud madalpinge-toitevõrgustikku.
- Seadme uks või välispind võib kasutamise käigus kuumeneda.

1.1.2 Toote ohutu kasutamine

- Vedelikke ega muid toiduaineid ei tohi kuumutada kinnises anumask, sest sellega kaasneb plahvatuse oht.
- Jookide kuumutamisel mikrolaineahjus võib jook pärast ahjust välja võtmist loksutamisel keema minna, seepärast olge anumate käes hoidmisel ettevaatlikud.
- Ärge praadige ahjus midagi. Kuum õli võib kahjustada ahju materjale ja osi, ning võib põhjustada naha põletust.
- Paksu koorikuga toiduainetele, nagu kartulid, suvikõrvitsad, õunad ja kastanid tuleb augud sisse teha.
- Seade peab olema paigutatud nii, et selle tagaküljel on seinas.
- Kui uks või uksetihendid on kahjustatud, ei tohi ahju kasutada seni, kuni kvalifitseeritud isik on selle remontinud.

- Enne seadme liigutamist kinnitage pöördalus paigale, et vältida selle kahjustumist.
- Ärge kasutage mikrolaineahju toorete munade soojendamiseks ei koorega ega kooreta.
- Ärge eemaldage seadme taga ja külgedel asuvaid osi, mis tagavad minimaalse nõutud õhu ringluseks vajaliku vahemaa kapi seinte ja seadme vahel.

1.2 Ettenähtud otstarve

- Mikrolaineahi on ette nähtud kasutamiseks ainult sisseehitatud ahjuna.
- Ärge kasutage ahju ühelgi muul otstarbel peale ettenähtud kasutusala.
- Ärge kasutage seadet soojusallikana.
- Mikrolaineahi on mõeldud ainult toidu sulatamiseks, küpsetamiseks ja hautamiseks.
- Ärge küpsetage toitu üle - selle tagajärjeks võib olla tulekahju.
- Ärge kasutage seadme puhastamiseks auru abil töötavaid puhastusseadmeid.
- Ahju tuleb puhastada regulaarselt ja eemaldada kõik toidujäägid.
- Ahju pealispinna kohal peab olema vähemalt 20 cm vaba ruumi.

1.3 Laste ohutus

- Kui seadet kasutatakse laste või piiratud füüsiliste, sensoorsete või vaimsete võimetega isikute läheduses, on soovitatav olla äärmiselt ettevaatlik.
- Lapsed alates 8. eluaastast ja füüsilise, sensoorse või vaimupuudega isikud, samuti puudulike teadmiste ja kogemustega isikud tohivad seadet kasutada tingimusel, et nad teevad seda järelevalve all või neile on selgitatud seadme ohutut kasutamist ning mõistavad seadme kasutamise seotud ohte. Lapsed ei tohi seadmega mängida. Lapsed ei tohi ilma vanemate järelevalveta läbi viia seadme puhastamise ja kasutajahoolduse protseduure.
- Lämpumisoht! Hoidke pakkematerjale väljaspool laste käeulatus.
- Lapsed tohivad ahju kasutada ilma järelevalveta ainult juhul, kui neid on piisavalt juhendatud nii, et nad suudavad kasutada ahju ohutul viisil ja mõistavad väärkasutamisega seotud ohte.
- Suure kuumuse tõttu, mis tekib ahju kasutamisel grilli ja kombinieritud režiimis, tohivad lapsed neid režiime kasutada ainult täiskasvanu järelevalve all.

- Hoidke toodet ja selle toitejuhet kohas, kus see ei ole kättesaadav alla 8 aasta vanustele lastele.
- Seadme kasutamise ajal võib seade ise või mõni selle ligipääsetav pind olla väga kuum. Hoidke lapsed eemal.

1.4 WEEE direktiivi täitmine ja romuseadme kõrvaldamine:

Seade vastab Euroopa Liidu WEEE direktiivile (2012/19/EL). Seadmel on elektri- ja elektroonikaseadmete jäätmete (WEEE) liigiti kogumise tähis.



Seade on valmistatud kvaliteetsetest osadest ja materjalidest, mis sobivad ringlussevõtmiseks ja taaskasutamiseks. Ärge visake tarbetuks muutunud seadet tavalise olmeprügi ega muude jäätmete hulka. Viige see elektri- ja elektroonikajäätmete kogumispunkti. Kogumispunktide kohta saate täpsemat teavet kohalikust omavalitsusest.

1.5 RoHS-direktiivi täitmine:

Seade vastab Euroopa Liidu RoHS-direktiivile (2011/65/EL). See ei sisalda direktiivis mainitud kahjulikke ja keelatud materjale.

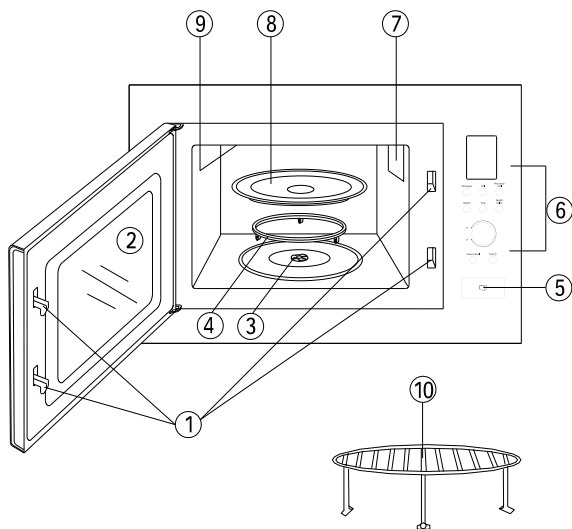
1.6 Teave pakendi kohta



Vastavalt meie riiklikule seadusandlusele on toote pakend valmistatud taaskasutatavatest materjalidest. Ärge visake pakkematerjale tavalise olmeprügi või muude jäätmete hulka. Viige need kohaliku omavalitsuse poolt määratud pakendikogumispunkti.

2 Teie mikrolaineahi

2.1 Ülevaade



1. Ukse turvaluku süsteem
2. Ahju aken
3. Pöördaluse telg
4. Pöördaluse tugi
5. Ukselukk
6. Juhtpaneel
7. Lainejuht (ärge eemaldage lainejuhti katvat vigukiviplaati)
8. Klaasalus
9. Grilli küttekeha
10. Grill

2.2. Tehnilised andmed

Energiatarve	230-240 V~50 Hz, 1400 W (Mikrolaineahi) 1000 W (Grill)
Väljundvõimsus	900 W
Töösagedus	2450 MHz
Välismõõdud	390 mm (K) X 595 mm (L) X 365 mm (S)
Ahju sisemõõdud	220 mm (K) X 340 mm (L) X 320 mm (S)
Ahju maht	23 liitrit
Netokaal	14,1 kg

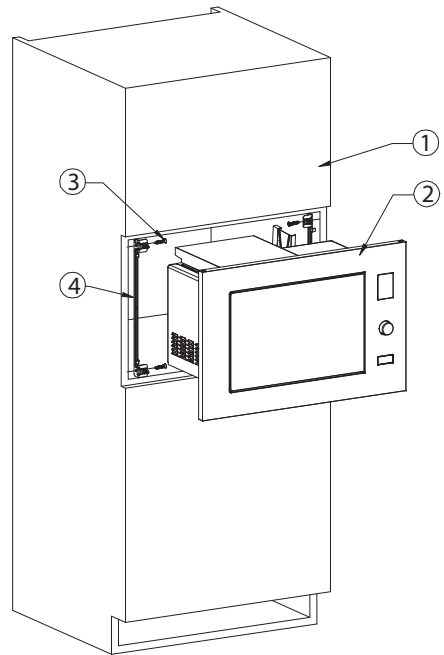
Toote märgistustel või kaasnevas dokumentatsioonis toodud väärtused on saadud laboritingimustes, järgides vastavaid standardeid. Need väärtused võivad muutuda sõltuvalt seadme kasutamisest ning keskkonningimustest. Võimsus on mõõdetud 240 V juures.

3 Paigaldamine

3.1. Paigaldamine

- Paigaldama peaks volitatud hoolduspersonal.
- Veenduge, et kõik sisemine pakkematerjal on eemaldatud.
- See seade tuleks asetada horisontaalsele pinnale, mis suudab kanda ahju raskust koos ahjus kúpsetatava kõige raskema toiduga.
- Ärge pange seadet märga või väga niiskesse kohta või tuleohtlike materjalide lähedusse.
- Ärge kasutage ahju paigutamata pöördlaua tuge õigesse asendisse.
- Veenduge, et toitekaabel ei ole kahjustatud, ei ole seadme all ega kuumade või teravate pindade kohal.
- Toitepesa peaks olema kergesti ligipääsetavas kohas, nii et hädaolukorras saate seadme kergesti vooluvõrgust lahutada.
- Ärge kasutage seadet väljas.

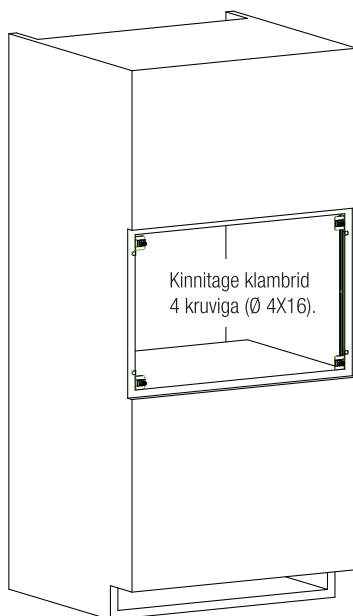
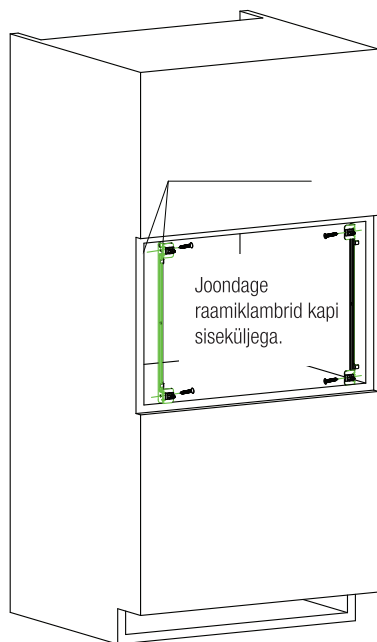
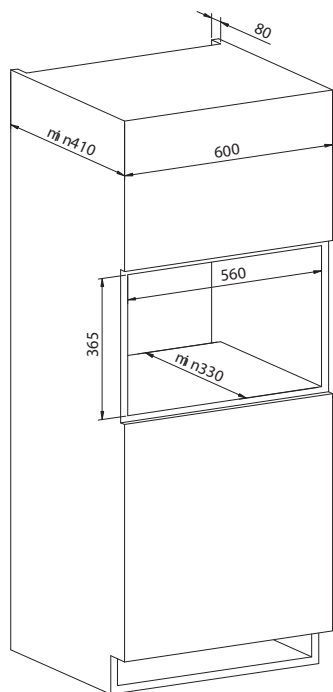
3.1.1 Paigalduskomplekt



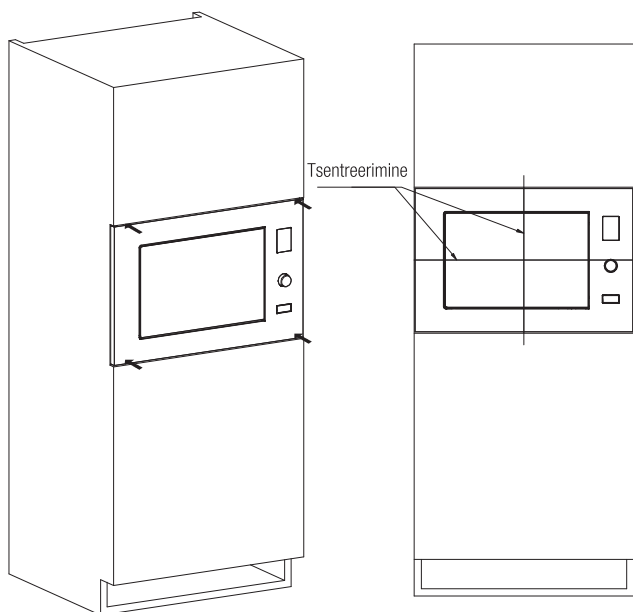
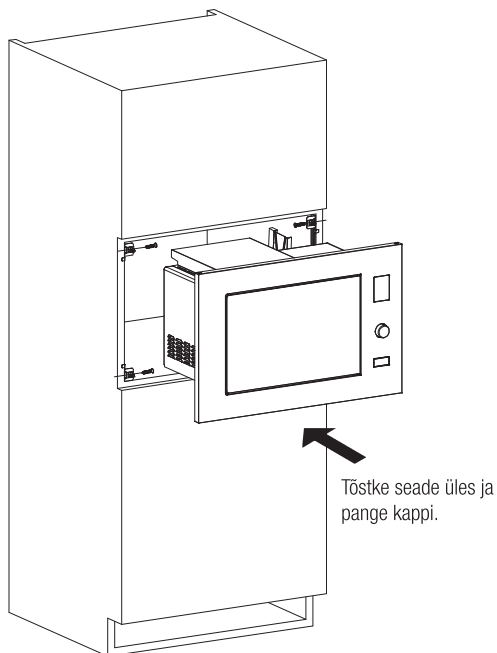
1. Kapp
2. Mikrolaineahi
3. \varnothing 4x16 kruvid (4 tk)
4. Kapi kinnitusklamber

3 Paigaldamine

3.1.2 Mikrolaineahju kapp



3 Paigaldamine



Pärast seadme paigaldamist kappi vajutage raami 4 nurgale, et klambri sakid sobituksid raamile.

3 Paigaldamine

3.2 Raadiohäiringud

Mikrolaineahju töötamine võib põhjustada raadio, televiisori ja muude sarnaste seadmete häiringuid. Häiringute esinemisel on võimalik neid vähendada või elimineerida järgmistel viisidel.

- Puhastage ahju uks ja tihendi pind.
- Muutke raadio või televiisori antenni asendit.
- Muutke ahju asendit vastuvõtja suhtes.
- Asetage seade vastuvõtjast eemale.
- Ühendage mikrolaineahi teise kontakti, nii et mikrolaineahi ja vastuvõtja saaks toidet erinevatest vooluliinidest.

3.3 Mikrolaineahjus toidu valmistamise reeglid

- Valmistage toit hoolikalt ette. Paigutage paksemad osad keedunõu ääre poole.
- Pöörake tähelepanu küpsetamisajale. Küpsetage kõige lühema määratud aja jooksul ja kui sellest jääb väheks, lisage küpsetusaega. Üleküpsetatud toit võib tekitada suitsu või süttida.
- Katke toit küpsemise ajaks kinni. Toidu kinnikamine aitab ära hoida pritsmeid ja tagada toidu ühtlase küpsemise.
- Selliste toitude nagu linnuliha või pihvide küpsetamisel mikrolaineahjus pöörake neid ümber, et nende valmimine oleks kiirem. Suuremaid toite, nagu näiteks praade, tuleb ümber pöörata vähemalt üks kord.
- Selliseid toite nagu näiteks lihapallid tuleb poole küpsemise ajal ümber pöörata ja liigutada nõu äärtes olevad pallid keskele ja vastupidi.

3.4 Maandamisjuhised

Seade tuleb kindlasti maandada Sellel ahjul on olemas maandusjuhe koos maanduspistikuga. Seade tuleb ühendada seinakontakti, mis on korrektselt paigaldatud ja maandatud.

Maandussüsteem tagab elektrivoolule lühise korral lekkejuhtme ja vähendab elektrilöögi ohtu. Soovitame kasutada ainult sellele ahjule ette nähtud toiteahelat. Töötamine kõrge pingega on ohtlik ja võib põhjustada tulekahju või muid ahju kahjustavaid õnnetusi.



HOIATUS! Maanduspistiku vale kasutamine võib põhjustada elektrilöögi.



Kui teil on maanduse ja elektriseadmete töö kohta küsimusi, konsulteerige palun kvalifitseeritud elektrikru või teenindustöötajaga.



Tootja ja/või edasimüüja ei vastuta vigastuste või ahju kahjustuste eest, mis võivad tekkida elektriühenduse eeskirjade eiramise tõttu.

Toitekaabli soonte värvikood on järgmine.

Roheline ja kollane = MAANDUS

Sinine = NULL

Pruun = FAAS

3.5 Ahjutarvikud

- Mikrolaineahjutarvikutele sobivad materjalid on mikrolaineid juhtivad materjalid, mis võimaldavad energial läbida ahjutarvikuid ja kuumutada toitu.
- Mikrolaine ei tungi läbi metalli, seetõttu ei tohi kasutada metallist või metallkaunistustega ahjutarvikuid.
- Ärge kasutage mikrolaineahjus küpsetamiseks taaskasutatud paberist tooteid, kuna need võivad sisaldada väikseid metallosakesi, mis võivad põhjustada sädemeid ja/või tulekahju.

3 Paigaldamine

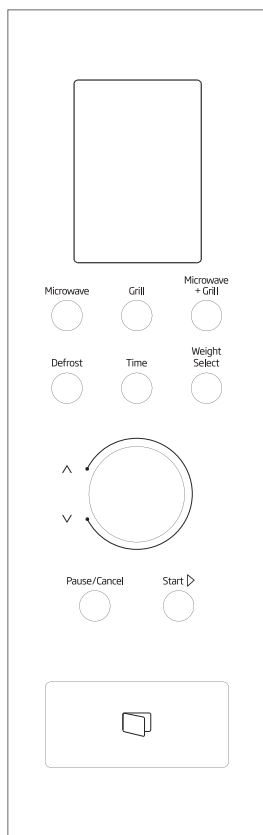
- Kandiliste keedunõude asemel on soovitatav kasutada ümmargusi/ ovaalseid nõusid, kuna nurkades võib toit üle kuumeneda.
- Mõnede toiduosade üleküpsemise vältimiseks võib kasutada kitsaid alumiiniumfooliumi ribasid. Olge siiski ettevaatlik! Ärge kasutage neid ülemäära palju ja hoidke fooliumiribad ja seadme sisepinnast vähemalt 2,5 cm (1 tolli) kaugusel.

Järgnev nimekiri on üldjuhul, mille abil saate valida õiged keedunõud.

Keedunõud	Mikrolaineahi	Grill	Kombinatsioon
Kuumuskindel klaas	Jah	Jah	Jah
Mitte-kuumuskindel klaas	Ei	Ei	Ei
Kuumuskindel keraamika	Jah	Jah	Jah
Mikrolaineahjus kasutamiseks sobiv plastknõu	Jah	Ei	Ei
Paberist kööginõud	Jah	Ei	Ei
Metallalus	Ei	Jah	Ei
Metallraam	Ei	Jah	Ei
Alumiiniumfoolium ja fooliumist tarvikud	Ei	Jah	Ei

4 Käitamine

4.1 Juhtpaneel



Menüütoimingute
kuva

Mikrolaineahi

Toiduvalmistamise taseme määramiseks mikrolaineahjus vajutage mõned korrad seda klahvi.

Grill

Grillimisprogrammi valimiseks vajutage seda klahvi.

Mikrolaineahi + grill

Toiduvalmistamise kombineeritud programmi valimiseks vajutage seda klahvi.

Sulatamine

Toidu sulatamiseks vastavalt selle kaalule vajutage seda klahvi.

Kuupäev/aeg

Aja seadmiseks vajutage seda klahvi

Kaalu valimine

Programmide korral, kus on vaja valida toidu kaal, vajutage seda klahvi.

Reguleerimisnupp

Keerake seda nuppu, et määrata kella-aeg, küpsetusaeg, menüü või kaal.

Kui keerata reguleerimisnuppu vastupäeva, valitakse automaatne toiduvalmistusfunktsioon.

Stopp/tühista

Seadistuse tühistamiseks või ahju lähtestamiseks enne toiduvalmistamise programmi seadistamist vajutage seda klahvi.

Vajutage seda klahvi üks kord, et peatada toiduvalmistamine ajutiselt või kaks korda, et see täielikult tühistada.

Seda kasutatakse ka lapseluku seadmiseks.

Käivitusklahv

Valitud toiduvalmistusprogrammi käivitamiseks vajutage seda klahvi.

Kui seda klahvi vajutada paar korda, hakkab ahi tööle täisvõimsusel.

30 sekundit iga vajutuse kohta.

4.2 Ahju juhtseadiste seadistamine

Seade annab seadistuste ajal helisignaali.

ÜKS PIIKS: Ahi on sisendi vastu võtnud.

KAKS PIIKSU: Ahi on sisendi tagasi lükanud. Kontrollige ja proovige uuesti.

4.2.1 Digikella seadistamine

Kui soovite seadme kella seada ajale 08:30.

- Ooterežiimis vajutage klahvi TIME/CLOCK (aeg/kell) 3 sekundit. Näidikule ilmub "Hr 12". 24-tunnise kella kasutamiseks vajutage veel kord klahvi TIME/CLOCK (aeg/kell).
- Pöörake reguleerimisnuppu ja seadke tundide jaotis 8-le.
- Vajutage klahvi "DURATION/TIME" (kestus/aeg) üks kord.
- Pöörake reguleerimisnuppu ja seadke minutite jaotis 8:30-le.

4 Käitamine

- Seadistuse kinnitamiseks vajutage üks kord klahvi DURATION/TIME (kestus/aeg).



Küpsetamise ajal saate seadistust kontrollida vajutades üks kord klahvi DURATION/TIME (kestus/aeg).

4.2.2 Toidu valmistamine mikrolaineahjus

Pikim küpsetusaeg mikrolaineahjus on 95 minutit. Võite seada võimsustaset, vajutades korduvalt klahvi MICROWAVE.

- Näiteks kui soovite küpsetada 5 minutit 60%-se mikrolaineahju võimsusega, toimige järgmiselt.
- Vajutage klahvi STOP/CANCEL (stopp/tühista).
- Võimsustaseme valimiseks vajutage korduvalt klahvi POWER LEVEL (võimsustase).

Näidik	Küpsetusvõimsus
P100	100%
P80	80%
P60	60%
P40	40%
P20	20%
P00	00%

- Keerake nuppu ADJUSTMENT (reguleerimine), kuni näidikul kuvatakse 5:00.
- Vajutage nuppu START.



Küpsetamise ajal saate kontrollida toiduvalmistamise võimsust, vajutades klahvi MICROWAVE.



Kui küpsetamise/sulatamise aeg on lõppenud ja näidikul kuvatakse teade "End" (lõpp), annab ahi helisignaali; kustutage näidik, vajutades klahvi STOP/CANCEL (stopp/tühista) või avades ukse enne teise funktsiooni seadistamist. (Seda saab kasutada järgmiste küpsetusfunktsioonide jaoks.)

4.2.3 Kiirkäivitus

Seda funktsiooni kasutatakse ahju kiirkäivitamiseks. Pikim küpsetusaeg on 10 minutit. Küpsetusaja määramiseks ooterežiimis vajutage korduvalt kiiresti klahvi START; seade hakkab viivitamatata tööle täisvõimsusel.

4.2.4 Sulatamine vastavalt kaalule

Seade võib toitu sulatada sõltuvalt sisestatud kaalust. Pärast kaalu seadistamist seadistatakse automaatselt kestus ja sulatusvõimsus. Toidu kaal varieerub vahemikus 100 g kuni 1800 g. Kui soovite sulatada 600 g krevette, toimige järgmiselt.

- Asetage krevetid sulatamiseks seadmesse ja sulgege uks.
- Vajutage klahvi STOP/CANCEL (stopp/tühista).
- Vajutage üks kord klahvi DEFROST (sulata).
- Vajutage korduvalt klahvi WEIGHT SELECTION (kaalu valik), kuni näidikule ilmub 600 g.
- Vajutage nuppu START.



Sulatamisprotsessi ajal süsteem peatub ja annab helisignaali märku toidu ümberkeeramiseks; jätkamiseks vajutage klahvi START.

4.2.5 Küpsetamine järjekorras (mitmeotstarbeline toiduvalmistamine)

Saate oma seadmes programmeerida 3 automaatset toiduvalmistamist.

Oletame, et soovite seadistada järgmise küpsetusprogrammi:

1 min küpsetamist võimsustasemel 60%, ja 2 min. küpsetamist võimsustasemel 100%.

- Vajutage klahvi STOP/CANCEL (stopp/tühista).
- Vajutage korduvalt klahvi MICROWAVE, kuni näidikule ilmub kood P60.
- Keerake nuppu ADJUSTMENT (reguleerimine), kuni näidikul kuvatakse 1 min.

4 Käitamine

- Vajutage korduvalt klahvi MICROWAVE, kuni näidikule ilmub kood P100.
- Keerake nuppu ADJUSTMENT (reguleerimine), kuni näidikul kuvatakse 2 min.
- Vajutage nuppu START.



Mitmeastmelises toiduvalmistamise režiimis ei saa seada kiirkäivitust, menüüd ja sulatamist kaalu järgi. Ahju töötappe tähistavad asjakohased süttivad märgutuled.

4.2.6 Automaatne küpsetamine

Toitudele ja järgnevatele küpsetusrežiimidele ei ole vaja seada kestust või küpsetusvõimsust. Võite lihtsalt sisestada toidu tüübi ja selle toidu kaalu. Et tagada ühtlane küpsemine, peate küpsetamise keskel toitu keerama.

Näide. 400 g kala küpsetamine

- Vajutage klahvi STOP/CANCEL (stopp/tühista).
- Toidu koodi valimiseks keerake nuppu ADJUSTMENT (reguleerimine) vastupäeva. Näidikule ilmub valitud toidu sümbol.
- Vajutage korduvalt klahvi WEIGHT SELECTION (kaalu valik), kuni näidikule ilmub 400 g.
- Vajutage nuppu START.

Automaatse küpsetamise menüü

Kood	Toidu/küpsetamise režiim	Piima/kohvi ja kartulite puhul tuleks sisestada portsjonite arv, mitte toidu kaal.
A-1	Paisumais	Paisumaisi korral on ainult üks valik.
A-2	Piim/kohv (200 ml/ tass)	Automaatse küpsetamise tulemus sõltub sellistest teguritest nagu pinne kõikumine, toidu kuju ja suurus, teie oma võimsusvalik konkreetse toidu küpsetamisel ja isegi sellest, kui hästi olete toidu ahju paigutanud.
A-3	Köögivil	Kui tulemus teid ei rahulda, valige teile sobivam küpsetusaeg.
A-4	Kartul (230 g/tk)	
A-5	Pitsa	
A-6	Automaatne soojendus (g)	
A-7	Grillitud kana	
A-8	Grillitud steik	



Grillkana ja grillsteigi puhul annab programm signaali ja seejärel ootab, et te toitu keeraks. Pärast toidu keeramist võite programmi jätkamiseks vajutada klahvi START.

4.2.7 Grill

Pikim küpsetusaeg grillimise korral on 95 minutit.

- Näiteks oletame, et soovite küpsetada 5 minutit grillirežiimis.
- Vajutage klahvi STOP/CANCEL (stopp/tühista).
- Valige grillirežiim, vajutades üks kord grillikoodi.
- Keerake nuppu ADJUSTMENT (reguleerimine), kuni näidikul kuvatakse 5:00.
- Vajutage nuppu START.

4 Käitamine



Seadke programm ootele ja keerake toitu nii, et toidu mõlemad küljed oleksid grilli/kombineeritud küpsetusrežiimides ühtlaselt küpsetatud.

4.2.8 Kombinatsioon

Pikim küpsetusaeg kombineeritud küpsetamisel on 95 minutit.

- Näiteks oletame, et soovite küpsetada 12 minutit kombineeritud režiimis.
- Vajutage klahvi STOP/CANCEL (stopp/tühista).
- Valige järgnevast tabelist üks kombineeritud režiimistest, vajutades kaks või kolm korda klahvi Microwave+Grill.
- Keerake nuppu ADJUSTMENT (reguleerimine), kuni näidikul kuvatakse 12:00.
- Vajutage nuppu START.

Klahvi Microwave+ Grill vajutuste arv	Kombinatsioon	Küpsetuskestus	
		Mikrolaineahi	Grill
2X	Co-1	30%	70%
3X	Co-2	55%	45%

4.2.9 Lapselukk

Kasutage seda funktsiooni, et takistada lastel seadet järelevalveta kasutada. Kuvatakse lapselukusümbolit ja kui lapselukk on seatud, ei saa seadet kasutada.

Lapseluku seadmiseks toimige järgmiselt. Kui ahi on ooterežiimis või eelseadistusrežiimis, vajutage ja hoidke 3 sekundi jooksul all klahvi STOP/CANCEL; kostab helisignaal ja ilmub lukustussümbol. Kõik klahvid on lukustusrežiimis deaktiveeritud.

Tühistamine. Hoidke klahvi STOP/CANCEL all 3 sekundit, kuni lukustussümbol näidikul kustub.

5 Puhastamine ja hooldus

5.1 Puhastamine



HOIATUS! Ärge kasutage seadme puhastamiseks bensiini, lahustit, abrasiivseid puhastusvahendeid, metallesemeid ega tugevaid harju.



HOIATUS! Ärge uputage seadet ega selle toitejuhet vette ega ühtegi muusse vedelikku.

- Lülitage seade välja ja eemaldage seinakontaktist.
- Oodake, kuni seade on täielikult maha jahtunud.
- Hoidke ahju sisepind puhtana. Kui toiduprismed ja mahavoolanud vedelikud kleepuvad ahju seintele, pühkige need ära niiske riidelapiga. Kui ahi on väga must, võib kasutada pehmetoimelist pesuvahendit. Ärge kasutage pihusteid või muid tugevatoimelisi puhastusvahendeid, sest need võivad jätta plekke ja läbipaistmatuid laike ukse pinnale.
- Ahju välispinda tuleb puhastada niiske riidelapiga. Masina sisemiste osade kahjustamise vältimiseks ei tohi lasta veel sattuda õhutussavadesse.
- Pritseteme ja mahavoolanud vedelikust jäänud plekkide eemaldamiseks pühkige ukse ja klaasi mõlemaid pooli, ukse kinnitusi ja nende läheduses asuvaid alasid regulaarselt niiske lapiga. Ärge kasutage abrasiivseid puhastusvahendeid.
- Vältige juhtpaneeli märjakssaamist. Puhastage pehme niiske lapiga. Et vältida seadme soovimatut käivitumist juhtpaneeli puhastamise käigus, jätke ahju uks puhastamise ajaks lahti.
- Kui ahjuukse siseküljele või ümbrusesse kondenseerub aur, pühkige see pehme riidelapiga ära. See võib juhtuda siis, kui mikrolaineahju kasutatakse suure õhuniiskuse tingimustes. See on tavapärane.
- Mõnel puhul võib osutuda vajalikuks klaasaluse eemaldamine puhastamiseks. Peske alust sooja seebiveega või nõudepesumasinas.
- Rullikurõngast ja ahju sisepõhja tuleb liigse müra vältimiseks regulaarselt puhastada. Piisab ahju põhjapinna pühkimisest pehme-toimelise puhastusainega. Rullikurõngast võib pesta sooja seebivee või nõudepesuvahendiga. Kui eemaldate rullikurõnga puhastamiseks ahju sisepõhjal, veenduge hiljem, et paigaldate selle tagasi õiges asendis.
- Ahjust halbade lõhnade eemaldamiseks asetage ahju klaasitäis vett koos ühe sidruni mahla ning koortega, pannes need sügavasse, mikrolaineahjus kasutamiseks sobivasse kaussi, ja käivitage ahi viieks minutiks mikrolaineahju režiimis. Pühkige põhjalikult ja kuivatage pehme riidelapiga.
- Kui ahju tuli vajab vahetamist, võtke palun ühendust volitatud teenindusega.
- Ahju tuleb puhastada regulaarselt ja eemaldada kõik toidujäägid. Kui ahju ei hoita puhtana, võib see põhjustada pinnadefekte, mis võivad mõjutada negatiivselt seadme elutsükli ja olla ohtlikud.
- Ärge visake kasutuks muutunud seadet tavalise olmeprügi hulka - vanad ahjud utiliseeritakse spetsiaalsetes kohaliku omavalitsuse poolt loodud jäätmekäitluskeskustes.
- Mikrolaineahju kasutamisel grillifunktsioonil võib eralduda väikeses koguses suitsu ja lõhna, mis teatud kasutusaja järel kaovad.

5.2 Ladustamine

- Kui te ei kavatse seadet pika aja vältel kasutada, ladustage see hoolikalt.
- Veenduge, et seade on vooluvõrgust eemaldatud, maha jahtunud ja täiesti kuiv.
- Ladustage seade jahedas ja kuivas kohas.
- Hoidke seadet lastele kättesaamatus kohas.

5 Puhastamine ja hooldus

5.3 Käsitsemine ja transport

- Käsitsemise ja transportimise ajal kandke seadet originaalpakendis.
- Seadme pakend kaitseb seda füüsiliste kahjustuste eest.
- Ärge asetage seadmele ega pakendile raskeid esemeid. Seade võib saada kahjustada.



Lūdzu, pirms lietošanas izlasiet šo rokasgrāmatu!

Dārgais pircēj,

Paldies, ka izvēlējāties Beko produktu. Mēs ceram, ka šis produkts, ka ražots ar jaunāko augstas kvalitātes tehnoloģiju, jums sniegs vislabākos rezultātus. Tāpēc, lūdzu, rūpīgi izlasiet šo rokasgrāmatu un visu pārējo dokumentāciju, pirms sākat lietot produktu, un paturiet to savā rīcībā, lai izmantotu arī nākotnē. Ja jūs nododat šo produktu kādam citiem, iedodiet arī šo rokasgrāmatu. Sekojiet visiem šīs rokasgrāmatas brīdinājumiem un informācijai.

Simbolu nozīme

Dažādās šīs rokasgrāmatas nodaļās tiek izmantoti šie simboli:

	Brīdina par bīstamu situāciju, kas saistīta ar apdraudējumu dzīvībai un īpašumam.
	Brīdina par karstu virsmu.



Šis produkts ir ražots apkārtējo vidi saudzējošos apstākļos.

Šī ierīce atbilst EEIA nolikumam.



Šis produkts nesatur polihlorētus bifenilus.

1 Svarīgi drošības un vides norādījumi

Svarīgi Drošības Norādījumi - Rūpīgi Izlasiet Un Paturiet, Lai Lietotu Nākotnē

Šī nodaļa satur drošības norādījumus, kas palīdzēs izvairīties no riska, kas saistīts ar ugunsgrēku, elektrisko šoku, saskari ar mikroviļņu starojuma noplūdi, savainojumiem un īpašuma bojājumiem. Šo norādījumu neievērošana anulēs preces garantiju.

1.1 Vispārēja drošība

- Mikroviļņu krāsns ir paredzēta ēdienu un dzērienu uzsildīšanai. Apģērba, sildīšanas paliktņu, čību, sūkļu, mitra auduma un līdzīgu lietu žāvēšana vai sildīšana var novest pie savainojumiem, uzliesmošanas vai ugunsgrēka.

Šo ierīci ir paredzēts izmantot māsaimniecībā un tai līdzīgos apstākļos, piemēram:

- Darbinieku virtuvēs, veikalos, birojos un citas darba vidēs;
- Viesnīcas viesu vajadzībām un citās dzīvojamās vidēs;
- B&B tipa apstākļos.

- Nemēģiniet ieslēgt krāsni, kad tās durtiņas ir atvērtas; pretējā gadījumā jūs varat tikt pakļauts kaitīgam mikroviļņu starojumam. Nedrīkst noņemt vai mainīt drošības slēdžus.

- Atstājiet brīvu telpu starp krāsns priekšpusi un durtiņām. Neļaujiet uzkrāties netīrumiem vai tīrīšanas līdzekļu paliekām uz durtiņu virsmas.

- Jebkāda apkope, kas ir saistīta ar mikroviļņu starojuma aizsega noņemšanu, jāveic pilnvarotām personām / pakalpojumu sniedzējam. Jebkāds citi risinājumi ir bīstami.

- Jūsu produkts ir paredzēts ēdiena pagatavošanai, uzsildīšanai un atsaldēšanai mājas apstākļos.

- Neizmantojiet šo ierīci ārpus mājas, vannasistabā vai mitrā vidē, vai apstākļos, kur tā var kļūt mitra.

- Ražotājs neuzņemsies atbildību un nepildīs garantiju par bojājumiem, kas radušies nepareizas vai nepiemērotas lietošanas rezultātā.

- Nekādā gadījumā nemēģiniet izjaukt šo ierīci. Netiek pildīta garantija par bojājumiem, kas radušies nepareizas lietošanas rezultātā.

- Lietojiet tikai oriģinālās vai ražotāja ieteiktās rezerves daļas.
- Neatstājiet šo ierīci nepieskatītu, kamēr tā tiek lietota.
- Izmantojiet ierīci tikai uz stabilas, plakanas, sausas un neslidošas virsmas.
- Neizmantojiet ārēju pulksteņa taimerī vai atsevišķu tālvadības sistēmu.
- Notīriet ierīci, pirms to sākat lietot. Lūdzu, skatiet detalizētu informāciju, kas sniegtā nodaļā "Tīrīšana un apkope".
- Lietojiet ierīci tikai tai paredzētajam nolūkam, kas aprakstīts šajā rokasgrāmatā. Neizmantojiet abrazīvas ķīmiskās vielas vai tvaiku ar šo ierīci. Šī krāsns ir īpaši paredzēta ēdiena uzsildīšanai un pagatavošanai. Tā nav paredzēta rūpnieciskai lietošanai vai laboratorijas darbam.
- Neizmantojiet savu ierīci, lai žāvētu drēbes vai virtuves dvieļus.
- Lietošanas laikā ierīce kļūst ļoti karsta. Pievērsiet uzmanību, lai nepieskartos uzkaršušajām daļām mikroviļņu krāsns iekšienē.
- Jūsu mikroviļņu krāsns nav paredzēta dzīvību radību žāvēšanai.
- Nedarbiniet tukšu mikroviļņu krāsni.
- Ēdiena trauki var kļūt karsti, sildāmajam ēdienam uz tiem pārnesot siltumu. Jums var nākties izmantot krāsns cimodus, lai paņemtu traukus.
- Trauki ir jāpārbauda, lai pārlicinātos, ka tie ir piemēroti lietošanai mikroviļņu krāsni.
- Mikroviļņu krāsni nedrīkst novietot uz vārīšanas virsmas vai citām ierīcēm, kas rada siltumu. Pretējā gadījumā var rasties bojājumi, un garantija tiks anulēta.
- Mikroviļņu krāsni nedrīkst ievietot skapī, kas neatbilst instalācijas norādījumiem.
- Pievērsiet uzmanību tvaikam, pēc sildīšanas noņemot traukiem vāku.
- Izmantojiet cimodus, lai no mikroviļņu krāsns izņemtu jebkāda veida uzsildītu ēdienu.

1 Svarīgi drošības un vides norādījumi

- Lietošanas laikā visas ierīces virsmas var būt ļoti karstas.
- Durtiņas un ārējās stikla virsmas var būt ļoti karstas ierīces lietošanas laikā neizmantojiet mikroviļņu krāsni.
- Izmantojiet ierīci tikai ar zemētu kontaktligzdu.
- Nekādā gadījumā neizmantojiet ierīci, ja elektrības vads vai pati ierīce ir bojāta.
- Neizmantojiet šo ierīci ar pagarinātāja vadu.

1.1.1 Elektriskā drošība

- Ja elektrības padeves vads ir bojāts, tā aizvietošana ir jāveic ražotājam, tā pārstāvim vai līdzīgi kvalificētai personai, lai novērstu risku.
- Beko mikroviļņu krāsnis atbilst piemērojamās drošības standartiem; tāpēc, lai novērstu jebkādas draudus, ierīces vai elektrības vada bojājuma gadījumā remonta vai aizvietošanas darbs ir jāveic izplatītājam, servisa centram vai speciālistam un autorizētam pakalpojumu sniedzējam. Kļūdains vai nekvalificēts remonts var būt bīstams un lietotājam riskants.
- Pārliedzinieties, ka jūsu elektrības padeve atbilst informācijai, kas sniegta uz ierīces vērtējumu plates.
Vienīgais veids, kā atslēgt ierīci no elektrības padeves, ir izņemot kontaktdakšu no kontaktligzdas.
- Nekādā gadījumā nepieskarieties ierīcei vai kontaktdakšai ar mitrām vai slapjām rokām.
- Novietojiet ierīci tā, lai kontaktdakša būtu vienmēr pieejama.
- Lai novērstu bojājumus, nespiediet, nesalieciēt un nerīvējiet elektrības vadu pret asām malām. Pārliedzinieties, ka elektrības vads nav tuvu karstām virsmām vai atklātai liesmai.
- Pārliedzinieties, ka ierīces lietošanas laikā nevar nejauši izraut elektrības vadu vai pār to paklupt.
- Atvienojiet ierīci no strāvas, kas tā netiek lietota un pirms tīrīšanas.
- Neraujiet ierīces elektrības vadu, lai to atvienotu no elektrības padeves, un nekādā gadījumā netiniet elektrības vadu apkārt ierīcei.

1 Svarīgi drošības un vides norādījumi

- Nemērciet ierīci, elektrības vadu vai strāvas kontaktdakšu ūdenī vai citos šķidrumos. Neturiet to zem tekoša ūdens.
- Kad tiek sildīts ēdiens plastmasas vai papīra iepakojumā, pieskatiet krāsni aizdegšanās riska dēļ.
- Pārlicinieties, ka iepakojums ir piemērots izmantošanai mikroviļņu krāsnī.
- Pirms tos ievietot mikroviļņu krāsnī, ņemiet stieples un/vai metāla rokturus no papīra vai plastmasas maisiem, kas ir piemēroti lietošanai mikroviļņu krāsnī.
- Ja pamanāt dūmus, izslēdziet ierīci vai atvienojiet to no strāvas, ja tas ir droši, un turiet durtiņas aizvērtas, lai nosmacētu dūmus.
- Neizmantojiet mikroviļņu krāsni kā uzglabāšanas vietu. Neatstājiet mikroviļņu krāsnī papīra priekšmetus, ēdiena gatavošanas sastāvdaļas vai ēdienu, kad tā netiek lietota.
- Pirms lietošanas vēlams sakratīt vai samaisīt barošanas pudelīšu un bērnu ēdiena saturu, kā arī pārbaudīt temperatūru, lai novērstu apdegumu risku.
- Šī ierīce ir 2. grupas B klases RZM iekārta. 2. grupa ietver visas RZM (rūpnieciskās, zinātniskās un medicīniskās) iekārtas, kurās ar nolūku tiek radīts vai izmantots radio frekvences starojums elektromagnētiskās radiācijas veidolā, lai ar to apstrādātu materiālus un izmantotu elektroerozijas iekārtās.
- B klases iekārtas ir piemērotas izmantošanai mājāsaimniecībā un vidē, kam ir tieša piekļuve zemas voltāžas strāvas padeves tīklam.
- Lietošanas laikā durtiņas vai cita ārējā virsmas vienības var palikt karstas.

1.1.2 Produkta drošība

- Esiet uzmanīgi, no krāsns ņemot ārā dzērienus un ēdienu.
- Krāsnī nedrīkst izmantot cepamo eļļu. Karsta eļļa var sabojāt krāsns sastāvdaļas un materiālus, un pat radīt ādas apdegumus.
- Caurduriet ēdienu ar biezu mizu, piemēram, kartupeļus, kabačus, ābolus un kastaņus.
- Ierīce ir jānovieto tādā veidā, lai pakārpuse būtu pie sienas.

1 Svarīgi drošības un vides norādījumi

- Pirms ierīces pārvietošanas, lūdzu, cieši ievietojiet rotējošo pamatni, lai novērstu bojājumus.
- Olas čaumalās un veselas cieti vārītas olas nedrīkst sildīt mikroviļņu krāsnī, jo tās var uzsprāgt - pat pēc tam, kad sildīšana mikroviļņu krāsnī ir noslēgusies.
- Nekādā gadījumā nenoņemiet krāsns sānu un aizmugures daļas, kas nodrošina minimālo attālumu starp skapja sienām un ierīci, lai nodrošinātu nepieciešamo gaisa plūsmu.
- Virs krāsns virsmas jābūt vismaz 20 cm plašai brīvai telpai.
- Neizmantojiet ierīci mērķiem, kam tā nav paredzēta.
- Neizmantojiet ierīci kā sildītāju.
- Mikroviļņu krāsns ir paredzēta, lai izkausētu, pagatavotu un sutinātu tikai ēdienu.
- Nepārsniedziet ēdienu gatavošanas laiku; pretējā gadījumā jūs varat radīt ugunsgrēku.
- Ierīces tīrīšanā neizmantojiet tīrītājus, kas izmanto tvaiku.

1.2 Paredzētā lietošana

- **UZMANĪBU!** Ja ir bojātas durvis vai durvju blīves, krāsnī nedrīkst lietot, iekams nav veikts remonts, ko veikusi kvalificēta persona.
- **UZMANĪBU!** Personām, kas nav kompetentas, ir bīstami veikt jebkādu apkopi vai remontu, kas saistīts ar mikroviļņu starojuma aizsega noņemšanu.
- **UZMANĪBU!** Šķidrumu un ēdienu nedrīkst sildīt noslēgtos traukos, jo tie var uzsprāgt.
- Krāsns ir regulāri jātīra, noņemt jebkādas ēdiena paliekas.

1.3 Bērnu drošība

- Tiek ieteikta ārkārtīga piesardzība, lietojot ierīci bērnu un fiziski, sensori un mentāli ierobežotu personu klātbūtnē.
- Šo ierīci var izmantot bērni, kas ir 8 vai vairāk gadus veci, un cilvēki, kam ir ierobežotas fiziskās, sensorās un mentālās spējas, vai tādi, kam nav zināšanu un pieredzes, kamēr šos cilvēkus pieskata attiecībā uz drošu produkta izmantošanu vai dod nepieciešamos norādījumus, vai zina produkta lietošanas riskus. Bērni nedrīkst spēlēt ar ierīci.

1 Svarīgi drošības un vides norādījumi

- Bērniem nevajadzētu veikt tīrīšanas un apkopes darbus, ja vien viņus nevada viņu vecāki.
- Aizrīšanās risks! Turiet visus iepakojuma materiālus nost no bērniem.
 - Atļaujiet bērniem izmantot plīti bez pieskatīšanas tikai tad, kad doti nepieciešamie norādījumi, un bērns spēj droši izmantot mikroviļņu krāsni, saprotot briesmas, pie kā var novest nepareiza lietošana.
 - Pārmērīga karstuma dēļ, kas rodas grilēšanas un kombinācijas režīmos, bērniem nevajadzētu atļaut izmantot šos režīmus bez pieaugušo uzraudzības.
 - Novietojiet produktu un tā elektrības vadu tā, lai tas nebūtu pieejams bērniem, kas jaunāki par 8 gadiem.
 - Ierīce un tās pieejamās virsmas var kļūt ļoti karstas tās lietošanas laikā. Turiet bērnus drošā attālumā.

- Šo ierīci nav paredzēts lietot personām (ieskaitot bērnus), kam ir mazinātas fiziskās, sensorās un mentālās spējas, vai trūkst pieredzes un zināšanu, ja vien viņi netiek pieskatīti vai viņiem netiek dotas norādes attiecībā uz ierīces izmantošanu, ko sniedz persona, kas ir atbildīga par viņu drošību.

- Mazi bērni ir jāpieskata, lai pārliecinātos, ka viņi nespēlējas ar ierīci.

- **UZMANĪBU!** Atļaujiet bērniem izmantot plīti bez pieskatīšanas tikai tad, kad doti nepieciešamie norādījumi, un bērns spēj droši izmantot krāsni, saprotot briesmas, pie kā var novest nepareiza lietošana.

1.4 Atbilstība EEIA direktīvai un atkritumu izlietošanai:

Šis produkts atbilst ES EEIA direktīvai (2012/19/ES). Šis produkts satur klasifikācijas simbolu, kas norāda uz elektrisko un elektronisko iekārtu atkritumiem (EEIA).



Šis produkts ir ražots no augstas kvalitātes sastāvdaļām un materiāliem, kas var tikt atkārtoti izmantoti un ir piemēroti pārstrādei. Kad produkts ir beidzis kalpot, neizmetiet to kopā ar parastiem sadzīves un citiem atkritumiem. Nogādājiet to uz savākšanas vietu, kurā pārstrādei tiek pieņemtas elektriskās un elektroniskās iekārtas. Lūdzu, sazinieties ar savām vietējām iestādēm, lai uzzinātu par šādām savākšanas vietām.

1 Svarīgi drošības un vides norādījumi

1.5 Atbilstība RoHS direktīvai

Produkts, ko jūs iegādājāties, atbilst ES RoHS direktīvai (2011/65/EU). Tas nesatur kaitīgos un aizliegtos materiālus, kas minēti direktīvā.

1.6 Informācija par iepakojumu

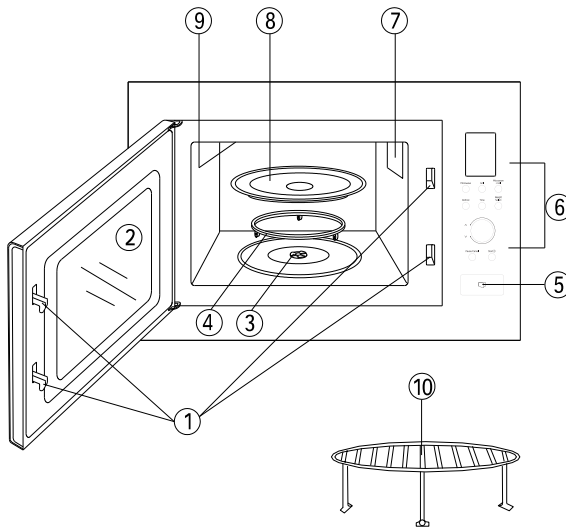


Iepakojuma materiāli ir ražoti no pārstrādātiem materiāliem saskaņā ar mūsu nacionālajām vides regulām.

Neizmetiet iepakojuma materiālus kopā ar sadzīves vai citiem atkritumiem. Nogādājiet tos uz iepakojuma materiālu savākšanas vietām, ko noteikušas jūsu vietējās iestādes.

2 Jūsu mikroviļņu krāsns

2.1. Pārskats



1. Durvju drošības bloķēšanas sistēma
2. Krāsns logs
3. Rotējošās pamatnes vārpsta
4. Rotējošās pamatnes balsts
5. Durvju atvēršanas atslēga
6. Vadības panelis
7. Viļņu vadotne (lūdzu, nenoņemiet vizlas plāksni, kas klāj viļņu vadotni)
8. Stikla pamatne
9. Grila sildītājs
10. Grils

2.2. Tehniskie dati

Energoapatēriņš	230-240 V~50 Hz, 1400 W (Microwave) 1000 W (grils)
Jauda	900 W
Darba frekvence	2450 MHz
Ārējie izmēri	390 mm (A) X 595 mm (P) X 365 mm (G)
Krāsns iekšējie izmēri	220 mm (A) X 340 mm (P) X 320 mm (G)
Krāsns ietilpība	23 litri
Neto svars	14,1 kg

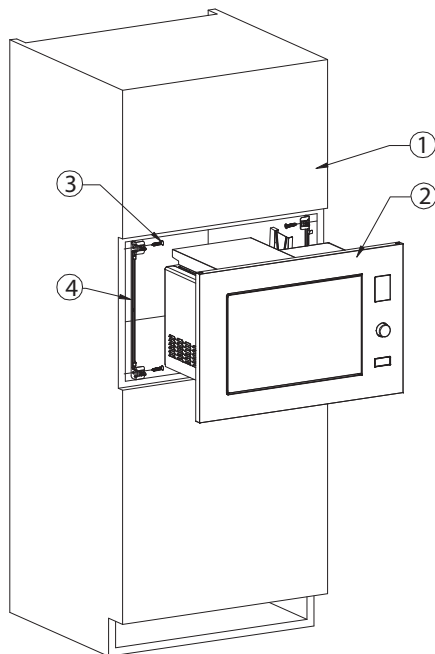
Marķējumi uz ierīces vai vērtības, kas minētas citos produkta dokumentos, ir vērtības, kas iegūtas laboratorijas apstākļos atbilstoši attiecīgajiem standartiem. Šie lielumi var mainīties atkarībā no ierīces lietošanas un apkārtējās vides apstākļiem. Jaudas vērtības ir testētas pie 240V.

3 Uzstādīšana

3.1. Uzstādīšana

- Uzstādīšanu veic autorizēts servisa personāls.
- Pārlicinieties, vai visi iepakojuma materiāli durvju iekšpusē ir noņemti.
- Šī ierīce jānovieto uz līdzenas virsmas, kas var noturēt krāsns svaru, kā arī smagāko ēdienu, ko var gatavot krāsni.
- Nenovietojiet ierīci mitrās vietās vai vietās ar augstu gaisa mitruma līmeni, vai uzliesmojošu materiālu tuvumā.
- Nedarbiniet krāsni, ja pagriešanas balsts nav novietots pareizajā pozīcijā.
- Pārlicinieties, vai strāvas kabelis nav bojāts un nav izvietots zem ierīces vai virs karstām, vai asām virsmām.
- Strāvas kontaktligzdai ir jābūt viegli pieejamai, lai ierīci avārijas gadījumā varētu viegli atvienot.
- Neizmantojiet ierīci ārpus telpām.

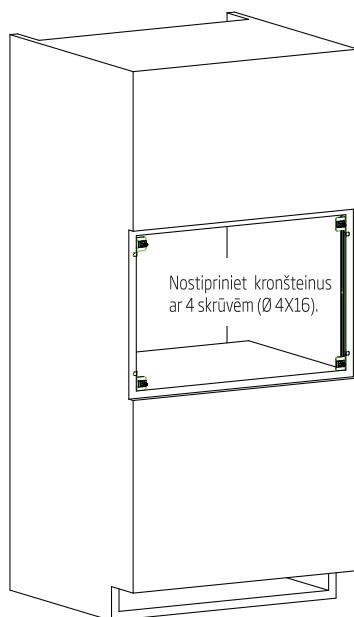
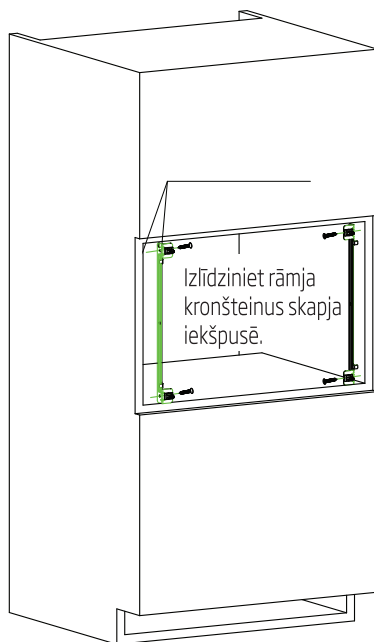
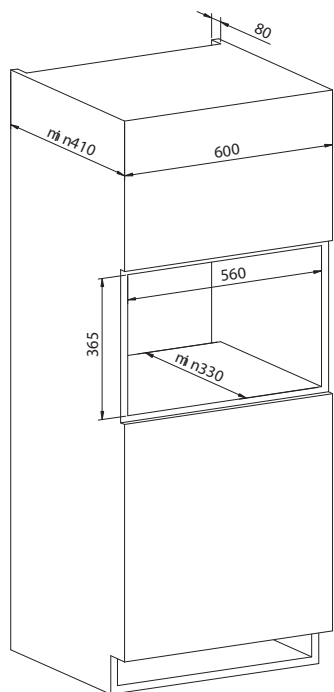
3.1.1. Uzstādīšanas komplekts



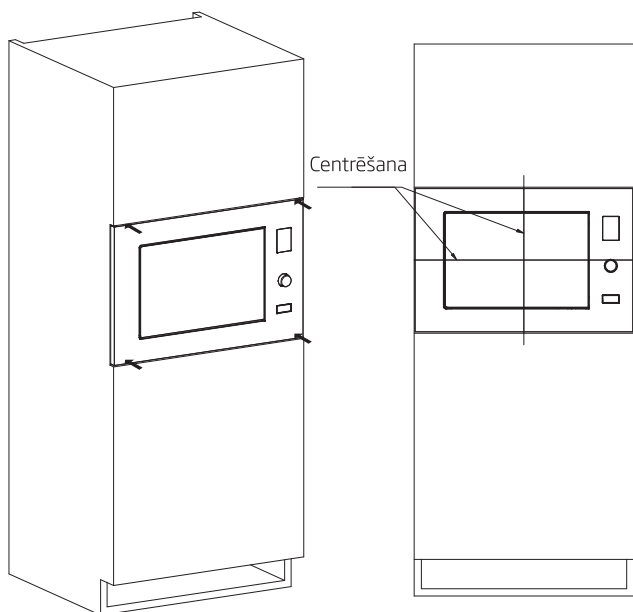
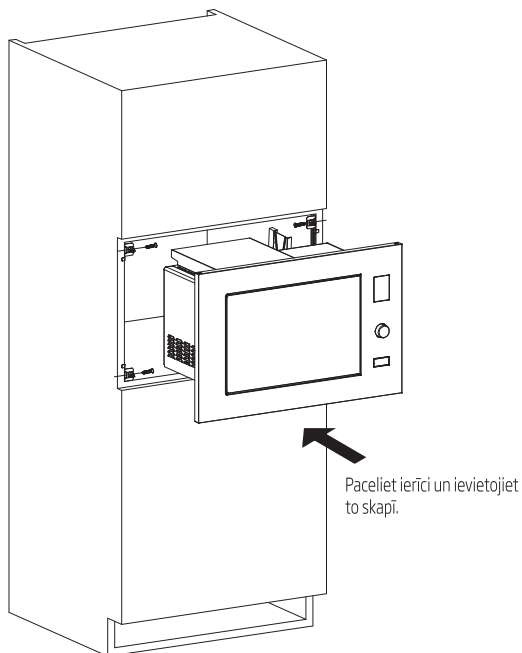
1. Skapis
2. Mikroviļņu krāsns
3. Ø 4x16 skrūves (4 gab.)
4. Skapja kronšteini

3 Uzstādīšana

3.1.2. Mikroviļņu krāsns skapis



3 Uzstādīšana



Pēc ierīces novietošanas skapī piespiediet rāmja 4 stūrus, lai kronšteina cilpas nostiprinātos uz rāmja.

3 Uzstādīšana

3.2. Radiofrekvences traucējumi

Mikroviļņu krāsns darbošanās laikā var radīt radio, televizora un līdzīgu ierīču darbības traucējumus. Traucējumus var samazināt vai novērst, veicot šos piesardzības pasākumus:

- Notīriet ierīces durvis un to blīvējošo virsmu.
- Mainiet radio vai televizora antenas virzienu.
- Novietojiet ierīci citā vietā atkarībā no uztvērēja novietojuma.
- Novietojiet ierīci tālāk no uztvērēja.
- Pievienojiet ierīci citai kontaktrozetei, lai mikroviļņu krāsns un uztvērējs būtu pieslēgti atšķirīgām līnijām.

3.3. Ēdiena gatavošana ar mikroviļņiem

- Gatavojiet ēdienu uzmanīgi. Biezākās daļas novietojiet ārpusē, tuvāk šķīvja malai.
- Ievērojiet gatavošanas ilgumu. Gatavojiet maltīti īsāko norādīto laiku, pēc vajadzības to mazliet pagarinot. Pārkaršēts ēdiens var sākt dūmot vai aizdegties.
- Gatavošanas laikā ēdienu vajadzētu pārsegt. Ja ēdiens ir pārsegts, tas neizšļakstās un tiek pagatavots vienmērīgi.
- Gatavojot mikroviļņu krāsnī vistas gaļu vai hamburgerus, vienu reizi apgrieziet ēdienu uz otru pusi, lai tas ātrāk uzsiltu. Lielākus ēdiena gabalus, piemēram, cepeti, jāapgriež uz otru pusi vismaz vienu reizi.
- Tādus ēdienus kā kotletes apgrieziet uz otru pusi gatavošanas posma vidū, un savstarpēji mainiet to novietojumu no centra uz šķīvja malu.

3.4. Sazemēšanas norādes

Šī ierīce noteikti ir jāsazemē. Šai ierīcei ir zemējuma kabelis ar sazemētu kontaktdakšu. Ierīci ir jāpievieno atbilstoši uzstādītai un sazemētais sienas kontaktrozetei.

Īsslēguma gadījumā zemējuma sistēma nodrošina strāvas aizpūšanu pa zemējuma kabeli un samazina elektrošoka risku. Šai ierīcei ir ieteicams izmantot elektrisko ķēdi, kas ir tai piemērota. Darbības ar augstspriegumu ir bīstamas un var izraisīt ugunsgrēku vai citus negadījumus, kas var sabojāt ierīci.



UZMANĪBU! Zemējuma kontaktrozetes nepareizs izmantojums var izraisīt elektrošoku.



Ja jums ir jautājumi par zemējumu un elektrības darbu instrukciju, sazinieties ar kvalificētu elektriķi vai tehniķi, vai apkopes personālu.



Ražotājs un/vai izplatītājs neuzņemsies atbildību par traumām vai krāsns bojājumiem, kas radušies elektroinstalācijas procedūras neievērošanas dēļ.

Strāvas kabeļa serdeniem ir šāds krāsu marķējums:

Zaļš un dzeltens = IEZEMĒJUMS

Ziļs = NEITRĀLS

Brūns = ZEMSPRIEGUMA

3.5. Krāsnij piemēroti trauki

- Ideāls materiāls mikroviļņu krāsns traukiem ir tāds, kas vada mikroviļņus, jo šie materiāli ļauj enerģijai plūst cauri krāsns traukiem un sildīt pārtiku.
- Mikroviļņi nevar iekļūt caur metāliem; tāpēc krāsnī nedrīkst izmantot metāla traukus vai traukus ar metāla elementiem.
- Gatavošanai mikroviļņu krāsnī nelietojiet izstrādājumus no atkārtoti pārstrādāta, jo tie var ietvert nelielas metāla daļiņas, kas var izraisīt dzirksteles un/vai uguni.

3 Uzstādīšana

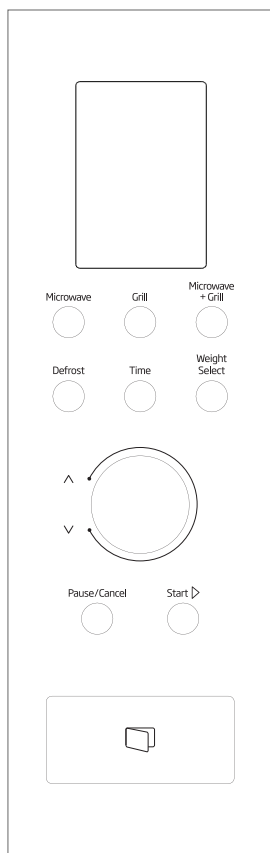
- Ieteicams izmantot apaļus/ovālus traukus, nevis kvadrāta/taisnstūra formas traukus, jo ēdiens stūros var pārkarst.
- Iespējams izmantot šauras alumīnija folijas lokšnes, lai eksponētie gabali nepārkarstu. Tomēr, lūdzu, esiet uzmanīgi! Nelietojiet to par daudz un saglabājiet 2,5 cm (1 collu) lielu atstarpi starp foliju un iekšējo ierīces virsmu.

Tālāk redzamais saraksts ir vispārējs ceļvedis, kas palīdzēs izvēlēties pareizos traukus.

Trauki gatavošanai	Mikroviļņu režīms	Grils	Kombinētais režīms
Karstumizturīgs stikls	Jā	Jā	Jā
Karstumneizturīgs stikls	Nē	Nē	Nē
Karstumizturīga keramika	Jā	Jā	Jā
Mikroviļņu krāsnij piemērots plastmasas šķīvis	Jā	Nē	Nē
Papīra trauki	Jā	Nē	Nē
Metāla paplāte	Nē	Jā	Nē
Metāla cepampļāte	Nē	Jā	Nē
Alumīnija folija un folijas trauki	Nē	Jā	Nē

4 Eksploatācija

4.1. Vadības panelis



Izvēlnes darbības displejs

Mikroviļņu režīms

Nospiediet šo taustiņu dažas reizes, lai iestatītu mikroviļņu gatavošanas līmeni.

Grils

Nospiediet šo taustiņu, lai izvēlētos grilēšanas programmu.

Mikroviļņu režīms + grils

Nospiediet šo taustiņu, lai izvēlētos vienu no kombinētajām programmām.

Atsaldēšana

Nospiediet šo taustiņu, lai atsaldētu ēdienu atkarībā no tā svara.

Datums / laiks

Nospiediet šo taustiņu, lai iestatītu laiku.

Svara atlase

Nospiediet šo taustiņu, lai izvēlētos svaru programmām, kurām nepieciešama svara atlase.

Regulēšanas poga

Pagrieziet šo pogu, lai iestatītu laiku, sagatavošanas laiku, izvēlni vai svaru.

Automātiskā gatavošanas funkcija tiek izvēlēta, pagriežot regulēšanas pogu pretēji pulksteņrādītāja virzienam.

Apturēt/atcelt

Nospiediet šo taustiņu, lai atceltu iestatījumu vai atiestatītu krāsni pirms gatavošanas programmas iestatīšanas.

Nospiediet taustiņu vienreiz, lai uz laiku pārtrauktu gatavošanu, vai divreiz, lai to pilnībā atceltu.

To izmanto arī bērnu aizsardzībai (bloķēšanai).

Palaides taustiņš

Nospiediet taustiņu, lai sāktu gatavošanas programmu.

Ja šis taustiņš tiek nospiests pāris reižu, krāsns darbosies ar pilnu jaudu.

30 sekundes katrai nospiešanas reizei.

4.2. Krāsns vadības iestatīšana

Regulēšanas laikā ierīce raida skaņas signālu.

VIENS PĪKSTIENS: Krāsns akceptē ievadi.

DIVI PĪKSTIENI: Krāsns noraida ievadi. Pārbaudiet un mēģiniet vēlreiz.

4.2.1. Digitālā pulksteņa iestatīšana

Ja vēlaties iestatīt ierīces laiku uz 08:30:

- Gaidstāves režīmā nospiediet un pieturiet 3 sekundes taustiņu TIME/CLOCK (Laiks/pulkstenis). Displejā parādīsies "Hr 12". Lai izmantotu 24 stundu pulksteni, nospiediet taustiņu TIME/CLOCK (Laiks/pulkstenis) vēlreiz.
- Pagrieziet pogu ADJUSTMENT (Regulēšana) un noregulējiet stundu segmentu uz 8.
- Vienu reizi nospiediet taustiņu "DURATION/TIME" (Ilgums/laiks).

4 Eksploatācija

- Pagrieziet pogu ADJUSTMENT (Regulēšana) un noregulējiet minūšu segmentu uz 8:30.
- Lai apstiprinātu iestatījumu, vienu reizi nospiediet taustiņu "DURATION/TIME" (Ilgums/laiks).



Jūs varat pārbaudīt laiku gatavojot, šim nolūkam vienu reizi nospiežot taustiņu "DURATION/TIME" (Ilgums/laiks).

4.2.2. Ēdiena gatavošana ar mikroviļņiem

Ilgākais mikroviļņu gatavošanas periods ir 95 minūtes. Jūs varat iestatīt jaudas līmeni, atkārtoti nospiežot taustiņu MICROWAVE (Mikroviļņi).

- Piemēram, ja vēlaties gatavot 5 minūtes ar 60% mikroviļņu jaudas:
- Nospiediet taustiņu STOP/CANCEL (Apturēt/atcelt).
- Atkārtoti nospiediet taustiņu POWER LEVEL (Jaudas līmeni), lai atlasītu jaudas līmeni.

Displejs	Gatavošanas jauda
P100	100%
P80	80%
P60	60%
P40	40%
P20	20%
P00	00%

- Pagrieziet pogu ADJUSTMENT (Regulēšana), līdz ekrānā redzams 5:00.
- Nospiediet taustiņu START (Palaide).



Jūs varat pārbaudīt gatavošanas laiku gatavošanas laikā, nospiežot taustiņu MICROWAVE (Mikroviļņi).



Kad gatavošanas/atsaldēšanas laiks ir beidzies un displejā redzams ziņojums "End" (Beigas), krāsns atskaņo skaņas signālu; Pirms citas funkcijas iestatīšanas notīriet displeju, nospiežot taustiņu STOP/CANCEL (Apturēt/atcelt) vai atverot durvis. (To var izmantot šādām gatavošanas funkcijām).

4.2.3. Ātrais starts

Šī funkcija tiek izmantota, lai ātri darbinātu krāsni. Ilgākais mikroviļņu gatavošanas periods ir 10 minūtes.

Lai iestatītu gatavošanas ilgumu atrodieties gaidstāves režīmā, ātri atkārtoti nospiediet taustiņu START (Palaide); ierīce nekavējoties sāks darboties ar pilnu jaudu.

4.2.4. Atsaldēšana pēc svara

Ierīce var atkausēt ēdienu atkarībā no ievadītā svara. Pēc svara iestatīšanas automātiski tiek iestatīts ilgums un atkausēšanas jauda. Ēdiena svars var būt no 100 g līdz 1800 g.

Ja vēlaties atkausēt 600 g gaļeļu:

- Novietojiet atkausējamās gaļeles ierīcē un aizveriet durvis.
- Nospiediet taustiņu STOP/CANCEL (Apturēt/atcelt).
- Vienu reizi nospiediet taustiņu DEFROST (Atkausēt).
- Atkārtoti nospiediet taustiņu WEIGHT SELECTION (Svara atlase), līdz ir attēloti 600 g.
- Nospiediet taustiņu START (Palaide).



Atkausēšanas procesa laikā sistēma uz brīdi apstājas un ar skaņas signālu jums atgādina, ka ēdiens jāapgriež; Lai turpinātu, nospiediet taustiņu START (Palaide).

4 Eksploatācija

4.2.5. Gatavošana rindas kārtībā (daudzfunkcionāla gatavošana)

Ierīcē var ieprogrammēt 3 automātiskās gatavošanas rindas.

Pieņemsim, ka vēlaties iestatīt šādu gatavošanas programmu:

1 min gatavošana ar jaudas līmeni 60% un 2 min gatavošana ar jaudas līmeni 100%.

- Nospiediet taustiņu STOP/CANCEL (Apturēt/atcelt).
- Atkārtoti nospiediet taustiņu MICROWAVE (Mikroviļņi), līdz ekrānā tiek attēlots kods P60.
- Pagrieziet pogu ADJUSTMENT (Regulēšana), līdz ekrānā redzams 1 min.
- Atkārtoti nospiediet taustiņu MICROWAVE (Mikroviļņi), līdz ekrānā tiek attēlots kods P100.
- Pagrieziet pogu ADJUSTMENT (Regulēšana), līdz ekrānā redzams 2 min.
- Nospiediet taustiņu START (Palaide).



Funkcijas Ātrais starts, Izvēlne un Atsaldēšana pēc svara nevar iestatīt vairāku pakāpju gatavošanas režīmā. Lai norādītu krāsns darbības posmu, tiek iedegtas attiecīgās gaismas.

4.2.6. Automātiskā gatavošana

Pārtikas produktiem un tālāk norādītajam gatavošanas režīmam nav nepieciešams noteikt ilgumu vai gatavošanas jaudu. Jūs varat vienkārši ievadīt ēdiena veidu un šis pārtikas svaru. Iespējams, ka gatavošanas perioda vidū būs nepieciešams ēdianu apgriezt, lai panāktu vienmērīgu pagatavošanu.

Piemērs: 400 g zivs pagatavošana

- Nospiediet taustiņu STOP/CANCEL (Apturēt/atcelt).
- Pagrieziet pogu ADJUSTMENT (Regulēšana) pretēji pulkstenrādītāja virzienam, lai atlasītu ēdiena kodu. Atlasītais simbols izgaismosies ekrānā.

- Atkārtoti nospiediet taustiņu WEIGHT SELECTION (Svara atlase), līdz ir attēloti 400 g.
- Nospiediet taustiņu START (Palaide).

Automātiskās gatavošanas izvēlne

Kods	Ēdiens/gatavošanas režīms	Pienam/kafijai un kartupeļiem ir jāievada porciju skaits, nevis ēdiena svars. Popkornam ir tikai viena opcija. Automātiskās gatavošanas rezultāts ir atkarīgs no tādiem faktoriem kā sprieguma svārstības, ēdiena forma un lielums, jūsu konkrēto pārtikas produktu gatavošanas līmeņa izvēle un pat tā, cik pareizi jūs esat novietojis ēdianu ierīcē. Ja rezultāts nav apmierinošs, lūdzu, iestatiet pagatavošanas laiku atbilstoši savai izvēlei.
A-1	Popkorns	
A-2	Piens/kafija (200 ml krūze)	
A-3	Dārzeni	
A-4	Kartupeļi (230 g/gab.)	
A-5	Pica	
A-6	Automātiskā uzsildīšana (g)	
A-7	Grilēta vista	
A-8	Grilēts steiks	



Izvēloties opciju Grilēta vista vai Grilēts steiks, programma dos signālu un pēc tam ieturēs pauzi, lai atgādinātu, ka ēdiens ir jāapgriež. Kad ēdiens ir apgriezts, jūs varat nospiegt taustiņu START (Palaide), lai turpinātu programmu.

4 Eksploatācija

4.2.7. Grils

Ilgākais mikroviļņu gatavošanas periods grilēšanai ir 95 minūtes.

- Piemēram, ja vēlaties gatavot 5 minūtes grila režīmā.
- Nospiediet taustiņu STOP/CANCEL (Apturēt/atcelt).
- Atlasiet grila režīmu, vienu reizi nospiežot grila taustiņu.
- Pagrieziet pogu ADJUSTMENT (Regulēšana), līdz ekrānā redzams 5:00.
- Nospiediet taustiņu START (Palaide).



Jums ir jāaptur programma un ēdiens jāapgriež, lai abas tā puses tiktu pagatavotas vienmērīgi Grila/Kombinētajā gatavošanas režīmā.

4.2.8. Kombinētais režīms

Ilgākais mikroviļņu gatavošanas periods kombinētajā režīmā ir 95 minūtes.

- Piemēram, ja vēlaties gatavot 12 minūtes kombinētajā režīmā.
- Nospiediet taustiņu STOP/CANCEL (Apturēt/atcelt).
- Atlasiet vienu no tabulā esošajiem kombinētajiem režīmiem, divreiz vai trīs reizes nospiežot taustiņu Microwave + Grill (Mikroviļņi + Grils).
- Pagrieziet pogu ADJUSTMENT (Regulēšana), līdz ekrānā redzams 12:00.
- Nospiediet taustiņu START (Palaide).

Taustiņa Microwave + Grill (Mikroviļņi + Grils) nospiešanas reižu skaits.	Kombinētais režīms	Gatavošanas ilgums	
		Mikroviļņu režīms	Grils
2X	Co-1	30%	70%
3X	Co-2	55%	45%

4.2.9. Bērnu aizsardzība (bloķēšana)

Izmantojiet šo funkciju, lai novērstu bērnu darbību ar ierīci bez uzraudzības. Tiek parādīts bērnu bloķēšanas simbols, un ierīci nevar darbināt, ja ir iestatīta Bērnu bloķēšana.

Lai iestatītu: Kad ierīce atrodas gaidstāves vai iepriekšējās iestatīšanas režīmā, nospiediet un 3 sekundes pieturiet taustiņu STOP/CANCEL (Apturēt/atcelt); tiek atskaņots pīkstiens un izgaismots bloķēšanas simbols. Bloķēšanas režīmā visi taustiņi ir deaktivizēti.

Lai atceltu: Nospiediet un 3 sekundes pieturiet taustiņu STOP/CANCEL (Apturēt/atcelt) līdz bloķēšana simbols displejā nodzīst.

5 Tīrīšana un apkope

5.1. Tīrīšana



UZMANĪBU! Ierīces tīrīšanai nekādā gadījumā nelietojiet benzīnu, šķīdinātāju, abrazīvus tīrīšanas līdzekļus, metāla priekšmetus vai cietas sukas.



UZMANĪBU! Nekādā gadījumā nelegremdējiet ierīci vai tās spēka kabeli ūdenī vai citā šķidrumā.

1. Izslēdziet ierīci un atvienojiet to no elektrotīkļa.
2. Pagaidiet līdz ierīce pilnībā atdziest.
3. Krāsns iekšpusi uzturiet tīru. Ja ēdiens ir izšķakstījies vai izlijušais šķidrums ir pielipis pie ierīces sienām, noslaukiet ar mitru drānu. Ja ierīce ir ļoti netīra, varat izmantot maigu tīrīšanas līdzekli. Neizmantojiet izsmidzināmus līdzekļus vai spēcīgus tīrīšanas līdzekļus, jo tie uz durvīm var radīt pleķus, švīkas un padarīt stiklu mazāk caurspīdīgu.
4. Ierīces ārējās virsmas ir jātīra ar mitru drānu. Lai netiktu bojātas ierīces detaļas, nepieļaujiet ūdens iekļūšanu caur ventilācijas atvērumiem.
5. Lai notīrītu pāri pārnākušā un izšķakstītā ēdiena traipus, abas durvju puses un stiklu, durvju blīves un daļas, kas atrodas blakus blīvēm, notīriet no abām pusēm ar mitru drānu. Neizmantojiet abrazīvus tīrīšanas līdzekļus.
6. Vadības panelis nedrīkst kļūt mitrs. Notīriet ar mīkstu, mitru drānu. Atstājiet ierīces durvis atvērtas, lai, tīrot vadības paneli, nejauši neiedarbinātu krāsni.
7. Ja ierīces durvīs vai ap tām uzkrājas tvaiks, notīriet to ar sausu drānu. Tāda situācija var rasties, ja mikroviļņu krāsns darbojas ļoti mitrā vidē. Tas ir normāli.
8. Dažos gadījumos var nākties izņemt un notīrīt stikla pamatni. Nomazgājiet trauku siltā ziepjūdenī vai trauku mazgājamajā mašīnā.

9. Lai novērstu pārmērīgu troksni, rotējošo gredzenu un ierīces grīdu jātīra regulāri. Pietiek tikai noslaucīt apakšējo ierīces virsmu ar maigu tīrīšanas līdzekli. Griešanas gredzenu var mazgāt siltā ziepjūdenī vai trauku mazgājamajā mašīnā. Izņemot griešanas gredzenu no ierīces iekšējās pamatnes, lai to notīrītu, pārbaudiet, vai, noliekot to atpakaļ, tas ir pareizi novietots.
10. Lai likvidētu nepatīkamas smakas jūsu ierīcē, ievietojiet tajā glāzi ūdens, kas sajaukts ar citrona sulu un mizu, šķidrumu ielejot dziļā, mikroviļņu krāsni izmantojamā bļodā, un 5 minūtes darbiniet ierīci mikroviļņu režīmā. Rūpīgi to izslaukiet un nosusiniet ar sausu drānu.
11. Lai nomainītu ierīces lampu, sazinieties ar apstiprinātu servisu.
12. Ierīce ir regulāri jātīra un jānoņem ēdiena paliekas. Ja ierīce netiek uzturēta tīra, var rasties virsmas defekti, kas negatīvi ietekmēs ierīces kalpošanas laiku un var radīt riskus.
13. Neizmetiet šo ierīci pie sadzīves atkritumiem; vecās krāsni ir jānodod īpašos pašvaldību norādītos atkritumu centros.
14. Ja ierīci izmanto grila režīmā, var rasties nedaudz dūmu un smaržas, kas pēc zināma lietošanas laika pazūd.

5.2. Glabāšana

- Ja ilgāku laiku neplānojat izmantot ierīci, uzglabājiet to rūpīgi.
- Pārbaudiet, vai ierīces vads ir atvienots, tā ir atdzisusi un pilnībā sausa.
- Glabājiet ierīci vēsā un sausā vietā.
- Novietojiet ierīci bērniem nepieejamā vietā.

5.3. Pārvietošana un transportēšana

- Pārvietojiet un transportējiet ierīci tās oriģinālajā iepakojumā.
- Ierīces iepakojums pasargā to no fiziskiem bojājumiem.
- Nelieciet uz ierīces vai iepakojuma smagus priekšmetus. Ierīce var tikt bojāta.

Перед використанням ознайомтеся з посібником!




Шановний покупцю,

дякуємо за вибір продукції Beiko! Ми сподіваємося, що Ви отримаєте найкращі результати від використання продукту, який вироблено за допомогою високоякісних матеріалів і найсучасніших технологій. Саме тому просимо Вас уважно та повністю прочитати цей посібник користувача та всю іншу супроводжувальну документацію перед використанням продукту і зберігати посібник для використання у майбутньому. Передавати продукт іншій особі необхідно разом із посібником користувача. Дотримуйтесь всіх попереджень і візьміть до уваги інформацію, надану в посібнику користувача.

Пам'ятайте, цей посібник користувача може також використовуватися для інших моделей. Відмінності між моделями чітко описані в посібнику.

Значення символів

Наступні символи використовуються у різних розділах даного посібника користувача:

	Важлива інформація або корисні рекомендації щодо використання.
	Попередження щодо небезпечних ситуацій стосовно безпеки життя та майна.
	Попередження щодо гарячої поверхні.



Товар виготовлено на екологічно нешкідливому сучасному обладнанні, без нанесення шкоди навколишньому середовищу.

Цей прилад відповідає вимогам Директиви щодо утилізації відходів електричного та електронного обладнання (WEEE).



Не містить ПХБ.

Важливі інструкції з техніки безпеки: уважно ознайомтеся і збережіть для подальшого використання

Цей розділ містить інструкції з техніки безпеки, дотримання яких дозволить виключити ризик виникнення пожежі, ураження електричним струмом, впливу витоків мікрохвильового випромінювання, отримання інших травм або заподіяння матеріальної шкоди. При недотриманні даних інструкцій всі гарантійні зобов'язання анулюються.

1.1 Загальні правила техніки безпеки

- Мікрохвильова піч призначена для розігрівання їжі та напоїв. Не слід сушити харчові продукти або одяг, а також нагрівати грілки, домашні капці, губки, вологі тканини та подібні предмети, оскільки це пов'язано з ризиком травмування, займання або пожежі.

Цей електроприлад призначений тільки для побутового та подібного застосування, а саме:

- в кухонних зонах для персоналу в магазинах, офісах та інших робочих приміщеннях;
- на фермах;
- в номерах готелів, мотелів і т. д.;
- в приміщеннях, що надаються для проживання на умовах напівпансіону.
- Не слід включати піч із відченими дверцятами; в іншому випадку на людину впливає шкідливе для здоров'я мікрохвильове випромінювання. Забороняється відключати або самостійно модифікувати запобіжні пристрої.
- Між лицьовою стороною і дверима печі не повинні знаходитися сторонні предмети. Необхідно стежити за тим, щоб на дотичних поверхнях дверцят і корпусу не накопичувався бруд або залишки м'якочого засобу.
- Роботи з обслуговування печі, що передбачають демонтаж кришки, яка забезпечує захист від впливу мікрохвильового випромінювання, повинні проводитися уповноваженими фахівцями / сервісними центрами. Будь-яке інше втручання представляє потенційну небезпеку.

Важливі інструкції щодо техніки безпеки та охорони навколишнього середовища

- Виріб призначений для приготування, розігрівання і розморожування їжі в домашніх умовах. Забороняється використовувати виріб в комерційних цілях. Виробник не несе відповідальності за шкоду, отриману в результаті використання виробу не за прямим призначенням.
- Забороняється користуватися приладом на відкритому повітрі, у ванній кімнаті, в умовах підвищеної вологості або в місцях, де він може намокнути.
- Виробник не несе відповідальності та не реагує на гарантійні скарги з приводу збитків, спричинених неправильним використанням та неналежним поведінням із приладом.
- Ніколи не намагайтесь розібрати прилад. У разі несправності внаслідок неправильного поведіння з електроприладом гарантійні рекамації не приймаються.
- Використовуйте лише оригінальні деталі або деталі, рекомендовані виробником.
- Ніколи не залишайте електроприлад без нагляду.
- Завжди використовуйте прилад на стійкій, чистій, сухій та неслизькій поверхні.
- Можливість роботи із зовнішнім таймером або окремою системою дистанційного керування не передбачена.
- Перед першим використанням електроприладу протріть всі деталі. Детальну інформацію див. в розділі «Очищення та технічне обслуговування».
- Використовуйте даний електроприлад тільки за його прямим призначенням, як описано в цьому посібнику. Не використовуйте абразивні матеріали або пару для очищення даного електроприладу. Піч призначена, перш за все, для розігрівання і приготування їжі.
Вона не призначена для використання в промислових або лабораторних умовах.
- Забороняється використовувати електроприлад для сушіння одягу або кухонних рушників.
- Під час роботи електроприлад істотно нагрівається. Слідкуйте за тим, щоб не торкатися гарячих деталей всередині печі.

Важливі інструкції щодо техніки безпеки та охорони навколишнього середовища

- Піч не призначена для сушіння шерсті тварин.
- Забороняється вмикати порожню піч.
- Слід використовувати тільки той посуд, який придатний для мікрохвильових печей.
- Внаслідок передачі тепла від їжі, що розігрівається, посуд також може нагрітися. Для того, щоб вийняти з печі посуд, можуть знадобитися рукавички.
- Посуд слід перевірити на предмет його придатності до використання в мікрохвильових печах.
- Не встановлюйте піч на плити або інші нагрівальні прилади. В іншому випадку, можливе її пошкодження, що спричиняє анулювання гарантії.
- Забороняється розміщувати мікрохвильову піч в шафі, якщо вона не відповідає вимогам, викладеним в інструкціях по установці.
- При відкритті кришок або розкритті фольги після приготування їжі звідти може виходити пара.
- Для виймання розігрітої їжі скористайтеся рукавичками.
- Електроприлад і його доступні для дотику поверхні можуть сильно нагріватися в процесі використання.
- Дверцята та їх зовнішнє скло можуть сильно нагріватися в процесі використання печі.

1.1.1 Електрична безпека

- Якщо шнур електроживлення пошкоджено, його заміна повинна проводитися авторизованим сервісним центром або спеціалістом з аналогічною кваліфікацією.
- Мікрохвильові печі Веко відповідають чинним стандартам безпеки. У разі пошкодження електроприладу або шнура живлення, щоб уникнути небезпечних ситуацій, ремонт або заміна повинні проводитися дилером, сервісним центром, фахівцем або авторизованої службою. Неправильно або непрофесійно виконані ремонтні роботи можуть привести до ситуацій, небезпечних для користувача.
- Ваша мережа живлення повинна відповідати інформації, вказаній на табличці з технічними даними приладу.

Важливі інструкції щодо техніки безпеки та охорони навколишнього середовища

- Єдиний допустимий спосіб відключення приладу від електромережі — виймання вилки з розетки.
- Включайте прилад тільки в розетку із заземлюючим контактом.
 - В жодному разі не користуйтеся електроприладом, якщо шнур живлення або електроприлад пошкоджені.
 - Не використовуйте прилад з подовжувачем.
 - Ніколи не торкайтеся приладу або вилки вологими чи мокрими руками.
 - Розташуйте прилад таким чином, щоб вилка була завжди доступна.
 - Намагайтесь запобігати пошкодженню кабелю живлення: уникайте його стискання, згинання або контакту з гострими предметами. Не тримайте кабель живлення біля гарячих поверхонь та відкритого вогню.
 - Переконайтесь, що відсутня небезпека випадкового витягання кабелю або того, що хтось може спіткнутися об нього під час використання приладу.
 - Від'єднуйте прилад від електромережі перед чищенням, а також коли він не використовується.
 - Не тягніть за кабель живлення, щоб відключити електроприлад від електромережі, і ніколи не обертайте кабель живлення довкола приладу.
 - Не занурюйте прилад, кабель або вилку в воду чи будь-які інші рідини. Не тримайте електроприлад під проточною водою.
 - При розігріванні їжі в пластикових або паперових контейнерах необхідно контролювати роботу печі, оскільки можливе займання пакувальних матеріалів.
 - Перед тим як поміщати паперові або пластикові пакети в піч, необхідно переконатися в тому, що вони придатні для розігрівання в мікрохвильовій печі, і витягти з них дротяні елементи та/або металеві ручки.
 - При появі диму, вимкніть або відключіть прилад від джерела живлення і тримайте дверцята закритими, щоб уникнути займання.

Важливі інструкції щодо техніки безпеки та охорони навколишнього середовища

- Не використовуйте піч для зберігання будь-яких предметів. Не залишайте папір, продукти або їжу в печі, коли вона не використовується.
- Для запобігання опіків вміст пляшечок для годування і контейнерів із дитячим харчуванням перед вживанням слід перемішати або струсити, а також перевірити температуру.
- Даний електроприлад відноситься до обладнання ISM групи 2, клас В. До групи 2 відноситься обладнання ISM (промислове, наукове, медичне), в якому енергія радіовипромінювання навмисно генерується та/або використовується у вигляді електромагнітного випромінювання з метою обробки матеріалу; сюди ж відноситься електроерозійне обладнання.
- Обладнання класу В придатне до застосування в житлових приміщеннях і в приміщеннях, безпосередньо підключених до низьковольтної мережі електроживлення.
- При використанні дверцята або зовнішня поверхня приладу можуть сильно нагріватися.

1.1.2 Безпека пристрою

- При нагріванні напоїв в мікрохвильовій печі вони можуть закипіти і розплескатися після їх виймання з печі; необхідно бути обережним при поводженні з ємностями.
- Піч не призначена для обсмажування продуктів. Гаряча олія може пошкодити компоненти та матеріали печі, а також може стати причиною опіків шкіри.
- Харчові продукти з товстою шкіркою, такі як картопля, цукіні, яблука та каштани, перед приготуванням слід проколоти.
- Розташовувати електроприлад слід так, щоб його задня сторона була повернена до стіни.
- Перед тим як переміщати електроприлад, необхідно закріпити скляний піднос, що обертається, для запобігання його пошкодженню.
- Яйця в шкаралупі та зварені круто яйця не можна розігрівати в мікрохвильових печах, оскільки вони можуть вибухнути, навіть після припинення нагрівання.

- Забороняється знімати із задньої і з бічних стінок електроприладу деталі, що забезпечують проміжок, необхідний для циркуляції повітря між стінками шафи та електроприладом.
- **УВАГА!** Обслуговування або ремонт зі зняттям кришки, яка захищає від мікрохвильового випромінювання, становить небезпеку, якщо його виконує особа, яка не є кваліфікованим фахівцем.

1.2 Використання за призначенням

- Якщо не підтримувати чистоту електроприладу, його поверхня може втратити свої властивості, що може привести до скорочення терміну служби виробу та виникнення небезпечної ситуації.
- Очищення ущільнень печі та прилеглих деталей. Використовуйте гарячу мильну воду. Користуйтеся ганчіркою для миття посуду, не відтирайте, докладаючи надмірних зусиль. Забороняється використовувати для очищення металевий скребок або скребок для скла.
- **УВАГА!** При пошкодженні дверцят або їх ущільнень піччю користуватися не можна до тих пір, поки вона не буде відремонтована кваліфікованим фахівцем.
- **УВАГА!** Забороняється розігрівати рідини та інші харчові продукти в закритих контейнерах, оскільки вони можуть вибухнути.
- Очищення печі слід виконувати регулярно, відкладення їжі необхідно видаляти.
- Над верхньою поверхнею печі необхідно забезпечити простір мінімум 20 см.
- Використовуйте прилад виключно за призначенням.
- Не використовуйте прилад в якості джерела тепла.
- Мікрохвильова піч призначена для розморожування, приготування і тушкування виключно харчових продуктів.
- Не слід переварювати їжу, оскільки це може стати причиною пожежі.
- Не використовуйте парові очищувачі для очищення пристрою.

1.3 Безпека дітей

- Рекомендується проявляти особливу обережність під час використання пристрою біля дітей та осіб з обмеженими фізичними, сенсорними або розумовими можливостями.
- Даним електроприладом можуть користуватися діти у віці від 8 років і люди з обмеженими фізичними, сенсорними або розумовими можливостями, а також люди, що не мають потрібних знань і досвіду, якщо вони знаходяться під наглядом особи, відповідальної за безпечне використання виробу, отримали відповідні інструкції або розуміють супутні ризики. Не дозволяйте дітям гратися з приладом. Роботи з очищення та технічного обслуговування не можуть виконуватись дітьми, якщо за ними не наглядають дорослі.
- Небезпека задущення! Зберігайте пакувальні матеріали в недоступному для дітей місці.
- Дітям можна дозволяти самостійно користуватися піччю тільки після відповідного інструктажу, щоб дитина знала, як правильно використовувати мікрохвильову піч, і розуміла, що може трапитися при неправильному поводженні з електроприладом.
- Внаслідок того, що в режимі «гриль» і в комбінованому режимі піч виділяє багато тепла, дітям дозволяється використовувати ці режими тільки під наглядом дорослих.
- Виріб і його шнур живлення повинні бути недоступні для дітей молодше 8 років.
- Електроприлад і його доступні для дотику поверхні можуть сильно нагріватися в процесі використання. Не слід підпускати дітей до електроприладу.

Важливі інструкції щодо техніки безпеки та охорони навколишнього середовища

- Цей прилад не призначений для використання особами (у тому числі дітьми) з обмеженими фізичними, сенсорними або розумовими можливостями, або особами, які не мають відповідного досвіду чи знань з використання приладу, за винятком випадків, коли вони перебувають під наглядом або проінструктовані щодо використання приладу особою, що відповідає за їхню безпеку.
- Необхідно слідкувати, щоб діти не гралися з приладом.
- **УВАГА!** Дітям можна дозволяти самостійно користуватися піччю тільки після відповідного інструктажу, щоб дитина знала, як правильно використовувати піч, і розуміла, що може трапитися при неправильному поводженні з електроприладом.

1.4 Відповідність вимогам Директиви щодо утилізації відходів електричного та електронного обладнання (WEEE) і утилізація продукту:

Даний пристрій відповідає вимогам Директиви ЄС WEEE (2012/19/EU). Даний пристрій має класифікаційний знак утилізації відходів електричного та електронного обладнання (WEEE).



Цей продукт було виготовлено з використанням високоякісних деталей і матеріалів, які можуть бути використані повторно та придатні для вторинної переробки. Після закінчення

терміну служби пристрою не утилізуйте його разом із побутовими та іншими відходами. Доставте його до пункту прийому електричного та електронного обладнання для подальшої утилізації. Про місцезнаходження найближчого такого пункту прийому можна дізнатися у відповідних місцевих органах влади.

1.5 Відповідність вимогам Директиви ЄС щодо обмеження використання небезпечних речовин

Пристрій, який ви придбали, відповідає вимогам Директиви ЄС щодо обмеження використання небезпечних речовин (2011/65/EU). Він не містить шкідливих та заборонених речовин, вказаних у Директиві.

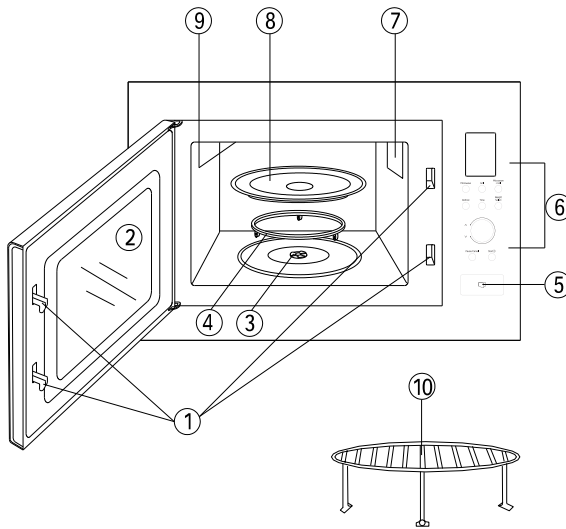
1.6 Інформація щодо пакувальних матеріалів



Пакувальні матеріали пристрою виготовлені з вторинної сировини у відповідності до Державних вимог охорони навколишнього середовища. Не утилізуйте пакувальні матеріали разом із побутовими та іншими відходами. Здавайте їх у спеціальні пункти прийому тари, споруджені місцевими комунальними службами.

2 Ваша мікрохвильова піч

2.1. Зміст



1. Система блокування дверей
2. Вікно духовки
3. Муфта
4. Роликова підставка
5. Кнопка відкриття дверей
6. Панель управління
7. Хвилевід (не виймайте слюдяну пластину, яка покриває хвилевід)
8. Скляна підставка
9. Нагрівач для грилю
10. Гриль

2.2. Технічні дані

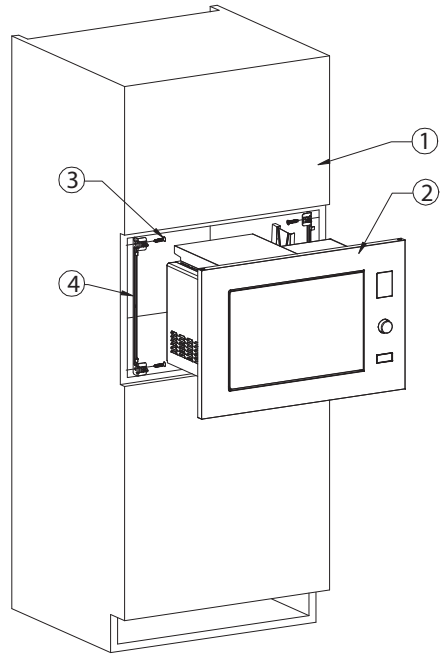
Споживання енергії	230-240 В ~ 50 Гц, 1400 Вт (мікрохвильова піч) 1000 Вт (гриль)
Продуктивність	900 Вт
Робоча частота	2450 МГц
Зовнішні розміри	390 мм (В) X 595 мм (Ш) X 365 мм (Д)
Внутрішні розміри духової печі	220 мм (В) X 340 мм (Ш) X 320 мм (Д)
Місткість духової шафи	23 літри
Маса нетто	14.1 кг

Позначення на приладі або значення, зазначені в інших документах, що постачаються разом із виробом, є значення, отримані в лабораторних умовах відповідно до стандартів. Ці значення можуть відрізнятися залежно від використання пристрою та умов навколишнього середовища. Значення потужності випробовуються при 240 Вт.

3.1. Встановлення

- Установка повинна виконуватися авторизованим сервісним персоналом.
- Переконайтеся, що вийнято всі пакувальні матеріали всередині.
- Цей пристрій слід розміщувати на рівній поверхні, яка може витримати вагу печі та найважчої їжі, яку можна приготувати у духовці.
- Не ставте прилад в місцях з вологістю або високою вологістю або поблизу легкозаймистих матеріалів.
- Не використовуйте духову шафу, не встановивши роликову підставку в правильне положення.
- Переконайтеся, що кабель живлення не пошкоджений і не знаходиться під приладом або поверх будь-яких гарячих або гострих поверхонь.
- Вимикач живлення повинен бути в доступному положенні, так, щоб ви мали змогу відключити прилад в разі надзвичайної ситуації.
- Не використовуйте прилад на відкритому повітрі.

3.1.1 Інсталяційний комплект

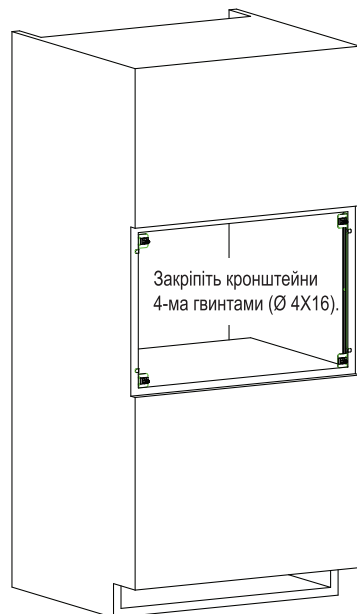
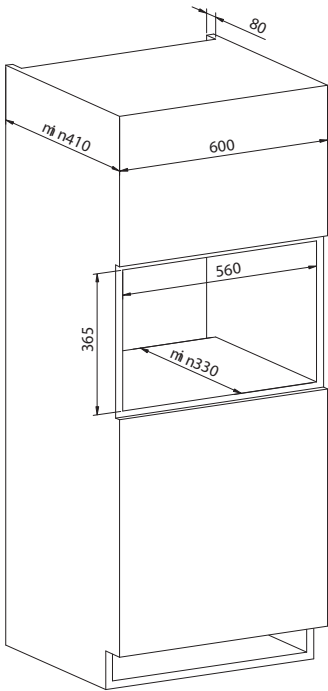


1. Шафа
2. Мікрохвильова піч
3. $\varnothing 4 \times 16$ Винти (4 шт.)
4. Кронштейн для підключення кабелю

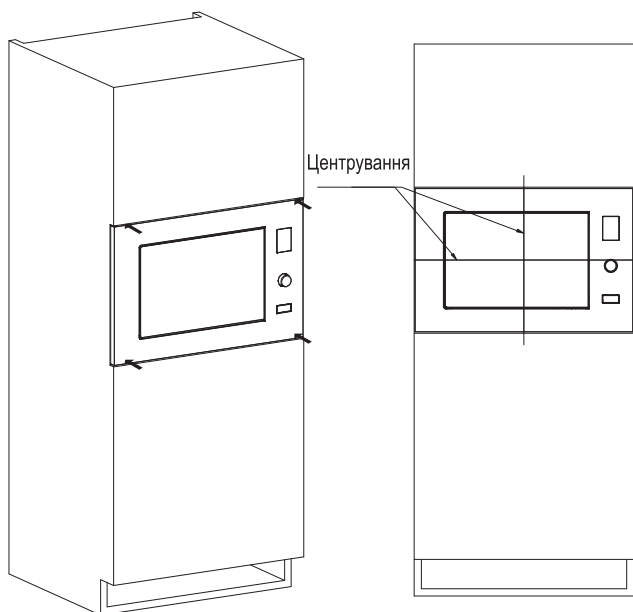
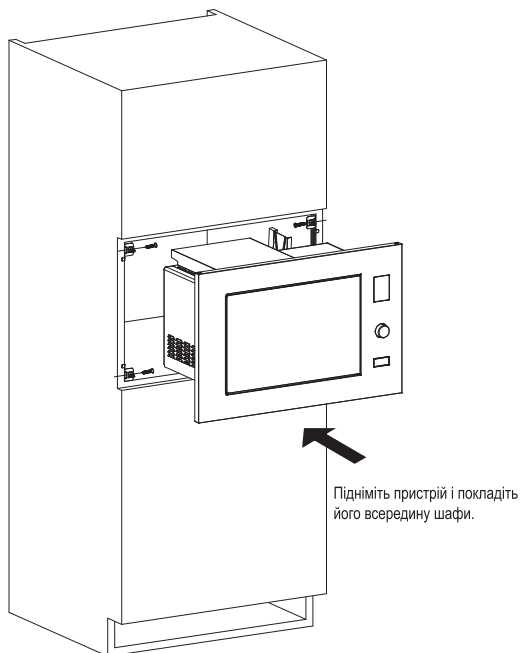
3

Встановлення

3.1.2 Шафа для мікрохвильової печі



3 Встановлення



Після розміщення приладу всередині корпусу натисніть на чотири кути рамки, щоб встановити засуви на кронштейнах, розташованих на рамі.

3.2 Радіоперешкоди

Робота мікрохвильової печі може призвести до перешкод для радіоприймачів, телевізорів та аналогічних приладів.

У разі будь-яких перешкод, їх можна зменшити або усунути, якщо вжити таких запобіжних заходів:

- Очистіть дверцята і ущільнювальну поверхню приладу.
- Налаштуйте напрямок антени радіо або телевізора.
- Перемістіть пристрій в залежності від місця розташування приймача.
- Вийміть прилад з приймача.
- Підключіть прилад до іншої розетки; таким чином, мікрохвильова піч і приймач знаходяться на різних лініях.

3.3 Принципи мікрохвильового приготування

- Обережно готуйте їжу. Покладіть товсті частини назовні посуду.
- Зверніть увагу на тривалість приготування. Готуйте їжу з найкоротшим терміном і додайте ще більше часу, якщо потрібно. Переготована їжа може спричинити дим або спалахнути.
- Накрийте їжу під час приготування. Накриття їжі запобігає розбризкуванню і допомагає забезпечити рівномірне приготування їжі.
- Переверніть продукти, такі як домашня птиця і гамбургери, коли ви готуєте їх в мікрохвильовій печі, щоб прискорити процес приготування цих продуктів. Велику їжу, таку як печеня, потрібно хоча б один раз перевертати.
- Переверніть продукти, такі як фрикадельки, в середині процесу приготування і перемістіть від центру тарілки до зовнішньої сторони.

3.4 Інструкції по заземленню

Цей прилад, безумовно, повинен бути заземлений. Цей прилад має заземлювальний кабель із заземленою виделкою. Прилад повинен бути увімкнений у розетку, яка правильно встановлена і заземлена.

Система заземлення дозволяє протіканню електричного струму в разі короткого замикання і знижує ризик ураження електричним струмом. Рекомендується використовувати електричний ланцюг, призначену для даного пристрою. Робота з високою напругою є небезпечною і може призвести до займання або іншим аварій, які можуть пошкодити прилад.



ПОПЕРЕДЖЕННЯ!

Неправильне використання заземлення може призвести до ураження електричним струмом.



Якщо у вас виникли питання щодо заземлення та електричних інструкцій, зверніться до кваліфікованого електричного спеціаліста або сервісної служби.



Виробник та / або дилер не несуть жодної відповідальності за ураження або пошкодження печі, які можуть виникнути, якщо не виконують процедури електричного підключення.

Сервери всередині силового кабелю мають кольорове маркування наступним чином:

Зелений та жовтий = ЗЕМЛЯ

Синій = НЕЙТРАЛЬНЕ

Коричневий = ФАЗА

3.5 Аксесуари для духовки

- Ідеальний матеріал для виробів мікрохвильової печі - це матеріали, які проводять мікрохвилі, ці матеріали дозволяють енергії проникати в духовку і дозволяють нагрівати їжу.

3 Встановлення

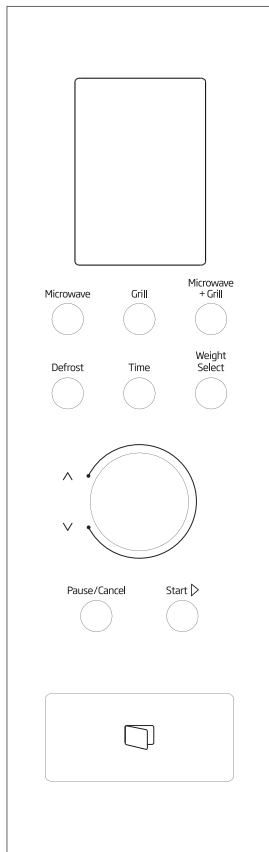
- Мікрохвиля не може проникати крізь метали; тому не можна використовувати метали або металеві прикраси в духовці.
- Не використовуйте перероблені паперові вироби для приготування у мікрохвильовій печі, так як вони можуть містити невеликі металеві деталі, які можуть викликати іскри та / або вогонь.
- Рекомендується використовувати круглі / овальні блюда замість квадратних / прямокутних, так як їжа на краях може бути перегріта.
- Ви можете використовувати вузькі стрічки з алюмінієвої фольги, щоб запобігти перегуванню страв. Однак, будьте обережні! Не використовуйте його надмірно і тримайте відстань 2,5 см (1 дюйм) між фольгою і внутрішньою поверхнею приладу.

Наступний список - це загальний посібник, який допоможе вам вибрати правильний посуд.

Посуд	Мікрохвильова піч	Гриль	Комбінація
Термостійке скло	Так	Так	Так
Не термостійке скло	Ні	Ні	Ні
Термостійка кераміка	Так	Так	Так
Пластикове блюдо, придатне для мікрохвильової печі	Так	Ні	Ні
Паперові кухонні приналежності	Так	Ні	Ні
Металева таця	Ні	Так	Ні
Металева підставка	Ні	Так	Ні
Вироби з алюмінієвої фольги та фольга	Ні	Так	Ні

4 Керування

4.1 Панель управління



Дисплей робочого меню

Мікрохвильова піч

Натисніть цю клавішу кілька разів, щоб встановити рівень мікрохвильового готування.

Гриль

Натисніть цю клавішу, щоб вибрати програму для гриля.

Мікрохвильова піч + гриль

Натисніть цю клавішу, щоб вибрати одну з комбінованих програм приготування.

Розморожування

Натисніть цю клавішу, щоб розморозити їжу відповідно до її ваги.

Дата / час

Натисніть цю клавішу, щоб встановити час.

Вибір ваги

Натисніть цю клавішу, щоб вибрати вагу для програм, що вимагають вибору ваги.

Ручка регулювання

Поверніть цю ручку, щоб встановити час, час приготування, меню або вагу.

Повертаючи регулятор регулювання проти годинникової стрілки, вибирається автоматична функція приготування їжі.

Зупинити / скасувати

Натисніть цю клавішу, щоб скасувати налаштування або перевстановити піч перед встановленням програми приготування.

Натисніть клавішу один раз, щоб припинити приготування їжі тимчасово або двічі, щоб повністю скасувати.

Вона також використовується для встановлення блокування від дитини.

Кнопка старт

Натисніть клавішу, щоб запустити програму приготування.

Якщо ця клавіша буде натиснута пару разів, піч буде працювати з повною потужністю.

30 секунд на кожне натискання.

4.2 Встановлення елементів керування духовкою

Прилад дає звуковий сигнал під час регулювання.

ОДИН ГУДОК: Духовка приймає вхід.

ДВА ГУДКИ: Духовка відкидає вхід. Перевірте і повторіть спробу.

4.2.1 Налаштування цифрового годинника

Якщо ви хочете встановити час роботи пристрою до 08:30:

- У режимі очікування натисніть клавішу ЧАС / ГОДИННИК протягом 3 секунд. На дисплеї з'явиться знак «Год 12». Щоб використати 24-х годинний годинник, натисніть кнопку ЧАС / ГОДИННИК ще раз.

4 Керування

- Поверніть регулятор РЕГУЛЮВАННЯ та встановіть годину на 8.
- Натисніть клавішу ТРИВАЛІСТЬ / ЧАС один раз.
- Поверніть регулятор РЕГУЛЮВАННЯ та встановіть хвилини на 8:30.
- Натисніть кнопку ТРИВАЛІСТЬ / ЧАС один раз, щоб підтвердити налаштування.



Ви можете перевірити час налаштування під час готування, натиснувши кнопку ТРИВАЛІСТЬ / ЧАС один раз.

4.2.2 Приготування у мікрохвильовій печі

Найдовша тривалість приготування мікрохвильової печі складає 95 хвилин. Ви можете встановити рівень потужності, натискаючи клавішу МІКРОХВИЛЬОВА ПІЧ кілька разів.

- Наприклад, якщо ви хочете готувати протягом 5 хвилин 60% мікрохвильової потужності:
- Натисніть кнопку СТОП / СКАСУВАТИ.
- Натискайте кнопку РІВЕНЬ ПОТУЖНОСТІ кілька разів, щоб вибрати рівень потужності.

Дисплей	Потужність приготування
П100	100%
П80	80%
П60	60%
П40	40%
П20	20%
П00	00%

- Поверніть регулятор РЕГУЛЮВАННЯ до 5:00 на екрані.
- Натисніть кнопку СТАРТ.



Ви можете перевірити готовність їжі, натиснувши клавішу МІКРОХВИЛЬОВА ПІЧ.



Духовка подає звуковий сигнал, коли завершується час готування / розморожування, а на дисплеї відображається повідомлення «Кінець»; очистіть дисплей, натиснувши кнопку СТОП / СКАСУВАТИ або відкривши дверцята перед тим, як встановити іншу функцію. (Його можна використовувати для наступних функцій приготування.)

4.2.3 Швидкий старт

Ця функція використовується для швидкої роботи печі. Найдовша тривалість готування становить 10 хвилин.

Щоб встановити тривалість приготування в режимі очікування, швидко натисніть клавішу СТАРТ, пристрій негайно розпочне роботу з повною потужністю.

4.2.4 Розморожування по вазі

Пристрій може розморожувати їжу залежно від введеної ваги. Після встановлення ваги автоматично встановлюється тривалість і розморожування. Маса харчових продуктів варіює від 100 г до 1800 г.

Якщо ви хочете розморозити 600 г креветок:

- Поставте креветки, що розморожуються, у прилад та закрийте дверцята.
- Натисніть кнопку СТОП / СКАСУВАТИ.
- Натисніть кнопку РОЗМОРОЖУВАННЯ один раз.
- Натискайте кнопку ВИБІР ВАГИ кілька разів, доки не відобразиться значення 600 гр.
- Натисніть кнопку СТАРТ.



Під час процесу розморожування система призупиняється та подає звуковий сигнал, який нагадує вам про те, що необхідно перевернути їжу; Натисніть клавішу СТАРТ, щоб продовжити.

4 Керування

4.2.5 Приготування їжі по черзі (багатофункціональне приготування)

Ви можете запрограмувати 3 автоматичних черги для приготування їжі на своєму приладі. Припустимо, що ви хочете встановити наступну програму приготування:

1 хв. приготування їжі на рівні 60% і 2 хв. приготування їжі на рівні потужності 100%.

- Натисніть кнопку **СТОП / СКАСУВАТИ**.
- Натискайте кнопку **МІКРОХВИЛЬОВА ПІЧ** кілька разів, поки на екрані не з'явиться код **П60**.
- Поверніть регулятор **РЕГУЛЮВАННЯ** поки на екрані не висвітиться знак **1 хв**.
- Натискайте кнопку **МІКРОХВИЛЬОВА ПІЧ** кілька разів, доки на екрані не з'явиться код **П100**.
- Поверніть ручку **РЕГУЛЮВАННЯ** поки знак **2 хв** відобразиться на екрані.
- Натисніть кнопку **СТАРТ**.



Швидкий старт, Меню та Розморожування за вагою не можна встановити в режимі багатоступеневого приготування. Щоб вказати робочу стадію духовки, будуть підсвічуватися відповідні вогні.

4.2.6 Автоматичне приготування їжі

Для продуктів харчування та в режимів приготування їжі не потрібно встановлювати тривалість або потужність приготування їжі. Ви можете просто ввести тип їжі та вагу цієї їжі. Вам, можливо, доведеться перевернути їжу в середині періоду готування, щоб досягти рівномірного приготування їжі.

Приклад: Приготування 400 гр. з риби

- Натисніть кнопку **СТОП / СКАСУВАТИ**.

- Поверніть регулятор **РЕГУЛЮВАННЯ** проти годинникової стрілки, щоб вибрати код харчування. Виділений символ на екрані буде висвітлено.
- Натискайте кнопку **ОБРАТИ ВАГУ** кілька разів, щоб ввести 400 г за вагою.
- Натисніть кнопку **СТАРТ**.

Меню автоматичного приготування їжі

Код	Продукти / режим приготування	Для молока / кави та картоплі слід ввести кількість порцій; не вагу продукту. Існує лише один варіант для попкорну. Результат автоматичного приготування їжі залежить від таких факторів, як коливання напруги, форма та розмір їжі, ваш особистий вибір на рівні готування їжі та навіть те, наскільки добре ви розмістили їжу в приладі. Якщо результат Вас не задовільнив, будь ласка, вкажіть час приготування більш відповідним чином для вашого вибору.
A-1	Попкорн	
A-2	Молоко / Кава (200 мл/чашка)	
A-3	Овочі	
A-4	Картопля (230 гр/шматків)	
A-5	Піца	
A-6	Автоматичне повторне нагрівання (г)	
A-7	Курка-гриль	
A-8	Стейк на грилі	



Для варіантів курки-гриль та стейку на грилі, програма подасть сигнал, а потім призупинить, щоб нагадати вам, що їжу потрібно перевернути. Після того, як ви повернули їжу, ви можете натиснути клавішу СТАРТ, щоб продовжити програму.

4.2.7 Гриль

Найдовша тривалість готування становить 95 хвилин для приготування гриля.

- Наприклад, припустимо, що ви хочете готувати протягом 5 хвилин у режимі гриля.
- Натисніть кнопку СТОП / СКАСУВАТИ.
- Виберіть режим гриля, натиснувши кнопку Гриль один раз.
- Поверніть регулятор РЕГУЛЮВАННЯ до 5:00 на екрані.
- Натисніть кнопку СТАРТ.



Ви повинні призупинити програму та перевернути їжу, щоб обидві сторони їжі рівномірно готувалися у режимі готування Гриль / Комбінація.

4.2.8 Комбінація

Найдовша тривалість готування становить 95 хвилин для комбінування.

- Наприклад, припустимо, що ви хочете приготувати 12 хвилин в режимі комбінування.
- Натисніть кнопку СТОП / СКАСУВАТИ.
- Виберіть один з комбінаційних режимів у таблиці нижче, двічі або тричі натисніть клавішу «Мікрохвильова піч + гриль».
- Поверніть регулятор Регулювання, поки на екрані з'явиться значок 12:00.
- Натисніть кнопку СТАРТ.

Кількість натискань клавіш для Мікрохвильової печі + Гриль	Комбінація	Тривалість приготування	
		Мікрохвильова піч	Гриль
2X	Комб-1	30%	70%
3X	Комб-2	55%	45%

4.2.9 Блокування від дітей

Використовуйте цю функцію, щоб запобігти недопустимим керуванням пристроєм дітьми. Якщо відображається символ блокування від дітей, то пристроєм не можна керувати у цьому режимі.

Щоб встановити: Коли духовка перебуває в режимі очікування або в режимі попереднього встановлення, натисніть і утримуйте кнопку СТОП / СКАСУВАТИ протягом 3 секунд; з'являється звуковий сигнал, і засвітиться символ замка. Всі клавіші деактивуються в режимі блокування.

Щоб скасувати: Натисніть та утримуйте кнопку СТОП / СКАСУВАТИ протягом 3 секунд, доки символ блокування на дисплеї не погасне.

5.1. Очищення



УВАГА! У жодному разі не використовуйте бензин, розчинник, абразивні засоби для чищення, металеві предмети або жорсткі щітки для очищення приладу.



УВАГА! У жодному разі не занурюйте прилад або кабель живлення у воду чи будь-які інші рідини.

1. Вимкніть прилад і від'єднайте його від розетки.
2. Зачекайте, поки прилад охолоне.
3. Внутрішні поверхні печі потрібно утримувати в чистоті. Бризки їжі або патьоки рідин із стінок печі потрібно витирати вологою тканиною. Якщо піч сильно забруднена, для її чистки можна використовувати м'який миючий засіб. Не використовуйте аерозолі та інші агресивні миючі засоби, так як від них можуть залишитися плями, сліди та вони можуть спричинити помутніння поверхні дверцял.
4. Зовнішні поверхні печі слід очищати вологою тканиною. Не допускайте потрапляння води у вентиляційні отвори, щоб запобігти пошкодженню внутрішніх компонентів печі, які знаходяться під напругою.
5. Дверцята і скло з обох сторін, а також дверні прокладки та деталі поруч з ними потрібно регулярно протирати вологою тканиною, щоб видалити плями та бризки від пролитої їжі. Не використовуйте абразивні миючі засоби.
6. Не допускайте попадання вологи на панель керування. Очищення рекомендується виконувати м'якою вологою тканиною. При очищенні панелі управління дверцяла печі потрібно залишати відкритою, щоб запобігти випадковому включенню печі.
7. Якщо всередині печі або навколо її дверцял присутній конденсат від пари, витріть його м'якою тканиною. Конденсат може утворюватись, якщо піч експлуатується в умовах високої вологості. Це цілком нормально.
8. В деяких випадках для очищення потрібно буде зняти скляний піднос. Піднос слід мити в теплій мильній воді або в посудомийній машині.
9. Роликів кільце та дно печі слід очищати, щоб уникнути надмірного шуму. Нижню поверхню печі достатньо протерти, використовуючи м'який миючий засіб. Роликів кільце слід мити в теплій мильній воді або в посудомийній машині. При знятті роликів кільця для його очищення необхідно запам'ятати його положення для правильної його установки в подальшому.
10. Щоб видалити неприємний запах з печі, налийте склянку води, додайте сік та покладіть шкірки лимону в глибоку ємність, придатну для використання в мікрохвильовій печі; увімкніть піч на 5 хвилин, поставивши її на мікрохвильовий режим. Потім ретельно витріть насухо м'якою тканиною.
11. Якщо потрібно замінити лампочку в печі, зверніться в авторизований сервісний центр.
12. Очищення печі слід виконувати регулярно, відкладення їжі необхідно видалити. Якщо не утримувати піч в чистоті, можуть виникнути дефекти поверхонь, що скорочують термін служби електроприладу; при цьому також підвищується ймовірність виникнення ризиків при експлуатації печі.
13. Електроприлад не можна утилізувати як побутові відходи; стару піч потрібно здати в спеціальну комунальну службу – центр збору відходів.

14. Якщо мікрохвильова піч використовується в режимі гриля, може з'явитися незначна кількість диму та специфічний запах, які зникають через деякий час експлуатації.

5.2. Зберігання

- Якщо ви збираєтесь тривалий час не використовувати прилад, зберігайте його дбайливо.
- Переконайтесь, що прилад від'єднаний від мережі, охолоджений та повністю сухий.
- Зберігайте прилад в прохолодному та сухому місці.
- Зберігайте прилад у недоступному для дітей місці.

5.3 Обробка та транспортування

- Під час обробки та транспортування тримайте пристрій в оригінальній упаковці.
- Упаковка пристрою захищає його від фізичних пошкоджень.
- Не розміщуйте великі навантаження на приладі або на упаковці. Пристрій може пошкодитися.

Vă rugăm să citiți mai întâi acest manual!

Stimate client,

Vă mulțumim pentru că ați ales un produs Beko. Sperăm să obțineți cele mai bune rezultate de la produsul dumneavoastră, care a fost fabricat la o calitate înaltă și cu tehnologii performante. În acest scop, vă rugăm să citiți cu grijă și în întregime acest manual de utilizare și toate celelalte documente însoțitoare înainte de a utiliza produsul și să le păstrați pentru consultări ulterioare. Dacă transmiteți produsul altei persoane, oferiți-i și manualul de utilizare. Respectați toate avertismentele și informațiile din manualul de utilizare.

Semnificația simbolurilor

Următoarele simboluri sunt utilizate în diverse părți ale acestui manual de utilizare:



Informații importante sau sfaturi utile privind utilizarea.



Avertismente pentru situații periculoase privitoare la siguranța vieții și a proprietății



Avertisment de suprafețe fierbinți.



Acest produs a fost fabricat în fabrici moderne prietenoase cu mediul înconjurător fără a dăuna naturii.

Acest produs este conform cu reglementarea WEEE.



Nu conține PCB.

Această secțiune conține instrucțiuni privind siguranța care vă vor ajuta împotriva riscului de incendiu, electrocutării, expunerii la scurgerea energiei microundelor, vătămările corporale și pagubele materiale. Nerespectarea acestor instrucțiuni invalidează garanția furnizată.

1.1 Siguranță generală

- Nu încercați să porniți cuptorul atunci când ușa este deschisă; în caz contrar dumneavoastră puteți fi expus la energia periculoasă a microundelor. Dispozitivele de siguranță nu trebuie dezactivate sau modificate.
- Nu plasați obiecte între partea frontală și ușa cuptorului. Nu permiteți formarea murdăriei sau a fragmentelor lichidului de curățare pe suprafețe închise.
- Orice lucrări de service ce implică scoaterea panoului ce furnizează protecție împotriva expunerii la energia microundelor trebuie să fie efectuată de către persoane/service autorizat. Orice altă modalitate este periculoasă.
- Produsul dumneavoastră este destinat gătirii, încălzirii și decongelării alimentelor în casă.
- Nu trebuie utilizat în scopuri comerciale. Producătorul nu va fi răspunzător pentru avariile care survin din utilizarea incorectă.
- Nu utilizați acest produs afară, în baie, medii umede sau locuri în care se poate uda.
- Nu va fi asumată nicio responsabilitate sau solicitare de garanție pentru avariile ce survin în timpul întrebuințării greșite sau a manevrării incorecte a produsului.
- Nu încercați niciodată să demontați produsul. Nu sunt acceptate solicitări de garanție pentru avarii cauzate de manevrarea incorectă a produsului.
- Utilizați doar componente originale sau componente recomandate de către producător.
- În timpul utilizării, nu lăsați produsul nesupravegheat.
- Întotdeauna utilizați produsul pe o suprafață stabilă, dreaptă, curată și aderentă.
- Acest produs nu trebuie utilizat cu un ceas exterior sau un sistem separat de control prin telecomandă.
- Înainte de prima utilizare al produsului, curățați toate componentele. Vă rugăm să consultați

- Detaliile prezentate în secțiunea "curățare și întreținere".
- Utilizați acest produs doar pentru uzul destinat așa cum este descris în acest manual. Nu utilizați substanțe chimice abrazive sau abur pentru curățarea produsului. Acest cuptor este destinat încălzirii și gătirii alimentelor. Nu este destinat uzului industrial sau în laborator.
- Nu utilizați produsul să uscați articolele de îmbrăcăminte sau prosoape de bucătărie.
- În timpul utilizării, produsul devine foarte fierbinte. Fiți atenți să nu atingeți părțile fierbinți în interiorul cuptorului.
- Cuptorul dumneavoastră nu este destinat uscării oricărei făpturi vii.
- Nu utilizați cuptorul gol.
- Ustensilele de gătire pot deveni fierbinți datorită căldurii transferate de la alimente către acestea. Pentru ținerea ustensilelor aveți nevoie de mănuși de bucătărie.
- Ustensilele vor fi verificate pentru a se asigura că sunt adecvate utilizării în cuptoarele cu microunde.
- Nu amplasați cuptorul pe plite sau alte produse de generare a căldurii. În caz contrar, acesta poate fi avariat și garanția devine nulă.
- Cuptorul cu microunde nu trebuie să fie amplasat într-un dulap care nu corespunde cu instrucțiunile de montaj.
- Aburul poate ieși în momentul deschiderii protecției sau foliei după gătitul alimentelor.
- Atunci când scoateți alimente încălzite, utilizați mănuși.
- În momentul când produsul este în folosință, acesta și suprafețele accesibile pot deveni foarte fierbinți.
- Atunci când produsul este în folosință, ușa și sticla exterioară poate deveni foarte fierbinți.

1.1.1 Siguranță electrică

- Cuptorul cu microunde de la Beko este conform standardelor de siguranță aplicabile; din acest motiv, în caz de orice avarii ale produsului sau a cablului de alimentare, acesta trebuie reparat sau înlocuit de către dealer, centru de service sau specialist pentru evitarea oricărui pericol.

Lucrările de reparații greșite sau efectuate de persoane necalificate pot produce pericole sau riscuri ale utilizatorului.

- Asigurați-vă că tensiunea de alimentare corespunde cu informațiile furnizate pe eticheta produsului.

Singura modalitate de deconectare a produsului din priză este de a scoate ștecherul de alimentare din priză.

- Utilizați produsul doar cu o priză cu împământare.
- Nu utilizați produsul atunci când cablul de alimentare sau produsul în sine este avariata.
- Nu utilizați acest produs cu un prelungitor.
- Nu atingeți niciodată produsul sau priza cu mâinile umede.
- Plasați produsul într-o poziție în așa fel încât ștecherul este întotdeauna accesibil.
- Preveniți avariarea cablului de alimentare prin comprimare, deformare sau frecarea de margini tăioase. Mențineți cablul de alimentare departe de suprafețele fierbinți și flacără deschisă.

- Asigurați-vă că cablul de alimentare nu poate fi scos accidental din priză sau că o persoană se poate împiedica de el atunci când cuptorul este în folosință.

- Înainte de fiecare curățare și atunci când produsul nu este folosit, scoateți-l din priză.

- Pentru deconectarea aparatului, nu trageți de cablul de alimentare și nu înfășurați cablul în jurul produsului.

- Nu imersați produsul, cablul de alimentare sau ștecherul în apă sau alte lichide. Nu-l mențineți sub apă curentă.

- Atunci când încălziți alimente în recipiente de plastic sau hârtie, verificați frecvent cuptorul datorită posibilității de aprindere.

- Înainte de introducerea pungilor adecvate în cuptorul cu microunde, scoateți fâșiile de sârmă și/ sau mânerele metalice ale pungilor de hârtie sau plastic.

- Dacă dumneavoastră sesizați apariția fumului, opriți produsul sau deconectați-l și mențineți ușa închisă pentru a preveni aprinderea.

- Nu utilizați interiorul cuptorului pentru depozitare. Atunci când cuptorul nu este funcțional, nu lăsați articole din hârtie, fragmente de alimente sau mâncare în interiorul cuptorului.
 - Înainte de consum și pentru evitarea producerii rănilor provocate de arsuri conținutul sticlelor și a borcanelor pentru bebeluși trebuie să fie amestecat și agitat, iar temperatura trebuie să fie verificată.
 - Acest produs este un echipament ISM din grupa 2 clasa B. Grupa 2 cuprinde tot echipamentul ISM (industrial, științific și medical) în care energia radio este generată intenționat și/sau utilizată în formă de radiație electromagnetică pentru tratamentul materialului și echipamentul de eroziune prin scânteie.
 - Echipamentul din clasa B este adecvat utilizării în locuințe domestice și locuințe conectate direct la rețeaua de alimentare cu tensiune scăzută.
 - În momentul utilizării, ușa sau suprafețele exterioare ale produsului pot deveni fierbinți.
- ## 1.1.2 Siguranța produsului
- Lichidele sau alte alimente nu trebuie încălzite în recipiente închise deoarece prezintă riscul de explozie.
 - Încălzirea băuturilor cu microunde pot cauza fierberea prin barbotarea acestora după ce au fost scoase din cuptor; aveți grijă în momentul când țineți recipientele.
 - Nu prăjiți nimic în cuptor. Uleiul încins poate avaria componentele și materialele cuptorului, și poate chiar cauza arsuri ale pielii.
 - Perforați mâncarea cu coajă groasă cum ar fi cartofii, dovleceii, merele și castanele.
 - Produsul trebuie să fie montat în așa fel încât partea din spate să fie la perete.
 - Dacă ușa sau chederele ușii sunt avariate, cuptorul nu trebuie utilizat până când acesta nu este reparat de către o persoană calificată.
 - Înainte de mutarea produsului, vă rugăm să asigurați suportul rotativ pentru prevenirea avariilor acestuia.

- Nu utilizați cuptorul cu microunde pentru a pregăti sau încălzi ouă ochi cu sau fără coajă.
- Nu scoateți componentele din partea laterală și partea posterioară a produsului, ce protejează distanțele minime dintre pereții dulapului și ale produsului pentru a permite circulația necesară a aerului.

1.2 Utilizare destinată

- Cuptorul cu microunde este destinat doar pentru uzul construit.
- Nu utilizați produsul pentru altceva decât uzul destinat.
- Nu utilizați produsul ca o sursă de căldură.
- Cuptorul cu microunde este destinat decongelării, pregătirii și agitării mâncării.
- Nu supragătiți produsele; în caz contrar puteți cauza un incendiu.
- Nu utilizați aspiratoare pe bază de abur pentru curățarea produsului.
- Cuptorul trebuie să fie curățat regulat și depozitele de mâncare trebuie eliminate.
- Deasupra suprafeței superioare a cuptorului trebuie să existe o distanță liberă de minim 20 cm.

1.3 Siguranța copiilor

- Atunci când cuptorul este utilizat lângă copii sau persoane care prezintă abilități fizice, senzoriale sau mentale restricționate, este recomandată atenție extremă.
- Acest produs poate fi utilizat de către copii cu o vârstă de 8 ani și mai mare și de către persoane cu capacitate fizică, senzorială sau mentală limitată sau care nu au cunoștințe și experiență, atât timp cât aceștia sunt supravegheați cu privire la utilizarea sigură a produsului sau sunt instruiți cu privire la utilizarea și înțelegerea riscurilor de utilizare ale produsului. Copii nu trebuie să se joace cu produsul. Lucrările de curățare și întreținere nu trebuie să fie efectuate de către copii cu excepția supravegherii de către un adult.
- Pericol de sugrumare! Mențineți materialele de ambalare departe de copii.
- Permiteți doar copiilor să utilizeze cuptorul fără supraveghere atunci când aceștia au fost instruiți corespunzător cu privire la utilizarea în siguranță a cuptorului cu microunde și înțelegerea

pericolelor de utilizare necorespunzătoare.

- Datorită căldurii excesive care este emisă de grill și modurile de combinare, copiii trebuie să fie permisiți să utilizeze aceste moduri sub supravegherea unui adult.
- Mențineți produsul și cablul său de alimentare departe de copii cu vârsta de sub 8 ani.
- În momentul când produsul este în folosință, acesta și suprafețele accesibile pot deveni foarte fierbinți. Mențineți copiii departe.

1.4 Conformitate cu Directiva WEEE și depozitarea la deșeurii a produsului uzat:

Acest produs respectă Directiva UE WEEE (2012/19/UE). Produsul este marcat cu un simbol de clasificare pentru deșeurii electrice și electronice (WEEE).



Acest produs a fost fabricat folosind piese și materiale de înaltă calitate, care pot fi refolosite și reciclate. Nu depozitați produsul uzat împreună cu gunoiul menajer la sfârșitul duratei sale de funcționare. Duceți-l la un centru de colectare pentru reciclarea echipamentelor electrice și electronice. Luați legătura cu autoritățile locale pentru a afla informații despre aceste centre de colectare.

1.5 Conformitate cu Directiva RoHS:

Produsul pe care l-ați achiziționat respectă Directiva UE RoHS (2011/65/UE). Nu conține materiale dăunătoare și interzise specificate în Directivă.

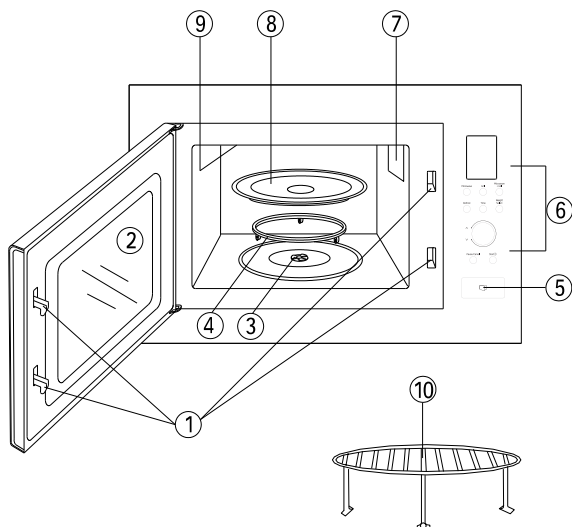
1.6 Informații despre ambalaj



Ambalajul produsului este fabricat din materiale reciclabile conform Legislației Naționale. Ambalajele nu trebuie aruncate împreună cu gunoiul menajer sau alt tip. Duceți-le la punctele de colectare destinate ambalajelor amenajate de către autoritățile locale.

2 Cuptorul dumneavoastră cu microunde

2.1 Prezentare generală



1. Sistem interblocare siguranță ușă
2. Fereastră cuptor
3. Ax platan
4. Suport platan
5. Tastă deschidere ușă
6. Panou de comandă
7. Ghid de unde (nu îndepărtați folia de mica ce acoperă ghidul de unde)
8. Platan de sticlă
9. Încălzitor grill
10. Grill

2.2. Date tehnice

Consum de energie	230-240 V~50 Hz, 1400 W (Microunde) 1000 W (Grill)
Putere maximă	900 W
Frecvență de funcționare	2450 MHz
Dimensiuni externe	390 mm (Î) x 595 mm (L) x 365 mm (A)
Dimensiuni interne ale cuptorului	220 mm (Î) x 340 mm (L) x 320 mm (A)
Capacitate cuptor	23 litri
Greutate netă	14,1 kg

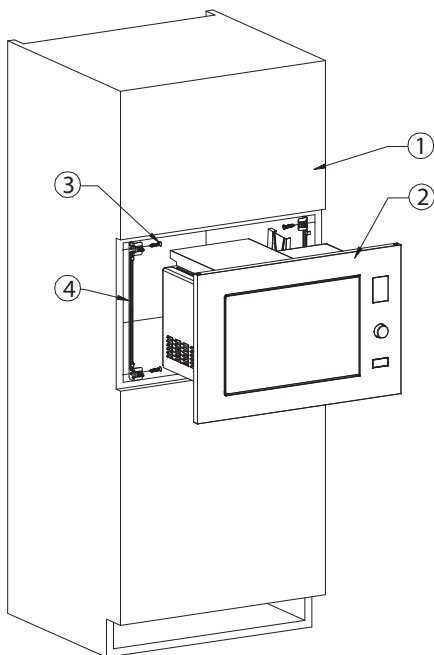
Simbolurile de pe produs sau valorile prezentate în alte documente furnizate împreună cu produsul reprezintă valorile obținute în condiții de laborator conform standardelor relevante. Aceste valori pot varia în funcție de utilizarea produsului și condițiile ambientale. Valorile de putere sunt testate la o tensiune de 240 V.

3 Instalare

3.1. Instalare

- Instalarea trebuie efectuată de personal de service autorizat.
- Asigurați-vă că ați înlăturat toate materialele de ambalare dinăuntru ușii.
- Acest produs trebuie amplasat pe o suprafață dreaptă care poate susține greutatea cuptorului și alimentele cele mai grele ce pot fi preparate înăuntru acestuia.
- Nu puneți produsul în locuri cu umiditate sau în apropierea materialelor inflamabile.
- Nu utilizați cuptorul fără a pune suportul platinului în poziția corectă.
- Asigurați-vă că nu este deteriorat cablul de alimentare și că nu este prins sub produs sau deasupra unor suprafețe fierbinți sau ascuțite.
- Sursa de alimentare trebuie să se afle într-o poziție ușor accesibilă pentru a putea deconecta produsul în caz de urgență.
- Nu utilizați produsul în aer liber.

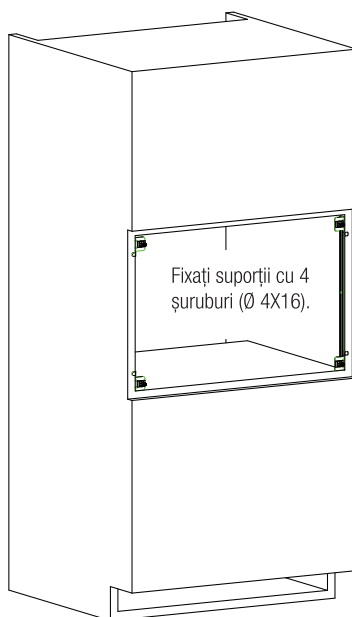
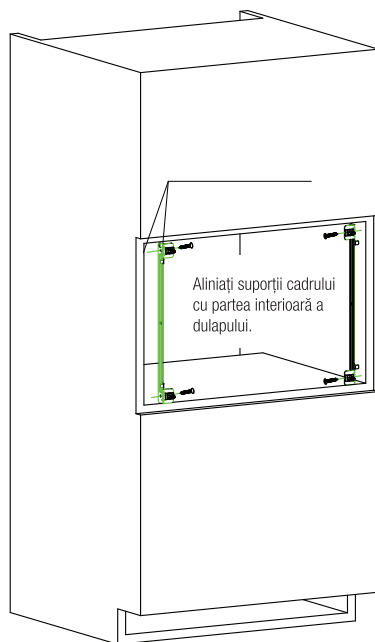
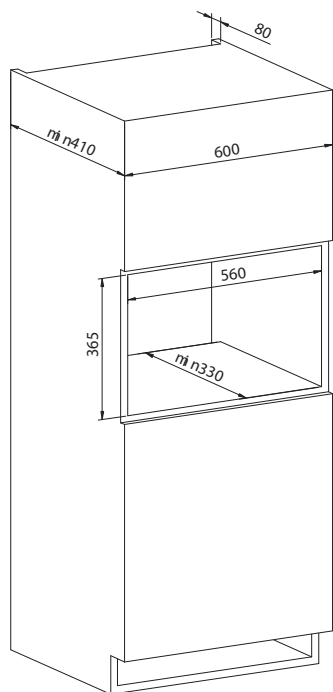
3.1.1 Kit de instalare



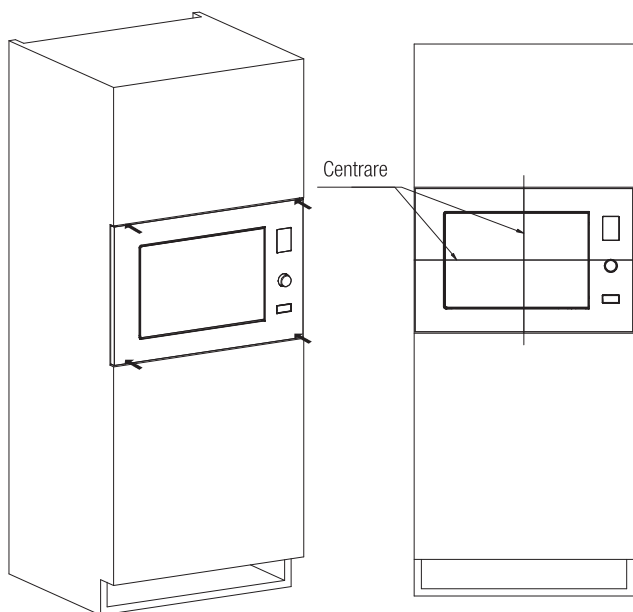
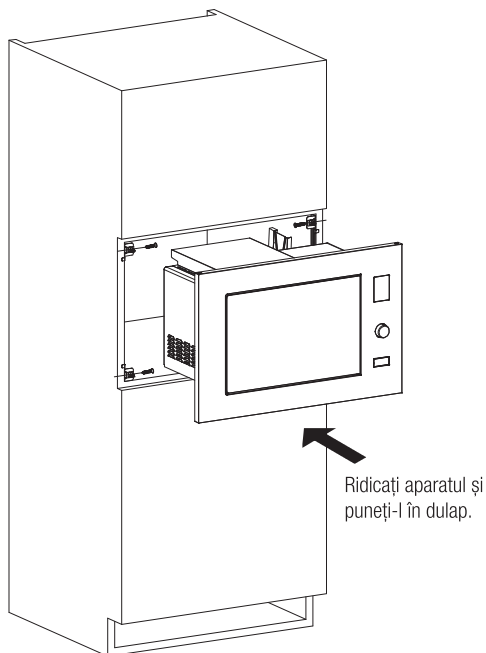
1. Dulap
2. Cuptor cu microunde
3. \varnothing 4x16 Șuruburi (4 buc.)
4. Colier conectare dulap

3 Instalare

3.1.2 Dulap cuptor cu microunde



3 Instalare



După localizarea aparatului în interiorul dulapului, apăsați pe cele 4 colțuri ale cadrului pentru a poziționa mânerul suporturilor pe cadru.

3 Instalare

3.2 Interferențe radio

Funcționarea cuptorului cu microunde poate cauza interferențe cu radioul, televizorul și aparatele similare.

Puteți reduce sau elimina interferențele luând precauțiile de mai jos:

- Curățați ușa și suprafața de etanșare a produsului.
- Reorientați direcția antenei radio sau TV.
- Repoziționați produsul în funcție de amplasarea receptorului.
- Amplasați produsul departe de receptor.
- Conectați aparatul la o altă priză; astfel, cuptorul și receptorul se vor conecta pe linii diferite.

3.3 Principiile gătirii la microunde

- Pregătiți alimentele cu grijă. Puneți părțile mai groase spre exteriorul farfuriei.
- Atenție la durata de gătire. Gătiți alimentele la durata cea mai mică specificată și apoi mai adăugați puțin timp dacă este nevoie. Alimentele supraîncălzite pot scoate fum sau lua foc.
- Acoperiți alimentele în timpul preparării. Acoperirea alimentelor împiedică stropirea și asigură gătitura uniformă a acestora.
- Întoarceți pe partea cealaltă alimentele cum ar fi carnea de pui și hamburgerii după ce s-au preparat un timp în cuptorul cu microunde pentru a accelera gătitura acestor tipuri de mâncare. Alimentele mai mari, cum ar fi friptura, trebuie întoarse pe partea cealaltă cel puțin o dată.
- Întoarceți pe partea cealaltă alimente precum chiftelele cu carne în mijlocul procesului de preparare și schimbați-le locul din centrul farfuriei spre exterior.

3.4 Instrucțiuni de împământare

Produsul trebuie cu siguranță împământat. Produsul are un cablu de împământare cu un ștecher cu împământare. Produsul trebuie conectat la o priză de perete instalată și împământată corect.

Sistemul de împământare include un cablu de scurgere pentru curent electric în caz de scurtcircuit, care reduce riscul de șocuri electrice. Se recomandă utilizarea unui circuit electric dedicat acestui produs. Folosirea produsului cu tensiuni ridicate este periculoasă și poate cauza incendii sau alte accidente care ar avaria produsul.



AVERTISMENT! Folosirea necorespunzătoare a ștecherului cu împământare poate cauza șoc electric.



Dacă aveți întrebări cu privire la împământare și instrucțiunile privind curentul electric, consultați un tehnician electric calificat sau personalul de la service.



Producătorul și/sau furnizorul nu acceptă nicio răspundere pentru deteriorarea sau avarierea cuptorului care ar putea surveni dacă nu se respectă procedurile de conectarea la curent.

Miezurile dinăuntrul cablului de alimentare sunt colorate după cum urmează:

Verde și Galben = ÎMPĂMÂNTARE

Albastru = NUL

Maro = FAZĂ

3.5 Accesorii pentru cuptor

- Materialul ideal al accesoriilor pentru cuptorul cu microunde sunt materiale care conduc microundele, respectiv care permit pătrunderea energiei în accesoriile pentru cuptor permițând astfel încălzirea alimentelor.

3 Instalare

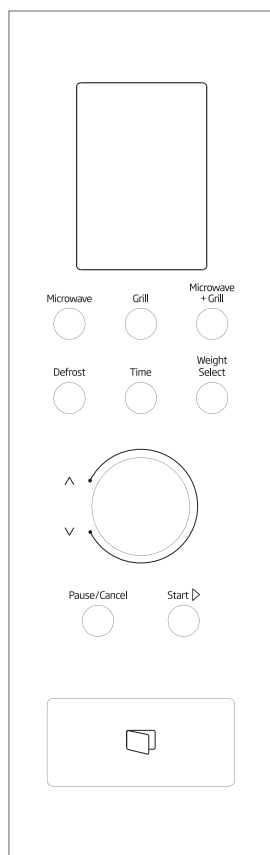
- Microundele nu pot penetra metalele; așadar, accesoriile din metal sau cu ornamente din metal nu trebuie utilizate.
- Nu utilizați produse din hârtie reciclată pentru prepararea la microunde, deoarece acestea pot avea mici părți metalice care pot cauza scânteii sau lua foc.
- Se recomandă utilizarea vaselor rotunde/ovale în locul celor pătrate/dreptunghiulare, deoarece alimentele de pe margine se pot supraîncălzi.
- Puteți utiliza benzi din folie de aluminiu pentru a nu permite părților expuse să se supraîncălzească. Cu toate acestea, aveți grijă! Nu le utilizați excesiv și lăsați o distanță de 2,5 cm (1 inci) între folie și suprafața interioară a produsului.

Lista de mai jos este un ghid general ce vă va ajuta să alegeți accesoriile potrivite.

Accesorii pentru gătit	Cuptor cu microunde	Grill	Combinare
Sticlă termorezistentă	Da	Da	Da
Sticlă ne-termorezistentă	Nu	Nu	Nu
Ceramică termorezistentă	Da	Da	Da
Vas din plastic potrivit pentru cuptorul cu microunde	Da	Nu	Nu
Accesorii pentru bucătărie din hârtie	Da	Nu	Nu
Tăviță de metal	Nu	Da	Nu
Grătar de metal	Nu	Da	Nu
Folie de aluminiu și accesoriile cu folie	Nu	Da	Nu

4 Funcționarea

4.1 Panou de comandă



Afișaj operare
meniu

Cuptor cu microunde

Apăsați tasta de câteva ori pentru a seta nivelul preparării la microunde.

Grill

Apăsați tasta pentru a selecta programul de preparare pe grătar.

Microunde + grill

Apăsați această tastă pentru a selecta unul dintre programele combinare.

Decongelare

Apăsați această tastă pentru a decongela alimentele în funcție de greutate.

Dată / Timp

Apăsați această tastă pentru a seta timpul.

Selectarea greutății

Apăsați această tastă pentru a selecta greutatea pentru programele care necesită selectarea greutății.

Buton de reglare

Rotiți acest buton pentru a seta timpul, timpul de preparare, meniul sau greutatea.

Funcția de gătire automată este selectată prin răsucirea butonului de reglare în sens opus acelor de ceasornic.

Oprire/Anulare

Apăsați această tastă pentru a anula o setare sau a reseta cuptorul înainte de setarea unui program de preparare.

Apăsați această tastă o dată pentru a opri temporar prepararea sau de două ori pentru a o anula complet.

Se poate folosi și pentru a bloca aparatul pentru copii.

Tasta de pornire

Apăsați tasta pentru a porni un program de preparare.

Dacă este apăsată această tastă de câteva ori, cuptorul va funcționa la putere maximă.

30 de secunde la fiecare apăsare.

4.2 Setarea comenzilor cuptorului

Produsul emite un semnal audio pe durata setării.

UN BIP: Cuptorul acceptă intrarea.

DOUĂ BIPURI: Cuptorul respinge intrarea. Verificați și mai încercați o dată.

4.2.1 Setarea ceasului digital

Dacă doriți să setați timpul aparatului la 08:30:

- În modul stand-by, apăsați tasta TIMP/CEAS timp de 3 secunde. Pe ecran apare „Hr 12”. Pentru a utiliza ceasul de 24 de ore, apăsați din nou pe tasta TIMP/CEAS.
- Rotiți butonul REGLARE și setați secțiunea pentru ore la 8.
- Apăsați tasta DURATĂ/TIMP încă o dată.

4 Funcționarea

- Rotiți butonul REGLARE și setați secțiunea pentru minute la 8:30.
- Apăsăți tasta DURATĂ/TIMP încă o dată pentru a confirma setarea.



Puteți verifica setarea timpului în timpul preparării apăsând o singură dată tasta DURATĂ/TIMP.

4.2.2 Prepararea la microunde

Durata de preparare la microunde cea mai lungă este de 95 de minute. Puteți seta nivelul puterii apăsând tasta MICROUNDRE în mod repetat.

- De exemplu, dacă doriți să preparați alimentul timp de 5 minute la o putere a microundelor de 60%:
- Apăsăți tasta OPRIRE/ANULARE.
- Apăsăți tasta NIVEL PUTERE (POWER LEVEL) în mod repetat pentru a selecta nivelul puterii.

Afișaj	Puterea de preparare
P100	100%
P80	80%
P60	60%
P40	40%
P20	20%
P00	00%

- Rotiți butonul REGLARE până se afișează 5:00 pe ecran.
- Apăsăți butonul START.



Puteți verifica puterea de preparare în timpul gătirii apăsând tasta MICROUNDRE (MICROWAVE).



Cuptorul va emite un semnal sonor atunci când se va încheia timpul de preparare/decongelare și se va afișa mesajul „Sfârșit” (End). Reveniți la meniul de pornire pe afișaj apăsând tasta OPRIRE/ANULARE sau deschizând ușa înainte de a seta o altă funcție. (Poate fi folosită pentru următoarele funcții de preparare.)

4.2.3 Pornirea rapidă

Această opțiune este folosită pentru a utiliza rapid cuptorul. Durata de preparare cea mai lungă este de 10 de minute.

Pentru setarea duratei de preparare în modul standby, apăsăți butonul START în mod repetat și rapid; produsul va începe imediat să funcționeze la putere deplină.

4.2.4 Dezghețare în funcție de greutate

Produsul poate decongela alimentele în funcție de greutatea pe care o introduceți. După ce ați setat greutatea, durata și puterea de decongelare sunt setate automat. Greutatea alimentelor variază între 100 g și 1,800 g.

Dacă doriți să decongelați 600 g de creveți:

- Puneți creveții la decongelat în aparat și închideți ușa.
- Apăsăți tasta OPRIRE/ANULARE.
- Apăsăți tasta DECONGELARE o dată.
- Apăsăți repetat tasta SELECTARE GREUTATE până când este afișată valoarea 600 g.
- Apăsăți butonul START.



În timpul procesului de decongelare, sistemul de oprește și emite un semnal sonor pentru a vă reaminti să întoarceți alimentele; apăsăți butonul START pentru a continua.

4 Funcționarea

4.2.5 Preparare programată (Preparare multifuncțională)

Puteți programa 3 ture automate de preparare pe aparatul dvs.

De exemplu, dacă doriți să setați următorul program de preparare:

1 min. preparare la nivelul de putere 60% și 2 min. preparare la nivelul de putere 100%.

- Apăsăți tasta OPRIRE/ANULARE.
- Apăsăți tasta MICROUNDRE în mod repetat până ce se va afișa codul P60.
- Rotiți butonul REGLARE până se afișează 1 min. pe ecran.
- Apăsăți tasta MICROUNDRE în mod repetat până ce se va afișa codul P100.
- Rotiți butonul REGLARE până se afișează 2 min. pe ecran.
- Apăsăți butonul START.



Pornire Rapidă, Meniu și Decongelare în funcție de Greutate nu pot fi setate în modul de preparare în mai mulți pași.

Luminile relevante se aprind pentru a indica stadiul de funcționare al aparatului.

4.2.6 Preparare automată

Pentru alimente și în funcție de modul de preparare, setarea duratei sau a puterii de preparare nu este necesară. Puteți introduce pur și simplu tipul de mâncare și greutatea acesteia. Este posibil să fie nevoie să întoarceți mâncarea la mijlocul perioadei de preparare pentru o gătire uniformă.

Exemplu: Preparare 400 g. de pește

- Apăsăți tasta OPRIRE/ANULARE.
- Rotiți butonul REGLARE în sens contrar acelor de ceasornic pentru selectarea codului alimentului. Simbolul selectat de pe ecran se va ilumina.
- Apăsăți repetat tasta SELECTARE GREUTATE până când este afișată valoarea 400 g.

- Apăsăți butonul START.

Meniul Preparare automată

Cod	Modul aliment/preparare	
A-1	Floricelile de porumb	Pentru lapte/cafenea și cartofi, trebuie să introduceți numărul de porții, nu greutatea alimentelor.
A-2	Lapte/Cafenea (200 ml/cană)	
A-3	Legume	Pentru floricele de porumb există o singură opțiune.
A-4	Cartofi (230 g/bucată)	Rezultatul preparării automate depinde de factori cum ar fi fluctuațiile de tensiune, forma și dimensiunea alimentelor, alegerea dvs. personală privind nivelul de preparare al mâncării respective, și chiar cât de bine ați introdus alimentele în aparat. Dacă rezultatul nu este satisfăcător pentru dvs., setați timpul de preparare după dorință.
A-5	Pizza	
A-6	Re-încălzire automată (g)	
A-7	Carne de pui la grill	
A-8	Friptură la grill	



Pentru opțiunile carne de pui la grill și friptură la grill, programul va emite un semnal și, apoi, va face o pauză pentru a vă aduce aminte să întoarceți alimentele. Odată ce ați întors alimentele, puteți apăsa pe tasta START pentru a lăsa programul să continue.

4.2.7 Grill

Durata de preparare cea mai lungă pentru grill este de 95 de minute.

- De exemplu, dacă doriți să preparați un aliment timp de 5 minute în modul grill.

4 Funcționarea

- Apăsați tasta OPRIRE/ANULARE.
- Selectați modul grill apăsând tasta Grill o singură dată.
- Rotiți butonul REGLARE până se afișează 5:00 pe ecran.
- Apăsați butonul START.



Ar trebui să puneți programul pe pază și să întoarceți mâncarea pentru ca ambele părți ale acesteia să se gătească uniform în modurile de preparare Grill/Mod de combinare.

4,2,8 Combinare

Durata de preparare combinată cea mai lungă este de 95 de minute.

- De exemplu, dacă doriți să preparați un aliment timp de 12 minute în modul Combinare.
- Apăsați tasta OPRIRE/ANULARE.
- Selectați unul din modurile Combinare din tabelul de mai jos apăsând tasta Microunde+Grill de 2 sau 3 ori.
- Rotiți butonul REGLARE până se afișează 12:00 pe ecran.
- Apăsați butonul START.

Numărul de apăsări al tastei Microunde+Grill	Combinare	Durata de preparare	
		Cuptor cu microunde	Grill
2X	Co-1	30%	70%
3X	Co-2	55%	45%

4.2.9 Blocarea accesului copiilor

Utilizați această funcție pentru a-i împiedica pe copii să folosească aparatul. Se va afișa simbolul de blocare pentru copii și aparatul nu poate fi utilizat cât timp este setată Blocarea pentru copii.

Pentru setare: Atunci când cuptorul se află în modul standby sau presetare, apăsați și țineți apăsată tasta OPRIRE/ANULARE timp de 3 secunde; se va auzi un bip și se va ilumina simbolul de blocare pentru copii. Toate butoanele sunt dezactivate în modul blocare.

Pentru anulare: Apăsați și țineți apăsată tasta OPRIRE/ANULARE timp de 3 secunde până se va stinge simbolul de blocare pentru copii.

5 Curățarea și întreținerea

5.1 Curățarea



AVERTISMENT! Nu utilizați niciodată benzină, solvent, agenți de curățare abrazivi, obiecte metalice sau perii aspre pentru curățarea produsului.



AVERTISMENT! Nu cufundați niciodată produsul sau cablul său de alimentare în apă sau în orice alt lichid.

1. Opriti produsul și deconectați-l de la priza de perete.
2. Așteptați răcirea completă a produsului.
3. Mențineți curat interiorul cuptorului. Când alimentele stropite sau lichidele vărsate se prind de pereții cuptorului, curățați-le cu o lavetă umedă moale. Dacă cuptorul se murdărește foarte mult, se poate folosi un detergent ușor. Evitați utilizarea sprayurilor sau altor agenți de curățare puternici deoarece aceștia pot cauza pete, semne sau opacitatea suprafeței ușii.
4. Suprafețele exterioare ale cuptorului trebuie să fie curățate cu o lavetă moale. Pentru evitarea avarierii componentelor operaționale ale cuptorului, nu permiteți pătrunderea apei în orificiile de ventilare.
5. Pentru eliminarea petelor scurgere și stropire, ștergeți frecvent cu o lavetă umedă ambele părți ale ușii și ale sticlei, garniturile ușii și părțile de lângă garnituri. Nu utilizați agenți abrazivi de curățare.
6. Nu permiteți ca panoul de comandă să se umezească. Curățați cu o lavetă moale. În timpul curățării panoului de control, lăsați deschisă ușa cuptorului pentru prevenirea utilizării neatente.
7. Dacă aburul se acumulează în interiorul sau în jurul ușii cuptorului, curățați-l cu ajutorul unui material moale. Acest lucru poate surveni în momentul când cuptorul cu microunde este utilizat în condiții de umiditate ridicată. Acest lucru este normal.
8. În unele cazuri, pentru curățare, trebuie să scoateți platoul de sticlă. Curățați platoul în apă caldă cu săpun sau în mașina de spălat vase.
9. Pentru evitarea zgomotului excesiv, inelul de rotire și suprafața inferioară a cuptorului trebuie să fie curățate în mod regulat. Este suficient să curățați partea inferioară a cuptorului cu un detergent ușor. Inelul rotativ poate fi spălat în apă caldă cu săpun sau în mașina de spălat vase. În momentul când scoateți inelul de rotire din partea inferioară a cuptorului pentru curățare, asigurați-vă că-l montați în poziția corectă când îl puneți la loc.
10. Pentru eliminarea mirosurilor urâte din cuptor, introduceți un pahar de apă sau un pahar de suc sau decojiți o lămâie într-un vas adânc potrivit pentru a fi utilizat în cuptorul cu microunde și utilizați cuptorul timp de 5 minute în modul microunde. Curățați în întregime și apoi uscați-l utilizând o lavetă moale uscată.
11. În momentul când lampa cuptorului necesită înlocuire, vă rugăm să contactați service-ul autorizat.
12. Cuptorul trebuie să fie curățat regulat și depozitele de alimente trebuie eliminate. Dacă cuptorul nu este menținut curat, acest lucru poate cauza defecte de suprafață care pot afecta în mod negativ durata de utilizare a acestui produs, iar acest lucru poate cauza riscuri.
13. Nu eliminați acest produs împreună cu deșeurile menajere; cuptoarele vechi trebuie să fie eliminate la centre speciale de reciclare deschise de către municipalități.
14. În momentul când cuptorul cu microunde este utilizat în funcția de grătar, se poate acumula o cantitate mică de fum și miros, dar aceasta va dispărea după un timp de utilizare.

5 Curățarea și întreținerea

5.2 Depozitarea

- Dacă nu doriți să utilizați produsul pentru o perioadă lungă de timp, depozitați-l cu grijă.
- Asigurați-vă că aparatul este scos din priză, răcit și uscat complet.
- Depozitați produsul într-o loc uscat și răcoros.
- Păstrați produsul într-un loc inaccesibil copiilor.

5.3 Manevrarea și transportul

- În timpul manevrării și transportului, țineți produsul în ambalajul său original.
- Ambalajul produsului protejează aparatul de deteriorări fizice.
- Nu așezați obiecte grele pe produs sau pe ambalaj. Produsul se poate deteriora.



CERTIFICAT DE GARANȚIE

Tensiune de alimentare/frecvență: 230V/50Hz
Importator: ARCTIC S.A., Găești, Dâmbovița, str. 13 Decembrie nr. 210, email: office@arctic.ro

TIP: **Electrocasnice mici de bucătărie - 3 ani** **Cuptor cu microunde - 3 ani**
 Aspirator - 2 ani **Fier de călcat - 2 ani** **Stație de călcat - 2 ani**
Model / Serie:

VÂNZĂTOR

Nr. factură: Data:

Vânzător (firma, localitatea):

CUMPĂRĂTOR

Nume Localitatea

Str. Nr. Bloc Sc. Et. Ap.

Județ Telefon E-mail

S-a efectuat proba de funcționare a aparatului, s-a prezentat modul de folosire, s-au predat instrucțiunile de utilizare și toate accesoriile. Am primit aparatul în perfectă stare de funcționare.

Stimați clienți,

La cumpărare vă recomandăm să solicitați efectuarea probei de funcționare și să verificați existența instrucțiunilor de utilizare și a accesoriilor.

Pentru a putea beneficia de toate avantajele produselor și serviciilor noastre vă rugăm:

- să citiți cu atenție și să respectați recomandările prezentate în "Instrucțiunile de utilizare".

- să păstrați cu grijă acest certificat pentru a-l putea prezenta (împreună cu documentul fiscal de achiziție), personalului SERVICE ARCTIC, la orice sesizare efectuată în perioada de garanție.

Vă mulțumim că ați optat pentru cumpărarea unui produs Beko!

Durata medie de utilizare a produselor BEKO este de 5 ani!

Perioada de garanție legală de conformitate este de 2 ani de la intrarea produsului în posesia consumatorului.

Perioada de garanție comercială este de 3 ani de la intrarea produsului în posesia consumatorului, include și perioada de garanție legală de conformitate și se acordă pentru următoarele categorii: Electrocasnice mici de bucătărie și Cuptoare cu microunde.

Art. 22, alin. 3-6, din L449/2013, modificata de OG 9/2016:

- (3) Timpul de nefuncționare din cauza lipsei de conformitate apărute în cadrul termenului de garanție prelungeste termenul de garanție legală de conformitate și cel al garanției comerciale și curge, după caz, din momentul la care a fost adusă la cunoștința vânzătorului lipsa de conformitate a produsului sau din momentul prezentării produsului la vânzător/unitatea service până la aducerea produsului în stare de utilizare normală și, respectiv, al notificării în scris în vederea ridicării produsului sau predării efective a produsului către consumator.

- (4) Produsele de folosință îndelungată care înlocuiesc produsele defecte în cadrul termenului de garanție vor beneficia de un nou termen de garanție care curge de la data preschimbării produsului.

- (5) Produsele de folosință îndelungată defectate în termenul de garanție legală de conformitate, atunci când nu pot fi reparate sau când durata cumulată de nefuncționare din cauza deficiențelor apărute în termenul de garanție legală de conformitate depășește 10% din durata acestui termen, la cererea consumatorului, vor fi înlocuite de vânzător sau acesta va restitui consumatorului contravaloarea produsului respectiv.

- (6) Termenul de garanție curge de la data intrării bunului respectiv în posesia consumatorului, inclusiv pentru bunurile noi de folosință îndelungată, obținute prin trageră la sorți la tombolă, câștigate la concursuri și similare sau acordate cu reducere de preț ori gratuit de către operatorii economici.

Garanția oferită de producător nu exclude garanția de viciu ascuns, conform OG 21/1992 (R2) privind protecția consumatorului și Codul Civil.

beko

Service-ul acestui produs este asigurat de ARCTIC S.A. cu sediul în Găești, Dâmbovița, str. 13 Decembrie nr. 210.
*9010 • www.arctic.ro • e-mail: service@arctic.ro • Program Call Center: Luni - Vineri 08:30 - 20:00;
Sâmbătă 09:00 - 17:00

UNITĂȚILE SERVICIE ALE ARCTIC S.A. EXECUTĂ REPARAȚII ÎN TERMENUL DE GARANȚIE ȘI ÎN AFARA ACESTUIA

Nr. crt.	Data Reclamației	Data primirii în reparație	Reparat		Reparația curentă și/sau componenta înlocuită	Prelungirea termenului de garanție	Efectuarea verificării	
			Programat	Data ridicării aparatului			Cauza întârzierii	SERVICE

CONDITIILE DE GARANȚIE LEGALĂ DE CONFORMITATE ȘI GARANȚIE COMERCIALĂ:

1. Garanția se aplică numai dacă documentul fiscal de achiziție împreună cu acest certificat sunt prezentate împreună cu produsul reclamat. Pentru orice defecțiune apărută în perioada de garanție sau post garanție, apeleți la magazinul de unde a fost achiziționat produsul sau direct la Call Center Arctic.
2. Termenul de garanție se prelungește cu timpul scurs de la data semnării defectului și până la data repunerii aparatului în stare de funcționare.
3. Prelungirea termenului de garanție se va înscrie în certificatul de garanție de către unitatea SERVICE care a efectuat reparația.
4. Garanția acoperă reparația și/sau înlocuirea pieselor constatate ca defecte (necauzate de consumator) de către tehnicienii Service Arctic.
5. La cumpărare vă recomandăm să solicitați efectuarea probei de funcționare și să verificați existența tuturor accesoriilor și a instrucțiunilor de utilizare. Produsul trebuie să funcționeze corespunzător și să nu prezinte defecte vizibile ale pieselor și accesoriilor.
6. Termenul de realizare a operațiilor de reparație, înlocuire sau întreținere este de 15 zile calendaristice de la data la care cumpărătorul a sosit la depozitul produsului sau direct la Call Center Arctic.

Reclamațiile referitoare la aspectele prevăzute mai jos, se rezolvă numai contra cost:

- a) nefuncționarea lămpilor de iluminare;
- b) accesoriile care nu au defecte ascunse de material constatate de tehnicienii Service Arctic;
- c) piesele și accesoriile care prezintă lovituri, zgârieturi, spărturi sau deformări.

PRODUSUL NU BENEFICIAZĂ DE GARANȚIE LEGALĂ DE CONFORMITATE ȘI DE GARANȚIE COMERCIALĂ ÎN URMAȚOARELE CAZURI:

1. Nu au fost respectate instrucțiunile de transport, manipulare, instalare, utilizare și întreținere prescise.
2. Subansamblurile și accesoriile casabile care se deteriorează în timpul transportului vor fi înlocuite de vânzător (în cazul în care asigură transportul).
3. Garanția nu se acordă subansamblurilor și accesoriilor casabile ale produselor care suferă deteriorări din vina consumatorului.
4. Tensiunea de alimentare are valori care nu se încadrează în limitele prevăzute de standarde (SFEN 50160).
5. Instalarea electrică a utilizatorului prezintă improvizații sau neconformități.
6. Produsul a fost folosit în alte scopuri decât cel pentru care a fost proiectat.
7. Produsul a suportat intervenții (reparații, modificări) din partea unor persoane neautorizate de producător.

Drepturile consumatorului sunt cele prevăzute în Legea 449/2003 (R1), modificată și completată de OG 9/2016, și OG 21/1992 (R2). Drepturile consumatorului nu sunt afectate prin garanția comercială oferită.



Arçelik A.Ş.

Karaağaç Cad. No: 2-6, Sütluçe, 34445
İstanbul, Türkiye

www.beko.com