

SHARP



User manual

DR-S460

Stereo Digital Radio

EN

DE

ES

IT

FR

PL

Product images are for illustration purposes only. Actual product may vary. | Das Bild auf der Verpackung kann vom Inhalt abweichend sein. | Las imágenes del producto son para fines ilustrativos solamente. | Le immagini dei prodotti sono solo a fini illustrativi. | Les images du produit sont présentées à titre d'illustration uniquement. | Zdjęcie produktu jest tylko w celach ilustracyjnych. Produkt może się różnić.

Important safety instructions

Please, read these safety instructions and respect the following warnings before the appliance is operated:



The exclamation point within an equilateral triangle is intended to alert the user to the presence of important operating and maintenance (servicing) instructions in the literature accompanying the appliance.



Use only power supply listed in the user manual.



This symbol means that the product should be disposed of in an environmentally friendly manner and not with general household waste.



AC voltage



DC voltage



Class II equipment



For indoor use only



Energy efficiency marking with level VI



Polarity of d.c. power connector

In order to prevent fire always keep candles and other open flames away from this product.



- Place product on a flat, stable surface that is not subject to vibrations.
- Ensure the product and its parts is not overhanging the edge of the supporting furniture.
- To reduce the risk of fire, electric shock or damage to this product, do not expose it to direct sunlight, dust, rain and moisture. Never expose it to dripping or splashing and do not place objects filled with liquids on or near the product.
- Do not place objects filled with liquids, such as vases, on the apparatus.
- Do not install near any heat sources such as radiators, heat registers, stoves, or other apparatus (including amplifiers) that produce heat.
- Do not place the product where the humidity is high and ventilation is poor.
- Ensure a minimum distance of 5 cm around the apparatus for sufficient ventilation. Do not block any ventilation openings of this product. Always ensure that the ventilation openings are not covered with items such as newspapers, table-cloths, curtains, etc.
- NEVER let anyone, especially children, push anything into holes, slots or any other openings in the unit's casing as this could result in a fatal electric shock.
- Storms are dangerous for all electric appliances. If the mains or aerial wiring is struck by lightning, the appliance might get damaged, even if it is turned off. You should disconnect all the cables and connectors of the appliance before a storm.

Maintenance

- Unplug the power cable from the power source before cleaning the appliance.
- Use a soft and clean rag to clean the outside of the unit. Never clean it with chemicals or detergent.

Power Adapter

- To disconnect the unit from the mains supply, unplug the lead from the mains socket.
- Only use the supplied mains adaptor as failure to do this may result in a safety risk and/or damage to the unit.

Warning:

- Always follow basic safety precautions when using this appliance, especially when children are present.
- Children should be supervised to ensure that they do not play with the appliance.
- Do not damage the power cord, place heavy objects on it, stretch or bend it. Do not attach extension cables. Damage to the power cord may cause fire or electric shock.
- If the supply cord is damaged, it must be replaced by the manufacturer, a service agent or similarly qualified persons in order to avoid a hazard.
- Ensure that the unit is plugged into an AC 100-240V 50/60Hz power outlet. Using higher voltage may cause the unit to malfunction or catch fire.
- If the power plug does not fit into the socket, do not force it.
- Turn off the unit before unplugging it from power source to completely switch it off.
- Do not disconnect or connect the power cord with wet hands. This may cause an electric shock.
- If the unit is not going to be used for a long period time, disconnect the power supply.
- Ensure that the mains plug is always easily accessible.
- This product does not contain any parts that are serviceable by the user. In case of a fault, contact the manufacturer or authorised service department. Exposing the internal parts inside the device may endanger your life. The manufacturers guarantee does not extend to faults caused by repairs carried out by unauthorised third parties.
- Do not use this product immediately after unpacking. Wait until it warms up to room temperature before using it.
- Ensure this product is used in moderate climates only (not in tropical/ subtropical climates).

Disposal of this equipment

- Do not dispose of this product as unsorted municipal waste. Return it to a designated collection point for the recycling of WEEE in accordance with local law. By doing so, you will help to conserve resources and protect the environment.



- The shown above appears on electrical and electronic equipment (or the packaging) to remind users of this.
- Users are requested to use existing return facilities for used equipment and batteries.

CE Statement:

- Hereby, UMC Poland sp. z o.o. declares that this audio device is in compliance with the essential requirements and other relevant provisions of RED Directive 2014/53/EU. The full text of the EU declaration of conformity is available by following the link <http://www.sharpconsumer.eu/documents-of-confirmity>

Trademarks:



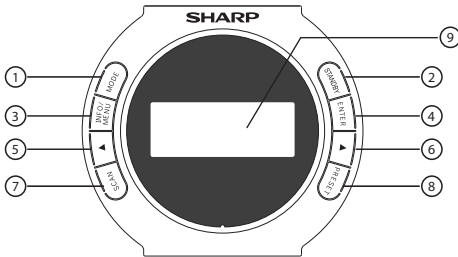
The *Bluetooth*® word mark and logos are registered trademarks owned by Bluetooth SIG, Inc.

What is included in the box:

- 1 x Main unit
- 1 x User Manual
- 1 x Quick start guide
- 1 x Power adaptor
- 1x UK AC plug for power adapter
- 1x EU AC plug for power adapter

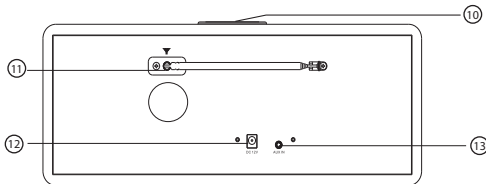
Panels & Controls

Front Panel



- 1. MODE** – Press to change the modes: DAB/DAB+, FM, Bluetooth, AUX IN.
- 2. STANDBY** – Press this button to turn on the unit or enter standby mode.
- 3. INFO/MENU** – Press to view the station information, or enter main menu setting screen.
- 4. ENTER** – Press to confirm your selections.
- 5. PREVIOUS ◀** – Press to go back to the previous selections, or to decrease the frequency, or seek the previous strongest station.
- 6. NEXT ▶** – Press to go forward to the next selection, or to increase the frequency, or seek the next strongest station.
- 7. SCAN** – Use to scan the radio stations, or to adjust the backlight level.
- 8. PRESET** – Press to recall the preset stations.
- 9. DISPLAY SCREEN** – To show the information.

Rear Panel



- 10. Volume Knob** – Rotate the volume knob to adjust the volume level.
- 11. FM Antenna** – To receive the FM signal.
- 12. DC Power input** – DC 12V
- 13. AUX IN jack** – Connect the 3.5mm audio cable to this jack to enjoy the external audio music.

General Operating Instructions

Mains Adaptor (supplied with the package)

Connect the mains adaptor to the **DC power socket** on the rear panel of the radio.

Get the Best Reception

Extend the telescopic aerial as far as it can go.

Turn On the Radio

Press the **STANDBY** button to turn on the radio.

Switch to Standby Mode

When in use, long press the **STANDBY** button to enter Standby mode. Press it again to wake up the radio. The radio will turn into standby mode automatically if no any operations after 15 minutes.

Adjust the Volume

Rotate the **Volume Knob** to adjust the volume to a comfortable level. Listening to the radio at a high volume levels may damage your hearing. Avoid listening at high volume levels for long periods of time.

The first time the radio is used

The first time you turn the radio on it will automatically scan for stations. During scanning, the screen will display a slide bar that indicates the progress of the scan and the amount of radio stations that have been found so far. Once the scan has finished, the radio will play the first station it finds.

Snooze function

When the alarm is sounding in Standby mode, rotate the **Volume Knob** to activate the **SNOOZE** function. The alarm will sound again after 5 minutes.

Sleep Time

To set the sleep time, repeatedly press the **SLEEP** button to select from: off, 15, 30, 45, 60, 90 minutes. When the set time has passed, the unit will enter sleep mode.

Select Modes

When in use, press the **MODE** button repeatedly to switch to your desired mode: DAB/DAB+, FM, Bluetooth AUX IN.

Station Information

Press the **INFO/MENU** button to check the station information.

Time Auto Update

The time and date can be updated automatically if the system detects the RDS signal. If the RDS signal is weak or cannot be detected, the time will not automatically update.

Main Menu Setting

Long press the **INFO/MENU** button to enter the main menu setup screen. Find and enter the **<System>** screen by pressing the **ENTER** button. Then use the **<Left/Right>** button to cycle through the menu options: **<Time setup>**, **<Alarms>**, **<Sleep>**, **<Language>**, **<Prune>**, **<Station Order>**, **<Backlight>**, **<Factory reset>**, **<SW version>**.

NOTE: The **<Prune>** and **<Station Order>** are only available in DAB mode.

Select one of the options and then press the **ENTER** button to access that menu.

Time setup

- 1. Set clock:** 00:00(Hour:Minutes), use the **<Left/Right>** and **ENTER** buttons to set.
- 2. Set date:** 01-01-2018(Day-Month-Year), same as the "set clock" setting.
- 3. Auto update:** **<No update>** or **<From radio>**, press **ENTER** button to confirm.
- 4. Set 12/24 hour:** choose your favorite format.

After you finish the steps above, the time is set up manually.

Alarms

When the <Alarms> appears,

1. Press **ENTER** button to enter the alarm setting screen.
2. Choose <Alarm 1: off> or <Alarm 2: off>, press the **ENTER** button to set the alarm **On**.
3. Using the ◀/▶ button to select the **alarm time**, press **ENTER** to confirm.
4. Select the **alarm days**: Daily, Once, Weekdays, Weekends.
5. Set the **alarm mode**: DAB, FM, Buzzer.
6. Set the **alarm volume**: there is a slide bar adjusting the alarm volume, press ◀/▶ button to increase or decrease the volume level, press **ENTER** button to confirm.
7. After all the above settings, enter the **Save** screen, press **ENTER** button to save the alarm.
8. To cancel the alarms, enter the alarm setting screen, press **ENTER** button to select **Off** and then enter save screen to save the alarm off setting.

Sleep (Set sleep time)-briefly press SLEEP button

Enter the Sleep time setting screen to select the sleep time:

off/15/30/45/60/90 minutes.

Language (Set the system language)

Enter Language setting screen, use the ◀/▶ and **ENTER** buttons to set the system language.

Backlight

Enter Backlight setting screen, using the ◀/▶ button to select your desired display backlight level: **3, 2, 1, off**. Then press the **ENTER** button to confirm your selection.

Factory reset

To set the radio to the original settings, enter the Factory reset screen, follow the tips <Factory reset?>, choose <YES> to reset, and the radio will be restarted.

NOTE: You also can press **SCAN** button to adjust the backlight level.

SW version

To check the software version of the system.

Prune the stations (only available in DAB/DAB+ mode)

To remove stations that listed but are unavailable.

Enter the Prune screen, use the ◀/▶ button to select <Yes> or <No>, then press the **ENTER** button to confirm your selection. The unavailable stations now be deleted if you chose <Yes>.

Station order (only available in DAB/DAB+ mode)

Enter the Station order screen, use the ◀/▶ button to select one of the station orders, then press the **ENTER** button to confirm.

DAB/DAB+ Operations

After turn on the radio, press the **MODE** button repeatedly to select and enter **DAB/DAB+ mode**.

Scan Stations

When turning on to DAB/DAB+ mode, the radio will automatically scan the stations it found in this area.

Press the ◀/▶ button to select the previous or next stations, then press the **ENTER** button to activate to play the station.

Station Tuning

Long press the **INFO/MENU** button, when the <Station scan> appears, press the **ENTER** button, then use the ◀/▶ button to cycle through the

scanning options: <Full scan>, <Manual tune>.

1. Select the <Full scan>, and then press **ENTER** button to enable full scanning.
2. Select the <Manual tune> and press **ENTER** button, use ◀/▶ button to select stations from **5A:174.928MHz** to **13F:239.200MHz**. Then press **ENTER** button to activate the selected station.

Store Stations

It is possible to store up to **10** of your favourite DAB stations. This will enable you to access your favourite stations quickly & easily.

1. To store a preset, you must first be listening to the station you would like to save.
2. Press the **PRESET** button.
3. Use the ◀/▶ button to select desired preset number **1-10**.
4. Press and hold the **ENTER** button to confirm.

Recall A Stored Station

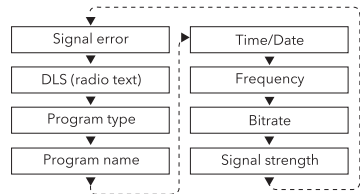
Once you have saved the stations to the preset stations. You can recall by pressing the **PRESET** button.

Press the ◀/▶ button to select the stored stations, and press **ENTER** button to confirm.

Display Mode

Every time you press the **INFO/MENU** button, the display will cycle through the following display modes:

The information is displayed on the lower segment of the LCD display.



Dynamic Label Segment (DLS)

Displays scrolling text information supplied by the broadcaster.

PTY (Programme Type)

Shows the type and description of the programme provided by the DAB/DAB+ station.

Bit Rate

The data rate which the signal is being transmitted.

Frequency

Displays the station's transmission channel number and frequency.

Time and Date

Displays the time and date information provided by the broadcaster.

NOTES: DAB-unlike normal radio, groups together several radio stations and transmits them on one frequency.

FM Operations

Switch to **FM mode** by pressing the **MODE** button.

Select Stations

To search for an FM station from **87.5** to **108.00MHz**.

1. Press the ◀ or ▶ button to skip to go back or go forward the frequency by the step of **0.05MHz**.
2. Long press the ◀ or ▶ button to skip to the previous or next station of the strongest reception. Once a station has been found, it stops scanning automatically. If no station is found, it will stop after it has cycled through the entire frequency.

Tuning Stations

1. Long press the **SCAN** button to scan the stations. During scanning, the screen will display a slide bar that indicate the progress of the scan and the amount of radio stations that have been found so far. Once the scan has finished, the radio will play the first station it found.
2. Long press the **INFO/MENU** button to enter <Audio setting> screen, use the ◀▶ button and press **ENTER** button to choose: <Forced mono> or <Stereo allowed>.

Store Stations

It is possible to store up to **10** of your favourite FM stations. This will enable you to access your favourite FM stations quickly & easily.

1. To store a preset, you must first be listening to the station you would like to save.
2. Press the **PRESET** button.
3. Use the ◀▶ button to select desired preset number **1-10**.
4. Press and hold the **ENTER** button to confirm.

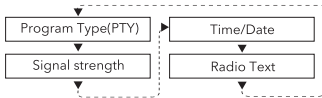
Recall a Stored Station

Once you have saved the stations to the preset stations. You can recall by pressing the **PRESET** button.

Press the ◀▶ button to select the stored stations, and press **ENTER** button to confirm.

Display mode

Press the **INFO/MENU** button to cycle through the FM information provided by the stations:



Bluetooth Operations

Press the **MODE** button repeatedly to select and enter **Bluetooth mode**.

1. Once in Bluetooth mode, "**Connecting**" appears and keeps flashing as the unit tries to connect to previously paired devices. If no devices are found "**Connecting**" continues to flash to indicate it is ready for pairing to a new device.
2. Activate your Bluetooth device and search for a device labelled "**SHARP DR-S460**" in the list.
3. Select and enable pairing for the "**SHARP DR-S460**" device. If prompted for a password, enter "**0000**".
4. If pairing is successful, the unit will sound, and the flashing "**Connecting**" will change to "**Connected**".
5. If connected device goes out of range, the radio will attempt to reconnect for 2 minutes. When the device comes into range, the radio will reconnect again automatically.
6. You should now be able to stream audio wirelessly from your Bluetooth device.
7. To disconnect, press the **MODE** button on the radio to switch to another mode. Or turn off the bluetooth function in your device.

NOTES:

- The operation range of Bluetooth is approximately 7metres. Obstacles in-between devices may reduce this range.
- Only one Bluetooth device can be paired at a time.
- Not all Bluetooth devices are compatible.

Troubleshooting

This product does not contain any parts that are serviceable by the user. In case of a fault, contact the manufacturer or authorised service department. Exposing the internal parts inside the device may endanger your life. The manufacturers guarantee does not extend to faults caused by repairs carried out by unauthorised third parties.

No Sound

Cause

- Volume not turned up.

Solution

- Adjust the main volume knob.

Static Sound

Cause

- Signal reception too low.

Solution

- Adjust the antenna or move the unit to a stronger signal location.

Sound is distorted

Cause

- Volume is too high

Solution

- Reduce the volume

Desired station not found

Cause

- Weak signal

Solution

- Use the Manual Tune function.

NO DAB functions

Cause

- No DAB coverage in your area.
- Poor reception

Solution

- Adjust the position of the aerial.

The display is blank.

Cause

- This may occur if the broadcaster changes the label of a service or removes a label while tuned.

Solution

- The radio will try to retune.
- Perform a scan.

NO Power

Cause

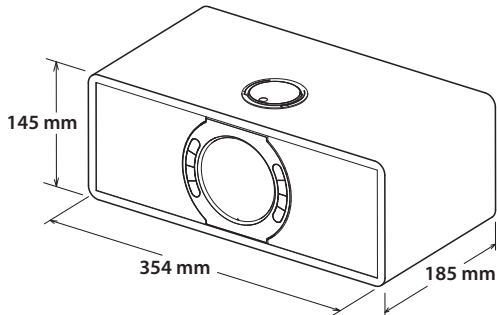
- The adaptor is not connected to the wall outlet.

Solution

- Make sure the adaptor is plugged.

Technical specification

Model	DR-S460
Output Power	2x7W (RMS)
Power Consumption (max.)	26W
Power Consumption Standby	<1W
FM Frequency	87.5-108MHz
DAB+ Frequency	174.928-239.200MHz
Bluetooth	
Version	V 4.2
Frequency bands	2402 MHz ~ 2480 MHz
Maximum power transmitted	4dBm
Power Adapter	
Model name:	FJ-SW1202000N
Input:	AC 100-240V ~ 50/60Hz, 0.6A Max
Output:	DC 12V ≈2000mA
Manufacturer:	SHENZHEN FU JIA APPLIANCE CO., LTD B1,Xujing chang Industrial Park, Haoye Road, Fuyong 518103 Shenzhen, China



KG 2,95kg

Wichtige Sicherheitsanweisungen

Bitte lesen Sie sich diese Sicherheitsanweisungen durch und beachten Sie, bevor Sie das Gerät in Betrieb nehmen, auf die folgenden Warnhinweise:



Das Dreieckszeichen mit Ausrufungszeichen verweist auf wichtige Funktions- und Wartungshinweise (Reparatur) in der dem Gerät beigelegten Bedienungsanleitung.



Benutzen Sie nur die Energieversorgung, die in der Bedienungsanleitung angegeben ist.



Dieses Symbol bedeutet, dass das Produkt auf umweltfreundliche Weise und nicht mit dem gewöhnlichen Haushaltsmüll entsorgt werden sollte.



Wechselspannung



Gleichspannung



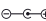
Gerät der Klasse II



Nur für den Innenbereich



Energieeffizienzkenzeichnung mit Stufe VI

 Polarität des Gleichstromsteckers

Halten Sie Kerzen und offenes Feuer von diesem Produkt fern, um einen Brand zu vermeiden.



Warnung:

- Halten Sie sich während der Nutzung dieses Geräts immer an die allgemeinen Sicherheitshinweise, insbesondere, wenn Kinder in der Nähe sind.
- Kinder sollten beaufsichtigt werden, um sicherzustellen, dass sie nicht mit dem Gerät spielen.
- Das Stromkabel darf weder beschädigt, noch dürfen schwere Objekte darauf abgelegt werden, außerdem dürfen Sie es nicht dehnen oder verbiegen. Schließen Sie keine Verlängerungskabel an. Schäden am Stromkabel können zu einem Feuer oder Stromschlag führen.
- Das Stromkabel darf weder beschädigt, noch dürfen schwere Objekte darauf abgelegt werden, außerdem dürfen Sie es nicht dehnen oder verbiegen. Schließen Sie auch keine Verlängerungskabel an. Schäden am Stromkabel können zu einem Feuer oder Stromschlag führen.
- Wenn das Stromversorgungskabel beschädigt ist, muss es vom Hersteller, einem Servicetechniker oder einer ähnlich qualifizierten Person ausgetauscht werden, um Gefährdungen zu vermeiden.
- Stellen Sie sicher, dass die Einheit an eine AC 110-240V 50/60Hz Steckdose angeschlossen wird. Eine höhere Spannung kann zu Fehlfunktionen oder sogar zu einem Brand führen.
- Wenn der Netzstecker nicht in die Steckdose passt, dürfen Sie ihn nicht mit Gewalt einstecken.
- Wenn der Stecker nicht in die Steckdose passt, dürfen Sie keine Gewalt anwenden, um einen nicht passenden Stecker in die Steckdose zu drücken.
- Schalten Sie die Einheit aus, bevor Sie sie von der Stromversorgung trennen, um sie so vollständig abzuschalten.
- Wenn das Gerät längere Zeit nicht benutzt wird, trennen Sie es von der Stromversorgung.
- Vermeiden Sie es, das Stromkabel mit nassen Händen anzuschließen oder zu trennen. Dies könnte andernfalls zu einem Stromschlag führen.
- Trennen Sie das Stromkabel, wenn es längere Zeit nicht verwendet wird.

- Stellen Sie sicher, dass der Hauptstecker immer leicht zugänglich ist.
- Dieses Produkt enthält keine Teile, die vom Benutzer gewartet werden können. Setzen Sie sich im Fall eines Defekts mit dem Hersteller oder der autorisierten Kundenabteilung in Verbindung. Teile aus dem Inneren des Geräts freizulegen kann lebensgefährlich sein. Die Garantie der Hersteller gilt nicht für Defekte, die durch von nicht autorisierte Dritten durchgeführte Reparaturen entstehen.
- Benutzen Sie dieses Produkt nicht direkt nach dem Auspacken. Warten Sie, bis es sich auf Zimmertemperatur erwärmt hat, ehe sie es einschalten.
- Stellen Sie sicher, dass dieses Produkt ausschließlich in Umgebungen mit mildem Klima verwendet wird (kein tropisches oder subtropisches Klima).
- Stellen Sie das Produkt auf eine flache, stabile Oberfläche, die keinen Erschütterungen ausgesetzt ist.
- Das Produkt und dessen Teile dürfen nicht über die Kante deklarierten Möbelstücker hinausragen.
- Um das Risiko eines Feuers, Stromschlags oder Schäden an diesem Produkt zu reduzieren, sollten Sie es nicht direktem Sonnenlicht, Staub, Regen oder Feuchtigkeit aussetzen. Setzen Sie es niemals tropfendem oder spritzendem Wasser aus und positionieren Sie keine mit Flüssigkeiten gefüllten Objekte auf oder neben dem Produkt.
- Setzen Sie keine mit Flüssigkeit gefüllten Objekte wie Vasen auf das Gerät.
- Installieren Sie das Produkt nicht in der Nähe von Heizquellen, wie etwa Heizungen, Heizregister, Öfen oder anderen Apparaten (einschließlich Verstärker), die Hitze produzieren.
- Platzieren Sie das Gerät nicht an Orten mit hoher Feuchtigkeit und mangelhafter Belüftung.
- Sorgen Sie für einen Mindestabstand von 5 cm rund um das Gerät, um eine ausreichende Belüftung sicherzustellen. Vermeiden Sie es, Belüftungsöffnungen an diesem Produkt zu blockieren. Sorgen Sie immer dafür, dass die Belüftungsöffnungen nicht durch Gegenstände, z. B. Zeitungen, Tischdecken, Gardinen usw. verdeckt sind.
- Lassen Sie NIEMALS jemanden, ganz besonders nicht Kinder, etwas in die Löcher, Spalten oder anderen Öffnungen des Gerätegehäuses stopfen, da dies zu einem folgenschweren Stromschlag führen kann.
- Gewitter sind für alle elektrischen Geräte gefährlich. Wenn das Strom- oder Antennenkabel vom Blitz getroffen wird, kann das Gerät, auch wenn es ausgeschaltet ist, beschädigt werden. Bei einem herannahenden Gewitter sollten Sie alle Kabel und Stecker des Gerätes ausstecken.
- Ein exzessiver Schalldruck von Kopfhörern kann zu einem Hörverlust führen.

Wartung

- Trennen Sie vor dem Reinigen des Geräts das Stromkabel von der Stromquelle.
- Verwenden Sie einen weichen und sauberen Lappen, um die Außenflächen der Einheit zu reinigen. Verwenden Sie beim Reinigen niemals Chemikalien oder Reinigungsmittel.

Netzadapter

- Um die Einheit von der Stromversorgung zu trennen, trennen Sie das Netzkabel von der Steckdose.
- Benutzen Sie nur den mitgelieferten Netzadapter, andernfalls kann es zu einem Sicherheitsrisiko/einer Beschädigung des Gerätes kommen.

Entsorgung dieses Geräts

- Entsorgen Sie dieses Gerät niemals über den normalen Hausmüll. Geben Sie es entsprechend den gesetzlichen Regelungen vor Ort bei dem für das Recycling von WEEE vorgesehenen Sammelpunkt ab. Damit helfen Sie, Ressourcen einzusparen und die Umwelt zu schützen.



- Die oben aufgeführten Hinweise sind auf elektrischen und elektronischen Geräten und Batterien (oder der Verpackung) zu finden, um Nutzer entsprechend zu erinnern. Nutzer werden darum gebeten, für gebrauchte Geräte und Batterien bestehende Rückgabeeinrichtungen zu nutzen.

CE-Konformitätserklärung:

- Die Universal Media Corporation s.r.o erklärt hiermit, dass dieses Audiogerät die wesentlichen Anforderungen und weitere entsprechende Vorschriften der RED-Verordnung 2014/53/EU einhält. Der vollständige Text der EU-Konformitätserklärung ist unter folgender Internetadresse erhältlich: <http://www.sharpconsumer.eu/documents-of-confirmity>

Markenzeichen:



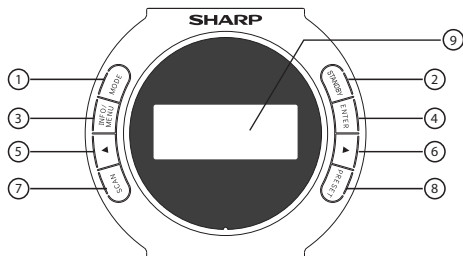
Die *Bluetooth*® Wortmarke und Logos sind geschützte Marken der Bluetooth SIG Inc.

Was befindet sich im Karton:

- 1 x Hauptgerät
- 1 x Benutzerhandbuch
- 1 x Schnellstart-Handbuch
- 1 x Netzadapter
- 1x Wechselstromstecker für Netzadapter (Vereinigtes Königreich)
- 1x Wechselstromstecker für Netzadapter (Europäische Union)

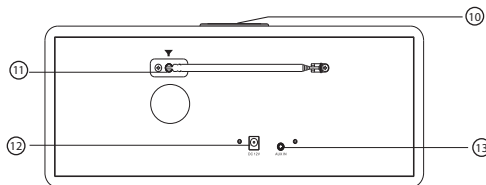
Panels und Bedienelemente

Vorderseite



1. **MODE** – Drücken Sie, um die Modi zu ändern: DAB / DAB +, FM, Bluetooth, AUX IN.
2. **STANDBY** – Drücken Sie diese Taste, um das Gerät einzuschalten oder in den Standby-Modus zu wechseln.
3. **INFO/MENU** – Drücken Sie, um die Senderinformationen anzuzeigen, oder rufen Sie das Hauptmenü auf.
4. **ENTER** – Drücken Sie, um Ihre Auswahl zu bestätigen.
5. **PREVIOUS** ◀ – Drücken Sie, um zur vorherigen Auswahl zurückzukehren oder die Frequenz zu verringern oder suchen Sie nach dem vorherigen stärksten Sender.
6. **NEXT** ▶ – Drücken Sie, um zur nächsten Auswahl zu gelangen, oder um die Frequenz zu erhöhen, oder suchen Sie den nächsten Sender.
7. **SCAN** – Verwenden Sie diese Option, um die Radiosender zu scannen oder die Hintergrundbeleuchtung einzustellen.
8. **PRESET** – Drücken Sie, um die gespeicherten Sender abzurufen.
9. **DISPLAY SCREEN** – Um die Informationen anzuzeigen.

Rückseite



10. **Volume** – Drehen Sie den Lautstärkeregler, um die Lautstärke einzustellen.
11. **FM Antenna** – Um das FM-Signal zu empfangen.
12. **DC Power input** – Gleichstrom 12V
13. **AUX IN jack** – Schließen Sie das 3,5-mm-Audiokabel an diese Buchse an, um die externe Audiomusik zu genießen.

Allgemeine Betriebsanleitung

Netzadapter (beiliegend)

Schließen Sie den Netzadapter an die **Gleichstrom-Stromversorgungsbuchse (DC)** auf der Rückseite des Radios an.

Den besten Empfang erhalten

Teleskopantenne maximal ausfahren.

Das Radio einschalten

Drücken Sie zum Einschalten des Radios die Taste **STANDBY (STAND-BY)**.

In den Stand-by-Modus schalten

Wenn das Radio läuft, drücken Sie lange die Taste **STANDBY (STAND-BY)**, um den Stand-by-Modus zu aktivieren. Erneut drücken, um das Radio aufzuwecken. Das Radio schaltet ohne Betrieb automatisch nach 15 Minuten in den Stand-by-Modus.

Lautstärkeregelung

Drehen Sie den **Lautstärkeregler**, um die Lautstärke auf ein angenehmes Niveau einzustellen. Wenn Sie bei hoher Lautstärke Radio hören, kann Ihr Gehör geschädigt werden. Vermeiden Sie es, über einen längeren Zeitraum bei hoher Lautstärke Radio zu hören.

Die erste Benutzung des Radios

Wenn Sie das Radio zum ersten Mal einschalten, startet es automatisch den Sendersuchlauf. Während des Suchlaufs wird auf dem Bildschirm ein Schiebepalken angezeigt, der den Fortschritt des Suchlaufs und die Anzahl der bisher gefundenen Sender anzeigt. Sobald der Suchlauf abgeschlossen ist, spielt das Radio den zuerst gefundenen Sender ab.

Snooze-Funktion (Schlummer)

Wenn der Alarm im Stand-by-Modus ertönt, drehen Sie am **Lautstärkeregler**, um die Funktion **SNOOZE (SCHLUMMER)** zu aktivieren. Der Alarm ertönt nach 5 Minuten erneut.

Schlafzeit

Um die Schlafzeit einzustellen, drücken Sie wiederholt die Taste **SLEEP (SCHLAF)**, um eine der folgenden Optionen auszuwählen: aus, 15, 30, 45, 60, 90 Minuten.

Wenn die Zeit vorbei ist, wird der Schlafmodus des Geräts aktiviert.

Modi wählen

Wenn das Radio läuft, drücken Sie wiederholt die Taste **MODE/STANDBY (MODUS/STAND-BY)**, um zu ihrem gewünschten Modus umzuschalten: DAB/DAB+, FM, Bluetooth, AUX IN.

Senderinformationen

Drücken Sie die Taste **INFO/MENU (INFO/MENÜ)**, um die Senderinformationen aufzurufen.

Automatische Aktualisierung der Zeit

Die Uhrzeit und das Datum können automatisch aktualisiert werden, wenn das System das RDS-Signal erkennt. Wenn das RDS-Signal schwach ist oder nicht erkannt werden kann, wird die Zeit nicht automatisch aktualisiert.

Hauptmenü-Einstellung

Drücken Sie lange die Taste **INFO/MENU (INFO/MENÜ)**, um den Einstellungsbildschirm des Hauptmenüs aufzurufen. Suchen Sie den Bildschirm **<System>** und rufen Sie ihn auf, indem Sie die Taste **SCAN (SCAN)** drücken. Benutzen Sie dann die Taste **</>**, um durch die Menüoptionen zu blättern: **<Time setup>** (Zeiteinstellung), **<Alarms>** (Alarmer), **<Sleep>** (Schlaf), **<Language>** (Sprache), **<Prune>** (Bereinigen), **<Station Order>** (Senderreihenfolge), **<Backlight>** (Hintergrundbeleuchtung), **<Factory reset>** (Werkseinstellung), **<SW version>** (Software-Version).

HINWEIS: Die Optionen **<Prune>** (Bereinigen) und **<Station Order>** (Senderreihenfolge) sind nur im DAB-Modus verfügbar.

Wählen Sie eine der Optionen und drücken Sie anschließend die Taste **ENTER (EINGABE)**, um dieses Menü aufzurufen.

Zeiteinstellung

- Einstellen der Uhr:** 00:00 (Stunden:Minuten), benutzen Sie zur Einstellung die Tasten ◀/▶ und **ENTER (EINGABE)**.
- Datum einstellen:** 01-01-2018 (Tag-Monat-Jahr), ebenso wie die Einstellung unter „Einstellen der Uhr“.
- Automatisches Update:** <No update> (Kein Update) oder <From radio> (Von Radio); drücken Sie zur Bestätigung die Taste **ENTER (EINGABE)**.
- 12/24 Stunden einstellen:** Wählen Sie Ihr bevorzugtes Format aus. Nachdem Sie die oberen Schritte durchgeführt haben, wurde die Zeit manuell eingestellt.

Alarme

Wenn <Alarms> (Alarme) erscheint,

- drücken Sie die Taste **ENTER (EINGABE)**, um den Alarm-Einstellungsbildschirm aufzurufen.
- Wählen Sie <Alarm 1: off> (Alarm 1: aus) oder <Alarm 2: off> (Alarm 2: aus), drücken Sie die Taste **ENTER (EINGABE)**, um den Alarm auf **On (Ein)** zu schalten.
- Mit der Taste ◀/▶ wählen Sie die **Alarmzeit**; drücken Sie zur Bestätigung **ENTER (EINGABE)**.
- Wählen Sie die **Alarmtage**: Daily (Täglich), Once (Einmal), Weekdays (Wochentage), Weekends (Wochenende).
- Stellen Sie den **Alarmmodus** ein: DAB, FM, Buzzer (Summer).
- Stellen Sie die **Alarmlautstärke** ein: Es gibt einen Schiebepalken zur Anpassung der Alarmlautstärke; drücken Sie die Taste ◀/▶, um die Lautstärke zu erhöhen oder zu senken; drücken Sie zur Bestätigung die Taste **ENTER (EINGABE)**.
- Rufen Sie nach all diesen oberen Einstellungen den Bildschirm **Save (Speichern)** auf; drücken Sie die Taste **ENTER (EINGABE)**, um den Alarm abzuspeichern.
- Um die Alarme abzubrechen, rufen Sie den Bildschirm der Alarmeinstellungen auf, drücken die Taste **ENTER (EINGABE)**, um **Off (Aus)** auszuwählen, und rufen dann den Speicherbildschirm auf, um die Alarm-Aus-Einstellung abzuspeichern.

Sleep (Set sleep time) [Schlaf (Schlafzeit einstellen)] – Drücken Sie kurz die Taste SLEEP (SCHLAF)

Rufen Sie den Einstellungsbildschirm der Schlafzeit auf, um die Schlafzeit auszuwählen: **aus/15/30/45/60/90 Minuten**.

Sprache (Einstellen der Systemsprache)

Rufen Sie den Bildschirm der Spracheinstellung auf; benutzen Sie die Tasten ◀/▶ und **ENTER (EINGABE)**, um die Systemsprache einzustellen.

Hintergrundbeleuchtung

Rufen Sie den Bildschirm der Hintergrundbeleuchtung auf; benutzen Sie die Taste ◀/▶, um Ihre bevorzugte Helligkeit der Hintergrundbeleuchtung auszuwählen: **3, 2, 1, aus**. Drücken Sie anschließend die Taste **ENTER (EINGABE)**, um Ihre Auswahl zu bestätigen.

Werkseinstellungen

Um das Radio auf die ursprünglichen Einstellungen zurückzusetzen, rufen Sie den Bildschirm der Werkseinstellungen auf, und befolgen sie die Tipps <Factory reset?> (Werkseinstellungen?), wählen zum Zurücksetzen <YES> (JA), und das Radio wird neu gestartet.

HINWEISE: Sie können auch die **SCAN-Taste** drücken, um die Hintergrundbeleuchtung einzustellen.

Software-Version

Zum Überprüfen der Software-Version des Systems.

Sender bereinigen (nur im Modus DAB/DAB+ verfügbar)

Um Sender zu entfernen, die aufgelistet, aber nicht verfügbar sind. Rufen Sie den Bildschirm „Prune“ (Bereinigen) auf; benutzen Sie die Taste ◀/▶, um <Yes> (Ja) oder <No> (Nein) auszuwählen; drücken Sie anschließend die Taste **ENTER (EINGABE)**, um Ihre Auswahl zu bestätigen. Wenn Sie jetzt <Yes> (Ja) auswählen, werden die nicht verfügbaren Sender gelöscht.

Senderreihenfolge (nur im Modus DAB/DAB+ verfügbar)

Rufen Sie den Bildschirm der Senderreihenfolge auf; benutzen Sie die Taste ◀/▶ zur Auswahl der Senderreihenfolge; drücken Sie anschließend zur Bestätigung die Taste **ENTER (EINGABE)**.

Betrieb DAB/DAB+

Drücken Sie nach dem Einschalten des Radios wiederholt die Taste **MODE (MODUS)**, um den Modus **DAB/DAB+** auszuwählen und aufzurufen.

Sendersuchlauf

Wenn Sie den Modus DAB/DAB+ einschalten, sucht das Radio automatisch die Sender, die in diesem Gebiet gefunden werden können. Drücken Sie die Taste ◀/▶, um die vorherigen oder nächsten Sender auszuwählen; drücken Sie anschließend die Taste **ENTER (EINGABE)**, um den Sender zu aktivieren und wiederzugeben.

Sender einstellen

Drücken Sie lange auf die Taste **INFO/MENU (INFO/MENÜ)**, wenn <Station scan> (Sendersuchlauf) erscheint; drücken Sie auf die Taste **ENTER (EINGABE)**; benutzen Sie anschließend die Taste ◀/▶, um durch die Suchlaufoptionen zu blättern: <Full scan> (Vollständiger Suchlauf), <Manual tune> (Manuelle Einstellung).

- Wählen Sie <Full scan> (Vollständiger Suchlauf) aus und drücken Sie die Taste **ENTER (EINGABE)**, um den vollständigen Suchlauf zu aktivieren.
- Wählen Sie <Manual tune> (Manuelle Einstellung) aus und drücken Sie die Taste **ENTER (EINGABE)**; benutzen Sie die Taste ◀/▶, um die Sender von **5A:174,928 MHz bis 13F:239,200 MHz** auszuwählen. Drücken Sie anschließend die Taste **ENTER (EINGABE)**, um den ausgewählten Sender zu aktivieren.

Sender speichern

- Sie können bis zu **10** Ihrer Lieblings-DAB-Sender abspeichern. So können Sie Ihre Liebingsender schnell und einfach aufrufen.
- Um eine Voreinstellung zu speichern, müssen Sie zunächst den Sender anhören, den Sie speichern möchten.
- Drücken Sie die Taste **PRESET (VOREINSTELLUNG)**.
- Benutzen Sie die Taste ◀/▶, um die gewünschte Voreinstellungsnummer **1-10** auszuwählen.
- Drücken Sie die Taste **ENTER (EINGABE)** und halten Sie diese Taste gedrückt, um Ihre Auswahl zu bestätigen.

Aufrufen eines gespeicherten Senders

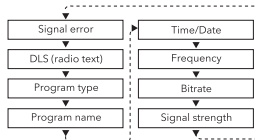
Nachdem Sie die Sender als Voreinstellungssender abgespeichert haben. Sie können die abgespeicherten Sender mit der Taste **PRESET (VOREINSTELLUNG)** aufrufen.

Drücken Sie die Taste ◀/▶, um die gespeicherten Sender auszuwählen, und drücken Sie zur Bestätigung die Taste **ENTER (EINGABE)**.

Anzeigemodus

Bei jedem Drücken der Taste **INFO/MENU (INFO/MENÜ)** schaltet die Anzeige durch folgende Anzeigemodi:

Die Informationen werden im unteren Bereich des LCD-Displays angezeigt.



Dynamic Label Segment – DLS (Digitaler Begleittext)

Zeigt Laufzeit-Daten an, die vom Sender bereitgestellt werden.

PTY (Programmart)

Zeigt die Art und die Beschreibung des Programms an, die vom Sender DAB/DAB+ bereitgestellt werden.

Bitrate

Die Datenrate, mit der das Signal übertragen wird.

Frequenz

Zeigt die Nummer des Übertragungskanals und die Frequenz an.

Zeit und Datum

Zeigt die Zeit- und Datumsinformationen an, die vom Sender bereitgestellt werden.

HINWEISE: DAB – Gruppirt im Gegensatz zum normalen Radio einige Radiosender und überträgt sie auf einer Frequenz.

FM-Betrieb

Schalten Sie in den **FM-Modus**, indem Sie die Taste **MODE (MODUS)** drücken.

Senderauswahl

Um nach einem FM-Sender zwischen **87,5** und **108,00 MHz** zu suchen.

1. Drücken Sie die Taste ◀ oder ▶, um die Frequenz in Schritten von **0,05 MHz** zu erhöhen oder zu verringern.
2. Drücken Sie lange auf die Taste ◀ oder ▶, um zum vorherigen oder nächsten Sender mit dem stärksten Empfang zu wechseln. Sobald ein Sender gefunden wurde, wird der Suchlauf automatisch angehalten. Wenn kein Sender gefunden wird, wird der Suchlauf angehalten, sobald er alle Frequenzen durchsucht hat.

Sender einstellen

1. Drücken Sie lange die Taste **SCAN (SCAN)**, um den Sendersuchlauf zu starten. Während des Suchlaufs wird auf dem Bildschirm ein Schieberegler angezeigt, der den Fortschritt des Suchlaufs und die Anzahl der bisher gefundenen Sender anzeigt. Sobald der Suchlauf abgeschlossen ist, spielt das Radio den zuerst gefundenen Sender ab.
2. Drücken Sie lange die Taste **INFO/MENU**, um den Bildschirm <Audio setting> aufzurufen. Verwenden Sie die Taste ◀/▶, und drücken Sie die Taste **ENTER**, um Folgendes auszuwählen: <Forced mono> oder <Stereo allowed>.

Sender speichern

Sie können bis zu 10 Liebblingssender speichern. So können Sie Ihre Liebblingssender schnell und einfach aufrufen.

1. Um eine Voreinstellung zu speichern, müssen Sie zunächst den Sender anhören, den Sie speichern möchten.
2. Drücken Sie die Taste **PRESET (VOREINSTELLUNG)**.
3. Benutzen Sie die Taste ◀/▶, um die gewünschte Voreinstellungsnummer **1-10** auszuwählen.
4. Drücken Sie die Taste **ENTER (EINGABE)** und halten Sie diese Taste gedrückt, um Ihre Auswahl zu bestätigen.

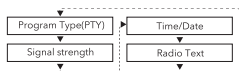
Aufrufen eines gespeicherten Senders

Nachdem Sie die Sender als Voreinstellungssender abgespeichert haben. Sie können die abgespeicherten Sender mit der Taste **PRESET (VOREINSTELLUNG)** aufrufen.

Drücken Sie die Taste ◀/▶, um die gespeicherten Sender auszuwählen, und drücken Sie zur Bestätigung die Taste **ENTER (EINGABE)**.

Anzeigemodus

Drücken Sie die Taste **INFO/MENU (INFO/MENÜ)**, um durch die von den Sendern bereitgestellten Informationen zu blättern:



Bluetooth-Betrieb

Drücken Sie wiederholt die Taste **MODE (MODUS)**, um den **Bluetooth-Modus** auszuwählen und aufzurufen.

1. Sobald der Bluetooth-Modus aufgerufen wurde, erscheint **„Connecting“ (Verbindung läuft)** und blinkt weiter, da das Gerät versucht, sich mit zuvor verbundenen Geräten zu verbinden. Wenn keine Geräte gefunden werden, blinkt **„Connecting“ (Verbindung läuft)** weiter, um anzuzeigen, dass es für die Verbindung mit einem neuen Gerät bereit ist.
2. Aktivieren Sie Ihr Bluetooth-Gerät und suchen Sie in der Liste nach einem Gerät mit der Bezeichnung **„SHARP DR-S460“**.
3. Wählen Sie das Gerät **„SHARP DR-S460“** aus und aktivieren Sie die Verbindung (Pairing). Wenn Sie nach einem Passwort gefragt werden, geben Sie **„0000“** ein.
4. Wenn die Verbindung (Pairing) erfolgreich ist, spielt das Gerät den Audiostream ab und das blinkende **„Connecting“ (Verbindung läuft)** ändert sich zu **„Connected“ (Verbunden)**.
5. Wenn sich das verbundene Gerät aus der Reichweite des Radios entfernt, versucht das Radio 2 Minuten lang, sich erneut zu verbinden. Wenn das Gerät wieder in Reichweite kommt, verbindet sich das Radio automatisch wieder damit.
6. Sie sollten nun Audiostreams drahtlos von Ihrem Bluetooth-Gerät übertragen können.
7. Drücken Sie zum Trennen die Taste **MODE** auf Ihrem Radio, um zu einem anderen Modus zu schalten. Oder schalten Sie die Bluetooth-Funktion auf Ihrem anderen Gerät aus.

HINWEISE:

- Die **Bluetooth-Reichweite beträgt ungefähr 7 Meter**.
Hindernisse zwischen den Geräten können diese Reichweite verringern.
- Es kann nur ein **Bluetooth-Gerät gleichzeitig verbunden werden**.
- **Nicht alle Bluetooth-Geräte sind kompatibel**.

Problembehandlung

Dieses Produkt enthält keine Teile, die vom Benutzer gewartet werden können. Setzen Sie sich im Fall eines Defekts mit dem Hersteller oder der autorisierten Kundenabteilung in Verbindung. Teile aus dem Inneren des Geräts freizulegen kann lebensgefährlich sein. Die Garantie der Hersteller gilt nicht für Defekte, die durch von nicht autorisierte Dritten durchgeführte Reparaturen entstehen.

Kein Ton

Ursache

- Lautstärke nicht aufgedreht

Lösung

- Stellen Sie den Lautstärke-regler hoch

Ton verzerrt

Ursache

- Lautstärke zu hoch

Lösung

- Verringern Sie die Lautstärke

Keine DAB-Funktionen

Ursache

- Kein DAB-Empfang in Ihrer Gegend
- Schlechter Empfang

Lösung

- Ausrichtung der Antenne ändern

Kein Strom

Ursache

- Der Adapter ist nicht mit einer Wandsteckdose verbunden

Lösung

- Vergewissern Sie sich, dass der Adapter eingesteckt ist

Statisches Geräusch

Ursache

- Signalempfang zu niedrig.

Lösung

- Richten Sie die Antenne anders aus oder stellen Sie das Gerät an einen Ort mit einem stärkeren Signal

Gewünschter Sender nicht gefunden

Ursache

- Schwaches Signal

Lösung

- Verwenden Sie die manuelle Suchfunktion

Das Display ist leer

Ursache

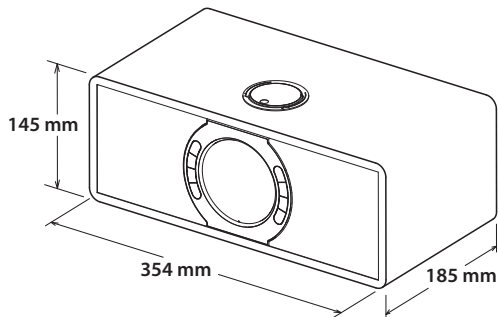
- Dies kann passieren, wenn der Sender die Benennung eines Services ändert oder eine Benennung während der Einstellung löscht

Lösung

- Das Radio wird versuchen, sich neu einzustellen
- Führen Sie einen Suchlauf durch.

Technische Angaben

Modell	DR-S460
Ausgangsstrom	2x7W (RMS)
Stromverbrauch (max.)	26W
Stromverbrauch im Stand-by	<1W
FM-Frequenz	87.5-108MHz
Frequenz DAB+	174.928-239.200MHz
Bluetooth	
Version	V 4.2
Frequenzbänder	2402 MHz ~ 2480 MHz
Maximaler übertragener Strom	4dBm
Netzadapter	
Modellname:	FJ-SW1202000N
Eingang:	AC 100-240V ~ 50/60Hz, 0.6A Max
Ausgang:	DC 12V ≈ 2000mA
Hersteller:	SHENZHEN FU JIA APPLIANCE CO., LTD B1,Xujing chang Industrial Park, Haoye Road, Fuyong 518103 Shenzhen, China



KG 2,95kg

Instrucciones de seguridad importantes

Lea estas instrucciones de seguridad y respete las siguientes advertencias antes de utilizar el aparato:



La finalidad de la marca de admiración dentro de un triángulo equilátero es avisar al usuario de la presencia de instrucciones importantes de uso y mantenimiento (servicio) en el manual que acompaña al aparato.



Utilice la fuente de alimentación enumerada en el manual de usuario.



Este símbolo significa que el producto debe eliminarse de manera respetuosa con el medio ambiente y no con los residuos domésticos generales.



Tensión de CA



Tensión de CC



Equipo de clase II



Solo para uso en interiores



Etiquetado de eficiencia energética de nivel VI



Polaridad del conector de corriente continua

Para evitar incendios mantenga siempre las velas u otras llamas al descubierto lejos del producto.



Advertencia:

- Respete siempre las precauciones básicas de seguridad cuando utilice este electrodoméstico, especialmente cuando si hay niños presentes.
- Los niños deben ser supervisados para asegurarse de que no juegan con el aparato.
- No dañe el cable de alimentación, no coloque objetos pesados encima, no lo estire ni lo doble. No conecte alargadores. Los daños en el cable de alimentación pueden ocasionar incendios o descargas eléctricas.
- Si el cable de alimentación presenta algún daño, deberá ser sustituido por el fabricante, el servicio técnico o personas con una cualificación similar para evitar que se produzcan situaciones de peligro.
- Asegúrese de que la unidad está conectada a una toma de corriente de CA de 100-240 V y 50/60 Hz. El uso de una tensión superior puede causar el mal funcionamiento de la unidad o incluso presentar riesgo de incendio.
- Si el enchufe de corriente no entra en la toma, no lo fuerce.
- Apague la unidad antes de desenchufarla de la corriente para desconectarla por completo.
- No conecte ni desconecte el cable de alimentación con las manos mojas, ya que podría producirse una descarga eléctrica.
- Desconecte el cable de alimentación si la unidad no se va a utilizar durante un período prolongado de tiempo.
- Si la unidad no se va a usar durante un largo periodo de tiempo, desconéctela de la alimentación.
- Asegúrese de que el enchufe de alimentación resulta fácilmente accesible.
- Este producto no contiene ninguna pieza que pueda ser reparada por el usuario. En caso de avería, póngase en contacto con el fabricante o el servicio técnico autorizado. La exposición de ciertas partes internas del dispositivo puede poner en peligro su vida. La garantía del fabricante no cubre las averías resultantes de reparaciones llevadas a cabo por terceros.

- No utilice este producto inmediatamente tras desembalar. Espere a que se caliente a la temperatura ambiente antes de utilizarlo.
- Asegúrese de utilizar el producto en climas moderados únicamente (no en climas tropicales o subtropicales).
- Coloque el producto en una superficie plana estable y no expuesta a vibraciones.
- Asegúrese de que el producto y sus partes no sobresalen de los bordes del mueble sobre el que se coloca.
- Para reducir el riesgo de incendio, descarga eléctrica o daño en el producto, no lo exponga directamente a la luz del sol, polvo, lluvia o humedad. No exponga nunca este producto a gotas o derramamientos y no coloque objetos llenos de líquido sobre o cerca de este.
- No coloque objetos con líquidos, como jarrones, sobre el aparato.
- No instale el aparato cerca de ninguna fuente de calor, como radiadores, salidas de aire caliente, estufas u otros aparatos (incluidos amplificadores) que produzcan calor.
- No coloque el producto en espacios húmedos o con ventilación deficiente.
- Asegúrese de dejar una distancia mínima de 5 cm en torno al aparato para garantizar una ventilación adecuada. No obstruya las aberturas de ventilación de este producto. Evite siempre la obstrucción de las ranuras de ventilación con objetos como periódicos, manteles, cortinas, etc.
- No permita que nadie, especialmente los niños, introduzca elementos en los orificios, ranuras ni en ninguna apertura de la carcasa de la unidad, ya que podrían dar lugar a descargas eléctricas mortales.
- Las tormentas son peligrosas para todos los aparatos eléctricos. Si el cable de alimentación o el cableado de la antena es alcanzado por un rayo, el aparato puede resultar dañado, incluso si no está encendido. Debe desconectar todos los cables y conectores del aparato antes de una tormenta.
- La presión acústica excesiva de los auriculares y los cascos puede causar la pérdida del sentido auditivo.

Mantenimiento

- Desenchufe el cable de alimentación de la toma de corriente antes de limpiar la unidad.
- Utilice un paño suave y limpio para limpiar la parte exterior de la unidad. No utilice nunca productos químicos ni detergentes.

Adaptador de corriente

- Para desconectar la unidad del suministro eléctrico, desenchufe el cable de la toma de corriente.
- Utilice únicamente el adaptador de red suministrado, de lo contrario podrían producirse riesgos para la seguridad o daños en la unidad.

Eliminación de este equipo y las pilas

- No elimine este producto como residuo urbano no seleccionado. Entréguelos en un punto de recogida designado para el reciclado de aparatos electrónicos y eléctricos de acuerdo con la ley local. De esta forma, ayudará a conservar los recursos y a proteger el medio ambiente.



- El símbolo anterior mostrado en equipos eléctricos y electrónicos (o en el embalaje) tiene por objeto recordar a los usuarios esta circunstancia.
- Se solicita a los usuarios que utilicen las instalaciones de devolución existentes para equipos usados.

Declaración CE:

- Por la presente, UMC Poland sp. z o.o. declara que este dispositivo sonoro cumple los requisitos esenciales y otras disposiciones pertinentes de la Directiva RED 2014/53/UE. El texto completo de la declaración de conformidad de la UE está disponible en el siguiente enlace <http://www.sharpconsumer.eu/documents-of-confirmity>

Marcas comerciales:



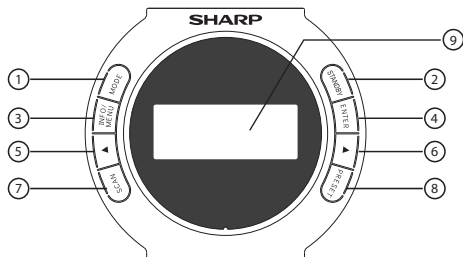
La marca denominativa *Bluetooth*[®] y sus logotipos son marcas comerciales propiedad de Bluetooth SIG, Inc.

Contenido de la caja

- 1 unidad
- 1 manual de instrucciones
- 1 guía de inicio rápido
- 1 adaptador de corriente
- 1 adaptador de enchufe de CA para el Reino Unido
- 1 adaptador de enchufe de CA para la UE

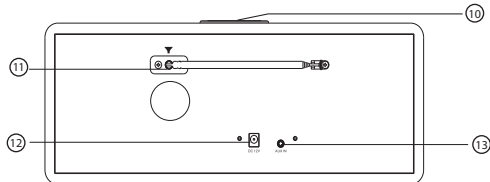
Paneles y controles

Panel frontal



1. **MODE** – Presione para cambiar los modos: DAB / DAB +, FM, Bluetooth, ENTRADA AUX.
2. **STANDBY** – Presione este botón para encender la unidad o entrar al modo de espera.
3. **INFO/MENU** – Presione para ver la información de la estación o ingrese a la pantalla de configuración del menú principal.
4. **ENTER** – Presione para confirmar sus selecciones.
5. **PREVIOUS** ◀ – Presione para volver a las selecciones anteriores, o para disminuir la frecuencia, o buscar la estación más fuerte anterior.
6. **NEXT** ▶ – Presione para avanzar a la siguiente selección, o para aumentar la frecuencia, o buscar la siguiente estación más fuerte.
7. **SCAN** – Utilícelo para escanear las estaciones de radio o para ajustar el nivel de luz de fondo.
8. **PRESET** – Presione para recuperar las estaciones preestablecidas.
9. **DISPLAY SCREEN** – Para mostrar la información.
10. **Volume** – Gire la perilla de volumen para ajustar el nivel de volumen.

Panel posterior



11. **FM Antenna** – Para recibir la señal de FM.
12. **DC Power input** – DC 12V
13. **AUX IN jack** – Conecte el cable de audio de 3.5 mm a esta toma para disfrutar de la música de audio externa.

Instrucciones generales de uso

Adaptador de corriente (suministrado con el paquete)

Conecte el adaptador a la **toma de corriente continua** en la parte posterior de la radio.

Obtención de la mejor señal

Extienda la antena telescópica todo lo posible.

Encendido de la radio

Pulse el botón **STANDBY** para encender la unidad.

Cambio al modo en espera

Con la radio encendida, pulse el botón **STANDBY** para activar el modo en espera. Vuelva a pulsar para activar la radio. La radio volverá al modo en espera automáticamente si no se realiza ninguna operación en 15 minutos.

Ajuste del volumen

Gire el **control de volumen** para ajustar el volumen a un nivel cómodo. Escuchar la radio a altos volúmenes puede dañar la capacidad de audición. Evite escuchar a altos volúmenes durante periodos largos de tiempo.

Primer uso de la radio

La radio realizará una exploración automática de emisoras al encenderse por primera vez. Durante la exploración, la pantalla mostrará una barra de avance para indicar el progreso de la operación de exploración y la cantidad de emisoras encontradas hasta el momento. Cuando la exploración termine, la radio mostrará la primera emisora encontrada.

Función de repetición

Cuando la alarma suena en modo en espera, gire el **control de volumen** para activar la función de **REPETICIÓN**. La alarma volverá a sonar transcurridos 5 minutos.

Hora de apagado

Para establecer la hora de apagado, pulse repetidamente el botón **SLEEP** para seleccionar: desactivado, 15, 30, 45, 60, 90 minutos. La unidad entrará en el modo de apagado seleccionado tras el tiempo establecido.

Selección de modos

Con la radio encendida, pulse el botón **MODE** repetidamente para seleccionar el modo deseado: DAB/DAB+, FM o Bluetooth, AUX IN

Información de emisora

Pulse el botón **INFO/MENU** para consultar la información de la emisora.

Actualización automática de la hora

La hora se puede actualizar automáticamente si el sistema detecta la señal RDS. Si la señal RDS es débil o no puede detectarse, la hora no se actualizará automáticamente.

Ajustes del menú principal

Mantenga pulsado el botón **INFO/MENU** para acceder a la pantalla de configuración del menú principal. Busque y acceda a la pantalla <System> pulsando el botón **ENTER**. A continuación, utilice el botón <◀/▶> para desplazarse por las opciones del menú: <Time setup>, <Alarms>, <Sleep>, <Language>, <Prune>, <Station Order>, <Backlight>, <Factory reset>, <SW version>.

NOTA: Las funciones <Prune> y <Station Order> solo están disponibles en el modo DAB.

Seleccione una de las opciones y pulse el botón **ENTER** para acceder al menú.

Configuración de la hora

1. **Ajuste del reloj:** 00:00 (Horas:Minutos), use los botones <◀/▶> y **ENTER** para establecer la hora.
2. **Ajuste de la fecha:** 01-01-2018 (Día-Mes-Año), mismo proceso que para ajustar el **reloj**.
3. **Actualización automática:** <No update> o <From radio>, pulse el botón **ENTER** para confirmar.
4. **Establecimiento de los modos 12/24 horas:** seleccione su formato favorito.

Tras completar los pasos anteriores, la hora se ajusta manualmente.

Alarmas

Cuando aparezca <Alarms>.

1. Pulse el botón **ENTER** para acceder a la pantalla de ajuste de la alarma.
2. Seleccione <Alarm 1: off> o <Alarm 2: off> y pulse el botón **ENTER** para activar la alarma.
3. Con ayuda del botón ◀/▶ para seleccionar la **hora de la alarma**, pulse **ENTER** para confirmar.
4. Seleccione los **días de la alarma**: diariamente, una vez, días de la semana y fines de semana.
5. Establezca el **modo de la alarma**: DAB, FM o zumbador.
6. Establezca el **volumen de la alarma**: aparece una barra de desplazamiento que permite ajustar el volumen de la alarma. Pulse el botón ◀/▶ para aumentar o reducir el nivel de volumen y pulse el botón **ENTER** para confirmar.
7. Tras establecer todos los ajustes anteriores, acceda a la pantalla **Save** y pulse **ENTER** para guardar la alarma.
8. Para cancelar las alarmas, acceda a la pantalla de ajustes de alarma, pulse el botón **ENTER** para seleccionar **Off** y entre en la pantalla **Save** para escoger el ajuste para desactivar la alarma.

Apagado (establecer el tiempo de apagado): pulse brevemente el botón SLEEP

Entre en la pantalla de ajuste del tiempo de apagado para seleccionar el tiempo de apagado: **desactivado/15/30/45/60/90 minutos**.

Idioma (establecer el idioma del sistema).

Acceda a la pantalla de ajuste de idioma y utilice los botones ◀/▶ y **ENTER** para establecer el idioma del sistema.

Retroiluminación

Acceda a la pantalla de ajustes de retroiluminación y con ayuda del botón ◀/▶ seleccione el nivel de retroiluminación de la pantalla deseado: **3, 2, 1, desactivado**. A continuación, pulse el botón **ENTER** para confirmar la selección.

Restablecimiento de los valores de fábrica

Para establecer el radio en los ajustes de fábrica, acceda a la pantalla de restablecimiento de ajustes de fábrica, siga los consejos de <Factory reset?> y seleccione <YES>. La radio se restablecerá a los ajustes de fábrica.

NOTES: You also can press SCAN button to adjust the backlight level.

Versión de software

Permite consultar la versión de software del sistema.

Eliminación de emisoras (solo disponible en el modo DAB/DAB+)

Para eliminar emisoras enumeradas que no están disponibles.

Acceda a la pantalla Prune y utilice el botón ◀/▶ para seleccionar <Yes> o <No>. A continuación, pulse el botón **ENTER** para confirmar la selección. Las emisoras no disponibles se eliminarán si se selecciona <Yes>.

Orde de las emisoras (solo disponible en el modo DAB/DAB+)

Entre en la pantalla Station order y con ayuda del botón ◀/▶ seleccione una de las formas de ordenar las emisoras. A continuación, pulse el botón **ENTER** para confirmar.

Operaciones con DAB/DAB+

Tras activar la radio, pulse el botón **MODE** repetidamente para seleccionar y acceder al modo **DAB/DAB+**.

Exploración de emisoras

Cuando se activa el modo DAB/DAB+, la radio explora automáticamente las emisoras que encuentra en la zona.

Pulse el botón ◀/▶ para seleccionar las emisoras previas o siguientes. A continuación, pulse el botón **ENTER** para activar la reproducción de la emisora.

Ajuste de emisoras

Mantenga pulsado el botón **INFO/MENU**. Cuando aparezca <Station scan>, pulse el botón **ENTER** y utilice el botón ◀/▶ para desplazarse por las opciones de exploración: <Full scan>, <Manual tune>.

1. Seleccione <Full scan> y pulse el botón **ENTER** para habilitar la búsqueda completa.
2. Seleccione <Manual tune> y pulse el botón **ENTER**. Utilice el botón ◀/▶ para seleccionar una emisora entre **5A:174.928 MHz** y **13F:239.200 MHz**. A continuación, pulse el botón **ENTER** para activar la emisora seleccionada.

Almacenamiento de emisoras

Puede guardar hasta **10** de sus emisoras DAB favoritas, para acceder a ellas de forma rápida y sencilla.

1. Para guardar una emisora preestablecida, primero debe escucharla y
2. después pulsar el botón **PRESET**.
3. Utilice el botón ◀/▶ para seleccionar el número preestablecido deseado **1-10**.
4. Mantenga pulsado el botón **ENTER** para confirmar.

Recuperación de una emisora almacenada

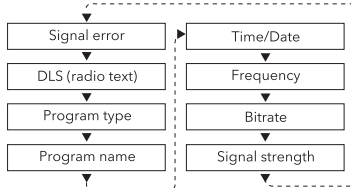
Una vez guardadas las emisoras como preestablecidas, puede recuperarlas con el botón **PRESET**.

Pulse el botón ◀/▶ para seleccionar las emisoras guardadas y, a continuación, el botón **ENTER** para confirmar.

Modo de pantalla

Cada vez que pulsa el botón **INFO/MENU**, la pantalla se desplaza a través de los siguientes modos:

La información se muestra en el segmento inferior de la pantalla LCD.



DLS (Segmento de etiqueta dinámica)

Muestra información de texto en desplazamiento suministrada por la emisora.

PTY (Tipo de programa)

Muestra el tipo y la descripción del programa proporcionados por la emisora DAB/DAB+.

Velocidad de bits

La velocidad de datos a la que se transmite la señal.

Frecuencia

Muestra el número de canal y la frecuencia de transmisión de la emisora.

Hora y fecha

Muestra la información de hora y fecha proporcionada por la emisora.

NOTAS: DAB, a diferencia de las radios normales, agrupa varias emisoras de radio y las transmite en una frecuencia.

Funcionamiento de la función FM

Seleccione el **modo FM** pulsando el botón **MODE**.

Selección de emisoras

Para buscar una emisora entre **87.5** y **108.00 MHz**.

1. Pulse el botón ◀ o ▶ para avanzar o retroceder en saltos de **0.05 MHz**.

- Mantenga pulsados el botón ◀▶ para saltar a la emisora previa o siguiente con la mejor señal. Una vez encontrada una emisora, la exploración se detendrá automáticamente. Si no se encuentra ninguna emisora, la exploración se interrumpirá cuando haya completado la frecuencia.

Sintonización de emisoras

- Mantenga pulsado el botón **SCAN** para explorar emisoras. Durante la exploración, la pantalla mostrará una barra de avance que indica el progreso de la operación de exploración y la cantidad de emisoras que se han encontrado hasta el momento. Cuando haya terminado, la radio reproducirá la primera emisora que encuentre.
- Presione prolongadamente el botón **INFO / MENU** para ingresar a la pantalla <Audio setting>, use el botón ◀▶ y presione el botón **ENTER** para elegir: <Forced mono> o <Stereo allowed>.

Almacenamiento de emisoras

Podrá guardar hasta diez emisoras favoritas, para acceder a ellas de forma rápida y sencilla.

- Para guardar una emisora preestablecida, primero debe escucharla y
- después pulsar el botón **PRESET**.
- Utilice el botón ◀▶ para seleccionar el número preestablecido deseado 1-10.
- Mantenga pulsado el botón **ENTER** para confirmar.

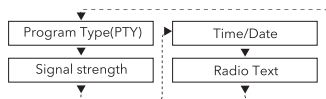
Recuperación de una emisora almacenada

Una vez guardadas las emisoras como preestablecidas, puede recuperarlas con el botón **PRESET**.

Pulse el botón ◀▶ para seleccionar las emisoras guardadas y, a continuación, el botón **ENTER** para confirmar.

Modo de pantalla

Pulse el botón **INFO/MENU** para desplazarse por la información de FM proporcionada por las emisoras:



Funciones Bluetooth

Pulse el botón **MODE** repetidamente para seleccionar y acceder al **modo Bluetooth**.

- Una vez en el modo Bluetooth, aparecerá el texto **Connecting**, que parpadeará mientras la unidad intenta conectarse con dispositivos previamente emparejados. Si no se encuentra ningún dispositivo, el texto **Connecting** seguirá parpadearando para indicar que la unidad está lista para emparejarse con un nuevo dispositivo.
- Active su dispositivo Bluetooth y busque un dispositivo con el nombre de **SHARP DR-S460** en la lista.
- Seleccione y habilite el emparejamiento del dispositivo **SHARP DR-S460**. Si se le solicita una contraseña, introduzca **0000**.
- Si el emparejamiento se completa correctamente, la unidad emitirá un sonido y el texto parpadearante **Connecting** cambiará a **Connected**.
- Si el dispositivo conectado se encuentra fuera de la zona de alcance, la radio intentará volver a conectarse durante dos minutos. Cuando el dispositivo esté de nuevo en el rango de alcance, la radio volverá a conectarse automáticamente.
- y podrá transmitir audio de manera inalámbrica desde el dispositivo Bluetooth.
- Para desconectar, pulse el botón **MODE** de la radio y seleccionar otro modo. O bien desactive la función Bluetooth del dispositivo.

NOTAS:

- El rango de funcionamiento de Bluetooth es de aproximadamente 7 metros. Los obstáculos entre los dispositivos pueden reducir el rango.
- Solo se puede emparejar un dispositivo Bluetooth a la vez.
- No todos los dispositivos Bluetooth son compatibles.

Resolución de problemas

Este producto no contiene ninguna pieza que pueda ser reparada por el usuario. En caso de avería, póngase en contacto con el fabricante o el servicio técnico autorizado. La exposición a ciertas partes internas del dispositivo puede poner en peligro su vida. La garantía del fabricante no cubre las averías resultantes de reparaciones llevadas a cabo por terceros.

Sin sonido

Causa

- El volumen no está activado.

Solución

- Ajuste el control de volumen principal.

Sonido estático.

Causa

- Recepción de la señal baja

Solución

- Ajuste la antena o mueva la unidad hacia una ubicación con señal más intensa.

El sonido se oye distorsionado.

Causa

- El volumen está demasiado alto.

Solución

- Reduzca el volumen.

No se encuentra la emisora deseada.

Causa

- Señal débil.

Solución

- Utilice la función de sintonización manual.

Sin funciones DAB

Causa

- No hay cobertura DAB en la zona.
- Mala recepción.

Solución

- Ajuste el brillo de la pantalla.

La pantalla se muestra en blanco.

Causa

- Esto puede ocurrir si la emisora cambia la etiqueta de un servicio o elimina una etiqueta al sintonizar.

Solución

- La radio intentará volver a sintonizar.
- Realice una exploración.

El dispositivo no se enciende.

Causa

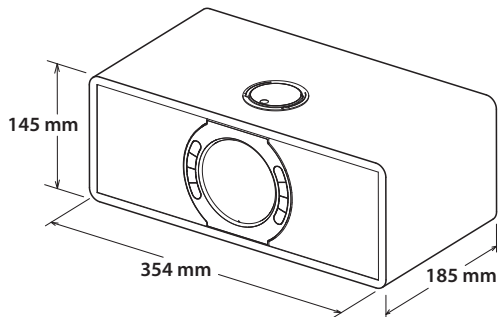
- El adaptador no está conectado a la toma de la pared.

Solución

- Asegúrese de que el enchufe esté conectado.

Especificación técnica

Modelo	DR-S460
Potencia de salida	2x7W (RMS)
Consumo de electricidad (máx.)	26W
Consumo de electricidad en modo en espera	<1W
Frecuencia FM	87.5-108MHz
Frecuencia DAB+	174.928-239.200MHz
Bluetooth	
Versión	V 4.2
Bandas de frecuencia	2402 MHz ~ 2480 MHz
Potencia máxima transmitida	4dBm
Adaptador de corriente	
Nombre del modelo:	FJ-SW1202000N
Entrada:	AC 100-240V ~ 50/60Hz, 0.6A Max
Salida:	DC 12V ≈ 2000mA
Fabricante:	SHENZHEN FU JIA APPLIANCE CO., LTD B1,Xujing chang Industrial Park, Haoye Road, Fuyong 518103 Shenzhen, China



KG 2,95kg

Importanti istruzioni di sicurezza

Vi preghiamo di leggere queste istruzioni di sicurezza e di rispettare le seguenti avvertenze prima di mettere in funzione l'apparecchio:



Il punto esclamativo in un triangolo equilatero serve ad avvertire la presenza di importanti istruzioni operative e di manutenzione nella documentazione che accompagna l'apparecchio.



Usare esclusivamente gli alimentatori elencati nel manuale utente



Questo simbolo significa che il prodotto deve essere smaltito in modo rispettoso dell'ambiente, non insieme ai rifiuti domestici.



Tensione AC



Tensione DC



Apparecchiatura di Classe II



Solo per uso interno



Classificazione di efficienza energetica livello VI



Polarità del connettore di corrente d.c.

Per evitare incendi, tenete sempre lontane dall'apparecchio candele e qualunque altro tipo di fiamma.



Avvertenza:

- Seguire sempre le precauzioni di sicurezza basilari quando si utilizza questo apparecchio, specialmente in presenza di bambini.
- I bambini dovrebbero essere supervisionati per assicurarsi che non giochino con l'apparecchio.
- Non danneggiare il cavo di alimentazione, né riporvi sopra oggetti pesanti, tirarlo o piegarlo. Inoltre, non utilizzare prolunghe. Danni al cavo di alimentazione potrebbero causare incendi o shock elettrici
- Non danneggiare il cavo di alimentazione, né riporvi sopra oggetti pesanti, tirarlo o piegarlo. Inoltre, non utilizzare prolunghe. Danni al cavo di alimentazione potrebbero causare incendi o shock elettrici.
- Se il cavo di alimentazione è danneggiato, deve essere sostituito dal produttore, da un agente di servizio o da persone altrettanto qualificate, in modo da evitare pericoli.
- Assicurarsi che l'unità sia connessa a una presa di corrente CA 110-240V 50/60Hz. Usare un voltaggio superiore può provocare un malfunzionamento dell'unità e persino la formazione di fiamme.
- Se la spina di alimentazione non entra nello zoccolo, non forzarla.
- Spegnerne completamente l'unità prima di disconnetterla dall'alimentazione.
- Non disconnettere o connettere il cavo di alimentazione con le mani bagnate. Può provocare uno shock elettrico.
- Se l'unità non verrà usata per un periodo di tempo prolungato, disconnettere l'alimentazione di corrente.
- Scollegare il cavo di alimentazione se non viene usato per molto tempo.
- Assicurarsi che la presa di corrente sia sempre facilmente accessibile.
- Questo prodotto non ha componenti che possano essere riparate dall'utente. In caso di guasto, contattate il produttore o l'agente di servizio autorizzato. Esporre le parti interne al dispositivo può comportare

un pericolo di vita. La garanzia non copre danni causati da riparazioni effettuate da terze parti non autorizzate.

- Non utilizzare questo prodotto immediatamente dopo averlo rimosso dall'imballaggio. Attendere che si riscaldi fino a temperatura ambiente prima di usarlo.
- Assicurarsi di usare questo prodotto soltanto in un clima temperato (non in ambienti tropicali o subtropicali).
- Collocare il prodotto su una superficie piana e stabile in modo che non sia sottoposto a vibrazioni.
- Assicurarsi che il prodotto e le sue parti non pendino dal bordo del mobilio di supporto.
- Per ridurre il rischio di incendi, shock elettrici o danni al prodotto, non esporlo direttamente a luce del sole, polvere, pioggia o umidità. Non esporlo mai a gocciolamenti e schizzi d'acqua e non collocare oggetti contenenti liquidi sopra o vicino a esso.
- Non collocare oggetti pieni di liquidi, come vasi, sull'apparecchio.
- Non installarlo vicino a fonti di calore come termosifoni, griglie di ventilazione, stufe o altri apparecchi (inclusi amplificatori) che generano calore.
- Non collocare il prodotto in punti con elevata umidità e scarsa ventilazione.
- Assicurare una distanza minima di 5 cm attorno all'apparecchio per una ventilazione sufficiente. Non ostruire le aperture per la ventilazione del prodotto. Assicurarsi che le aperture per la ventilazione siano sgombrere da oggetti come giornali, tovaglie, tendaggi ecc.
- MAI lasciare che qualcuno, specialmente un bambino, inserisca qualcosa nei fori e nelle aperture dell'involucro dell'unità, in quanto ciò potrebbe risultare in uno shock elettrico fatale.
- I temporali sono pericolosi per gli apparecchi elettronici. Se i cavi della rete elettrica o l'antenna vengono colpiti da un fulmine, l'apparecchio potrebbe risultarne danneggiato, anche se spento. E' opportuno scollegare tutti i cavi e i connettori dell'apparecchio prima di un temporale.
- Un'eccessiva pressione sonora da cuffie o auricolari può causare danni all'udito.

Manutenzione

- Disconnetti il cavo di alimentazione dalla presa elettrica prima di pulire l'apparecchio.
- Usare un panno morbido e pulito per pulire l'esterno dell'unità. Non pulire con agenti chimici e detersivi.

Adattatore di corrente

- Per disconnettere l'unità dall'alimentatore, disconnettere il cavo dalla presa di corrente.
- Usare solo l'adattatore fornitore perché non fare ciò potrebbe mettere a rischio la sicurezza e/o danneggiare l'unità.

Smaltimento di questa apparecchiatura

- Non smaltire questo televisore insieme ai rifiuti comunali non differenziati. Riconsegnarlo in un punto di raccolta apposito per il RAEE (Riciclaggio di Apparecchiature Elettriche ed Elettroniche). Così facendo, contribuirete alla conservazione delle risorse e alla protezione dell'ambiente.



- I simboli mostrati in alto appaiono su apparecchi elettrici ed elettronici e batterie (o sulla relativa confezione) come promemoria per gli utenti.
- Gli utenti sono tenuti a utilizzare le strutture adeguate per lo smaltimento di apparecchi e batterie.

Dichiarazione CE:

- Con la presente, UMC Poland sp. z o.o. dichiara che questo dispositivo audio soddisfa i requisiti essenziali e le altre disposizioni rilevanti della direttiva RED 2014/53/UE. Il testo completo della Dichiarazione di conformità UE è disponibile al link seguente <http://www.sharpconsumer.eu/documents-of-confirmity>

I marchi:



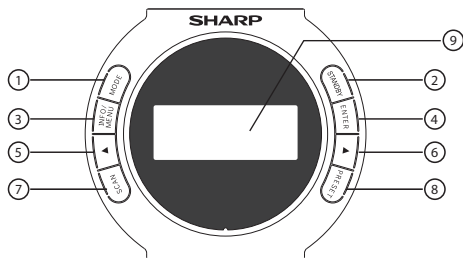
La parola e i loghi *Bluetooth*® simbolo sono marchi registrati di proprietà di Bluetooth SIG, Inc.

Cosa è compreso nella confezione

- 1 unità principale
- 1 Manuale utente
- 1 Guida di avvio rapido
- 1 alimentatore
- 1x spina CA britannica per l'adattatore di corrente.
- 1x spina CA europea per l'adattatore di corrente.

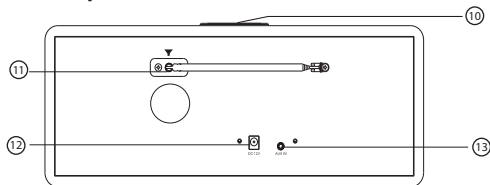
Pannelli e controlli

Pannello anteriore



1. **MODE** – Premere per cambiare le modalità: DAB / DAB +, FM, Bluetooth, AUX IN.
2. **STANDBY** – Premere questo pulsante per accendere l'unità o accedere alla modalità standby.
3. **INFO/MENU** – Premere per visualizzare le informazioni sulla stazione, o accedere alla schermata delle impostazioni del menu principale.
4. **ENTER** – Premere per confermare le selezioni.
5. **PREVIOUS** ◀ – Premere per tornare alle selezioni precedenti o per diminuire la frequenza o cercare la stazione più forte precedente.
6. **NEXT** ▶ – Premere per andare avanti alla selezione successiva, o per aumentare la frequenza, o cercare la successiva stazione più forte.
7. **SCAN** – Utilizzare per scansionare le stazioni radio o per regolare il livello di retroilluminazione.
8. **PRESET** – Premere per richiamare le stazioni preselezionate.
9. **DISPLAY SCREEN** – Per mostrare le informazioni.

Pannello posteriore



10. **Volume** – Ruotare la manopola del volume per regolare il livello del volume.
11. **FM Antenna** – Per ricevere il segnale FM.
12. **DC Power input** – DC 12V
13. **AUX IN jack** – Collegare il cavo audio da 3,5 mm a questo jack per ascoltare la musica audio esterna.

Istruzioni operative generali

Adattatore di presa di corrente (fornito con la confezione)

Connettere l'adattatore della presa di corrente all'alimentatore DC sul pannello posteriore della radio.

Otteni la migliore ricezione

Estendere l'antenna telescopica fino a dove arriva.

Accendi la radio

Premere il tasto **STANDBY** per accendere la radio.

Passa alla modalità Standby

Quando è in uso, premi per qualche istante il tasto **STANDBY** per passare alla modalità Standby. Premere nuovamente per accendere la radio. La radio passa alla modalità standby automaticamente se non ci sono attività dopo 15 minuti.

Regolare il volume

Ruotare la **manopola del volume** per regolare il volume a un livello confortevole. Ascoltare la radio ad alto volume può danneggiare l'udito. Evitare di ascoltare ad alto volume per lunghi periodi di tempo.

La prima volta che la radio è usata

La prima volta che la radio viene accesa, scansionerà automaticamente cercando le stazioni. Durante la scansione, lo schermo mostra una barra di scorrimento che indica l'avanzamento della scansione e il numero di stazioni trovate sino a ora. Una volta che la scansione è terminata, la radio riproduce la prima stazione che trova.

Funzione snooze

Quando l'allarme suona in modalità Standby, ruotare la **manopola del volume** per attivare la funzione **SNOOZE**. L'allarme suonerà ancora dopo 5 minuti.

Ora di sonno

Per impostare l'ora di sonno, premere ripetutamente il pulsante **SLEEP** per selezionare: spento, 15, 30, 45, 60, 90 minuti. Quando l'ora impostata è trascorsa, l'unità passa alla modalità sleep.

Selezionare le modalità

Quando è in uso, premi ripetutamente il tasto **MODE** per passare alla modalità desiderata: DAB/DAB+, FM, Bluetooth, AUX IN.

Informazioni sulla stazione

Premere il tasto **INFO/MENU** per controllare le informazioni della stazione.

Aggiornamento automatico dell'ora

L'ora e la data possono essere aggiornate automaticamente se il sistema rileva il segnale RDS. Se il segnale RDS è debole o non può essere rilevato, l'ora non si aggiorna automaticamente.

Configurazione menu principale

Premere per qualche istante il tasto **INFO/MENU** per passare alla schermata di configurazione del menu principale. Trovare ed entrare nella schermata **<Sistema>** premendo il pulsante **ENTER**. Quindi usare il pulsante ◀/▶ per scorrere nelle opzioni del menu: **<Time setup>**, **<Alarms>**, **<Sleep>**, **<Language>**, **<Prune>**, **<Station Order>**, **<Backlight>**, **<Factory reset>**, **<SW version>**.

NOTA: **<Prune>** e **<Station Order>** sono disponibili solo in modalità DAB

Selezionare una delle opzioni quindi premere il pulsante **ENTER** per accedere a quel menu.

Impostazione dell'ora

1. **Impostare orologio:** 00:00 (Ora:Minuti), usare i pulsanti ◀/▶ ed **ENTER** per impostare.
2. **Impostare data:** 01-01-2018 (Giorno-Mese-Anno), uguale alla configurazione di "set clock".

3. Aggiornamento automatico: <No update> o <From radio>, premere il pulsante **ENTER** per confermare.

4. Impostare ora 12/24: scegli il tuo formato preferito.

Dopo aver terminato i passaggi indicati, l'ora sarà impostata automaticamente.

Allarmi

Quando appare <Alarms>.

1. Premere il pulsante **ENTER** per passare alla schermata di configurazione dell'allarme.
2. Selezionare <Alarm 1: off> o <Alarm 2: off>, premere il pulsante **ENTER** per impostare l'allarme su **On**.
3. Utilizzando il pulsante ◀/▶ per selezionare **alarm time**, premere **ENTER** per confermare.
4. Selezionare **alarm days**: giornaliero, una volta, giorni della settimana, fine settimana.
5. Impostare **alarm mode**: DAB, FM, Buzzer.
6. Impostare **alarm volume**: è presente una barra scorrevole per regolare il volume dell'allarme, premere il pulsante ◀/▶ per aumentare o ridurre il livello del volume, premere il pulsante **ENTER** per confermare.
7. Dopo tutte le impostazioni precedenti, passare alla schermata **Save**, premere il pulsante **ENTER** per salvare l'allarme.
8. Per annullare gli allarmi, passare alla schermata delle impostazioni, premere il pulsante **ENTER** per selezionare **Off** quindi passare alla schermata di salvataggio per salvare le impostazioni di spegnimento dell'allarme.

Sleep (imposta ora di sleep) - premere brevemente il pulsante SLEEP

Passare alla schermata di impostazione dell'ora di Sleep per selezionare l'ora di sleep: **spento/15/30/45/60/90 minuti**.

Lingua (configurare la lingua del sistema)

Passare alla schermata delle impostazioni della lingua, usare i pulsanti ◀/▶ e **ENTER** per impostare la lingua del sistema.

Retroilluminazione

Passare alla schermata delle impostazioni della retroilluminazione, usando il pulsante ◀/▶ per selezionare il livello desiderato di retroilluminazione dello schermo: **3, 2, 1, spento**. Quindi premere il pulsante **ENTER** per confermare la selezione.

Ripristino di fabbrica

Per impostare la radio alle impostazioni originali, passare alla schermata di ripristino di fabbrica, seguire le indicazioni <Factory reset?>, scegliere <YES> per ripristinare, e la radio sarà riavviata.

NOTE: è anche possibile premere il tasto **SCAN** per regolare il livello di retroilluminazione.

Versione SW

Per controllare la versione software del sistema.

Sfrondare le stazioni (disponibile solo in modalità DAB/DAB+)

Per rimuovere le stazioni elencate ma non disponibili.

Passare alla schermata Prune, usare il pulsante ◀/▶ per selezionare <Yes> o <No>, quindi premere il pulsante **ENTER** per confermare la tua selezione. Le stazioni non disponibili ora saranno cancellate se scegli <Yes>.

Ordine stazione (disponibile solo in modalità DAB/DAB+)

Passare alla schermata di ordine della stazione, usare il pulsante ◀/▶ per selezionare uno degli ordini della stazione, quindi premere per confermare **ENTER**.

Operazioni DAB/DAB+

Dopo avere acceso la radio, premere ripetutamente il pulsante **MODE** per selezionare e passare alla modalità **DAB/DAB+**.

Scansionare le stazioni

Quando si accende la modalità DAB/DAB+, la radio scansiona automaticamente le stazioni trovare in questa area.

Premere il pulsante ◀/▶ per selezionare le stazioni precedenti o successiva, quindi premere il pulsante **ENTER** per attivare la riproduzione della stazione.

Sintonizzazione stazione

Premere per qualche istante il pulsante **INFO/MENU**, quando <Station scan> appare, premere il pulsante **ENTER**, quindi usare il pulsante ◀/▶ per scorrere lungo le opzioni di scansionamento: <Full scan>, <Manual tune>.

1. Selezionare <Scansione completa> quindi premere il pulsante **ENTER** per consentire una scansione completa.
2. Selezionare <Manual tune> e premere il pulsante **ENTER**, usare il pulsante ◀/▶ per selezionare stazioni da **5A:174.928 MHz** a **13F:239.200 MHz**. Quindi premere il pulsante **ENTER** per attivare la stazione selezionata.

Memorizzare le stazioni

È possibile memorizzare fino a **10** delle proprie stazioni DAB preferite. Ciò consente di accedere alle proprie stazioni preferite con rapidità e facilità.

1. Per memorizzare una preimpostazione, prima è necessario ascoltare la stazione che si vuole salvare.
2. Premere il pulsante **PRESET**.
3. Usare il pulsante ◀/▶ per selezionare il numero preimpostato desiderato **1-10**.
4. Tenere premuto il pulsante **ENTER** per confermare.

Richiamare una stazione memorizzata

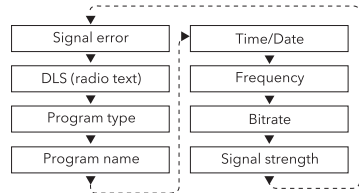
Una volta salvate le stazioni sulle stazioni preimpostate. Puoi richiamarla premendo il pulsante **PRESET**.

Premere il pulsante ◀/▶ per selezionare le stazioni memorizzate, e premere il pulsante **ENTER** per confermare.

Modalità display

Ogni volta che si preme il pulsante **INFO/MENU**, il display scorre tra le seguenti modalità di visualizzazione.

Le informazioni sono visualizzate nel segmento inferiore del display LCD.



Dynamic Label Segment (DLS)

Mostra informazioni testuali a scorrimento fornite dall'emittente.

PTY (tipo programma)

Mostra il tipo e la descrizione del programma fornito dalla stazione DAB/DAB+.

Bit Rate

Il tasso dei dati al quale il segnale viene trasmesso.

Frequenza

Mostra il numero e la frequenza del canale della trasmissione della stazione.

Ora e data

Mostra informazioni su ora e data fornite dall'emittente.

NOTE: DAB – a differenza delle normali radio, raggruppa assieme molte stazioni radio e le trasmette su una frequenza.

Funzionamento FM

Passare alla modalità **FM** premendo il pulsante **MODE**.

Selezionare le stazioni

Per cercare una stazione FM da **87.5 a 108.00 MHz**.

1. Premere il pulsante ◀ ◯ ▶ per scorrere avanti o indietro nella frequenza per passaggi di **0.05 MHz**.
2. Premere per qualche istante il pulsante ◀ ◯ ▶ per passare alla stazione precedente o successiva con la ricezione migliore. Una volta trovata una stazione, la scansione automatica si arresta. Se non vengono trovate stazioni, si arresta dopo essere passato lungo l'intera frequenza.

Sintonizzare le stazioni

1. Premere per qualche istante il pulsante **SCAN** per scansione le stazioni. Durante la scansione, lo schermo mostra una barra di scorrimento che indica l'avanzamento della scansione e il numero di stazioni trovate sino a ora. Una volta che la scansione è terminata, la radio riproduce la prima stazione che trova.
2. Premere a lungo il pulsante **INFO / MENU** per accedere alla schermata <Impostazioni audio>, utilizzare il pulsante ◀/▶ e premere il pulsante **ENTER** per scegliere: <Forced mono> o <Stereo allowed>.

Memorizzare le stazioni

È possibile memorizzare fino a **10** delle proprie stazioni FM preferite. Ciò consente di accedere alle proprie stazioni FM preferite con rapidità e facilità.

1. Per memorizzare una preimpostazione, prima è necessario ascoltare la stazione che si vuole salvare.
2. Premere il pulsante **PRESET**.
3. Usare il pulsante ◀/▶ per selezionare il numero preimpostato desiderato **1-10**.
4. Tenere premuto il pulsante **ENTER** per confermare.

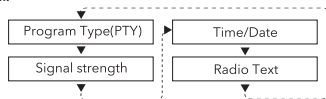
Richiamare una stazione memorizzata

Una volta salvate le stazioni sulle stazioni preimpostate. Puoi richiamarla premendo il pulsante **PRESET**.

Premere il pulsante ◀/▶ per selezionare le stazioni memorizzate, e premere il pulsante **ENTER** per confermare.

Modalità display

Premere il pulsante **INFO/MENU** per scorrere tra le informazioni FM fornite dalle stazioni:



Funzionamento Bluetooth

Premere ripetutamente il pulsante **MODE** per selezionare e passare alla modalità **Bluetooth**.

1. Una volta in modalità Bluetooth, **"Connecting"** appare e lampeggia fino a che l'unità cerca di connettersi ai dispositivi accoppiati in precedenza. Se non vengono trovati dispositivi, **"Connecting"** continua a lampeggiare per indicare che è pronto per accoppiarsi a un nuovo dispositivo.
2. Attivare il proprio dispositivo Bluetooth e cercare un dispositivo etichettato **"SHARP DR-S460"** nella lista.
3. Selezionare e attivare l'accoppiamento per il dispositivo **"SHARP DR-S460"**. Se viene chiesta una password, inserire **"0000"**.
4. Se l'accoppiamento ha successo, l'unità emette un suono e **"Connecting"** lampeggiante passa a **"Connected"**.
5. Se il dispositivo connesso è fuori portata, la radio cercherà di riconnettersi per due minuti. Quando il dispositivo è nella portata, la radio cercherà di riconnettersi automaticamente.

6. Dovresti ora essere in grado di riprodurre audio in streaming senza cavo dal tuo dispositivo Bluetooth.
7. Per disconnettersi, premi il tasto **MODE** per passare a un'altra modalità. Oppure spegni la funzione bluetooth del tuo dispositivo.

NOTE:

- La distanza di funzionamento del Bluetooth è di circa 7 metri. Gli ostacoli tra i dispositivi possono ridurre questa distanza.
- È possibile accoppiare un solo dispositivo Bluetooth per volta.
- Non tutti i dispositivi Bluetooth sono compatibili.

Risoluzione dei problemi

Questo prodotto non ha componenti che possano essere riparate dall'utente. In caso di guasto, contattate il produttore o l'agente di servizio autorizzato. Esporre le parti interne al dispositivo può comportare un pericolo di vita. La garanzia non copre danni causati da riparazioni effettuate da terze parti non autorizzate.

Audio assente

Causa

- Volume non acceso.

Soluzione

- Regolare la manopola del volume principale.

Suono statico

Causa

- Ricezione del segnale troppo bassa.

Soluzione

- Regolare l'antenna o spostare l'unità in un punto dove il segnale è più forte.

Il suono è distorto

Causa

- Il volume è troppo alto

Soluzione

- Abbassare il volume

Stazione desiderata non trovata

Causa

- Segnale debole

Soluzione

- Usare la funzione di sintonizzazione manuale

Funzioni DAB assenti

Causa

- DAB non coperto nella tua area.
- Scarsa ricezione

Soluzione

- Regola la posizione dell'antenna.

Il display è vuoto.

Causa

- Ciò può verificarsi se l'emittente modifica l'etichetta di un servizio o rimuove un'etichetta mentre è sintonizzata.

Soluzione

- La radio cercherà di risintonizzarsi.
- Eseguire una scansione.

Alimentazione assente

Causa

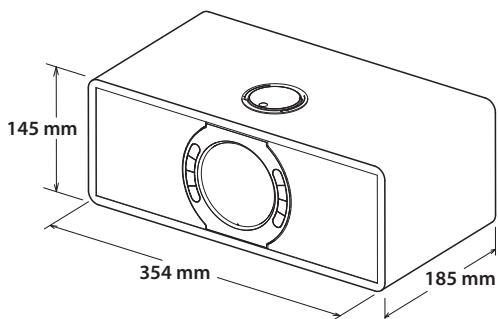
- L'adattatore non è connesso alla presa su parete.

Soluzione

- Accertarsi che l'adattatore sia connesso.

Specifiche tecniche

Modello	DR-S460
Corrente in uscita	2x7W (RMS)
Consumo energetico (max.)	26W
Standby Consumo energetico	<1W
Frequenza FM	87.5-108MHz
Frequenza DAB+	174.928-239.200MHz
Bluetooth	
Versione	V 4.2
Bande di frequenza	2402 MHz ~ 2480 MHz
Potenza massima trasmessa	4dBm
Adattatore di corrente	
Nome modello:	FJ-SW1202000N
Input:	AC 100-240V ~ 50/60Hz, 0.6A Max
Output:	DC 12V ≈ 2000mA
Produttore:	SHENZHEN FU JIA APPLIANCE CO., LTD B1,Xujing chang Industrial Park, Haoye Road, Fuyong 518103 Shenzhen, China



KG 2,95kg

Importantes consignes de sécurité

Svp, lire ces consignes de sécurité et respecter les avertissements suivants avant que l'appareil ne soit actionné :



Le point d'exclamation contenu dans un triangle équilatéral a pour objet d'appeler l'attention de l'utilisateur sur la présence dans la documentation accompagnant le produit d'instructions importantes d'utilisation et d'entretien (de réparation).



Utilisez uniquement l'alimentation électrique indiquée dans le mode d'emploi.



Ce symbole signifie que le produit doit être éliminé de manière écologique et non avec les ordures ménagères.



Tension alternative



Tension continue



Équipement de classe II



Pour une utilisation en intérieur uniquement



Notation d'efficacité énergétique de niveau VI



Polarité de câble d'alimentation de C.C.

Afin d'éviter un incendie, maintenir toujours les bougies et autres flammes nues éloignées de ce produit.



pas les défauts provoqués par des réparations effectuées par des tiers non autorisés.

- N'utilisez pas ce produit directement après déballage. Attendez qu'il se réchauffe à la température ambiante avant de l'utiliser.
- Assurez-vous que ce produit est utilisé dans des climats modérés uniquement (et non tropicaux ou sous-tropicaux).
- Placez le produit sur une surface plane et stable sans vibrations.
- Assurez-vous que le produit ou ses pièces ne dépassent pas du bord du meuble le supportant.
- Pour réduire les risques d'incendie, d'électrocution ou de dommages à ce produit, veuillez ne pas l'exposer à la lumière directe du soleil, à la poussière, à la pluie et à l'humidité. Ne l'exposez jamais aux éclaboussures ou égouttements et ne placez pas d'objets remplis d'eau sur ou près du produit.
- Ne placez pas d'objets remplis de liquide, comme des vases sur l'appareil.
- N'installez pas l'appareil à proximité de sources de chaleurs telles que des radiateurs, des chauffages, des cuisinières ou d'autres appareils (y compris des amplificateurs) produisant de la chaleur.
- Ne placez pas de produit dans un emplacement à l'humidité élevée et présentant une mauvaise ventilation.
- Assurez une distance minimum de 5 cm autour de l'appareil afin d'assurer une ventilation suffisante. Ne bloquez pas les entrées de ventilation de ce produit. Assurez-vous toujours que les ouvertures de ventilation ne sont pas recouvertes d'articles tels que journaux, nappes de table, rideaux, etc.
- Ne laissez JAMAIS une personne, et particulièrement un enfant, faire rentrer un objet dans les trous, fentes ou toute autre ouverture du boîtier de l'appareil, ceci pouvant causer une électrocution fatale.
- Les orages sont dangereux pour tous les appareils électriques. Si le secteur ou le câblage aérien est frappé par la foudre, l'appareil peut être endommagé, même s'il était éteint. Vous devez débrancher tous les câbles et connecteurs de l'appareil avant un orage.
- Un niveau de pression acoustique excessif du casques ou des écouteurs peut causer une perte auditive.

Avertissement :

- Suivez toujours les précautions basiques de sécurité durant l'utilisation de cet appareil, particulièrement lorsque des enfants sont présents.
- Les enfants doivent être supervisés afin de s'assurer qu'ils ne jouent pas avec l'appareil.
- N'endommagez pas le cordon d'alimentation, n'y placez pas d'objets lourds, ne l'étirez pas et ne le pliez pas. N'utilisez pas de rallonge électrique. Tout dommage au cordon d'alimentation peut provoquer un incendie ou un choc électrique.
- Si le cordon d'alimentation est endommagé, il doit être remplacé par le fabricant, un agent du service après-vente ou des personnes similairement qualifiées afin d'éviter tout risque.
- Assurez-vous que l'appareil est bien branché dans une prise électrique CA 110-240V 50/60Hz. L'utilisation d'une tension plus élevée peut entraîner un dysfonctionnement de l'appareil ou un incendie.
- Si la fiche d'alimentation ne rentre pas dans la prise, ne la forcez pas.
- Si votre fiche électrique ne rentre pas dans votre prise murale, ne forcez pas pour la faire rentrer.
- Éteignez l'appareil avant de le débrancher de sa source électrique afin de complètement le désactiver.
- Ne connectez ou ne déconnectez pas le cordon d'alimentation avec des mains mouillées. Ceci peut causer une électrocution.
- Si l'appareil ne doit pas être utilisé pendant une longue période, débranchez l'alimentation.
- Déconnectez le cordon d'alimentation si l'appareil n'est pas utilisé pendant une période prolongée.
- Assurez-vous que la prise principale est toujours facilement accessible.
- Ce produit ne contient aucune pièce réparable par l'utilisateur. En cas de défaut, contactez le fabricant ou le département de service après-vente autorisé. L'exposition aux pièces internes situées à l'intérieur de l'appareil peuvent mettre votre vie en danger. La garantie du fabricant ne couvre

Entretien

- Débranchez le câble d'alimentation de la source de courant avant de nettoyer l'appareil.
- Utilisez un chiffon doux et propre pour nettoyer l'extérieur de l'appareil. Ne nettoyez jamais l'appareil avec des produits chimiques ou détergent.

Adaptateur électrique

- Pour déconnecter l'appareil du réseau d'alimentation, débrancher le fil de la prise de courant.
- N'utilisez que l'adaptateur secteur fourni, faute de quoi cela pourrait entraîner un risque pour la sécurité et / ou endommager l'appareil.

Mise au rebut de ce matériel

- Ne jetez pas ce produit avec les déchets municipaux non triés. Renvoyez-la à un point de ramassage et de recyclage WEEE (déchets d'équipements électriques et électroniques) selon la législation en vigueur. Agir ainsi, aide à conserver les ressources et à protéger l'environnement.



- La figure ci-dessus apparaît sur les équipements électriques et électroniques (ou sur l'emballage) pour rappeler ce fait aux utilisateurs.
- Les utilisateurs doivent utiliser les centres de ramassage d'équipements et de piles existants.

Déclaration CE :

- Par la présente, Universal Media Corporation déclare que cet appareil audio est conforme aux principales exigences et autres clauses pertinentes de la Directive RED 2014/53/EU. Le texte intégral de la déclaration de conformité de l'UE est disponible en cliquant sur le lien suivant : <http://www.sharpconsumer.eu/documents-of-confirmity>

Marques déposées :



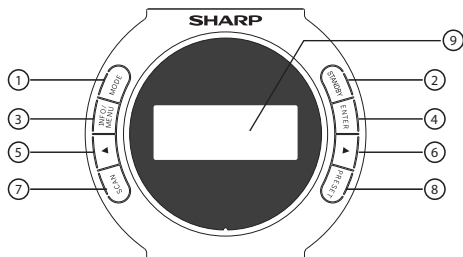
La marque et les logos *Bluetooth*® sont des marques déposées de Bluetooth SIG., Inc.

Ce qui est inclus dans la boîte :

- 1 x 1 unité principale
- 1 x Manuel d'utilisation
- 1 x Guide de démarrage rapide
- 1 x Adaptateur secteur
- 1 x Fiche AC (Royaume-Uni) pour adaptateur d'alimentation
- 1 x Fiche AC (Union européenne) pour adaptateur d'alimentation

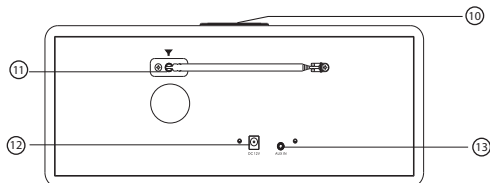
Panels & Controls

Partie avant



- 1. MODE** – Appuyez sur pour changer les modes: DAB / DAB +, FM, Bluetooth, AUX IN.
- 2. STANDBY** – Appuyez sur cette touche pour allumer l'appareil ou passer en mode veille.
- 3. INFO/MENU** – Appuyez sur pour afficher les informations sur la station ou pour accéder à l'écran de réglage du menu principal.
- 4. ENTER** – Appuyez sur pour confirmer vos sélections.
- 5. PREVIOUS ◀** – Appuyez sur pour revenir aux sélections précédentes, ou pour diminuer la fréquence, ou recherchez la station la plus forte précédente.
- 6. NEXT ▶** – Appuyez sur pour avancer à la sélection suivante, ou pour augmenter la fréquence, ou recherchez la station la plus forte suivante.
- 7. SCAN** – Utilisez pour scanner les stations de radio ou pour ajuster le niveau de rétroéclairage.
- 8. PRESET** – Appuyez sur pour rappeler les stations pré-réglées.
- 9. DISPLAY SCREEN** – Pour afficher les informations.

Panneau arrière



- 10. Volume** – Tournez le bouton de volume pour régler le volume.
- 11. FM Antenna** – Pour recevoir le signal FM.
- 12. DC Power input** – DC 12V
- 13. AUX IN jack** – Connectez le câble audio 3,5 mm à cette prise pour profiter de la musique audio externe.

Instructions générales d'utilisation

Adaptateur secteur (fourni avec le package)

Branchez l'adaptateur secteur sur la **prise d'alimentation CC** située sur le panneau arrière de la radio.

Obtenez la meilleure réception

Déployez l'antenne télescopique aussi loin que possible.

Allumez la radio

Appuyez sur le bouton **STANDBY** pour allumer la radio.

Passer en mode veille

Pendant l'utilisation, appuyez longuement sur le bouton **STANDBY** pour entrer en mode veille. Appuyez à nouveau pour réveiller la radio. La radio se met automatiquement en mode veille si aucune opération n'est effectuée après 15 minutes.

Réglage du volume

Tournez le **bouton Volume** pour régler le volume à un niveau confortable. Écouter la radio à un volume élevé peut endommager votre audition. Évitez de l'écouter à haut volume pendant de longues périodes.

La première utilisation de la radio

La première fois que vous allumerez la radio, celle-ci recherchera automatiquement les stations. Durant le balayage, l'écran affichera une barre de défilement indiquant la progression du balayage et le nombre de stations de radio trouvées jusque là. Une fois le balayage terminé, la radio émettra la première station trouvée.

Fonction répétition

Lorsque l'alarme sonne en mode veille, tournez le **bouton Volume** pour activer la fonction **RÉPÉTITION**.

L'alarme se fera entendre à nouveau après 5 minutes.

Temps de veille

Pour régler la durée de veille, appuyez plusieurs fois sur le bouton **SLEEP** pour sélectionner: off, 15, 30, 45, 60, 90 minutes.

Lorsque le temps imparti est écoulé, l'appareil passe en mode veille.

Sélection de modes

En cours d'utilisation, appuyez plusieurs fois sur le bouton **MODE** pour passer au mode souhaité : DAB/DAB+, FM, Bluetooth, AUX IN.

Informations sur la station

Appuyez sur le bouton **INFO/MENU** pour vérifier les informations de la station.

Mise à jour automatique de l'heure

L'heure et la date peuvent être mises à jour automatiquement si le système détecte le signal RDS. Si le signal RDS est faible ou ne peut pas être détecté, l'heure ne sera pas automatiquement mise à jour.

Réglage du menu principal

Appuyez longuement sur le bouton **INFO/MENU** pour accéder à l'écran de configuration du menu principal. Cherchez et entrez dans l'écran **<Système>** en appuyant sur le bouton **ENTER**. Utilisez le bouton **◀/▶** pour faire défiler les options de menu : **<Time setup>**, **<Alarms>**, **<Sleep>**, **<Language>**, **<Prune>**, **<Station Order>**, **<Backlight>**, **<Factory reset>**, **<SW version>**.

REMARQUE : **<Prune>** et **<Station Order>** ne sont disponibles qu'en mode DAB.

Sélectionnez l'une des options, puis appuyez sur le bouton **ENTER** pour accéder à ce menu.

Réglage de l'heure

- Régler l'horloge** : 00:00 (Heure:Minutes), utilisez les boutons **◀/▶** et **ENTER** pour le réglage.
- Régler la date** : 01-01-2018 (Jour-Mois-Année), semblable au paramétrage **« Régler l'horloge »**.
- Mise à jour automatique** : **<No update>** ou **<From radio>**, appuyez sur le bouton **ENTER** pour confirmer.
- Régler 12/24 heure** : choisissez votre format préféré.

Une fois que vous avez terminé les étapes ci-dessus, l'heure est configurée manuellement.

Sonneries

Lorsque <Alarm> apparaît,

- Appuyez sur le bouton **ENTER** pour accéder à l'écran de réglage de la sonnerie.
- Choisissez <Alarm 1: off> ou <Alarm 2: off>, Appuyez sur le bouton **ENTER** pour régler la sonnerie sur **On**.
- Utiliser le bouton ◀/▶ pour sélectionner l'heure de la sonnerie, appuyez sur **ENTER** pour confirmer.
- Sélectionner les **jours de la sonnerie**: Tous les jours, Une fois, Les jours de la semaine, Les week-ends.
- Régler le **mode sonnerie**: DAB, FM, Buzzer.
- Régler le **volume de la sonnerie** : il y a une barre de réglage du volume de sonnerie, appuyez sur le bouton ◀/▶ pour augmenter ou diminuer le volume, appuyez sur le bouton **ENTER** pour confirmer.
- Après tous les réglages ci-dessus, accédez à l'écran **Enregistrer**, appuyez sur le bouton **ENTER** pour enregistrer la sonnerie.
- Pour annuler les sonneries, accédez à l'écran de réglage de la sonnerie, appuyez sur le bouton **ENTER** pour sélectionner **Off** puis accédez à l'écran de sauvegarde pour enregistrer le paramètre de la sonnerie.

Veille (Régler l'heure de mise en veille) - appuyez brièvement sur le bouton SLEEP

Accédez à l'écran de réglage de l'heure de veille pour sélectionner l'heure de veille : **off/15/30/45/60/90 minutes**.

Langue (Définir la langue du système)

Accédez à l'écran de réglage de la langue, utilisez les boutons ◀/▶ et **ENTER** pour définir la langue du système.

Rétro-éclairage

Accédez à l'écran de réglage du rétro-éclairage, utilisez les boutons ◀/▶ pour sélectionner le niveau de rétro-éclairage souhaité : **3, 2, 1, off**. Puis, appuyez sur le bouton **ENTER** pour confirmer votre sélection.

Réinitialisation des paramètres d'usine

Pour régler la radio sur les paramètres d'origine, accédez à l'écran de réinitialisation d'usine, suivez les conseils <Réinitialisation des paramètres d'usine ?>. Choisissez <OUI> pour réinitialiser, et la radio aura redémarré.

REMARQUES: Vous pouvez également appuyer sur le bouton **SCAN** pour régler le niveau de rétroéclairage.

Version SW :

Pour vérifier la version du logiciel du système.

Éliminer les stations (disponible uniquement en mode DAB / DAB +)

Pour supprimer des stations répertoriées, mais non disponibles.

Accédez à l'écran Éliminer, utilisez le bouton ◀/▶ pour sélectionner <Oui> ou <Non>, puis, appuyez sur le bouton **ENTER** pour confirmer votre sélection. Les stations indisponibles sont maintenant supprimées si vous avez choisi <Oui>.

Ordre des stations (disponible uniquement en mode DAB / DAB +)

Accédez à l'écran Ordre des stations, utilisez le bouton ◀/▶ pour sélectionner l'un des ordres de la station, puis appuyez sur le bouton **ENTER** pour confirmer.

Fonctionnement DAB/DAB+

Après avoir allumé la radio, appuyez sur le bouton **MODE** à plusieurs reprises pour sélectionner et accéder au **mode DAB/DAB+**.

Balayage des stations

En mode DAB / DAB +, la radio balaye automatiquement les stations trouvées dans cette zone.

Appuyez sur le bouton ◀/▶ pour sélectionner les stations précédentes ou suivantes, puis appuyez sur le bouton **ENTER** pour activer la lecture de la station.

Réglage des stations

Appuyez longuement sur le bouton **INFO/MENU**, lorsque <Balayage station > apparaît, appuyez sur le bouton **ENTER**, puis, utilisez le bouton ◀/▶ pour faire défiler les options de balayage : <Balayage complet>, <Réglage manuel>.

- Sélectionnez <Réglage manuel>, puis appuyez sur la touche **ENTER** pour activer la recherche complète.
- Sélectionnez le <Réglage manuel> et appuyez sur le bouton **ENTER**, utilisez le bouton ◀/▶ pour sélectionner les stations de **5A:174.928 MHz à 13F:239.200 MHz**. Appuyez ensuite sur le bouton **ENTER** pour activer la station sélectionnée.

Mémoriser des stations

Il est possible de mémoriser jusqu'à **10** de vos stations DAB préférées. Ceci vous permettra d'accéder à vos stations favorites rapidement et facilement.

- Pour mémoriser un préréglage, vous devez d'abord écouter la station que vous souhaitez enregistrer.
- Appuyez sur la touche **PRESET**.
- Utilisez le bouton ◀/▶ pour sélectionner le nombre de préréglage souhaité **1-10**.
- Appuyez et maintenez le bouton **ENTER** pour confirmer.

Rappel d'une station mémorisée

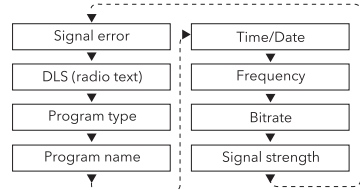
Une fois que vous avez enregistré les stations sur les stations préréglées. Vous pouvez les rappeler en appuyant sur le bouton **PRESET**.

Appuyez sur le bouton ◀/▶ pour sélectionner les stations mémorisées et appuyez sur le bouton **ENTER** pour confirmer.

Mode d'affichage

Chaque fois que vous appuyez sur le bouton **INFO/MENU**, l'écran affichera les modes d'affichage suivants :

Les informations sont affichées sur le segment inférieur de l'écran LCD.



Dynamic Label Segment (DLS)

Affiche les informations textuelles défilantes fournies par le diffuseur.

PTY (Type de programme)

Indique le type et la description du programme fourni par la station DAB / DAB +.

Débit binaire

Le débit de données auquel le signal est transmis.

Fréquence

Affiche le numéro et la fréquence du canal de transmission de la station.

Heure et date

Affiche l'heure et la date fournies par le diffuseur.

REMARQUES : DAB – contrairement aux stations radio normales, regroupe plusieurs stations de radio et les transmet sur une seule fréquence.

Fonctions FM

Passes en **mode FM** en appuyant sur le bouton **MODE**.

Sélectionner les stations

Pour rechercher une station FM de **87.5 à 108.00 MHz**.

- Appuyez sur le bouton ◀ ou ▶ pour passer à revenir en arrière ou avancer la fréquence par pallier de **0.05 MHz**.
- Appuyez longuement sur le bouton ◀ ou ▶ pour passer à la station précédente ou suivante à la réception la plus puissante. Une fois qu'une station a été trouvée, le balayage s'arrête automatiquement. Si aucune station n'est trouvée, le balayage s'arrêtera après avoir parcouru toute la fréquence.

Réglage des stations

- Appuyez longuement sur le bouton **SCAN** pour procéder au balayage des stations. Durant le balayage, l'écran affichera une barre de défilement indiquant la progression du balayage et le nombre de stations de radio trouvées jusque là. Une fois le balayage terminé, la radio émettra la première station trouvée.
- Appuyez longuement sur le bouton **INFO / MENU** pour accéder à l'écran <Réglage audio>, utilisez le bouton ◀/▶ et appuyez sur le bouton **ENTER** pour choisir: <Mono forcé> ou <Stéréo autorisé>.

Mémoriser des stations

Il est possible de mémoriser jusqu'à **10** de vos stations FM préférées. Ceci vous permettra d'accéder à vos stations FM favorites rapidement et facilement.

- Pour mémoriser un préréglage, vous devez d'abord écouter la station que vous souhaitez enregistrer.
- Appuyez sur la touche **PRESET**.
- Utilisez le bouton ◀/▶ pour sélectionner le numéro de préréglage souhaité **1-10**.
- Appuyez et maintenez le bouton **ENTER** pour confirmer.

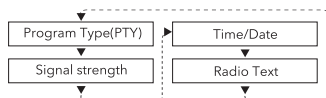
Rappel d'une station mémorisée

Une fois que vous avez enregistré les stations sur les stations préréglées. Vous pouvez les rappeler en appuyant sur le bouton **PRESET**.

Appuyez sur le bouton ◀/▶ pour sélectionner les stations mémorisées et appuyez sur le bouton **ENTER** pour confirmer.

Mode d'affichage

Appuyez sur la touche **INFO/MENU** pour parcourir les informations FM fournies par les stations :



Fonctions Bluetooth

Appuyez plusieurs fois sur la touche **MODE** pour sélectionner et accéder au **mode Bluetooth**.

- Une fois en mode Bluetooth, "**Connecter**" apparaît et continue de clignoter pendant que l'unité essaie de se connecter aux appareils précédemment associés. Si aucun périphérique n'est trouvé "**Connecter**" continue à clignoter pour indiquer qu'il est prêt à être associé à un nouvel appareil.
- Activez votre périphérique Bluetooth et recherchez un périphérique nommé "**SHARP DR-S460**" dans la liste.
- Sélectionnez et activez appariement pour le périphérique "**SHARP DR-S460**". Si vous êtes invité à entrer un mot de passe, entrez "**0000**".
- Si l'appariement réussit, l'appareil émettra un son et le "**Connecter**" clignotant changera pour "**Connecté**".
- Si l'appareil connecté est hors de portée, la radio tentera de se reconnecter pendant 2 minutes. Lorsque l'appareil est à portée, la radio se reconnecte automatiquement.
- Vous devriez maintenant pouvoir diffuser de l'audio sans fil depuis votre périphérique Bluetooth.
- Pour vous déconnecter, appuyez sur le bouton **MODE** sur la radio pour passer à un autre mode. Ou désactivez la fonction Bluetooth sur votre appareil.

REMARQUES :

- Le rayonnement opérationnel de Bluetooth est d'environ 7 mètres. Les obstacles entre les appareils peuvent réduire cette plage.
- Un seul périphérique Bluetooth peut être associé à la fois.
- Tous les appareils Bluetooth ne sont pas compatibles.

Dépannage

Ce produit ne contient aucune pièce réparable par l'utilisateur. En cas de défaut, contactez le fabricant ou le département de service après-vente autorisé. L'exposition aux pièces internes situées à l'intérieur de l'appareil peuvent mettre votre vie en danger. La garantie du fabricant ne couvre pas les défauts provoqués par des réparations effectuées par des tiers non autorisés.

Absence de son

Cause

- Le volume n'est pas activé.

Solution

- Ajustez le bouton de volume principal.

Son statique

Cause

- La réception du signal est trop faible.

Solution

- Ajustez l'antenne ou déplacez l'appareil vers un emplacement de signal plus fort.

Le son est déformé

Cause

- Le volume est trop élevé

Solution

- Réduisez le volume

Station souhaitée introuvable

Cause

- Signal faible

Solution

- Utilisez la fonction de réglage manuel

Pas de fonctions DAB

Cause

- Aucune couverture DAB dans votre secteur.
- Mauvaise réception

Solution

- Ajustez la position de l'antenne.

L'écran est blanc

Cause

- Cela peut se produire si le diffuseur change l'appellation d'un service ou supprime une appellation lors de la mise au point.

Solution

- La radio essaiera un nouveau réglage.
- Procéder à un balayage

Pas d'alimentation

Cause

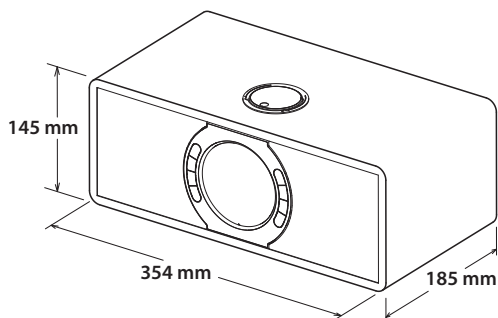
- L'adaptateur n'est pas connecté à la prise murale.

Solution

- Assurez-vous que l'adaptateur est branché.

Spécification technique

Modèle	DR-S460
Puissance de sortie	2x7W (RMS)
Consommation électrique (max.)	26W
Consommation électrique en veille	<1W
Fréquence FM	87.5-108MHz
Fréquence DAB+	174.928-239.200MHz
Bluetooth	
Version	V 4.2
Bande de fréquences	2402 MHz ~ 2480 MHz
Puissance maximale transmise	4dBm
Power Adapter	
Nom du modèle :	FJ-SW1202000N
Entrée :	AC 100-240V ~ 50/60Hz, 0.6A Max
Sortie :	DC 12V ≈ 2000mA
Fabricant :	SHENZHEN FU JIA APPLIANCE CO., LTD B1,Xujing chang Industrial Park, Haoye Road, Fuyong 518103 Shenzhen, China



KG 2,95kg

Ważne środki ostrożności

Proszę zapoznać się z niniejszymi instrukcjami bezpieczeństwa i wziąć pod uwagę poniższe ostrzeżenia zanim urządzenie zostanie uruchomione:



Wykrzyknik wewnątrz trójkąta równobocznego powiadamia użytkownika o ważnych wskazaniach dotyczących obsługi i konserwacji (serwisowania) zawartych w instrukcji obsługi urządzenia.



Należy korzystać wyłącznie z zasilacza opisanego w instrukcji obsługi.



Ten symbol oznacza, że produkt należy usuwać w sposób przyjazny dla środowiska, a nie z innymi odpadkami gospodarczymi.



napięcie zmienne



napięcie stałe



urządzenie klasy II



Tylko do użytku w pomieszczeniach



Efektywność energetyczna na poziomie VI



Biegunowość zasilacza prądu stałego

Żeby zapobiec pożarowi, zawsze trzymaj świece i inne źródła otwartego ognia z daleka od urządzenia.



urządzenia może stanowić zagrożenie dla życia. Gwarancja nie obejmuje usterek wywołanych naprawami wykonywanymi przez nieupoważnione strony trzecie.

- Nie używaj produktu tuż po rozpakowaniu. Przed użyciem należy odczekać, aż urządzenie nagrzeje się do temperatury pokojowej.
- Urządzenia można używać tylko w umiarkowanym klimacie (nie w klimacie zwrotnikowym i podzwrotnikowym).
- Umieść urządzenie na płaskiej, stabilnej powierzchni, która nie jest narażona na wibracje.
- Dopilnuj, by urządzenie nie wystawało za krawędź mebla, na którym stoi.
- Aby zmniejszyć ryzyko pożaru, porażenia prądem i uszkodzenia produktu, nie wystawiaj go na bezpośrednie działanie światła słonecznego, kurzu, deszczu czy wilgoci. Nigdy nie narażaj urządzenia na zamoczenie lub zachłapanie i nie stawiaj na nim ani w jego pobliżu zbiorników wypelnionych cieczą.
- Nie stawiaj żadnych przedmiotów ani zbiorników z płynami, takich jak wazony itp., na urządzeniu.
- Nie umieszczaj urządzenia w pobliżu źródeł ciepła, takich jak grzejniki, nawiewy, piece czy inne urządzenia (w tym wzmacniacze) emitujące ciepło.
- Nie umieszczaj produktu tam, gdzie wilgotność jest wysoka, a wentylacja słaba.
- Dopilnuj, by zostawić 5 cm wolnego miejsca wokół urządzenia dla zapewnienia odpowiedniej wentylacji. Nie zakrywaj otworów wentylacyjnych urządzenia. Upewnij się, że otwory wentylacyjne nie są zakryte przedmiotami, takimi jak gazety, ściereki, zasłony itp.
- NIGDY nie pozwalaj nikomu, zwłaszcza dzieciom, wpychać czegokolwiek w otwory, gniazda i inne szczeliny w obudowie urządzenia: może to skutkować śmiertelnym porażeniem prądem.
- Burze stanowią niebezpieczeństwo dla wszystkich urządzeń elektrycznych. Jeśli przewód zasilający lub przewody antenowe zostaną trafione piorunem, urządzenie może zostać uszkodzone, nawet gdy jest wyłączone. Przed nadejściem burzy należy odłączyć od urządzenia wszystkie przewody i złącza.
- Słuchanie zbyt głośnych dźwięków przez słuchawki douszne i nauszne może powodować utratę słuchu.

Ostrzeżenie:

- Zawsze zachowuj podstawowe środki ostrożności podczas korzystania z urządzenia, zwłaszcza w obecności dzieci.
- Nadzoruj dzieci, by nie bawiły się urządzeniem.
- Należy chronić przewód zasilający przed uszkodzeniem, nie umieszczać na nim ciężkich przedmiotów, rozciągać go ani zginać. Nie podłączać urządzenia do przedłużaczy. Uszkodzenie przewodu zasilającego może spowodować pożar lub porażenie prądem.
- Uwważaj, by nie uszkodzić kabla zasilającego: nie stawiaj na nim ciężkich przedmiotów, nie rozciągaj go ani nie wyginaj. Nie podłączaj urządzenia do przedłużaczy. Uszkodzenie kabla zasilającego może spowodować pożar lub porażenie prądem.
- Jeśli przewód zasilający zostanie uszkodzony, należy go wymienić u producenta, w serwisie lub u innej wykwalifikowanej osoby, żeby ochronić się przed zagrożeniem.
- Dopilnuj, by urządzenie zostało podłączone do gniazda zasilania 110-240V ~ 50/60Hz. Używanie wyższego napięcia może powodować awarie, a nawet zapalenie się urządzenia.
- Jeśli wtyczka nie mieści się w gnieździe, nie wolno wciskać jej na siłę.
- Wyłącz urządzenie przed odłączeniem go od prądu, by całkowicie je wyłączyć.
- Nie odłączaj ani nie podłączaj kabla zasilającego mokrymi rękami. Może to spowodować porażenie prądem.
- Jeśli urządzenie nie jest używane przez dłuższy czas, należy odłączyć je od źródła zasilania.
- Dopilnuj, by wtyczka była zawsze łatwo dostępna.
- Niniejszy produkt nie posiada żadnych części, które może naprawiać użytkownik. W przypadku wystąpienia usterki skontaktuj się z producentem lub autoryzowanym serwisem. Odsłanianie wewnętrznych części

Konserwacja

- Przed czyszczeniem urządzenia odłącz przewód zasilający od prądu.
- Do czyszczenia zewnętrznej części obudowy użyj miękkiej, czystej ściereczki. Nigdy nie czyść obudowy chemikaliami ani detergentami.

Zasilacz

- Żeby odłączyć urządzenie od zasilania sieciowego, odłącz przewód zasilający od gniazda elektrycznego.
- Korzystaj wyłącznie z zasilacza dostarczonego w zestawie. Użycie innego zasilacza może spowodować zagrożenie dla bezpieczeństwa i/lub uszkodzenie urządzenia.

Utylizacja sprzętu

- Nie wyrzucać niniejszego produktu razem z niesortowanymi odpadami z gospodarstwa domowego. Oddaj je do wyznaczonego punktu odbioru w celu przetworzenia zgodnie z przepisami WEEE. W ten sposób oszczędzasz zasoby naturalne i chronisz środowisko.



- Powyższy symbol umieszczony jest na urządzeniach elektrycznych i elektronicznych (lub na ich opakowaniach), by przypomnieć użytkownikowi o tej zasadzie.
- Użytkownicy powinni zgłaszać się do wyznaczonych punktów odbioru zużytych urządzeń i baterii.

Deklaracja zgodności:

- UMC Poland sp. z o.o. niniejszym oświadcza, że to urządzenie spełnia zasadnicze wymagania oraz inne odnośne normy określone w dyrektywie RED 2014/53/UE. Pełen tekst deklaracji zgodności WE jest dostępny pod następującym linkiem: <http://www.sharpconsumer.eu/documents-of-confirmity>

Znaki handlowe:



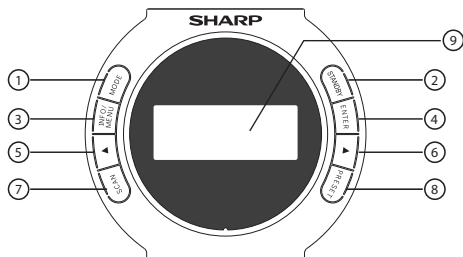
Nazwa i logo *Bluetooth*[®] są zarejestrowanymi znakami handlowymi firmy Bluetooth SIG, Inc.

Zawartość opakowania

- 1 x Urządzenie główne
- 1 x Instrukcja obsługi
- 1 x Skrócona instrukcja instalacji
- 1 x Zasilacz
- 1x wytyczka sieciowa do zasilacza w wersji dla Wielkiej Brytanii
- 1x wytyczka sieciowa do zasilacza w wersji dla krajów UE

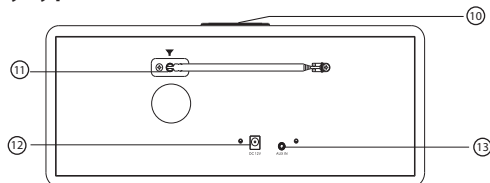
Panele i przyciski

Przedni panel



- MODE** – Naciśnij, aby zmienić tryby: DAB / DAB+, FM, Bluetooth, AUX IN.
- STANDBY** – Naciśnij ten przycisk, aby włączyć urządzenie lub przejść do trybu gotowości.
- INFO/MENU** – Naciśnij, aby wyświetlić informacje o stacji lub przejść do ekranu ustawień głównego menu.
- ENTER** – Naciśnij, aby potwierdzić wybór.
- PREVIOUS** ◀ – Naciśnij, aby wrócić do poprzednich wyborów, lub, aby zmniejszyć częstotliwość, lub wyszukać poprzednią najsilniejszą stację.
- NEXT** ▶ – Naciśnij, aby przejść do następnego wyboru, lub, aby zwiększyć częstotliwość lub wyszukać kolejną najsilniejszą stację.
- SCAN** – Służy do skanowania stacji radiowych lub do regulacji poziomu podświetlenia.
- PRESET** – Naciśnij, aby przywołać zaprogramowane stacje.
- DISPLAY SCREEN** – Aby wyświetlić informacje.

Tylny panel



- Volume** – Obróć pokrętkę głośności, aby wyregulować poziom głośności.
- FM Antenna** – Aby odebrać sygnał FM.
- DC Power input** – DC 12V
- AUX IN jack** – Podłącz kabel audio 3,5 mm do tego gniazda, aby cieszyć się zewnętrzną muzyką audio

Ogólne instrukcje użytkownika

Zasilacz sieciowy (dostarczony w zestawie)

Podłączyć przewód zasilający do **gniazda prądu stałego** znajdującego się na tylnym panelu odbiornika.

Optymalna jakość odbioru

Maksymalnie wysunąć antenę teleskopową.

Włączyć odbiornik

Naciśnąć przycisk **STANDBY**, aby włączyć odbiornik.

Przejdź do trybu czuwania

Aby przejść w tryb czuwania podczas korzystania z odbiornika, naciśnąć i przytrzymać przycisk **STANDBY**. Naciśnąć ponownie, aby włączyć odbiornik. Jeśli w ciągu 15 minut nie zostanie wykonana żadna operacja, odbiornik automatycznie przejdzie w tryb czuwania.

Regulacja głośności

Obrócić **pokrętkę regulacji głośności**, aby ustawić pożądany poziom dźwięku. Słuchanie radia przy wysokim poziomie głośności grozi uszkodzeniem słuchu. Długotrwałe narażenie na wysoki poziom głośności grozi uszkodzeniem słuchu.

Pierwsze użycie odbiornika

Po pierwszym włączeniu, odbiornik automatycznie zacznie wyszukiwać stacje. Podczas wyszukiwania, na ekranie pojawi się pasek wskazujący postępy i ilość znalezionych stacji radiowych. Po zakończeniu wyszukiwania, odbiornik przełączy się na pierwszą znaną stację.

Funkcja drzemki

Gdy alarm włączy się w trybie czuwania, obrócić **pokrętkę głośności**, aby aktywować funkcję drzemki (**SNOOZE**).

Alarm włączy się ponownie po 5 minutach.

Wyłącznik czasowy (SLEEP)

Aby ustawić wyłącznik czasowy, kilkakrotnie naciśnąć przycisk **SLEEP** i wybrać jedną z następujących opcji: off (wyłączony), 15, 30, 45, 60, 90 minut. Po upływie ustawionego czasu, urządzenie przejdzie w tryb uśpienia.

Wybór trybu

Kiedy odbiornik jest w użyciu, naciśnąć kilkakrotnie przycisk **MODE**, aby przełączyć go na wybrany przez siebie tryb: DAB/DAB+, FM, Bluetooth, AUX IN.

Informacje o stacji

Naciśnąć przycisk **INFO/MENU**, aby uzyskać dostęp do informacji o stacjach.

Automatyczne ustawienie godziny

Godzinę i datę można ustawiać automatycznie, jeśli system rozpozna sygnał RDS. Jeżeli sygnał RDS jest słaby lub nie można go wykryć, godzina nie zostanie automatycznie zaktualizowana.

Ustawienie menu głównego

Przytrzymać przycisk **INFO/MENU**, aby przejść do ekranu konfiguracji menu głównego. Znaleźć i otworzyć ekran **<System>**, naciskając przycisk **SCAN**. Następnie na pomocą przycisków ◀▶ przejrzeć opcje menu: **<Time setup/Ustawienie czasu>**, **<Alarms/Budzik>**, **<Sleep/Uśpienie>**, **<Language/Język>**, **<Prune/Eliminacja>**, **<Station Order/Kolejność stacji>**, **<Backlight/Podświetlenie>**, **<Factory reset/Ustawienia fabryczne>**, **<SW version/Wersja SW>**.

UWAGA: Opcje <Prune> i <Station Order> są dostępne tylko w trybie DAB.

Wybrać jedną z opcji, a następnie przejść do menu, naciskając przycisk **ENTER**.

Ustawienie godziny

- Ustawić zegar:** 00:00 (godzina:minuty) za pomocą przycisków ◀▶ oraz **ENTER**.
- Ustawić datę:** 01-01-2018 (dzień-miesiąc-rok), podobnie jak w przypadku „**ustawienia zegara**”.

- Automatyczna aktualizacja:** < No update/Brak aktualizacji> lub < From radio/Z radia>, nacisnąć przycisk **ENTER**, by potwierdzić.
- Ustawić czas w preferowanym przez siebie formacie 12/24.**
Po wykonaniu powyższych czynności, godzinę należy ustawić ręcznie.

Budzik

Kiedy wyświetla się <Alarms>,

- Nacisnąć przycisk **ENTER**, by wprowadzić ustawienia budzika.
- Wybrać <Alarm 1: off> lub <Alarm 2: off>, nacisnąć przycisk **ENTER**, aby włączyć budzik **On**.
- Przyciskiem <▶/▶> ustawić **godzinę budzenia**, a następnie potwierdzić, naciskając **ENTER**.
- Wybrać **dni budzenia**: Codziennie, jednorazowo, dni robocze, weekendy.
- Ustawić **tryb budzika**: DAB, FM, Buzzer (dzwonek).
- Ustawić **głośność budzika**: służy do tego suwak regulacji głośności alarmu. Naciskając przyciski <▶/▶>, zwiększyć lub zmniejszyć poziom głośności, a następnie potwierdzić przyciskiem **ENTER**.
- Po potwierdzeniu powyższych ustawień, przejść do ekranu **Save** i nacisnąć przycisk **ENTER**, aby zapisać ustawienia budzika.
- Aby wyłączyć budzik, przejść do ekranu ustawień budzika, nacisnąć przycisk **ENTER** i wybrać **Off**, a następnie przejść do ekranu zapisu, aby zapisać nowe ustawienie.

Wyłączenie (Ustawienie wyłącznika czasowego) - krótko nacisnąć przycisk SLEEP

Przejdź do ekranu ustawień wyłącznika czasowego, aby wybrać czas wyłączenia: **off/15/30/45/60/90 minut**.

Język (Ustaw język systemu)

Przejdź do ekranu ustawień języka i ustawić język za pomocą przycisków <▶/▶> oraz **ENTER**.

Podświetlenie

Przejdź do ekranu ustawień Backlight (podświetlenie) za pomocą przycisku <▶/▶> i wybrać pożądaný poziom podświetlenia ekranu: **3, 2, 1, off**. Następnie nacisnąć przycisk **ENTER**, aby potwierdzić swój wybór.

Przywracanie ustawień fabrycznych

Aby przywrócić oryginalne ustawienia odbiornika, przejść do ekranu ustawień fabrycznych, postępować zgodnie ze wskazówkami <Factory reset?>, wybrać <YES>, aby zresetować; odbiornik włączy się ponownie.

UWAGA: Możesz także nacisnąć przycisk **SCAN**, aby wyregulować poziom podświetlenia.

Wersja oprogramowania

Informacja o wersji oprogramowania systemu.

Eliminacja stacji (opcja dostępna tylko w trybie DAB/DAB+)

Służy usunięciu stacji znajdujących się na liście, ale niedostępnych.

Przejdź do ekranu Usuwania, za pomocą przycisku <▶/▶> i wybrać <Yes> lub <No>, a następnie potwierdzić dokonany wybór naciskając przycisk **ENTER**. Niedostępne stacje zostaną usunięte po wybraniu <Yes>.

Kolejność stacji (opcja dostępna tylko w trybie DAB/DAB+)

Przejdź do ekranu kolejności stacji, przyciskiem <▶/▶> wybrać kolejność stacji, a następnie nacisnąć przycisk **ENTER**, aby potwierdzić.

Przyciskami <▶/▶> wybrać poprzednią lub następną stację, a następnie nacisnąć przycisk **ENTER**, aby włączyć odtwarzanie.

Dostrajanie stacji

Przytrzymać przez chwilę przycisk **INFO/MENU**, kiedy wyświetli się <Station scan>, nacisnąć przycisk **ENTER**, a następnie przejrzeć opcje skanowania przyciskiem <▶/▶>: <Full scan>, <Manual tune>.

- Wybrać opcję pełnego skanowania <Full scan> i nacisnąć przycisk **ENTER**, by uruchomić skanowanie.
- Wybrać opcję ręcznego dostrajania <Manual tune> i przycisk **ENTER**, użyć przycisków <▶/▶>, żeby wybrać stację od **5A:174.928 MHz** do **13F:239.200 MHz**. Następnie nacisnąć przycisk **ENTER**, by rozpocząć odtwarzanie wybranej stacji.

Store Stations

Można zapisać maksymalnie **10** ulubionych stacji. This will enable you to access your favourite stations quickly & easily.

- Można zapisać tylko odtwarzane stacje.
- Nacisnąć przycisk **PRESET**.
- Przyciskami <▶/▶> wybrać numer **1-10**.
- Nacisnąć i przytrzymać przycisk **ENTER**, aby potwierdzić.

Przywoływanie stacji z pamięci

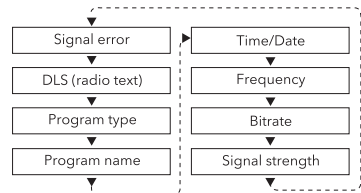
Wyłącznie po zapisaniu wybranych stacji. Można przywołać stację z pamięci za pomocą przycisku **PRESET**.

Nacisnąć przycisk <▶/▶>, aby wybrać zapisane stacje, a następnie potwierdzić przyciskiem **ENTER**.

Tryb wyświetlania

Każde naciśnięcie przycisku **INFO/MENU** spowoduje wyświetlenie poniższych trybów wyświetlania.

Informacje są wyświetlane w dolnej części wyświetlacza LCD.



Dynamic Label Segment (DLS)

Wyświetla przewijane informacje tekstowe od nadawcy.

PTY (Typ programu)

Wyświetla typ i opis programu dostarczanego przez stację DAB/DAB+.

Przepływowość

Prędkość przesyłanego sygnału.

Częstotliwość

Wyświetla numer kanału i częstotliwość stacji.

Godzina i data

Wyświetla informacje o godzinie i dacie przekazane przez nadawcę.

UWAGA: System DAB – w przeciwieństwie do systemu analogowego, grupuje kilka stacji radiowych i transmituje ich audycje na jednej częstotliwości.

Działanie DAB/DAB+

Po włączeniu odbiornika, kilkakrotnie nacisnąć przycisk **STANDBY**, aby wybrać tryb **DAB/DAB+**.

Skanowanie stacji

Po przełączeniu na tryb DAB/DAB+, odbiornik automatycznie skanuje zidentyfikowane na danym obszarze stacje.

Tryb FM

Przejdź do **trybu FM**, naciskając przycisk **MODE**.

Wybór stacji

Wybór stacji FM od **87.5** do **108.0 MHz**.

- Nacisnąć przycisk <▶/▶> lub <▶/▶>, aby zmienić częstotliwość, przechodząc wstecz lub do przodu o **0.05 MHz**.

- Nacisnąć dłużej przycisk ◀ lub ▶, aby przejść do kolejnej lub poprzedniej stacji o najsilniejszym sygnale. Po znalezieniu stacji, skanowanie zatrzymuje się automatycznie. Jeśli żadna stacja nie zostanie znaleziona, skanowanie zatrzyma się po przejściu przez całą częstotliwość.

Strojenie stacji

- Trzymać naciśnięty przycisk **SCAN**, aby przeskanować stacje. Podczas skanowania na ekranie pojawi się suwaka wskazujący postęp skanowania i liczbę znalezionych stacji radiowych. Po zakończeniu skanowania odbiornik odtworzy pierwszą znalezioną stację.
- Naciśnij i przytrzymaj przycisk **INFO / MENU**, aby przejść do ekranu <Ustawienia audio>, użyj przycisku ◀/▶ i naciśnij przycisk **ENTER**, aby wybrać: <Forced mono> lub <Stereo allowed>.

Zapisywanie stacji

Można zapisać maksymalnie **10** ulubionych stacji. Dzięki temu łatwo i szybko można uzyskać dostęp do ulubionych stacji FM.

- Można zapisać tylko odtwarzaną stację.
- Nacisnąć przycisk **PRESET**.
- Przyciskiem ◀/▶ wybrać numer **1-10**.
- Nacisnąć i przytrzymać przycisk **ENTER**, aby potwierdzić.

Przywołanie zapisanej stacji

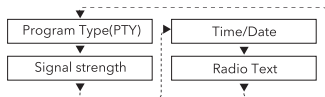
Wyłącznie po zapisaniu danej stacji na liście zaprogramowanych stacji.

Stację można przywołać za pomocą przycisku **PRESET**.

Nacisnąć przycisk ◀/▶, aby wybrać zapisane stacje, a następnie przycisk **ENTER**, aby potwierdzić.

Tryb wyświetlania

Nacisnąć przycisk **INFO/MENU**, aby przejrzeć informacje udostępnione przez stacje radiowe:



Działanie Bluetooth

Nacisnąć kilkakrotnie przycisk **MODE** i wybrać **tryb Bluetooth**.

- W trybie Bluetooth wyświetla się sygnał „**Connecting**”; miga, gdy odbiornik próbuje połączyć się z urządzeniami, które wcześniej z nim połączyło. Jeżeli nie odnajdzie żadnych urządzeń, sygnał „**Connecting**” miga, by wskazać, że jest gotowy na połączenie z nowymi urządzeniami.
- Aktywować swoje urządzenie Bluetooth i wyszukać na liście urządzeń oznaczone jako „**SHARP DR-S460**”.
- Wybrać i potwierdzić połączenie z urządzeniem „**SHARP DR-S460**”. Jeśli konieczne będzie podanie hasła, wprowadzić „**0000**”.
- Charakterystyczny dźwięk sygnalizuje, że łączenie urządzeń się powiodło; migający sygnał „**Connecting**” zmienia się wówczas na „**Connected**”.
- Jeśli podłączone urządzenie znajdzie się poza zasięgiem, odbiornik będzie przez 2 minuty próbował ponownie się połączyć. Odbiornik automatycznie połączy się ponownie, gdy urządzenie znajdzie się w zasięgu.
- Bezprzewodowe przesyłanie dźwięku z urządzenia Bluetooth powinno być teraz możliwe.
- Aby rozłączyć, nacisnąć przycisk **MODE** na odbiorniku, co spowoduje przejście urządzenia w inny tryb. Można też wyłączyć funkcję Bluetooth w swoim urządzeniu.

UWAGA:

- Zasięg transmisji Bluetooth wynosi około 7 metrów. Przeszkody pomiędzy urządzeniami mogą zmniejszać zasięg.

- Jednocześnie można połączyć za pomocą Bluetooth tylko jedno urządzenie.
- Nie wszystkie urządzenia Bluetooth są kompatybilne.

Rozwiązywanie problemów

Niniejszy produkt nie posiada żadnych części, które może naprawiać użytkownik. W przypadku wystąpienia usterki skontaktuj się z producentem lub autoryzowanym serwisem. Odsłanianie wewnętrznych części urządzenia może stanowić zagrożenie dla życia. Gwarancja nie obejmuje usterek wywołanych naprawami wykonywanymi przez nieupoważnione strony trzecie.

Brak dźwięku

Przyczyna

- Dźwięk nie jest włączony.

Rozwiązanie

- Ustawić w odpowiedniej pozycji pokrętko dźwięku.

Szum

Przyczyna

- Słaby odbiór sygnału.

Rozwiązanie

- Wyregulować antenę lub przenieść urządzenie w miejsce, w którym odbiór sygnału jest lepszy.

Dźwięk jest zniekształcony.

Przyczyna

- Zbyt wysoki poziom głośności.

Rozwiązanie

- Zmniejszyć głośność.

Nie odnaleziono żądanej stacji.

Przyczyna

- Słaby sygnał

Rozwiązanie

- Użyć funkcji ręcznego dostrajania.

Nie działa DAB

Przyczyna

- Brak obsługi DAB na danym terenie.

- Słaby sygnał

Rozwiązanie

- Wyregulować ustawienie anteny.

Brak danych na wyświetlaczu.

Przyczyna

- Sytuacja ta może wystąpić, kiedy nadawca zmieni oznaczenie usługi lub usunie oznaczenie w trakcie dostrajania.

Rozwiązanie

- Odbiornik będzie próbował się dostroić.
- Przeprowadzić skanowanie stacji.

Brak zasilania

Przyczyna

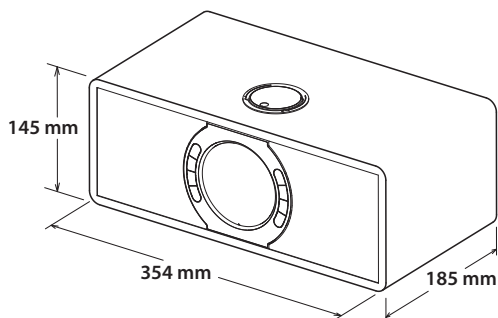
- Zasilacz nie jest podłączony do gniazda w ścianie.

Rozwiązanie

- Sprawdzić, czy zasilacz jest podłączony do gniazda.

Dane techniczne

Model	DR-S460
Moc wyjściowa	2x7W (RMS)
Pobór energii (maks.)	26W
Pobór energii w trybie czuwania	<1W
Częstotliwość FM	87.5-108MHz
DAB+ Częstotliwość	174.928-239.200MHz
Bluetooth	
Wersja	V 4.2
Pasma częstotliwości	2402 MHz ~ 2480 MHz
Maksymalny poziom przekazywanej mocy	4dBm
Power Adapter	
Nazwa modelu:	FJ-SW1202000N
Wejście:	AC 100-240V ~ 50/60Hz, 0.6A Max
Wyjście:	DC 12V ≈ 2000mA
Producent:	SHENZHEN FU JIA APPLIANCE CO., LTD B1,Xujing chang Industrial Park, Haoye Road, Fuyong 518103 Shenzhen, China



KG 2,95kg



UMC Poland sp. z o.o.

Ostaszewo 57B, 87-148 Łysomice,
Poland

Made in China

SAU/MAN/0055

www.sharpconsumer.eu

SHARP