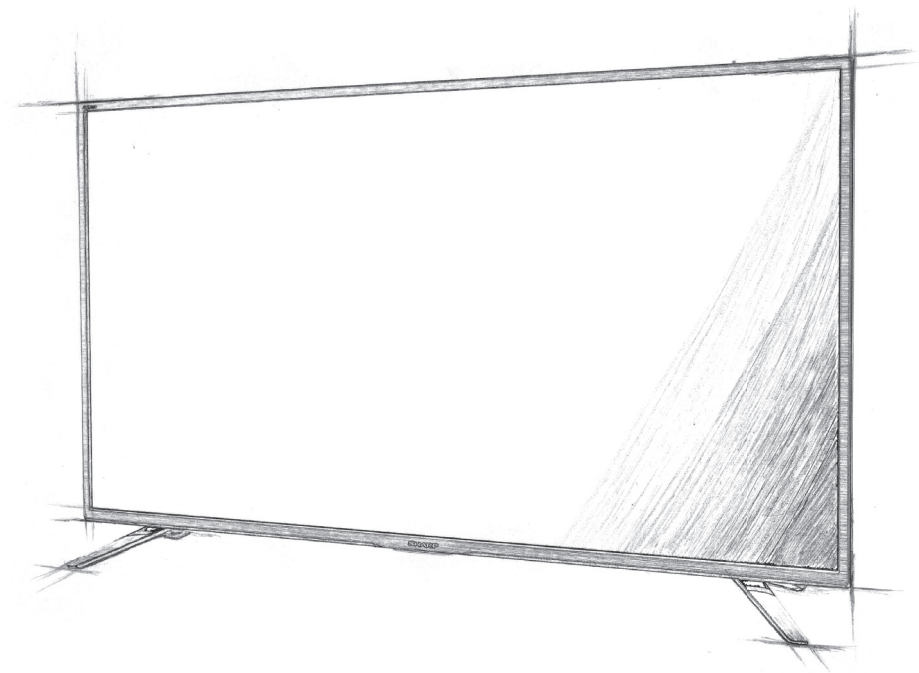


# SHARP



## User manual

LC-50UI7222E

LC-50UI7322E

LC-50UI7422E

EN

PL

CZ

SK

HU

RO

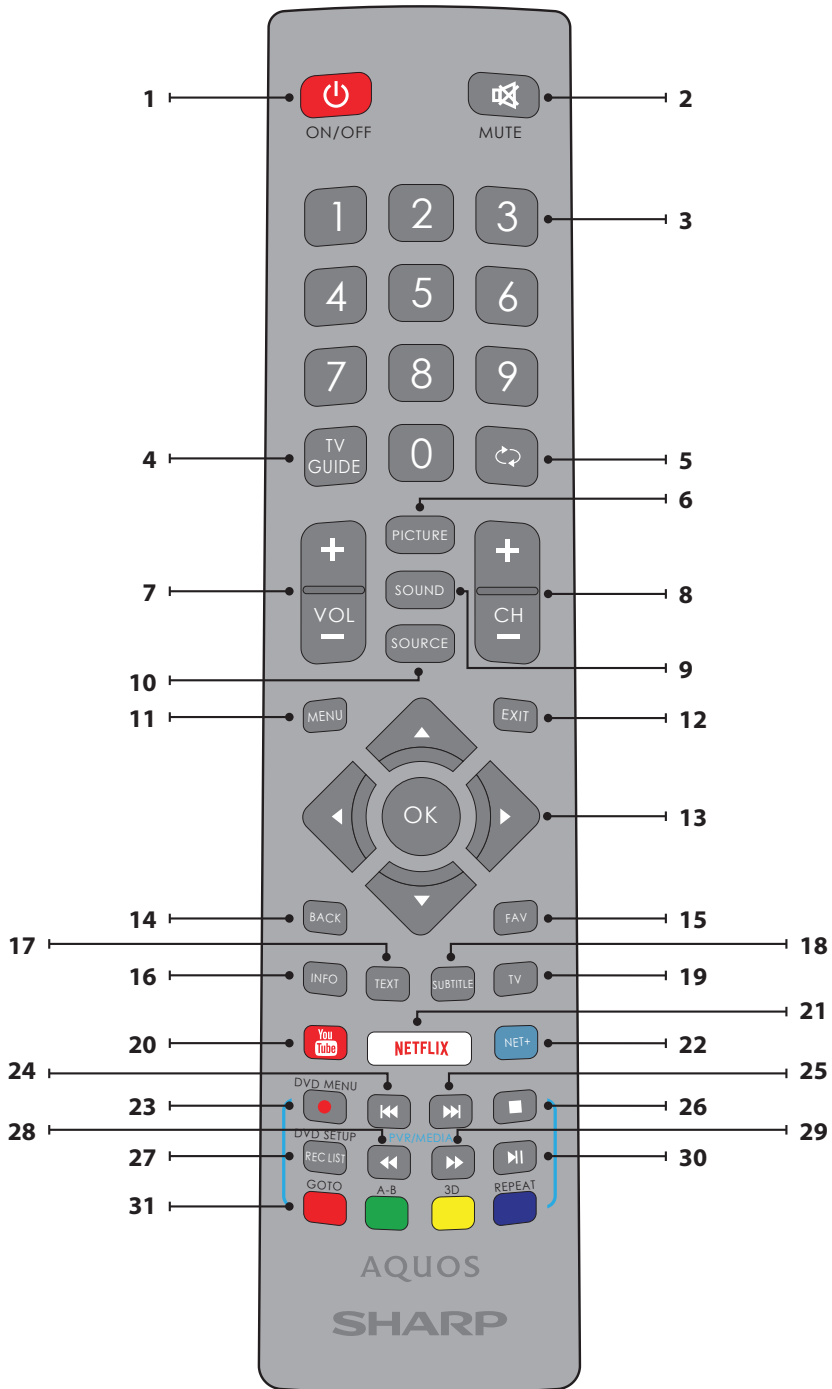
BG

HR

SR

SL

EL





## Important safety instructions



**Please, read these safety instructions and respect the following warnings before the appliance is operated:**

**In order to prevent fire always keep candles and other open flames away from this product.**



- Television sets with 43"size screens or more must be lifted and carried by at least two people.
- This TV does not contain any parts which could be repaired by the user. In case of a fault, contact the manufacturer or the authorised service agent. Contact with certain parts inside the TV might endanger your life. The guarantee does not extend to faults caused by repairs carried out by unauthorized third parties.
- Do not remove the rear part of the appliance.
- This appliance is designed for the receiving and reproduction of video and sound signals. Any other use is strictly forbidden.
- To disconnect the TV from mains please unplug the mains plug from the mains socket.
- If the supply cord is damaged, it must be replaced by the manufacturer, a service agent or similarly qualified persons in order to avoid a hazard.
- The ideal distance to watch TV is approximately five times longer than the diagonal of the screen. Reflections on the screen from other light sources can make the quality of the picture worse.
- Ensure the TV has sufficient ventilation and is not close to other appliances and other pieces of furniture.
- Ensure a minimum distance of 5 cm around the apparatus for sufficient ventilation.
- Ensure that the ventilation openings are clear of items such as newspapers, table-cloths, curtains, etc.
- The TV set is designed to be used in a moderate climate.
- Do not expose the TV to dripping or splashing liquid.
- The TV set is designed exclusively for operation in a dry place. When using the TV outside, please, make sure it is protected against moisture (rain, splashing water). Never expose to moisture.
- Do not place any objects, containers filled with liquids, such as vases, etc., on the TV. These containers might get pushed over, which would endanger electric safety. Place the TV exclusively on flat and stable surfaces. Do not place any objects such as newspaper or blankets, etc. on or under the TV.
- Make sure the appliance does not stand on any power cables as they might get damaged. Mobile phones and other devices such as WLAN adapters, monitoring cameras with wireless signal transmission, etc. might cause electromagnetic interference and they should not be placed near the appliance.
- Do not place the appliance near heating elements or in a place with direct sunlight as it has a negative effect on cooling of the appliance. Heat storage is dangerous and it can seriously reduce the lifetime of the appliance. In order to ensure the safety, ask a qualified person to remove the dirt from the appliance.
- Try to prevent damage to the mains cable or mains adapter. The appliance can only be connected with the supplied mains cable/ adapter.

- Storms are dangerous for all electric appliances. If the mains or aerial wiring is struck by lightning the appliance might get damaged, even if it is turned off. You should disconnect all the cables and connectors of the appliance before a storm.
- To clean the screen of the appliance use only a damp and soft cloth. Use only clean water, never detergents and in no case use solvents.
- Position the TV close to the wall to avoid the possibility of it falling when pushed.
- WARNING** - Never place a television set in an unstable location. A television set may fall, causing serious personal injury or death. Many injuries, particularly to children, can be avoided by taking simple precautions such as:
  - Use cabinets or stands recommended by the manufacturer of the television set.
  - Only use furniture that can safely support the television set.
  - Ensure the television set is not overhanging the edge of the supporting furniture.
  - Not place the television set on tall furniture (for example, cupboards or bookcases) without anchoring both the furniture and the television set to a suitable support.
  - Not place the television set on cloth or other materials that may be located between the television set and supporting furniture.
- Educate children about the dangers of climbing on furniture to reach the television set or its controls.
- Ensure that children do not climb or hang onto the TV.
- If your existing television set is being retained and relocated, the same considerations as above should be applied.
- The instructions shown below are a safer way to set up the TV, by fixing it to the wall and will avoid the possibility of it falling forwards and causing injury and damage.
  - For this type of installation you will need a fastening cord
    - A) Using one/both of the top wall-mounting holes and screws (the screws are already supplied in the wall mounting holes) fasten one end of the fastening chord/s to the TV.
    - B) Secure the other end of the fastening chord/s to your wall.
- The software on your TV and the OSD layout can be changed without notice.
- Note:** In case of electrostatic discharge (ESD) the apparatus may show incorrect function. In such case, switch the TV off and back on. The TV will work normally.

### Warning:

- Do not use TV set directly after unpacking. Wait until TV warms up to the room temperature before using it.
- Never connect any external devices to a live appliance. Switch off not only the TV but also the devices which are being connected! Plug the TV plug into the wall socket after connecting any external devices and the aerial!
- Always make sure there is free access to the TV mains plug.
- The appliance is not designed for a use in a workplace fitted with monitors.
- The systematic use of headphones at high volume might lead to irreversible hearing damage.
- Ensure environmental disposal of this appliance and any components including batteries. When in doubt, please, contact your local authority for details of recycling.
- While installing the appliance, do not forget that furniture surfaces are treated with various varnishes, plastics, etc. or they might be polished. The chemicals contained in these products might have a reaction with the TV stand. This could result in bits of the material sticking to the furniture surface, which are difficult to remove, if not impossible.
- The screen of your TV has been produced under top quality conditions and was checked in detail for faulty pixels several times. Due to the technological properties of the manufacturing process, it is not possible to eliminate the existence of a small number of faulty points on the screen (even with maximum care while in production). These faulty pixels are

not considered faults in terms of guarantee conditions, if their extent is not greater than the boundaries defined by DIN norm.

- The manufacturer cannot be held responsible, or be liable, for customer service-related issues related to the third party content or services. Any questions, comments or service-related inquiries relating to the third party content or service should be made directly to the applicable content or service provider.
- There are a variety of reasons you may be unable to access content or services from the device unrelated to the device itself, including, but not limited to, power failure, the Internet connection, or failure to configure your device correctly. Universal Media Corporation, its directors, officers, employees, agents, contractors and affiliates shall not be liable to you or any third party with respect to such failures or maintenance outages, regardless of cause or whether or not it could have been avoided.
- All third party content or services accessible via this device is provided to you on an "as-is" and "as available" basis and Universal Media Corporation and its affiliates make no warranty or representation of any kind to you, either express or implied, including, without limitation, any warranties of merchantability, non-infringement, fitness for a particular purpose or any warranties of suitability, availability, accuracy, completeness, security, title, usefulness, lack of negligence or error-free or uninterrupted operation or use of the content or services provided to you or that the content or services will meet your requirements or expectations.
- 'Universal Media Corporation' is not an agent of and assumes no responsibility for the acts or omissions of third party content or service providers, nor any aspect of the content or service related to such third party providers.
- In no event will 'Universal Media Corporation' and/or its affiliates be liable to you or any third party for any direct, indirect, special, incidental, punitive, consequential or other damages, whether the theory of liability is based on contract, tort, negligence, breach of warranty, strict liability or otherwise and whether or not Universal Media Corporation and/or its affiliates have been advised of the possibility of such damages.

### Important information regarding use of video games, computers, captions and other fixed image displays.

- The extended use of fixed image program material can cause a permanent "shadow image" on the LCD screen (this is sometimes incorrectly referred to as "burnout to the screen"). This shadow image is then permanently visible on the screen in the background. It is irreversible damage. You can avoid such a damage by following instructions below:
- Reduce the brightness/contrast setting to a minimum viewing level.
- Do not display the fixed image for a long period of time. Avoid displaying of:
  - » Teletext time and charts,
  - » TV/DVD menu, e.g. DVD contents,
  - » In the „Pause“ mode (hold): Do not use this mode for a long time, e.g. while watching a DVD or a video.
  - » Turn off the appliance if you are not using it.

### Batteries

- Observe the correct polarity when inserting the batteries.
- Do not expose batteries to high temperatures and do not place them on locations where the temperature might increase quickly, e.g. near the fire or on the direct sunshine.
- Do not expose batteries to excessive radiant heat, do not throw them into the fire, do not disassemble them and do not try to recharge un-rechargeable batteries. They could leak or explode.
  - » Never use different batteries together or mix new and old ones.
  - » Dispose of batteries in an environmentally friendly way.
  - » Most of the EU countries regulate the disposal of batteries by law.



### Disposal

- Do not dispose of this TV as unsorted municipal waste. Return it to a designated collection point for the recycling of WEEE. By doing so, you will help to conserve resources and protect the environment. Contact your retailer or local authorities for more information.



### CE Statement:

- Hereby, UMC Poland Sp. z o.o. declares that this LED TV is in compliance with the essential requirements and other relevant provisions of RED Directive 2014/53/EU. The full text of the EU declaration of conformity is available by following the link: <https://www.sharpconsumer.eu/documents-of-conformity/>

### Trademarks

- The terms HDMI and HDMI High-Definition Multimedia Interface, and the HDMI Logo are trademarks or registered trademarks of HDMI Licensing, LLC in the United States and other countries.
- The "DIGITALEUROPE UHD Display" logo is a trademark of DIGITALEUROPE.
- The DVB logo is the registered trademark of the Digital Video Broadcasting - DVB - project.
- Manufactured under license from Dolby Laboratories. Dolby, Dolby Audio and the double-D symbol are trademarks of Dolby Laboratories.
- For DTS patents, see <http://patents.dts.com>. Manufactured under license from DTS Licensing Limited. DTS, the Symbol, & DTS and the Symbol together are registered trademarks. DTS Studio Sound is a trademark of DTS, Inc. © DTS, Inc. All Rights Reserved.
- YouTube and the YouTube logo are trademarks of Google Inc
- The Wi-Fi CERTIFIED Logo is a certification mark of the Wi-Fi Alliance.
- Wi-Fi CERTIFIED Miracast and Miracast are trademarks of Wi-Fi Alliance
- DLNA, the DLNA Logo and DLNA CERTIFIED are trademarks, service marks, or certification marks of the Digital Living Network Alliance.
- Harman Kardon is trademark of HARMAN International Industries, Incorporated, registered in the United States and/or other countries.

## What is included in the box

### Supply of this TV includes following parts:

- |  |                                   |
|--|-----------------------------------|
| • 1x TV  | • 1x TV stand installation packet |
| • 1x Remote control  | • 1x User guide                   |
| • 2x AAA batteries   |                                   |
| • 1x Wall mount set (4x M6x35 screw and 4x plastic spacer) |                                   |

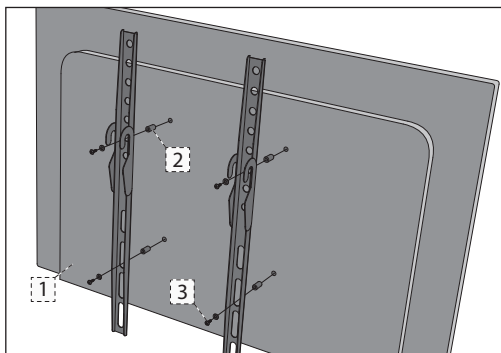
## Attaching the Stand

Please follow the instructions on last page of this user manual.

## Wall mounting the TV

1. Remove the four screws that are supplied in the wall mounting holes.
2. The wall mount can now be easily attached to the mounting holes on the rear of the TV.
3. Install the wall mounting bracket to the television as advised by the bracket manufacturer.

When attaching wall mount brackets on 50" model, instead of screws provided in TV wall mounting holes, we recommend the use of longer screws and spacers included in the accessory pack. Please put spacers into TV wall mounting holes, located on the back of the TV, then put wall brackets onto them. Attach brackets and spacers to TV using longer screws as shown below:



1. TV
2. SPACER
3. SCREW

**NOTE:** TV and the wall bracket type shown in the diagram is for illustration purposes only.

## Getting started - initial set up

1. Using the RF cable, connect the TV to the TV Aerial wall socket.
2. For connecting to the Internet with a wired connection connect a Cat 5/Ethernet cable (not included) from the TV to your broadband modem/router.
3. Connect the power cable to the rear of the TV, and then connect it to the electrical outlet.
4. Insert the batteries supplied into the Remote control.
5. Then press Standby button to power on TV.

6. You will be now welcomed with the **First Time Installation** screen. If it does not appear, on the remote control, please press [MENU] then 8-8-8-8 and the menu will appear. If you wish to make changes to any of the default settings, use the scroll  $\blacktriangle/\blacktriangledown/\blacktriangleleft/\blacktriangleright$  buttons. To exit this menu at anytime, press [EXIT] button.

### 7. Please set desired settings in First Time Installation screen.

**STEP 1** - Set the TV Menu language.

**STEP 2** - set your country

**STEP 3** - Set type of network connection. If you wish to skip this step and connect TV to network later, please choose Skip Network Setting

**STEP 4** - Select the location of TV. For home use, please select Home.

For shop demonstration mode, set Store.

**STEP 5** - choose if your TV has stand, or if it is mounted on the wall. TV will set optimal audio settings for selected option.

**STEP 6** - choose input source which you want to use. If you have connected RF cable directly to TV, choose DTV. If you have satellite directly connected to your TV, choose DVB-S\*. In case you are using set-top-box, please pick correct input to which it is connected.

8. If you selected in last step DTV or DVB-S2, you will be asked if you want to tune channels. If you choose "No", you can tune channels later from SETTINGS/CHANNEL menu. If you choose "Yes", tuning menu will appear.

**Digital TV (DTV) tuning:** In DVB Antenna, please choose which type of signal you have. Terrestrial (DVB-T) or Cable (DVB-C). Then enter Auto tuning and set your desired settings. Again choose Auto tuning to start tuning of channels.

**Satellite (DVB-S2) tuning:** Enter Auto Tuning and enter Satellite. Here you can choose between the various satellites. Select satellite which you wish to tune by pressing OK button on remote control. Then return to previous menu by pressing BACK button on your remote control and choose Auto tuning to start tuning of channels.

**NOTE:** To shorten tuning time of satellite channels, some countries have preinstalled channel list for most popular satellite in that region. If this is the case for your selected country, you will be asked if you wish to load preinstalled channel list. If you choose "Yes", satellite channel list will be imported to your TV within few seconds.

**TIP:** If you are missing channels, the reason for this is likely to be signal strength, you should consider connecting signal booster and re-tuning the TV.

## Remote control

1.  $\text{⏻}$  **STANDBY** – Switch on TV when in standby or vice versa.
2.  $\text{🔇}$  **MUTE** – Mute the sound or vice versa.
3. **0-9** – to select a TV channel directly.
4. **TV GUIDE** – Opens the 7 Day TV Guide (Digital mode).
5.  $\text{⏪}$  – To return to the previous channel viewed.
6. **PICTURE** – Scrolls through picture mode options.
7. **VOL  $\blacktriangle/\blacktriangledown$**  – To increase / decrease the sound level.
8. **CH  $\blacktriangle/\blacktriangledown$**  – To increase or decrease the channel being watched.
9. **SOUND** – Scrolls through sound mode options.
10. **SOURCE** – To display the input/source menu.
11. **MENU** – To display OSD menu.
12. **EXIT** – To exit all menus.
13. **( $\blacktriangle/\blacktriangledown/\blacktriangleleft/\blacktriangleright$ ) / OK** – Allows you to navigate the on-screen menus and adjust the system settings to your preference.
14. **BACK** – Back to previous menu.
15. **FAV** – To display favourites menu.
16. **INFO** – Press once for now/next channel information. Press twice for programme information about current programme.
17. **TEXT** – Teletext mode - To enter Teletext
18. **SUBTITLE** – To switch the dialogue at the bottom of the screen (on/off).
19. **TV** – Switch to digital TV source.
20. **YouTube** – Displays YouTube application
21. **NETFLIX** – Displays NETFLIX application
22. **NET+** – Displays AQUOS NET+ menu.

23. **Rec<sup>1</sup>** – PVR Record  
 24. **⏮** – To restart the current chapter  
 25. **⏭** – To advance forward to the next chapter  
 26. **■** – To stop the playback  
 27. **Rec List<sup>1</sup>** – Opens the list of recordings.  
 28. **⏮** – To play in fast rewind mode.  
 29. **⏭** – To play in fast forward mode.  
 30. **⏸** – To play/pause  
 31. **COLOUR BUTTONS** – Additional teletext and OSD functions

<sup>1</sup> - available only with PVR function

## TV buttons\*

**Vol+** Volume up and menu right

**Vol-** Volume down and menu left

**CH+** Programme/Channel up and menu up

**CH-** Programme/Channel down and menu down

**MENU** Displays Menu/OSD

**SOURCE** Displays the input source menu

**STANDBY** Standby Power On/Off

\* - for TV with buttons

## TV Control Stick\*

TV control stick is located on the lower left corner of back side of the TV. You can use it instead of remote control to control most of the functions of your TV.

### While TV is in standby mode:

- short press of control stick - Power On

### While watching TV:

- RIGHT/LEFT – volume up/volume down
- UP/DOWN – changes channel up/down
- short press – Displays Menu
- long press – Standby Power Off

### While in menu:

- RIGHT/LEFT/UP/DOWN – navigation of cursor in on-screen menus
- short press – OK/Confirm selected item
- long press – Back to previous menu

\* - for TV with control stick

## Choosing Mode Input/Source

To switch between the different input/connections.

### a) Using the buttons on the remote control:

1. Press [SOURCE/□] - The source menu will appear.
2. Press [◀] or [▶] to select the input you require.
3. Press [OK].

### b1) Using the buttons\* on the Television:

1. Press [SOURCE].
2. Scroll up/down using VOL+ /VOL- buttons to the input/source you require.
3. Press [SOURCE] to change input/source to the one selected.

### b2) Using the TV control stick\*:

1. Shortly press control stick to enter menu.
2. Press control stick down and navigate cursor to SOURCES menu.
3. Shortly press control stick to enter SOURCES menu.
4. with control stick choose the input/source you require.
5. By short press of control stick, you will change input/source to the one selected.

\* - optional


## Connections


Please see the table for connector types for different models available on the page 96.


 **USB**  
USB 2.0 input 1, 2; USB 3.0 input 3

 **HDMI 1, 2 (ARC), 3 in**  
HDMI 2.0-Input 1, 2, 3


 **SD Card reader**  
SD Card Input

 **R/L - Video & YPbPr audio In**  
Component / Video audio input


 **Video (CVBS)**  
VIDEO input

 **Component / YPbPr**  
Component HD Input

 **SCART**  
SCART-Input


 **CI Card IN**  
CI input


 **RF In**  
RF/TV Aerial Input

 **Sat In**  
Satellite Input

 **Digital Optical Audio Out**  
Digital optical output

 **RJ 45**  
Ethernet

 **HEADPHONES**  
3.5mm Headphone output

 **D-link**  
service input only

## TV Menu navigation

To access this menu, press [MENU] button on the remote control. To enter a menu press [OK]. If you wish to make changes to any of the default settings, use the scroll (▲/▼/◀/▶) buttons. To confirm any settings press [OK] button. To exit this menu at anytime, press [EXIT] button.

## Netflix

World's leading Internet television network. It is offering thousands of movies and TV shows, including original series, documentaries and feature films. Members can play, pause and resume watching, all without commercials or commitments. You can log in to this application with your existing Netflix account. If you do not have Netflix account yet, you can register via this app or via official Netflix website.

## YouTube

Videosharing app allows you to discover and watch originally-created videos.

**NOTE:** For Youtube app to work, it is required to have set up correct date

and time in TV. For more information about setting up date/time in TV, please refer to the TIME menu chapter of this user guide. Please ensure that your network is not blocking access to YouTube and the speed of your internet connection is fast enough for viewing YouTube content.

## More Apps

Contains the most commonly used apps for quick and easy access.

**AQUOS NET+** - Opens the Sharp SMART portal.

**Weather** - Weather forecasting app AccuWeather.

**Browser** - Application for accessing websites via the internet. Navigation in the browser:

- **CH+** - scroll page up
- **CH-** - scroll page down
- **Red Button** - show/hide browser menu bar
- **Yellow Button** - Zoom in
- **Blue Button** - Zoom out

## Sources

From this menu, you can switch your TV input signal to different source/connected device.

## Media

**USB** - Multimedia mode offers the playback of various content saved on a USB Memory Stick. The content will be divided into various file types: Photo, Music and Movie.

The 'File Option' will show and allow you to play all types of supported content.

1. You can navigate through the menu using the scroll ▲/▼/◀/▶ buttons. To confirm the item you wish to play/view press [OK] button.
2. While viewing content you can control the playback modes using the remote control buttons or by bringing up the playback navigation menu and selecting on-screen buttons ▲/▼/◀/▶ and [OK]

**NOTE:** USB extension cables are not recommended as they can cause a reduction in picture/audio quality and stoppages during play back of USB content.

**Miracast\*** - Allows you to view content from your smart phone or tablet on the TV screen. Miracast is formed using Wi-Fi Direct, so access to a Wi-Fi network is not needed. You can share content from your smartphone or tablet based on Android 4.4 and newer system.

**Media Server** - Automatically searches for digital media servers (DMS) connected to your home network and enables the playback and rendering of content from media servers

\* **This function is only available on selected smartphones and notebooks.**

## PICTURE

**Picture Mode** - Choose from the following presets.

- **Standard** - Default settings
- **Movie** - Set to be lighter in colour and less bright.
- **Personal** - Lets you manually alter all the settings.
- **Eco** - Consume 15% less energy.
- **Dynamic** - Recommended settings for fast moving pictures.

**Contrast** - Switch the balance between black and white.

**Brightness** - Increase or decrease the brightness of the picture.

**Colour** - Increases the colour from black and white.

**Sharpness** - Increase or decrease the sharpness of the picture.

**Colour Temperature** - Choose from the following presets.

- **Normal** - Default settings.
- **Warm** - Increases red within the picture.
- **Cold** - Increases blue within the picture.

**Aspect Ratio** - Picture format varies depending on the channel/broadcast. There are a number of different options to best meet your needs.

- **Auto** - Automatically displays the best picture format. So the picture is in the correct position. May have black lines at the top/bottom and/or sides.
- **4:3** - Displays the 4:3 picture in its original size. Side bars are shown to fill the 16:9 screen.
- **16:9** - Fills the screen with a regular 16:9 signal.
- **Zoom 1/2** - The picture is the correct proportion but zoomed in to fill the screen.
- **Dot by Dot (HDMI)** - Will display the picture in its original resolution without any change.
- **Full Screen** - Stretch signal to fill the screen.

**Expert Settings**

- **Noise Reduction** - Filters and reduces the noise (interference) of the picture.
- **Active Contrast** - Automatically optimises the 'backlight' and 'contrast' of the picture according to the brightness of the screen.
- **Backlight** - Adjust the screen's brightness by increasing/decreasing the panel's backlighting.
- **Gamma** - Adjust the tones between the bright and dark parts of the picture.
- **Red** - Adjust red tone of the picture
- **Green** - Adjust green tone of the picture
- **Blue** - Adjust blue tone of the picture

## SOUND

**Sound Mode** - Choose from the following presets

- **Standard** - Default settings
- **Music** - Emphasises music over voices
- **Movie** - Provides live and full sound for movies
- **Personal** - Selects your personal sound settings
- **Sports** - Emphasises sound for sports

**Equalizer** - Adjusts the volume of different sound frequencies. The equalizer sound levels can only be adjusted when the sound mode 'Personal' is selected.

**Headphones**

- **HP+TV** - option to play sound from TV speakers and headphones simultaneously.
- **Volume** - adjust volume for headphones.

**Balance** - To switch the sound between the left and right speakers.

**Auto Volume Level (AVL)** - When 'on' is selected, the volume will stay at a constant level regardless of input/source.

**DTS TruSurround** - Allows you to turn surround sound effect ON or OFF.

**Digital Output** - This is the digital Audio output.

Choose from the following options:

- **Off** - Off
- **Auto** - Selects the best settings automatically
- **PCM** - Select this option if you are connecting to a Stereo Hi-fi via digital cable (Pulse-code modulation (PCM) is a digital representation of an analogue signal).

**Audio Description** - Additional sound track for visually impaired. Available only on selected DTV shows.

**AD Volume** - to adjust volume of Audio Description sound track

**AudioTrack** - allows you to choose different audio/language for Digital TV or media.

**Audio Delay (ms)** - Enables the user to adjust sound setting to sync picture and audio for TV speakers.

**SPDIF Delay (ms)** - Enables the user to adjust sound setting to sync picture and audio for external speakers connected via digital audio output.



## SETTINGS

### CHANNEL

**DVB Antenna** - Set the type of DTV signal

- **Terrestrial** - Terrestrial (DVB-T)
- **Cable** - Cable (DVB-C)

**Auto Tuning** - Allows you to retune the television for all digital channels, digital radio stations and analogue channels.

**Analogue Manual Tuning** - Allows you to manually tune your analogue signal.

**Digital Manual Tuning** - Allows you to manually tune your digital signal.

**Channel Edit** - Allows you to delete, skip and add favourite channels.

- **Red Button** - delete selected channel.
- **Yellow Button** - Move selected channel. Go with cursor to channel, which you wish to move to different position, then press YELLOW button. Now move selected channel with UP/DOWN arrow to desired position and press YELLOW button again to confirm its new position in channel list.
- **Blue Button** - Skip selected channel. Channels selected to Skip will not be displayed while pressing CH+ or CH- buttons.

**Signal Information** - Information about DVB signal.

**CI Information** - Pay per view services require a "smartcard" to be inserted into the TV. If you subscribe to a pay per view service the provider will issue you with a 'CAM' and a "smartcard". The CAM can then be inserted into the COMMON INTERFACE PORT (CI Card In).

**Sorting by LCN** - Set LCN to ON if you want to arrange channels by provider preferences (only applies to DVB-T and DVB-C channels).

**Channel Auto Update** - if you set this option ON, channel positions, names and frequencies will be periodically updated by the provider. This may cause issues if you ordered channels in the list of channels by yourself. In such case we recommend to keep this option off.

**Recorded list\*** - List of recorded TV shows.

**Schedule List** - Lists your programme reminders.

**Satellite Setup** - This menu is only available in DVB-S2 mode. You can select the type of satellite, your transponder and your LNB type, etc.

**OAD (Software Update)** - Switch on/off OAD (over air download) software updates.

\* - **Only for devices with built in PVR function**

### NETWORK

**Network Configuration** - First you will need to select your connection type. You can choose between either a Wi-Fi or Wire (cable) connection.

**NOTE:** For connecting to the Internet with a wired connection, connect a Cat 5/Ethernet cable (not included) from the TV to your broadband modem/router.

**IP config** - LAN network connection settings

- **Auto** - Will automatically connect the TV to your home network (this is the default setting and is highly recommended)
- **Manual** - Allows you to manually change the IP, Netmask, Gateway and DNS information.

**Wi-Fi Configuration** - Wireless network connection settings

- **Wi-Fi Auto Search** - Automatically searches for available wireless networks. Select the desired Wi-Fi network and then enter the network password (if network is password protected). Once the password is accepted, you will not be asked for it again.

**NOTE:** The connection process may take a few minutes, please be patient. Every time the TV is then powered on it will automatically connect to the network, this may also take some time.

**Network Info** - Information about the network settings

**Network Test** - A network connection test

### TIME

**Auto Sync** - Automatically sets the time and date on the TV set. Requires the TV to be tuned in with a digital signal and/or an internet connection.

Turn "Auto Sync" off to manually adjust the time and date settings. If "Auto Sync" is set to off with the time and date manually adjusted, this information will be reset when the power to the TV is disconnected.

**Clock** - Shows the date and time. Can be adjusted when "Auto Sync" is set to off.

**Off Time** - Allows you to set a specific time for your TV to turn off.

**On Time** - Allows you to set a specific time for your TV to turn on, the channel it will then display, the source it will be on and also the volume. This function can then be toggled to repeat every day or a certain day.

**Sleep Timer** - Lets you set the sleep timer so the television automatically switches off after a set amount of time. Off -> 10min -> 20min -> 30min -> 60min -> 90min -> 120min -> 180min -> 240min.

**OSD Timer** - Lets you adjust the amount of time the On Screen Menu stays on the screen before disappearing.

**Auto standby** - Adjustment for the auto standby in hourly increments: Off -> 3h -> 4h -> 5h.

**Time Zone** - Change your current time zone.

### LOCK

**System Lock** - Allows you to lock or unlock the menu. You will be asked to enter a 4 digit password. Use the ◀ button to quit the password input. Use the ▶ button to clear. Default password is 0000.

**Set Password** - Change the default password.

**Channel lock** - Lock specific TV channels.

**Parental Guidance** - Lock TV channels based on age restriction.

**Key lock** - Allows you to lock the TV control stick on the back side of the TV set.

**Source Lock** - Allows you to hide selected inputs from the source menu.

**Hotel Mode** - Advanced settings for hotels.

### SETUP

**Language** - Allows you to change the language of the menu.

**Audio Languages** - Allows you to change audio language on selected DVB channels.

**Subtitle Language** - Allows you to change subtitles language on selected DVB channels.

**Hearing Impaired** - If signal provides support for the hearing impaired, the subtitles can be played by pressing the "Subtitle". If you set Hearing Impaired ON and switch to a channel with supports for hearing impaired subtitles will be activated automatically.

**Blue Screen** - Changes the background when there is no input between transparent and a blue background (Only available on some sources).

**PVR File System** - PVR Recording options\*

- **Select disk** - Select USB port and disk partition
- **TimeShift Size** - Set size time of shift buffer.
- **Format** - You can format connected USB storage device to FAT 32 file system.
- **WARNING: ALL DATA ON THE USB DEVICE WILL BE DELETED**
- **Speed** - Tests write speed of connected USB storage devices.

\* - **only for devices with built in PVR function**

**First Time Installation** - Starts the first time installation.

**Software Update (USB)** - From time to time we may release new firmware to improve the operation of the television (available to download). This menu lets you install the new software/firmware onto the television. Further details of how to do this will be issued with the firmware. Contact the helpline or refer to the 'www.sharp.eu/av' website.

**Software Upgrade (NET)** - Allows for the TV software to be updated over the Internet. This function will search for new software and update it when necessary.

**NOTE:** The TV will automatically search for new releases of software every time it is turned on. If new software is found, it will ask you if you would like to download and install it. If you select "Yes" the TV will upgrade to the latest software.

**WARNING:** Do not turn off the TV's power until the upgrade is complete!

**Reset TV** - This resets the menus to factory settings.

**HDMI CEC\*** - Allows you to operate devices connected via HDMI with TV remote control.

- **Device list\*** - Allows you to access devices menu and operate the menu using TV remote control.
- **HDMI CEC** - enable/disable HDMI CEC function
- **Auto standby\*** - Automatically turn on/off connected devices via HDMI CEC
- **HDMI ARC\*** - Sends audio signal from terrestrial/satellite broadcast via HDMI to the AV receiver without using any additional audio cables, this functions is available only on HDMI 2 output.

\* - **HDMI CEC must be supported by connected device.**

**HDMI EDID** - transmits the TV set's capabilities (resolution, audio support etc.) directly to the devices connected via HDMI. This item allows you to switch modes of selected HDMI input between HDMI and HDMI2.0 mode.

- **Standard** - recommended if the TV is connected to a device with a HDMI 1.4 output or lower, for example Full HD Blu-Ray player, DVD player or gaming console.
- **Enhancement** - recommended if the TV is connected to a device with a HDMI 2.0 output, for example 4K Blu-ray player or modern PC.

**LED Status** - Allows the user to switch the LED Power indicator light ON or OFF, when the TV is being operated. (When this option is set to OFF the LED Power indicator light will flash when the remote control is used).

**HbbTV** - Allows the user to switch HbbTV on/off. To use HbbTV, TV must be connected to the internet and watched channel must support HbbTV service.

**Version Info** - shows version of TV software

**Source Edit** - this allows user to manually rename items in your list of input sources. For example, you can rename inputs to the names of connected devices.

## AQUOS NET+

To access the AQUOS NET+ Menu at any time press the NET+ button on the remote control or select it from More Apps menu.

**NOTE:** Please wait while the TV connects to the Wi-Fi network. It may take a few minutes after you switch on the TV.

Navigate the menu using the scroll ▲/▼/◀/▶ buttons. To confirm the item you wish to play/view press [OK] button. For 'one-step' back press [Menu] button, and to access additional functions use the coloured buttons. To leave AQUOS NET+ press [EXIT] button.

**Home** - Home screen with recommended movies and recently opened applications

**All Apps** - Opens a list of available applications

**Movies** - Opens a list of available movies

**TV Shows** - Opens a list of available TV shows

**Music** - Opens a list of available Music and Music videos

**Games** - List of games and gaming related apps.

**Sport** - List of sport related apps.

**News** - List of news apps.

**Search** - search for app by entering its name or part of the name.

**My apps** - By adding apps to the "My Apps" list, you will be able to quickly access your favourite apps. To add an app to the list, simply highlight any app and press the green button, this will now appear in your "My apps" list. To remove an unwanted app from the "My Apps" list, you must highlight the app you want to delete and press GREEN button.

**Settings** - In the settings menu you can change the language of the Aquos NET+ portal, set up a filter for applications specific to the language selected and reset all user settings back to the default settings.

**RESET OF USER SETTINGS:** If you wish to completely reset all user settings on AQUOS NET+, you must first enter the Settings menu of the portal and select "Reset your device". Please select YES with cursor and then press OK on the remote control to confirm the reset of the settings.

**NOTE:** To meet our customers' demands, we are improving our products. As a result of our ongoing efforts new applications will be added continuously to the AQUOS NET+. Applications and content in AQUOS NET+ can be changed without notice. Some of the functions and content may not be available in your country.

## 7 Day TV Guide

TV Guide is available in Digital TV mode. It provides information about forthcoming programmes (where supported by the Digital channel). You can view the start and end time of all programmes and on all channels for the next 7 days and set reminders.

1. Press **[TV GUIDE]**. The following 7 Day TV Guide will appear.
2. Navigate through the menu using ▲/▼/◀/▶.

**You can now:**

- Record selected TV channel and TV show by pressing the RED button.\*
- Set a reminder by pressing GREEN.
- View a previous day by pressing YELLOW.
- View the next day by pressing BLUE. **[INFO]** shows detailed information about the selected post

3. Press **[EXIT]** to exit the 7 day TV Guide.

\* - **only for models with recording function**

## USB Record - Digital mode\*

Built into this television is a USB record facility. This function is available in Digital mode when used in conjunction with a compatible USB memory stick or USB Hard drive. The benefits of this are as follows:

- Pause live TV and then playback, fast forward and rewind (up to live TV).
- One button record, if you decide you want to record the current programme.

- Easy programmable recording from the 7 day TV Guide

Due to the nature of the product, it is necessary to use a high speed USB memory stick (as the TV reads from and writes to the memory stick at the same time, some memory sticks may not be suitable).

Minimum Specification - USB Memory Stick

– **Read Speed** - 20 Mb/s (Megabit Per Second)

– **Write Speed** - 6 Mb/s (Megabit Per Second)

### Pause Live TV (Time Shift)\*

Pausing Live TV is very simple.

- Press the play/pause button and the television will pause and the live content will be recorded. To resume watching press play/pause again.
- Press fast forward to go forward in a recording (i.e. to skip adverts).
- Press fast rewind to go back in a recording (i.e. if you fast forwarded too far).

**TIP:** When you switch the TV to standby or change channel the Time Shift memory is wiped. To restart time shift you must press play/pause button.

### One Button Record

At any point in time you may decide to record the current channel that you are watching. To do this you need to press the [REC] button.

**TIP:** This television contains one TV tuner, therefore it can only record the channel you are watching or record one channel while the television is in standby mode.

**NOTE:** USB record function is only available in Digital TV mode.

Due to copyright laws and illegal copying/recording it is not possible to record to/from any other input/output source.

\* - **only for devices with built in PVR function**

## HDR (High Dynamic Range)

HDR video removes some of the limitations of a standard video signal and shows the image built from a wider gamut of colour and brightness.

**NOTES:**

- HDR function will activate automatically if an HDR signal is detected, provided that HDMI EDID has been set to "Enhancement" in the 'SETUP' menu.

- This television can display HDR content via the HDMI or USB inputs.
- If you are connecting via one of the HDMI ports, the external device must also support HDR, HDMI2.0 and be playing HDR mastered content.
- This device does not support HDR content from inbuilt apps such as Netflix or YouTube.

## Product fiche

Trademark	
Model	LC-50UI7222E LC-50UI7322E LC-50UI7422E
Energy efficiency class	A+
Visible screen size (diagonal)	50" / 127cm
On-mode power consumption	70,0 W
Annual energy consumption*	102 kWh
Standby power consumption**	<0,50 W
Off mode power consumption	N/A
Screen resolution	3840 (H) x 2160 (V)

\* - Energy consumption XYZ kWh per year, based on the power consumption of the television operating 4 hours per day for 365 days. The actual energy consumption will depend on how the television is used.

\*\* - when the TV is turned off with the remote control and no function is active

## Ważne środki bezpieczeństwa



**Proszę zapoznać się z niniejszymi instrukcjami bezpieczeństwa i wziąć pod uwagę poniższe ostrzeżenia zanim urządzenie zostanie uruchomione:**

**Żeby zapobiec pożarowi, zawsze trzymaj świece i inne źródła otwartego ognia z daleka od urządzenia.**



- Telewizory z ekranami o przekątnej 43" lub większymi muszą być przenoszone przez co najmniej dwie osoby.
- Niniejszy telewizor nie posiada żadnych części, które może naprawiać użytkownik. W przypadku wystąpienia usterki skontaktuj się z producentem lub autoryzowanym serwisem. Styczność z niektórymi elementami wewnątrz obudowy może stanowić zagrożenie dla życia. Gwarancja nie obejmuje usterek wywołanych naprawami wykonywanymi przez strony trzecie.
- Nie demontuj tylnej części urządzenia.
- Urządzenie jest przeznaczone do odbioru i odtwarzania wideo i dźwięku. Wszelkie inne wykorzystanie jest ściśle zabronione.
- Nie wystawiaj telewizora na działanie kapiących lub rozpryskiwanych cieczy.
- Aby odłączyć telewizor od sieci elektrycznej, odłącz wtyczkę z gniazda zasilającego.
- Jeśli kabel zasilający zostanie uszkodzony, należy go wymienić u producenta, w serwisie lub u innej wykwalifikowanej osoby, żeby ochronić się przed zagrożeniem.
- Idealna odległość do oglądania telewizora jest równa mniej więcej pięciokrotnej długości przekątnej ekranu. Odbicia innych źródeł światła od ekranu mogą pogorszyć jakość obrazu.
- Zapewnij odpowiednią wentylację telewizora i nie umieszczaj go blisko innych urządzeń i mebli.
- Dopilnuj, by zostawić 5 cm wolnego miejsca wokół urządzenia dla zapewnienia odpowiedniej wentylacji.
- Upewnij się, że otwory wentylacyjne nie są zablokowane przedmiotami, takimi jak gazety, ściereki, zasłony itp.
- Telewizor jest przeznaczony do użycia w klimacie umiarkowanym.
- Telewizor jest przeznaczony wyłącznie do pracy w suchym miejscu. Gdy używasz telewizora na zewnątrz, upewnij się, że jest zabezpieczony przed wilgocią (deszcz, chlapiąca woda). Nigdy nie wystawiaj urządzenia na działanie wilgoci.
- Nie stawiaj żadnych przedmiotów ani zbiorników z płynami, takich jak wazony itp. na telewizorze. Mogą one zostać potrącone, zagrażając bezpieczeństwu elektrycznemu. Ustaw telewizor na płaskiej i stabilnej powierzchni. Nie umieszczaj przedmiotów, takich jak gazety, kocy itp. na telewizorze lub pod nim.
- Upewnij się, że urządzenie nie stoi na kablach zasilających, ponieważ mogłyby one ulec uszkodzeniu. Telefony komórkowe i inne urządzenia, takie jak adapter sieci WLAN, kamery monitoringu przesyłające sygnał bezprzewodowo itp., mogą powodować zakłócenia elektromagnetyczne, więc nie należy ich umieszczać w pobliżu urządzenia.
- Nie umieszczaj urządzenia w pobliżu elementów grzewczych lub w miejscach narażonych na bezpośrednie działanie światła słonecznego, ponieważ ma to negatywny wpływ na chłodzenie urządzenia. Zatrzymywanie ciepła jest niebezpieczne i może poważnie zmniejszyć żywotność

urządzenia. Żeby zapewnić bezpieczeństwo, poprosz wykwalifikowaną osobę o usunięcie brudu z urządzenia.

- Postaraj się zapobiec uszkodzeniu kabli zasilających lub zasilacza. Urządzenie może być podłączane wyłącznie do dostarczonego kabla zasilającego/zasilacza.
- Burze stanowią niebezpieczeństwo dla wszystkich urządzeń elektrycznych. Jeśli kabel lub przewody antenowe zostaną trafione piorunem, urządzenie może zostać uszkodzone, nawet gdy jest wyłączone. Przed nadejściem burzy należy odłączyć od urządzenia wszystkie przewody i złącza.
- Przy czyszczeniu ekranu urządzenia używaj wyłącznie wilgotnej i miękkiej ściereczki. Używaj tylko czystej wody bez detergentów, a zwłaszcza bez rozpuszczalników.
- Ustaw telewizor w pobliżu ściany, żeby nie spadł w przypadku popchnięcia.
- OSTRZEŻENIE - W żadnym wypadku nie stawiaj telewizora na niestabilnym podłożu. Telewizor mógłby upaść, powodując poważne obrażenia lub śmierć. Wiele obrażeń, w szczególności u dzieci, można zapobiec, podejmując proste środki zaradcze, takie jak:
  - Używać wyłącznie szafek lub podstaw zalecanych przez producenta telewizora.
  - Używać wyłącznie mebli, które mogą stanowić bezpieczną podstawę dla telewizora.
  - Upewnić się, że telewizor nie wystaje poza krawędź mebla, na którym stoi.
- Nie stawiaj telewizora na wysokich meblach (na przykład regałach, kredensach) bez przymocowania zarówno mebla jak i telewizora do stabilnej podstawy.
- Nie umieszczaj telewizora na obrusie ani innych tkaninach ułożonych między telewizorem a meblem, na którym stoi.
- Poczytaj dzieci o niebezpieczeństwach związanych ze wspinaniem się na meble w celu dosięgnięcia telewizora lub jego elementów sterujących.
- Upewnij się, że dzieci nie wspinają się ani nie wieszają na telewizorze.
- Jeśli telewizor jest przechowywany i przenoszony, należy wziąć pod uwagę te same środki ostrożności.
- Instrukcje przedstawione poniżej opisują bezpieczniejszy sposób montażu telewizora poprzez zamocowanie go do ściany, co chroni go przed upadkiem do przodu i spowodowaniem obrażeń i szkód.
- Przy instalacji tego typu potrzebny będzie pas mocujący.
  - A) Używając jednego/obu górnych otworów montażowych i śrub (śruby znajdują się już w otworach montażowych) przypnij jeden koniec pasa do telewizora.
  - B) Zamocuj drugi koniec do ściany.
- Oprogramowanie telewizora i układ menu ekranowego mogą ulec zmianie bez powiadomienia.
- Uwaga: Wylądowanie elektrostatyczne może spowodować nieprawidłowe działanie urządzenia. W takim przypadku wyłącz telewizor i włącz ponownie. Telewizor będzie działał normalnie.

### Ostrzeżenia:

- Nie wolno korzystać z odbiornika telewizyjnego natychmiast po rozpakowaniu. Przed użyciem należy odczekać, aż telewizor nagrzej się do temperatury pokojowej.
- Nigdy nie podłączaj żadnych zewnętrznych urządzeń do pracującego telewizora. Wyłącz nie tylko telewizor, ale również podłączane urządzenia! Włóż wtyczkę do gniazдка w ścianie po podłączeniu urządzeń zewnętrznych i anteny!
- Zawsze upewnij się, że masz swobodny dostęp do wtyczki telewizora.
- Urządzenie nie jest przeznaczone do wykorzystania w miejscu pracy wyposażonym w monitor.
- Częste korzystanie ze słuchawek z ustawionym wysokim poziomem głośności może spowodować nieodwracalne uszkodzenia słuchu.
- Zapewnij przyjazną środowisku utylizację urządzenia i elementów - włącznie z bateriami. W razie wątpliwości skontaktuj się z lokalnymi władzami, żeby uzyskać informacje na temat recyklingu.
- Instalując urządzenie nie zapomnij, że powierzchnie mebli są pokryte różnymi lakierami, plastikiem itp. lub mogą być wypolerowane. Substancje chemiczne zawarte w tych produktach mogą wchodzić w reakcję z podstawą telewizora. Może to spowodować przywarcie materiału do powierzchni mebli, co utrudni przesunięcie, a nawet je uniemożliwi.

- Ekran telewizora został wyprodukowany w najwyższej jakości warunkach i został kilkakrotnie szczegółowo sprawdzony pod kątem wadliwych pikseli. Ze względu na charakter technologiczny procesu produkcyjnego nie jest możliwe wyeliminowanie małej liczby wadliwych punktów na ekranie (nawet przy zachowaniu maksymalnej dbałości podczas produkcji). Te wadliwe piksele nie są uważane za wadliwe w znaczeniu gwarancyjnym, jeśli ich liczba nie jest większa niż limity określone przez normę DIN.
- Producent nie ponosi odpowiedzialności ani nie jest zobowiązany do rozstrzygnięcia kwestii obsługi klienta związanych z treściami bądź usługami osób trzecich. Wszelkie pytania, komentarze lub zapytania o usługi związane z treściami lub usługami osób trzecich powinny być kierowane bezpośrednio do odpowiedniego dostawcy treści lub usług.
- Istnieje wiele powodów, dla których użytkownik może nie być w stanie uzyskać dostępu do usług ze swojego urządzenia, niezwiązanych z samym urządzeniem, w tym między innymi awaria zasilania lub połączenia internetowego czy nieprawidłowa konfiguracja urządzenia. Firma Universal Media Corporation, jej dyrektorzy, urzędnicy, pracownicy, pełnomocnicy, wykonawcy i jednostki stowarzyszone nie ponoszą odpowiedzialności przed użytkownikiem ani osobą trzecią w przypadku wspomnianych awarii lub przestojów, niezależnie od powodów awarii oraz tego, czy można było jej uniknąć.
- Wszelkie treści i usługi osób trzecich dostępne na niniejszym urządzeniu są świadczone użytkownikowi w ich bieżącym stanie oraz w miarę dostępności; Universal Media Corporation i jej spółki stowarzyszone nie składają użytkownikowi żadnych oświadczeń ani zapewnień, wyraźnych ani dorozumianych, w tym między innymi, choć nie wyłącznie, nie udzielają gwarancji przydatności handlowej, nienaruszalności praw i przydatności do określonego celu ani gwarancji adekwatności, dostępności, dokładności, kompletności, bezpieczeństwa, własności, użyteczności, braku zaniedbania czy bezbłędnego lub nieprzerwanego działania lub użytkowania treści i usług świadczonych użytkownikowi przez osoby trzecie, a także nie gwarantują, że takie treści lub usługi będą zgodne z wymaganiami i oczekiwaniami użytkownika.
- Universal Media Corporation nie jest pośrednikiem i nie ponosi odpowiedzialności za działania i zaniechania dostawców treści i usług osób trzecich ani za żaden aspekt treści i usług takich dostawców.
- Universal Media Corporation i/lub jej spółki stowarzyszone w żadnym wypadku nie będą odpowiedzialne przed użytkownikiem ani osobą trzecią za żadne szkody bezpośrednio, pośrednie, szczególne, karne, wynikające lub inne, niezależnie od tego, czy podstawą odpowiedzialności jest umowa, delikt, zaniebdanie, naruszenie zasad gwarancji, odpowiedzialność bezpośrednia czy inna oraz bez względu na to, czy Universal Media Corporation i/lub jej spółki stowarzyszone zostały poinformowane o możliwości wystąpienia takich szkód.

## Ważne informacje dotyczące użycia gier wideo, komputerów, napisów i innych źródeł stałych obrazów.

- Dłuższe wyświetlanie materiałów ze stałym obrazem może spowodować pozostanie "obrazu resztkowego" na ekranie LCD (czasami nieprawidłowo nazywanego "wypaleniem na ekranie"). Ten obraz resztkowy będzie stale widoczny w tle. Jest to uszkodzenie nieodwracalne. Można uniknąć takiego uszkodzenia postępując zgodnie z poniższymi instrukcjami:
- Zmniejsz jasność/kontrast do minimalnego poziomu, który jest odpowiedni do oglądania.
- Nie wyświetlaj stałego obrazu przez dłuższy czas. Unikaj wyświetlania:
  - » Tabel i czasu z telegazety
  - » Menu telewizora/DVD, np. zawartości DVD
  - » W trybie „Pauza” (wstrzymanie): Nie używaj tego trybu przez długi czas, np. podczas oglądania DVD lub filmów.
  - » Wyłącz urządzenie, jeśli go nie używasz.

## Baterie

- Zachowaj prawidłową polaryzację, gdy montujesz baterie.
- Nie wystawiaj baterii na działanie wysokich temperatur i nie umieszczaj ich w miejscach, których

temperatura może gwałtownie wzrosnąć, np. w pobliżu ognia lub w bezpośrednim świetle słonecznym.

- Nie wystawiaj baterii na działanie nadmiernego ciepła, nie wrzucaj ich do ognia, nie rozmontowuj i nie próbuj ładować zwykłych baterii.
  - Mogłyby wyciec lub eksplodować.
  - » Nigdy nie stosuj jednocześnie różnych baterii i nie łącz baterii nowych ze starymi.
  - » Używaj baterie w sposób przyjazny dla środowiska.
  - » Większość państw UE posiada przepisy regulujące usuwanie baterii.

## Utylizacja

- Nie wyrzucaj niniejszego telewizora do niesortowanych śmieci z gospodarstwa domowego. Oddaj go do wyznaczonego punktu odbioru w celu przetworzenia zgodnie z przepisami WEEE. W ten sposób oszczędzasz zasoby naturalne i chronisz środowisko. Więcej informacji możesz uzyskać od sprzedawcy lub lokalnych władz.



## Deklaracja zgodności:

- UMC Poland Sp. z o.o. niniejszym oświadcza, że ten telewizor LED spełnia zasadnicze wymagania oraz inne odnośne normy określone w dyrektywie RED 2014/53/EU. Pełen tekst deklaracji zgodności WE jest dostępny pod następującym linkiem: <https://www.sharpconsumer.eu/documents-and-compliance/>

## Znaki handlowe

- Nazwy HDMI i HDMI High-Definition Multimedia Interface oraz logo HDMI są znakami towarowymi lub zarejestrowanymi znakami towarowymi HDMI Licensing, LLC w Stanach Zjednoczonych i innych krajach.

- Logo "DIGITALEUROPE UHD Display" jest znakiem towarowym DIGITALEUROPE.

- Logo DVB jest zarejestrowanym znakiem handlowym projektu Digital Video Broadcasting - DVB.

- Wyprodukowano na licencji Dolby Laboratories. Dolby, Dolby Audio i symbol z podwójnym D są znakami towarowymi firmy Dolby Laboratories.

- Informacje dotyczące patentów DTS można znaleźć na stronie <http://patents.dts.com>. Wyprodukowano na licencji DTS Licensing Limited. DTS, symbol oraz DTS razem z symbolem są zarejestrowanymi znakami towarowymi. DTS Studio Sound jest znakiem handlowym firmy DTS, Inc. © DTS, Inc. All Rights Reserved.

- YouTube i logo YouTube są znakami towarowymi Google Inc

- Logo Wi-Fi CERTIFIED jest zastrzeżonym znakiem towarowym Wi-Fi Alliance.

- Wi-Fi CERTIFIED Miracast i Miracast są zastrzeżonymi znakami towarowymi Wi-Fi Alliance.

- DLNA, logo DLNA i DLNA CERTIFIED są zastrzeżonymi znakami towarowymi, znakami serwisowymi lub oznaczeniami certyfikacji Digital Living Network Alliance.

- Harman Kardon jest znakiem towarowym firmy HARMAN International Industries, Incorporated, zarejestrowanej w Stanach Zjednoczonych i/lub innych krajach.



## Zawartość opakowania

### Zestaw zawiera następujące elementy:

- 1x telewizor
- 1x zestaw do instalacji podstawy telewizora
- 1x pilot zdalnego sterowania
- 1x instrukcja obsługi
- 2x bateria AAA
- 1x zestaw do montażu na ścianie (4 x wkręty M6x35 i 4 x plastikowe podkładki)

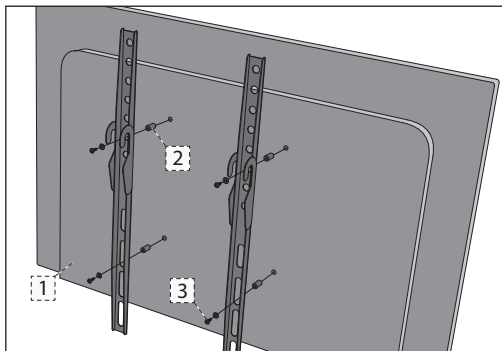
## Montaż podstawy

Proszę postępować zgodnie z instrukcjami z ostatniej strony niniejszej instrukcji.

## Montaż telewizora na ścianie

1. Odkręć 4 wkręty, dostarczone z płytą do montażu na ścianie.
2. Płytę do montażu na ścianie można łatwo zamocować w otworach montażowych na tylnym panelu telewizora.
3. Zainstaluj wspornik do montażu na ścianie do telewizora w sposób zalecany przez producenta wspornika.

W przypadku montażu wsporników do modelu 50", zamiast śrub wkręconych już w otwory montażowe telewizora, zalecamy zastosowanie dłuższych śrub i podkładek dostarczonych w zestawie z akcesoriami. Włóż podkładki do otworów montażowych w tylnej części obudowy telewizora, a następnie załóż na nie wsporniki. Zamocuj wsporniki i podkładki do telewizora przy pomocy śrub, tak jak pokazano poniżej:



1. TV
2. PODKŁADKA
3. ŚRUBA

**UWAGA:** Telewizor i wsporniki widoczne na rysunku są pokazane wyłącznie w celach demonstracyjnych i mogą się różnić.

## Przed uruchomieniem - początkowa konfiguracja

1. Przy pomocy kabla antenowego podłącz telewizor do gniazda antenowego w ścianie.

2. Aby połączyć się z Internetem połączeniem przewodowym, podłącz kabel Cat 5/Ethernet telewizora (niezależony) do szerokopasmowego modemu/routera.
3. Podłącz kabel zasilający z tyłu telewizora, a następnie podłącz go do gniazdka elektrycznego.
4. Włóż dołączone baterie do pilota.
5. Następnie naciśnij przycisk Standby, żeby wyłączyć telewizor.
6. Zostaniesz popityany ekranem **Pierwsza instalacja**. Jeśli nie pojawi się, naciśnij na pilocie [MENU] i 8-8-8-8, a wyświetli się menu. Jeśli chcesz dokonać zmian w ustawieniach domyślnych, użyj przycisków przewijania ▲/▼/◀/▶. Żeby w dowolnym momencie wyjść z tego menu, naciśnij przycisk [EXIT].

### 7. Proszę skonfigurować żądane ustawienia na ekranie PIERWSZA INSTALACJA.

**PUNKT 1** - Ustaw język menu telewizora.

**PUNKT 2** - Ustaw swój kraj.

**PUNKT 3** - Ustaw typ połączenia sieciowego. Jeśli chcesz pominąć ten punkt i podłączyć telewizor do sieci później, wybierz Pomiń ustawienia sieci

**PUNKT 4** - Wybierz lokalizację telewizora. W przypadku użytku domowego wybierz opcję Tryb Domowy. Dla trybu demonstracyjnego w sklepie ustaw opcję Tryb Sklepowy.

**PUNKT 5** - Wybierz odpowiednią opcję w zależności od montażu telewizora podstawie lub na ścianie. Telewizor skonfiguruje optymalne ustawienia dźwięku dla wybranej opcji.

**PUNKT 6** - Wybierz źródło sygnału, z którego chcesz korzystać. Jeśli kabel antenowy (RF) został podłączony bezpośrednio do telewizora, wybierz DTV. Jeśli telewizor został podłączony bezpośrednio do anteny satelitarnej, wybierz DVB-S\*. W przypadku korzystania z dekodera wybierz prawidłowy sygnał telewizyjny, do którego dekodery został podłączony.

8. Jeśli w ostatnim punkcie wybrałeś opcję DTV lub DVB-S2, zostaniesz zapytany, czy chcesz nastroić kanały. Jeśli wybierzesz „Nie”, możesz nastroić kanały później w menu USTAWIENIA/KANAŁ. Jeśli wybierzesz „Tak”, wyświetli się menu strojenia.

**Strojenie odbioru programów telewizji cyfrowej (DTV):** W ustawieniu Antena DVB wybierz typ wykorzystywanego sygnału. Odbiór programów cyfrowych z nadajników naziemnych (DVB-T) lub programów telewizji kablowej (DVB-C). Następnie wybierz Automatyczne wyszukiwanie i skonfiguruj żądane ustawienia. Wybierz ponownie Automatyczne wyszukiwanie, aby rozpocząć strojenie kanałów.

**Strojenie odbioru programów cyfrowych z nadajników satelitarnych (DVB-S2) tuning:** Wybierz Automatyczne wyszukiwanie, a następnie wybierz Odbiór programów cyfrowych z nadajników satelitarnych. W tym miejscu możesz wybrać różne nadajniki satelitarne. Naciśnij przycisk OK na pilocie zdalnego sterowania, aby wybrać nadajnik satelitarny, którego sygnał chcesz dostroić. Następnie wróć do poprzedniego menu naciskając przycisk BACK na pilocie i wybierz Automatyczne wyszukiwanie, aby rozpocząć strojenie kanałów.

**UWAGA:** Żeby skrócić czas strojenia kanałów satelitarnych, w niektórych krajach dostępna jest wcześniej zainstalowana lista najbardziej popularnych nadajników satelitarnych w regionie. W przypadku Twojego wybranego kraju zostaniesz zapytany, czy chcesz pobrać wcześniej zainstalowaną listę kanałów. Jeśli wybierzesz „Tak”, w ciągu kilku sekund do telewizora zostanie zaimportowana lista kanałów telewizji satelitarnej.

**WSKAZÓWKI:** Jeśli brakuje sygnału, wynika to prawdopodobnie z siły sygnału. Rozważ podłączenie wzmacniacza sygnału lub przestrojenie telewizora.

## Pilot zdalnego sterowania

1. **STANDBY** – Włącza i wyłącza telewizor.

2. **MUTE** – Wycisza dźwięk.
3. **0 – 9** – Wybór kanałów telewizyjnych.
4. **TV GUIDE** – Otwiera 7-dniowy program telewizyjny (tryb cyfrowy DVB).
5. – Powraca do poprzednio oglądanego kanału.
6. **PICTURE** – Ustawienia obrazu.
7. **VOL ▲/▼** – Zwiększa/zmniejsza głośność.
8. **CH ▲/▼** – Przełącza na następny lub poprzedni oglądany kanał.
9. **SOUND** – Ustawienia dźwięku.
10. **SOURCE** – Wybiera wejścia/zródła.
11. **MENU** – Wyświetla menu ekranowe.
12. **EXIT** – Wychodzi ze wszystkich menu.
13. (**▲/▼/◀/▶/OK**) – Pozwala poruszać się po menu ekranowym i regulować ustawienia.
14. **BACK** – Powrót do poprzedniego menu.
15. **FAV** – Wyświetla menu Ulubione.
16. **INFO** – Naciśnij jeden raz, żeby uzyskać informacje o bieżącym/następnym kanale. Naciśnij dwa razy, żeby uzyskać informacje o bieżącym programie.
17. **TEXT** – Tryb telegazety - Wchodzi w tryb telegazety.
18. **SUBTITLE** – Zmienia język napisów (jeśli są dostępne).
19. **TV** – Przełącza na źródło telewizji cyfrowej.
20. **YouTube** – wyświetla aplikację YouTube.
21. **NETFLIX** – wyświetla aplikację NETFLIX
22. **NET+** – wyświetla menu AQUOS NET+.
23. **Rec1** – Nagranie PVR.
24. – Cofnięcie bieżącego rozdziału.
25. – Przejście do następnego rozdziału
26. – Zatrzymanie odtwarzania (pauza).
27. **Rec List1** – Otwiera listę nagrań.
28. – Szybkie przewijanie do przodu.
29. – Szybkie przewijanie do tyłu.
30. – Odtwarzanie/pauza.
31. **KOLOROWE PRZYCIŚKI** – Dodatkowe funkcje telegazety i menu ekranowego.

<sup>1</sup> - dostępne tylko dla funkcji PVR

## Przyciski\* telewizora

- Vol+** Zwiększenie głośności i przejście w menu w prawo
- Vol-** Zmniejszenie głośności i przejście w menu w lewo
- CH+** Następny program/kanał i przejście w menu do góry
- CH-** Poprzedni program/kanał i przejście w menu do dół
- MENU** Wyświetla menu/menu ekranowe
- SOURCE** Wyświetla menu źródła wejściowego
- STANDBY** Włączenie/wyłączenie trybu czuwania

\* - *telewizory z przyciskami*

## Manipulator\* wielofunkcyjny

Manipulator wielofunkcyjny znajduje się w lewym dolnym narożniku na tylnym panelu telewizora. Można go użyć zamiast pilota do sterowania większością funkcji telewizora.

**Jeśli telewizor znajduje się w trybie czuwania:**

- krótkie naciśnięcie manipulatora - włączenie zasilania

**Podczas oglądania telewizji:**

- PRAWO/LEWO – zwiększenie/zmniejszenie głośności
- GÓRA/DÓŁ – zmiana kanału w górę/dół
- krótkie naciśnięcie – wyświetlanie menu
- długie naciśnięcie – przełączenie do trybu czuwania

**Przy otwartym menu:**

- PRAWO/LEWO/GÓRA/DÓŁ – nawigacja kursorem w menu ekranowym
- krótkie naciśnięcie – wybór elementu OK/Zatwierdź
- długie naciśnięcie – powrót do poprzedniego menu

\* - *telewizory z manipulatorem wielofunkcyjnym*

## Wybór trybu wejścia/źródła

Żeby przełączyć między różnymi wejściami/złączami.

**a) Przy pomocy przycisków pilota:**

1. Naciśnij [SOURCE/□] - Wyświetli się menu źródła.
2. Przyciskami [◀] i [▶] wybierz żądane wejście.
3. Naciśnij [OK].

**b1) Korzystanie z manipulatora\* na telewizorze:**

1. Naciśnij [SOURCE].
2. Przewiń w górę/dół przy pomocy przycisków VOL+/VOL-, żeby wybrać żądane wejście/źródło.
3. Naciśnij [SOURCE], żeby zmienić wejście/źródło na wybrane.

**b2) Korzystanie z manipulatora\*:**

1. Krótkie naciśnięcie manipulatora spowoduje otwarcie menu.
2. Naciśnięcie manipulatora umożliwiła nawigację kursora w menu ŹRÓDŁA SYGNAŁU.
3. Krótkie naciśnięcie manipulatora spowoduje otwarcie menu ŹRÓDŁA SYGNAŁU.
4. Przy pomocy manipulatora wybierz żądane wejście/źródło sygnału.
5. Krótkie naciśnięcie manipulatora spowoduje zmianę wejścia/źródła sygnału na wybrane.

\* - *Opcja*

## Złącza

Na stronie 96 dostępna jest tabela rodzajów złączy dostępnych dla różnych modeli.

	<b>USB</b> Wejście USB 2.0 - 1, 2; Wejście USB 3.0 - 3
	<b>HDMI 1, 2 (ARC), 3 in</b> Wejście HDMI 2.0 1, 2, 3
	<b>Czytnik kart SD</b> Wejście Karta SD
	<b>R/L - Video &amp; YPbPr audio In</b> Wejście Component/dźwięku wideo
	<b>Video (CVBS)</b> Wejście WIDEO
	<b>Component/YPbPr</b> Wejście Component HD
	<b>SCART</b> Wejście SCART
	<b>CI Card IN</b> Wejście CI
	<b>RF In</b> Wejście RF / anteny telewizyjnej
	<b>Sat In</b> Wejście satelitarne
	<b>Digital Optical Audio Out</b> Cyfrowe wyjście optyczne
	<b>RJ 45</b> Sieć Ethernet
	<b>HEADPHONES</b> Wyjście słuchawkowe 3,5 mm
	<b>D-link</b> wyłącznie wejście serwisowe

## Poruszanie się po menu telewizora

Żeby uzyskać dostęp do tego menu, naciśnij na pilocie przycisk [MENU]. Żeby wejść do menu, naciśnij [OK]. Jeśli chcesz dokonać zmian w ustawieniach domyślnych, użyj przycisków przewijania (▲/▼/◀/▶). Żeby zatwierdzić dowolne ustawienie, naciśnij przycisk [OK]. Żeby w dowolnym momencie wyjść z tego menu, naciśnij przycisk [EXIT].

## Netflix

Wiodąca na świecie telewizja internetowa Oferuje tysiące filmów i programów telewizyjnych, w tym oryginalne seriale, filmy dokumentalne i fabularne filmy pełnometrażowe. Abonenci mogą odtwarzać, zatrzymywać lub wznawiać oglądanie filmu albo programu, bez żadnych reklam i zobowiązań. Możesz zalogować się w tej aplikacji przy pomocy swojego istniejącego konta Netflix. Jeśli nie posiadasz konta Netflix, możesz zarejestrować się poprzez aplikację lub na oficjalnej stronie internetowej Netflix.

## YouTube

Aplikacja umożliwiająca wyszukiwanie i oglądanie oryginalnych filmów udostępnionych w serwisie internetowym.

**UWAGA:** Aplikacja Youtube będzie działała prawidłowo tylko wtedy, gdy data i godzina będą ustawione w telewizorze prawidłowo. Dodatkowe informacje na temat ustawień daty/godziny w telewizorze można znaleźć w rozdziale na temat menu CZAS w niniejszej instrukcji obsługi. Upewnij się, że sieć nie blokuje dostępu do serwisu Youtube i szybkość łącza internetowego jest dostatecznie duża, by umożliwić oglądanie materiałów z YouTube.

## Więcej aplikacji

Tutaj można łatwo znaleźć najpopularniejsze aplikacje.

**AQUOS NET+** - uruchamia portal Sharp SMART.

**Weather** - aplikacja prognozy pogody AccuWeather.

**Przeglądarka** - aplikacja umożliwiająca dostęp do stron internetowych. Nawigacja w przeglądarce:

- **CH+** - przewiń stronę do przodu
- **CH-** - przewiń stronę do tyłu
- **Przycisk czerwony** - pokaż/ukryj pasek menu przeglądarki
- **Przycisk żółty** - powiększ
- **Przycisk niebieski** - pomniejsz

## ŹRÓDŁA

To menu umożliwia przełączenie źródeł sygnału wejściowego podłączone urządzenie.

## Media

**USB** - tryb multimediu umożliwia odtwarzanie zawartości zapisanej na dysku USB. Zawartość zostanie podzielona na różne typy plików: zdjęcia, muzyka i filmy. "Opcja pliku" pokaże i pozwoli odtworzyć wszystkie typy obsługiwanej zawartości.

1. Możesz poruszać się po menu, używając strzałek ▲/▼/◀/▶. By wybrać plik, który chcesz odtworzyć/wyświetlić, wciśnij przycisk [OK].
2. Wyświetlając zawartość możesz zmieniać tryby odtwarzania przy użyciu pilota lub otwierając menu odtwarzania, wybierając tryb przyciskami ekranowymi ▲/▼/◀/▶ i zatwierdzając wybór przyciskiem [OK].

**UWAGA:** Nie są zalecane przedłużacze kabli USB, ponieważ mogą powodować pogorszenie jakości obrazu/dźwięku oraz przerwy w odtwarzaniu materiałów z pamięci USB.

**Miracast\*** - Umożliwia przeglądanie zawartości smartfona lub tabletu na ekranie telewizora. Połączenie bezprzewodowe zostanie utworzone za pomocą usługi Wi-Fi Direct, dzięki czemu nie jest konieczny dostęp do sieci Wi-Fi. Można udostępniać zawartość smartfona lub tabletu z systemem Android 4.4 lub nowszym.

**Serwer mediów** - automatycznie wyszukuje serwery mediów cyfrowych (DMS) podłączone do Twojej sieci domowej (takie jak dyski sieciowe NAS lub komputery) i umożliwia odtwarzanie oraz renderowanie zawartości z serwerów mediów.

\* - **Ta funkcja jest dostępna tylko na wybranych modelach smartfonów i notebooków.**

## Obraz

**Ustawienia obrazu** - Dokonaj wyboru z następujących ustawień.

- **Standard** - Ustawienia domyślne
- **Film** - ustawia bardziej stonowane kolory i niższą jasność.
- **Personalny** - Pozwala ręcznie zmienić wszystkie ustawienia
- **Eco** - Zużywa o 15% mniej energii.
- **Dynamiczny** - Zalecane ustawienie do szybko zmieniających się obrazów i bardzo jasnych pomieszczeń.

**Kontrast** - Zwiększa lub zmniejsza kontrast obrazu.

**Jasność** - Zwiększa lub zmniejsza jasność obrazu.

**Kolor** - Zwiększa intensywność koloru.

**Ostrość** - Zwiększa lub zmniejsza ostrość obrazu.

**Temperatura koloru** - Dokonaj wyboru spośród następujących ustawień.

- **Normalna** - Ustawienia domyślne
- **Ciepła** - Zwiększa poziom czerwień na obrazie
- **Zimna** - Zwiększa poziom niebieskiego na obrazie

**Proporcje obrazu** - Format obrazu różni się w zależności od kanału/rodzaju sygnału. Dostępne są liczne opcje pozwalające najlepiej dopasować obraz, do Twoich potrzeb.

- **Auto** - Automatycznie wyświetlany jest obraz w najlepszym formacie. Obraz jest w prawidłowym położeniu. Mogą być widoczne czarne pasy na górze/dole i/lub po bokach obrazu.
- **4:3** - Wyświetla obraz 4:3 w oryginalnym formacie. Wyświetlają się pasy boczne, żeby wypełnić ekran 16:9.
- **16:9** - Ekran wypełniany jest standardowym sygnałem 16:9.
- **Powiększenie 1/2** - Obraz będzie wyświetlany w prawidłowych proporcjach, ale powiększony, żeby wypełnić ekran.
- **Pixel w pixel (HDMI)** - Oryginalny obraz będzie wyświetlony bez żadnych zmian.
- **Pełny obraz** - Obraz jest rozciągany, żeby wypełnić ekran.

**Ustawienia zaawansowane**

- **Redukcja szumu** - Filtruje i redukuje szum (zakłócenia) obrazu.
- **Aktywny kontrast** - Automatycznie dostosowuje podświetlenie i kontrast obrazu do jasności ekranu.
- **Podświetlenie** - Reguluje jasność obrazu poprzez obniżenie/podniesienie jasności podświetlenia ekranu.
- **Gamma** - Regulacja odcieni między jasnymi i ciemnymi fragmentami obrazu.
- **Czerwony** - Regulacja czerwonych odcieni obrazu
- **Zielony** - Regulacja zielonych odcieni obrazu
- **Niebieski** - Regulacja niebieskich odcieni obrazu

## Dźwięk

**Tryb dźwięku** - Wybierz jedno z poniższych ustawień

- **Standard** - Ustawienia domyślne
- **Muzyka** - Uwyplukia muzykę w stosunku do głosu
- **Film** - Zapewnia żywy i pełny dźwięk w filmach
- **Personalny** - Wybiera Twoje osobiste ustawienia dźwięku



- **Sport** - Uwypukla dźwięk przy sporcie
- Equalizer** - dostosowuje głośność dźwięku o różnych częstotliwościach. Poziomy głośności mogą być dostosowywane tylko wtedy, gdy włączony jest "Osobisty" tryb dźwięku.

**Balans** - Reguluje balans dźwięku prawy-lewy.

#### Sluchawki

- **Sluchawki+TV** - opcja umożliwiająca równoczesne odtwarzanie dźwięku z głośników telewizora i słuchawek.
- **Głośność** - regulacja poziomu głośności słuchawek.

**Automatyczny poziom głośności** - Gdy jest włączony, głośność pozostanie na tym samym poziomie niezależnie od wejścia/źródła.

**DTS TruSurround** - Pozwala włączyć lub wyłączyć efekt dźwięku dookołnego.

**Wyjście cyfrowe** - Jest to cyfrowe wyjście dźwięku.

Wybierz ustawienie z poniższych opcji:

- **Wyłącz** - Wyłączone
- **Auto** - Automatyczny wybór najlepszych ustawień
- **PCM** - Wybierz tę opcję jeżeli łączysz się ze sprzętem Hi-Fi poprzez kabel cyfrowy (kodowanie dźwięku PCM - Pulse Code Modulation).

**Przełącznik AD** - Dodatkowa ścieżka dźwiękowa dla osób niedowidzących.

Dostępna tylko w wybranych programach telewizji cyfrowej.

**Głośność AD** - Regulacja głośności ścieżki dźwiękowej AD.

**Ścieżka dźwiękowa** - umożliwia wybór innego sygnału audio/języka przekazu telewizyjnego lub emitowanego z podłączonych źródeł sygnału.

**Opóźnienie audio (ms)** - Pozwala użytkownikowi wyregulować synchronizację obrazu i dźwięku dla głośników telewizora.

**Opóźnienie wyj. cyfrowego (ms)** - Pozwala użytkownikowi wyregulować synchronizację obrazu i dźwięku dla zewnętrznych głośników podłączonych poprzez cyfrowe wyjście dźwięku.

## USTAWIENIA

### KANAŁ

**Antena DVB** - Ustawia typ sygnału DTV

- **DVB-T** - Sygnał telewizji naziemnej
- **DVB-C** - Sygnał telewizji kablowej

**Automatyczne wyszukiwanie** - Pozwala ponownie dobrać wszystkie cyfrowe kanały, cyfrowe stacje radiowe i kanały analogowe.

**Ręczne wyszukiwanie ATV** - Pozwala ręcznie dobrać sygnał analogowy.

**Ręczne wyszukiwanie DTV** - Pozwala ręcznie dobrać sygnał cyfrowy.

**Edycja programów** - Pozwala kasować, pomijać i dodawać ulubione kanały.

- **Przycisk czerwony** - służy do usunięcia wybranego kanału.
- **Przycisk żółty** - służy do przesunięcia wybranego kanału. Ustaw kursor na kanale, który chcesz przesunąć do innej pozycji, a następnie naciśnij przycisk ŻÓŁTY. Przy pomocy strzałek GÓRA/DÓŁ przesuń wybrany kanał na żądaną pozycję i ponownie naciśnij przycisk ŻÓŁTY, aby potwierdzić jego nową pozycję na liście kanałów.
- **Przycisk niebieski** - pomijanie wybranego kanału. Kanały wybrane do pomijania nie zostaną wyświetlone po naciśnięciu przycisku CH+ lub CH-.

**Informacje o sygnale** - Informacje o sygnale DVB.

**Informacja CI** - Płatne usługi wymagają włożenia do telewizora karty "smartcard". Jeśli zapiszesz się do usługi płatnych programów dostawca wyda Ci kartę "CAM" i "smartcard". Kartę CAM można włożyć do gniazda COMMON INTERFACE PORT (CI Card In).

**Sortowanie po LCN** - Ustaw opcję LCN na Włącz, jeśli chcesz ustawić kanały według preferencji dostawcy (dotyczy tylko kanałów DVB-T i DVB-C).

**Automatyczna aktualizacja kanałów** - jeśli opcja zostanie włączona, pozycje kanałów, nazwy i częstotliwości będą okresowo aktualizowane przez dostawcę sygnału telewizyjnego. Może to spowodować problemy z kolejnością kanałów na liście utworzonej przez użytkownika.

W takim przypadku nie zalecamy korzystania z tej opcji.

**Lista nagrań\*** - Lista zapisanych programów TV.

**Zaplanowana lista** - Lista przypomnień o programach.

**Konfiguracja anteny satelitarnej** - To menu dostępne jest tylko w trybie DVB-S2. Możesz wybrać typ satelity, transponder, typ LNB, itp.

**OAD (aktualizacja oprogramowania)** - włącz/wyłącz aktualizację oprogramowania OAD (over air download).

\* - tylko dla urządzeń z wbudowaną funkcją PVR

### SIEĆ

**Konfiguracja sieci** - najpierw musisz wybrać typ połączenia.

Możesz wybrać między Wi-Fi i połączeniem przewodowym.

**UWAGA:** Aby połączyć się z Internetem połączeniem przewodowym, podłącz kabel Cat 5/Ethernet telewizora (niezależny) do szerokopasmowego modemu/routera.

**Konfiguracja IP** - ustawienia połączenia sieci LAN

- **Automatyczna** - automatycznie połączy komputer z Twoją siecią domową (zalecane jest właśnie to ustawienie domyślne).
- **Manualna** - pozwala samodzielnie zmienić IP, maskę sieci, bramę sieciową i informacje o serwerach DNS.

**Konfiguracja Wi-Fi** - ustawienia połączenia sieci bezprzewodowej

- **Automatyczne wyszukiwanie Wi-Fi** - automatycznie wyszukuje dostępne sieci bezprzewodowe. Wybierz sieć Wi-Fi, a następnie wprowadź hasło (jeśli sieć jest nim chroniona). Gdy hasło zostanie zaakceptowane, nie będziesz później musiał wpisywać go ponownie.

**UWAGA:** Łączenie z siecią może potrwać kilka minut - zachowaj cierpliwość. Przy każdym włączeniu telewizor będzie automatycznie łączył się z wybraną siecią. To również może chwilę potrwać.

**Informacje o sieci** - Informacje o ustawieniach sieci

**Test sieci** - Test połączenia sieciowego

### CZAS

**Synchr. Aut.** - automatyczne ustawienie godziny i daty w telewizorze.

W tym celu niezbędne jest dostrojenie telewizora do stacji cyfrowej i/ lub podłączenie internetowe. Wyłącz funkcję „Synchr. Aut.”, żeby ręcznie ustawić godzinę i datę. Jeśli funkcja „Synchr. Aut.” będzie wyłączona, a data i godzina zostały ustawione ręcznie, ustawienie to zostanie skasowane, jeśli telewizor zostanie odłączony od sieci elektrycznej.

**Zegar** - Wyświetla datę i godzinę. Ustawienie jest możliwe, jeśli funkcja „Synchr. Aut.” jest wyłączona.

**Godzina wyłączenia** - Pozwala ustawić określony czas wyłączenia telewizora.

**Godzina włączenia** - Pozwala ustawić określony czas włączenia telewizora, kanał, który zostanie wyświetlony, źródło i głośność. Funkcję można przełączyć do powtarzania codziennie lub konkretnego dnia.

**Wyłącznik czasowy** - Pozwala ustawić wyłącznik czasowy, żeby telewizor wyłączył się po określonym czasie. Wyłączenie -> 10min -> 20min -> 30min -> 60min -> 90min -> 120min -> 180min -> 240min.

**Czas wyświetlania Menu** - Pozwala ustawić czas, po którym menu ekranowe zostanie wyłączone.

**Automatyczny tryb czuwania** - Ustawienie automatycznego trybu czuwania ze skokiem godzinnym: Wyłącz -> 3h -> 4h -> 5h.

**Strefa czasowa** - Zmiana bieżącej strefy czasowej.

### BLOKADA

**Blokada systemowa** - Pozwala zablokować lub odblokować menu. Zostaniesz poproszony o wprowadzenie 4-cyfrowego hasła. Użyj przycisku ◀, żeby wyjść z trybu wprowadzania hasła. Użyj przycisku ▶, żeby wyzczyścić. Domyślne hasło to 0000.

**Ustaw hasło** - Zmiana domyślnego hasła.

**Blokuj program** - Blokada określonych programów.

**Blokada dla dzieci** - Blokada kanałów telewizyjnych na podstawie ograniczeń wiekowych.

**Blokada klawiszy** - Umożliwia blokadę manipulatora wielofunkcyjnego z tyłu telewizora

**Blokada źródeł** - Umożliwia ukrycie wybranych źródeł sygnału.

**Tryb hotelowy** - Zaawansowane ustawienia dla hoteli.

### USTAWIENIA

**Język** - Pozwala zmienić język menu.

**Język dźwięku** - Pozwala zmienić język dźwięku dla wybranych kanałów DVB.

**Język napisów** - Pozwala zmienić język napisów dla wybranych kanałów DVB.

**Pomoc dla niesłyszących** - Jeśli sygnał zapewnia wsparcie dla niesłyszących, można wyświetlić napisy naciskając przycisk "Subtitle". Jeśli pomoc dla niesłyszących jest włączona i przełączony telewizor na program obsługujący napisy, zostaną one uaktywnione automatycznie.

**Niebieski ekran** - Gdy nie ma sygnału wejściowego, zmienia tło między przezroczystym a niebieskim (dostępne tylko dla niektórych źródeł).

**System plików PVR** - Opcje nagrywania PVR\*

- **Wybierz dysk** - Wybierz gniazdo USB i partycję dysku
- **Rozmiar pliku Timeshift** - Ustaw czas dla bufora przesunięcia czasowego
- **Formatowanie** - Możesz sformatować podłączony dysk USB w systemie plików FAT 32.

**OSTRZEŻENIE: WSZYSTKIE DANE Z DYSKU USB ZOSTANĄ SKASOWANE**

- **Szybkość** - Testuje prędkość zapisu dla podłączonych dysków USB.

\* **tylko dla urządzeń z wbudowaną funkcją PVR**

**Pierwsza instalacja** - Uruchamia pierwszą instalację telewizora.

**Aktualizacja oprogramowania (USB)** - Od czasu do czasu możemy wypuszczać nowe wersje oprogramowania firmware usprawniające działanie telewizora (dostępne do pobrania). To menu pozwala zainstalować nowe oprogramowanie/firmware w telewizorze. Szczegółowy opis tej operacji będzie dołączony do oprogramowania firmware. Skontaktuj się z linią pomocy lub zapoznaj się ze stroną [www.sharp.eu/av/](http://www.sharp.eu/av/).

**Aktualizacja oprogramowania (NET)** - pozwala na aktualizację oprogramowania telewizora przez Internet. Ta funkcja będzie wyszukiwać nowe oprogramowanie i aktualizować je, gdy zajdzie potrzeba.

**UWAGA:** Po każdym włączeniu telewizor będzie automatycznie szukał nowych wersji oprogramowania. Gdy znajdziesz aktualizację, zapyta Cię, czy chciałbyś ją pobrać i zainstalować. Jeśli wybierzesz "Tak", telewizor zaktualizuje oprogramowanie do najnowszej wersji.

**OSTRZEŻENIE:** Nie wyłączaj telewizora przed zakończeniem aktualizacji!

**Ustawienia fabryczne** - Resetowanie menu do wartości fabrycznych.

**HDMI CEC\*** - Pozwala sterować urządzeniami podłączonymi przez HDMI używając pilota od telewizora.

- **Lista urządzeń\*** - Pozwala uzyskać dostęp do menu urządzeń i obsługiwać menu przy pomocy pilota od telewizora.
- **HDMI CEC** - włączenie/wyłączenie funkcji HDMI CEC.
- **Automatyczny tryb czuwania\*** - Automatycznie włącza/wyłącza podłączone urządzenia poprzez HDMI CEC.
- **HDMI ARC\*** - Wysła sygnał dźwiękowy z telewizji naziemnej/satelitarnej poprzez HDMI z telewizora do odbiornika AV bez użycia dodatkowych kabli audio. Te funkcje są dostępne tylko dla wyjścia HDMI 2.

\* **HDMI CEC musi być obsługiwany przez podłączone urządzenie.**

**HDMI EDID** - przesyła możliwośći telewizora (rozdzielczość, obsługa audio itp.) bezpośrednio do urządzeń podłączonych poprzez interfejs HDMI. Ten element umożliwia przełączanie trybu wejściowego wybranego wejścia HDMI między HDMI i HDMI2.0.

- **Standardowe** - ustawienie zalecane w przypadku podłączenia telewizora do urządzenia wyposażonego w wyjście HDMI 1.4 (lub niższa wersja), np. odtwarzacza Blu-Ray Full HD, odtwarzacza DVD lub konsoli do gier.
- **Rozszerzenie** - ustawienie zalecane w przypadku podłączenia telewizora do urządzenia wyposażonego w wyjście HDMI 2.0, np. odtwarzacza Blu-ray 4K lub nowoczesnego komputera.

**Status LED** - Pozwala użytkownikowi włączyć lub wyłączyć wskaźnik diodowy zasilania, gdy telewizor pracuje. (Gdy ta opcja jest wyłączona, wskaźnik zasilania będzie pulsował, gdy używany jest pilot zdalnego sterowania).

**HbbTV** - umożliwia użytkownikowi wł./wyt. serwisu HbbTV.

Żeby korzystać z serwisu HbbTV, należy podłączyć telewizor do internetu. Oglądane kanały muszą obsługiwać serwis HbbTV.

**Wersja oprogramowania** - Pokazuje wersję oprogramowania telewizora.

**Edycja źródeł** - Ta opcja umożliwiła ręczną zmianę nazw elementów na liście sygnałów źródłowych. Możesz na przykład zmienić nazwy wejść na nazwy podłączonych urządzeń.

## AQUOS NET+

Portal AQUOS NET+ umożliwił korzystanie z licznych aplikacji lub przeglądanie stron WWW na ekranie telewizora LCD AQUOS. Aby otworzyć portal AQUOS NET+ naciśnij przycisk NET+ na pilocie lub wybierz Więcej aplikacji menu.

**UWAGA:** Pocezkaż, aż telewizor połączy się z siecią Wi-Fi.

Może to potrwać kilka minut od włączenia telewizora.

Poruszaj się po menu, używając strzałek ▲/▼/◀/▶. By wybrać plik, który chcesz odtworzyć/wyświetlić, wciśnij przycisk [OK]. By cofnąć "do poprzedniego", naciśnij przycisk [Menu], a żeby otworzyć dodatkowe funkcje, użyj przycisków kolorowych. By wyjść z AQUOS NET+, naciśnij przycisk [EXIT].

**Start** - ekran z poleceniami filmami i ostatnio uruchamianymi aplikacjami

**Aplikacje** - otwiera listę dostępnych aplikacji.

**Filmy** - otwiera listę dostępnych filmów.

**Programy TV** - otwiera listę dostępnych programów telewizyjnych.

**Muzyka** - otwiera listę dostępnych serwisów muzycznych i teledysków.

**Gry** - lista gier i powiązanych aplikacji.

**Sport** - lista aplikacji powiązanych ze sportem.

**Wiadomości** - lista aplikacji powiązanych z serwisami informacyjnymi.

**Wyszukaj** - umożliwiła wyszukiwanie aplikacji

poprzez wprowadzenie nazwy lub jej części. **Ulubione** - dodawanie aplikacji do listy „Ulubione” zapewnia szybki dostęp do ulubionych aplikacji. Żeby dodać aplikację do listy, należy po prostu zaznaczyć dowolną aplikację i naciśnąć zielony przycisk, co spowoduje wyświetlenie się wybranej aplikacji na liście „Ulubione”. Żeby usunąć zbędną aplikację z listy „Ulubione”, należy zaznaczyć żadaną aplikację i naciśnąć ZIELONY przycisk.

**Ustawienia** - w menu ustawień możesz zmienić język portalu Aquos NET+, ustawić filtrowanie wyszukiwania aplikacji według wybranego języka oraz zresetować wszystkie ustawienia użytkownika przywracając ustawienia domyślne.

**ZRESETOWANIE USTAWIENIŃ UŻYTKOWNIKA:** Jeśli chcesz całkowicie usunąć wszystkie ustawienia użytkownika w portalu AQUOS NET+, musisz najpierw wybrać menu ustawień portalu, a następnie wybrać opcję „Zresetuj swoje urządzenie”. Przy pomocy kursora wybierz TAK i naciśnij przycisk OK na pilocie, aby potwierdzić zresetowanie tych ustawień.

**UWAGA:** By spełniać oczekiwania klientów, ulepszymy nasze produkty. W wyniku naszych nieustających starań o AQUOS NET+ będą sukcesywnie dodawane nowe aplikacje. Aplikacje i zawartość AQUOS NET+ mogą zostać zmienione bez powiadomienia. Niektóre funkcje i zawartość mogą być niedostępne w Twoim kraju.

## 7-dniowy program telewizyjny

Program telewizyjny jest dostępny w trybie cyfrowej telewizji. Dostarcza informacje o zbliżających się programach (gdy jest to obsługiwane przez kanał cyfrowy). Możesz zobaczyć czas rozpoczęcia i zakończenia wszystkich programów oraz wszystkie kanały przez następne 7 dni, a także ustawić przypomnienia.

1. Naciśnij przycisk [TV GUIDE]. Pojawi się program telewizyjny na 7 dni.

2. Poruszaj się po menu przy pomocy przycisków ▲/▼/◀/▶.

**Możesz teraz:**

Nagrać wybrany kanał telewizyjny i program naciskając przycisk CZERWONY.\*

Ustaw przypomnienie naciskając przycisk ZIELONY.

Wyświetl poprzedni dzień naciskając przycisk ŻÓŁTY.

Wyświetl następny dzień naciskając przycisk NIEBIESKI.

Przycisk [INFO] wyświetla szczegółowe informacje o wybranej pozycji

3. Naciśnij [EXIT], żeby wyjść z programu telewizyjnego.

\* **Tylko dla modeli z funkcją nagrywania.**

## Nagrywanie USB - tryb cyfrowy\*

Telewizor posiada wbudowany moduł nagrywania USB. Funkcja jest dostępna w trybie cyfrowym, gdy używana jest w połączeniu z kompatybilną pamięcią USB lub twardym dyskiem USB. Zalety tego rozwiązania są następujące:

- Możliwość zapauzowania nadawanego programu telewizyjnego, szybkie przewijanie do przodu i do tyłu (do aktualnie nadawanego sygnału).
- Nagrywanie jednym przyciskiem, jeśli postanowisz nagrać bieżący program.
- Łatwe programowanie nagrywania przy pomocy 7-dniowego programu telewizyjnego.

Ze względu na charakter produktu konieczne jest użycie pamięci USB o dużej prędkości (ponieważ telewizor jednocześnie zapisuje i odczytuje dane, niektóre pamięci mogą być nieodpowiednie).

Minimalne wymagania - pamięć USB

- **Prędkość odczytu** - 20 Mb/s (megabajtów na sekundę)
- **Prędkość zapisu** - 6 Mb/s (megabajtów na sekundę)

## Pauszowanie emitowanego programu (przesunięcie czasowe)\*

Pauszowanie emitowanego programu jest bardzo proste.

- Naciśnij przycisk odtwarzania/pauzy, a obraz na telewizorze zostanie zatrzymany i rozpocznie się nagrywanie emitowanego programu. Żeby wznowić oglądanie, naciśnij ponownie przycisk odtwarzania/pauzy. Naciśnij przycisk przewijania do przodu, żeby przejść do dalszej części nagrania (np. pominąć reklamy).
- Naciśnij przycisk przewijania do tyłu, żeby cofnąć nagranie (np. jeśli przewinąłeś za daleko).

**WSKAZÓWKI:** Gdy przełączysz telewizor do trybu czuwania lub zmienisz kanał, pamięć przesunięcia czasowego jest kasowana. Żeby wznowić funkcję przesunięcia czasowego, musisz nacisnąć przycisk odtwarzania/pauzy.

## Nagrywanie jednym przyciskiem

W dowolnym momencie możesz nagrać aktualnie oglądany program. Żeby to zrobić, musisz nacisnąć przycisk [REC].

**WSKAZÓWKI:** Opisany telewizor posiada jeden tuner telewizyjny, więc można nagrywać tylko oglądany kanał lub nagrywać jeden kanał, gdy telewizor jest w trybie czuwania.

**UWAGA:** Funkcja nagrywania USB dostępna jest tylko w trybie telewizji cyfrowej. Ze względu na prawa autorskie i nielegalne kopiowanie/nagrywanie, nie jest możliwe nagrywanie na/z innych wejścia/wyjścia.

\* - tylko dla urządzeń z wbudowaną funkcją PVR

## HDR (High Dynamic Range - wysoki zakres dynamiki)

Materiały wideo zarejestrowane w formacie HDR pozbawione są ograniczeń standardowego sygnału wideo i wyświetlane są z szerszą gamą kolorów i w wyższej jasności.

**UWAGA:**

- Funkcja HDR zostanie aktywowana automatycznie po wykryciu sygnału HDR, pod warunkiem, że opcja HDMI EDID w menu 'USTAWIENIA' zostanie ustawiona na "Rozszerzenie".
- Opisany telewizor może wyświetlać materiały HDR z wejść HDMI i USB.
- W przypadku podłączenia przy pomocy portów HDMI, zewnętrzne urządzenie musi również obsługiwać format HDR oraz HDMI2.0, a także odtwarzać materiał zarejestrowany w formacie HDR.
- Opisywane urządzenie nie obsługuje materiałów HDR z zewnętrznych aplikacji takich jak Netflix czy YouTube.

## Karta produktu

Znak towarowy	
Model	LC-50UI7222E LC-50UI7322E LC-50UI7422E
Klasa wydajności energetycznej	A+
Widoczny rozmiar ekranu (przekątna)	50" / 127cm
Zużycie energii w trybie włączenia	70,0 W
Roczne zużycie energii*	102 kWh
Zużycie energii w trybie czuwania**	<0,50 W
Zużycie energii przy wyłączonym zasilaniu	N/A
Rozdzielczość ekranu	3840 (H) x 2160 (V)

\* - **Pobór energii XYZ kWh rocznie w oparciu o zużycie energii przy pracy 4 godziny dziennie przez 365 dni. Rzeczywiste zużycie energii zależy od wykorzystania telewizora.**

\*\* - **gdy telewizor jest wyłączony pilotem i żadna funkcja nie jest aktywna**

## Důležité bezpečnostní pokyny



**Přečtěte si prosím tyto instrukce. Před použitím zařízení si přečtěte všechny bezpečnostní a provozní pokyny.**

**Abyste zabránili šíření požáru, nikdy se k tomuto výrobku nepřibližujte se svíčkou nebo jiným otevřeným ohněm.**



- Televizory s úhlopříčkou 43" nebo větší musí být zdvihány a přenášeny minimálně dvěma osobami.
- Buďte opatrní! Žádné části TV nesmějí být opravovány nebo vyměňovány uživatelem. V případě poruchy, se obraťte na výrobce nebo autorizovaný servis. Kontakt s některými částmi uvnitř přístroje může ohrozit váš život. Záruka se nevztahuje na závady způsobené neodbornými zásahy do zařízení!.
- Neodstraňujte zadní kryt zařízení.
- Tento spotřebič je určen pro příjem a reprodukci obrazových nebo zvukových signálů. Jakékoliv jiné použití je přísně zakázáno.
- Chcete-li TV odpojit od napájení, odpojte zástrčku z napájecí zásuvky.
- Je-li napájecí kabel poškozen, musí být nahrazen výrobcem, jeho servisním technikem nebo podobně kvalifikovanou osobou, aby nedošlo k úrazu.
- Ideální vzdálenost pro sledování televize je přibližně pětinašobek úhlopříčky obrazovky. Světlo dopadající na obrazovku z jiných zdrojů světla může způsobit odrazy a zhoršení kvality obrazu.
- Zajistěte dostatečné větrání a dostatečnou vzdálenost spotřebiče od jiných kusů nábytku.
- V okolí zařízení vždy zajistěte minimální vzdálenost 5 cm, aby se zajistilo správné větrání.
- Ujistěte se, že ventilační otvory nejsou překryté věci, jako jsou noviny, záclony a ručníky, atd.
- TV je navržen tak, aby fungovala v mírném podnebí.
- Nevystavujte TV kapajícím nebo stříkajícím kapalinám.
- Televizor je určen výhradně pro provoz na suchém místě. Při použití přístroje v exteriéru se prosím ujistěte, že je chráněn proti vlhkosti (dešti, stříkající vodě). Nikdy nevystavujte přístroj vlhkosti.
- Na TV nedávejte žádné nádoby naplněné kapalinami, např. vázy, atd. Tyto nádoby by se mohly převrhnout, a voda která by se mohla dostat do přístroje a způsobit zkrat. Postavte přístroj výlučně na rovné a stabilní povrchy. Nepokládejte žádné předměty, jako jsou noviny nebo deky, atd. na nebo pod přístroj.
- Neumísťujte přístroj v blízkosti topných těles nebo na místa s přímým slunečním zářením, protože to má negativní vliv na chlazení zařízení. Akumulované teplo je pro zařízení nebezpečné a může vážně snížit jeho životnost. V zájmu zajištění bezpečnosti přístroje, požádejte kvalifikovanou osobu k odstranění nečistot z přístroje.
- Pokuste se předejít poškození napájecího kabelu a síťového adaptéru (pokud je součástí balení). Přístroj může být připojen pouze pomocí přiloženého síťového kabelu / adaptéru.
- Bouřky jsou nebezpečné pro všechny elektrické spotřebiče. V případě zasažení elektrické sítě nebo anténního rozvodu bleskem, může dojít k poškození zařízení, i když je vypnuté. Proto byste měli odpojit všechny kabely a konektory přístroje před bouří.

- K čištění obrazovky spotřebiče používejte pouze vlhký a měkký hadřík. Používejte pouze čistou vodu, nepoužívejte saponáty a rozpouštědla.
- Umístěte televizor v blízkosti stěny tak, aby se zabránilo možnosti jeho pádu.
- VAROVÁNÍ - Televizní sadu nikdy nedávejte na nestabilní místo. Televizní sada může spadnout, způsobit vážné zranění nebo smrt. Řadě zranění, zejména dětí, se lze vyhnout tím, že přijmete jednoduchá bezpečnostní opatření:
- Používejte skříňky nebo podstavce doporučené výrobcem televizní sady.
- Používejte pouze nábytek, který dokáže televizní sadu bezpečně unést.
- Zkontrolujte, zda televizní sada nepěchne přes okraj nábytku, na kterém je umístěna.
- Televizní sadu neumísťujte na vysoký nábytek (např. komody nebo knihovny) aniž byste upevnili jak nábytek, tak televizní sadu ke vhodné podpoře.
- Televizní sadu neumísťujte na látku nebo jiné materiály, které by se mohly nahnázet mezi televizní sadou a nábytkem.
- Děti poučte o nebezpečí lezení na nábytek, pokud by chtěly dosáhnout na televizní sadu nebo její ovládací.
- Zajistěte, aby děti na TV nelezly ani se na ni nezavěšovaly.
- V případě přemístění televizoru ze stávajícího umístění je třeba vzít v úvahu výše uvedené doporučení.
- Níže uvedené pokyny představují bezpečnější způsob zajištění televizoru montáží na stěnu tak, aby se zamezilo možnosti jeho pádu. Tím se zabráni možnému zranění a jeho poškození.
- Pro tento typ instalace budete potřebovat fixační drát.
  - A) Pomocí jednoho / obou horních montážních otvorů určených pro montáž na stěnu a šroubů (šrouby jsou dodávány přímo v montážních otvorech) připevněte jeden konec upevňovacího drátu / drátů na televizor,
  - B) Zajistěte druhý konec upevňovacího drátu / drátů o vaši zeď.
- Software na vašem televizoru a OSD rozložení mohou být změněny bez předchozího upozornění.
- Poznamka: V případě elektrostatického výboje (ESD) nemusí zařízení fungovat správně. V takovém případě TV vypněte a znovu zapněte. TV bude fungovat normálně.

### Varování:

- TV nepoužívejte bezprostředně po rozbalení. Než TV použijete, počkejte než se zahřeje na pokojovou teplotu.
- Nikdy nepřipojujte externí zařízení k zapnutému spotřebiči. Vypněte nejen televizor, ale i zařízení, která jsou připojena! Zapojte zástrčku do zásuvky až po připojení externích zařízení a antény!
- Zajistěte volný přístup k síťové zástrčce zařízení.
- Zařízení není určeno pro použití jako monitor počítače na pracovišti.
- Dlouhodobé používání sluchátek při vysoké hlasitosti může vést k nevratnému poškození sluchu.
- Zabezpečte správnou likvidaci zařízení a všech komponent včetně baterií s ohledem na životní prostředí. V případě pochybností, kontaktujte prosím svůj místní úřad pro podrobnosti o recyklaci.
- Nikdy nepřipojujte externí zařízení k zapnutému spotřebiči. Vypněte nejen televizor, ale i zařízení, která jsou připojena! Zapojte zástrčku do zásuvky až po připojení externích zařízení a antény!
- Zajistěte volný přístup k hlavnímu vypínači a síťové zástrčce zařízení.
- Zařízení není určeno pro použití jako monitor počítače na pracovišti.
- Dlouhodobé používání sluchátek při vysoké hlasitosti může vést k nevratnému poškození sluchu.
- Zabezpečte správnou likvidaci zařízení a všech komponent včetně baterií s ohledem na životní prostředí. V případě pochybností, kontaktujte prosím svůj místní úřad pro podrobnosti o recyklaci.
- Výrobce nemůže být zodpovědný nebo odpovědný za problémy související se zákaznickým servisem, který se týká obsahu nebo služeb třetí strany. Jakékoliv otázky, komentáře nebo dotazy na službu související s obsahem nebo službami třetí strany se musí týkat přímo poskytovatele obsahu nebo poskytovatele služeb.

- Existuje řada důvodů, proč nemůžete získat přístup k obsahu nebo službám ze zařízení, které se samotným zařízením nesouvisí, včetně, ale nejen, výpadku napájení, připojení k internetu nebo nesprávné konfigurace vašeho zařízení. Společnost Universal Media Corporation, její ředitelé, zaměstnanci, úředníci, zástupci, dodavatelé a pobočky nenesou odpovědnost vůči vám nebo třetí straně týkající se takového selhání nebo výpadků údržby, bez ohledu na příčinu nebo to, zda tomu bylo možné předjet.
- Veškerý obsah nebo služby třetích stran přístupné přes toto zařízení jsou vám poskytovány "tak jak jsou" a na bázi "k dispozici" a Universal Media Corporation a její pobočky vám neposkytují žádnou záruku, včetně, bez omezení, jakýchkoli záruk obchodovatelnosti, neporušení, vhodnosti k určitému účelu nebo jakýchkoli záruk vhodnosti, dostupnosti, přesnosti, úplnosti, bezpečnosti, názvu, užitečnosti, nedostatku nedbalosti nebo bezproblémového nebo nepřerušovaného provozu nebo použití obsahu či služeb poskytovaných nebo toho, že obsah či služby, které vám budou poskytnuty, splní vaše požadavky a očekávání.
- "Universal Media Corporation" není zástupce a nenesou odpovědnost za jednání či opomenutí ze strany poskytovatelů obsahu nebo služeb třetí strany, ani za aspekt obsahu nebo služeb souvisejících s takovými třetími stranami.
- "Universal Media Corporation" a/nebo její pobočky nejsou v žádné případě zodpovědné vám nebo jakékoli třetí straně za přímé, nepřímé, speciální, náhodné, trestní, následné nebo jiné škody, bez ohledu na to, zda se teorie odpovědnosti zakládá na smlouvě, deliktu, nedbalosti, porušení záruky, přísné odpovědnosti a bez ohledu na to zda byla společnost Universal Media Corporation a/nebo její pobočky byly o možnosti takových škod informovány.

### Důležité informace, týkající se použití videoher, počítačů, speciálních titulků nebo jiného zobrazení nepohyblivých obrázků.

- Nadměrné používání programových materiálů s nepohyblivým obrázkem může způsobit permanentní „stinový obraz“ na LCD panelu. Tento obrázek na pozadí je při normálních programech viditelný ve formě stacionárního nepohyblivého obrázku.
- Tento typ nezvratného poškození LCD/LED panelu se dá omezit dodržáním následujících kroků:
  - » Snížením nastavení jasu/kontrastu na minimální sledovatelnou úroveň.
  - » Teletext: Nesledujte stacionární stránku po delší dobu
  - » Nabídka TV/DVD, např.: Seznamy obsahů DVD disku
  - » Režim pauzy: Neponěchávejte TV v režimu pauzy po dlouhý čas, např. při sledování DVD nebo videa.
  - » Vypnutím zařízení pokud se nepoužívá

### Baterie

- Při vkládání baterií dodržte správnou polaritu.
- Nevystavujte baterie vysokým teplotám a nepokládejte je na místech, kde teplota se může rychle zvýšit, např. v blízkosti ohně nebo na přímém slunci.
- Nevystavujte baterie nadměrnému sálavému teplu, neházejte je do ohně, nerozebírejte je, a nesnažte se dobíjet nedobíjatelně. Mohly by vytéct nebo explodovat.
  - » Nikdy nepoužívejte různé typy baterií a nemíchejte nové a staré.
  - » Baterie likvidujte s ohledem na životní prostředí.
  - » Většina zemí EU upravuje nakládání s bateriemi zákonem.



Cd

### Likvidace produktu

- Elektrická zařízení by neměla být likvidována společně s komunálním odpadem. Informujte se na místním úřadě nebo prodejce o správné recyklaci zařízení.



### Prohlášení CE:

- Společnost UMC Poland Sp. z o.o. tímto prohlašuje, že tato LED TV odpovídá základním požadavkům a ostatním relevantním ustanovením směrnice RED 2014/53/EU. Plné znění prohlášení o souladu je k dispozici na následujícím odkazu <https://www.sharpconsumer.eu/documents-of-conformity/>

### Ochranné známky

- Výrazy HDMI a HDMI High-Definition Multimedia Interface, a logo HDMI jsou ochranné známky nebo registrované ochranné známky HDMI Licensing, LLC v USA a ostatních zemích.
- Logo „DIGITALEUROPE UHD Display“ je ochranná známka DIGITAL-EUROPE.
- DVB logo je registrovaná ochranná známka projektu Digital Video Broadcasting - DVB.
- Vyrobeno na základě licence poskytnuté společností Dolby Laboratories. Dolby, Dolby Audio a symbol dvojitého D jsou ochranné známky společnosti Dolby Laboratories.
- Patenty DTS najdete na webové stránce <http://patents.dts.com>. Vyrobeno na základě licence společnosti DTS Licensing Limited. Nápis DTS, symbol a nápis DTS spolu se symbolem jsou registrované ochranné známky. DTS Studio Sound je ochranná známka společnosti DTS, Inc. © DTS, Inc. Všechna práva vyhrazena.
- YouTube a logo YouTube jsou ochranné známky Google Inc
- Logo Wi-Fi CERTIFIED je certifikační známka Wi-Fi Alliance.
- Wi-Fi CERTIFIED Miracast a Miracast jsou ochranné známky Wi-Fi Alliance.
- DLNA, logo DLNA a DLNA CERTIFIED jsou ochranné známky, servisní známky nebo certifikační známky Digital Living Network Alliance.
- Harman Kardon je ochranná známka společnosti HARMAN International Industries, Incorporated, registrované v Spojených státech a/nebo dalších zemích.

## Co je v balení

### Balení obsahuje následující součásti:

- 1 x TV
- 1 x instalační sada pro stojan
- 1 x dálkové ovládání
- 1 x návod k obsluze
- 2 x baterie AAA
- 1 x sada pro montáž na stěnu (4x šroubek M6x35 a 4x plastová rozpěrka)

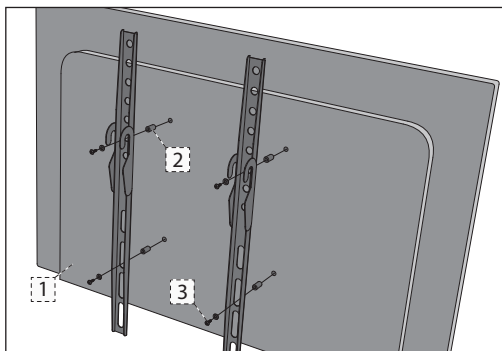
## Montáž stojanu

Postupujte podle pokynů na poslední stránce tohoto návodu.

### Montáž TV na stěnu

1. Vymějte čtyři šrouby, které se nachází v otvorech pro montáž na stěnu.
2. Držák na stěnu lze snadno připojit k montážním otvorům v zadní části TV.
3. Na televizi nasadíte závěs k montáži na stěnu, tak, jak je doporučeno výrobcem.

Při připevňování konzolí na modely o velikosti 50" doporučujeme namísto šroubků v otvorech pro připevnění TV na stěnu použít delší šroubky a rozpěrky, které jsou součástí balíčku s příslušenstvím. Vložte rozpěrky do otvorů pro připevnění TV na stěnu (nachází se na zadní straně TV), a poté na ně nasadíte konzole. Připevněte konzole a rozpěrky na TV pomocí delších šroubků – viz níže:



1. TV
2. ROZPĚRKA
3. ŠROUBEK

**POZNÁMKA:** Typ TV a konzole zobrazený v nákrese je pouze ilustrační.

## Začínáme – počáteční nastavení

1. S pomocí kabelu RF připojte TV do nástěnné zásuvky s TV anténou.
2. Pro připojení k internetu pomocí kabelu použijte kabel Cat 5/Ethernet (není součástí balení), který povedete z TV do vašeho modemu/routeru.
3. Napájecí kabel zapojte do zadní části TV, potom ho zapojte do elektrické zásuvky.
4. Vložte baterie do dálkového ovládání.
5. Pak stiskněte Standby tlačítko pro spuštění TV.

### 6. Přivítá vás úvodní nastavovací obrazovka.

Jestliže se nezobrazí, stiskněte [MENU] na dálkovém ovládání, potom 8-8-8-8, zobrazí se nabídka. Pokud chcete změnit jakékoli výchozí nastavení, použijte tlačítka pro ▲/▼/◀/▶ navigaci. Menu můžete kdykoliv opustit stisknutím tlačítka [EXIT]

### 7. Prosim upravte žádané položky v menu PRVNÍ INSTALACE.

**KROK 1** - Nastavte jazyk TV menu.

**KROK 2** - Nastavte zemi.

**KROK 3** - Nastavte typ připojení k síti. Pokud si přejete tento krok přeskočit a připojit TV k síti později, prosím, vyberte možnost Přeskočit nastavení sítě.

**KROK 4** - Vyberte umístění TV. V případě domácího použití vyberte Domov. V případě demo režimu v obchodě nastavte Obchod.

**KROK 5** - Vyberte, zda má vaše TV stojan nebo je připevňována na stěnu. Podle vybrané možnosti TV provede optimální nastavení audia.

**KROK 6** - Vyberte vstupní zdroj, který chcete použít. Pokud jste k TV připojili kabel RF, vyberte DTV. Pokud máte TV připojenou k satelitu, vyberte DVB-S\*. V případě, že používáte set-top-box, vyberte správný vstup TV, do kterého je zapojený.

8. Pokud jste v posledním kroku vybrali DTV nebo DVB-S2, budete požádáni, zda chcete naladit kanály. Pokud vyberete „Ne“, můžete kanály naladit později, prostřednictvím menu NASTAVENÍ/KANÁL. Pokud vyberete „Ano“, menu ladění zmizí.

**Ladění digitální TV (DTV):** U antény DVB vyberte, jaký typ signálu máte. Terestriální (DVB-T) nebo kabelový (DVB-C). Potom zadejte Automatické ladění a nastavte požadované nastavení. Znovu vyberte Automatické ladění a začnete s laděním kanálů.

**Ladění satelitu (DVB-S2):** Spusťte Automatické ladění a zadejte Satelit. Zde si můžete vybrat z různých satelitů. Satelit, který si přejete naladit, vyberte stisknutím tlačítka OK na dálkovém ovládání. Potom se vraťte do předchozího menu, na dálkovém ovládání stiskněte tlačítko BACK (ZPĚT) a pro spuštění ladění kanálů vyberte Automatické ladění.

**POZNÁMKA:** Chcete-li zkrátit délku ladění satelitních kanálů, některé země mají v případě nejoblíbenějšího satelitu v daném regionu předem nainstalovaný seznam kanálů. Je-li to případ vámi vybrané země, budete požádáni, zda chcete nahrát předem nainstalovaný seznam kanálů. Pokud si vyberete „Ano“, seznam kanálů bude do vaší TV importován během několika sekund.

**TIP:** Pokud vám chybí kanály, důvodem je pravděpodobně síla signálu, měli byste zvážit připojení zesilovače signálu a znovu naladit TV.

## Dálkové ovládání

1. **STANDBY** – Přepnutí TV do pohotovostního režimu a naopak.
2. **MUTE** – Ztlumení zvuku.
3. **0 – 9** – přímá volba TV kanálu.
4. **TV GUIDE** – Sedmidenní TV program (Digitální režim).
5. **↔** – Návrat na předcházející sledované kanály.
6. **PICTURE** – Výběr režimu obrazu.
7. **VOL ▲/▼** – Zvýšení/snížení úrovně hlasitosti.
8. **CH ▲/▼** – Zvýšení nebo snížení sledovaného kanálu.
9. **SOUND** – Výběr režimu zvuku.
10. **SOURCE** – Zobrazení nabídky vstupu/zdroje.
11. **MENU** – Zobrazení nabídky OSD.
12. **EXIT** – Opuštění všech nabídek.
13. **(▲/▼/◀/▶/OK)** – Umožňuje přecházet nabídkou na obrazovce a upravit systémové nastavení podle vašich preferencí.
14. **BACK** – Zpět na předchozí menu.
15. **FAV** – Zobrazení seznamu oblíbených položek.
16. **INFO** – Stiskněte jednou pro zobrazení informací o aktuálním/následujícím kanálu. Stiskněte dvakrát pro zobrazení informací a programových informací o aktuálním programu.
17. **TEXT** – Režim Teletext - Zobrazení teletextu.
18. **SUBTITLE** – Zapnutí/Vypnutí dialogu ve spodní části obrazovky.
19. **TV** – Přepnutí na digitální TV zdroj.

20. **YouTube** – Spustí aplikaci YouTube.
21. **NETFLIX** – Zobrazí aplikaci NETFLIX
22. **NET+** – Zobrazí menu AQUOS NET+.
23. **Rec1**– PVR režim - PVR nahrávání.
24. **⏮**– Opakované spuštění aktuální kapitoly.
25. **⏭**– Posunutí dopředu na další kapitolu.
26. **■** – Zastavení přehrávání.
27. **Rec List1**– PVR režim - Seznam nahrávek.
28. **⏮**– Přehrávání v režimu rychlého převíjení zpět.
29. **⏭**– Přehrávání v režimu rychlého převíjení vpřed.
30. **⏸**– Přehrávání/pauza.
31. **BAŘEVNÁ TLAČÍTKA** – Další funkce v Teletextu a TV menu.

*1 - k dispozici pouze pro TV s funkcí PVR*

## TV tlačítka\*

**VOL+** Zvýšení hlasitosti a nabídka doprava

**VOL-** Snížení hlasitosti a nabídka doleva

**CH+** Program/Kanáň nahoru a nabídka nahoru

**CH-** Program/Kanáň dolů a nabídka dolů

**MENU** Zobrazí nabídku/OSD

**SOURCE** Zobrazí vstupní zdroj nabídky

**STANDBY** Pohotovostní zapnutí / vypnutí

\* - **pro TV s tlačítky**

## TV ovladač\*

TV ovladač se nachází ve spodním levém rohu na zadní straně TV. Můžete ho použít místo dálkového ovládacího k ovládání většiny funkcí vaší TV.

**Zatímco je TV v pohotovostním režimu:**

- krátké stisknutí ovladače - Zapnutí

**Během sledování TV:**

- DOPRAVA/DOLEVA - zvýšení/snížení hlasitosti
- NAHORU/DOLŮ - změna kanálu nahoru/dolů
- krátké stisknutí - zobrazí se Menu
- dlouhé stisknutí - Pohotovostní režim

**V menu:**

- DOPRAVA/DOLEVA/NAHORU/DOLŮ - navigace kurzoru v menu na obrazovce
- krátké stisknutí - OK/Potvrzení vybrané položky
- dlouhé stisknutí - zpět do předchozí nabídky

\* - **pro TV s TV ovladačem**

## Režim výběru vstupu/zdroje

Přepínání mezi různými vstupy/připojení.

**a) Použitím tlačítek na dálkovém ovládacím:**

1. Stisknete [SOURCE/☐] – Zobrazí se zdrojová nabídka
2. Stisknutím [◀] nebo [▶] vyberte požadovaný vstup.
3. Stisknete [OK]

**b1) Použitím tlačítek\* na televizoru:**

1. Stisknete [SOURCE]
2. Pohybujte nahoru / dolů pomocí tlačítek VOL+/VOL- na požadovaný vstup/zdroj
3. Stisknutím [SOURCE] změňte na požadovaný vstup/zdroj.

**b2) Použití TV ovladače\*:**

1. Krátkým stisknutím přejdete do menu.
2. Stisknete ovladač dole a kurzor nastavte na menu ZDROJE.
3. Ovladač stisknete krátce a přejděte do menu ZDROJE.
4. Pomocí ovladače vyberte požadovaný vstup/zdroj.

5. Krátkým stisknutím ovladače provedete výběr vstupu/zdroje

\* - **volitelné**


## Připojení


**Typy konektorů, které jsou k dispozici pro různé modely naleznete v tabulce na stránce 96.**


 **USB**  
USB 2.0 Vstup 1, 2; USB 3.0 Vstup 3

 **HDMI 1, 2 (ARC), 3 in**  
HDMI2.0 Vstup 1, 2, 3

 **Čtečka karty SD**  
Karta SD Vstup

 **R/L - Video & YPbPr audio In**  
Komponent / Video audio vstup


 **Video (CVBS)**  
VIDEO vstup


 **Component/YPbPr**  
Komponent HD vstup

 **SCART**  
SCART vstup


 **CI Card IN**  
CI konektor

 **RF In**  
RF/TV Vstup TV Antény

 **Sat In**  
Satelitní vstup

 **Digital Optical Audio Out**  
Digitální optický audio výstup

 **RJ 45**  
Ethernet/LAN

 **HEADPHONES**  
3.5mm sluchákový výstup

 **D-link**  
pouze vstup služby

## Navigace v TV nabídce

Do menu se dostanete stisknutím tlačítka [MENU] na dálkovém ovládacím. Do nabídky se dostanete stisknutím [OK]. Chcete-li změnit jakékoli výchozí nastavení, použijte tlačítka pro ▲/▼/◀/▶ rolování. Jakékoli nastavení potvrdíte tlačítkem [OK]. Menu můžete kdykoliv opustit stiskem tlačítka [EXIT].

## Netflix

Přední internetová televizní síť. Nabízí tisíce filmů a TV pořadů, včetně originálních seriálů, dokumentů a filmů. Členové si mohou obsah přehrávat, pozastavit a obnovit, bez jakýchkoli reklam nebo závazků. Do této aplikace se můžete přihlásit pomocí svého stávajícího účtu Netflix. Nemáte-li účet Netflix, můžete se zaregistrovat prostřednictvím této aplikace nebo oficiální webové stránky Netflix.

## YouTube

Aplikace pro sdílení videí vám umožňuje objevovat a sledovat originálně vytvářené videa.

**POZNÁMKA:** Aby aplikace YouTube fungovala, je třeba, abyste na TV nastavili správné datum a čas. Více informací o nastavení data/ času na TV naleznete v kapitole tohoto návodu k použití s názvem ČAS. Ujistěte se, že vaše síť neblokuje přístup k YouTube a že rychlost připojení k internetu dostatečně k prohlížení obsahu YouTube.

## Další aplikace

Obsahuje nejběžněji používané aplikace, nabízí rychlý a snadný přístup.

**AQUOS NET+** - Otevře portál Sharp SMART.

**Weather** - Aplikace s předpověďmi počasí AccuWeather.

**Prohlížeč** - Aplikace pro přístup k webovým stránkám prostřednictvím internetu. Navigace v prohlížeči:

- **CH+** - přechod o stránku nahoru
- **CH-** - přechod o stránku dolů
- **Red Button** - zobrazit/skrýt lištu menu prohlížeče
- **Yellow Button** - Přiblížení
- **Blue Button** - Oddálení

## Vstupy

Z tohoto menu můžete přepnout vstupní signál na jiný zdroj/připojené zařízení.

## Média

**USB** - Multimediální režim nabízí přehrávání různého obsahu uloženého na USB disku. Obsah se rozdělí na různé typy souborů: Fotografie, hudba a film.

"Možnost souborů" zobrazí a umožní vám přehrát všechny typy podporovaného obsahu.

1. Menu můžete procházet pomocí tlačítek ▲/▼/◀/▶. Pro potvrzení položky, kterou chcete přehrát/zobrazit, stiskněte tlačítko [OK].
2. Během zobrazení obsahu můžete režimy přehrávání ovládat pomocí tlačítek dálkového ovládnání nebo pomocí navigačního menu a výběrem tlačítek ▲/▼/◀/▶ a [OK].

**POZNÁMKA:** Nedoporučuje se používání USB prodlužovacích kabelů, protože mohou způsobit snížení kvality obrazu/ zvuku a zastavování přehrávání USB obsahu.

**Miracast\*** - Umožní vám zobrazit obsah z vašeho chytrého telefonu nebo tabletu na TV obrazovce. Bezdrátové připojení se tvoří pomocí Wi-Fi Direct, tudíž není nutný přístup k síti Wi-Fi. Můžete sdílet obsah ze svého chytrého telefonu nebo tabletu s operačním systémem Android 4.4 a novějším.

**Server Médii** - Automaticky vyhledá servery s digitálními médii (DMS) připojené k vaší domácí síti a umožní přehrávání a spuštění obsahu přímo z těchto serverů.

\* - **Tato funkce je k dispozici pouze na vybraných chytrých telefonech a noteboocích.**

## Obraz

**Režim obrazu** - Vyberte z následujících předvolených nastavení

- **Standard** - Předvolené nastavení
- **Film** - Nastavení světlejších barev a nižšího jasu.
- **Uživatelský** - Umožňuje manuálně měnit všechna nastavení
- **Eco** - Spotřebavá o 15% méně energie.
- **Dynamický** - Doporučené nastavení pro rychle se pohybující obraz

**Kontrast** - Nastavuje vyvážení černé a bílé.

**Jas** - Zvýšení nebo snížení jasu obrazu.

**Barevná sytost** - Zvyšuje barvu černé a bílé.

**Ostrost** - Zvýšení nebo snížení ostrosti obrazu.

**Podání barev** - Vyberte z následujících předvolených nastavení.

- **Normální** - Předvolené nastavení.
- **Teplá** - Zvýrazněná červená barva v obraze.
- **Studená** - Zvýrazněná modrá barva v obraze.

**Poměr stran** - Formát obrazu se může měnit v závislosti na kanálu/ vysílání. Existuje více různých možností k uspokojení vašich potřeb.

- **Auto** - Automaticky zobrazí nejlepší formát obrazu tak, aby byl obraz ve správné poloze. Na obraze se mohou vyskytnout černé čáry. Na horním/spodním okraji nebo po stranách.
- **4:3** - Formát 4:3 je zobrazen v původní velikosti. Aby byla obrazovka při poměru 16:9 vyplněna, jsou po stranách zobrazeny boční pásy.
- **16:9** - Formáty obrazovky s regulárním signálem 16:9.
- **Zoom 1/2** - Obraz je ve správném poměru stran, ale zvětšený na celou obrazovku.
- **Bod po Bodu (HDMI)** - Zobrazení obrazu v jeho originálním rozlišení bez změn.
- **Celá obrazovka** - Roztáhne obraz na celou obrazovku.

**Expertní nastavení**

- **Redukce šumu** - Filtruje a snižuje šum (interference) obrazu.
- **Aktivní kontrast** - Automaticky optimalizuje "podsvícení" a "kontrast" obrazu podle jasu obrazovky.
- **Podsvícení** - Nastavení jasu obrazovky se zvýšením/ snížením podsvícení na panelu.
- **Gamma** - Nastavení tónu mezi světly a tmavými částmi obrazu.
- **Červená** - Nastavení červených tónů obrazu.
- **Zelená** - Úprava zelených tónů obrazu.
- **Modrá** - Úprava modrých tónů obrazu.

## ZVUK

**Režim zvuku** - Vyberte z následujících předvolených nastavení

- **Standard** - Předvolené nastavení
- **Hudba** - Hudba v popředí před hlasy
- **Film** - Poskytuje živější a plnější zvuk při sledování filmů
- **Uživatelský** - Vyběr nastavení dle vlastních potřeb
- **Sport** - U sportu zvuk v popředí

**Ekvalizér** - Nastaví hlasitost různých zvukových frekvencí. Úroveň ekvalizéru lze nastavit pouze je-li zvolen režim zvuku "Osobní".

**Sluchátka**

- **HP+TV** - možnost pro současné přehrávání zvuku z reproduktorů TV a sluchátek.
- **Hlasitost** - nastavení hlasitosti sluchátek.

**Vyvážení** - Slouží k přepínání zvuku mezi levými a pravými reproduktory

**Automatická úroveň hlasitosti** - Při přepnutí na "on" zůstane hlasitost na stejné úrovni bez ohledu na vstup/zdroj

**DTS TruSurround** - Zapnutí/vypnutí efektu prostorového zvuku.

**Digitální vstup** - Toto je digitální audio výstup.

Vyberte z následujících možností:

- **Vyp.** - Vypnuto
- **Auto.** - Automaticky zvolí nejlepší nastavení
- **PCM** - Tuto možnost vyberte, pokud jste připojení ke Stereo Hi-Fi přes digitální audio kabel (Impulsní kódová modulace (PCM) je digitálním zobrazením analogového signálu)

**AD přepínač** - Přídavná zvuková stopa pro zrakové postižené.

Dostupná pouze pro vybrané DTV programy.

**AD hlasitost** - Slouží k upravení hlasitosti

zvukové stopy pro zrakové postižené.

**Zvuková stopa** - umožní vám vybrat různé nastavení audia/jazyku pro digitální TV nebo média.

**Zpoždění zvuku (ms)** - Nastavení pro synchronizaci videa a zvuku do TV reproduktorů.



**Zpoždění digit. výstupu (ms)** - Nastavení pro synchronizaci obrazu a zvuku pro externí reproduktory připojené přes digitální audio výstup.

## NASTAVENÍ

### KANÁL

**Zdroj signálu** - Vyberte typ DTV signálu

- **DVB-T** - Pozemní (vzduchem šířené) vysílání
- **DVB-C** - Kabelová televize

**Automatické ladění** - Umožní přeladit všechny digitální televizní kanály, digitální rádiové stanice a analogové kanály

**Analogové manuální ladění** - Umožní manuálně naladit analogový signál

**Digitální manuální ladění** - Umožní manuálně naladit digitální signál

**Editace programů** - Umožní vymazat, přeskočit a přidat oblíbené kanály.

- **Červené tlačítko** - smazat vybraný kanál.
- **Žluté tlačítko** - přesunout vybraný kanál. Kurzorem přejedte na kanál, který chcete přesunout na jinou pozici, potom stiskněte ŽLUTÉ tlačítko. Nyní přesuňte vybraný kanál pomocí šipek NAHORU/DOLŮ na požadovanou pozici a znovu stiskněte ŽLUTÉ tlačítko, kterým potvrdíte jeho novou pozici v seznamu kanálů.
- **Modré tlačítko** - Přeskočit vybraný kanál. Kanály vybrané k přeskočení se při stisknutí tlačítek CH+ nebo CH- nezobrazí.

**Informace o signálu** - Informace o kvalitě signálu

**CI informace** - Služba sledování placených programů vyžaduje připojení karty „smartcard“ k televizoru. Pokud si objednáte placené programy, poskytovatel služeb vám poskytne „CAM“ a „smartcard“. CAM poté připojte ke otvoru COMMON INTERFACE PORT (CI Card In).

**Seřadit podle LCN** - Zapněte LCN, pokud chcete nalaďené kanály seřadit podle preferencí poskytovatele služeb digitálního vysílání. (platí pouze pro DVB-T a DVB-C kanály).

**Automatická aktualizace kanálu** - Pokud tuto možnost nastavíte na ZAP, pozice, názvy a frekvence kanálů budou vašim poskytovatelem pravidelně aktualizovány. V případě, že jste kanály v seznamu kanálů seřadili dle svých preferencí, může to způsobit problémy. V takovém případě doporučujeme, abyste tuto možnost ponechali vypnutou.

**Seznam nahrávek\*** - Zobrazí seznam nahraných pořadů na USB zařízení.

**Seznam plánu** - Zobrazí upomínky programu

**Nastavení Satelitu** - Tato nabídka je dostupná pouze v režimu DVB-S2.

Můžete zvolit typ satelitu, transpondéru, LNB, typ jste vaše atd

**OAD (Aktualizace softwaru)** - Zapněte/vypněte aktualizace softwaru OAD (over air download).

\* - **pouze pro modely s funkcí nahrávání**

### SÍŤ

**Konfigurace sítě** - Nejprve musíte vybrat typ připojení.

Můžete si vybrat připojení Wi-Fi nebo Wire (kabel).

**POZNÁMKA:** Pro připojení k internetu pomocí kabelu použijte kabel Cat 5/Ethernet (není součástí balení), který povedete z TV do vašeho modemu/routeru.

**IP nastavení** - nastavení připojení k síti LAN

- **Auto** - automaticky připojí televizor k domácí síti (Toto je výchozí nastavení, doporučujeme se neměnit)
- **Manuál** - Umožňuje ručně změnit IP adresu, masku sítě, bránu a DNS.

**Konfigurace Wi-Fi** - Nastavení připojení k bezdrátové síti

- **Automatické vyhledávání Wi-Fi** - Automaticky vyhledá dostupné bezdrátové sítě. Vyberte požadovanou síť Wi-Fi a potom zadejte heslo sítě (je-li síť chráněná heslem). Jakmile je heslo přijato, nebudete k jeho zadání znovu vyzváni.

**POZNÁMKA:** Proces připojení může trvat několik minut, buďte trpěliví, prosím. Při každém zapnutí TV se provede automatické připojení k síti, i to může chvíli trvat.

**Informace o síti** - Informace o nastavení sítě

**Test sítě** - Test připojení sítě

### ČAS

**Automatická synchronizace** - Automaticky nastaví čas a datum na TV. Vyžaduje nalaďené TV pomocí digitálního signálu a/nebo internetového připojení. Chcete-li provést nastavení času a data manuálně, funkci „Automatická synchronizace“ vypněte. Je-li „Automatická synchronizace“ vypnuta pomocí manuálně nastaveného data a času, tato informace se restartuje jakmile bude napájení TV odpojeno.

**Hodiny** - Zobrazí datum a čas. Lze nastavit je-li „Automatická synchronizace“ nastavena na vypnuti.

**Čas vypnutí** - Nastavení konkrétního času pro vypnutí televizoru

**Čas zapnutí** - Nastavení určitého času zapnutím televizoru, zobrazení kanálu po zapnutí, zdroje signálu a také hlasitosti. Tuto funkci lze nastavit na každodenní opakování nebo na spuštění v určitý den.

**Časovač spánku** - Nastavení časovače vypnutí tak, aby se televizor po uplynutí nastavené doby automaticky vypnul. Vypnout -> 10min -> 20min -> 30min -> 60min -> 90min -> 120min -> 180min -> 240min

**Čas OSD** - Umožňuje nastavit dobu, po kterou

OSD menu zůstane na obrazovce.

**Auto. rež. spánku** - Nastavení, kdy se má TV automaticky vypnout po posledním stisknutí jakéhokoliv tlačítka: Vyp. -> 3h -> 4h -> 5h.

**Časová zóna** - Změní aktuální časové pásmo.

### ZÁMEK

**Blokování systému (System Lock)** - Zamknutí a odemknutí nabídky zadáním požadovaného 4 - místního hesla. Zadání ukončíte stisknutím tlačítka ◀. Pro vymazání použijte tlačítko ▶. Přednastavené heslo je 0000.

**Nastavit heslo** - Změna výchozího hesla.

**Blokovat program** - Uzamčení zadaných televizních kanálů.

**Rodičovská kontrola** - Uzamčení TV kanálů podle věku.

**Zámek kláves** - Umožňuje vám zamknout ovládání TV v zadní části TV.

**Zámek vstupu** - Umožňuje vám skrýt ve zdrojovém menu vybrané vstupy.

**Hotelový mód** - Pokročilé nastavení pro hotely.

### MOŽNOSTI

**Jazyk** - Umožňuje změnit jazyk menu

**Jazyky pro zvuk** - Umožňuje změnit jazyk zvuku pro kanály DVB.

**Jazyky pro titulky** - Umožňuje změnit jazyk titulků pro kanály DVB titulků.

**Zhoršený poslech** - Pokud signál poskytuje podporu pro sluchové postižené, stisknutím tlačítka „Subtitle“ mohou být tyto titulků zobrazeny. Pokud nastavíte Sluchové postižení na Zap. a přepnete na kanál s podporou pro neslyšící, titulků pro sluchové postižené se zapnou automaticky.

**Modrá obrazovka** - Pokud neexistuje žádný vstupní signál, budete vidět modré pozadí (k dispozici pouze u některých vstupů).

**Souborový systém PVR** - Nastavení pro nahrávání na USB\*

- **Vybrat disk** - Vyběr USB vstupu a oddílu disku
  - **Velikost souboru funkce Timeshift** - Nastavení velikosti, která se vyhradí na USB zařízení pro funkci Timeshift.
  - **Formát** - Umožňuje naformátovat připojené paměťové USB zařízení na FAT 32 souborový systém.
- UPOZORNĚNÍ: VŠECHNA DATA NA USB ZAŘÍZENÍ BUDOU SMAZÁNA!**
- **Rychlost** - Ověřit rychlost připojené paměťové zařízení USB.

\* - **pouze pro modely s funkcí nahrávání**

**První instalace** - Zobrazí menu úvodní instalace.

**Aktualizace softwaru (USB)** - Z důvodu zlepšování činnosti televizoru vydáváme po určité době nový firmware (volně ke stažení). Tato nabídka umožní nainstalovat do televizoru nový software/firmware. Více informací o způsobu stahování se dozvíte se zveřejněným firmwarem. Kontaktujte zákaznickou linku nebo postupujte podle části „product support“ (podpora produktu) na webových stránkách [www.sharp.eu/av/](http://www.sharp.eu/av/).

**Aktualizace softwaru (NET)** - Umožní provést aktualizaci softwaru TV přes internet. Tato funkce vyhledá nový software a v případě potřeby provede aktualizaci.

**POZNÁMKA:** TV při každém spuštění automaticky vyhledá nová vydání softwaru. Pokud nalezne nový software, požádá vás, zda ho chcete stáhnout a instalovat. Pokud vyberete

"Ano", TV provede aktualizaci na nejnovější software.

**VAROVÁNÍ:** Napájení TV nepřevínejte dokud se aktualizace neskončí!

**Reset TV** - Obnovení továrního nastavení

**HDMI CEC\*** - Umožňuje ovládat zařízení připojená přes rozhraní HDMI pomocí dálkového ovládacího televizoru.

- **Seznam zařízení\*** - Umožní vám přístup do menu připojeného zařízení a ovládání zařízení pomocí dálkového ovládacího televizoru.
- **HDMI CEC** - aktivuje/deaktivuje funkci HDMI CEC.
- **Auto. rež. spánku\*** - Automatické zapnutí/vypnutí připojených zařízení prostřednictvím rozhraní HDMI CEC
- **HDMI ARC\*** - Posílá audio signál z pozemního/satelitního vysílání přes HDMI k AV receiveru bez použití audio kabelu. K dispozici pouze pro HDMI 2 výstup.

\* - **Funkce HDMI CEC musí být podporována i na připojeném zařízení.**

**HDMI EDID** - přenáší možnosti TV sady (rozišení, podpora audia, atd.) přímo do zařízení připojených přes HDMI.

Tato položka vám umožňuje přepínat režimy vybraného vstupu HDMI, a to mezi režimem HDMI a HDMI 2.0.

- **Standardní** - doporučeno je-li TV připojena k zařízení s výstupem HDMI 1.4 nebo nižším, například k přehrávači Full HD Blu-Ray, DVD přehrávači nebo k herní konzoli.
- **Rozšíření** - doporučeno je-li TV připojena k zařízení s výstupem HDMI 2.0, například k přehrávači 4K Blu-Ray nebo k modernímu PC.

**Stav LED** - Umožňuje uživateli zapnout/vypnout LED

diodu indikující stav TV. (Pokud je nastaven na Vyp., LED problikne během používání dálkového ovladače).

**HbbTV** - Umožní uživateli zapnout/vypnout HbbTV.

Chcete-li použít HbbTV, TV musí být připojena k internetu a sledovaný kanál musí funkci HbbTV podporovat.

**Verze softwaru** - Zobrazí aktuální verzi softwaru v televizi

**Úpravy zdroje** - uživatel má možnost manuálně přejmenovat položky v seznamu vstupních zdrojů. Vstupy můžete například přejmenovat na názvy zapojených zařízení.

## AQUOS NET+

Chcete-li získat přístup k menu AQUOS NET+, stiskněte na dálkovém ovladači tlačítko NET+ nebo výběr provedte z menu Další aplikace.

**POZNÁMKA:** Počkejte, než se TV připojí k síti Wi-Fi. Od zapnutí TV to může chvíli trvat.

Menu procházejte pomocí tlačítek ▲/▼/◀/▶. Pro potvrzení položky, kterou chcete přehrát/zobrazit, stiskněte tlačítko [OK]. Pro návrat stiskněte tlačítko [Menu] a pro přístup k doplňkovým funkcím použijte barevná tlačítka. Chcete-li AQUOS NET+ opustit, stiskněte tlačítko [EXIT].

**Domů** - Úvodní obrazovka s doporučenými filmy a nedávno otevřenými aplikacemi

**Všechny aplikace** - Otevře seznam aplikací k dispozici

**Filmy** - Otevře seznam filmů k dispozici

**Seriály** - Otevře seznam TV pořadů k dispozici

**Hudba** - Otevře seznam dostupné hudby a hudebních videí

**Hry** - Seznam her a herních aplikací.

**Sport** - Seznam sportovních aplikací.

**Zprávy** - Seznam aplikací se zprávami.

**Hledat** - vyhledání aplikace po zadání názvu nebo částečného názvu.

**Moje aplikace** - Přidáním aplikací do seznamu „Moje aplikace“

získáte možnost rychlého přístupu k vašim oblíbeným aplikacím.

Chcete-li aplikaci přidat na seznam, jednoduše ji označíte a stisknete zelené tlačítko, poté se zobrazí seznam „Moje aplikace“. Chcete-li ze seznamu „Moje aplikace“ odebrat nechťnou aplikaci, musíte aplikaci, kterou chcete smazat, označit a stisknout ZELENÉ tlačítko.

**Nastavení** - V menu nastavení můžete provést změnu jazyka portálu Aquos NET+, nastavit filtr pro aplikace specifické pro vybraný jazyk a restartovat veškerá uživatelská nastavení zpět do výchozího nastavení.

**RESTART UŽIVATELSKÉHO NASTAVENÍ:** Pokud si přejete úplně restartovat všechna nastavení AQUOS NET+, musíte nejprve spustit menu

Nastavení a vybrat "Restartovat zařízení". Pomocí kurzoru vyberte ANO a restart nastavení potvrdíte stisknutím OK na dálkovém ovládacím.

**POZNÁMKA:** Abychom splnili požadavky zákazníků, naše produkty neustále zlepšujeme. V důsledku našich neustálých snah o zlepšování, přidáváme do AQUOS NET+ nové aplikace. Aplikace a obsah AQUOS NET+ se mohou změnit bez oznámení. Některé z funkcí a obsah nemusí být ve vaší zemi k dispozici.

## Sedmidenní TV program

TV program je dostupný v digitálním TV režimu. Poskytuje informace o budoucích programech (kde je to podporované digitálním kanálem). Můžete se podívat na začátek a konec všech programů a na program všech kanálů na následujících 7 dní, nastavit připomínky a naplánovat si nahrávání.

1. Stisknete [TV GUIDE]. Zobrazí se TV program na následujících 7 dní.

2. V nabídce se posouváte pomocí ▲/▼/◀/▶

**Nyní můžete:**

Nahrát vybrané televizní kanály a programy stisknutím ČERVENÉHO tlačítka\*

Nastavit si připomenutí stisknutím (ZELENÉ)

Podívejte se předchozí den stlačením (ŽLUTÉ)

Podívejte se následující den stlačením (MODRÉ)

[INFO] zobrazí detailní informace o vybraném programu.

3. Stisknutím [EXIT] ukončíte činnost se sedmidenním TV programem.

\* - **pouze pro modely s funkcí nahrávání**

## USB nahrávání - Digitální režim\*

V televizoru je vestavěné nahrávací zařízení USB. Pokud je použita ve spojení s kompatibilním paměťovým zařízením USB nebo s pevným diskem USB, je tato funkce dostupná v režimu Digital. Výhody jsou následující:

- Zastavte aktuální vysílání TV, poté si jej přehrajte, rychle přejděte dopředu nebo dozadu (k vysílání TV)
- Nahrávání jedním tlačítkem, pokud se rozhodnete, že chcete nahrát aktuální program
- Snadné programovatelné nahrávání ze sedmidenního TV průvodce Vzhledem k vlastnostem výrobku je potřebné použít vysokorychlostní paměťové zařízení USB (Vzhledem k tomu, že TV současně čte a zapisuje na paměťové zařízení, některá paměťové zařízení mohou být nevhodná). Minimální specifikace – paměťové zařízení USB
  - **Rychlost čtení** - 20 Mb/s (Mega Bytů za sekundu)
  - **Rychlost zápisu** - 6 Mb/s (Mega Bytů za sekundu)

## Zastavení aktuálního vysílání TV (časový posun)\*

Zastavení živého televizního vysílání je velmi snadné.

Stisknete tlačítko play/pause, obraz televizoru se zastaví a spustí se nahrávání aktuálního obsahu. Abyste obnovili sledování, stisknete opět play/pause.

Stisknete rychlé posunutí dopředu a přejděte vpřed v nahrávání (tj. vynechte reklamy)

Stisknete rychlé převinutí abyste se při nahrávání vrátili zpět (tj. pokud jste se rychle posunuli příliš daleko)

**TIP:** Když přepnete televizor do pohotovostního režimu, nebo změníte kanál je vymazáná paměť časový posun (časové zpoždění). Znovu spustit, je třeba stisknout tlačítko přehrát/pozastavit TimeShift vyrovnávací.

## Nahrávání jedním tlačítkem

Kdykoli se rozhodnete nahrát aktuálně sledovaný kanál. Pokud tak chcete učinit, stisknete tlačítko [REC].

**TIP:** Televizor obsahuje jeden TV přijímač, proto může nahrát jen kanál, který sledujete nebo nahrát kanál dokud je televizor v pohotovostním režimu.

**POZNÁMKA:** Nahrávací funkce USB je dostupná pouze v TV režimu Digital. Kvůli autorskému právu a ilegálnímu kopírování/nahrávání

nelze nahrávat na/z jiného vstupního/výstupního zdroje.

\* - pouze pro modely s funkcí nahrávání

## HDR (High Dynamic Range)

Video HDR odstraňuje některá omezení standardního video signálu a zobrazuje obraz vytvořený širším rozsahem barev a jasů.

### POZNÁMKY:

- Je-li zjištěn signál HDR, funkce HDR se aktivuje automaticky, za předpokladu, že HDMI EDID je v menu „MOŽNOSTI“ nastaveno na „Rozšíření“.
- Tato televize dokáže zobrazit obsah HDR prostřednictvím vstupů HDMI nebo USB.
- Pokud jste připojeni prostřednictvím jednoho z portů HDMI, externí zařízení musí rovněž podporovat HDR, HDMI2.0 a přehrávat masterovaný obsah HDR.
- Toto zařízení nepodporuje obsah HDR z vestavěných aplikací jako je Netflix nebo YouTube.

## Informační list výrobku

Ochranná známka	
Model	LC-50UI7222E LC-50UI7322E LC-50UI7422E
Třída energetické účinnosti	A+
Viditelná úhlopříčka obrazovky	50" / 127cm
Spotřeba energie během režimu	70,0 W
Roční spotřeba elektrické energie*	102 kWh
Spotřeba elektrické energie v pohotovostním režimu**	<0,50 W
Spotřeba elektrické energie ve vypnutém stavu	N/A
Rozlišení obrazovky	3840 (H) x 2160 (V)

\* - Spotřeba elektrické energie XYZ kWh za rok vycházející ze spotřeby elektrické energie televizního přijímače, který je v provozu 4 hodiny denně po dobu 365 dní. Skutečná spotřeba elektrické energie závisí na způsobu použití televizního přijímače.

\*\* - Když je televizor vypnutý dálkovým ovladačem a není aktivní žádná funkce.

## Dôležité bezpečnostné pokyny



**Prečítajte si prosím tieto pokyny. Pred používaním zariadenia by ste si mali prečítať celé bezpečnostné a prevádzkové pokyny.**

**Aby ste zabránili šíreniu požiaru, nikdy sa k tomuto výrobku nepribližujte so sviečkou alebo iným otvoreným ohňom.**



- Televízory s uhlopriečkou 43" alebo viac musia zdvíhať aspoň dvaja ľudia.
- Tento TV neobsahuje žiadne časti opraviteľné užívateľom. V prípade poruchy kontaktujte výrobcu alebo autorizovaného servisného technika. Dotyk s určitými časťami vo vnútri TV môže ohroziť váš život. Záruka sa nevzťahuje na škody spôsobené opravou neautorizovaným personálom.
- Neodstraňujte zadnú časť prístroja!
- Tento prístroj je navrhnutý na príjem a reprodukciu signálu videa a zvuku. Akékoľvek iné použitie je prísne zakázané.
- Na odpojenie televízora zo zásuvky odpojte zástrčku zo zásuvky.
- Ak je napájací kábel poškodený, musí byť nahradený výrobcom, jeho servisným technikom alebo podobne kvalifikovanou osobou, aby nedošlo k úrazu.
- Ideálna vzdialenosť na sledovanie televízie je približne päťnásobok uhlopriečky obrazovky. Svetlo dopadajúce na obrazovku z iných zdrojov svetla môže spôsobiť odrazy a zhoršenie kvality obrazu.
- Zaisťte pre TV dostatočné vetranie a nedávajte ho príliš blízko k iným zariadeniam alebo k častiam nábytku.
- Aby bola zabezpečená dostatočná ventilácia, okolo zariadenia musí byť minimálna vzdialenosť 5 cm.
- Uistite sa, že ventilačné otvory nie sú zakryté vecami ako sú noviny, záclony či utierky a pod.
- TV je navrhnutá tak, aby fungovala v miernej klíme.
- Nevystavujte TV kvapkajúcej alebo striekajúcej kvapaline.
- TV je navrhnutá tak, aby fungovala výhradne v suchom prostredí. Ak používate TV vonku, prosím uistite sa, že je chránená proti vlhkosti (dážď, šplachajúca voda). Nikdy ju nevystavujte vlhkosti.
- Nedávajte na televízor žiadne predmety a nádoby naplnené kvapalinami, ako sú vázy, atď. Tieto nádoby by sa mohli prevrátiť, a voda by sa mohla dostať do prístroja a spôsobiť skrat. Postavte prístroj výhradne na rovné a stabilné povrchy. Nepokladajte žiadne predmety, ako sú noviny alebo deky, atď. na alebo pod prístroj.
- Neumiestňujte prístroj v blízkosti vykurovacích telies alebo na miesta s priamym slnečným žiarením, pretože to má negatívny vplyv na chladenie zariadenia. Akumulované teplo je pre zariadenie nebezpečné a môže vážne znížiť jeho životnosť. V záujme zabezpečenia bezpečnosti prístroja, požiadajte kvalifikovanú osobu na odstránenie nečistôt z prístroja.
- Pokúste sa predísť poškodeniu napájacieho kábla a sieťového adaptéra (ak je súčasťou balenia). Prístroj môže byť pripojený iba pomocou príslušeného sieťového kábla / adaptéra.
- Búrky sú nebezpečné pre všetky elektrické spotrebiče. V prípade zasiahnutia elektrickej siete alebo anténneho rozvodu bleskom, môže dôjsť k poškodeniu zariadenia, aj keď je vypnuté. Preto by ste mali odpojiť všetky káble a konektory prístroja pred búrkou.

- Na čistenie obrazovky spotrebiča používajte iba vlhkú a mäkkú handričku. Používajte iba čistú vodu, nepoužívajte saponáty a rozpúšťadlá.
- Umiestnite televízor v blízkosti steny tak, aby sa zabránilo možnosti jeho pádu.
- VÝSTRAHA – Nikdy nedávajte televízor na nestabilné miesto. Televízor by mohol spadnúť a spôsobiť vážne poranenie osôb alebo smrť. Mnohým poraneniam (najmä deťom) môžete zabrániť pomocou aplikácie jednoduchých opatrení, ako napríklad:
  - Používajte skrinky alebo podstavce, ktoré odporúča výrobca televízora.
  - Používajte iba taký nábytok, na ktorý je bezpečné dávať televízor.
  - Zaisťte, aby televízor nepresahoval cez okraj nábytku.
  - Nedávajte televízor na vysoký nábytok (napríklad skrine alebo knižnice) bez toho, aby ste ukotvili nábytok a televízor k vhodnej opore.
  - Nedávajte televízor na tkaninu alebo iné materiály, ktoré sa môžu nachádzať medzi televízorom a podporným nábytkom.
- Poučte deti o nebezpečenstvách štvieraní sa na nábytok s cieľom dosiahnuť na televízor alebo jeho ovládanie.
- Zaisťte, aby sa deti neštvierali ani nevedeli na televízor.
- Ak si uchováte a premiestnite súčasný televízor, mali by ste aplikovať rovnaké opatrenia, ako sú uvedené vyššie.
- Nižšie uvedené pokyny predstavujú bezpečnejší spôsob zaistenia televízora montážou na stenu tak, aby sa zamedžilo možnosti jeho pádu. Tým sa zabráni možnému zraneniu a jeho poškodeniu.
- Pre tento typ inštalácie budete potrebovať fixačný drôt.
  - A) Pomocou jedného / oboch horných montážnych otvorov určených pre montáž na stenu a skrutiek (skrutky sú dodávané priamo v montážnych otvoroch) pripievňte koniec držiaku na televízor.
  - B) Druhý koniec držiaku pripievňte na stenu.
- Softvér na vašom televízore a OSD rozloženie môžu byť zmenené bez predchádzajúceho upozornenia.
- Poznámka: Pri elektrostatickom výboji (ESD) môže prístroj zobrazíť nesprávnu funkciu. V takom prípade vypnite a znova zapnite televízor. Televízor bude fungovať normálne.

### Upozornenie:

- Nepoužívajte televízor priamo po vybalení. Pred jeho použitím počkajte, kým sa televízor zahreje na izbovú teplotu.
- Nikdy nepripájajte externé zariadenie k zapnutému spotrebiču. Vypnite nielen televízor, ale aj zariadenia, ktoré sú k nemu pripojené! Zapojte zástrčku do zásuvky až po pripojení externých zariadení a antény!
- Zaisťte voľný prístup k sieťovej zástrčke zariadenia
- Zariadenie nie je určené pre použitie ako počítačový monitor na pracovisku.
- Dlhodobé použitie slúchadiel pri vysokej hlasitosti môže viesť k nevratnému poškodeniu sluchu.
- Zabezpečte správnu likvidáciu zariadenia a všetkých komponentov vrátane batérií s ohľadom na životné prostredie. V prípade pochybností, kontaktujte prosím svoj miestny úrad pre podrobnosti ohľadom recykliácie.
- Pri inštalácii zariadenia, nezabudnite, že povrchy nábytku môžu byť ošetrované rôznymi povrchovými úpravami, lakmi, leštiadlami atď. Látky obsiahnuté v týchto produktoch môžu spôsobiť zničenie materiálu stola zariadenia. To môže mať za následok prilepenie stojanu na povrchu nábytku, ktorý je ťažké alebo nemožné odstrániť.
- Obrazovka televízora spĺňa najprísnejšie požiadavky na kvalitu a bola niekoľkokrát dôkladne kontrolovaná na výskyt chybných bodov. Vzhľadom k technologickým vlastnostiam výrobného procesu, nie je možné odstrániť existenciu malého počtu chybných bodov na obrazovke na 100% (aj pri maximálnej starostlivosti počas výroby). Tieto chybné pixely nie sú považované za chybu zariadenia v zmysle záručných podmienok, pokiaľ ich počet nie je vyšší ako hranica vymedzená DIN normou.
- Výrobca nenesie právnu zodpovednosť za problémy súvisiace so zákaznickým servisom týkajúce sa obsahu alebo služieb tretích strán. Všetky otázky, komentáre alebo požiadavky súvisiace so servisom

týkajúce sa obsahu alebo služieb tretích strán by ste mali dávať priamo poskytovateľovi príslušného obsahu alebo služieb.

- Existuje celý rad dôvodov, prečo nemôžete prístupovať k obsahu alebo službám zo zariadenia, ktoré nesúvisia so samotným zariadením, vrátane (ale nie iba) výpadok napájania, pripojenia k Internetu alebo chybe pri konfigurácii zariadenia. Spoločnosť Universal Media Corporation, jej riaditeľ, úradníci, zamestnanci, zástupcovia, dodávateľa a pobočky nenesú zodpovednosť voči vám ani žiadnej tretej strane s ohľadom na takéto chyby alebo výpadky údržby bez ohľadu na príčinu alebo či sa tomu dalo predísť.
- Všetok obsah alebo služby tretích strán prístupné cez toto zariadenie sa poskytujú v „aktuálnom stave“ a „podľa dostupnosti“ a spoločnosť Universal Media Corporation a jej dcérske spoločnosti vám nedávajú žiadnu záruku ani pre vás nedávajú žiadne vyhlásenie, či už výslovné alebo predpokladané, vrátane (bez obmedzenia na) akýchkoľvek záruk obchodovateľnosti, neporušenia, vhodnosti na konkrétny účel alebo vrátane akýchkoľvek záruk vhodnosti, dostupnosti, presnosti, úplnosti, bezpečnosti, názvu, užitočnosti, nedostatku nedbanlivosti, absencie chýb, určenia na nepretržitú prevádzku alebo používania obsahu alebo služieb poskytovaných pre vás, alebo že obsah alebo služby budú spĺňať vaše požiadavky alebo očakávania.
- Spoločnosť „Universal Media Corporation“ nie je zástupcom a nenesie žiadnu zodpovednosť za konanie alebo opomenutie prevádzkovateľa obsahu alebo služieb tretích strán, ani akéhokoľvek aspektu obsahu alebo služby súvisiacej s takým poskytovateľom z tretej strany.
- V žiadnom prípade nebude spoločnosť „Universal Media Corporation“ a/alebo jej dcérske spoločnosti niesť zodpovednosť voči vám ani žiadnej tretej strane za žiadne priame, nepriame, zvláštne, náhodné, trestné, následné alebo iné škody, bez ohľadu na to, či teória zodpovednosti je založená na zmluve, delikte, nedbalosti, porušení záruky, prísnej zodpovednosti alebo inak, a či spoločnosť Universal Media Corporation a/alebo jej dcérske spoločnosti boli upozornené na možnosť vzniku takýchto škôd.

### Dôležité informácie, týkajúce sa použitia videohriev, počítačov, špeciálnych tuitokov alebo iného zobrazenia nepohyblivých obrázkov.

- Nadmerné používanie programových materiálov s nepohyblivým obrázkom môže spôsobiť permanentný „tieňový obraz“ na LCD paneli (niekedy nesprávne označovaný ako “vypálený obraz”). Tento obrázok na pozadí je pri normálnych programoch viditeľný vo forme stacionárneho nepohyblivého obrázka. Tento typ nevratného poškodenia LCD/LED panelu sa dá obmedziť dodržaním nasledovných krokov:
- Znížením nastavenia jasú/kontrastu na minimálnu sledovateľnú úroveň.
- Nezobrazovaním nepohyblivého obrázku po dlhú dobu. Vyhnite sa zobrazovaniu:
  - » Zobrazenie času a stacionárnych stránok Teletextu
  - » TV/DVD menu, napr. Zoznamy obsahov DVD disku
  - » Režim pauzy: Neponechávajte TV v režime pauzy po dlhú dobu, napr. pri sledovaní DVD alebo videa.
  - » Vypnutím prístroja ak ho nepoužívate

### Batérie

- Pri vkladaní batérií dodržiavajte správnu polaritu.
- Nevystavujte batérie vysokým teplotám a nenechávajte ich na miestach, kde by teplota mohla prudko vzrásť, napr. v blízkosti ohňa alebo na priamom slnku.
- Nevystavujte batérie nadmernému sálavému teplu, nehádzte ich do ohňa, nerozoberajte ich, a nepokúšajte sa nabíjať nenabíjateľné batérie. Mohli by vytiecť alebo explodovať.
  - » Nepoužívajte spolu rôzne typy batérií, ani nemiešajte staré batérie s novými.
  - » Batérie likvidujte spôsobom priateľským k životnému prostrediu.
  - » Vo väčšine krajín EÚ je spôsob likvidácie batérií regulovaný.



### Likvidácia

- Elektrické a elektrotechnické zariadenia a batérie sa nesmú likvidovať s domácim odpadom. Vráťte ich na určené zberné miesto pre recykláciu OEEZ. Týmto prispievate k šetreniu zdrojov a ochrane životného prostredia. Kontaktujte vášho predajcu alebo miestne úrady pre viac informácií.



### Prehlásenie CE:

- Týmto spoločnosť UMC Poland Sp. z o.o. prehlasuje, že tento LED televízor spĺňa základné požiadavky a iné dôležité opatrenia smernice RED 2014/53/EU. Úplné znenie vyhlásenia o zhode EÚ je k dispozícii na stránke <https://www.sharpconsumer.eu/documents-of-conformity/>.

### Ochranné známky

- Výrazy ako HDMI, HDMI High-Definition Multimedia Interface a logo HDMI sú ochranné známky alebo registrované ochranné známky spoločnosti HDMI Licensing, LLC v USA a v iných krajinách.
- Logo „DIGITALEUROPE UHD Display“ je ochranná známka spoločnosti DIGITALEUROPE.
- DVB logo je registrovaná ochranná známka Digital Video Broadcasting - DVB - projektu.
- Vyrobené na základe licencie od spoločnosti Dolby Laboratories. Dolby, Dolby Audio a dvojitý symbol D sú obchodné značky spoločnosti Dolby Laboratories.
- Patenty DTS sú pozrite na lokalite <http://patents.dts.com>. Vyrobené na základe licencie spoločnosti DTS Licensing Limited. Nápis DTS, symbol a nápis DTS spolu so symbolom sú registrované ochranné známky. DTS Studio Sound je ochranná známka spoločnosti DTS, Inc. © DTS, Inc. Všetky práva vyhradené.
- YouTube a logo YouTube sú ochranné známky spoločnosti Google Inc
- Logo Wi-Fi CERTIFIED je certifikačná značka združenia Wi-Fi Alliance.
- Wi-Fi CERTIFIED Miracast a Miracast sú ochranné známky združenia Wi-Fi Alliance.
- DLNA, logo DLNA a DLNA CERTIFIED sú ochranné známky, servisné známky alebo certifikačné značky združenia Digital Living Network Alliance.
- Harman Kardon je ochranná známka spoločnosti HARMAN International Industries, Incorporated registrovaná v USA a/alebo iných krajinách.

## Čo sa nachádza v balení

### Balenie obsahuje nasledovné súčasti:

- |  |                                |
|--|--------------------------------|
| • 1x TV  | • 1x Inštalčná sada stojanu TV |
| • 1x Dialkové ovládanie  | • 1x Návod na obsluhu          |
| • 2x AAA batérie   |                                |
| • 1x súprava montáže na stenu (4x skrutky M6x35 a 4x plastová rozpera) |                                |

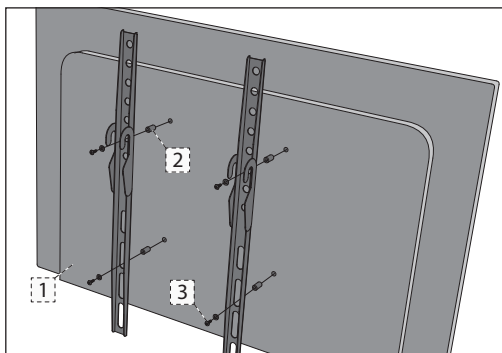
## Montáž stojanu

Prosím, riadte sa inštrukciami na poslednej strane tohto návodu na obsluhu.

## Montáž televízora na stenu

1. Odstráňte štyri skrutky, ktoré sú dodané v otvoroch montáže na stenu.
2. Držiak na upevnenie na stenu môžete teraz jednoducho pripojiť k otvorom na montáž v zadnej časti televízora.
3. Nainštalujte držiak na montáž na stenu na televízor tak, ako to odporúča výrobca držiaka.

Pri montáži nástenných konzol na model 50" odporúčame namiesto skrutiek dodaných v otvoroch na montáž TV na stenu použiť dlhšie skrutky a rozpery dodané v baliku s príslušenstvom. Dajte rozpery do otvorov na montáž TV na stenu, ktoré sa nachádzajú v zadnej časti TV, potom na ne dajte nástenné konzoly. Pripojte konzoly a rozpery k TV pomocou dlhších skrutiek tak, ako je to zobrazené nižšie:



1. TV
2. ROZPERA
3. SKRUTKA

**POZNÁMKA:** TV a typ nástennej konzoly zobrazené na diagrame slúžia len na ilustráciu.

## Začíname – počítaččné nastavenie

1. Pomocou VF kábla pripojte televízor k zásuvke televíznej antény.
2. Na pripojenie k Internetu pomocou káblového pripojenia pripojte ethernetový kábel kategórie 5 (nie je v balení) z televízora k širokopásmovému modemu/smerovaču.
3. Pripojte napájací kábel k zadnej časti televízora a potom ho pripojte k elektrickej zásuvke.

4. Dodané batérie vložte do diaľkového ovládača.
5. Následne stlačte Standby tlačidlo pre spustenie TV.
6. Privíta vás obrazovka **Úvodných nastavení**. Ak sa nezobrazí, stlačte prosím na diaľkovom ovládači [MENU] a potom 8-8-8 a menu sa zobrazí. Ak chcete zmeniť akékoľvek predvolené nastavenie, použite tlačidlá pre ▲/▼/◀/▶ navigáciu. Menu môžete kedykoľvek opustiť stlačením tlačidla [EXIT].
7. **Prosím, upravte si nasledovné položky v obrazovke ÚVODNÝCH NASTAVENÍ.**

**KROK 1** – Nastavte jazyk ponuky televízora.

**KROK 2** – Nastavte svoju krajinu.

**KROK 3** – Nastavte typ pripojenia k sieti. Ak chcete preskočiť tento krok a pripojiť televízor k sieti neskôr, zvolte voľbu Preskočiť nastavenie siete.

**KROK 4** – Vyberte miesto, kde sa nachádza televízor. Na použitie doma vyberte voľbu Doma. Na režim predvádzania v obchode nastavte voľbu Obchod.

**KROK 5** – Zvoľte, či váš televízor má podstavec alebo je upevnený na stenu. Televízor pre vybratú voľbu nastaví optimálne nastavenia zvuku.

**KROK 6** – Zvoľte zdroj vstupu, ktorý chcete použiť. Ak máte VF kábel pripojený priamo k televízoru, vyberte voľbu DTV. Ak máte k svojmu televízoru pripojený priamo satelit, vyberte voľbu DVB-S\*. Ak používate set-top-box, vyberte správny vstup TV, ku ktorému je pripojený.
8. Ak ste v poslednom kroku vybrali voľbu DTV alebo DVB-S2, televízor sa vás pýta, či chcete ladiť kanály. Ak vyberiete „Nie“, kanály môžete ladiť neskôr z ponuky NASTAVENIA/KANÁL. Ak vyberiete „Áno“, zobrazí sa ponuka ladenia.
 

**Ladenie digitálnej televízie (DTV):** V ponuke Zdroj signálu vyberte typ signálu, ktorý máte. pozemný (DVB-T) alebo káblový (DVB-C). Potom zadajte Automatické ladenie a nastavte požadované nastavenia. Na začatie ladenia kanálov zvolte opäť voľbu Automatické ladenie.

**Ladenie satelitu (DVB-S2):** Zadajte Automatické ladenie a zadajte Satelit. V tejto ponuke môžete vybrať rôzne satelity. Stlačením tlačidla OK na diaľkovom ovládači vyberte satelit, ktorý chcete ladiť. Potom sa stlačením tlačidla BACK (SPÄT) na diaľkovom ovládači vráťte do predchádzajúcej ponuky a na začatie ladenia kanálov vyberte voľbu Automatické ladenie.

**POZNÁMKA:** Na skrátenie doby ladenia satelitných kanálov je v niektorých krajinách predinštalovaný zoznam kanálov najpopulárnejšieho satelitu v danom regióne. V takom prípade sa váš televízor opýta, či chcete načítať predinštalovaný zoznam kanálov. Ak zvolíte „Áno“, za niekoľko sekúnd sa do vášho televízora importuje zoznam satelitných kanálov.

**TIP:** Ak vám chýbajú kanály, dôvodom je pravdepodobne sila signálu, mali by ste zvážiť pripojenie zosilňovača signálu a znova naladiť TV.

## Diaľkové ovládač

1. **⏻ STANDBY** – Prepnutie TV do pohotovostného režimu a naopak.
2. **🔇 MUTE** – Stlmenie zvuku.
3. **0 – 9** – priama voľba TV kanálu.
4. **TV GUIDE** – Otvára 7-dňový TV program (Digitálny režim).
5. **↺** – Návrat na predchádzajúci sledovaný kanál.
6. **PICTURE** – Výber režimu obrazu.
7. **VOL ▲/▼** – Zvýšenie/zníženie úrovne hlasitosti.
8. **CH ▲/▼** – Zvýšenie alebo zníženie sledovaného kanála.
9. **SOUND** – Výber režimu zvuku.
10. **SOURCE** – Zobrazenie menu vstupov.
11. **MENU** – Zobrazenie OSD menu
12. **EXIT** – Opustenie všetkých menu.
13. **(▲/▼/◀/▶/OK)** – Umožňuje vám prechádzať cez menu a upraviť systémové nastavenia podľa vašich preferencií.
14. **BACK** – Späť na predchádzajúce menu.
15. **FAV** – Zobrazenie menu obľúbených položiek

16. **INFO** – Stlačte raz pre informáciu o aktuálnom/nasledujúcom kanáli. Stlačte dvakrát pre informácie a programové informácie o aktuálnom programe.
17. **TEXT** – Teletext režim - Zobrazenie teletextu.
18. **SUBTITLE** – Zapnúť/Vypnúť dialóg na spodnej časti obrazovky.
19. **TV** – Prepnutie do Digitálneho TV vstupu.
20. **YouTube** – Zobrazuje aplikáciu YouTube.
21. **NETFLIX** – Zobrazuje aplikáciu NETFLIX
22. **NET+** – Zobrazuje menu AQUOS NET+.
23. **Rec¹** – nahrávanie PVR.
24. **⏮** – Opakované spustenie aktuálnej kapitoly.
25. **⏭** – Posunutie dopredu na ďalšiu kapitolu.
26. **■** – Zastavenie prehrávania.
27. **Rec List¹** – Otvorí zoznam nahrávok.
28. **⏪** – Prevíjanie späť
29. **⏩** – Prevíjanie vpred
30. **⏸** – Prehrávanie/pauza
31. **FAREBNÉ TLAČIDLÁ** – ďalšie funkcie v teletexte a TV menu







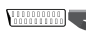







¹ - k dispozícii len pre PVR funkciu

3. Stlačením [SOURCE] zmeníte vstup/zdroj na zvolený.
- b2) Používanie tyčky\* ovládania televízora:**
1. Krátkym stlačením tyčky ovládania prejdite do ponuky.
  2. Stlačte tyčku ovládania dole a prejdite kurzorom na ponuku SOURCES (ZDROJE).
  3. Krátkym stlačením tyčky ovládania prejdite do ponuky SOURCES (ZDROJE).
  4. Pomocou tyčky ovládania vyberte požadovaný vstup/zdroj.
  5. Krátkym stlačením tyčky ovládania zmeníte vstup/zdroj na vybraný vstup/zdroj.

\* - **voliteľné**

## Pripojenia

Typy konektorov, ktoré sú k dispozícii pre rôzne modely nájdete v tabuľke na stránke 96.

	<b>USB</b> USB 2.0 Vstup 1, 2; USB 3.0 Vstup 3
	<b>HDMI 1, 2 (ARC), 3 in</b> HDMI2.0 Vstup 1, 2, 3
	<b>Čítačka SD kariet</b> SD karta Vstup
	<b>R/L - Video &amp; YPbPr audio In</b> Komponent / Video audio vstup
	<b>Video (CVBS)</b> VIDEO vstup
	<b>Component/YPbPr</b> Komponent HD vstup
	<b>SCART</b> SCART vstup
	<b>CI Card IN</b> CI vstup
	<b>RF In</b> RF/TV Vstup TV Antény
	<b>Sat In</b> Satelitný vstup
	<b>Digital Optical Audio Out</b> Digitálny optický audio výstup
	<b>RJ 45</b> Ethernet/LAN
	<b>HEADPHONES</b> 3.5mm slúchadlový výstup
	<b>D-link</b> len servisný vstup

## TV tlačidlá\*

**VOL+** Zvýšenie hlasitosti a menu doprava

**VOL-** Zníženie hlasitosti a menu doľava

**CH+** Program/Kanáľ nahor a menu nahor

**CH-** Program/Kanáľ nadol a menu nadol

**MENU** Zobrazenie Menu/OSD

**SOURCE** Zobrazí menu vstupov

**STANDBY** Pohotovostné zapnutie / vypnutie

\* - **pre televízor s tlačidlami**

## Tyčka\* ovládania televízora

Tyčka ovládania televízora sa nachádza v ľavom dolnom rohu na zadnej strane televízora. Môžete ju použiť namiesto diaľkového ovládača na ovládanie väčšiny funkcií televízora.

**Keď je televízor v pohotovostnom režime:**

- krátke stlačenie tyčky ovládania – zapnutie

**Počas sledovania televízora:**

- DOPRAVA/DOLAVA – zvýšenie/zníženie hlasitosti
- HORE/DOLE – zmena kanála hore/dole
- krátke stlačenie – zobrazenie ponuky
- dlhé stlačenie – zapnutie pohotovostného režimu

**Keď ste v ponuke:**

- DOPRAVA/DOLAVA/HORE/DOLE – navigácia kurzora v ponukách na obrazovke
- krátke stlačenie – OK/Potvrdenie vybranej položky
- dlhé stlačenie – späť na predchádzajúcu ponuku

\* - **pre televízor s tyčkou ovládania**

## Voľba režimu vstup/zdroj

Prepínanie medzi rôznymi vstupmi / pripojeniami.

**a) Použitím tlačidiel na diaľkovom ovládači:**

1. Stlačte [SOURCE] – Zobrazí sa menu vstupov.
2. Stlačením [◀] alebo [▶] si vyberiete požadovaný vstup.
3. Stlačte [OK].

**b1) Použitím tlačidiel\* na televízore:**

1. Stlačte [SOURCE].
2. Posúvanie nahor / nadol pomocou tlačidiel VOL+/VOL- na požadovaný vstup/zdroj

## TV menu navigácia

Do menu sa dostanete stlačením tlačidla [MENU] na diaľkovom ovládači. Do ponuky sa dostanete stlačením [OK]. Ak chcete zmeniť akékoľvek predvolené nastavenie, použite tlačidlá pre ▲/▼/◀/▶ rolovanie. Akékoľvek nastavenie potvrdíte tlačidlom [OK]. Menu môžete kedykoľvek opustiť stlačením tlačidla [EXIT].

## Netflix

Popredná svetová internetová televízna sieť. Ponúka tisíce filmov a televíznych programov vrátane pôvodných seriálov, dokumentov a filmov. Členovia môžu prehrávať, pozastaviť a obnoviť prehrávanie, a to bez reklám alebo záväzkov. K tejto aplikácii sa môžete prihlásiť pomocou svojho existujúceho konta Netflix. Ak ešte nemáte konto Netflix, môžete sa zaregistrovať pomocou tejto aplikácie alebo pomocou oficiálnej webovej lokality Netflix.

## YouTube

Aplikácia na zdieľanie videí vám umožní objaviť a sledovať originálne videá.

**POZNÁMKA:** Ak chcete, aby správne fungovala aplikácia Youtube, musíte v televizore nastaviť správny dátum a čas. Ďalšie informácie o nastavení dátumu/času v televizore nájdete v kapitole o ponuke ČAS tohto návodu na použitie. Uistite sa, že vaša sieť neblokuje prístup k YouTube a že rýchlosť vášho internetového pripojenia je dostatočne rýchla na pozeranie obsahu YouTube.

## Ďalšie aplikácie

Obsahuje najčastejšie používané aplikácie na rýchly a jednoduchý prístup. **AQUOS NET+** - Otvorí portál Sharp SMART.

**Počasia** - aplikácia na predpoveď počasia AccuWeather.

**Prehliadač** - aplikácia na sprístupnenie webových lokalít prostredníctvom internetu. Navigácia v prehliadači:

- **CH+** - posunúť o stranu hore
- **CH-** - posunúť o stranu dole
- **Červené tlačidlo** - zobrazí/skryje panel s ponukami prehliadača
- **Žlté tlačidlo** - priblíženie
- **Modré tlačidlo** - oddialenie

## Zdroj

V tejto ponuke môžete prepnúť svoj vstupný signál televízora na rôzny zdroj/pripojené zariadenie.

## Média

**USB** - Multimediálny režim ponúka prehrávanie rôzneho obsahu uloženého na pamäťovom kľúči USB. Obsah sa rozdelí do rôznych typov súborov: Fotografie, Hudba a Film. Keď vyberiete možnosť Súbor, táto možnosť zobrazí a umožní prehrávanie všetkých typov podporovaného obsahu.

1. Menu môžete prechádzať pomocou tlačidiel **▲/▼/◀/▶**. Ak chcete potvrdiť prehrávanie/zobrazenie položky, stlačte tlačidlo [OK].
2. Počas zobrazenia obsahu môžete pomocou tlačidiel na diaľkovom ovládači ovládať režim prehrávania alebo môžete vyvolať navigačné menu prehrávania, vybrať tlačidlá na obrazovke **▲/▼/◀/▶** a [OK]

**POZNÁMKA:** Neodporúča sa používanie USB predlžovacích káblov, keďže môžu spôsobiť zníženie kvality obrazu/zvuku a zastavovanie prehrávania USB obsahu.

**Miracast\*** - Umožňuje vám zobrazíť obsah z vášho smartfónu alebo tabletu na obrazovke televízora. Bezdrôtové pripojenie sa vytvára pomocou Wi-Fi Direct, takže nie je potrebný prístup k sieti Wi-Fi. Môžete zdieľať obsah zo svojho smartfónu alebo tabletu s operačným systémom Android 4.4 a novším systémom.

**Mediálny server** - Automaticky vyhľadá digitálne mediálne servery (DMS) pripojené k vašej domácej sieti a umožňuje prehrávanie a vykreslenie obsahu z mediálnych serverov.

\* - Táto funkcia je dostupná iba pre vybrané smartfóny a notebooky.

## Obraz

**Režim obrazu** - Môžete si vybrať z nasledovných predvolených nastavení

- **Štandardný** - Predvolené nastavenie
- **Film** - Nastavte na svetlejšie farby a menej jas.
- **Užívateľský** - Umožňuje vám manuálne meniť všetky nastavenia
- **Eco** - Spotrebúva o 15% menej energie.
- **Dynamický** - Odporúčané nastavenie pre rýchle sa pohybujúci obraz

**Kontrast** - Nastavuje vyváženie medzi čiernou a bielou

**Jas** - Zvýšenie alebo zníženie jasú obrazu

**Farebná sytosť** - Zvyšuje farbu z čiernej a bielej

**Odtieň** - Umožní vám zvýšiť, alebo znížiť úroveň tónovania obrazu (len pre NTSC signál)

**Ostrosť** - Zvýšenie alebo zníženie ostrosti obrazu.

**Teplota farieb** - Vyberte si z nasledovných predvolených nastavení

- **Normálna** - Predvolené nastavenie
- **Teplá** - Zvýraznená červená farba v obraze
- **Studená** - Zvýraznená modrá farba v obraze

**Pomer strán** - Formát obrazu sa v rámci EU môže meniť

v závislosti od kanálu/vysielania. Existuje viac rozličných možností na najlepšie uspokojenie vašich potrieb.

- **Auto** - Automaticky zobrazí najlepší formát obrazu. Takže obraz je v správnej polohe. Môžu za vyskytnúť čierne čiary Na hornom/spodnom okraji a/alebo po stranách.
- **4:3** - Formát 4:3 je zobrazený v pôvodnej veľkosti. Na vyplnenie obrazovky 16:9 sú zobrazené bočné pásy
- **16:9** - Formát obrazovky s regulárnym signálom 16:9.
- **Zoom 1/2** - Obraz má správny pomer strán, ale je priblížený.
- **Bod po Bode (HDMI)** - Zobrazenie obrazu v jeho originálnom rozlíšení bez zmien.
- **Celá obrazovka** - Roztiahne obraz na celú obrazovku.

**Nastavenia pre expertov**

- **Redukcia šumu** - Filtruje a znižuje šum (interferenciu) v obraze
- **Aktívny kontrast** - Automaticky optimalizuje „podsvietenie“ a „kontrast“ obrazu podľa jasú obrazovky.
- **Podsvietenie** - Nastavenie jasú obrazovky so zvýšením/znížením podsvietenia na paneli.
- **Gamma** - Nastavenie tónov medzi svetlými a tmavými časťami obrazu.
- **Červená** - Nastavenie červených tónov obrazu.
- **Zelená** - Úprava zelených tónov obrazu.
- **Modrá** - Úprava modrých tónov obrazu.

## ZVUK

**Režim zvuku** - Môžete si vybrať z nasledovných predvolených nastavení

- **Štandardný** - Predvolené nastavenie
- **Hudba** - Zvýrazňuje hudbu voči hlasom
- **Film** - Poskytuje živší a plnší zvuk pri filmoch
- **Užívateľský** - Výber vašich osobných nastavení zvuku
- **Šport** - Zvýrazňuje zvuk pre športy
- **Ekvalizér** - Nastavuje hlasitosť rôznych zvukových frekvencií. Hladiny zvuku ekvalizéra sa dajú nastaviť iba vtedy, keď je vybraný zvukový režim „Personal“ (Osobný).

**Slúchadlá**

- **Slúchadlá + TV** - možnosť na súčasné prehrávanie zvuku z reproduktorov televízora a slúchadiel.
- **Hlasitosť** - nastavenie hlasitosti slúchadiel.

**Vyváženie** - Služí na prepínanie zvuku medzi ľavým a pravým reproduktorom.



**Auto. úroveň hlasitosti** - Pri prepnutí na "on" zostane hlasitosť na rovnakej úrovni bez ohľadu na vstup/zdroj.  
**DTS TruSurround** - Zapnutie/vypnutie efektu priestorového zvuku.

**Digitálny výstup** - Toto je digitálny Audio výstup.

Vyberte si z nasledovných možností:

- **Vyp.** - Vypnuté
- **Auto** - Automaticky zvolí najlepšie nastavenie
- **PCM** - Túto možnosť si vyberte ak ste pripojení ku Stereo Hi-Fi cez digitálny kábel (Impulzná kódová modulácia (PCM) je digitálnym zobrazením analógového signálu)

**AD prepínač** - Prídavná zvuková stopa pre zrakovu postihnutých. Dostupné len pre vybrané DTV programy.

**AD hlasitosť** - nastavenie hlasitosti prídavnej zvukovej stopy pre zrakovu postihnutých.

**Stopa zvuku** - umožňuje vám vybrať iný zvuk/ jazyk digitálnej televízie alebo média.

**Oneskorenie zvuku (ms)** - Nastavenie pre synchronizáciu obrazu a zvuku pre TV reproduktory.

**Oneskorenie digit. výstupu (ms)** - Nastavenie pre synchronizáciu obrazu a zvuku pre externé reproduktory pripojené cez digitálny audio výstup.

## NASTAVENIE

### KANÁL

**Zdroj signálu** - Výber typu DTV signálu

- **DVB-T** - Terestriálne (vzduchom šírené) vysielanie
- **DVB-C** - Káblová TV

**Automatické ladenie** - Umožní vám naladiť všetky digitálne televízne kanály, digitálne rádiové stanice a analógové kanály.

**ATV manuálne ladenie** - Umožní vám manuálne naladiť váš analógový signál.

**DTV manuálne ladenie** - Umožní vám manuálne naladiť váš digitálny signál.

**Editácia programov** - Umožní vám vymazať, preskočiť a pridať obľúbené kanály.

- **Červené tlačidlo** - odstránenie vybraného kanálu.
- **Žlté tlačidlo** - presun vybraného kanálu. Prejdite pomocou kurzora na kanál, ktorý chcete presunúť na iné miesto, a potom stlačte ŽLTÉ tlačidlo. Potom presúvajte vybraný kanál pomocou šípok HORE/DOLÉ do požadovanej pozície a stlačte opäť ŽLTÉ tlačidlo na potvrdenie novej pozície v zozname kanálov.
- **Modré tlačidlo** - preskočenie vybraného kanálu. Kanály vybrané na preskočenie sa nezobrazia po stlačení tlačidla CH+ alebo CH-.

**Informácie o signále** - Informácie o kvalite signálu

**Informácie o CI** - Služba sledovania platených programov si vyžaduje, aby do TV bola zasunutá karta, "smartcard". Ak sa prihlásite do služby platených programov, poskytovateľ vám dodá "CAM" a "smartcard". CAM potom zasunúť do konektoru COMMON INTERFACE PORT (CI Card In).

**LCN** - Zapnite LCN, ak chcete vaše nalaďené kanály zoradiť podľa preferencií vášho poskytovateľa digitálneho vysielania.

**Automatické aktualizácia kanálov** - ak zapnete túto voľbu, poskytovateľ bude pravidelne aktualizovať pozície, názvy a frekvencie kanálov. To môže spôsobiť problémy, ak ste si sami objednali kanály v zozname kanálov. V takom prípade odporúčame ponechať túto voľbu vypnutú.

**Zoznam nahrávok\*** - Zobrazí zoznam nahratých programov na USB.

**Zoznam úloh** - Zobrazí vaše upomienky programu.

**Nastavenie Satelitu** - Toto menu je k dispozícii len v režime DVB-S2.

Môžete si vybrať typ satelitu, váš transpondér, váš typ LNB, atď

**OAD (aktualizácia softvéru)** - Zapnite/vypnite aktualizácie softvéru OAD (stiahnutie vzduchom, angl. over air download).

\* - *len pre modely s funkciou nahrávania.*

### SIETĽ

**Konfigurácia siete** - Najprv budete musieť vybrať typ pripojenia. Môžete si vybrať medzi pripojením pomocou Wi-Fi alebo pomocou kábla.

**POZNÁMKA:** Na pripojenie k Internetu pomocou káblového pripojenia pripojte ethernetový kábel kategórie 5 (nie je v balení) z televízora k širokopásmovému modemu/smerovaču.

**IP nastavenie** - nastavenie pripojenia k LAN sieti

- **Auto** - Automaticky pripojí vašu TV k domácej sieti (je to predvolené nastavenie, odporúča sa nemeniť)
- **Manuál** - Dovolí vám manuálne zmeniť si IP, masku siete, bránu a DNS.

**Konfigurácia Wi-Fi** - Nastavenia bezdrôtového sieťového pripojenia

- **Automatické vyhľadanie Wi-Fi** - Automaticky vyhľadá dostupné bezdrôtové siete. Vyberte požadovaný sieť Wi-Fi a potom zadajte sieťové heslo (ak je sieť chránená heslom).

Po prijatí hesla vás už oň nebude systém žiadať.

**POZNÁMKA:** Pripojenie môže trvať niekoľko minút, buďte trpezliví. Vždy, keď sa potom televízor zapne, automaticky sa pripojí k sieti. To môže trvať chvíľu trvať.

**Informácie o sieti** - Informácie o nastaveniach siete

**Test siete** - Test pripojenia k sieti

### ČAS

**Automatická synchronizácia** - automaticky nastaví čas a dátum na televízore. Vyžaduje naladenie televízora na digitálny signál a/alebo internetové pripojenie. Ak chcete ručne nastaviť nastavenia času a dátumu, vypnite funkciu „Auto Sync“ (Automatická synchronizácia). Ak je funkcia „Auto Sync“ (Automatická synchronizácia) vypnutá a je ručne nastavený čas a dátum, po odpojení napájania televízora sa tieto informácie resetujú.

**Hodiny** - zobrazí sa dátum a čas. Hodiny môžete upraviť, keď je funkcia „Auto Sync“ (Automatická synchronizácia) vypnutá.

**Čas vypnutia** - Umožňuje vám nastaviť

konkrétny čas pre vypnutie vášho TV

**Čas zapnutia** - Umožňuje vám nastaviť konkrétny čas zapnutia vášho TV, kanál ktorý sa potom zobrazí, zdroj signálu a hlasitosť. Táto funkcia sa môže prepínať na opakovanie každý deň, alebo len pre konkrétny deň.

**Časovacie vypnutia** - Umožňuje vám nastavenie časovania vypnutia, takže televízor sa po uplynutí nastavenej doby automaticky vypne. Vypnuté -> 10min -> 20min -> 30min -> 60min -> 90min -> 120min -> 180min -> 240min

**Čas OSD** - Umožňuje nastaviť dobu, po ktorú

OSD menu zostáva na obrazovke.

**Automatické vypnutie** - Nastavenie, kedy sa má TV automaticky vypnúť po poslednom stlačení nejakého tlačidla: Vyp. -> 3h -> 4h -> 5h.

**Časové pásmo** - Zmeňte svoje aktuálne časové pásmo.

### ZÁMOK

**Zámka systému** - Zamknutie a odomknutie ponuky Zadané požadovaného 4 - miestneho hesla, zadané ukončíte stlačením tlačidla ◀. Na vymazanie použite tlačidlo ▶. Prednastavené heslo je 0000

**Nastaviť heslo** - Zmena predvoleného hesla.

**Blokovať program** - Uzamknutie zadaných televíznych kanálov.

**Rodičovská kontrola** - Uzamknutie TV kanálov podľa veku.

**Zámok tlačidiel** - umožní vám uzamknúť tyčku ovládania televízora na zadnej strane televízora.

**Zámok vstupu** - umožní vám skryť vybrané vstupy z ponuky zdrojov.

**Hotelový mód** - pokročilé nastavenia pre hotely.

### NASTAVENIE

**Jazyk** - Umožňuje vám zmeniť jazyk menu

**Jazyk zvuku** - Umožňuje zmeniť jazyk zvuku na vybraných DVB kanáloch.

**Jazyk titulkov** - Umožňuje zmeniť jazyk tituliek

na vybraných DVB kanáloch.

**Sluchové problémy** - Ak signál poskytuje podporu pre sluchovo postihnutých, stlačením tlačidla „Subtitle“ môžu byť tieto titulký zobrazené. Ak nastavíte Sluchovo postihnutí na Zap. a prepnete na kanál s podporou pre nepočujúcich, titulký pre sluchovo postihnutých sa zapnú automaticky.

**Modrá obrazovka** - Ak na vstupe nie je žiadny signál, zobrazí sa modré pozadie (dostupné len pre niektoré vstupy).

**Súborový systém PVR** - Nastavenia pre nahrávanie na USB\*

- **Vyberte disk** - Vyberte USB vstup a partíciu disku
- **Veľkosť súboru funkcie Timeshift** - Nastavte veľkosť, ktorú

sa vyhradí na USB zariadení pre funkciu Timeshift.

- **Formátovať disk** - Umožní naformátovať pripojené pamätové USB zariadenie na FAT 32 súborový systém.  
**VAROVANIE: VŠETKY DÁTA NA USB ZARIADENÍ BUDÚ ZMAZANÉ!**
- **Overenie rýchlosti** - Overenie rýchlosti pripojeného pamätového USB zariadenia.

#### \* - *len pre modely s funkciou nahrávania*

**Úvodné nastavenia** - Zobrazí menu úvodnej inštalácie.

**Aktualizácia firmware (USB)** - Z času na čas môžeme uvoľniť nový firmvér na zlepšenie činnosti televízora (je k dispozícii na stiahnutie). Toto menu vám umožní nainštalovať do televízora nový softvér/firmvér. Viac detailov o spôsobe stiahnutia bude uverejnených s firmvérom. Kontaktujte zákazníku linku alebo postupujte podľa časti "product support" (podpora produktu) na webovej stránke "www.sharp.eu/av".

**Inovácia softvéru (NET)** - Umožňuje aktualizáciu softvéru televízora cez Internet. Táto funkcia vyhľadá

nový softvér a v prípade potreby ho aktualizuje.

**POZNÁMKA:** *Televízor pri každom zapnutí automaticky vyhľadá nové vydania softvéru. Ak nájdete nový softvér, spýta sa vás, či ho chcete stiahnuť a nainštalovať. Ak vyberiete možnosť „Áno“, televízor sa inovuje na najnovší softvér.*

**VÝSTRAHA:** *Nevypínajte televízor, kým sa nedokončí inovácia!*

**Reset TV** - Obnoví výrobné nastavenia

**HDMI CEC\*** - Umožňuje ovládať zariadenia pripojené cez rozhranie HDMI pomocou diaľkového ovládania televízora.

- **Zoznam zariadení\*** - Umožňuje vám prístup do menu pripojených zariadení a ich ovládanie pomocou diaľkového ovládania televízora.
- **HDMI CEC** - aktivujte/deaktivujte funkciu HDMI CEC.
- **Automatické vypnutie\*** - Automatické zapnutie/vypnutie pripojených zariadení prostredníctvom rozhrania HDMI CEC.
- **HDMI ARC\*** - Posiela audio signál z terestriálneho/satelitného vysielania cez HDMI k AV receiveru bez použitia audio kábla, táto funkcie je k dispozícii iba pre HDMI 2 výstup.

\* - **HDMI CEC musí byť podporované pripojeným zariadením.**

**HDMI EDID** - vysiela charakteristiky televízora (rozlíšenie, podpora zvuku a pod.) priamo do zariadení pripojených pomocou HDMI. Táto položka vám umožňuje prepínať režim vybratého vstupu HDMI medzi režimom HDMI a HDMI2.0.

- **Štandard** - odporúča sa, ak je televízor pripojený k zariadeniu pomocou výstupu HDMI 1.4 alebo nižšieho, napríklad k prehrávaču diskov Blu-Ray s rozlíšením Full HD, k prehrávaču diskov DVD alebo k hernej konzole.
- **Vylepšenie** - odporúča sa, ak je televízor pripojený k zariadeniu pomocou výstupu HDMI 2.0, napríklad k prehrávaču diskov Blu-ray s rozlíšením 4K alebo k modernému počítaču.

**Stav LED** - Umožňuje užívateľovi zapnúť/vypnúť LED diódu indikujúcu stav TV. (Ak je nastavený na Vyp., LED preblikne počas používania diaľkového ovládača).

**HbbTV** - umožňuje používateľovi zapnúť/vypnúť HbbTV. Ak chcete použiť HbbTV, televízor musí byť pripojený k Internetu a sledovaný kanál musí podporovať službu HbbTV.

**Verzia softvéru** - Zobrazí súčasnú verziu softvéru v TV.

**Úprava zdroja** - pomocou tejto voľby môže používateľ manuálne premenovať položky v zozname zdrojov vstupu. Napríklad môžete premenovať vstupy na názvy pripojených zariadení.

potvrdiť prehrávanie/zobrazenie položky, stlačte tlačidlo [OK]. Pre presun o jeden krok stlačte tlačidlo [Menu] a pre prístup k ďalším funkciám použite farebné tlačidlá. Ak chcete ukončiť menu AQUOS NET+, stlačte tlačidlo [EXIT] (UKONČIŤ).

**Domov** - Domovská obrazovka s odporúčanými filmami a nedávno otvorenými aplikáciami

**Všetky aplikácie** - Otvorí zoznam dostupných aplikácií

**Filmy** - Otvorí zoznam dostupných filmov

**Televizija šou** - Otvorí zoznam dostupných televíznych šou

**Hudba** - Otvorí zoznam dostupnej hudby a hudobných videí

**Hry** - zoznam hier a aplikácií súvisiacich s hraním.

**Šport** - zoznam aplikácií súvisiacich so športom.

**Novinky** - zoznam aplikácií pre novinky.

**Vyhľadať** - vyhľadávanie aplikácie pomocou zadania jej názvu alebo časti názvu.

**Moje aplikácie** - po pridaní aplikácií do zoznamu „Moje aplikácie“ budete mať rýchly prístup k svojim obľúbeným aplikáciám. Ak chcete pridať aplikáciu do zoznamu, jednoducho označte lubovoľnú aplikáciu a stlačte zelené tlačidlo. Tá sa potom zobrazí vo vašom zozname „Moje aplikácie“.

Ak chcete odstrániť nechcenú aplikáciu zo zoznamu „Moje aplikácie“, musíte označiť aplikáciu, ktorú chcete zmazať, a stlačiť ZELENÉ tlačidlo.

**Nastavenia** - V ponuke nastavení môžete zmeniť jazyk portálu Aquos NET+, nastaviť filter pre aplikácie špecifické pre vybraný jazyk a resetovať všetky používateľské nastavenia späť na predvolené nastavenia.

**RESET POUŽÍVATEĽSKÝCH NASTAVENÍ:** *Ak chcete úplne resetovať všetky používateľské nastavenia na portáli AQUOS NET+, musíte najprv vojsť do ponuky portálu a vybrať voľbu „Resetovať zariadenie“.*

*Vyberte pomocou kurzora voľbu ÁNO a potom na diaľkovom ovládači stlačte OK na potvrdenie resetovania nastavení.*

**POZNÁMKA:** *Naše výrobky neustále vylepšujeme, aby sme splnili požiadavky našich zákazníkov. V dôsledku našej neustálej snahy budú do AQUOS NET+ neustále pridávané nové aplikácie. Aplikácie a obsah v AQUOS NET+ sa môžu bez upozornenia zmeniť. Niektoré funkcie a obsah nemusia byť vo vašej krajine dostupné.*

## 7-dňový TV program

TV program je dostupný v digitálnom TV režime. Poskytujeme informácie o budúcich programoch (kde je to podporované digitálnym kanálom). Môžete si pozrieť čas začiatku a konca všetkých programov na všetkých kanáloch na nasledujúcich 7 dní a nastaviť si upomienky a napláňovať si nahrávanie.

1. Stlačte [TV GUIDE]. Zobrazí sa TV program na nasledujúcich 7 dní.
2. Cez menu sa pohybujte pomocou ▲▼/◀▶.
  - Teraz môžete:**
  - Nahrat vybrané TV kanály a programy stlačením ČERVENÉHO tlačidla\*
  - Nastaviť si pripomenutie stlačením (ZELENÉ)
  - Pozrieť si predchádzajúci deň stlačením (ŽLTÉ)
  - Pozrieť si nasledujúci deň stlačením (MODRÉ)
  - [INFO] zobrazí detailné informácie o vybranom programe.
3. Stlačením [EXIT] ukončíte činnosť so 7-dňovým TV programom.

\* - *len pre modely s funkciou nahrávania.*

## AQUOS NET+

AQUOS NET+ vám na vašom LCD televízore AQUOS dáva príležitosť vyskúšať si množstvo aplikácií alebo surfovať web. Ak chcete mať prístup k menu AQUOS NET+, stlačte na diaľkovom ovládači tlačidlo NET+ alebo ho vyberte z menu Ďalšie aplikácie.

**POZNÁMKA:** *Počkajte, kým sa televízor pripojí k sieti Wi-Fi.*

*To môže trvať niekoľko minút po zapnutí televízora.*

Prechádzajte položkami menu pomocou tlačidiel ▲▼/◀▶. Ak chcete

## USB nahrávanie - Digitálny režim\*

Do televízora je vstavané nahrávacie zariadenie USB. Táto funkcia je dostupná v režime Digital TV, keď je použitá v spojení s kompatibilným pamätovým zariadením USB alebo s pevným diskom USB. Výhody sú nasledujúce:

- Zastavte živé TV a potom si ho prehrajte, rýchlo posuňte dopredu alebo dozadu (k živému TV)

- Nahrávanie stlačením jediného tlačidla, ak sa rozhodnete, že chcete nahráť aktuálny program
  - Lhké programovateľné nahrávanie zo 7 dňového TV sprievodcu
- Kvôli povahe výrobku, je potrebné použiť vysokorychlostné pamäťové zariadenie USB (pretože TV číta zapisuje na pamäťové zariadenie v tom istom čase, niektoré pamäťové zariadenia môžu byť nevhodné)
- Minimálna špecifikácia - USB pamäťové zariadenie
- **Rýchlosť čítania** - 20 Mb/s (Mega Bytov za sekundu)
  - **Rýchlosť zápisu** - 6 Mb/s (Mega Bytov za sekundu)

### Zastavenie živého TV (časový posun/TimeShift)\*

Zastavenie živého TV je veľmi jednoduché.

- Stlačte tlačidlo play/pause a obraz sa zastaví a TV program obsah sa bude nahrávať. Aby ste obnovili sledovanie stlačte znovu play/pause.
- Stlačte rýchle prehrávanie dopredu, aby ste šli dopredu v nahrávaní (t.j. vynechali reklamy)
- Stlačte rýchle previnutie aby ste sa pri nahrávaní vrátili späť (t.j. ak ste sa rýchlo posunuli príliš ďaleko)

**TIP:** Keď prepnete TV do pohotovostnej polohy alebo zmeníte kanál je vymazaná pamäť Time Shift (časového posunu). Aby ste znovu spustili časový posun, musíte stlačiť tlačidlo play/pause.

### Tlačidlo nahrávania

Kedykoľvek sa rozhodnete, môžete nahráť aktuálny kanál, ktorý sledujete. Aby ste to urobili, musíte stlačiť tlačidlo [REC].

**TIP:** Televízor obsahuje jeden TV prijímač, preto môže nahráť len kanál, ktorý sledujete alebo nahráť kanál kým je televízor v pohotovostnom režime.

**POZNÁMKA:** Nahrávacia funkcia USB je dostupná len v TV režime Digital. Kvôli autorskému právu a ilegálnemu kopírovaniu/nahrávaniu nie je možné nahrávať na/z iného vstupného/výstupného zdroja.

\* - len pre modely s funkciou nahrávania

## HDR (vysoký dynamický rozsah)

Video HDR odstraňuje niektoré z obmedzení štandardného videosignálu a zobrazuje obraz so širším farebným gamutom a jasom.

### POZNÁMKY:

- Funkcia HDR sa pri detekcii signálu HDR aktivuje automaticky, voľba HDMI EDID však musí byť v ponuke „MOŽNOSTI“ nastavená na „Vylepšenie“.
- Tento televízor dokáže zobrazíť obsah HDR prostredníctvom vstupov HDMI alebo USB.
- Ak sa pripájate cez jeden z portov HDMI, externé zariadenie musí tiež podporovať HDR, HDMI2.0 a prehrávať obsah s HDR.
- Toto zariadenie nepodporuje obsah HDR zo zabudovaných aplikácií, ako napríklad Netflix alebo YouTube.

## Opis výrobku

Ochranná známka	
Model	LC-50UI7222E LC-50UI7322E LC-50UI7422E
Trieda energetickej efektívnosti	A+
Uhlopriečka viditeľnej časti obrazovky	50" / 127cm
Spotreba energie v zapnutom stave	70,0 W
Ročná spotreba elektrickej energie *	102 kWh
Spotreba elektrickej energie v pohotovostnom režime **	<0,50 W
Spotreba elektrickej energie v režime vypnutia	N/A
Rozlíšenie obrazovky	3840 (H) x 2160 (V)

\* - Spotreba energie XYZ kWh za rok na základe spotreby elektrickej energie televízora, ktorý je v činnosti 4 hodiny denne počas 365 dní. Skutočná spotreba energie závisí od toho, ako sa televízor používa.

\*\* - keď je televízor vypnutý diaľkovým ovládačom a nie je aktívna žiadna funkcia

## Fontos biztonsági óvintézkedések



**Kérjük, olvassa el ezeket a biztonsági utasításokat!**  
**A készülék használatá során tartsa tiszteltben a következő figyelmeztetéseket:**

**Tűzesetek megelőzése érdekében soha ne helyezzen gyertyákat vagy más nyílt lángot a termék közelébe.**



- A 43" vagy nagyobb képtelítő TV-készülékeket mindig legalább két embernek kell megemlíni és hordoznia.
- A TV nem rendelkezik a felhasználó által javítható részegységekkel. Meghibásodás esetén forduljon a gyártóhoz, vagy a hivatalos márkaszervizhez. A TV egyes belső alkatrészeinek megérintése életveszélyes lehet. A garancia nem terjed ki a jogosulatlan harmadik felek által végzett szervizelésekből eredő hibákra.
- Ne távolítsa el a készülék hátsó borítását!
- Ezt a készülékű videó- és hangjelé fogadására és megjelenítésére tervezték. Minden más felhasználás szigorúan tilos!
- A TV elektromos hálózatról történő eltávolításához húzza ki a csatlakozót a konnektorból.
- Ha a tápkábel sérült, a balesetek elkerülése érdekében ki kell cseréltetni azt a gyártóval, a szervizzel vagy más, megfelelően képzett szakemberrel.
- A tévérendszer ideális távolsága körülbelül a képtelítő ötszörösének megfelelő távolság. Más fényforrások képernyőn való tükröződése rontja a képmínőséget.
- Győződjön meg róla, hogy a TV megfelelő szellőzése biztosított, és nincs túl közel más készülékekhez vagy bútorokhoz.
- A megfelelő szellőzés érdekében biztosítson legalább 5 cm-es távolságot a készülék körül.
- Győződjön meg róla, hogy a készülék szellőző nyílásait nem takarja le semmi, így különösen újságpapír, terítő, függöny vagy más tárgy.
- A TV készülékét mérsékelt éghajlaton való használatra tervezték.
- Ne érje a TV-készülékét csöpögő vagy fröccsenő folyadék!
- A TV készülékét kizárólag száraz helyen történő használatra tervezték. Ha a TV-t a szabadatérren használja, kérjük, különösen ügyeljen rá, hogy ne érje nedvesség (eső, fröccsenő víz) a készülékét. Soha ne érje nedvesség a készülékét!
- Ne helyezzen semmilyen folyadékkal töltött tárgyat, edényt (pl. vázát) a TV-re. Az ilyen edények leeshetnek, és veszélyeztethetik az elektromos biztonságot. A TV kizárólag lapos és stabil felületre helyezze. Ne tegyen semmilyen tárgyat, például újságpapírt vagy takarót a TV-készülék alá vagy rá.
- Ellenőrizze, hogy a készülék nem áll semmilyen elektromos vezetékben. A vezetékek megsérülhetnek. Mobiltelefonok, illetve más, vezeték nélküli jelátvitelt alkalmazó eszközök (például WLAN adapterek, megfigyelő kamerák) elektromágneses interferenciát okozhatnak. Ne helyezze őket a TV-készülék közelébe.
- Ne helyezze a készülékét fűtőtestek közelébe, vagy olyan helyre, ahol közvetlen napfény éri. Az ilyen elhelyezés negatív hatással van a készülék hűtésére. A túlmelegedés veszélyes lehet, és jelentősen csökkentheti a készülék élettartamát. Biztonsága érdekében forduljon szakemberhez, aki eltávolítja a készülékben lerakódott szennyeződések.
- Ügyeljen rá, hogy a készülék hálózati kábele és hálózati adaptere ne sérüljön meg. A készülék csak a mellékelt hálózati kábellel / adapterrel csatlakoztatható.

- Viharok veszélyt jelentenek minden elektromos készülékre. Ha villámcsapás éri a hálózati kábelt vagy az antennát, a készülék kikapcsolt állapotban is megsérülhet. Vihar esetén húzza ki a készülék minden kábelét és csatlakozóját.
- A készülék képernyőjének tisztításához csak nedves, puha törlőrongyot használjon. Tisztításhoz csak tisztító vizet használjon. Ne használjon tisztítószerkeket vagy oldószerkeket!
- A TV-t helyezze közel a falhoz, megelőzve így a véletlen lelékés okozta leesését.
- FIGYELMEZTETÉS - Soha ne helyezze a tévékészülékét instabil helyre. A TV-készülék leeshet és súlyos személyi sérülést, halált okozhat. Számos sérülés (különösen gyerekek esetében) elkerülhető az alábbi egyszerű óvintézkedések megtételével:
- A tévékészülék gyártója által ajánlott állványt és asztalt használja.
- Csak olyan bútorra helyezze a készülékét, ami biztonságosan elbírja a TV-készülékét.
- Győződjön meg róla, hogy a tévékészülék nem lóg túl az állványként használt bútor szélein.
- Ne helyezze a TV-készülékét magas bútorra (pl. szekrényre vagy könyvespolcra) anélkül, hogy a bútor és a készüléklet is megfelelően rögzítene egy stabil ponthoz.
- Ne helyezze a TV-készülékét textilre vagy más, a TV és az állványként használt bútor közötti anyagra.
- Figyelmeztesse a gyerekeket a TV vagy kezelőszervei elérése miatt történő bútorra mászás veszélyeiről.
- Ügyeljen rá, hogy a gyerekek ne mászanak fel a készülékre vagy lógjanak róla.
- Ha korábbi tévékészülékét megtartja és áthelyezi, a fentiekben leírt biztonsági szabályokat e készülék esetében is tartsa be.
- A TV alábbi ábrán látható módon történő falhoz rögzítése biztonságos megoldás, és ezáltal elkerülhető a készülék előre történő leesése miatt okozott sérülések és károk.
- Az ilyen típusú elhelyezéshez szükséges egy rögzítő kábel.
  - A) Az egyik vagy mindkét falra rögzítésre való felső lyukat és csavarokat (a csavarok már a falra szerelésre készített lyukakban vannak) használva rögzítse a rögzítő kábel egyik végét a TV-hez.
  - B) A rögzítő kábel másik végét erősítse a falhoz.
- TV-készüléke szoftvere és OSD megjelenése előzetes értesítés nélkül is megváltoztatható.
- Megjegyzés: Elektrosztatikus kisülés (ESD) esetén a készülék helytelenül működhet. Ilyen esetben kapcsolja ki a TV-t, majd kapcsolja vissza. A TV rendszeren fog működni.

### Figyelmeztetés:

- Ne használja a TV-t közvetlenül a kicsomagolás után. Használat előtt várja meg, amíg a TV átveszi a szoba hőmérsékletét.
- Soha ne csatlakoztassa külső eszközöket a bekapcsolt készülékhez! Kapcsolja ki a TV-t és a csatlakoztatni kívánt külső eszközt is! A külső eszközök és az antenna csatlakoztatása után dugja a TV hálózati csatlakozóját a fal aljzatba!
- Mindig győződjön meg róla, szabadon hozzáfér a TV hálózati csatlakozójához.
- A készülék nem alkalmas monitorokkal felszerelt munkahelyen történő használatra.
- Fejhallgató magas hangerővel történő rendszeres használata maradandó halláskárosodást okozhat.
- Ügyeljen a készülék, és alkatrészei, illetve az elemek környezetbarát módon történő kislejtésére. Ha a hulladék elhelyezéssel kapcsolatban kétségei vannak, kérjük, lépjen kapcsolatba a helyi hatóságokkal az újrahasznosítás helyi módját illetően.
- A készülék elhelyezésekor ne feledkezzen meg arról, hogy a bútorok felületét különböző lakkokkal kezelik, vagy műanyag borítással látják el őket, vagy esetleg felcsiszolják. Az ezekben a bútorokban lévő vegyi anyagok reakcióba léphetnek a TV állvánnyal. Ez azt eredményezheti, hogy az állvány anyagának darabkái a bútor felületére ragadhatnak, amelyeket nehéz, vagy egyenesen lehetetlen eltávolítani.
- A TV-készüléke képernyőjét csúcsmínőségű körülmények között gyártották, és többször alaposan ellenőrizték, hogy rendelkeznek-e hibás pixellekkel. A gyártási folyamat technológiai tulajdonságai miatt nem

lehetőség teljesen kizárni a képernyő hibás pontjainak kis számban történő előfordulását (még a legnagyobb gondossággal történő gyártás esetén sem). Ezek a hibás pixelek nem minősülnek garanciális szempontból hibának, ha mértékük nem nagyobb, a DIN normában meghatározott értéknel.

- A gyártó nem vállal felelősséget az ügyfélnek nyújtott szolgáltatással kapcsolatos olyan problémákért, amelyek külső fél tartalmához vagy szolgáltatásához kapcsolódnak. A harmadik fél tartalmához vagy szolgáltatásához kapcsolódó minden kérdést, hozzászólást vagy kérést közvetlenül a hatályos tartalom vagy szolgáltatás szolgáltatójához kell címezni.
- Különböző, magától az eszköztől független okok vannak, ami miatt nem lehet elérni a szolgáltatást vagy tartalmat az eszköztől, mint például az áramszünet, Internet-kapcsolat hiánya, vagy az eszköz nem megfelelő beállítása. A Universal Media Corporation vállalat, a vállalat vezetői, alkalmazottai, képviselői, alvállalkozói és partnerei nem vállalnak felelősséget önnel vagy másik féllel szemben az ilyen hibák vagy karbantartás miatti leállások tekintetében, függetlenül azok okától vagy hogy ezek elkerülhetők lettek volna.
- Minden, az eszközön keresztül elérhető, harmadik fél általi tartalmat vagy szolgáltatást "ahogy van" és "amikor van" alapon szolgáltatnak, és az Universal Media Corporation és partnerei semmilyen közvetett vagy közvetlen garanciát nem vállalnak az értékesíthetőségre, a szerzői jogok betartására, egy adott célra való alkalmasságra, rendelkezésre állásra, pontosságra, teljességre, biztonságra, névre, használhatóságra, hanyag kezelésre, vagy a tartalom vagy szolgáltatás hibamentes vagy megszakítás nélküli kezelésére vagy használatára vonatkozóan, feltételezve azt, hogy a tartalom vagy szolgáltatás megfelel az ön követelményeinek vagy elvárásainak.
- Az 'Universal Media Corporation' nem egy ügynök és nem vállal felelősséget harmadik fél által nyújtott tartalomért vagy szolgáltatásért, illetve ennek a tartalomnak vagy szolgáltatásnak semmilyen vonatkozásáért.
- Az 'Universal Media Corporation' és/vagy partnerei semmilyen esetben sem vállalnak felelősséget önnel vagy harmadik féllel szemben valamilyen közvetett, közvetlen, különös, véletlen, büntetőjogi, eredő vagy egyéb kárért, függetlenül attól, hogy a felelősség jellege szerződésen, hanyagságon, garancia megszegésén, szigorú felelősségen vagy más módon alapul-e, és hogy az Universal Media Corporation és/vagy partnerei kaptak-e tájékoztatást az ilyen károk eshetőségéről vagy nem.

## Fontos információk a videojátékok, számítógépek, feliratok és más rögzített képek megjelenítésére alkalmas eszköz használatával kapcsolatban.

- Állóképeket tartalmazó anyagok hosszú ideig történő használata "árnypépet" eredményezhet az LCD képernyőn (helytelenül ezt a jelenséget nevezik gyakran "a képernyő kiégésének"). Ez az árnykép a továbbiakban mindig látható lesz a háttérben a képernyőn. Ez egy maradó károsodás. Elkerülheti az ilyen jellegű károsodást az alábbi utasítások követésével:
- Csökkentse a fényerő / kontraszt beállítást a legkisebb látható szintre.
- Ne jelenítsen meg hosszú ideig rögzített állóképeket. Kerülje az alábbiak megjelenítését:
  - » Teletext idő és táblázatok,
  - » TV/DVD menü, pl. DVD tartalomjegyzék,
  - » „Szünet” üzemmódban (hold): Ne használja ezt az üzemmódot hosszú ideig, például DVD vagy videó tartalmak nézése közben.
  - » Kapcsolja ki a készüléket, ha nem használja.

## Elemek

- Az elemek behelyezésekor ügyeljen a helyes polarításra.
- Ne tegye ki az elemeket magas hőmérsékletnek, és ne tegye őket olyan helyre, ahol a hőmérséklet gyorsan növekedhet, pl. tűz közelében vagy közvetlen napsütésen.
- Ne tegye ki az elemeket magas sugárzó hőnek, ne dobja őket tűzbe, ne szedje szét őket, és ne próbálja



Cd

meg újratölteni a nem újratölthető elemeket. Az elemek szivároghatnak vagy felrobbanhatnak.

- » Soha ne használjon különböző elemeket együtt, és ne keverjen új elemeket régiekkel.
- » A használt elemeket a környezetvédelmi előírásoknak megfelelően selejtezze ki.
- » A legtöbb EU tagországban törvény szabályozza az elemek ártalmatlanításának módját.

## Ártalmatlanítás

- Ne dobja a TV-t a háztartási hulladék közé. Vigye a kiselejtezett készüléket a kijelölt újrahasznosító gyűjtőhelyre. Ezzel segíti az erőforrások megővését és a környezet védelmét. Bővebb információért forduljon a forgalmazóhoz vagy a helyi hatóságokhoz.



## CE nyilatkozat:

- Az alábbiakban az UMC Poland Sp. z o.o. kijelenti, hogy ez a LED TV megfelel az RED 2014/53/EU irányelv alapvető követelményeinek és más hatályos előírásoknak. Az EU megfelelőségi nyilatkozat teljes szövege az alábbi linken keresztül érhető el: <https://www.sharpconsumer.eu/documents-of-conformity/>

## Védjegyek

• A HDMI és HDMI High-Definition Multimedia Interface kifejezések, illetve a HDMI logó a HDMI Licensing, LLC védjegye vagy bejegyzett védjegye az Egyesült Államokban és más országokban.

• A "DIGITALEUROPE UHD Display" logó a DIGITALEUROPE védjegye

• A DVB logó a Digital Video Broadcasting - DVB - projekt bejegyzett védjegye.

• A gyártás a Dolby Laboratories licencengedélyével történt. A Dolby, Dolby Audio és dupla D szimbólum a Dolby Laboratories védjegyei.

• A DTS szabadalmakat lásd a <http://patents.dts.com> oldalon. A DTS Licensing Limited licenc engedélye alapján gyártva. A DTS, a szimbólum, és a DTS és a szimbólum együtt a DTS, Inc. regisztrált védjegye. DTS Studio Sound pedig a DTS Inc. védjegye. © DTS, Inc. Minden jog fenntartva!

• A YouTube és a YouTube logó a Google Inc. védjegye

• A Wi-Fi CERTIFIED logó a Wi-Fi Alliance tanúsítási jelölése.

• A Wi-Fi CERTIFIED Miracast és Miracast jelölések a Wi-Fi Alliance védjegyei.

• A DLNA, a DLNA embléma és a DLNA CERTIFIED a Digital Living Network Alliance védjegye, szolgáltatás-védjegye és tanúsítvány-védjegye.

• A Harman Kardon a HARMAN International Industries, Incorporated bejegyzett védjegye az Egyesült Államokban és egyéb országokban.

## A doboz tartalma

### A készülékhez az alábbi tartozékokat mellékeltek:

- 1x TV
- 1x TV állvány szerelő csomag
- 1x Távirányító
- 1x Használati útmutató
- 2x AAA méretű elemek
- 1x Fali rögzítő készlet (4x M6x35 csavar és 4x műanyag távtartó)

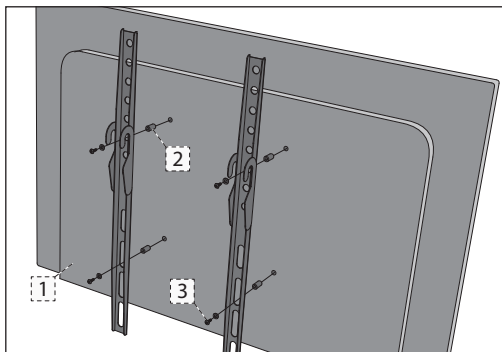
## Az állvány rögzítése

Kérjük, kövesse az útmutató utolsó oldalán lévő útmutatásokat.

## A TV falra szerelése

1. Távolítsa el a fali rögzítésre szolgáló lyukakban található négy csavart.
2. A fali konzol így már hozzárésíthető a TV hátulján található rögzítő lyukakhoz.
3. Erősítse a fali konzolt a televízió hátuljára a konzol gyártójának utasításai szerint.

Ha a fali konzolt egy 50"-es modellre erősíti fel, a TV fali rögzítő nyílásaiban található csavarok helyett javasoljuk, hogy a tartozékok között megtalálható hosszabb csavarokat és távtartókat használja. Helyezzen távtartókat a TV hátulján található fali rögzítő nyílásaiba, majd helyezze rájuk a fali konzolt. Az alábbi ábrán látható módon erősítse a konzolokat és a távtartókat a TV-hez a hosszabb csavarok segítségével:



1. TV
2. TÁVTARTÓ
3. CSAVAR

**MEGJEGYZÉS:** Az ábrán látható TV és fali konzol típus kizárólag szemléltetésre szolgál.

## Kezdeti lépések - az első beállítás

1. Az RF kábel használatával csatlakoztassa a TV-készüléket a fali TV-antenna aljzatához.
2. Az Internethez való vezetékes csatlakoztatáshoz csatlakoztasson egy Cat 5/ Ethernet vezeték (nem tartozék) a TV-készülék és a nagysebességű modem vagy router közé.
3. Csatlakoztassa a tápkábelt a TV hátuljához, majd dugja be a tápkábel csatlakozóját az elektromos aljzatba.
4. Tegye be a készülékhez mellékeltelemeket a távirányítóba.

5. Ezt követően nyomja meg a Készenlét (Standby) gombot a TV bekapcsolásához.
6. Megjelenik az **Első használat képernyő**.  
Ha nem jelenne meg, kérjük, nyomja meg a távirányítóba a [MENU] gombot, majd a 8-8-8-8 számokat és a menü megjelenik. Ha meg szeretné változtatni bármelyik alapértelmezett beállítást, használja a ▲/▼/▶/◀ léptetés gombokat. A menüből való kilépéshez nyomja meg az [EXIT] gombot.
7. **Végezze el a kívánt beállításokat az ELSŐ HASZNÁLAT képernyőn.**
  1. **LÉPÉS** - Állítsa be a TV menü nyelvét.
  2. **LÉPÉS** - Állítsa be országát.
  3. **LÉPÉS** - Állítsa be hálózati kapcsolat típusát. Ha ki szeretné hagyni ezt a lépést és csak később csatlakoztatná TV-jét a hálózathoz, válassza a Hálózati beállítás kihagyása opciót.
  4. **LÉPÉS** - Válassza ki a TV helyét. Otthoni használathoz válassza a Otthon mód. Bolti bemutató módhoz állítsa be a Üzlet mód.
  5. **LÉPÉS** - Válassza ki, hogy TV-je állványon áll, vagy a falra van szerelve. A TV beállítja a kiválasztott módnak leginkább megfelelő hang beállításokat.
  6. **LÉPÉS** - Válassza ki a használni kívánt bemeneti forrást. Ha RF antenna kábelt csatlakoztat közvetlenül a TV-hez, válassza a DTV beállítást. Ha műholdvetőt csatlakoztat közvetlenül a TV-hez, válassza a DVB-S\* beállítást. Ha set-top boxot használ, válassza ki a helyes TV bemenetet, amire a TV csatlakoztatva van.
8. Ha az utolsó lépésben a DTV vagy a DVB-S2 beállítást választotta, a készülék megkérdezi, hogy be kívánja állítani a csatornákat. Ha a "Nem"-et választja, a csatornákat a BEÁLLÍTÁSOK/CSATORNA menüpontban tudja később beállítani. Ha az "Igen"-t választja, megjelenik a beállítás menü.

**Digitális TV (DTV) hangolása:** A DVB Antenna beállításnál válassza ki milyen típusú jelet fog. Földi (DVB-T) vagy kábel (DVB-C). Majd lépjen be az Autom. beállítás opcióba és végezze el a kívánt beállításokat. Válassza ki újból az Autom. beállítás opciót a csatorna hangolás elindításához.

**Műhold (DVB-S2) hangolása:** Lépjen be az Autom. beállítás, majd a Műhold opcióba. Itt választhat a különböző műholdak között. A távirányító OK gombjának megnyomásával válassza ki a kívánt műholdat. Ezt követően a távirányító VISSZA gombjával térjen vissza az előző menühöz, és válassza ki az Autom. beállítás opciót a csatornák hangolásának elindításához.

**MEGJEGYZÉS:** A műholdas csatornák hangolásának lerövidítéséhez néhány országnak előre beállított csatorna listája van a régió legnépszerűbb műholdjaihoz. Ha az Ön által kiválasztott ország esetében is rendelkezésre áll ilyen lista, a készülék megkérdezi, hogy be kívánja-e tölteni az előre beállított csatorna listát. Ha az "Igen"-t választja, a műhold csatornalistáját néhány másodperc alatt importálja TV-készüléke.

**TIPP:** Ha bizonyos csatornák hiányoznak a keresés után, ennek valószínűleg nem megfelelő jelerősségük lehet az oka. Ebben az esetben ajánlott egy jelerősítőt csatlakoztatni, és újból elvégezni a keresést a TV-n.

## Távvezérlő

1. **STANDBY** – Készenléti módból bekapcsolja a TV-t, vagy fordítva: készenléti módba kapcsolja a készüléket.
2. **MUTE** – Elnémítja a készülék hangját, vagy kikapcsolja a némitást.
3. **0 – 9** – a TV csatornák közvetlen kiválasztására szolgáló gombok.
4. **TV GUIDE** – Megnyitja a 7 napos TV műsort (Digitális módban).
5. **↶** – Visszalépés az előzőleg nézett csatornára.
6. **PICTURE** – A képmódot közötti váltásra szolgáló gomb.
7. **VOL ▲/▼** – A hangerő növelése / csökkentése
8. **CH ▲/▼** – Csatorna léptetés fel / le.
9. **SOUND** – A hangzsmódok közötti váltásra szolgáló gomb.
10. **SOURCE** – A bemeneti/kimeneti menü megjelenítése.
11. **MENU** – Az OSD menü megjelenítése.
12. **EXIT** – Kilépés az összes menüből.
13. **(▲/▼/▶/◀) (OK)** – A képernyőn menüben történő lépegetéshez és a

beállítások elvégzésére szolgáló gombok.

14. **BACK** – Vissza az előző menühöz.
15. **FAV** – A kedvencek menü megjelenítése.
16. **INFO** – Nyomja meg egyszer a mostani/következő csatorna adataiért. Nyomja meg kétszer a jelenlegi műsor információiért.
17. **TEXT** – Teletext mód - Belépés a Teletext oldalára.
18. **SUBTITLE** – A képernyő alján látható felirat be/kikapcsolása (be/ki).
19. **TV** – Digitális TV jelforrásra vált.
20. **YouTube** – Megjeleníti a YouTube alkalmazást.
21. **NETFLIX** – Megjeleníti a NETFLIX alkalmazást.
22. **NET+** – Megjeleníti az AQUOS NET+ menüt.
23. **Rec1** – PVR felvétel
24. **⏮** – Az aktuális fejezet újraindítása
25. **⏭** – Tovább lépés a következő fejezetre
26. **■** – A lejátszás leállításához
27. **Rec List1** – A felvételek listájának megnyitása.
28. **⏮** – Lejátszás gyorskeresés hátra módban.
29. **⏭** – Lejátszás gyorskeresés előre módban.
30. **⏸** – Lejátszás/szünet
31. **SZÍNES GOMBOK** – Kiegészítő teletext és OSD funkciók

<sup>1</sup> - csak a PVR funkciónál érhető el

## TV gombok\*

**Vol+** Hangerő növelés és menüben jobbra

**Vol-** Hangerő csökkentés és menüben balra

**CH+** Program/Csatorna fel és menüben fel

**CH-** Program/Csatorna le és menü le

**MENU** Menü/OSD megjelenítése

**SOURCE** A jelforrás menü megjelenítése

**STANDBY** Készenléti mód Ki/bekapcsolás

\* - **gombokkal rendelkező TV esetén**

## TV vezérlő\*

TV vezérlőt a TV hátuljának bal alsó sarkában találja. Távirányító helyett használhatja ezt az eszközt is a TV legtöbb funkciójának vezérléséhez.

### A TV készenléti módjában:

- röviden megnyomva a vezérlőt – Bekapcsolás

### TV nézés közben:

- JOBB/BAL – hangerő növelés/ csökkentés
- FEL/LE – csatornaváltás fel/le
- rövid gombnyomás – Menü megjelenítése
- hosszú gombnyomás – Készenléti módba váltás

### Menüben:

- JOBB/BAL/FEL/LE – a kurzor irányítása a képernyő menüben
- rövid gombnyomás – OK/Ki választott elem jóváhagyása
- hosszú gombnyomás – Visszalépés az előző menüre

\* - **vezérlővel rendelkező TV esetén**

## Bemeneti mód/jelforrás kiválasztása

A különböző bemenetek/csatlakozók közötti választás módjai.

### A távvezérlő gombjainak használatával:

1. Nyomja meg a [SOURCE/☐] gombot
2. Megjelenik a jelforrás menü. Nyomja meg a [◀] vagy a [▶] gombot a kívánt bemeneti forrás kiválasztásához.
3. Nyomja meg az [OK] gombot.

### b1) A televízió található gombok\* használatával:

1. Nyomja meg a [SOURCE] gombot.
2. Lépegetsen fel / le a VOL+/VOL- gombokat használva a kívánt

bemeneti jelforrás kiválasztásához.

3. Nyomja meg a [SOURCE] gombot a bemeneti jelforrás kiválasztottá történő cseréjére.


### b2) A TV vezérlő\* használatával:

1. Nyomja meg röviden a vezérlőt a menübe való belépéshez.
2. Nyomja meg a vezérlőt lefelé, és lépjen a kurzorral a BEMENETEK menübe.
3. Nyomja meg röviden a vezérlőt a BEMENETEK menübe való belépéshez.
4. A vezérlővel válassza ki a a kívánt bemenetet/forrást.
5. A vezérlő rövid megnyomásával átválthatja a beállítást a kívánt bemenetre/forrásra.


\* - **opcionális**


## Csatlakozók

Kérjük, tekintse át a különböző modelleken elérhető csatlakozó típusokat tartalmazó táblázatot a 96. oldalon.

 **USB**  
USB 2.0 bemenet 1, 2; USB 3.0 bemenet 3

 **HDMI 1, 2 (ARC), 3 in**  
HDMI2.0 bemenet 1, 2, 3

 **SD kártyaolvasó**  
SD kártya bemenet

 **R/L - Video & YPbPr audio In**  
Komponens / Video audio bemenet

 **Video (CVBS)**  
VIDEO bemenet

 **Component/YPbPr**  
Komponens HD bemenet

 **SCART**  
SCART bemenet


 **CI Card IN**  
CI bemenet


 **RF In**  
RF / TV antenna bemenet

 **Sat In**  
Műhold bemenet

 **Digital Optical Audio Out**  
Digitális optikai kimenet

 **RJ 45**  
Ethernet

 **HEADPHONES**  
3,5mm-es fejhallgató kimenet

 **D-link**  
csak szerviz bemenet

## Navigáció a TV menüjében

A menü eléréséhez nyomja meg a távirányító [MENU] gombját. A menübe való belépéshez nyomja meg az [OK] gombot. Ha meg szeretné változtatni bármelyik alapértelmezett beállítást, használja a kurzor (▲/▼/◀/▶) gombokat. Bármely beállítás jóváhagyásához nyomja meg az [OK] gombot. A menüből való kilépéshez nyomja meg az [EXIT] gombot.

## Netflix

A világ vezető internetes televízió hálózata. Filmek és TV-műsorok ezreit, köztük eredeti sorozatokat, dokumentumfilmeket és játékfilmeket kínál a nézőknek. Az előfizetők lejátszhatják, megállíthatják, majd visszatérhetnek a lejátszáshoz reklámok és kötelezettségek nélkül. Beléphet ebbe az alkalmazásba meglévő Netflix előfizetésével. Ha még nem rendelkezik Netflix előfizetéssel, regisztrálhat az alkalmazáson keresztül, vagy a hivatalos Netflix honlapon.

## YouTube

A videomesztő alkalmazás révén eredeti videó alkotásokat fedezhet fel és nézhet meg.

**MEGJEGYZÉS:** *A Youtube alkalmazás működéséhez be kell állítani a pontos időt és dátumot a TV-n. A dátum/idő TV-n történő beállításáról bővebben a jelen használati útmutató IDŐ menü fejezetében olvashat. Győződjön meg róla, hogy hálózata nem blokkolja a hozzáférést a Youtube-hoz, és internet kapcsolatának sebessége kellően gyors a Youtube tartalmak megtekintéséhez.*

## További apps

A leggyakrabban használt alkalmazásokat tartalmazza a gyors és egyszerű elérhetőségük érdekében.

**AQUOS NET+** - Megnyitja a Sharp SMART portált.

**Weather** - Időjárás előrejelző alkalmazás, AccuWeather.

**Böngésző** - Weboldalakat interneten keresztül elérésre szolgáló alkalmazás. Navigáció a böngészőben:

- **CH+** - oldal görgetése felfelé
- **CH-** - oldal görgetése lefelé
- **Piros gomb** - böngésző menüsorának elrejtése/mutatása
- **Sárga gomb** - Nagyítás
- **Kék gomb** - Kicsinyítés

## Bemenetek

Ebben a menüben a TV bemeneti forrását/eszközét tudja megváltoztatni.

## Média

**USB** - Egy multimédia üzemmód, amely lehetővé teszi egy USB memóriakártyára mentett különböző tartalmak lejátszását. A tartalom különböző fájltypusokra osztható: Fénykép, zene és film. Megjelenik a 'Fájlopcio', és különböző támogatott tartalomtípusokat játszhat le.

1. A menüben a **▲/▼/◀/▶** gombok használatával navigálhat. A lejátszani vagy megtekinteni kívánt elem megerősítéséhez nyomja meg az [OK] gombot.
2. A tartalom megtekintése közben a visszajátszási üzemmódokat a távirányító gombjaival irányíthatja, vagy megnyithatja a visszajátszás navigációs menüt és választhat a képernyőn lévő **▲/▼/◀/▶** és [OK] gombokkal.

**MEGJEGYZÉS:** *USB hosszabbító kábelek használata nem ajánlott, mivel kép/hangminőség romlást okozhatnak, illetve az USB meghajtó tartalmának lejátszása közben indokolatlan ledállást idézhetnek elő.*

**Miracast\*** - Lehetővé teszi az okostelefonján vagy táblagépen található tartalmak TV-képernyőn történő megjelenítését. A vezeték nélküli kapcsolat Wi-Fi Direct funkcióval jön létre, így nincs szükség Wi-Fi hálózathoz történő csatlakozáshoz. Android 4.4 és frissebb verziójú rendszerű telefonján vagy táblagépen lévő tartalmakat oszthat meg.

**Médiaszerver** - Automatikusan megkeresi az otthoni hálózathoz kapcsolódó médiaszervereket (DMS), és lehetővé teszi a médiaszervereken lévő tartalom visszajátszását és megtekintését.

**\* - Ez a funkció csak bizonyos okostelefonokon és notebookokon érhető el.**

## Kép beállítások

**Kép üzemmód** - Válasszon az alábbi beállításokból.

- **Standard** - Alapértelmezett beállítások
- **Mozi** - A kép színei és fényei kevésbé világosra váltanak.
- **Felhasználó** - Lehetővé teszi az összes beállítás kézi módosítását.
- **Eco** - A készülék 15%-kal kevesebb energiát fogyaszt.
- **Dinamikus** - Gyors mozgásokat tartalmazó jelenetekhez ajánlott beállítás.

**Kontraszt** - A fekete és fehér közötti egyensúly szabályozására.

**Fényerő** - A kép fényerejének növelésére vagy csökkentésére.

**Szinteltettség** - A színek növelése fekete-fehérből.

**Képélesség** - A kép élességének növelésére vagy csökkentésére.

**Színhőmérséklet** - Az alábbi beállítások közül választhat.

- **Köz.** - alapértelmezett beállítások
- **Meleg** - Növeli a piros szín szintjét a képen
- **Hideg** - Növeli a kék szín szintjét a képen

**Aspektus** - A képformátum (képarány) csatornánként/adásonként változik. Számos különböző lehetőség áll rendelkezésére, hogy igényeinek a legjobban megfelelő választassa.

- **Auto** - Automatikusan a legjobb képformátumot jeleníti meg. A kép a megfelelő helyen van. A kép tetején/alján és/ vagy az oldalain előfordulhatnak fekete csíkok.
- **4:3** - A 4:3 képarányú kép eredeti méretében jeleníti meg. Az oldalakon csík látható a 16:9 arányú kép kitöltéséhez.
- **16:9** - A képernyőt a szabványos 16:9 képpel tölti ki.
- **Zoom 1/2** - A kép helyes képaránnyal jelenik meg, de nagyítva van, hogy kitöltse a képernyőt.
- **Dot by Dot (HDMI)** - A képet eredeti felbontásában, változtatások nélkül jeleníti meg.
- **Teljes képernyő** - A képet kinyújtja, hogy kitöltse a képernyőt.

**Fejlett beállítások**

- **Zajcsökkentés** - Kiszűri és csökkenti a kép zaját (interferenciáját)
- **Aktív kontraszt** - Automatikusan optimalizálja a kép 'hátteret' és 'kontrasztját' a képernyő fényerejének megfelelően.
- **Háttérvilágítás** - Állítja be a képernyő fényerejét a panel háttérvilágításának erősítésével/tompításával.
- **Gamma** - A tónus beállítása a kép világos és sötét részei között.
- **Piros** - a kép piros tónusának beállításához
- **Zöld** - a kép zöld tónusának beállításához
- **Kék** - a kép kék tónusának beállításához

## Hang

**Hangbeállítás** - Az alábbi beállítások közül választhat

- **Standard** - Alapértelmezett beállítások
- **Zene** - Kiemeli a zenét a beszédhangokkal szemben
- **Mozi** - Élő és teljes hangzást biztosít a filmeknek
- **Felhasználó** - Egyénileg választhatja ki a hangbeállításokat
- **Sport** - Hangokat a sporthoz emeli ki

**Equalizer** - Beállítja a különböző hangfrekvenciák hangerejét. Az equalizer hangerejét csak a 'Személyes' hangmód kiválasztásával lehet beállítani.

**Fejhallgató**

- **HP+TV** - a beállítás révén egyszerre szól a TV hangszórója és a fejhallgató.
- **Hangerő** - a fejhallgató hangerejének beállítása.

**Balansz** - A hang a baloldali és a jobboldali hangszóró közötti beállítás. **Automatikus hangerő** - Bekapcsolt módban a hangerő állandó szinten marad, függetlenül a jelforrástól.





funkciót bekapcsolja (BE) és egy olyan csatornára vált, amely támogatja a hallássérülteknek való feliratozást, akkor azok automatikusan megjelennek.

**Kék képernyő** - Válogatja a képernyő háttérzínét egy kék képernyő és egy átlátszó képernyő között, ha nincs bejövő jel. (Csak néhány jelforrás esetén érhető el).

**PVR fájlrendszer** - A PVR felvétel beállításai\*

- **Partíció kiválasztása** - Válasszon USB portot és lemez partíciót
- **Timeshift mérete** - Állítsa be a TimeShift puffer méretét.
- **Formázás** - Megformázhatja a csatlakoztatott USB tárolóeszközt FAT 32 fájlrendszerre.
- FIGYELMEZTETÉS: AZ USB ESZKÖZÖN LÉVŐ ÖSSZES ADAT TÖRLÉSRE KERÜL**
- **Sebesség** - A készülék ellenőrzi a csatlakoztatott USB tárolóeszköz írási sebességét.

\* - **csak beépített PVR funkcióval rendelkező készülékeken.**

**Első installáció** - Elindítja az első használat képernyőit.

**Szoftverfrissítés (USB)** - Időről időre új firmware bocsátunk ki, hogy javítsuk a televízió működését (letölthető). Ez a menü lehetővé teszi, hogy telepítse az új szoftvert/firmwaret televíziójára. A telepítéssel kapcsolat további információkat a firmware tartalmazza. Vegye fel a kapcsolatot ügyfélszolgálatunkkal vagy látogasson el a 'www.sharp.eu/av' oldalra.

**Szoftverfrissítés (NET)** - Lehetővé teszi a TV szoftverének az Interneten keresztüli frissítését. Ez a funkció új szoftvereket keres és szükség esetén frissíti.

**MEGJEGYZÉS:** A TV bekapcsolásakor automatikusan megkeresi a szoftver újabb változatait. Ha új szoftvert talál, akkor megkérdezi öntől, hogy szeretné-e letölteni és telepíteni. Ha az "Igen" lehetőséget választja, akkor a TV a legfrissebb változatra frissít.

**FIGYELM:** Ne kapcsolja ki a TV főkapcsolóját, amíg a frissítés nincs kész!

**Gyári beállítások törlése** - Visszaállítja a menüket a gyári beállításokra.

**HDMI CEC\*** - Lehetővé teszi, hogy a TV távvezérlőjével irányítsa a HDMI-n keresztül csatlakoztatott eszközöket.

- **Készülék lista\*** - Lehetővé teszi, hogy elérje a csatlakoztatott eszközök menüjét és a TV távirányítójával lépkedjen a menüben.

- **HDMI CEC** - a HDMI CEC funkció be/kikapcsolása.

- **Auto alvás kapsz.\*** - Automatikusan ki/bekapcsolja a csatlakoztatott eszközöket a HDMI CEC keresztül.

- **HDMI ARC\*** - A földi/műholdas sugárzástól érkező audio jeleket HDMI-n keresztül az AV-vevőhöz továbbítja kiegészítő kábel használata nélkül. Ez a funkció csak a HDMI 2 kimeneten érhető el.

\* - **A csatlakoztatott eszköznek támogatnia kell a HDMI CEC szabványt.**

**HDMI EDID** - továbbítja a TV-készülék tulajdonságait (felbontás, hangrendszer, stb.) közvetlenül a HDMI-n keresztül csatlakoztatott készüléknek. Ez az elem lehetővé teszi, hogy váltson a HDMI bemeneti módok között: a HDMI és a HDMI2.0 üzemmód között vált tudni.

- **Standard** - akkor javasolt a használata, ha a TV-t egy HDMI 1.4 kimenettel rendelkező eszközhöz, például FullHD Blu-Ray lejátszóhoz, DVD-lejátszóhoz vagy játékkonzolhoz csatlakoztatják.
- **Növelés** - akkor javasolt a használata, ha a TV-t egy HDMI 2.0 kimenettel rendelkező eszközhöz, például egy 4K-s Blu-ray lejátszóhoz vagy egy korszerű PC-hez csatlakoztatják.

**LED állapot** - Lehetővé teszi a felhasználó számára, hogy ki/bekapcsolja a LED jelzőfényt a TV működése közben. (Ha ez a funkció KI van kapcsolva, a LED jelzőfény villogni fog, ha a távirányítót használják).

**HbbTV** - A felhasználó ki/bekapcsolhatja a HbbTV funkciót. A HbbTV funkció használatához a TV-t az internethez kell csatlakoztatni, és a kiválasztott csatornának támogatnia kell a HbbTV szolgáltatást.

**Verzió információ** - megmutatja a TV szoftverének verzióját.

**Forrás szerkesztése** - ez a funkció lehetővé teszi a felhasználó számára, hogy manuálisan átnevezzen elemeket a beviteli források listáján. Például átnevezheti a bemeneti elemeket a csatlakoztatott eszközök nevére.

keresztül. Az AQUOS NET+ menü eléréséhez nyomja meg bármikor a távirányító NET+ gombját, vagy válassza ki a TV További alkalmazások menüből.

**MEGJEGYZÉS:** Várja meg, amíg a TV készülék csatlakozik a Wi-Fi hálózathoz. Ez néhány percig tarthat a TV bekapcsolásdát követően.

A menüben a ▲/▼/◀/▶ gombok használatával mozoghat. A lejtászani vagy megtekinteni kívánt elem megerősítéséhez nyomja meg az [OK] gombot. Az egy lépéses visszalépéshez nyomja meg a [Menu] gombot, a további funkciók eléréséhez pedig használja a színes gombokat. Az AQUOS NET+ elhagyásához nyomja meg az [EXIT] gombot.

**Kézdőlap** - Kezdőképernyő javasolt filmekkel és közelmúltban megnyitott alkalmazásokkal

**Alkalmazások** - Megnyitja a rendelkezésre álló alkalmazások listáját

**Filmek** - Megnyitja az elérhető filmek listáját

**TV műsorok** - Megnyitja a rendelkezésre álló TV műsorok listáját

**Zene** - Megnyitja a rendelkezésre álló zeneszámok és videóklipke listáját

**Játékok** - Játékok és játékkal kapcsolatos alkalmazások listája.

**Sport** - Sporthoz kapcsolódó alkalmazások listája.

**Hírek** - Hírszolgáltató alkalmazások listája.

**Keresés** - alkalmazások keresése az alkalmazás teljes nevének, vagy egy részének a megadásával.

**Kedvencek** - Alkalmazásokat adhat a "Kedvencek" listához, és így gyorsabban érheti el kedvenc appjait. Egy alkalmazás listához adásához egyszerűen csak jelölje ki a kívánt alkalmazást és nyomja meg a zöld gombot. Ezzel az app bekerül a "Kedvencek" listába. Ha egy alkalmazást el kíván távolítani a "Kedvencek" listából, jelölje ki az app-ot és nyomja meg a ZÖLD gombot a törléshez.

**Beállítások** - A beállítások menüben megváltoztathatja az Aquos NET+ portál nyelvt, beállíthat egy alkalmazás szűrőt a kiválasztott nyelvhöz, és visszaállíthatja a felhasználói beállításokat az alapértelmezett értékekre.

**FELHASZNÁLÓI BEÁLLÍTÁSOK TÖRLÉSE:** Ha törölni szeretné az összes felhasználói beállítást az AQUOS NET+ portálon, akkor először lépjen be a portál Beállítások menüjébe, majd válassza ki a "Készülék visszaállítás" (Reset your device) opciót. Válassza ki az IGEN (YES) opciót a kurzorral, majd nyomja meg az OK gombot a távirányítón a törlés jóváhagyásához.

**MEGJEGYZÉS:** Az ügyfelek igényeinek kielégítéséhez folyamatosan fejlesztjük termékeinket. Folyamatos erőfeszítéseink eredményeként az AQUOS NET+ állandóan új alkalmazásokkal bővül. Az AQUOS NET+ alkalmazásai és tartalma előzetes értesítés nélkül módosulhat. Néhány funkció és tartalom lehet, hogy nem érhető el országában.

## 7 napos TV műsor

A TV műsor digitális TV módban érhető el. Információt nyújt a soron következő műsorokról (ha ezt támogatja a digitális csatorna). Megnézheti az elkövetkező 7 nap minden csatornájának összes műsorának kezdeti és befejező idejét, és beállíthat emlékeztetőket.

1. Nyomja meg a [TV GUIDE] gombot. Megjelenik a következő 7 nap TV műsora.
2. A menüben a ▲/▼/◀/▶ gombokkal lépegethet.  
**A következők mentheti:**  
A PIRGOMB megnyomásával felveheti a kiválasztott TV csatornák műsora.  
A ZÖLD gomb megnyomásával beállíthat emlékeztetőket.  
A SÁRGA gomb megnyomásával megnézheti egy előző napot.  
A KÉK gomb megnyomásával megnézheti a következő napot.  
Az [INFO] részletes információkat közöl a kiválasztott műsorról.
3. A 7 napos TV műsorból való kilépéshez nyomja meg az [EXIT] gombot.

\* - **csak a felvétel funkcióval rendelkező modelleken**

## AQUOS NET+

Az AQUOS NET+ szolgáltatása révén kiélvezheti a különböző alkalmazások nyújtotta előnyöket és böngészhet az interneten AQUOS LCD TV-jén

## USB felvétel - Digitális mód\*

A TV beépített USB felvételi móddal rendelkezik. Ez a funkció Digitális módban érhető el egy kompatibilis USB pendriveot vagy USB merevlemez használva. A funkció az alábbi előnyöket kínálja:

- Megállíthatja az élő TV adást, majd lejátszhatja, előre léphet és visszautgorhat a műsorban (az élő TV adástól függően).
- Egyetlen gombnyomással rögzítheti a műsort, ha szeretné.
- Egyszerű felvétel programozás a 7 napos TV műsor segítségével.

A termék jellegéből adódóan nagysebességű USB memóriát/pendriveot kell használni (mivel a TV egyidejűleg ír és olvas is a meghajtóról. Néhány memória/pendrive elképzelhető, hogy nem alkalmas az ilyen jellegű használatra).

Minimum követelmények - USB memória

- **Olvasási sebesség** - 20 Mb/s (Megabit per másodperc)
- **Írási sebesség** - 6 Mb/s (Megabit per másodperc)

### Az élő TV műsor megállítása (Time Shift)\*

Az élő TV műsor megállítása nagyon egyszerű.

Nyomja meg a play/pause gombot és a televízió műsor megáll, az élő adást pedig rögzíti a készülék. A műsor folytatásához nyomja meg újból a play/pause gombot.

- Nyomja meg a fast forward gombot a felvételen való előrébb lépéshez (pl. reklámok átugrásához).
- Nyomja meg a fast rewind gombot a felvételen való visszalépéshez (pl. ha túl gyorsan lépett előre a fast forward gombbal).

**TIPP:** Ha készenléti módba kapcsolja a TV-t vagy csatornát

vált, a Time Shift memória törlődik. A time shift funkció újraindításához meg kell nyomnia a play/pause gombot.

### Egy gombos felvétel

Bármikor úgy dönthet, hogy rögzíti (felveszi) az éppen nézett csatorna tartalmát. Ehhez csak meg kell nyomnia a [REC] gombot.

**TIPP:** Ez a televízió egy TV tunerrel rendelkezik, ezért csak azt a csatornát tudja felvenni, amit Ön néz, vagy képes rögzíteni egy csatornát a televízió készenléti módjában.

**MEGJEGYZÉS:** Az USB felvétel funkció csak digitális TV módban érhető el. A szerzői jogi törvények, valamint az illegális másolás/felvétel megakadályozása miatt a készülékkel nem lehet felvenni más kimeneti forrásra, illetve más bemeneti forrásról.

\* - csak beépített PVR funkcióval rendelkező készülékeken.

## HDR (High Dynamic Range - Nagy Dinamikatartomány)

A HDR videó kiküszöböli a hagyományos videojelek bizonyos korlátait, és a megjelenített képeket szélesebb színskála és fényerő alapján építi fel.

**MEGJEGYZÉSEK:**

- A HDR funkció automatikusan bekapcsol, ha HDR jelet észlel a készülék, feltéve, hogy a HDMI EDID opció "Növelés" beállításra van állítva a 'BEÁLLÍTÁSOK' menüben.
- Ez a televízió képes HDR tartalmakat megjeleníteni a HDMI vagy az USB bemenetén keresztül.
- Ha a HDMI portok egyikét használja a csatlakoztatáshoz, a külső eszköznek támogatnia kell a HDR vagy a HDMI2.0 formátumot és HDR tartalmat kell lejátszania.
- A készülék nem támogatja a beépített alkalmazásokból (pl. Netflix vagy YouTube) érkező HDR tartalmat.

## Termékismertető adatlap

Védjegy	
Modell	LC-50U17222E LC-50U17322E LC-50U17422E
Energiahatékonysági osztály	A+
Látható képméret (képtífo)	50" / 127cm
Bekapcsoláskori áramfelvétel	70,0 W
Éves energiafogyasztás*	102 kWh
Készenléti mód energiafogyasztása**	<0,50 W
Kikapcsolt üzemmód energiafogyasztása	N/A
Képernyő felbontása	3840 (H) x 2160 (V)

\* - Energiafogyasztás XYZ kWh/év, a televízió évi 365 napon keresztül napi 4 órás használatából eredő energiafogyasztása alapján kalkulálva. A tényleges energiafogyasztás a televízió valós használatától függ.

\*\* - ha a TV-t kikapcsolták a távirányítóval és egyik funkciója se aktív.

## Instrucțiuni importante de siguranță



### Citiți aceste instrucțiuni de siguranță și respectați următoarele avertismente înainte de a utiliza aparatul:

**Pentru a preveni incendiile, țineți întotdeauna lumânările și alte surse de flacără deschisă departe de acest produs.**



- Încercați să preveniți deteriorarea cablului sau a adaptorului de alimentare. Aparatul poate fi conectat doar cu ajutorul cablului/adaptorului de alimentare furnizat.
  - Furtunile sunt periculoase pentru toate aparatele electrice. În cazul în care cablajul de alimentare sau cel al antenei este lovit de trăsnet, aparatul se poate deteriora chiar dacă este oprit. Trebuie să deconectați toate cablurile și conectorii aparatului înainte unei furtuni.
  - Utilizați doar o cârpă moale și umedă pentru a curăța ecranul aparatului. Utilizați doar apă curată, niciodată detergenți și în niciun caz solventi.
  - Poziționați televizorul aproape de perete, pentru a evita posibilitatea căderii acestuia atunci când este împins.
  - AVERTISMENT - Nu așezați niciodată televizorul într-o locație instabilă. Televizorul poate cădea, cauzând vătămări corporale grave sau decesul. Multe vătămări, în special asupra copiilor, pot fi evitate adoptând măsuri simple de precauție, cum ar fi:
    - Utilizați comode sau etajere recomandate de producătorul televizorului.
    - Utilizați doar piese de mobilier care pot susține în siguranță televizorul.
    - Asigurați-vă că televizorul nu depășește marginea piesei de mobilier pe care este așezat.
  - Nu așezați televizorul pe piese de mobilier aflate la înălțime (de exemplu, dulapuri sau biblioteci) fără a ancora atât mobila, cât și televizorul pe un suport adecvat.
  - Nu așezați televizorul pe o față de masă sau alte materiale ce se pot afla între televizor și piesa de mobilier pe care este așezat.
  - Explicați-le copiilor pericolele pe carele presupune urcarea pe mobilier pentru a ajunge la televizor sau la comenzile acestuia.
  - Asigurați-vă că copiii nu se urcă pe televizor și nu se agață de acesta.
  - Dacă televizorul dvs. existent este înlocuit și mutat, trebuie să se aplice aceleași considerente de mai sus.
  - Instrucțiunile prezentate mai jos reprezintă o modalitate mai sigură de instalare a televizorului, prin fixarea pe perete, care va evita posibilitatea căderii acestuia în față și posibilitatea producerii de vătămări și daune.
  - Pentru acest tip de instalare, veți avea nevoie de un cordon de fixare
    - A) Folosind una/ambelae orificii superioare de montare pe perete și șuruburile (șuruburile sunt deja furnizate în orificiile de montare pe perete), fixați un capăt al cordonului/cordoanelor de fixare la televizor.
    - B) Fixați celălalt capăt al cordonului de fixare pe perete.
  - Software-ul de pe televizor și configurația OSD pot fi modificate fără preaviz.
  - Notă: În cazul descărcării electrostatice (ESD), aparatul poate prezenta semne de funcționare incorectă. În acest caz, opriți televizorul și porniți-l din nou. Televizorul va funcționa normal.
- ### Avertisment:
- Nu utilizați televizorul imediat după ce îl despachetați. Înainte de a utiliza televizorul, așteptați până când ajunge la temperatura camerei.
  - Nu conectați niciodată dispozitive externe la un aparat sub tensiune. Opririți nu numai televizor, ci și dispozitivele pe care urmează să le conectați! Conectați ștețul televizorului la priză de perete după ce conectați dispozitivele externe și antena!
  - Asigurați-vă întotdeauna că există acces liber la ștețul de alimentare al televizorului.
  - Aparatul nu este conceput pentru utilizarea într-un spațiu de lucru echipat cu monitoare.
  - Utilizarea sistematică a câștilor la volum ridicat poate conduce la deteriorarea ireversibilă a auzului.
  - Asigurați casarea ecologică a acestui aparat și a oricăror componente ale acestuia, inclusiv bateriile. Dacă aveți dubii, contactați autoritatea locală pentru detalii referitoare la reciclare.
  - În timpul instalării aparatului, nu uitați că suprafețele mobile sunt tratate cu diverse lacuri, materiale plastice etc. sau că pot fi lustruite. Substanțele chimice conținute în aceste produse pot avea o reacție chimică cu suportul televizorului. Acest lucru poate determina lipirea unor bucăți de materiale pe suprafața mobilei, care sunt dificil, dacă nu imposibil de îndepărtat.
  - Ecranul televizorului a fost fabricat în condiții de maximă calitate și a fost verificat în detaliu, de mai multe ori, pentru a se depista eventualii pixeli cu erori. Din cauza proprietăților tehnologice ale procesului de fabricație,
- Televizoarele cu ecrane cu dimensiunea de 43" sau mai multe trebuie ridicate și transportate de cel puțin două persoane.
  - Acest televizor nu conține componente ce pot fi reparate de către utilizator. În cazul unei defecțiuni, contactați producătorul sau agentul de service autorizat. Contactul cu anumite componente din interiorul televizorului vă poate pune viața în pericol. Garanția nu se extinde la defecțiuni cauzate ca urmare a reparațiilor efectuate de terți neautorizați.
  - Nu demontați partea din spate a aparatului.
  - Acest aparat este proiectat pentru recepționarea și reproducerea semnalelor audio și video. Orice altă utilizare este strict interzisă.
  - Pentru a deconecta televizorul de la rețea, scoateți ștecherul din priză.
  - În cazul în care cablul de alimentare este deteriorat, acesta trebuie înlocuit de către producător, un agent de service sau persoane cu calificări similare, pentru a evita pericolele.
  - Distanța ideală de vizionare la televizor este de aproximativ cinci ori mai mare decât diagonala ecranului. Reflexiile pe ecran din alte surse de lumină pot depreda calitatea imaginii.
  - Asigurați-vă că televizorul dispune de ventilație suficientă și că nu se află aproape de alte aparate și piese de mobilier.
  - Pentru o ventilație suficientă, asigurați o distanță minimă de 5 cm în jurul aparatului.
  - Asigurați-vă că orificiile de ventilație nu intră în contact cu obiecte, cum ar fi ziare, fețe de masă, perdele etc.
  - Televizorul este conceput pentru a fi utilizat într-un climat moderat.
  - Nu expuneți televizorul la picături sau stropi de lichide.
  - Televizorul este conceput pentru a fi utilizat exclusiv într-un loc uscat. Când utilizați televizorul la exterior, asigurați-vă că este protejat împotriva umidității (ploaie, stropi de apă). Nu îl expuneți niciodată la umiditate.
  - Nu așezați obiecte, recipiente umplute cu lichide, cum ar fi vase etc. pe televizor. Aceste recipiente pot fi împinse peste margine, ceea ce ar periclita siguranța electrică. Plasați televizorul pe suprafețe orizontale și stabile. Nu așezați obiecte, cum ar fi ziare sau pături etc. pe sau sub televizor.
  - Asigurați-vă că aparatul nu stă pe cabluri de alimentare, deoarece acestea se pot deteriora. Telemobilele și alte dispozitive, cum ar fi adaptoare WLAN, camere de monitorizare cu transmisie wireless sau semnalelor etc., pot cauza interferențe electromagnetice și nu trebuie așezate lângă aparat.
  - Nu așezați aparatul în apropierea elementelor de încălzire sau într-un loc expus la lumină solară directă, deoarece acest lucru are un efect negativ asupra răcirii aparatului. Acumularea de căldură este periculoasă și poate reduce semnificativ durata de viață a aparatului. Pentru a garanta siguranța, rugați o persoană calificată să îndepărteze murdăria de pe aparat.

nu se poate elimina existența unui număr mic de pixeli cu erori pe ecran (chiar și în condiții de atenție maximă în timpul producției). Acești pixeli cu erori nu trebuie să fie considerați a fi defecte în ceea ce privește condițiile garanției, dacă numărul lor nu este mai mare decât limitele definite prin norma DIN.

- Producătorul nu va fi responsabil sau răspunzător pentru chestiunile legate de serviciile pentru clienți care implică servicii sau conținuturi ale unor terți. Orice fel de întrebare, comentariu sau solicitare legată de conținutul sau serviciul unei terțe părți va fi adresată direct furnizorului conținutului sau serviciului respectiv.
- Există o multitudine de motive din cauza cărora să nu vă puteți accesa conținutul sau serviciile prin intermediul dispozitivului, care nu au legătură cu dispozitivul în sine; dintre acestea menționăm, fără a ne limita, căderile de curent, conexiunea la internet sau imposibilitatea de a vă configura în mod corect dispozitivul. Universal Media Corporation, directorii, operatorii, angajații, agenții, antreprenorii și afiliații săi nu vor fi răspunzători în legătură cu astfel de defecte sau perioade de inactivitate pe care le puteți întâmpina dvs. sau orice terță parte, indiferent de cauza acestora sau de cazul în care fi putut fi evitate sau nu.
- Toate conținuturile sau serviciile aparținând terțelor părți care sunt accesibile prin intermediul acestui dispozitiv vă sunt puse la dispoziție „ca atare” și „în funcție de disponibilitate”, iar Universal Media Corporation și afiliații săi nu eliberează niciun fel de garanție sau reprezentare, expresă sau implicită, precum garanția că produsul va fi cumpărat, garanția împotriva contrafacerii produsului, garanția că produsul este adecvat unui anumit scop, fără a ne limita la acestea, precum și orice fel de garanție legată de potrivirea, disponibilitatea, precizia, completitudinea, siguranța, denumirea, utilitatea, lipsa neglijenței, funcționarea sau utilizarea neîntreruptă sau fără eroare a conținuturilor sau a serviciilor furnizate sau garanția că serviciile sau conținuturile vor răspunde necesităților sau așteptărilor dumneavoastră.
- Universal Media Corporation nu este un agent și nu își asumă responsabilitatea pentru acțiunile sau omisiunile furnizorilor terți de conținuturi sau servicii și în legătură cu vreun aspect al conținuturilor sau serviciilor care au legătură cu astfel de furnizori terți.
- Universal Media Corporation și/sau afiliații săi nu vor fi în niciun caz răspunzători în fața dumneavoastră sau a oricărei terțe părți pentru nicio daună directă, indirectă, specială, incidentă, punitivă, tangențială sau de alt fel, indiferent dacă teoria răspunderii se bazează sau nu pe un contract, un delict, neglijență, încălcarea garanției, a responsabilității limitate sau pe orice altceva și indiferent dacă Universal Media Corporation și/sau afiliații săi au fost avertizați în legătură cu posibilitatea apariției unor astfel de daune.

## Informații importante referitoare la utilizarea jocurilor video, a computerelor, a legendelor și a altor afișaje cu imagini fixe.

- Utilizarea prelungită a materialelor programelor cu imagini fixe poate cauza o „imaginer umbrită” permanentă pe ecranul LCD (denumită uneori incorect „ardere ecran”). Această imagine umbrită este vizibilă apoi permanent pe ecran, în fundal. Aceasta este o deteriorare ireversibilă. Puteți evita o astfel de deteriorare urmând instrucțiunile de mai jos:
- Reduceți setarea pentru luminozitate/contrast la un nivel minim din vizualizare.
- Nu afișați imaginea fixă pe o perioadă lungă de timp. Evitați afișarea de:
  - » Timp și tabele teletext,
  - » Meniu TV/DVD, de ex. conținut DVD,
  - » În modul „Pauză” (menținere): Nu utilizați acest mod o perioadă îndelungată, de ex. în timp ce vizionați un DVD sau un clip video.
  - » Oprțiți aparatul dacă nu îl folosiți.

## Bateriile

- Observați polaritatea corectă când introduceți bateriile.
- Nu expuneți bateriile la temperaturi ridicate și nu le așezați în locuri în care temperatura poate crește rapid, de ex. lângă foc sau în lumină solară directă.



Cd

- Nu expuneți bateriile la căldură radiantă excesivă, nu le aruncați în foc, nu le dezamblați și nu încercați să reincărcăți bateriile nereîncărcabile. Acestea pot prezenta scurgeri sau pot exploda.
  - » Nu utilizați niciodată baterii diferite împreună și nu amestecați bateriile noi cu cele vechi.
  - » Eliminați bateriile în mod ecologic.
  - » Majoritatea țărilor UE reglementează prin lege eliminarea bateriilor.

## Eliminare

- Nu eliminați acest televizor ca deșeu menajer nesortat. Returnați-l la un punct de colectare desemnat pentru reciclarea WEEE. În acest fel, veți contribui la conservarea resurselor și la protejerea mediului înconjurător. Contactați distribuitorul sau autoritățile locale pentru informații suplimentare.



## Declarație CE:

- Prin prezenta, UMC Poland Sp. z o.o. declară că acest TV LED este în conformitate cu cerințele esențiale și cu alte prevederi relevante din Directiva 2014/53/EU privind RED și recunoașterea reciprocă a conformității acestora. Textul integral al declarației de conformitate UE este disponibil la următorul link <https://www.sharpcorconsumer.eu/documents-of-conformity/>

## Mărci comerciale

- Termenii HDMI și HDMI High-Definition Multimedia Interface, precum și sigla HDMI sunt mărci comerciale sau mărci înregistrate ale HDMI Licensing LLC în Statele Unite sau în alte state.
- Sigla „DIGITALEUROPE UHD Display” este o marcă comercială a DIGITALEUROPE.
- Sigla DVB este o marcă comercială înregistrată a proiectului Digital Video Broadcasting - DVB.
- Fabricat sub licență de la Dolby Laboratories. Simbolurile Dolby, Dolby Audio și double-D sunt mărci comerciale ale Dolby Laboratories.
- Pentru brevete DTS, consultați <http://patents.dts.com>. Fabricat sub licența DTS Licensing Limited. DTS, simbolul, & DTS și simbolul împreună sunt mărci comerciale înregistrate. DTS Studio Sound este o marcă comercială a DTS, Inc. © DTS, Inc. Toate drepturile sunt rezervate.
- YouTube și sigla YouTube sunt mărci înregistrate ale Google Inc
- Sigla Wi-Fi CERTIFIED Logo este o marcă de certificare pentru Wi-Fi Alliance.
- Wi-Fi CERTIFIED Miracast și Miracast sunt mărci comerciale ale Wi-Fi Alliance.
- DLNA, sigla DLNA și DLNA CERTIFIED sunt mărci comerciale, mărci de serviciu sau mărci de certificare ale Digital Living Network Alliance.
- Harman Kardon este o marcă comercială a HARMAN International Industries, Incorporated, înregistrată în Statele Unite și/sau în alte țări.

## Conținutul cutiei

### Furnitura acestui televizor include următoarele componente:

- |   |  |
|---|--|
| • 1x televizor  | • 1x pachet de instalare pentru suportul televizorului |
| • 1x telecomandă  | • 1x ghid de utilizare                                 |
| • 2x baterii AAA  |  |
| • 1x Set suport de montare pe perete (4 șuruburi M6x35 și 4 distanțiere de plastic) |  |

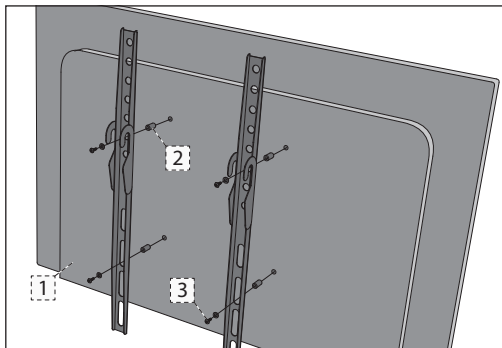
## Fixarea suportului

Urmați instrucțiunile de pe ultima pagină a acestui manual de utilizare.

## Montajul pe perete al televizorului

- Scoateți cele patru șuruburi prevăzute în orificiile pentru montarea pe perete.
- Suportul de perete poate fi fixat acum cu ușurință pe orificiile de montare de pe partea din spate a televizorului.
- Instalați suportul pentru montarea pe perete pe televizor, conform cu instrucțiunile furnizate de producătorul suportului.

Când atașați consolele suportului de montare pe perete la modelul de 50", în locul șuruburilor prevăzute în orificiile suportului de montare pe perete a televizorului, vă recomandăm să folosiți șuruburi mai lungi și distanțiere incluse în pachetul de accesorii. Așezați distanțiere în orificiile suportului de montare pe perete a televizorului amplasate pe partea din spate a televizorului, apoi așezați consolele de perete peste ele. Atașați consolele și distanțierile la televizor folosind șuruburi mai lungi, conform ilustrației de mai jos:



- TELEVIZOR
- DISTANȚIER
- ȘURUB

**NOTĂ:** Televizorul și tipul de console de perete prezentate în schemă sunt oferite doar în scop exemplificativ.

## Introducere - instalarea inițială

- Folosind cablul RF, conectați televizorul la priza de perete a antenei TV.

- Pentru conectarea la internet prin cablu, conectați un cablu Cat 5/ Ethernet (care nu este inclus în pachet) de la televizor la modemul/routerul de bandă largă.
- Conectați cablul de alimentare în spatele televizorului și apoi conectați-l la priza electrică.
- Introduceți bateriile furnizate în telecomandă.
- Apoi apăsați butonul Standby pentru a porni televizorul.
- Veți fi întâmpinați de ecranul Prima instalare. Dacă acesta nu apare, pe telecomandă, apăsați pe [MENU], apoi 8-8-8 și meniul va apărea. Dacă doriți să faceți modificări la setările implicite, folosiți butoanele de defilare ▲/▼/◀/▶. Pentru a ieși în orice moment din acest meniu, apăsați butonul [EXIT].
- Configurați setările dorite în ecranul PRIMA INSTALARE.**
  - PASUL 1** - Setări limba pentru Meniul televizorului.
  - PASUL 2** - Setări țara dvs.
  - PASUL 3** - Setări tipul conexiunii de rețea. Dacă doriți să omiteți acest pas și să conectați televizorul la rețea mai târziu, selectați Omitere setare rețea
  - PASUL 4** - Selectați locația televizorului. Pentru utilizare casnică, selectați Acasă. Pentru mod demonstrativ în magazin, selectați Magazin.
  - PASUL 5** - Selectați dacă televizorul prezintă un suport sau dacă este montat pe perete. Televizorul va configura setările audio optime pentru opțiunea selectată.
  - PASUL 6** - Selectați sursa de intrare pe care doriți să o utilizați. Dacă ați conectat cablul RF direct la televizor, selectați DTV. Dacă aveți conectat direct la televizor, selectați DVB-S\*. În cazul în care utilizați un decodor, selectați intrarea TV corectă la care acesta este conectat.

- Dacă ați selectat la ultimul pas DTV sau DVB-S2, veți fi întrebat dacă doriți să reglați canalele. Dacă selectați „Nu”, puteți regla canalele mai târziu din meniul SETĂRI/CANAL. Dacă selectați „Da”, se va afișa meniul de reglare.

**Reglare semnal TV digital (DTV):** În Antenă DVB, selectați tipul de semnal pe care îl aveți. Antenă (DVB-T) sau Cablu (DVB-C). Apoi accesați opțiunea Reglare automată și configurați setările dorite. Selectați din nou Reglare automată pentru a porni reglarea canalelor.

**Reglare semnal prin satelit (DVB-S2):** Accesați opțiunea Reglare automată și opțiunea Satelit. Aici puteți alege dintre diverșii sateliți disponibili. Selectați satelitul la care doriți să efectuați reglarea și apăsați butonul OK de pe telecomandă. Apoi reveniți la meniul anterior apăsând butonul ÎNAPOI de pe telecomandă și selectați Reglare automată pentru a porni reglarea canalelor.

**NOTĂ:** Pentru a reduce timpul de reglare a canalelor prin satelit, unele țări au o listă de canale preinstalate pentru satelitul cel mai popular din regiunea respectivă. Dacă acesta este și cazul țării dvs. selectate, veți fi întrebat dacă doriți să încărcați lista de canale preinstalate. Dacă selectați „Da”, lista de canale preinstalate va fi importată pe televizorul dvs. în câteva secunde. **SFAT:** Dacă lipsesc canale, cauza probabilă ar putea fi puterea semnalului; puteți conecta un amplificator de semnal și puteți regla din nou televizorul.

## Telecomanda

- STANDBY** – Porniți televizorul când este în standby sau viceversa.
- MUTE** – Opriți sunetul sau viceversa.
- 0 – 9** – pentru a selecta direct un canal TV.
- TV GUIDE** – Deschide Ghidul TV pe 7 zile (modul Digital).
- ↺** – Pentru a reveni la canalul vizualizat anterior.
- PICTURE** – Defilează prin opțiunile modului video.
- VOL ▲/▼** – Pentru a mări/micșora nivelul sunetului.
- CH ▲/▼** – Pentru a trece la următorul/anteriorul canal vizionat.
- SOUND** – Defilează prin opțiunile modului audio.
- SOURCE** – Pentru a afișa meniul de intrare/sursă.
- MENU** – Pentru a afișa meniul OSD.
- EXIT** – Pentru a ieși din toate meniurile.
- ▲/▼/◀/▶/OK** – Vă permite să navigați în meniurile de pe ecran și să reglați setările sistemului conform cu preferințele dvs.

14. **BACK** – Înapoi la meniul anterior.
15. **FAV** – Pentru a afișa meniul de preferințe.
16. **INFO** – Apăsați o dată pentru informații privind canalul curent/ următor. Apăsați de două ori pentru informații referitoare la programul curent.
17. **TEXT** – Mod Teletext - Pentru a accesa Teletextul.
18. **SUBTITLE** – Pentru a comuta dialogul în partea de jos a ecranului (activat/dezactivat).
19. **TV** – Comutați la sursa TV digitală.
20. **YouTube** – Afișează aplicația YouTube.
21. **NETFLIX** – Afișează aplicația NETFLIX
22. **NET+** – Afișează AQUOS NET+ meniul.
23. **Rec<sup>1</sup>** – Înregistrare PVR.
24. **⏮** – Pentru a reporni capitolul curent.
25. **⏭** – Pentru a avansa la capitolul următor.
26. **■** – Pentru a opri redarea.
27. **Rec List<sup>1</sup>** – Deschide lista de înregistrări.
28. **⏪** – Pentru a reda în modul de derulare rapidă înapoi.
29. **⏩** – Pentru a reda în modul de derulare rapidă înainte.
30. **⏸** – Pentru redare/pauză
31. **BUTOANE COLORATE** – Funcții suplimentare pentru teletext și OSD

<sup>1</sup> - disponibil doar cu funcția PVR

## Botões\* de televizião

**Vol+** Volume mais alto e menu à direita

**Vol-** Volume mais baixo e menu à esquerda

**CH+** Programa/Canal seguinte e menu para cima

**CH-** Programa/Canal anterior e menu para baixo

**MENU** Apresenta o menu/OSD

**SOURCE** Apresenta o menu de fontes de entrada

**STANDBY** Modo de espera Ligado/Desligado

\* - para televisores com botões

## Manípulo\* de controle do televisor

O manípulo de controle do televisor encontra-se no canto inferior esquerdo da parte de trás do televisor. Pode usá-lo em vez do telecomando para a maioria das funções do seu televisor.

**Enquanto o televisor está em modo de espera (standby):**

- carregar curto no manípulo de controle - Ligado

**Enquanto estiver a ver televisão:**

- DIREITA/ESQUERDA – volume mais alto/ volume mais baixo
- CIMA/BAIXO – muda o canal para cima/baixo
- carregar curto – Apresenta o Menu
- carregar longo – Em espera

**Quando no menu:**

- DIREITA/ESQUERDA/CIMA/BAIXO – navegação do cursor em menus no ecrã
- carregar curto – OK/Con rma o item selecionado
- carregar longo – Volta ao menu anterior

\* - para televisores com controlo analógico

## Selecionar Modo de Entrada/Fonte

Para alternar entre as diferentes entradas/ligações.

**a) Utilização dos botões do telecomando:**

1. Carregue em [SOURCE/☐]
2. O menu de fonte aparecerá. Carregue em [◀] ou [▶] para selecionar a entrada desejada.
3. Carregue em [OK].

**b1) Utilização dos botões\* do televisor:**

1. Carregue em [SOURCE].
2. Navegue para cima / baixo usando os botões VOL+/VOL- até à entrada/fonte desejada.
3. Carregue em [SOURCE] para alterar a entrada/fonte até à selecionada.

**b2) Usar o manípulo\* de controle do televisor:**

1. Carregue brevemente no manípulo de controle para entrar no menu.
2. Carregue no manípulo de controle para baixo e navegue com o cursor para o menu FONTES.
3. Carregue brevemente no manípulo de controle para entrar no menu FONTES.
4. Com o manípulo de controle, selecione a entrada/fonte que desejar.
5. Ao carregar brevemente no manípulo de controle, irá mudar a entrada/fonte para a que selecionou.

\* - opcional


## Conexiuni


**Consultați tabelul cu tipurile de conectori pentru diferitele modele disponibile la pagina 96.**

 **USB**  
Intrare USB 2.0 - 1, 2; Intrare USB 3.0 - 3

 **HDMI 1, 2 (ARC), 3 in**  
Intrare HDMI2.0 1, 2, 3

 **Cititor de carduri SD**  
Intrare Card SD

 **R/L - Video & YPbPr audio In**  
Intrare componentă/audio video


 **Video (CVBS)**  
Intrare VIDEO


 **Component/YPbPr**  
Intrare HD componentă

 **SCART**  
Intrare SCART

 **CI Card In**  
Intrare CI


 **RF In**  
Intrare RF/antena TV

 **Sat In**  
Intrare satelit

 **Digital Optical Audio Out**  
leșire optică digitală

 **RJ 45**  
Ethernet

 **CĂȘTI**  
leșire căști 3,5 mm

 **D-link**  
doar intrare de service

## Navigarea în meniul televizorului

Pentru a accesa acest meniu, apăsați butonul [MENU] pe telecomandă. Pentru a intra într-un meniu, apăsați pe [OK]. Dacă doriți să faceți modificări la setările implicite, folosiți butoanele de deflare (▲/▼/◀/▶). Pentru a confirma orice setare, apăsați butonul [OK]. Pentru a ieși în orice moment din acest meniu, apăsați butonul [EXIT].

## Netflix

Rețeaua de televiziune prin Internet lider în lume. Oferă mii de filme și emisiuni TV, inclusiv seriale originale, documentare și filme recomandate. Membrii pot reda, întrerupe și relua vizionarea, totul fără reclame sau angajamente. Vă puteți conecta la această aplicație cu contul dvs. existent Netflix. Dacă nu aveți încă un cont Netflix, vă puteți înregistra prin intermediul acestei aplicații sau pe site-ul web Netflix oficial.

## YouTube

Aplicația de partajare a videoclipurilor vă permite să descoperiți și să vizionați videoclipuri create în mod original.

**NOTĂ:** Pentru ca aplicația YouTube să funcționeze, trebuie să fi setat data și ora corecte pe televizor. Pentru informații suplimentare despre setarea datei/orei pe televizor, consultați capitolul referitor la meniul TIMP din acest ghid de utilizare. Asigurați-vă că rețeaua dvs. nu blochează accesul la YouTube și că viteza conexiunii dvs. la Internet este suficient de rapidă pentru vizualizarea conținutului YouTube.

## Mai multe apps

Conține aplicațiile cel mai frecvent utilizate pentru acces rapid și ușor.

**AQUOS NET+** - Deschide portalul Sharp SMART.

**Weather** - Aplicația de prognoză meteo AccuWeather.

**Browser** - Aplicație pentru accesarea site-urilor

web pe Internet. Navigare în browser:

- **CH+** - defilare pagină în sus
- **CH-** - defilare pagină în jos
- **Buton roșu** - afișare/ascundere bară de meniu browser
- **Buton galben** - Mărire
- **Buton albastru** - Micșorare

## Surse

Din acest meniu, puteți comuta semnalul de intrare al televizorului la o sursă diferită/dispozitiv conectat.

## Media

**USB** - Modul multimedia oferă posibilitatea de redare a diverselor conținuturi salvate pe un stick de memorie USB. Conținutul va fi împărțit în mai multe tipuri de fișiere: Imagini, muzică și filme.

„Opțiune fișiere” vă va afișa și vă va permite să redați toate tipurile de conținuturi suportate.

1. Puteți naviga în meniu cu ajutorul butoanelor de defilare ▲/▼/◀/▶. Pentru a confirma elementul pe care doriți să îl redați/vizualizați, apăsați butonul [OK].
2. În timpul vizualizării conținutului, puteți controla modurile de redare cu ajutorul butoanelor de pe telecomandă sau prin activarea meniului de navigare și prin selectarea butoanelor de pe ecran ▲/▼/◀/▶ și [OK]

**NOTĂ:** Cablurile de extensie USB nu sunt recomandate, deoarece pot cauza o reducere a calității video/audio și blocaje în timpul redării conținutului USB.

**Miracast\*** - Vă permite să vizualizați conținutul de pe smartphone sau tabletă pe ecranul televizorului. Conexiunea wireless este formată folosind Wi-Fi Direct, prin urmare accesul la o rețea Wi-Fi nu este necesar. Puteți partaja conținutul de pe smartphone sau tabletă pe baza sistemului Android 4.4 și a unei versiuni mai noi.

**Serverul Media** - Caută automat serverele media digitale (DMS) conectate la rețeaua locală și permite redarea conținutului de pe serverele media

\* - **Această funcție este disponibilă numai pe dispozitivele smartphone și notebook selectate.**

## Imagine

**Modul Imagine** - Alegeți între următoarele presetări.

- **Standard** - Setări implicite
- **Film** - Setare culori mai deschise și luminozitate redusă.
- **Personal** - Vă permite să modificați manual toate setările
- **Eco** - Consumă cu 15% mai puțină energie.
- **Dinamic** - Setări recomandate pentru imagini foarte dinamice

**Contrast** - Comutați balansul între alb și negru.

**Luminozitate** - Măriți sau micșorați luminozitatea imaginii.

**Color** - Accentuați culoare de la alb și negru.

**Claritate** - Măriți sau micșorați claritatea imaginii.

**Temperatură culoare** - Alegeți între următoarele presetări.

- **Normal** - Setări implicite
- **Cald** - Accentuează roșul din imagine
- **Rece** - Accentuează albastrul din imagine

**Raport de aspect** - Formatul imaginii variază în funcție

de canal/transmisie. Există o serie de opțiuni diferite

pentru a se potrivi în mod optim cu nevoile dvs.

- **Automat** - Afișează automat cel mai bun format de imagine.

Prin urmare, imaginea se află în poziția corectă. Poate prezenta linii negre în partea de sus/jos și/sau pe părțile laterale.

- **4:3** - Afișează imaginea 4:3 la dimensiunea originală. Barele laterale sunt afișate pentru a umple ecranul 16:9.

- **16:9** - Umple ecranul cu un semnal 16:9 normal.

- **Zoom 1/2** - Imaginea este proporționată corect, dar mărită pentru a umple ecranul.

- **Punct cu punct (HDMI)** - Va afișa imaginea la rezoluția originală fără nicio modificare.

- **Ecran complet** - Întinderea semnalului pentru a umple ecranul.

**Setări expert**

- **Reducere perturbații** - Filtrează și reduce zgomotul (interferența) imaginii

- **Contrastul activ** - Optimizează automat „lumina de fundal” și „contrastul” imaginii în funcție de luminozitatea ecranului.

- **Reglarea iluminării de fundal** - Reglați luminozitatea ecranului mărind/reducând iluminarea de fundal a panoului.

- **Gama** - Reglați nuanțele între porțiunile luminoase și întunecate ale imaginii.

- **Roșu** - Reglați nuanța de roșu a imaginii

- **Verde** - Reglați nuanța de verde a imaginii

- **Albastru** - Reglați nuanța de albastru a imaginii

## Sunet

**Modul Sunet** - Alegeți între următoarele presetări

- **Standard** - Setări implicite
- **Muzică** - Accentuează muzica în detrimentul vocilor
- **Film** - Furnizează sunet realist și complet pentru filme
- **Personal** - Selectează setările dvs. personale de sunet
- **Sport** - Accentuează sunetul pentru sport

**Egalizatorul** - Reglează volumul diferitelor frecvențe ale sunetului. Nivelurile egalizatorului pot fi reglate numai atunci când este selectat modul de sunet „Personal”.

**Căști**

- **HP+TV** - opțiune de redare simultană a sunetului pentru căști și boxele televizorului.
- **Volu** - reglați volumul pentru căști

**Balans** - Pentru a comuta sunetul între difuzoarele din stânga și din dreapta.



**Nivel volum automat** - Când se selectează „activat”, volumul va rămâne la un nivel constatat indiferent de intrare/sursă.

**DTS TruSurround** - Vă permite să ACTIVAȚI sau DEZACTIVAȚI efectul de sunet surround.

**Ieșire digitală** - Aceasta este ieșire audio digitală.

Alegeți între următoarele opțiuni:

- **Dezactivat** - Dezactivat
- **Automat** - Selectează automat cele mai bune setări
- **PCM** - Selectați această opțiune dacă vă conectați la Stereo Hi-Fi prin cablu digitală (modulația puls-cod [PCM] este o reprezentare digitală a unui semnal analogic)

**Descriere audio** - Piese audio suplimentară pentru nevăzătorii.

Disponibil doar pentru emisiunile DTV selectate.

**Volum DA** - pentru a regla volumul piesei audio pentru Descriere audio.

**Bandă audio** - vă permite să selectați setări diferite de sunet/limbă pentru media sau televiziune digitală.

**Decalaj audio (ms)** - Permite utilizatorului să regleze setarea sunetului pentru a sincroniza imaginea și sunetul pentru difuzoarele televizorului.

**Decalaj SPDIF (ms)** - Permite utilizatorului să regleze setarea sunetului pentru a sincroniza imaginea și sunetul pentru difuzoare externe conectate prin ieșire audio digitală.

## Setări

### CANAL

**Antenă DVB** - Setări tipul de semnal DTV

- **Terestru** - Terestru (DVB-T)
- **Cablu** - Cablu (DVB-C)

**Reglare automată** - Vă permite să reglați din nou televizorul pentru toate canalele digitale, stațiile radio digitale și canalele analogice.

**Reglare analogică manuală** - Vă permite să reglați manual semnalul analogic.

**Reglare digitală manuală** - Vă permite să reglați manual semnalul digital.

**Editare canal** - Vă permite să ștergeți, să omiteți și să adăugați canalele preferate.

- **Butonul roșu** - șterge canalul selectat.
- **Butonul galben** - mută canalul selectat. Mergați cu cursorul la canalul pe care doriți să îl mutați într-o poziție diferită, apoi apăsați butonul GALBEN. Acum mutați canalul selectat cu săgeata SUS/JOS în poziția dorită și apăsați din nou butonul GALBEN pentru a confirma această nouă poziție în lista de canale.
- **Butonul albastru** - omitere canal selectat. Canalele selectate cu opțiunea Omitere nu vor fi afișate când se apasă butoanele CH+ sau CH.

**Informații semnal** - Informații despre semnalul DVB.

**Informații CI** - Serviciile de vizionare cu plată necesită introducerea unui „smartcard” în televizor. Dacă vă abonați la un serviciu de vizionare cu plată, furnizorul vă va elibera un „CAM” și un „smartcard”. CAM poate fi apoi introdus în PORTUL INTERFEȚEI COMUNE (card CI introdus).

**LCN** - Setări LCN la ACTIVAT dacă doriți să aranjați canalele după preferințele furnizorului (se aplică doar pentru canalele DVB-T și DVB-C).

**Actualizare automată canale** - dacă activați această opțiune, pozițiile, numele și frecvențele canalelor vor fi actualizate periodic de operator. Acest lucru poate cauza probleme, dacă ați ordonat singur canalele din lista de canale. În acest caz, vă recomandăm să păstrați această opțiune dezactivată.

**Listă înregistrări\*** - Lista emisiunilor TV înregistrate.

**Listă programări** - Liste de mentenuri pentru programe.

**Configurare satelit** - Acest meniu este disponibil doar în modul DVB-S2. Puteți selecta tipul de satelit, dispozitivul de recepție-transmisie și tipul de LNB etc.

**OAD (Actualizare software)** - Pornire/Oprire actualizări software OAD (Over Air Download).

\* - doar pentru dispozitivele cu funcție PVR încorporată

### REȚEA

**Configurarea rețea** - Mai întâi va trebui să selectați tipul de conexiune. Puteți alege între conexiunile Wi-Fi și prin cablu.

**NOTĂ:** Pentru conectarea la internet prin cablu, conectați un cablu Cat 5/Ethernet (care nu este inclus în pachet) de la televizor la modemul/routerul de bandă largă.

**Configurare IP** - Setări de conexiune pentru rețea LAN

- **Auto** - Va conecta automat televizorul la rețeaua locală (aceasta este setarea implicită și recomandabilă)
- **Manual** - Vă permite modificarea manuală a informațiile legate de IP, Netmask, Gateway și DNS.

**Configurarea Wi-Fi** - Setări de conexiune la rețeaua wireless

- **Căutare automată Wi-Fi** - Sunt căutate automat rețelele wireless disponibile. Selectați rețeaua Wi-Fi dorită și apoi introduceți parola (în cazul în care rețeaua este protejată cu parolă). Odată parola acceptată, aceasta nu va mai fi solicitată din nou.

**NOTĂ:** Procesul de conectare poate dura câteva minute, vă rugăm să aveți răbdare. Ulterior, de fiecare dată când va fi pornit, televizorul se va conecta automat la rețea, iar acest proces poate dura.

**Informații rețea** - Informații referitoare la setările rețelei.

**Test rețea** - Un test de conexiune la rețea.

### TIMP

**Sincronizare automată** - Setează automat ora și data pe televizor.

Necesită reglarea televizorului cu un semnal digital și/sau o conexiune la internet. Dezactivați funcția „Sincronizare automată” pentru a regla manual setările de oră și dată. Dacă funcția „Sincronizare automată” este dezactivată cu ora și data reglate manual, aceste informații vor fi resetate la deconectarea alimentării televizorului.

**Ceas** - Afișează data și ora. Poate fi reglat când funcția „Sincronizare automată” este dezactivată.

**Timpe oprire** - Vă permite să setați o anumită oră la care televizorul să se oprească.

**Timpe pornire** - Vă permite să setați o anumită oră la care televizorul să se pornească, canalul pe care îl va afișa la momentul respectiv, sursa pe care se va afla și, de asemenea, volumul. Această funcție poate fi apoi comutată să se repete în fiecare zi sau într-o anumită zi.

**Temporizator mod inactiv** - Vă permite să setați temporizatorul modului inactiv astfel încât televizorul să se oprească automat după perioada setată de timp. Oprit -> 10 min -> 20 min -> 30 min -> 60 min -> 90 min -> 120 min -> 180 min -> 240 min.

**Temporizator OSD** - Vă permite să reglați perioada de timp în care meniul de pe ecran rămâne activ înainte de a dispărea.

**Standby automat** - Reglare pentru standby automat în trepte de câte o oră: Oprit -> 3 h -> 4 h -> 5 h.

**Fus orar** - Modificați fusul orar curent.

### BLOCARE

**Blocare sistem** - Vă permite să blocați sau deblocați meniul.

Vi se va solicita să introduceți o parolă din 4 cifre. Utilizați butonul ◀ pentru a abandona introducerea parolei. Utilizați butonul ▶ pentru ștergere. Parola implicită este 0000.

**Setare parolă** - Modifică parola implicită.

**Blocare canal** - Blocați anumite canale TV.

**Control parental** - Blochează canalele TV în funcție de restricția de vârstă.

**Blocare taste** - Vă permite să blocați stickul de comandă de pe partea din spate a televizorului.

**Blocare sursă** - Vă permite să ascundeți intrările selectate din meniul sursă.

**Mod Hotel** - Setări avansate pentru hoteluri.

### SETARE

**Limbă** - Vă permite să modificați limba meniului.

**Limbi audio** - Vă permite să modifica limba audio pentru canalele DVB selectate.

**Limbă subtitrări** - Vă permite să modificați limba subtitrărilor pentru canalele DVB selectate.

**Handicap auditiv** - Dacă semnalul oferă asistență pentru persoanele cu handicap auditiv, subtitrările pot fi redare apăsând pe „Subtitrare”. Dacă **ACTIVAȚI** setarea Handicap auditiv și comutați la un canal care oferă asistență pentru persoane cu handicap auditiv, subtitrările vor fi activate în mod automat.

**Ecran albastru** - Modifică fundalul atunci când nu există nicio intrare într-un fundal transparent și un fundal albastru (disponibil doar pe unele surse).

**Sistem de fișiere PVR** - Opțiuni de înregistrare PVR\*

- **Selectare disc** - Selectați portul USB și partiția de disc
- **Dimensiuni interval comutare** - Setări intervalul de timp pentru limitatorul de comutare.
- **Formatare** - Puteți formata dispozitivul de stocare USB conectat în sistemul de fișiere FAT 32.

**AVERTISMENT: TOATE DATELE DE PE DISPOZITIVUL USB VOR FI ȘTERSE**

- **Viteză** - Testează viteza de scriere a dispozitivelor de stocare USB conectate.

\* - **doar pentru dispozitivele cu funcție PVR încorporată**

**Prima instalare** - Pornește prima instalare.

**Actualizare software (USB)** - Din când în când, este posibil să lansăm versiuni noi de firmware pentru a îmbunătăți funcționarea televizorului (disponibile pentru descărcare). Acest meniu vă permite să instalați noua versiune de software/firmware pe televizor.

Detalii suplimentare referitoare la modul de instalare vor fi emise împreună cu versiunea firmware. Contactați linia de asistență telefonică sau consultați site-ul Web [www.sharp.eu/av/](http://www.sharp.eu/av/).

**Actualizare software (NET)** - Permite actualizarea software-ului prin internet. Această funcție va căuta software-ul nou și îl va actualiza atunci când este necesar.

**NOTĂ:** De fiecare dată când este pornit, televizorul va căuta automat noile versiuni de software. În cazul în care este identificat un nou software, veți fi întrebat dacă doriți ca acesta să fie descărcat și instalat. Dacă selectați „Da”, televizorul va primi ultima versiune de software.

**AVERTISMENT:** Nu opriți televizorul înainte de finalizarea actualizării!

**Resetare TV** - Resetează meniurile la setările din fabrică.

**HDMI CEC\*** - Vă permite să utilizați dispozitive conectate prin HDMI cu telecomanda televizorului.

- **Listă dispozitive\*** - Vă permite să accesați meniul dispozitivelor și să folosiți meniul cu ajutorul telecomenzii televizorului.
- **HDMI CEC** - activare/dezactivare funcție HDMI CEC.
- **Standby automat\*** - Porniți/opriți automat dispozitivele conectate prin HDMI CEC
- **HDMI ARC\*** - Trimite semnalul audio de la transmisia terestră/ prin satelit prin HDMI la receptorul AV fără a folosi cabluri audio suplimentare; această funcție este disponibilă doar pe ieșirea HDMI 2.

\* - **HDMI CEC trebuie să fie acceptat de dispozitivul conectat.**

**HDMI EDID** - transmite capacitățile televizorului (rezoluție, compatibilitate audio etc.) direct la dispozitivele conectate prin HDMI. Acest element vă permite să comutați modurile intrării HDMI selectate între modul HDMI 1 și HDMI2.0.

- **Standard** - recomandat dacă televizorul este conectat la un dispozitiv cu o ieșire HDMI 1.4 sau inferioară, de exemplu, player Blu-Ray Full HD, DVD player sau consolă de jocuri.
- **Îmbunătățire** - recomandat dacă televizorul este conectat la un dispozitiv cu o ieșire HDMI 2.0, de exemplu, player Blu-Ray 4K sau PC modern.

**Stare LED** - Permite utilizatorului să APRINDĂ sau să STINGĂ indicatorul de alimentare cu LED în timpul utilizării televizorului. (când această opțiune este setată la DEZACTIVAT, indicatorul de alimentare cu LED va lumina intermitent când se utilizează telecomanda).

**HbbTV** - li permite utilizatorului să activeze/dezactiveze HbbTV.

Pentru a utiliza HbbTV, televizorul trebuie să fie conectat la Internet, iar canalul vizionat trebuie să accepte serviciul HbbTV.

**Informații versiune** - indică versiunea de software a televizorului.

**Editare sursă** - permite utilizatorului să redenumescă manual elementele din lista surselor de intrare. De exemplu, puteți redenumi intrările cu numele dispozitivelor conectate.

## AQUOS NET+

AQUOS NET+ vă oferă ocazia de a vă bucura de o varietate de aplicații sau de a naviga pe Web de pe televizorul dvs. LCD AQUOS. Pentru a accesa meniul AQUOS NET+ în orice moment, apăsați butonul NET+ de pe telecomandă sau selectați-l din meniul Mai multe aplicații.

**NOTĂ:** Așteptați până când televizorul se conectează la rețeaua Wi-Fi.

Poate dura câteva minute din momentul în care porniți televizorul. Navigați prin meniu cu ajutorul butoanelor de navigare ▲/▼/◀/▶. Pentru a confirma elementul pe care doriți să îl redăți/vizualizați, apăsați butonul [OK]. Pentru a reveni la meniul anterior, apăsați butonul [Meniu] și accesați funcțiile suplimentare cu ajutorul butoanelor colorate.

Pentru a părăsi meniul AQUOS NET+ apăsați butonul [IEȘIRE].

**Pornire** - Ecranul principal cu filmele recomandate și cu ultimele aplicații deschise

**Toate Apps** - Deschide o listă cu aplicațiile disponibile

**Filme** - Deschide o listă cu filmele disponibile

**Emisiuni TV** - Deschide o listă cu emisiunile disponibile

**Muzică** - Deschide o listă cu muzica și videoclipurile disponibile

**Jocuri** - Listă de jocuri și aplicații conexe de gaming.

**Sportiv** - Listă de aplicații conexe de sport.

**Știri** - Listă de aplicații de știri.

**Căutare** - căutarea unei aplicații prin introducerea numelui acesteia sau a unei părți din nume.

**Aplicațiile mele** - Adăugând aplicații în lista „Aplicațiile mele”, veți putea accesa rapid aplicațiile dvs. preferate. Pentru a adăuga o aplicație în listă, evidențiați orice aplicație și apăsați butonul verde; aplicația va apărea acum în lista „Aplicațiile mele”. Pentru a elimina o aplicație nedorită din lista „Aplicațiile mele”, trebuie să evidențiați aplicația pe care doriți să o ștergeți și să apăsați butonul VERDE.

**Setări** - În meniul setări, puteți schimba limba portalului Aquos NET+, puteți configura un filtru pentru aplicații specific limbii selectate și puteți reinițializa toate setările la valorile implicite.

**REINIȚIALIZAREA SETĂRILOR DE UTILIZATOR:** Dacă doriți să reinițializați complet toate setările de utilizator de pe AQUOS NET+, trebuie mai întâi să intrați în meniul Setări al portalului și să selectați „Reinițializare dispozitiv”. Selectați DA cu ajutorul cursorului și apoi apăsați OK pe telecomandă pentru a confirma reinițializarea setărilor. **NOTĂ:** Pentru a răspunde cerințelor clienților noștri, produsele noastre sunt îmbunătățite constant. În urma eforturilor noastre continue, vor fi adăugate aplicații noi în meniul AQUOS NET+. Aplicațiile și conținutul meniului AQUOS NET+ pot fi modificate fără a fi anunțate în prealabil. Este posibil ca unele dintre funcții sau conținuturi să nu fie disponibile în țara dumneavoastră.

## Ghid TV pe 7 zile

Ghidul TV este disponibil în modul TV Digital. Oferă informații despre programele viitoare (dacă este acceptat de canalul digital). Puteți vizualiza ora de începere și de terminare a tuturor programelor pe toate canalele pentru următoarele 7 zile și puteți seta memento-uri.

1. Apăsați pe **[TV GUIDE]**. Va apărea următorul Ghid TV pe 7 zile.

2. Navigați în meniu folosind butoanele ▲/▼/◀/▶.

**Acum, puteți:**

Înregistra canalul TV și emisiunea TV selectată apăsând butonul ROȘU.\*

Setați un memento apăsând pe butonul VERDE.

Vizualizați o zi anterioară apăsând pe butonul GALBEN.

Vizualizați ziua următoare apăsând pe butonul ALBASTRU.

[INFO] afișează informații detaliate despre postul selectat

3. Apăsați pe **[EXIT]** pentru a ieși din Ghidul TV pe 7 zile

\* - **doar pentru modelele cu funcție de înregistrare**

## Înregistrare USB - Mod digital\*

În acest televizor este încorporată o funcție de înregistrare USB. Funcția este disponibilă în modul Digital atunci când acesta este utilizat împreună cu un stick de memorie USB sau cu o unitate de disc USB compatibilă.

Avantajele acestei funcții sunt următoarele:

- Întreruperea emisiunilor TV în timp real și apoi redarea, derularea rapidă înainte și înapoi a acestora (inclusiv a emisiunilor TV în timp real).
- Înregistrarea prin simplă apăsare a unui buton, dacă decideți că vreți să înregistrați programul curent.
- Înregistrare ușor programabilă din Ghidul TV pe 7 zile

Din cauza naturii acestui produs, trebuie să utilizați un stick de memorie USB de mare viteză (deoarece televizorul citește de pe stickul de memorie și scrie pe acesta în același timp, este posibil ca unele stickuri de memorie să nu fie adecvate).

Specificații minime - Stick de memorie USB

- **Viteză de citire** - 20 Mb/s (megabiți pe secundă)
- **Viteză de scriere** - 6 Mb/s (megabiți pe secundă)

## Întrerupere emisiuni TV în timp real (Comutare interval)\*

Întreruperea emisiunilor TV în timp real este foarte simplă.

- Apăsăți butonul de redare/pauză și televizorul va întrerupe conținutul în timp real, iar acesta va fi înregistrat. Pentru a relua vizionarea, apăsați din nou butonul de redare/pauză.
- Apăsăți butonul de derulare rapidă înainte pentru a derula înainte o înregistrare (de ex. pentru a sări peste reclame).
- Apăsăți butonul de derulare rapidă înapoi pentru a derula înapoi o înregistrare (de ex. dacă ați derulat rapid înainte prea mult).

**SFAT:** Când comutați televizorul în standby sau când schimbați canalul, memoria pentru comutarea intervalului este ștearsă. Pentru a reporni comutarea intervalului, trebuie să apăsați pe butonul de redare/pauză.

## Înregistrare cu un singur buton

Puteți decide în orice moment să înregistrați canalul curent pe care îl

vizionați. Pentru a face acest lucru, trebuie să apăsați butonul [REC].

**SFAT:** Acest televizor conține un tuner TV, prin urmare poate înregistra doar canalul pe care îl vizionați sau poate înregistra un canal în timp ce se află în modul standby.

**NOTĂ:** Funcția de înregistrare USB este disponibilă doar în modul TV Digital. Din cauza legislațiilor privind drepturile de autor și copierea/înregistrarea ilegală, nu este posibilă înregistrarea pe/de pe alte surse de intrare/ieșire.

\* - doar pentru dispozitivele cu funcție PVR încorporată

## HDR (High Dynamic Range)

Funcția HDR elimină câteva dintre limitările unui semnal video standard și afișează imaginea construită cu o gamă mai amplă de culori și luminozitate.

**NOTE:**

- Funcția HDR se va activa în mod automat, dacă se detectează un semnal HDR, cu condiția ca HDMI EDID să fi fost setat la „Îmbunătățire” în meniul „SETARE”.
- Acest televizor poate afișa conținut HDR prin intrările HDMI sau USB.
- Dacă vă conectați printr-unul dintre porturile HDMI, dispozitivul extern trebuie să accepte, de asemenea, HDR, HDMI2.0 și să redea conținut în format Mastered HDR.
- Acest dispozitiv nu acceptă conținut HDR din aplicații încorporate, cum ar fi Netflix sau YouTube.

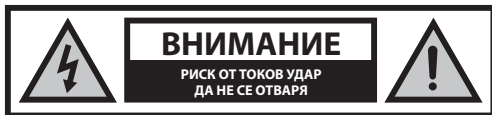
## Fișă produs

Marca	
Model	LC-50U1722E LC-50U17322E LC-50U17422E
Clasa de eficiență energetică	A+
Dimensiune ecran vizibil (diagonală)	50" / 127cm
Consumul de putere în modul Pornit	70,0 W
Consum de energie anual*	102 kWh
Consum de energie în standby**	<0,50 W
Consum de energie în modul Oprit	N/A
Rezoluția ecranului	3840 (H) x 2160 (V)

\* - Consum de energie XYZ kWh pe baza consumului de energie al televizorului, la o funcționare de 4 ore pe zi, timp de 365 zile. Consumul efectiv de energie depinde de modul de utilizare a televizorului.

\*\* - când televizorul este oprit de la telecomandă și nu este activă nicio funcție

## Важни инструкции за безопасност



**Преди да започнете работа с уреда, моля прочетете инструкциите за безопасност и спазвайте предупрежденията, посочени по-долу:**

**С цел предотвратяване на пожар винаги дръжте свещи или други източници на открит огън далеч от този продукт.**



- Телевизорите с екрани от 43" трябва да бъдат повдигнати и носени от поне двама души.
- Този телевизор не съдържа части, които биха могли да се поправят от потребителя. В случай на повреда се свържете с производителя или с упълномощен сервиз. Допирът до определени части, намиращи се в телевизора може да бъде опасен за живота Ви. Гаранцията не е валидна в случай на повреди вследствие на ремонти, извършвани от неупълномощени трети страни.
- Не сваляйте задната част на уреда.
- Това устройство е проектирано за получаване и възпроизвеждане на видео и звукови сигнали. Всякакъв вид друга употреба е строго забранена.
- За да изключите телевизора от основното електрозахранване, моля, извадете щепсела от контакта.
- В случай че захранващият кабел бъде повреден, той трябва да бъде заменен от производителя, негов сервиз или от лице с подобна квалификация с цел да бъде избегната евентуална опасност.
- Идеалното разстояние за гледане на телевизия е приблизително диагонала на екрана, умножен по пет пъти. Отраженията върху екрана от други източници на светлина могат да влошат качеството на картината.
- Уверете се, че телевизорът е поставен на достатъчно проветриво място, както и че не е разположен в непосредствена близост до други електроуреди или домакинско обзавеждане.
- Необходимо е да оставите отстояние от най-малко 5 см от всяка от страните на аудио системата, за да бъде осигурена необходимата вентилация
- Уверете се, че вентилационните отвори не са закрити от предмети, като например вестници, покривки, завеси и т.н.
- Телевизорът е проектиран за използване при умерени климатични условия.
- Пазете телевизора от капещи или разливащи се течности.
- Той трябва да бъде използван единствено на сухи места. Когато използвате телевизора на открито, моля уверете се, че е защитен от вода (дъжд, разливаща се вода). Никога не излагайте този електроуред на вода.
- Не поставяйте никакви предмети, съдове с течности, като вази и др. върху телевизора. Те могат да бъдат бутнати, което би довело до опасност от токов удар. Поставяйте телевизора единствено върху плоски и стабилни повърхности. Не поставяйте предмети, като например вестници, покривки и т.н. върху или под телевизора.
- Уверете се, че уредът не е поставен върху захранващи кабели. Това би ги повредило. Мобилни телефони и други устройства, като безжични мрежови карти, камери за наблюдение с безжично предаване и т.н. могат да причинят електромагнитни смущения и не трябва да бъдат поставяни в близост до уреда.
- Не поставяйте телевизора в близост до уреди, източник на висока температура, както и на места с пряка слънчева светлина, тъй като това оказва отрицателно влияние върху охлаждането му. Акумулирането на топлина е опасно и може сериозно да намали живота на устройството. Обърнете се към квалифицирано лице за почистване на натрупаната мръсотия от уреда, с цел осигуряване на безопасната му работа.
- Пазете мрежовия кабел и адаптер от повреждане. Уредът може да бъде свързан единствено с предоставените мрежов кабел / адаптер.
- Бурите представляват опасност за всички електроуреди. Ако главното захранване или антената бъдат поразени от мълния, уредът може да бъде повреден дори и когато е изключен. Преди буря трябва да изключите всички кабели и конектори от устройството.
- За почистване на екрана използвайте единствено влажна и мека кърпа. Използвайте само чиста вода, никога почистващи препарати и в никакъв случай разтворители.
- Поставте телевизора в близост до стена, с цел избягване на възможността от падане, в случай че бъде бутнат.
- **ВНИМАНИЕ:** Никога не поставяйте телевизора върху нестабилно място. Той може да падне и да причини сериозно физическо нараняване или смърт. Много наранявания, особено на деца, могат да се избегнат като се предприемат следните лесни предпазни мерки:
  - Използвайте шафове или стойки, препоръчани от производителя на телевизора.
  - Използвайте само мебели, които могат безопасно да служат за опора на телевизора.
  - Уверете се, че телевизорът не виси над ръба на тези мебели.
  - Не поставяйте телевизора върху високи мебели (напр. бюфети или етажерки) без да захванете както мебелите, така и телевизора към подходяща опора.
  - Не поставяйте телевизора върху покривка или други материали, които могат да се намират между телевизора и служещите за опора мебели.
  - Запознайте децата с опасностите при катерене върху мебелите, за да достигнат телевизора или бутоните му.
  - Уверете се, че децата не се катерят и не висят върху телевизора.
  - Ако настоящият Ви телевизор бъде запазен и преместен, трябва да се приложат същите предпазни мерки.
- Описаните по-долу инструкции показват безопасен начин за прикрепване на телевизора към стената. По този начин могат да бъдат избегнати прекатурването му напред и причиняването на наранявания или повреди.
  - За да извършите този вид монтаж, ще Ви бъде нужно въже за прикрепване.
    - A) Използвайки единия или двата дюбела, както и винтове (винтовете са приложени заедно с дюбелите), затегнете единия край на въжето за прикрепване към телевизора.
    - B) Прикрепете другия край на въжето към стената.
  - Софтуерът на Вашия телевизор, както и екранното оформление могат да бъдат променени без предварително известие.
  - Забележка: В случай на електростатичен разряд (ESD) уредът може да показва неправилна функция. Ако това се случи, изключете телевизора, след което го включете наново. Телевизорът ще започне да работи нормално.

### ВНИМАНИЕ:

- Не използвайте телевизора непосредствено след разопаковане. Преди да го включите изчакайте, докато се аклиматизира до стайна температура.
- Никога не свързвайте външни устройства докато телевизорът е включен. Изключвайте не само телевизора, а и устройствата, които се свързват. Включете щепсела на телевизора в контакта на стената, след като сте свързали външните устройства и кабела на антената.
- Винаги се уверявайте, че има достъп до захранващ кабел на телевизора.
- Уредът не е предназначен за употреба на работно място, оборудвано с монитори.
- Системната употреба на слушалки при висока сила на звука може да доведе до необратими увреждания на слуха.
- Уверете се, че уредът и всички негови компоненти, включително батерии, ще бъдат изхвърлени по безопасен за околната среда начин. При съмнения относно последното, се свържете с местните власти, от които ще получите повече информация за начините на рециклиране.
- При монтиране на устройството не забравяйте, че повърхностите на различните мебели обикновено са обработени с лакове, пластмаси и т.н. или са полирани. Химикалите, които се съдържат в тези продукти могат да създадат реакция с поставката на телевизора. Това може да доведе до залепване на части от материала за повърхността на

мелбите, след което премахването им би било трудно или дори невъзможно.

- Екранът на Вашия телевизор е произведен при условия на най-високо качество и е неколкотократно проверван детайлно за дефектни пиксели. Поради технологичните особености на производствения процес, пълното елиминиране на минималния брой дефектни пиксели на екрана не е възможно (дори при максимална грижа в процеса на производство). Тези дефектни пиксели не се считат за дефекти, по отношение на гаранционните условия, в случай че техния брой не надвишава границите, определени в стандарта DIN.
- Производителят не носи отговорност за проблеми, свързани с потребителското обслужване на съдържание или услуги, предоставени от трети лица. Всякакви въпроси, коментари или запитвания, отнасящи се към съдържание или услуги, предоставени от трети страни следва да бъдат отправяни директно към доставчика на съдържание или услуги.
- Съществуват различни причини, поради които е възможно да нямате достъп до съдържание или услуги от устройството, които не са свързани със самото устройство, включително, но не само, прекъсване на електричеството, връзката с Интернет, или неправилно конфигуриране на устройството Ви. Universal Media Corporation, нейните мениджъри, ръководители, служители, представители, изпълнители и подразделения не носят отговорност пред Вас или трета страна по отношение на такава невъзможност или прекъсвания за поддръжка, независимо от причината, и евентуалната възможност последните да биха могли да бъдат избегнати.
- Цялото съдържание или услуги на трети страни, достъпно чрез това устройство Ви се предоставя "както-е" и "както е налично" и Universal Media Corporation и нейните подразделения не Ви предоставят каквито и да било гаранции, директни или косвени, включително, без ограничение, всички гаранции за продаваемост, липса на нарушение, пригодност за определена цел, или каквито и да било гаранции за годност, достъпност, точност, пълнота, сигурност, заглавие, полезност, безпогрешна или непрекъсната работа или използване на съдържанието или услугите, които са Ви предоставяни, или че това съдържание или услуги ще отговарят на Вашите изисквания или очаквания.
- "Universal Media Corporation" не е представител и не поема отговорност за действията или бездействията на третите страни, доставчици на съдържание или услуги, нито за който и да било аспект на съдържанието или услугата, свързана с такива доставчици.
- В никой случай "Universal Media Corporation" и/или нейните подразделения не носят отговорност към Вас или други трети страни за каквито и да било преки, косвени, специални, случайни, наказателни, закономерни или други щети, независимо дали теорията за отговорност се основава на договор, незакономерно увреждане, небрежност, нарушение на гаранцията, безвиновна отговорност и т.н. и дали Universal Media Corporation и/или нейните подразделения не са били предупредени за възможността от възникването на такива щети.

### Важна информация относно използването на видео игри, компютри, надписи и други програми с фиксиран образ.

- Продължителната употреба на програмни материали с фиксиран образ може да доведе до постоянна "сянка в образа" на точнокористен экран (понякога неправилно наричано "прегаряне на екрана"). Тази сянка в образа остава постоянно видима във фонов режим. Това е необратима повреда. Можете да я избегнете, като следвате инструкциите, посочени по-долу:
- Намалете настройката за яркост/контраст до възможно най-ниските нива, на които можете да гледате.
- Не възпроизвеждайте фиксиран образ за дълги периоди от време. Избягвайте възпроизвеждането на:
  - » Време и диаграми на Телетекст,
  - » TV/DVD меню, напр. DVD съдържание,
  - » при задържане в режим „Пауза“: Не използвайте този режим за големи периоди, например докато гледате DVD или видеоклип.
  - » Изключвайте уреда, когато не го използвате.



Cd

### Батерии

- При поставянето на батериите обърнете внимание дали поляритетът е спазен правилно.
- Не изхвърляйте батериите на високи температури и не ги оставяйте на места, където температурата би могла да се повиши бързо (като например близо до огън или на директна слънчева светлина).
- Не излагайте батериите на силна лъчиста топлина, не ги хвърляйте в огън, не ги разглобявайте и не се опитвайте да презареждате батерии, които не са специално пригодени за това. В противен случай е възможно те да протекат или да експлодират.
  - » Никога не използвайте заедно различни батерии и не смесвайте нови и стари такива.
  - » Изхвърляйте изразходените батерии по безопасен за околната среда начин.
  - » Изхвърлянето на батерии е регулирано със закон в повечето страни от ЕС.

### Извеждане от експлоатация

- Не изхвърляйте този телевизор наред с другите битови отпадъци. Върнете го в някой от определените центрове за рециклиране съгласно Директивата за ИУЕЕО. По този начин подпомагате запазването на ресурси и защитавате околната среда. За повече информация се свържете с най-близкия до Вас търговец или с местните власти.



### СЕ Декларация:

- С настоящото UMC Poland Sp. z o.o. декларира, че този LED телевизор е в съответствие със съществени изисквания и другите приложими разпоредби на Директивата за RED 2014/53/EU. Пълният текст на декларацията за съответствие на ЕС можете да прочетете на адрес <https://www.sharpconsumer.eu/documents-of-conformity/>

### Търговски марки

- Термините HDMI, HDMI High-Definition Multimedia Interface, както и логото HDMI са търговски марки или регистрирани търговски марки на HDMI Licensing, LLC в САЩ и други страни.
- Логото "DIGITALEUROPE UHD Display" е търговска марка на DIGITALEUROPE.
- Логото DVB е регистрирана търговска марка на проекта Digital Video Broadcasting /Цифрово видео предаване/ - DVB.
- Произведено по лиценз на Dolby Laboratories Dolby, Dolby Audio и символът двойно "D" са регистрирани търговски марки на Dolby Laboratories.
- За патенти на DTS вижте <http://patents.dts.com>. Произведено по лиценз на DTS Licensing Limited. DTS, Символът, както и DTS и Символът заедно са регистрирани търговски марки. DTS Studio Sound е търговска марка на DTS, Inc. © DTS, Inc. Всички права запазени.
- YouTube – Показване на приложението YouTube.
- Логото Wi-Fi CERTIFIED е сертификационен знак на Wi-Fi Alliance.
- Wi-Fi CERTIFIED Miracast и Miracast са търговски марки на Wi-Fi Alliance.
- DLNA, логото DLNA и DLNA CERTIFIED са търговски марки, марки за услуги или сертификационни знаци на Digital Living Network Alliance.
- Harman Kardon е търговска марка на HARMAN International Industries, Incorporated, регистрирана в САЩ и/или други държави.

## Какво е включено в пакета

### При закупуване на този телевизор, ще получите следните елементи:

- Телевизор - 1 бр.
- Пакет за монтаж на телевизионната поставка - 1 бр.
- Дистанционно управление - 1 бр.
- Ръководство на потребителя - 1 бр.
- Батерии размер AAA - 2 бр.
- Комплект за монтиране на стена – 1 бр. (винтове М6х35 – 4 бр. и пластмасови разделители – 4 бр.)

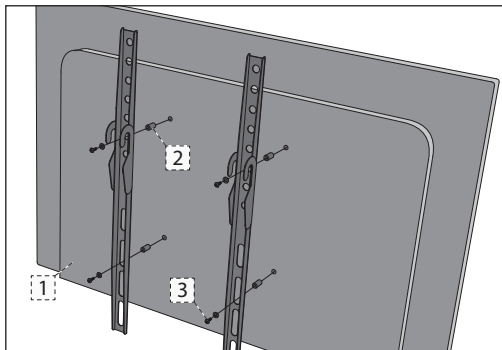
## Прикрепване на поставката

Следвайте стъпките, описани на последната страница на настоящото ръководство.

## Монтиране на телевизора на стената

1. Извадете четирите винта, които са поставени в отворите за монтиране.
2. Стойката за монтиране на стена може лесно да бъде прикрепена към отворите, разположени върху задната страна на телевизора.
3. Монтирайте конзолата, спазвайки съветите на производителя.

Ако конзолата бъде прикрепена към модел от 50", е препоръчително използването на по-дългите винтове и пластмасови разделители, предоставени в пакета с аксесоари, вместо оригиналните винтове от монтажните отвори на телевизора. Поставете разделителите в монтажните отвори върху задната страна на телевизора, след което разположете стенните конзоли върху тях. Прикрепете конзолите и разделителите към телевизора с помощта на дълги винтове, както е показано по-долу:



1. ТЕЛЕВИЗОР
2. РАЗДЕЛИТЕЛ
3. ВИНТ

**ЗАБЕЛЕЖКА:** Видът на телевизора и стенната конзола е илюстративен и служи единствено за пояснение.

## Първи стъпки - първоначална настройка

1. Свържете телевизора с антенното гнездо на стената, използвайки радиочестотен кабел.
2. За свързване към Интернет с кабелна връзка свържете Cat 5/ Ethernet кабел (не е включен) от телевизора към широколентов модем/рутер.
3. Свържете захранващ кабел за задната част на телевизора, след което го включете в електрически контакт.
4. Поставете предоставените Ви батерии в дистанционното управление.
5. След това натиснете бутона за поставяне в режим на готовност, за да включите телевизора.
6. Ще се появи екранът за първоначална инсталация /Първоначална инсталация/. В случай че такъв не се появи, натиснете [MENU] /МЕНЮ/ и 8-8-8-8 върху дистанционното управление, след което менюто ще бъде показано. Ако желаете да направите промени в някои от фабрично зададените настройки, използвайте бутоните за превъртане (▲/▼/◀/▶). За изход от менюто във всеки един момент, натиснете бутон [EXIT] /ИЗХОД/.
7. Изберете желаните от Вас настройки в екран Първоначална инсталация.

**СТЪПКА 1** - Задаване на език за менюто на телевизора.

**СТЪПКА 2** - Задаване на държава.

**СТЪПКА 3** - Задаване на тип мрежова връзка. Ако желаете да пропуснете тази стъпка и да свържете телевизора към мрежата по-късно, моля изберете Пропускане на мрежовата настройка.

**СТЪПКА 4** - Избор на местоположението на телевизора. За употреба в домашни условия, изберете Дом. За режим на демонстрация в магазин, задайте Магазин.

**СТЪПКА 5** - Избор за разположение на телевизора върху поставка или монтиране на стена. Телевизорът ще зададе оптималните аудио настройки в съответствие с избраната опция.

**СТЪПКА 6** - Избор на източник на входен сигнал, който да бъде използван. Ако сте свързали радиочестотния кабел директно към телевизора, изберете DTV /Цифрова телевизия/. В случай че сте свързали сателитен приемник директно към телевизора, изберете DVB-S /Цифрово видео предаване – Сателит/\*. Ако използвате кабел декодер, моля изберете правилния източник на входен телевизионен сигнал, който сте свързали към телевизора.

8. В случай че в предишната стъпка сте избрали DTV или DVB-S2, ще бъдете попитани дали желаете да настроите каналите. Ако изберете "Не", можете да настроите каналите впоследствие посредством меню НАСТРОЙКИ/КАНАЛ. При избор на "Да", ще се появи меню за настройка.

**Настройване на цифрова телевизия (DTV):** В Цифров тип изберете типа входен сигнал. Наземен (DVB-T) или кабелен (DVB-C). След това влезте в Автоматична настройка и задайте желаните настройки. Изберете Автоматична настройка, за да стартирате настройване на каналите.

**Сателитна настройка (DVB-S2):** Влезте последователно в Автоматична настройка и в Сателит. От тук можете да изберете измежду различните сателити. Изберете сателита, който желаете да настроите чрез натискане на бутон ОК върху дистанционното управление. След това се върнете към предишното меню с помощта на бутон НАЗАД върху дистанционното управление и изберете Автоматична настройка, за да стартирате настройване на каналите.

**ЗАБЕЛЕЖКА:** С цел намаляване времето за настройване на сателитните канали, в някои държави съществува списък с предварително настроени канали за най-популярните

сателити в района. Ако това е така за държавата, която сте избрали, ще бъдете запитани дали искате да заредите списък с предръжително настроени канали. В случай че изберете "Да", списъкът със сателитни канали ще бъде импортиран в телевизора в следващите няколко секунди.

**ПОЯСНЕНИЕ:** Ако има липсващи канали, причината за това най-вероятно е в силата на сигнала. При възможност свържете усилвател на сигнала и настройте телевизора отново.

## Дистанционно управление

1. **STANDBY /РЕЖИМ НА ГОТОВНОСТ/** – включване на телевизора, когато е в режим на готовност или обратното.
2. **MUTE /БЕЗ ЗВУК/** – изключване на звука или обратното.
3. **0 – 9** – директен избор на телевизионен канал.
4. **TV GUIDE /ТЕЛЕВИЗИОНЕН СПРАВОЧНИК/** – отваряне на Седемдневния телевизионен справочник (в цифров режим).
5. **↺** – Връщане към предишния канал.
6. **PICTURE /РЕЖИМ НА КАРТИНАТА/** – превъртане на опциите за режим на картината.
7. **VOL ▲/▼** – увеличаване/намаляване силата на звука.
8. **CH ▲/▼** – преместване на гледания канал със стъпка нагоре или надолу.
9. **SOUND /РЕЖИМ НА ЗВУКА/** – превъртане на опциите за режим на звука.
10. **SOURCE /ИЗТОЧНИК/** – показване на меню за входния сигнал/източника.
11. **MENU /МЕНЮ/** – показване на OSD меню.
12. **EXIT /ИЗХОД/** – изход от всички менюта.
13. **(▲/▼/◀/▶/OK)** – позволява Ви да управлявате различните менюта на екрана и да регулирате системните настройки според предпочитанията си.
14. **BACK** – Връщане към предишното меню.
15. **FAV /ЛЮБИМИ/** – показване на менюто с любими канали.
16. **INFO /ИНФО/** – натиснете веднъж за информация за текущия/следващия канал. Натиснете двукратно за информация за текущата програма.
17. **TEXT /ТЕЛЕТЕКСТ/** – режим телетекст - влизане в телетекст
18. **SUBTITLE /СУБТИТРИ/** – включване и изключване на диалога в долната част на екрана.
19. **TV /ТЕЛЕВИЗИЯ/** – превключване на цифров източник на телевизионен сигнал.
20. **YouTube** – Показване на приложението YouTube.
21. **NETFLIX** – Показване на приложението NETFLIX
22. **NET+** – Показване на меню AQUOS NET+.
23. **Rec¹** – записване с персоналният видеорекодер
24. **⏮** – Рестартиране на текущата глава
25. **⏭** – Преминаване стъпка напред към следващата глава
26. **■** – за спиране на възпроизвеждането
27. **Rec List¹** – отваряне на списък със записи.
28. **⏮** – Възпроизвеждане в режим бързо превъртане назад.
29. **⏭** – Възпроизвеждане в режим бързо превъртане напред.
30. **⏸** – Възпроизвеждане/пауза
31. **ЦВЕТНИ БУТОНИ** – допълнителни функции за телетекст и OSD

<sup>1</sup> - достъпни единствено с функцията PVR

## Бутони на телевизора\*

**Vol+** увеличаване на силата на звука и преминаване към менюто вдясно

**Vol-** намаляване на силата на звука и преминаване към менюто вляво

**CH+** програма/канал нагоре и преминаване към менюто горе

**CH-** програма/канал надолу и преминаване към менюто долу

**MENU** показва меню/OSD

**SOURCE** показване на меню за източника на входен сигнал.

**STANDBY** включване/изключване на телевизора, докато е в режим на готовност.

\* - при модели с бутони на телевизора

## Джойстик за управление на телевизора\*

Джойстикът за управление е разположен в долния ляв ъгъл от задната страна на телевизора. Можете да го използвате като заместител на дистанционното управление за повечето от наличните функции.

**В режим на готовност:**

- кратко натискане на джойстика - включване

**Докато гледате телевизия:**

- **НАДЯСНО/НАЛЯВО** – увеличаване/намаляване силата на звука
- **НАГОРЕ/НАДОЛУ** – превключване на канал нагоре/надолу
- кратко натискане – показване на меню
- продължително натискане – поставяне в режим на готовност

**Докато се намирате в менюто:**

- **НАДЯСНО/НАЛЯВО/НАГОРЕ/НАДОЛУ** – навигиране на курсора в менюта на екрана
- кратко натискане – ОК/потвърждаване на избран елемент
- продължително натискане – връщане към предишното меню

\* - при модели с джойстик

## Избор на режим за входен сигнал/източник

Превключване между различните входни сигнали/свързвания.

**а) Употреба на бутоните на дистанционното управление:**

1. Натиснете бутон [SOURCE/☐] - изведва се менюто за източник на сигнал.
2. След това натиснете [◀] или [▶], за да изберете предпочитания от Вас входен сигнал.
3. Натиснете [OK].

**б1) Употреба на бутоните на телевизора\*:**

1. Натиснете бутон [SOURCE].
2. Превъртете нагоре/надолу с помощта на бутоните VOL+/VOL-, за да достигнете до желаното от Вас източник на входен сигнал.
3. Натиснете [SOURCE], за да промените входния сигнал/източника към този, който сте избрали.

**б2) Употреба на джойстика\*:**

1. Натиснете без да задържате, за да влезете в менюто.
2. Натиснете джойстика надолу и придвижете курсора до меню ИЗТОЧНИЦИ.
3. Влезте в меню ИЗТОЧНИЦИ с кратко натискане.
4. Изберете желаното от Вас входящ сигнал / източник с помощта на джойстика.
5. С кратко натискане можете да промените входния сигнал / източника.













\* - по избор

## Свързване

В таблицата можете да видите видовете конектори за различните модели (стр. 96).

**USB**  
 USB 2.0 вход 1, 2; USB 3.0 вход 3

**HDMI 1, 2 (ARC), 3 in**  
 вход за HDMI2.0 1, 2, 3

	<b>Четец за SD карта</b> SD карта вход
	<b>R/L - Video &amp; YPbPr audio In</b> Компонентен / видео аудио вход
	<b>Video (CVBS)</b> ВИДЕО вход
	<b>Component/YPbPr</b> компонентен HD вход
	<b>SCART</b> SCART-вход
	<b>CI Card IN</b> CI вход
	<b>RF In</b> Вход за антена RF / TV
	<b>Sat In</b> Вход за сателит
	<b>Digital Optical Audio Out</b> Цифров оптичен изход
	<b>RJ 45</b> Етернет
	<b>СЛУШАЛКИ</b> 3.5 мм изход за слушалки
	<b>D-link</b> сервизен вход

## Управление на менюто на телевизора

За достъп до това меню натиснете бутон [MENU] върху дистанционното управление. За да влезете в менюто натиснете бутон [OK]. Ако желаете да направите промени в някои от фабрично зададените настройки, използвайте бутоните за превъртане (▲/▼/◀/▶). За потвърждаване на настройка натиснете бутон [OK]. За изход от менюто във всеки един момент, натиснете бутон [EXIT] /ИЗХОД/.

## Netflix

Водеща Интернет телевизионна мрежа в световен мащаб. Тук ще откриете хиляди филми, телевизионни предавания, включително оригинални сериали, документални програми и игрални филми. Нейните потребители могат да възпроизвеждат и поставят на пауза, след което да възобновят гледането, без реклами или други ангажменти. Можете да влезете в това приложение, използвайки наличния си профил в Netflix. В случай че все още нямате такъв, можете да се регистрирате чрез приложението или в официалния уеб сайт на Netflix.

## YouTube

Приложение за видео споделяне, което Ви позволява да откривате и гледате оригинални видеоклипове.

**ЗАБЕЛЕЖКА:** За да може приложението Youtube да функционира, е необходимо в телевизора да бъдат зададени точните дата и час. За повече информация относно задаването на дата/ точен час в телевизора, моля разгледайте раздел Меню ВРЕМЕ в настоящото ръководство. Уверете се, че мрежата Ви не блокира достъпа до YouTube, както и че Интернет връзката Ви е достатъчно бърза за преглед на съдържание от YouTube.

## Още приложения

Съдържа най-често използваните приложения, помагайки за бърз и лесен достъп до тях.

**AQUOS NET+** - Отваряне на SMART-портала на Sharp.

**Времето** - приложение за метеорологична прогноза AccuWeather.

**Браузър** - приложение за достъп до уебсайтове чрез Интернет. Управление на браузъра:

- **СН+** - превъртане страница нагоре
- **СН-** - превъртане страница надолу
- **Червен бутон** - показване/скриване на лентата с менюта на браузъра
- **Жълт бутон** - Увеличаване
- **Син бутон** - Намаляване

## Източници

От това меню можете да превключвате входящия телевизионен сигнал от различни източници/свързани устройства.

## Media

**USB** - Режим Мултимедия дава възможност за възпроизвеждане на различни видове съдържание, записано върху USB картата с памет. Съдържанието се разделя на различни типове файлове: Снимки, Музика и Филми.

'Файлова опция' показва и дава възможност за възпроизвеждане на всички видове поддържано съдържание.

1. Можете да управлявате менюто, използвайки бутоните ▲/▼/◀/▶. Натиснете бутон [OK], за да потвърдите елемента, който желаете да възпроизведете/прегледате.
2. По време на преглед на съдържание, можете да управлявате режимите на възпроизвеждане на елемента с помощта на бутоните на дистанционното управление или като изведете менюто за навигиране и изберете бутоните на екрана ▲/▼/◀/▶ и [OK].

**ЗАБЕЛЕЖКА:** Използването на USB кабели за удължаване не се препоръчва, тъй като това може да доведе до намаляване на качеството на картината/звука и прекъсвания по време на възпроизвеждането на USB съдържание.

**Miracast\*** - позволява преглед на съдържание от Вашия смартфон или таблет върху екрана на телевизора. Безжичното свързване се осъществява с помощта на Wi-Fi Direct, така че не е необходим достъп до безжична мрежа. Можете да споделяте съдържание от смартфона и таблета си с Android 4.2.2 или по-нова версия.

**Мултимедияен сървър** - Автоматично търсене на цифрови медийни сървъри (DMS), свързани към домашната мрежа и възможност за възпроизвеждане и рендиране на съдържание от медийни сървъри.

\* - **Функцията е налична единствено за определени смартфони и устройства.**

## Картина

**Режим на картината** - Изберете някоя от следните предварително зададени настройки.

- **Стандартен** - фабрично зададени настройки
- **Филм** - по-бледи цветове с по-ниска яркост.
- **Персонален** - позволява Ви да променят ръчно всички настройки
- **Икономичен** - консумира 15% по-малко енергия.
- **Динамични** - препоръчителни настройки за бързо движещи се картини.

**Контраст** - промяна на баланса между бяло и черно.



**Яркост** - увеличава или намалява яркостта на картината.  
**Цвят** - увеличава цветовете от черно и бяло.  
**Острота** - увеличава или намалява остротата на картината.  
**Цветова температура** - изберете някоя от следните предварително зададени настройки.

- **Нормална** - фабрично зададени настройки
- **Топла** - увеличава червената цвят в картината
- **Студена** - увеличава синия цвят в картината
- **Персонални** - Персонализиране на баланса на червено-зелено-синьо от меню "Експертни настройки".  
Препоръчва се само за напреднали потребители.

**Пропорции** - форматът на картината може да варира в зависимост от канала/излъчването. Съществуват голям брой различни опции, които да отговарят най-добре на нуждите Ви.

- **Автоматично** - автоматично възпроизвеждане на най-добрия формат на картината. Картината е в оптималното си положение. Възможно е да има черни линии в горната/долната част и/или страните.
- **4:3** - показване на картина с формат 4:3 в оригиналния ѝ размер. Показват се черни ленти, които запълват остатъка от екрана във формат 16:9.
- **16:9** - екранът се запълва при нормален сигнал 16:9.
- **Мащабиране 1/2** - картината е в правилната пропорция, но е увеличена, за да бъде изпълнен екрана.
- **Точка по точка (HDMI)** - показване на картината в оригиналната ѝ резолюция без промени.
- **Пълен екран** - разтягане на изображението за запълване на екрана.

#### Разширени настройки

- **Намаляване на шума** - Филтриране и намаляване на шума (интерфейсът) от излъчваната картина.
- **Активен контраст** - Автоматично оптимизиране на 'фоновото осветление' и 'контраста' на картината в зависимост от яркостта на екрана.
- **Фонов осветление** - Регулиране на яркостта чрез увеличаване/намаляване на подсветлението на панела.
- **Gamma** - Регулиране на цветовете между светлите и тъмните части на картината.
- **Червено** - Регулиране на червения цвят в картината
- **Зелено** - Регулиране на зеления цвят в картината
- **Синьо** - Регулиране на синия цвят в картината

## ЗВУК

**Звуков режим** - Изберете някоя от следните предварително зададени настройки

- **Стандартен** - фабрично зададени настройки
- **Музика** - подчертава музиката над гласовете
- **Филми** - предоставя жив и пълен звук за гледане на филми
- **Персонален** - изберете личните си настройки за звук
- **Спорт** - подчертан звук за гледане на спорт

**Еквалайзер** - Регулиране на различните звукови честоти.

Нивата на еквалайзера могат да бъдат регулирани единствено, когато е избран звуков режим 'Персонален'.

#### Слушалки

- **HR+TV** - опция за едновременно възпроизвеждане на звук от говорителите на телевизора и слушалките.
- **Сила на звука** - регулиране силата на звука в слушалките.

**Баланс** - превключване на звука между левите и десните говорители.

**Автоматична сила на звука** - когато тази функция е включена, силата на звука ще остане на постоянен ниво, независимо от входния сигнал/източника.

**DTS TruSurround** - позволява Ви да включвате и изключвате ефекта за съраунд на звука.

**Цифров изход** - цифров аудио изход.

Изберете някоя от следните опции:

- **Изкл.** - Изключено

- **Автоматично** - автоматичен избор на най-добрите настройки
- **PCM** - изберете тази опция ако се свързвате към Hi Fi стерео чрез цифрови кабели (импулсно-кодвата модулация (PCM) представлява цифрово представяне на аналогов сигнал)

**Звуково описание** - допълнителен описателен канал,

предназначен за зрители с увредено зрение. Достъпен единствено за избрани цифрови телевизионни предавания.

**Сила на звуковото описание** - настройване на силата на звука на аудио описанието.

**Аудио запис** - избор на различни аудио езици за цифрови телевизионни програми или носители.

**Аудио закъснение (ms)** - позволява на потребителя да регулира звуковите настройки така, че картината и аудиото от говорителите на телевизора да бъдат синхронизирани.

**SPDIF закъснение (ms)** - позволява на потребителя да регулира звуковите настройки така, че картината и аудиото от външни говорители да бъдат синхронизирани.

## Настройки

### КАНАЛ

**Цифров тип** - задаване на вида цифров телевизионен сигнал

- **Наземен** - наземен (DVB-T)
- **Кабелен** - кабелен (DVB-C)

**Автоматична настройка** - позволява Ви да настроите отново телевизора за всички цифрови канали, цифрови радио станции и аналогови канали.

**Аналогово ръчно сканиране** - позволява Ви да настроите ръчно аналоговия сигнал.

**Цифрово ръчно сканиране** - позволява Ви да настроите ръчно цифровия сигнал.

**Редакция на канали** - позволява Ви да изтривате, прескачате или добавяте любими канали.

- **Червен бутон** - изтриване на избран канал.

- **Жълт бутон** - преместване на избран канал. Поставете курсора върху канала, който желаете да преместите, след което натиснете ЖЪЛТИЯ бутон. След това преместете избирания канал със стрелка НАГОРЕ / НАДОЛУ до желаната позиция в списъка с канали и натиснете ЖЪЛТИЯ бутон още веднъж, за да потвърдите избора си.

- **Син бутон** - пропускане на избран канал. Избраните за пропускане канали няма да бъдат показвани при натискане на бутони CH+ /канал напред/ или CH- /канал назад/.

**Информация за сигнала** - информация за цифровия телевизионен сигнал.

**СИ информация** - платените услуги изискват в телевизора да бъде поставена "смарткарта". Ако се абонирате за платена услуга, доставчикът ще Ви издаде "CAM" и "смарткарта". CAM може да бъде поставена в ОБЩИЯ ИНТЕРФЕЙСЕН ПОРТ (CI Card In).

**LCN** - Включете LCN, за да подредите каналите по предпочитания от доставчик (приложимо единствено за канали DVB-T и DVB-C).

**Автоматично обновяване на каналите** - при задаване на тази опция позициите, имената и честотите на каналите ще бъдат актуализирани от доставчика периодично. Възможно е това да доведе до проблеми, ако сте заявили канали от списъка самостоятелно. В този случай Ви съветваме да държите тази опция изключена.

**Списък със записи\*** - списък със записани телевизионни предавания.

**Списък с графици** - списък с Вашите напомняния за програми.

**Сателитна конфигурация** - това меню е достъпно единствено в режим DVB-S2. Можете да изберете вида на сателита, Вашия транспондер, вида на Вашия LNB и т.н.  
**OAD (актуализации на софтуера)** - включване/изключване на OAD (изтегляне по безжичен път) на актуализации на софтуера.

\* - **единствено за устройства с вградена функция PVR**

## МРЕЖА

**Мрежова конфигурация** - Първо трябва да изберете типа връзка. Можете да изберете между Wi-Fi и кабелна връзка.

**ЗАБЕЛЕЖКА:** За кабелно свързване към Internet, свържете Cat 5/Ethernet кабел (не е включен) от телевизора към широколентов модем/рутер.

**Конфигуриране на IP** - Настройки на локалната мрежова връзка

- **Автоматично** - Автоматично свързване на телевизора към домашната Ви мрежа (това е настройката по подразбиране и е силно препоръчителна)

- **Ръчно** - Позволява Ви да промените ръчно IP адреса, мрежовата маска, шлюза и DNS информацията.

**Конфигуриране на Wi-Fi** - Настройки на локалната мрежова връзка

- **Автоматично търсене на безжични мрежи** - Автоматично търсене на достъпните безжични мрежи. Изберете желаната от Вас безжична мрежа, след което въведете нейната парола за вход (в случай че е защитена с парола). След като паролата бъде приета веднъж, въвеждането ѝ няма да бъде изисквано в бъдеще.

**ЗАБЕЛЕЖКА:** Процесът на свързване може да отнеме няколко минути, молем да проявите търпение. Всеки път, когато телевизорът бъде включен, ще се свързва към мрежата автоматично, като това може да отнеме известно време.

**Информация за мрежата** - Информация за мрежовите настройки.

**Изпитване на мрежата** - Изпитване на мрежовата връзка.

## ВРЕМЕ

**Автоматично синхронизиране** - автоматично задаване на точен час и дата на телевизора. Необходимо е телевизорът да бъде работи с цифров сигнал и/или Интернет връзка. За ръчно регулиране на настройките за точен час и дата изключете функцията "Автоматично синхронизиране". Ако "Автоматично синхронизиране" бъде изключено, а часът и датата – настроени ръчно, тази информация ще бъде нулирана при преустановяване на захранването на телевизора.

**Часовник** - показва датата и точния час. Може да бъде регулиран, когато функцията "Автоматично синхронизиране" е изключена.

**Време за изключване** - позволява Ви да зададете определено време за изключване на телевизора.

**Време за включване** - позволява Ви да зададете определено време за включване на телевизора, да изберете канала, който ще бъде показан, както и източника на възприемжваема и силата на звука. Тази функция може да бъде превключена така, че да се повтаря всеки ден или в определен ден.

**Таймер за заспиване** - позволява Ви да настроите таймера за заспиване така, че телевизорът да се изключва автоматично след определен период от време. Off /Изключено/ -> 10мин -> 20мин -> 30мин -> 60мин -> 90мин -> 120мин -> 180мин -> 240мин.

**OSD таймер** - позволява Ви да регулирате периода от време, за което менюто остава на екрана преди да изчезне.

**Auto standby /Автоматично поставяне в режим на**

**готовност** - регулиране на автоматичният режим на готовност в часови стъпки: Off /Изключено/ -> 3ч -> 4ч -> 5ч.

**Часова зона** - промяна на текущата Ви часова зона.

## ЗАКЛЮЧВАНЕ

**Системно заключване** - позволява Ви да заключите или отключите менюто. Ще бъдете приканени да въведете парола от 4 символа. Използвайте бутон **↵**, за да преустановите въвеждането на парола. Използвайте бутон **▶**, за да изчистите. Фабрично зададената парола е 0000.

**Задаване на парола** - промяна на фабрично зададената парола.

**Заключване на канали** - заключване на определени телевизионни канали.

**Родителски контрол** - заключване на телевизионни канали въз основа на възрастово ограничение.

**Заключване на бутоните** - позволява заключване на джойстика за управление върху задната част на телевизора.

**Заключване на източника** - позволява скриване на избрани входни сигнали от менюто за източник на сигнал.

**Режим хотел** - разширени настройки при използване на телевизора в хотели.

## НАСТРОЙКА

**Език** - позволява Ви да промените езика на менюто.

**Аудио езици** - позволява Ви да промените аудио езиците на избрани цифрови канали.

**Език на субтитрите** - позволява Ви да промените езика на субтитрите на избрани цифрови канали.

**За хора с увреден слух** - При наличие на субтитри за хора с увреден слух в определени канали, последните могат да бъдат показвани чрез натискане на бутон "Subtitle"/Субтитри/. Ако включите функцията "Hearing Impaired" и превключите на канал, за който тя е поддържана, субтитрите ще бъдат показвани автоматично.

**Син екран** - при липса на входен сигнал променя фона на прозрачен или син (наличен само при някои източници).

**Файлова система на PVR** - опции за записване с PVR\*

- **Избор на диск** - избор на USB порт и дисков дял

- **Размер на TimeShift** - задаване на размер на буфера за времеотместване.

- **Форматиране** - можете да форматирате свързаното USB устройство за съхранение на файловата система FAT 32.

**ВНИМАНИЕ: ЦЯЛАТА ИНФОРМАЦИЯ ВЪРХУ ФОРМАТИРАНОТО УСТРОЙСТВО ЩЕ БЪДЕ ИЗТРИТА**

- **Скорост** - изпитване на скоростта на записване на свързаните USB устройства за съхранение.

**\* - единствено за устройствата с свързана функция PVR**

**Първоначална инсталация** - стартиране на първоначалната инсталация.

**Актуализация на софтуера (USB)** - периодично издаваме нов фърмуер с цел подобряване работата на телевизора (наличен за изтегляне). Това меню Ви позволява да инсталирате новия софтуер/фърмуер в телевизора. Допълнителни подробности относно изпълнението на това ще бъдат показани заедно с фърмуера. Можете да позвъните на телефонната линия за помощ или да отворите нашия уеб сайт 'www.sharp.eu/av'.

**Актуализация на софтуера (NET)** - Позволява актуализиране на софтуера посредством Интернет. Функцията търси нов софтуер и го актуализира, когато това е необходимо. За изпълнение на тази функция телевизорът трябва да бъде свързан към Интернет.

**ЗАБЕЛЕЖКА:** Телевизорът автоматично търси нови версии на софтуера всеки път, когато бъде включен. В случай че такива бъдат открити, ще бъдете попитани дали желаете да бъдат изтеглени и инсталирани. Ако изберете "Yes", софтуерът на телевизора ще бъде актуализиран с последната версия.

**ВНИМАНИЕ:** Не изключвайте телевизора преди надграждането да е приключило.

**Възстановяване на фабрично зададените настройки** - действото ще възстанови менютата до фабрично зададения им вид.

**HDMI CEC\*** - позволява Ви да работите с устройствата, свързани чрез HDMI с помощта на дистанционното управление на телевизора.

- **Списък с устройства\*** - позволява Ви достъп и управление на менютата на устройствата чрез дистанционното управление на телевизора.

- **HDMI CEC** - активиране/деактивиране на функцията HDMI CEC.

- **Автоматично поставяне в режим на готовност\*** - автоматично включване/изключване устройствата, свързани чрез HDMI CEC.

- **HDMI ARC\*** - изпраща аудио сигнал от наземно/сателитно излъчване чрез HDMI към аудио видео приемника без помощта на допълнителни аудио кабели. Тази функция е достъпна единствено за изход HDMI 2.

**\* - HDMI CEC трябва да се поддържа от свързаното устройство.**

**HDMI EDID** - предава възможностите на телевизора (резолюция, аудио поддръжка и т.н.) директно към устройствата, свързани

чрез HDMI. Той позволява превключване на режими HDMI и HDMI 2.0 при определен входен HDMI сигнал.

- **Стандартен** - препоръчва се, ако телевизорът е свързан към устройство чрез HDMI 1.4 или по-ниска версия, например Full HD Blu-Ray плейър, DVD плейър или конзола за игри.
- **Подобрен** - препоръчва се, ако телевизорът е свързан към устройство чрез HDMI 2.0, например 4K Blu-ray плейър или компютър със съвременен софтуер.

**LED статус** - позволява на потребителя да включва или изключва светлинния LED индикатор за захранването, докато телевизорът работи. (Когато тази опция е изключена, светлинният LED индикатор ще премигва при използване на дистанционното управление).

**Режим HbbTV** - включване / изключване на режим HbbTV. За използване на режим HbbTV е необходимо телевизорът да бъде свързан към Интернет, а избраният канал да поддържа услугата HbbTV.

**Информация за версията** - показва версията на софтуера на телевизора.

**Редакция на източник** - позволява на потребителя ръчно редактиране на имената на елементи от списъка с източници на входен сигнал. Напр. можете да промените имената на източниците на входен сигнал, така че да съвпадат със свързаните устройства.

## AQUOS NET+

AQUOS NET+ Ви дава възможност да се възползвате от различни приложения, както и да сърфирате в мрежата с помощта на Вашия LCD телевизор AQUOS. За достъп до менюта AQUOS NET+ по всяко време, натиснете бутон NET+ върху дистанционното управление или го изберете от Още приложения меню на телевизора.

**ЗАБЕЛЕЖКА:** Моля изчакайте, докато телевизорът се свърже с безжичната мрежа. Това може да отнеме няколко минути, след като сте включили телевизора.

Управлението на менюта се извършва с помощта на бутоните ▲/▼/◀/▶. Натиснете бутон [OK], за да потвърдите елемента, който желаете да възпроизведете/прегледате. За 'стъпка назад' натиснете бутон [Menu] /Меню/. За достъп до допълнителни функции използвайте цветните бутони.

За да излезете от меню AQUOS NET+ натиснете бутон [EXIT] /ИЗХОД/.

**Начален екран** - Начален екран с препоръчани филми и последните отваряни приложения.

**Приложения** - Показване на списък с налични приложения.

**Филми** - Показване на списък с налични филми.

**Телевизионни шоу програми** - Показване на списък с наличните телевизионни шоу програми.

**Музика** - Показване на списък с наличната музика и музикални видеоклипове.

**Игри** - списък с игри и приложения, свързани с игри.

**Спорт** - списък с приложения със спортна насоченост.

**Новини** - списък с приложения за новини.

**Търсене** - търсене на приложение чрез въвеждане на името му или на част от него.

**Мои приложения** - добавяйки приложения към списъка "Мои приложения", ще можете да ги достигате лесно и бързо. За да добавите приложение към списъка, просто маркирайте това, което сте избрали и натиснете зеления бутон. След това действие приложението ще се показва в списъка "Мои приложения". За премахване на нежелано приложение от списъка "Мои приложения" е необходимо да го маркирате и да натиснете ЗЕЛЕНИЯ бутон.

**Настройки** - в меню настройки можете да промените езика на портала Aquos NET+, да задавате филтър за приложения, които са специфични за избрания език и да върнете всички потребителски настройки към фабричния им вид.

**НУЛИРАНЕ НА ПОТРЕБИТЕЛСКИТЕ НАСТРОЙКИ:** В случай че желаете изцяло да нулирате всички потребителски настройки за AQUOS NET+, трябва да влезете в меню Настройки

на портала, след което да изберете "Възстановяване на началните настройки на устройството". Изберете YES с курсора, след което натиснете ОК на дистанционното управление, за да потвърдите нулирането на настройките.

**ЗАБЕЛЕЖКА:** Непрекъснато подобряване продуктите си, така че да отговарят на изискванията на нашите клиенти. В резултат на усилията ни, към AQUOS NET+ непрекъснато ще бъдат добавяни нови приложения. Приложенията и съдържанието в AQUOS NET+ могат да бъдат променяни без предизвестие. Някои от функциите и съдържанието могат да не бъдат налични във Вашата страна.

## Седемдневен телевизионен справочник

Телевизионният справочник е достъпен при цифров режим на работа. Той предоставя информация за предстоящите програми (ако се поддържа от цифровия канал). Там можете да видите началния и крайния час на всички програми, на всички канали за следващите 7 дни и да зададете напомняния.

1. Натиснете [TV GUIDE]. Ще се появи Седемдневният телевизионен справочник.

2. Управлявайте менюто, като използвате бутоните ▲/▼/◀/▶.

**Можете да:**

Записвате избран телевизионен канал и избрана телевизионна програма, натискайки червения бутон.\* единствено при модели с функция за записване

Задайте напомняния с натискане на ЗЕЛЕНИЯ бутон.

Прегледайте предишния ден с натискане на ЖЪЛТИЯ бутон.

Прегледайте следващия ден с натискане на СИННИЯ бутон.

[INFO] показва подробна информация за избраната публикация

3. Натиснете [EXIT] за изход от Седемдневния телевизионен справочник.

## USB запис - цифров режим\*

В този телевизор има вградено устройство за USB записване. Тази функция е достъпна при цифров режим на работа, при използване със съвместими USB карта с памет или USB твърд диск. Ползете от това са:

- Поставяне на предавания на живо на пауза и повторното им възпроизвеждане, превъртане напред и назад (в зависимост от телевизионните предавания).
- Запис с един бутон, в случай че решите да записвате текущата програма.
- Лесно програмиране на записване от Седемдневния телевизионен справочник.

Поради естеството на този продукт е необходимо да бъдат използвани високоскоростни USB карти с памет (тъй като телевизорът едновременно четете от и записва върху флаш паметта. Поради тази причина някои карти с памет могат да не бъдат подходящи).

Спецификация на минималните изисквания - USB карта с памет

– **Скорост на четене** - 20 Mb/s (мегабайта в секунда)

– **Скорост на записване** - 6 Mb/s (мегабайта в секунда)

## Пауза на живо предаване (Времеотместване)\*

Поставянето на живо предаване на пауза е много просто.

- Натиснете бутон Play/Pause, телевизорът ще бъде поставен на пауза, а живото предаване ще се записва. За да продължите да гледате, натиснете отново Play/Pause.
- Натиснете бутона за превъртане на записа напред (напр. за прескачане на рекламите).
- Натиснете бутона за превъртане на записа назад (напр. ако преди това сте го превъртели прекалено напред).

**ПОЯСНЕНИЕ:** Когато поставяте телевизора в режим на готовност или когато смените канала, паметта на функцията Времетоотместване се изчиства. За рестартиране на времетоотместването трябва да натиснете бутон Play/Pause.

### Запис с един бутон

Във всеки един момент можете да стартирате записване на канала, който гледате. За да направите това е необходимо да натиснете бутон [REC].

**ПОЯСНЕНИЕ:** Телевизорът разполага с един телевизионен тунер и поради тази причина може да записва единствено канала, който гледате в момента. Също така може да се извършва запис на един канал, докато телевизорът е поставен в режим на готовност.

**ЗАБЕЛЕЖКА:** Функцията USB запис е достъпна единствено в цифров режим на работа. Заради законите за авторско право и незаконно копиране/записване, записването на/от друг източник не е възможно.

\* - **единствено за устройства с вградена функция PVR**

## HDR (висок динамичен диапазон)

При възпроизвеждане на HDR видео се премахват някои от ограниченията на стандартния видео сигнал и се показва изображение, създадено от по-широк диапазон от цвят и яркост.

### ЗАБЕЛЕЖКИ:

- Функцията HDR се активира автоматично при намиране на HDR сигнал, ако HDMI EDID е зададен на "Подобрен" в меню "НАСТРОЙКА".
- Този телевизор може да възпроизвежда HDR съдържание от входен сигнал през гнезда HDMI или USB.
- В случай че осъществите свързване посредством някой от HDMI портовете, е необходимо външното устройство да поддържа HDR, HDMI2.0 и да възпроизвежда HDR съдържание.
- Това устройство не поддържа HDR съдържание от вградени приложения, като Netflix или YouTube.

## Фиш на продукта

Търговска марка	
Модел	LC-50U17222E LC-50U17322E LC-50U17422E
Клас на енергийна ефективност	A+
Видим размер на екрана (диагонал)	50" / 127cm
Консумация на енергия при включен уред	70,0 W
Годишна консумация на енергия*	102 kWh
Консумация на енергия в режим на готовност**	<0,50 W
Консумация на енергия, докато уредът е изключен:	N/A
Резолюция на екрана	3840 (H) x 2160 (V)

\* - Консумацията на енергия е XYZ kWh на година, изчислено въз основа на 4 часа на работа на телевизора на ден за 365 дни. Действителната консумация на енергия ще зависи от това, колко е използван телевизорът.

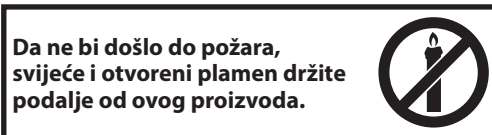
\*\* - когато телевизорът е изключен от дистанционното управление и няма активни функции



## Važne sigurnosne upute



### Pročitajte ove sigurnosne upute i pridržavajte se sljedećih upozorenja prije korištenja uređaja:



- TV uređaje sa 43-inčnim ili većim ekranima mora prenositi ili podići barem dvoje ljudi.
- Ovaj TV ne sadrži nikakve dijelove koje bi korisnik mogao sam popraviti. U slučaju kvara, obratite se proizvođaču ili ovlaštenom servisnom predstavniku. Dodirom određenih dijelova unutar TV-a možete ugroziti svoj život. Jamstvo ne vrijedi za kvarove uzrokovane popravcima neovlaštenih trećih strana.
- Ne skidajte stražnji dio uređaja.
- Ovaj uređaj izrađen je za primanje i reproduciranje video i zvučnih signala. Svaka druga uporaba strogo je zabranjena.
- Kako biste TV uređaj isključili iz mreže napajanja, izvadite utikač kabela napajanja iz utičnice.
- Ako je kabel napajanja oštećen, zamjenu povjerite proizvođaču, servisnom predstavniku ili kvalificiranoj osobi da bi se izbjegle opasne situacije.
- Idealna udaljenost gledanja TV-a je približno pet puta veća od dijagonale zaslona. Odsjaj na zaslonu s drugih izvora osvjetljenja može biti uzrok lošije kvalitete slike.
- Osigurajte da TV ima dovoljno mjesta za prozračivanje i da se ne nalazi blizu drugih uređaja i ostalih dijelova namještaja.
- Oko uređaja mora biti najmanje 5 cm prostora radi odgovarajućeg provjetravanja.
- Osigurajte da u otvorima za prozračivanje nema nikakvih predmeta, npr. novina, stolnjaka, zavjesa itd.
- TV je izrađen za korištenje u umjerenj klimi.
- TV ne smije biti izložen kapanju ili prskanju tekućine.
- TV je izrađen isključivo za rad u suhim prostorima. Kad se TV koristi vani, provjerite ako je zaštićen od vlage (kiša, prskanje vode). Nemojte ga izlagati vlazi.
- Na televizijski uređaj nemojte stavljati nikakve predmete, spremnike s tekućinama, npr. vaze itd. Te posude mogu se prevrnuti, što bi ugrozilo sigurnost električnih instalacija. TV postavite isključivo na ravnu i stabilnu površinu. Na ili ispod TV-a nemojte stavljati predmete, npr. novine ili deke itd.
- Provjerite da uređaj ne stoji na strujnim kabelima jer bi moglo doći do oštećenja. Mobilni telefoni i drugi uređaji kao što su WLAN prilagodnici, nadzorne kamere s bežičnim prijenosom signala itd. mogu uzrokovati elektromagnetske smetnje i ne smiju se postaviti u blizini uređaja.
- Uređaj nemojte postaviti blizu grijanih elemenata ili na mjesto sa izravnim sunčevim osvjetljenjem jer to ima negativan učinak na hlađenje uređaja. Skladištenje topline je opasno i može smanjiti radni vijek uređaja. Kako bi se osigurala sigurnost, obratite se kvalificiranoj osobi da ukloni prljavštinu iz uređaja.
- Pokušajte spriječiti oštećenja na mrežnom kabelu ili prilagodniku. Uređaj se može spojiti samo s priloženim mrežnim kabelom/prilagodnikom.
- Vremenske nepogode opasne su za električne uređaje. Ako munja udara u glavni električni vod ili ožičenje antene, uređaj će se oštetiti čak i ako

je isključen. Prije vremenske nepogode odspojite sve kabele i konektore uređaja.

- Za čišćenje zaslona uređaja koristite samo vlažnu i meku krpu. Koristite samo čistu vodu, nikad deterđente, a nikako ne otapala.
- Postavite TV blizu zida kako ne bi pao ako ga netko slučajno gurne.
- UPOZORENJE - Televizijski uređaj nikad nemojte stavljati na nestabilnu površinu. Televizijski uređaj može pasti što može dovesti do ozbiljnih tjelesnih ozljeda ili smrti. Mnoge ozljede, osobito djece, mogu se spriječiti poduzimanjem jednostavnih mjera opreza, npr.:
  - Koristite ormariće ili stalke koje preporuča proizvođač televizijskog uređaja.
  - Koristite samo namještaj na kojeg možete televizijski uređaj postaviti na siguran način.
  - Provjerite da televizijski uređaj ne visi preko ruba namještaja na kojem se nalazi.
  - Televizijski uređaj nemojte postavljati na visoka mjesta (npr. ormariće ili police za knjige) osim ako ste prije dobro pričvrstili i poduprli televizijski uređaj na odgovarajući namještaj.
  - Televizijski uređaj nemojte postavljati na krpe ili druge materijale na namještaju.
- Upoznajte djecu s opasnostima penjanja na namještaj kada žele doći do televizijskog uređaja ili daljinskog upravljača.
- Osigurajte da se djeca ne mogu penjati ili dohvatiti televizijski uređaj.
- Ako postojeći televizijski uređaj želite premjestiti, potrebno je ponovno pridržavati se svih prethodno navedenih mjera opreza.
- Upute u nastavku prikazuju siguran način postavljanja TV-a tako da ga pričvrstite na zid. Na taj način neće doći do prevrtanja TV-a i mogućih ozljeda ili oštećenja.
  - Za tu vrstu postavljanja bit će vam potreban kabel za pričvršćivanje
    - A) Uz pomoć jednog/oba provrta za montiranje na gornjem dijelu i vijaka (vijci se već nalaze u provrtima na zidu) pričvrstite jedan kraj kabela za pričvršćivanje na TV.
    - B) Pričvrstite drugi kraj kabela za pričvršćivanje na zid.
  - Softver na TV-u i zasloni prikaz (OSD) može se promijeniti bez prethodnog upozorenja.
  - Napomena: U slučaju elektrostatičkog pražnjenja (ESD) uređaj će prikazivati neispravnu funkciju. U tom slučaju TV uređaj isključite te ga zatim ponovno uključite. TV uređaj radić će normalno.

### Upozorenje:

- Nemojte koristiti TV uređaj odmah nakon vađenja iz ambalaže. Pričekajte da se TV uređaj zagrije na sobnu temperaturu prije uporabe.
- Vanjske uređaje nemojte spajati na uređaj spojen na električnu energiju. Isključite ne samo TV, već i uređaje koje ste spojili! Uključite utikač TV-a u zidnu utičnicu nakon što spojite sve vanjske uređaje i antenu!
- Uvijek pazite na to da imate dovoljno mjesta za pristup mrežnom utikaču TV-a.
- Uređaj nije namijenjen za korištenje na radnom mjestu s monitorima.
- Stalno korištenje slušalica s visokom razinom glasnoće može uzrokovati nepovratno oštećenje sluha.
- Osigurajte ekološko brinjavanje uređaja i njegovih komponenti zajedno s baterijama. Kada ste u nedoumici, obratite se lokalnim vlastima za više informacija o recikliranju.
- Kad uređaj postavljate, nemojte zaboraviti da je namještaj premazan raznim lakovima, plastikom itd. ili je poliran. Kemikalije koje takvi proizvodi sadrže mogu reagirati s postoljem TV uređaja. To bi moglo uzrokovati da se djelići materijala zaljepe na površinu namještaja, a oni se teško ili uopće ne mogu skinuti.
- Zaslون vašeg TV-a proizveden je u visoko kvalitetnim uvjetima i detaljno je nekoliko puta pregledan ako postoje neispravni pikseli. Zbog tehnoloških svojstava procesa proizvodnje nije moguće eliminirati postojanje malog broja neispravnih piksela na zaslonu (čak ni uz maksimalnu pažnju za vrijeme proizvodnje). Ti neispravni pikseli ne smatraju se kvarom u odnosu na uvjete jamstva ako broj neispravnih piksela nije veći od ograničenja određenih DIN normom.
- Proizvođač se ne može smatrati odgovornim ni biti odgovoran za pitanja vezana uz korisničku podršku za sadržaje ili usluge trećih strana. Sva

pitanja, komentare ili upite vezane uz usluge ili sadržaj trećih strana treba uputiti izravno davatelju odgovarajućih sadržaja ili usluga.

- Postoje brojni razlozi nemogućnosti pristupa sadržaju ili uslugama koji nisu vezani uz sam uređaj, uključujući između ostaloga prekid napajanja, internetske veze ili nepravilno konfiguriranje uređaja. Universal Media Corporation, njegovi direktori, službenici, zaposlenici, predstavnici, ugovorne strane i podružnice neće biti odgovorni vama ni bilo kojoj trećoj strani vezano uz takve kvarove ili nedostupnost usluga zbog održavanja, bez obzira na uzroke i na to jesu li se mogli izbjeći.
- Sav sadržaj ili usluge trećih strana dostupni putem ovog uređaja pružaju vam se "kakvi jesu" ili "po dostupnosti", a Universal Media Corporation i njezine podružnice ne daju nikakva jamstva ni izjave bilo koje vrste prema vama, izričito ni implicirano, uključujući između ostaloga bilo kakva jamstva utvrđivosti, nekršenja propisa, prikladnosti za određenu svrhu ni bilo kakva jamstva prikladnosti, dostupnosti, točnosti, potpunosti, sigurnosti, korisnosti, izostanka pogrešaka ili neprekinutog rada ili upotrebe sadržaja ili usluga koji vam se pružaju ili da će sadržaji ili usluge ispunjavati vaše zahtjeve ili očekivanja.
- "Universal Media Corporation" nije predstavnik i ne preuzima nikakvu odgovornost za postupke ili propuste trećih davatelja sadržaja ili usluga ni vezano uz bilo koji aspekt sadržaja ili usluga trećih davatelja.
- "Universal Media Corporation" i/ili njezine podružnice neće ni u kojem slučaju biti odgovorne vama ni bilo kojoj trećoj strani ni za kakve izravne, neizravne, posebne, slučajne, kaznene, posljedične ili druge štete, bez obzira na to temelji li se teorija odgovornosti na ugovoru, deliktu, zanemarivanju, kršenju jamstva, striktnoj odgovornosti ili nečem drugom te bez obzira na to jesu li Universal Media Corporation i/ili njezine podružnice obaviještene o mogućnosti takvih šteta.

### Važne informacije o korištenju video igrica, računala, podnaslova i ostalih prikaza s nepromjenjivom slikom.

- Dugotrajna uporaba materijala programa s nepromjenjivim slikama može uzrokovati trajnu sliku sa sjenom na LCD zaslonu (ponekad se to pogrešno opisuje da je zaslon "izgorio"). Takva slika sa sjenom ostat će trajno vidljiva u pozadini zaslona. To je nepovratno oštećenje. Takvo oštećenje može se izbjeći ako se pridržavate uputa u nastavku:
- Smanjite postavku za svjetlinu/kontrast na minimalnu razinu.
- Nemojte dugo prikazivati nepromjenjive slike. Izbjegavajte prikazivanje:
  - » vremena i sadržaja na teletekstu,
  - » TV/DVD izbornika, npr. DVD sadržaja,
  - » u načinu rada "Pauziraj" (zadržavanje): Ovaj način rada nemojte dugo koristiti, npr. za vrijeme gledanja DVD-a ili videozapisa.
  - » isključite uređaj ako ga ne koristite.

### Baterije

- Obratite pažnju na pol kod umetanja baterija.
- Baterije nemojte izlagati visokim temperaturama i ne stavljajte ih na mjesta gdje se temperatura može brzo povećati, npr. blizu vatre ili na izravnu sunčevu svjetlost.
- Baterije nemojte izlagati prekomjernoj isijavajućoj toplini, ne bacajte ih u vatru, ne rastavljajte ih i ne pokušavajte puniti nepunjive baterije. Moglo bi doći do curenja tekućine ili eksploziranja.
  - » Nikad nemojte koristiti različite vrste baterija istovremeno ili miješati nove i stare baterije.
  - » Baterije odložite na ekološki prihvatljiv način.
  - » Većina država članica EU zakonom regulira odlaganje baterija.



### Odlaganje

- Ovaj TV uređaj nemojte odložiti pod nerazvrstan komunalni otpad. Vratite ga na označeno sabirno mjesto za recikliranje WEEE opreme. Na taj način sudjelovat ćete u očuvanju prirodnih resursa i zaštiti okoline. Obratite se trgovcu ili lokalnim vlastima za više informacija.



### CE izjava:

- UMC Poland Sp. z o.o. ovim putem izjavljuje da je ovaj LED TV usklađen s osnovnim zahtjevima i drugim relevantnim odredbama RED smjernice 2014/53/EU. Puni tekst EU deklaracije usklađenosti dostupan je putem poveznice <https://www.sharpcorner.eu/documents-of-conformity/>.

### Zaštitni znakovi

• Pojmovi HDMI i HDMI High-Definition Multimedia Interface te HDMI logotip zaštitni su znakovi ili registrirani zaštitni znakovi tvrtke HDMI Licensing, LLC u Sjedinjenim Državama i drugim zemljama.

• Logotip "DIGITALEUROPE UHD Display" je zaštitni znak tvrtke DIGITALEUROPE.

• Logotip DVB je registrirani zaštitni znak projekta Digital Video Broadcasting (DVB).

• Proizvedeno pod licencom Dolby Laboratories. Dolby, Dolby Audio i duplo-D simbol su zaštitne marke Dolby Laboratories.

• Za informacije o patentima usluge prijenosa podataka (DTS) posjetite stranicu <http://patents.dts.com>. Proizvedeno pod licencom tvrtke DTS Licensing Limited. DTS, simbol, i DTS i simbol zajedno su registrirani zaštitni znakovi. DTS Studio Sound je zaštitni znak tvrtke DTS, Inc. © DTS, Inc. Sva prava pridržana.

• YouTube i YouTube logotip zaštitni su znakovi tvrtke Google Inc

• Logotip Wi-Fi CERTIFIED je certifikacijska oznaka organizacije Wi-Fi Alliance

• Wi-Fi CERTIFIED Miracast i Miracast zaštitni su znakovi organizacije Wi-Fi Alliance.

• DLNA, logotip DLNA i DLNA CERTIFIED zaštitni su znakovi, servisni znakovi ili certifikacijske oznake organizacije Digital Living Network Alliance.

• Harman Kardon je zaštitni znak tvrtke HARMAN International Industries, Incorporated, koja je registrirana u SAD-u i/ili drugim državama.

## Što se nalazi u kutiji

### Kupovinom ovog TV uređaja dobivate sljedeće:

- 1x TV uređaj
- 1x paket za postavljanje TV stalka
- 1x daljinski upravljač
- 1x korisnički priručnik
- 2x AAA baterije
- 1 komplet za montiranje na zid (4 M6x35 vijka i 4 plastična držača razmaka)

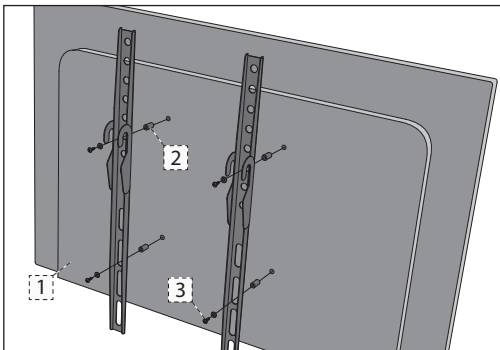
## Pričvršćivanje stalka

Pridržavajte se uputa na posljednjoj stranici ovog korisničkog priručnika.

## Postavljanje TV uređaja na zid

- Uklonite četiri priložena vijka koja se nalaze u otvorima za montažu uređaja na zid.
- Nosač za montažu TV uređaja na zid sada se može jednostavno pričvrstiti na otvore za montažu na stražnjoj strani TV uređaja.
- Postavite nosač za montažu uređaja na zid na televizijski uređaj na način opisan od strane proizvođača nosača.

Prilikom pričvršćivanja zidnih nosača za model od 50", umjesto vijaka isporučених u otvorima za montiranje televizora na zid, preporučujemo upotrebu dužih vijaka i držača razmaka u dodatnom priboru. Postavite držače razmaka u otvore za montiranje televizora na zid, koji se nalaze na poleđini televizora, a zatim na njih postavite zidne nosače. Pričvrstite nosače i držače razmaka na TV pomoću dužih vijaka, kao što je prikazano u nastavku:



- TV
- DRŽAČ RAZMAKA
- VIJAK

**NAPOMENA:** Tip TV-a i držača razmaka prikazan na slici samo je ilustrativne naravi.

## Početak rada - početno postavljanje

- Pomoću RF kabela spojite TV uređaj na utičnicu za TV antenu.
- Povezivanje s internetom možete obaviti žičnom vezom tako da povežete TV i širokopojasni modem/usmjerivač pomoću Cat 5/ Ethernet kabela (nije isporučен).

- Spojite električni kabel na stražnju stranu TV uređaja, a zatim na električnu utičnicu.
- Umetnite priložene baterije u daljinski upravljač.
- Nakon toga pritisnite gumb Standby (pripravnost) da uključite TV uređaj.
- Na zaslonu će se pojaviti poruka **Prvo postavljanje**. Ako se ta poruka ne pojavi, na daljinskom upravljaču pritisnite [MENU] (izbornik), a nakon toga 8-8-8-8 i pojaviti će se izbornik. Ako želite promijeniti zadane postavke, koristite gumb za pomicanje ▲/▼/◀/▶. Za izlaz iz izbornika pritisnite gumb [EXIT] (izlaz).
- Željene postavke postavite na zaslonu PRVO POSTAVLJANJE.**
  - KORAK** - Postavite jezik TV izbornika.
  - KORAK** - Postavite državu.
  - KORAK** - Postavite vrstu mrežnog spajanja. Ako ovaj korak želite preskočiti i kasnije spojiti TV uređaj s mrežom, odaberite Preskoči postavljanje mreže
  - KORAK** - Odaberite lokaciju TV uređaja. Za kućnu uporabu odaberite Dom. Za demonstracijski način rada odaberite Trgovina.
  - KORAK** - Odaberite ako TV uređaj ima stalak ili je postavljen na zid. TV uređaj postaviti će optimalne zvučne postavke za odabranu opciju.
  - KORAK** - Odaberite ulazni izvor kojeg želite koristiti. Ako ste na TV uređaj izravno spojili RF kabel, odaberite DTV. Ako je satelitski sustav spojen izravno na vaš TV uređaj, odaberite DVB-S\*. U slučaju korištenja satelitskog dekodera, odaberite ispravan TV ulaz na kojeg je dekodер spojen.

- Ako ste kod posljednjeg koraka odabrali DTV ili DVB-S2, na ekranu će se prikazati pitanje želite li podesiti kanale. Ako odaberete "Ne", kanale možete podesiti kasnije u izborniku POSTAVKE/KANAL. Ako odaberete "Da", prikazat će se izbornik za podešavanje kanala.

**Podešavanje kanala digitalne televizije (DTV):** Na DVB anteni odaberite vrstu signala kojeg imate. Zemaljski (DVB-T) ili kabelski (DVB-C). Nakon toga uđite u Automatsko podešavanje kanala i postavite željene postavke. Ponovno odaberite Automatsko podešavanje kanala kako bi se podešavanje kanala pokrenulo.

**Podešavanje kanala satelitskog sustava (DVB-S2):** Uđite u Automatsko podešavanje kanala i nakon toga u Satelit. Na ovom mjestu možete birati između različitih satelitskih sustava. Odaberite satelitski sustav kojeg želite podesiti tako da pritisnete gumb OK na daljinskom upravljaču. Nakon toga se vratite na prethodni izbornik pritiskom na gumb BACK (NATRAG) na daljinskom upravljaču i odaberite Automatsko podešavanje kanala za pokretanje podešavanja kanala.

**NAPOMENA:** Kako biste skratili vrijeme podešavanja satelitskih kanala, neke države prethodno su instalirale popis kanala za najpopularnije satelitske sustave u određenom području. Ako je to slučaj za vašu državu, na ekranu će se prikazati pitanje želite li učitati prethodno instaliran popis kanala. Ako odaberete "Da", popis satelitskih kanala uvest će se na vaš TV uređaj za nekoliko sekundi.

**SAVJET:** Ako nema određenih kanala, razlog tome je jačina signala. Razmislite o spajanju pojačala signala i ponovno podešavanje kanala na TV uređaju.

## Daljinski upravljač

- ⏻ **STANDBY** – uključiti TV kad se nalazi u stanju pripravnosti ili obratno.
- 🔇 **MUTE** – isključiti zvuk ili obratno.
- 0-9 – za odabir određenog TV kanala.
- TV GUIDE** – otvara 7-dnevni TV vodič (digitalni način rada).
- ↶ – za povratak na prethodni kanal.
- PICTURE** – micanje kroz opcije slikovnog načina rada.
- VOL ▲/▼** – za povećanje/smanjenje razine zvuka.
- CH ▲/▼** – za odabir kanala prema gore ili dolje.
- SOUND** – micanje kroz opcije zvučnog načina rada.
- SOURCE** – za prikaz izbornika za ulaz/izvor.
- MENU** – za prikaz izbornika zaslonskog prikaza (OSD).
- EXIT** – za izlaz iz svih izbornika.
- (▲/▼/◀/▶/OK)** – omogućuje navigiranje po izbornicima na zaslonu



i podešavanje postavki sustava prema vašim željama.

14. **BACK** – Natrag Na prethodni izbornik
15. **FAV** – za prikaz izbornika omiljenog sadržaja.
16. **INFO** – pritisnite jednom za informacije o trenutnom/sljedećem kanalu. Pritisnite dva puta za informacije o trenutnom programu.
17. **TEXT** – teletext način rada - za ulaz u teletext
18. **SUBTITLE** – za uključivanje/isključivanje prikaza podnaslova na dnu zaslona.
19. **TV** – prebacni na digitalnu TV.
20. **YouTube** – otvara aplikaciju YouTube
21. **NETFLIX** – otvara aplikaciju NETFLIX
22. **NET+** – prikazuje izbornik AQUOS NET+.
23. **Rec1** – PVR snimanje
24. **⏮** – za ponovno pokretanje trenutnog poglavlja
25. **▶▶** – Za prijelaz na sljedeće poglavlje
26. **■** – za zaustavljanje reprodukcije
27. **Rec List<sup>1</sup>** – otvara popis snimljenog sadržaja.
28. **⏪** – Za reprodukciju u načinu rada brzog premotavanja unatrag.
29. **▶▶** – Za reprodukciju u načinu rada brzog premotavanja naprijed.
30. **⏸** – Za reprodukciju/pauziranje
31. **GUMBI U BOJAMA** – dodatne teleteks funkcije i funkcije zaslonog prikaza (OSD)

<sup>1</sup> - dostupan samo s PVR funkcijom

## TV gumbi\*

**Vol+** povećanje glasnoće i izbornik desno

**Vol-** smanjenje glasnoće i izbornik lijevo

**CH+** micanje programa/kanala prema gore i izbornik gore

**CH-** micanje programa/kanala prema dolje i izbornik dolje

**MENU** prikazuje izbornik/OSD

**SOURCE** prikazuje izbornik ulaza/izvora

**STANDBY** uključuje/isključuje stanja pripravnosti

\* - za TV uređaje s gumbima

## Upravljački štap TV uređaja\*

Upravljački štap TV uređaja nalazi se na donjem lijevom uglu stražnje strane TV uređaja. Možete ga koristiti umjesto daljinskog upravljača za reguliranje svih funkcija vašeg TV uređaja.

**Kad je TV uređaj u stanju čekanja:**

- kratko pritisnite upravljački štap - uključuje

**Kad gledate TV:**

- DESNO/LIJEVO – povećanje/smanjenje glasnoće
- GORE/DOLJE – promjena kanala prema gore/dolje
- kratak pritisak – prikazuje izbornik
- dugi pritisak – stanje pripravnosti/uključuje/isključuje

**Kad ste u izborniku:**

- DESNO/LIJEVO/GORE/DOLJE – navigacija kursora na zaslonim izbornicima
- kratak pritisak – OK/Potv rdi odabranu stavku
- dugi pritisak – natrag na prethodni izbornik

\* - za TV uređaje s upravljačkom palicom

## Odabir načina ulaza/izvora

Za prebacivanje između različitih ulaza/priključaka.

**a) Uz pomoć gumba na daljinskom upravljaču:**

1. Pritisnite [SOURCE/☐] - pojavit će se izbornik izvora.
2. Pritisnite [◀] ili [▶] za odabir odgovarajućeg ulaza.
3. Pritisnite [OK].

**b) Uz pomoć gumba\* na televiziji:**

1. Pritisnite [SOURCE].
2. Pomičite gore/dolje uz pomoć gumba VOL+/VOL- kako biste odabirali odgovarajući ulaz/izvor.
3. Pritisnite [SOURCE] za promjenu ulaza/izvora na odabrani.

**b2) Uporaba upravljačkog štapa\* TV uređaja:**

1. Za ulazak u izbornik kratko pritisnite upravljački štap.
2. Upravljački štap pritisnite prema dolje i navigirajte kursorom na izbornik IZVORI.
3. Za ulazak u izbornik IZVORI kratko pritisnite upravljački štap.
4. Upravljačkim štapom odaberite potreban ulaz/izvor.
5. Kratkim pritiskom na upravljački štap promijenit ćete ulaz/izvor na odabrani.

\* - opcijnska


## Priključci

**Na 96. stranici pregledajte tabelu s vrstama priključaka za različite modele.**


 **USB**  
USB 2.0 ulaz 1, 2; USB 3.0 ulaz 3

 **HDMI 1, 2 (ARC), 3 in**  
HDMI2.0 ulaz 1, 2, 3

 **Čitač SD kartica**  
SD kartica ulaz

 **R/L - Video & YPbPr audio In**  
Komponenta/video audio ulaz

 **Video (CVBS)**  
VIDEO ulaz

 **Component/YPbPr**  
Komponenta HD ulaz

 **SCART**  
SCART ulaz


 **CI Card IN**  
CI ulaz

 **RF In**  
RF / TV antena ulaz

 **Sat In**  
Satelit ulaz

 **Digital Optical Audio Out**  
Digitalni optički izlaz

 **RJ 45**  
Ethernet

 **SLUŠALICE**  
3,5 mm izlaz za slušalice

 **D-link**  
samo ulaz za servisni izbornik

## Navigacija po TV izborniku

Za pristup izborniku pritisnite gumb [MENU] na daljinskom upravljaču. Za ulaz u izbornik pritisnite [OK]. Ako želite promijeniti zadane postavke, koristite gumb za pomicanje (▲/▼/◀/▶). Za potvrdu postavke pritisnite gumb [OK]. Za izlaz iz izbornika pritisnite gumb [EXIT] (izlaz).

## Netflix

Vodeća svjetska internetska televizijska mreža. U ponudi sadrži tisuće filmova i TV emisija, uključujući izvorne serije, dokumentarne i dugometražne filmove. Članovi mogu reproducirati, zaustaviti ili nastaviti s gledanjem emisija i to bez ikakvih reklama ili obaveza. U tu aplikaciju prijavite se svojim postojećim Netflix računom. Ako još nemate Netflix račun, možete se registrirati putem ove aplikacije ili službene internetske stranice Netflix.

## YouTube

Aplikacija za dijeljenje videozapisa koja vam omogućuje otkrivanje i gledanje originalno kreiranih videozapisa.

**NAPOMENA:** *Kako bi aplikacija YouTube radila, prethodno je potrebno postaviti točan datum i vrijeme na TV uređaju. Za više informacija o postavljanju datuma/vremena na TV uređaju pročitajte poglavlje VRUJEME u ovom korisničkom priručniku. Mreža ne smije blokirati pristup aplikaciji YouTube, a brzina internet veze treba biti dovoljno brza za prikaz sadržaja aplikacije YouTube.*

## Više aplikacija

Sadrži najčešće korištene aplikacije radi što bržeg i jednostavnijeg pristupa. **AQUOS NET+** - otvara portal Sharp SMART.

**Weather** - Aplikacija tvrtke AccuWeather za vremensku prognozu.

**Preglednik** - Aplikacija za pristup internetskim stranicama putem interneta. Navigiranje u pregledniku:

- **CH+** - pomicanje stranice prema gore
- **CH-** - pomicanje stranice prema dolje
- **crveni gumb** - prikaži/sakrij izbornu traku preglednika
- **žuti gumb** - povećanje prikaza
- **plavi gumb** - smanjenje prikaza

## Izvori

S ovog izbornika možete prebaciti ulazni signal TV uređaja na neki drugi izvor/spojeni uređaj.

## Mediji

**USB** - multimedijски način omogućuje reprodukciju različitih sadržaja pohranjenih na USB memoriji. Sadržaj se dijeli po vrstama datoteka: Photo (fotografije), Music (glazba) i Movie (filmovi).

Prikazuje se opcija datoteka (File Option), koja omogućuje reprodukciju svih vrsta podržanog sadržaja.

1. Izbornikom se možete kretati pomoću tipki za pomicanje ▲/▼/◀/▶. Da biste potvrdili stavku koju želite reproducirati/prikazati, pritisnite [OK].
2. Tijekom prikazivanja sadržaja možete upravljati načinima reprodukcije pomoću tipki na daljinskom upravljaču ili tako da prikazete navigacijski izbornik te odaberete gumbe na zaslonu ▲/▼/◀/▶ i [OK]

**NAPOMENA:** *USB produžni kabeli ne preporučuju se u ovom slučaju jer bi mogli uzrokovati smanjenje kvalitete slike/udio zapisa i prekidre tijekom reprodukcije USB sadržaja.*

**Miracast\*** - omogućuje gledanja sadržaja s pametnog telefona ili tableta na TV zaslonu. Bežično povezivanje omogućeno je pomoću Wi-Fi Direct tehnologije tako da pristup Wi-Fi mreži nije potreban. Možete podijeliti sadržaj s pametnog telefona ili tableta s Android 4.4. ili novijim sustavom.

**Medijski poslužitelj** - automatski pretražuje digitalne medijske poslužitelje (DMS) povezane na kućnu mrežu te omogućuje reprodukciju sadržaja s medijskih poslužitelja.

**\* - Ova je funkcija dostupna samo na nekim pametnim telefonima i prijenosnim računalima.**

## Slika

**Način slike** - odaberite između navedenih prethodno postavljenih postavki.

- **Standardno** - zadane postavke
- **Film** - podešava na svjetlije boje koje nisu jarke.
- **Osobno** - ručno podešavanje svih postavki
- **Eko** - potrošnja 15 % manje energije
- **Dinamično** - preporučene postavke za slike koje se brzo pokreću

**Kontrast** - mijenja balans između crnog i bijelog.

**Svjetlina** - povećava ili smanjuje svjetlinu slike.

**Jačina boja** - povećava jačinu boje od crne i bijele.

**Oštrina** - smanjuje ili povećava oštrinu slike. Temperatura boje - odaberite između sljedećih prethodno postavljenih postavki.

**Temperatura boje** - odaberite između sljedećih prethodno postavljenih postavki.

- **Normalno** - zadane postavke
- **Toplo** - pojačava crvenu boju unutar slike
- **Hladno** - pojačava plavu boju unutar slike

**Omjer** - format slike ovisi o kanalu/emitanju. Postoji velik broj različitih opcija koje mogu najbolje zadovoljiti vaše potrebe.

- **Automatski** - automatski prikazuje najbolji format slike.

Tako da je slika u pravilnom položaju. Na gornjem/donjem dijelu i/ili sa strane se mogu vidjeti crne linije.

- **4:3** - prikazuje format slike 4:3 u izvornoj veličini. Zaslon formata 16:9 ispunjen je bočnim trakama.

- **16:9** - ispunjava zaslon pravilnim 16:9 signalom.

- **Zumiranje 1/2** - slika je ispravnog omjera, ali je približena kako bi se ispunio zaslon.

- **Iz točke u točku (HDMI)** - prikazat će sliku u izvornoj rezoluciji bez ikakve promjene.

- **Pun zaslon** - rasteže signal kako bi se ispunio zaslon.

**Napredne postavke**

- **Smanjenje buke** - filtrira i smanjuje šumove (smetnje) na slici

- **Active Contrast** - automatski optimizira pozadinsko osvjetljenje i kontrast slike prema svjetlini zaslona.

- **Pozadinsko osvjetljenje** - podesite svjetlinu zaslona povećanjem/smanjenjem razine pozadinskog osvjetljenja ploče.

- **Gama** - podesite nijanse između svjetlih i tamnih dijelova slike.

- **Crvena** - podesite nijanse crvene boje na slici

- **Zelena** - podesite nijanse zelene boje na slici

- **Plava** - podesite nijanse plave boje na slici

## Zvuk

**Način zvuka** - odaberite između sljedećih prethodno postavljenih postavki

- **Standard** - zadane postavke
- **Glazba** - naglašava glazbu više od glasa
- **Film** - omogućuje pun zvuk uživo za filmove
- **Osobno** - bira osobne postavke za zvuk
- **Sport** - naglašava zvukove vezane uz sport

**Equalizer** - podešava glasnoću različitih zvučnih frekvencija. Razine ekvilizatora mogu se podesiti samo kada je odabran način "Personal" (Osobno).

**Slušalice**

- **HP+TV** - opcija za istovremenu reprodukciju zvuka s TV zvučnika i slušalica.

- **Glasnoća** - podešava glasnoću za slušalice

**Balans** - za prebacivanje zvuka s lijevog na desni zvučnik i obratno.

**Automatska jačina zvuka** - kad je odabrano uključeno, glasnoća će ostati na stalnoj razini zvuka bez obzira na ulaz/izvor.

**DTS TruSurround** - omogućuje uključjenje ili isključjenje efekta surround zvuka.

**Digitalni izlaz** - ovo je digitalni audio izlaz.

Odaberite između sljedećih opcija:

- **Isključeno** - isključeno
- **Automatski** - automatski bira najbolje postavke
- **PCM** - odaberite ovu opciju ako spajate stereo Hi-fi opremu putem digitalni kabela (pulsno-kodna modulacija (PCM) je digitalna reprezentacija analognog signala)

**Audio opis** - dodatni zvučni zapis za slabovidne osobe.

Dostupan samo kod odabranih DTV emisija.

**AD glasnoća** - za podešavanje glasnoće zvučnog zapisa audio opis

**Audio zapis** - omogućuje odabir drugačije audio datoteke / jezika za Digitalni TV ili medij.

**Audio kašnjenje (ms)** - omogućuje korisničko podešavanje zvučnih postavki kako bi se sinkronizirali slika i audio na TV zvučnicima.

**SPDIF kašnjenje (ms)** - omogućuje korisničko podešavanje zvučnih postavki kako bi se sinkronizirali slika i audio na vanjskim zvučnicima putem digitalnog audio izlaza.

## Postavke

### KANAL

**DVB antena** - postavlja vrstu DTV signala

- **Zemaljski** - zemaljski (DVB-T)
- **Kabelski** - kabelski (DVB-C)

**Automatsko biranje** - omogućuje ponovno biranje svih digitalnih kanala televizije, digitalnih radio postaja i analognih kanala.

**ATV - ručne postavke** - omogućuje ručno biranje analognih signala.

**DTV - ručne postavke** - omogućuje ručno biranje digitalnih signala.

**Uređivanje programa** - omogućuje brisanje, preskakanje i dodavanje omiljenih kanala.

- **Crvena tipka** - izbrisi odabrani kanal.
- **Žuta tipka** - premjesti odabrani kanal. S kursorom se pomaknite na kanal kojeg želite premjestiti na drugačiji položaj te nakon toga pritisnite ŽUTU tipku. Sada premjestite odabrani kanal uz pomoć strelice GORE/DOLJE na željeni položaj i ponovno pritisnite ŽUTU tipku kako biste potvrdili njegov novi položaj na popisu kanala.
- **Plava tipka** - preskoči odabrani kanal. Kanali koji su odabrani za preskakanje neće se prikazivati kod pritiska tipki CH+ ili CH-.

**Informacije o signalu** - informacije o DVB signalu.

**CI informacije** - za usluge plaćanja po gledanju potrebna je pametna kartica koja se umetne u TV. Ako se pretplatite na uslugu plaćanja po gledanju, pružatelj usluge izdat će CAM modul i pametnu karticu. CAM modul se zatim umetne u priključak priključak zajedničko sučelja (CI Card In).

**LCN** - postavite LCN na uključeno ako kanale želite urediti po željama pružatelja usluga (vrijedi samo za DVB-T i DVB-C kanale).

**Automatsko ažuriranje kanala** - ako ovu opciju postavite na UKLJUČENO, pružatelj usluge povremeno će ažurirati položaje, nazive i frekvencije kanala. To bi vam moglo uzrokovati probleme ako ste sami raspoređivali kanale. U tom slučaju preporučamo postavljanje ove opcije na isključeno. Snimljena lista\* - popis snimanih TV emisija.

**Popis rasporeda** - popis podsjetnika za programe.

**Postavljanje satelitske antene** - ovaj izbornik dostupan je samo u DVB-S2 načinu rada. Možete odabrati vrstu satelita, transpondera i LNB-a itd.

**OAD (ažuriranje softvera)** - Ukjučiti/Isključiti ažuriranje softvera OAD (bežično ažuriranje).

\* - samo za uređaje s ugrađenom PVR funkcijom

### MREŽA

**Konfiguracija mreže** - (Mrežna konfiguracija) Prvo treba odabrati vrstu veze. Možete odabrati Wi-Fi ili Wire (žičnu) vezu.

**NAPOMENA:** Povezivanje s internetom možete obaviti žičnom vezom tako da povežete TV i širokopolasni modem/ usmjerivač pomoću Cat 5/Ethernet kabela (nije isporučen).

**IP konfiguracija** - postavke LAN mrežne veze

- **Auto** - automatski povezuje TV s kućnom mrežom (to je zadana postavka i toplo se preporučuje)
- **Ručno** - omogućuje ručnu promjenu IP adrese, mrežne maske (Netmask), pristupnika (Gateway) i DNS-a.

**Wi-Fi Configuracija** - postavke bežične mreže

- **Wi-Fi automatsko pretraživanje** - automatski traži dostupne bežične mreže. Odaberite željenu Wi-Fi mrežu, a zatim unesite mrežnu lozinku (ako je mreža njome zaštićena. Kada sustav prihvati lozinku, više je nećete morati unositi.

**NAPOMENA:** postupak povezivanja može potrajati nekoliko minuta, stoga budite strpljivi. Televizor će se nakon toga automatski povezivati s mrežom nakon svakog uključivanja, što također može malo potrajati.

**Informacije o mreži** - informacije o mrežnim postavkama

**Testiranje mreže** - test mrežne veze

### VRIJEME

**Auto sink** - automatski podešava vrijeme i datum na TV uređaju. TV je potrebno podesiti na primanje digitalnog signala i/ili internet vezu.

Isključite postavku "Auto sink" ako želite ručno podesiti postavke za vrijeme i datum. Ako je postavka "Auto sink" isključena, a vrijeme i datum ručno su podešeni, ovi podaci će se resetirati kad se isključi napajanje TV uređaja.

**Sat** - prikazuje datum i vrijeme. Može se podesiti kad je postavka "Auto sink" isključena.

**Vrijeme isključenja** - omogućuje postavljanje određenog vremena za isključenje TV-a.

**Vrijeme uključivanja** - omogućuje postavljanje vremena za uključivanje TV-a nakon čega će se prikazati kanal, izvor će se uključiti, a tako i glasnoća. Ova funkcija se može postaviti tako da se ponavlja svaki dan ili samo određene dane.

**Mjerač vremena za unaprijed podešeno isključivanje** - omogućuje postavljanje mjerača vremena za isključivanje tako da se televizija automatski isključi nakon određenog vremenskog razdoblja. Isključeno -> 10 min. -> 20 min. -> 30 min. -> 60 min. -> 90 min. -> 120 min. -> 180 min. -> 240 min.

**Mjerač vremena na prikazu ekrana** - omogućuje podešavanje vremenskog razdoblja u kojem izbornik ostane na zaslonu prije nego što se isključi.

**Automatsko isključivanje stanja spremnosti** - podešavanje automatskog isključivanja stanja spremnosti u vremenskim razmacima od 1 sata: Isključeno -> 3h -> 4h -> 5h.

**Vremenska zona** - mijenja trenutnu vremensku zonu.

### ZAKLJUČAJ

**Zaključaj sustav** - omogućuje zaključavanje ili otključavanje izbornika. Bit će potrebno unijeti 4-znamenkastu lozinku. Uz pomoć gumba ◀ prekinite unos lozinke. Uz pomoć gumba ▶ obrišite lozinku. Zadana lozinka je 0000.

**Postavi lozinku** - promijenite zadanu lozinku.

**Blokiraj program** - zaključajte određene TV kanale.

**Roditeljski nadzor** - zaključavanje TV kanala na temelju dobnog ograničenja.

**Blokada tastera** - omogućuje zaključavanje upravljačke palice za TV uređaj na stražnjoj strani TV uređaja.

**Zaključavanje izvora** - omogućuje skrivanje odabranih ulaza sa izbornika izvora.

**Hotelski način** - napredne postavke za hotele.

### POSTAVKE

**Jezik** - omogućuje promjenu jezika na izborniku.

**Audio jezici** - omogućuju promjenu audio jezika na odabranim DVB kanalima.

**Jezik podnaslova** - omogućuje promjenu jezika podnaslova na odabranim DVB kanalima.

**Za os. oš. sluha** - ako signal pruža podršku osobama oštećenog sluha, moguća je reprodukcija podnaslova pritiskom na

"Podnaslov". Ako postavku Osobe oštećenog sluha postavite na uključeno i prebacite se na kanal koji sadrži podnaslove za osobe oštećenog sluha, postavka će se automatski aktivirati.

**Plavi ekran** - mijenja pozadinu kad nema nikakvog unosa između prozire i plave pozadine (dostupno samo kod određenih izvora).

**PVR sustav datoteka** - opcije PVR snimanja\*

- **Odaberi disk** - odaberite USB priključak i particiju diska
  - **Veličina vremenskog pomaka** - postavlja veličinu memorije funkcije vremenskog pomaka.
  - **Formatiranje** - možete formatirati spojene USB uređaje na FAT 32 sustav datoteka.
- UPOZORENJE: SVI PODACI NA USB UREDAJU ČE SE IZBRISATI**
- **Brzina** - testira brzinu zapisivanja spojenog USB uređaja.

\* - **samo za uređaje s ugrađenom PVR funkcijom**

**Prvo postavljanje** - započinje postupak prvog postavljanja. **Nadogradnja softvera (USB)** - s vremena na vrijeme objavit ćemo novu opremu radi poboljšanja rada televizije (dostupno za preuzimanje). Ovaj izbornik omogućuje instaliranje novog softvera/opreme na televiziju. Više detalja o načinu ažuriranja objavit ćemo zajedno s opremom. Obratite se podršci za korisnike ili potražite pomoć na internetskoj stranici 'www.sharp.eu/av'. **Nadogradnja softvera (NET)** - omogućuje ažuriranje softvera televizora putem interneta. Ova će funkcija tražiti novi softver te po potrebi obavljati ažuriranja.

**NAPOMENA:** TV će automatski tražiti nova izdanja softvera prilikom svakog uključivanja. Ako pronađe novi softver, prikazat će upit želite li ga preuzeti i instalirati. Ako odaberete "Yes" (Da), TV će nadograditi na najnoviji softver. **UPOZORENJE:** nemojte isključivati napajanje televizora dok se nadogradnja ne dovrši!

**Vraćanje tvorničkih postavki** - vraćanje izbornika na tvorničke postavke. **HDMI CEC\*** - omogućuje upravljanje uređajima spojenim putem HDMI s daljinskim upravljačem TV-a.

- **Popis uređaja\*** - omogućuje pristup izborniku uređaja i upravljanje izbornikom pomoću TV daljinskog upravljača.
- **HDMI CEC** - omogućiti/onemogućiti funkciju HDMI CEC.
- **Automatsko uključivanje stanja spremnosti\*** - automatski uključuje/isključuje uređaje spojene putem HDMI CEC.
- **HDMI ARC\*** - šalje audio signal sa zemaljskog/satelitskog odašiljača putem HDMI na AV prijamnik bez korištenja dodatnih audio kabela, ova funkcija dostupna je samo na HDMI 2 izlazu.

\* - **spojeni uređaj mora podržavati HDMI CEC.**

**HDMI EDID** - odašilje mogućnosti TV uređaja (rezolucija, audio podrška itd.) izravno na uređaje spojene putem HDMI ulaza. Ova stavka omogućuje prebacivanje načina rada odabranih HDMI ulaza iz načina rada HDMI u HDMI2.0 i obratno.

- **Standard** - preporuča se ako je TV uređaj spojen na uređaj putem HDMI 1.4 izlaza ili niže, npr. Full HD Blu-Ray reproduktor, DVD reproduktor ili igraća konzola.
- **Poboljšanje** - preporuča se ako je TV uređaj spojen na uređaj putem HDMI 2.0 izlaza, npr. 4K Blu-ray reproduktor ili moderno osobno računalo.

**LED status** - omogućuje korisniku uključivanje ili isključivanje LED lampica indikatora napajanja kad TV radi. (kad je ova opcija isključena, LED lampica indikatora napajanja treperit će samo kad se koristi daljinski upravljač).

**HbbTV** - omogućuje korisniku uključivanje/isključivanje HbbTV-a. Kako biste koristili HbbTV, TV uređaj mora biti spojen na internet, a kanal koji se gleda mora podržavati HbbTV uslugu.

**Verzija softvera** - prikazuje verziju TV softvera

**Source Edit** - omogućuje korisniku ručno preimenovanje stavki na popisu ulaznih izvora. Na primjer, ulaze možete preimenovati u nazive spojenih uređaja.

## AQUOS NET+

AQUOS NET+ omogućuje uporabu raznih aplikacija ili pregledavanje weba na vašem AQUOS LCD TV uređaju. Da biste u bilo kojem trenutku pristupili izborniku AQUOS NET+, pritisnite tipku NET+ na daljinskom upravljaču ili odaberite funkciju putem izbornika Više aplikacija na televizoru.

**NAPOMENA:** pričekajte dok se televizor ne poveže s Wi-Fi mrežom.

Za to može biti potrebno nekoliko minuta nakon što uključite TV.

Krećite se izbornicima pomoću tipki ▲/▼/◀/▶. Da biste potvrdili stavku koju želite reproducirati/prikazati, pritisnite [OK]. Za "jedan korak" natrag pritisnite tipku [Menu], a dodatnim funkcijama pristupite pomoću tipki u boji. Za izlaz iz izbornika AQUOS NET+ pritisnite [EXIT].

**Home** - početni zaslon s preporučenim filmovima i nedavno otvorenim aplikacijama

**Apps** - otvara popis dostupnih aplikacija

**Movies** - otvara popis dostupnih filmova

**TV Shows** - otvara popis dostupnih TV emisija

**Music** - otvara popis dostupne glazbe i glazbenih videospotova

**Igre** - popis igrice i aplikacija vezanih uz igrice

**Sport** - popis aplikacija vezanih uz sport

**Vijesti** - popis aplikacija vezanih uz vijesti

**Pretraživanje** - tražnje aplikacije unosom naziva ili dijela naziva

**Moje aplikacije** - Dodavanjem aplikacija na popis "Moje aplikacije" brzo ćete moći pristupiti omiljenim aplikacijama. Kako biste nekog aplikaciju dodali na popis, prvo označite tu aplikaciju i pritisnite zeleni gumb. Nakon toga ta će se aplikacija prikazati na popisu "Moje aplikacije".

Kako biste uklonili neželjenu aplikaciju s popisa "Moje aplikacije", označite aplikaciju koju želite izbrisati i pritisnite zeleni gumb.

**Postavke** - U izborniku za postavke možete promijeniti jezik

portala Aquos NET+, postaviti filtar za aplikacije s obzirom na

odabrani jezik i vratiti korisničke postavke na zadane postavke.

**VRAĆANJE KORISNIČKIH POSTAVKI NA ZADANE:** Ako korisničke postavke želite vratiti na zadane na portalu Aquos NET+, prvo uđite u izbornik portala za postavke i nakon toga odaberite "Resetiraj uređaj". Uz pomoć kursora odaberite DA te nakon toga pritisnite OK na daljinskom upravljaču kako biste potvrdili vraćanje postavki na zadane.

**NAPOMENA:** da bismo ispunili zahtjeve klijenata, svoje proizvode poboljšavamo. Kao rezultat naših stalnih napora, na AQUOS NET+ kontinuirano će se dodavati nove aplikacije. Aplikacije i sadržaj na usluzi AQUOS NET+ mogu se promijeniti bez najave. Neke funkcije i sadržaji možda neće biti dostupni u vašoj državi.

## 7-dnevni TV vodič

TV vodič dostupan je u načinu rada digitalne TV. Sadrži informacije o nadolazećim programima (kad to podržavaju digitalni kanali). Možete pronaći informacije i početku i kraju svih programa na svim kanalima za sljedećih 7 dana i postaviti podsjetnike.

1. Pritisnite [TV GUIDE] (TV vodič). Na zaslonu će se pojaviti 7-dnevni TV vodič.
2. Navigirajte vodičem pomoću gumba ▲/▼/◀/▶. **Sada možete:** Snimati odabrane TV kanale i TV emisije pritiskom na CRVENI gumb\*. Postaviti podsjetnik pritiskom na ZELENI gumb. Gledati vodič prethodnog dana pritiskom na ŽUTI gumb. Gledati vodič za sljedeći dan pritiskom na PLAVI gumb. [INFO] prikazuje detaljne informacije o odabranoj objavi
3. Pritisnite [EXIT] za izlaz iz 7-dnevnog TV vodiča.

\* - **samo za modele sa funkcijom snimanja**

## USB snimanje - digitalni način rada\*

U televiziju je ugrađena oprema za USB snimanje. Ova funkcija dostupna je u digitalnom načinu rada kad se koristi zajedno s kompatibilnom USB memorijom ili USB hard diskom. Prednosti te opreme su:

- pauziranje TV prijenosa uživo i nakon toga reprodukcija, brzo premotavanje prema naprijed i unatrag (sve do prijenosa TV uživo).
- snimanje pritiskom jednog gumba ako se odlučite na snimanje trenutnog programa.
- jednostavno programiranje snimanja sa 7-dnevnog TV vodiča s obzirom na prirodu proizvoda potrebno je koristiti USB memoriju visoke brzine (budući da TV čita i istovremeno zapisuje na memoriju, neke USB memorije nisu prikladne).

Minimalne specifikacije - USB memorija

- **Brzina čitanja** - 20 Mb/s (mega bita u sekundi)
- **Brzina pisanja** - 6 Mb/s (mega bita u sekundi)

### Pauziranje TV emisija uživo (vremenski pomak)\*

Pauziranje TV emisija uživo vrlo je jednostavno.

- Pritisnite gumb za reprodukciju/pauziranje i televizija će se zaustaviti, dok će se sadržaj uživo snimati. Za nastavak gledanja ponovno pritisnite gumb za reprodukciju/pauziranje. Pritisnite brzo premotavanje prema naprijed za premotavanje naprijed na snimljenom sadržaju (tj. preskakanje reklama).
- Pritisnite brzo premotavanje unatrag za premotavanje unatrag na snimljenom sadržaju (tj. ako ste preotali predaleko).

**SAVJET:** Kad TV prebacite na stanje pripravnosti ili promijenite kanal, briše se memorija vremenskog pomaka. Za ponovno pokretanje funkcije vremenskog pomaka pritisnite gumb za reprodukciju/pauziranje.

### Snimanje pritiskom jednog gumba

U bilo kojem trenutku možete se odlučiti na snimanje kanal kojeg trenutno gledate. Kako biste to učinili, pritisnite gumb [REC].

**SAVJET:** Ova televizija sadrži TV birač kanala, stoga može snimati samo kanale koje gledate ili samo jedan kanal dok je televizija u stanju pripravnosti.

**NAPOMENA:** Funkcija USB snimanja dostupna je samo u načinu rada digitalne TV. Zbog autorskih prava i nezakonitog kopiranja/snimanja nije moguće snimanje na/sa bilo kojih drugih izvora za ulaz/izlaz.

\* - samo za uređaje s ugrađenom PVR funkcijom

## HDR (visok dinamički raspon)

HDR videozapis uklanja određena ograničenja signala standardnog videozapisa i prikazuje sliku sa širim rasponom boja i svjetline.

**NAPOMENE:**

- HDR funkcija aktivirat će se automatski ako se detektira HDR signal pod uvjetom da je HDMI EDID postavljen na "Poboljšanje" u izborniku 'POSTAVKE'.
- Na ovom uređaju može se prikazivati HDR sadržaj putem HDMI ili USB ulaza.
- Ako ćete se povezati putem jednog od HDMI ulaza, vanjski uređaj također treba podupirati HDR, HDMI2.0 i reproducirati HDR masteriran sadržaj.
- Ovaj uređaj ne podržava HDR sadržaj s ugrađenih aplikacija, npr. Netflix ili YouTube.

## Specifikacije proizvoda

Zaštitni znak	
Model	LC-50UI7222E LC-50UI7322E LC-50UI7422E
Razred energetske učinkovitosti	A+
Veličina zaslona (dijagonalno)	50" / 127cm
Potrošnja energije kada je uređaj uključen:	70,0 W
Godišnja potrošnja energije*	102 kWh
Potrošnja energije u stanju pripravnosti**	<0,50 W
Potrošnja energije u isključenom načinu rada	N/A
Rezolucija ekrana	3840 (H) x 2160 (V)

\* - potrošnja energije XYZ kWh u godini, na temelju potrošnje energije televizije uključene 4 sata na dan u 365 dana. Stvarna potrošnja energije ovisi će o načinu korištenja televizije.

\*\* - kad je TV isključen, a daljinski upravljač i nijedna funkcija nisu aktivirani.

## Važne bezbednosne instrukcije



**Molimo vas da pročitate ove bezbednosne instrukcije i da poštujete sledeća upozorenja pre nego što počnete da rukujete uređajem:**

**Kako biste sprečili požar, uvek držite sveće i druge predmete sa otvorenim plamenom podalje od ovog proizvoda.**



- Televizori sa veličinom ekrana od 43" ili većim moraju da se podignu i nose od strane bar dve osobe.
- Ovaj televizor ne sadrži nikakve delove koje može da opravi korisnik. U slučaju greške, obratite se proizvođaču ili ovlašćenom servisnom prodavcu. Dolaženje u dodir sa određenim delovima unutar televizora može da dovede u opasnost vaš život. Garancija ne važi za greške koje su izazvane popravkama izvršenim od strane neovlašćenih trećih lica.
- Ne uklanjajte zadnji deo uređaja.
- Ovaj uređaj je dizajniran za prijem i reprodukciju video i zvučnih signala. Bilo koje drugo korišćenje je strogo zabranjeno.
- Da biste isključili TV sa glavnog napajanja izvucite glavni utikač sa glavne utičnice.
- Ako je dovodni kabl oštećen, on mora biti zamenjen od strane proizvođača, servisnog prodavca ili slično kvalifikovanih osoba kako bi se izbegla opasnost.
- Idealna razdaljina za gledanje televizije je otprilike pet puta duža od dijagonale ekrana. Odsjaji na ekranu od drugih izvora svetlosti mogu da pogoršaju kvalitet slike.
- Postarajte se da televizor ima dovoljno ventilacije i da nije u blizini drugih uređaja i drugih delova nameštaja.
- Postarajte se da postoji minimalno rastojanje od 5 cm oko uređaja zarad dovoljne ventilacije.
- Postarajte se da otvori za ventilaciju ne sadrže stvari kao što su novine, stolnjaci, zavese, itd.
- Televizor je dizajniran za korišćenje na umerenoj klimi.
- Ne izlažite televizor tečnošću koja curi ili prska.
- Televizor je dizajniran samo za rukovanje na suvom mestu. Kada koristite televizor napojili, molimo vas da se postarate da bude zaštićen od vlage (kiša, voda koja prska). Nikada ga ne izlažite vlazi.
- Ne stavljajte bilo kakve objekte, činjne napunjene tečnošću, kao što su vaze, itd. na TV. Ove posude mogu da se gurnu, što može da dovede u opasnost električnu bezbednost. Stavite televizor samo na ravnu i stabilnu površinu. Ne stavljajte nikakve objekte kao što su novine ili čebad, itd. na ili ispod televizora.
- Postarajte se da uređaj ne stoji na kablovima za napajanje jer mogu da se oštete. Mobilni telefoni i drugi uređaji kao što su WLAN adapteri, video nadzori sa bežičnim prenosom signala, itd. mogu da izazovu elektromagnetnu interferenciju i ne treba da se stave u blizini uređaja.
- Ne stavljajte uređaj blizu grejnih elemenata ili na mesto sa direktnom sunčevom svetlošću jer to ima negativni uticaj na hlađenje uređaja. Nagomilavanje toplote je opasno i može ozbiljno da smanji vek trajanja uređaja. Kako biste obezbedili bezbednost, zamolite kvalifikovanu osobu da ukloni prijavštinu sa uređaja.
- Pokušajte da sprečite štetu nad glavnim kablovima ili glavnim adapterima. Uređaj može da se poveže samo sa dostavljenim glavnim kablovima/adapterima.

- Oluje su opasne za sve električne uređaje. Ako su glavne ili antenske žice udarene gromom, uređaj će se možda oštetiti, čak i ako je isključen. Treba da isključite sve kablove i konektore uređaja pre oluje.
  - Da biste obrisali ekran uređaja koristite samo vlažnu i mekanu krpu. Koristite samo čistu vodu, nikada deterdžente i nikako ne koristite rastvarače.
  - Pozicionirajte televizor blizu zida kako biste izbegli mogućnost da on padne kada se gurne.
  - UPOZORENJE - Nikada ne stavljajte televizor na nestabilnu lokaciju. Televizor može da padne, što može da dovede do ozbiljne lične povrede ili smrti. Mnogo povreda, naročito dečijih, može da se izbegne ako se preduzmu jednostavne predoštrožnosti kao što su:
  - Koristite ormariče ili stalke preporučene od strane proizvođača televizora.
  - Koristite samo nameštaj koji može bezbedno da podrži televizor.
  - Postarajte se da televizor ne visi sa strane podržanog nameštaja.
  - Ne stavljajte televizor na visok nameštaj (na primer, viseće ormariče ili police na knjige) ako niste učvrstili i nameštaj i televizor na odgovarajuću podršku.
  - Ne stavljajte televizor na tkaninu ili druge materijale koji se možda nalaze između televizora i podržanog nameštaja.
  - Obavezite decu o opasnostima penjanja na nameštaj da bi dohvatili televizor ili njegov daljinski upravljač.
  - Postarajte se da se deca ne penju niti da vise na TV-u.
  - Ako se vaš postojeci televizor zadržava ili menja lokaciju, isti uslovi navedeni iznad treba da se primene.
  - Instrukcije prikazane ispod predstavljaju sigurniji način za postavljanje televizora, putem fiksiranja na zid i to će izbeći mogućnost pada i izazivanja ozlede i štete.
  - Za ovaj tip instalacije trebaće vam kabl za učvršćivanje
    - A) Koristite jednu/obe rupe za montiranje na vrhu zida i šrafova (šrafovi su već dostavljeni u rupe za montiranje na zidu), zategnite jedan kraj kabla/kablova za učvršćivanje na televizor.
    - B) Pričvrstite drugi kraj kabla/kablova za pričvršćivanje na vaš zid.
  - Softver na vašem televizoru i OSD izgled mogu da se promene bez napomene.
  - Napomena: U slučaju elektrostatičkog pražnjenja (ESD) uređaj će prikazivati neispravnu funkciju. U tom slučaju TV uređaj isključite te ga zatim ponovno uključite. TV uređaj radić će normalno.
- ### Upozorenje:
- Ne koristite TV aparat odmah nakon otpakivanja. Sačekajte dok se TV ne ugrije do sobne temperature pre nego što ga koristite.
  - Nikada ne povežite bilo koje spoljašnje uređaje sa uključenom spravom. Isključite ne samo televizor već i uređaje koji su povezani! Uključite utikač televizora u zidnu utičnicu nakon povezivanja bilo kojih spoljnih i antenskih uređaja!
  - Uvek se postarajte da postoji slobodan pristup glavnim utikačima televizora.
  - Uređaj nije dizajniran za korišćenje na radnom mestu gde ima monitora.
  - Stalno korišćenje slušalica pri visokoj jačini može da dovede do nepovratnog oštećenja sluha.
  - Postarajte se da od uklanjanje ovog uređaja i drugih komponenti uključujući baterije bude ekološko. Kada niste sigurni, molimo vas da se obratite vašoj lokalnoj službi u vezi sa detaljima recikliranja.
  - Dok instalirate uređaj, ne zaboravite da površine nameštaja sadrže razne lakove, plastiku, itd. ili da su možda polirane. Hemikalije koje ovi proizvodi sadrže mogu da proizvedu reakciju sa postojeljem televizora. Ovo može da dovede od toga da se delovi materijala zalepe za površinu nameštaja, što je teško ukloniti, ako ne i nemoguće.
  - Ekran vašeg televizora je proizveden pod vrhunskim uslovima kvaliteta i detaljno je proveren nekoliko puta zarad faličnih piksela. Usled tehnoloških karakteristika procesa proizvodnje, nije moguće eliminisati postojanje malog broja faličnih tačaka na ekranu (čak i sa maksimalnom brigom tokom proizvodnje). Ovi falični pikseli se ne smatraju greškom u smislu uslova garancije, ako njihov broj nije veći od granica definisanih putem DIN normativa.

- Proizvođač ne može da garantuje, ili da odgovara, za probleme u vezi sa korisničkom uslugom koja je povezana sa sadržajem ili uslugama treće stranke. Bilo kakva pitanja, komentari ili upiti u vezi usluga povezanih sa sadržajem ili uslugom trećih stranaka treba uputiti direktno ponuđaču primenljive sadržine ili usluge.
- Postoji nekoliko razloga zašto ne možete da pristupite sadržaju ili uslugama sa uređaja a koje nisu u vezi sa samim uređajem, uključujući, ali ne ograničavajući se na, nedostatak napajanja, vezu sa internetom, ili nemogućnost pravilne konfiguracije vašeg uređaja. Universal Media Corporation, njegovi direktori, službenici, zaposleni, agenti, ugovarači i pridružena lica neće odgovarati vama ili trećim strankama u vezi sa takvim nedostacima ili kratkim spojevima pri održavanju, bez obzira na uzrok ili na to da li je ili nije mogao da se spreči.
- Svi sadržaji treće stranke ili usluge dostupne putem ovog uređaja su vam ponuđene po osnovi „tako je kako je“ i „kako je dostupno“ a Universal Media Corporation i njihove podružnice ne garantuju niti vam predstavljaju bilo šta, ili direktno ili indirektno, uključujući, bez ograničenja, bilo kakve garancije prodaje, nekršenja, dostupnosti za određeni cilj ili bilo kakve garancije za odgovaranje, dostupnost, tačnost, kompletnost, bezbednost, naziv, korišćenje, nedostatak nemarnosti ili nedostatak greške ili neprekidno rukovanje ili korišćenje sadržaja ili usluga koje su vam ponuđene ili da će sadržaj ili usluge ispuniti vaše zahteve ili očekivanja.
- „Universal Media Corporation“ nije agent i ne preuzima nikakvu odgovornost za akte ili nedostatke sadržine trećih stranaka ili ponuđača usluge, niti bilo kakvog aspekta sadržaja ili usluge u vezi sa takvim ponuđačima trećih stranaka.
- Ni u kom slučaju neće „Universal Media Corporation“ i/ili njene podružnice odgovarati vama ili bilo kojoj trećoj stranki za bilo koje direktne, indirektno, specijalne, slučajne, kaznene, značajne ili druge štete, bez obzira da li je teorija o odgovornosti osnovana na ugovoru, deliktu, nemarnosti, nepoštovanju garancije, ozbiljne odgovornosti ili nečeg drugog i da li su ili nisu Universal Media Corporation i/ili njene podružnice savetovane o mogućnošću takvih šteta.

## Važne informacije u vezi sa korišćenjem video igrice, računara, natpisa i drugih fiksiranih prikaza slika.

- Produženo korišćenje programskog materijala fiksiranih slika može da izazove trajnu „sliku senke“ na LCD ekranu (ovo se ponekad nepravilno zove „pregorevanje ekrana“). Ova slika senke je zatim trajno vidljiva na ekranu u pozadini. To je nepopravljiva šteta. Možete da izbegnete takvu štetu sledeći instrukcije ispod:
- Smanjite podešavanje osvetljenja/kontrasta na nivo minimalnog pregleda.
- Ne prikazujte fiksiranu sliku duži vremenski period. Izbegnite prikazivanje:
  - » Vremena i grafikona teleteksta,
  - » TV/DVD menija, npr. DVD sadržaj,
  - » U režimu „Pauza“ (pritisnite): Ne koristite ovaj režim duži vremenski period, npr. dok gledate DVD ili video.
  - » Isključite uređaj ako ga ne koristite.

## Baterije

- Obratite pažnju na pravilan polaritet kada ubacujete baterije.
- Ne izlažite baterije visokim temperaturama i ne postavljajte ih na lokacije gde temperatura može brzo da poraste, npr. blizu vatre ili na direktnu sunčevu svetlost.
- Ne izlažite baterije preteranoj zračenoj toploti, ne bacajte ih u vatru, ne rastavljajte ih i ne pokušavajte da napunite nepunjive baterije. Mogu da procure ili da eksplodiraju.
  - » Nikada ne koristite zajedno različite baterije niti mešajte nove i stare.
  - » Uklonite baterije na ekološki način.
  - » Većina EU zemalja reguliše uklanjanje baterija zakonom.



Cd

## Uklanjanje

- Ne uklanjajte ovaj televizor kao nesortirani opštinski otpad. Vratite ga na određenu tačku prikupljanja za recikliranje WEEE. Kada to uradite, pomoćete očuvanju resursa i zaštititi okolinu. Obratite se vašem prodavcu ili lokalnoj službi za više informacija.



## CE izjava:

- Ovim UMC Poland Sp. z o.o. izjavljuje da ovaj LED TV poštuje sve bitne zahteve i druge važne odredbe RED direktive 2014/53/EU. Pun tekst EU deklaracije o usaglašenosti je dostupan ako se sledi veza <https://www.sharpcorner.eu/documents-of-conformity/>.

## Zaštitni znaci

- Nazivi HDMI i HDMI High-Definition Multimedia Interface i HDMI logo su zaštitni znaci ili registrovani zaštitni znaci HDMI Licensing, LLC u Sjedinjenim Američkim Državama i drugim zemljama.

- Logo „DIGITALEUROPE UHD prikaz“ je zaštitni znak DIGITALEUROPE.

- DVB logo je registrovani zaštitni znak Digital Video Broadcasting - DVB - projekta.

- Proizvedeno pod licencom Dolby Laboratories. Dolby, Dolby Audio i dupli-D simbol su zaštitni znaci Dolby Laboratories.

- Za DTS patente, pogledajte <http://patents.dts.com>. Proizvedeno pod licencom DTS Licensing Limited. DTS, simbol i DTS i simbol zajedno su registrovani zaštitni znaci. DTS Studio Sound je zaštitni znak DTS, Inc. © DTS, Inc. Sva prava zadržana.

- YouTube i YouTube logo su zaštitni znaci Google Inc

- Wi-Fi CERTIFIKOVANI logo je sertifikovana oznaka Wi-Fi Alliance.

- Wi-Fi CERTIFIKOVANI Miracast i Miracast su zaštitni znaci Wi-Fi Alliance.

- DLNA, DLNA logo i DLNA CERTIFIKOVANI su zaštitni znaci, znaci usluga ili sertifikovani znaci Digital Living Network Alliance.

- Harman Kardon je zaštitni znak HARMAN International Industries, Incorporated, registrovan u Sjedinjenim Američkim Državama i/ili drugim zemljama.

## Šta se nalazi u kutiji

### Dostava ovog televizora uključuje sledeće delove:

- 1x televizor
- 1x paket za instalaciju stalka televizora
- 1x daljinski upravljač
- 1x korisničko uputstvo
- 2x AAA baterije
- 1x komplet za montiranje na zid (4x M6x35 šraf i 4x plastična razmaknica)

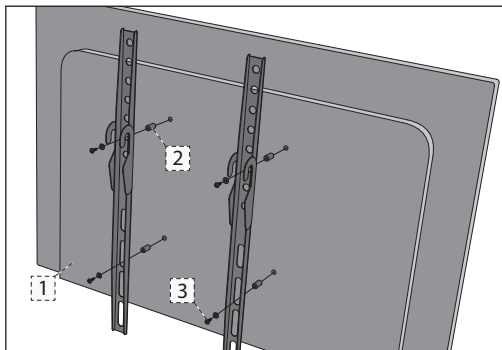
## Pričvršćivanje stalka

Molimo vas da sledite instrukcije na poslednjoj strani ovog korisničkog uputstva.

## Montiranje TV-a na zid

1. Uklonite četiri šrafa koja se nalaze u rupama za montiranje na zid.
2. Montiranje na zid sada može lako da se prikaži putem rupa za montiranje na zadnjoj strani TV-a.
3. Instalirajte držač za montiranje na zid na televizor onako kako je preporučeno od strane proizvođača držača.

Kada se stavljaju nosači na zidno montiranje na 50" model, umesto šrafova koji se nalaze u rupama za zidno montiranje TV-a, preporučujemo korišćenje dužih šrafova i razmaknica uključenih u dodatno pakovanje. Molimo postavite razmaknice u rupe za montiranje TV-a na zidu, koje se nalaze na poleđini TV-a, zatim stavite zidne nosače u njih. Prikazite držače i razmaknice na TV koristeći duže šrafove kao što je ispod prikazano:



1. TV
2. RAZMAKNICA
3. ŠRAF

**NAPOMENA:** TV i tip zidnog nosača prikazanih na dijagramu su samo zarad ilustracije.

## Pokretanje - početno podešavanje

1. Koristeći RF kabl, povežite TV aparat na zidni utičnik TV antene.
2. Za povezivanje na internet sa žičnom vezom povežite Cat 5/eternet kabl (nije uključen) sa TV-a na vašu vezu širokopropusnog modema/rutera.

3. Povežite kabl za napajanje na pozadinu TV aparata, a zatim ga povežite na električni izlaz.
4. Ubacite dostavljene baterije u daljinski upravljač.
5. Zatim pritisnite dugme Pripravnost da biste uključili televizor.
6. Sada ćete biti pozdravljeni sa ekranom **Prva instalacija**. Ako se ne pojavi, molimo vas da na daljinskom upravljaču pritisnete [MENU] zatim 8-8-8-8 i meni će se pojaviti. Ako želite da promenite bilo šta od podrazumevanih podešavanja, koristite dugmad ▲/▼/◀/▶ za pomeranje. Da biste izašli iz ovog menija u bilo kom trenutku, pritisnite dugme [EXIT].
7. Molimo vas da postavite željena podešavanja na ekranu **PRVA INSTALACIJA**.
  - KORAK 1** - Podesite jezik TV menija.
  - KORAK 2** - Podesite svoju zemlju.
  - KORAK 3** - Podesite vrstu povezivanja sa mrežom. Ako želite da preskočite ovaj korak i kasnije povežete TV na mrežu, molimo vas da izaberete Preskoči podešavanja mreže
  - KORAK 4** - Izaberite lokaciju TV-a. Za korišćenje kod kuće, molimo vas da izaberete Kuća. Za režim prikazivanja u prodavnici, podesite Prodavnica.
  - KORAK 5** - Izaberite da li vaš TV ima stalak ili je montiran na zid. TV će podesiti optimalna audio podešavanja za izabranu opciju.
  - KORAK 6** - Izaberite izvor izlaza koji želite da koristite. Ako ste RF kabl povezali direktno na TV, birajte DTV. Ako vam je satelit direktno povezan na TV, birajte DVB-S\*. U slučaju da koristite kutiju za podešavanje, molimo vas da izaberete ulaz TV-a na koji je povezan.
8. Ako ste u poslednjem koraku izabrali DTV ili DVB-S2, bićete upitani da li želite da podesite kanale. Ako izaberete „Ne“, možete kasnije da podesite kanale sa menija PODEŠAVANJA/KANAL. Ako izaberete „Da“, meni podešavanja će se pojaviti.

**Digitalno TV (DTV) podešavanje:** U DVB anteni, molimo vas da izaberete koji tip signala imate. Zemljani (DVB-T) ili kablovski (DVB-C). Zatim unesite Automatsko biranje i podesite željena podešavanja. Ponovo izaberite Automatsko biranje da započnete sa podešavanjem kanala.

**Satelitsko (DVB-S2) podešavanje:** Unesite Automatsko biranje i unesite Satelit. Ovde možete da izaberete različite satelite. Izaberite satelit koji želite da podesite prisključujući OK dugme na daljinskom upravljaču. Zatim se vratite na prethodni meni prisključujući dugme BACK (NAZAD) na daljinskom upravljaču i birajte Automatsko biranje da biste započeli sa podešavanjem kanala.

**NAPOMENA:** Da bi se smanjilo vreme podešavanja satelitskih kanala, neke zemlje imaju unapred instaliran spisak kanala za najpopularnije satelite u toj regiji. Ako je ovo slučaj sa vašom izabranom zemljom, bićete upitani da li želite da učitate unapred podešen spisak kanala. Ako izaberete „Da“, spisak satelitskih kanala će se uvesti na vaš TV u roku od nekoliko sekundi.

**SAVET:** Ako vam nedostaju kanali, razlog za ovo je verovatno jačina signala, treba da razmislite o povezivanju pojačivača signala i ponovnom naštimavanju televizora.

## Daljinski upravljač

1. **⏻ STANDBY** – Uključite televizor kada ste u pripravnosti ili obrnuto.
2. **🔇 MUTE** – Smanjite zvuk ili obrnuto.
3. **0 – 9** – da biste direktno izabrali televizijski kanal.
4. **TV GUIDE** – Otvara televizijski vodič za 7 dana (Digitalni režim).
5. **↺** – Da bi se vratilo na prethodno pregledani kanal.
6. **PICTURE** – Prolazi kroz opcije režima slike.
7. **VOL ▲/▼** – Da poveća / smanji nivo zvuka.
8. **CH ▲/▼** – Da poveća ili smanji kanal koji se gleda.
9. **SOUND** – Prolazi kroz opcije režima zvuka.
10. **SOURCE** – Za prikaz ulaza/izvora menija.
11. **MENU** – Za prikaz OSD menija.
12. **EXIT** – Za izlaz iz svih menija.
13. **(▲/▼/◀/▶/OK)** – Dopušta vam da upravljate menijima na ekranu i



da prilagodite podešavanja sistema po svom nahođenju.

14. **BACK** – Nazad na prethodni meni.
15. **FAV** – Da prikaže meni omiljenog.
16. **INFO** – Pritisnite jednom za sadašnje/sledeće informacije kanala. Pritisnite dvaput za programske informacije o trenutnom programu.
17. **TEXT** – Režim teleteksta - Da biste ušli u teletekst.
18. **SUBTITLE** – Da biste prebacili dijalog sa dna ekrana (uključeno/isključeno).
19. **TV** – Prebiste na digitalni televizijski izvor.
20. **YouTube** – Prikazuje YouTube aplikaciju.
21. **NETFLIX** – Prikazuje NETFLIX aplikaciju.
22. **NET+** – Prikazuje AQUOS NET+ meni.
23. **Rec1** – PVR snimanje.
24. **⏮** – Za ponovno pokretanje trenutnog poglavlja.
25. **⏭** – Za pokretanje unapred na sledeće poglavlje.
26. **■** – Za zaustavljanje reprodukcije.
27. **Rec List1** – Otvara listu snimanja.
28. **⏪** – Za reprodukciju u režimu brzog premotavanja unazad.
29. **⏩** – Za reprodukciju u režimu brzog premotavanja unapred.
30. **⏸** – Za reprodukciju/pauzu.
31. **DUGMAD ZA BOJU** – Dodatni teletekst i OSD funkcije.

*\* - dostupno samo sa PVR funkcijom*

## Dugmad\* za televizor

**VOL+** Pojačana jačina i desni meni

**VOL-** Smanjena jačina i levi meni

**CH+** Program/kanal gore i meni gore

**CH-** Program/kanal dole i meni dole

**MENU** Prikazuje meni/OSD

**SOURCE** Prikazuje ulaz izvora menija

**STANDBY** Pripravnost napajanja je uključena/isključena

*\* - sa TV-ima sa dugmadima*

## Štap\* za kontrolu TV-a

Štap za kontrolu TV-a se nalazi u donjem levom uglu zadnje strane TV-a. Možete da ga koristite umesto daljinskog upravljača da biste kontrolisali većinu funkcija vašeg TV-a.

### Dok je TV u režimu pripravnosti:

- kratko pritiskanje štapa za kontrolu - Uključivanje

### Dok gledate TV:

- DESNO/LEVO - povećana jačina/smanjena jačina
- GORE/DOLE - menja kanale na gore/dole
- kratko pritiskanje - Prikazuje meni
- dugo pritiskanje - Pripravnost napajanja O

### Dok ste u meniju:

- DESNO/LEVO/GORE/DOLE - navigacija kursora na menjijima na ekranu
- kratko pritiskanje - OK/Potvrdi izabrane stavke
- dugo pritiskanje - Vraćanje u prethodni meni

*\* - za TV sa kontrolnom ručkom*

## Biranje ulaza/izvora režima

Za prebacivanje između različitih ulaza/povezivanja.

### a) Korišćenje dugmadi na daljinskom upravljaču:

1. Pritisnite [SOURCE/□] - Meni izvora će se pojaviti.
2. Pritisnite [◀] ili [▶] da biste izabrali ulaz koji vam je potreban.
3. Pritisnite [OK].

### b1) Korišćenje dugmadi\* na televizoru:

1. Pritisnite [SOURCE].

2. Povucite gore / dole koristeći dugmad VOL+/VOL- za ulaz/izvor koji vam je potreban.
3. Pritisnite [SOURCE] da biste promenili ulaz/izvor onoga kojeg ste izabrali.


### b2) Korišćenje štapa\* za kontrolu TV-a:

1. Kratko pritisnite štap za kontrolu da biste ušli u meni.
2. Pritisnite štap za kontrolu na dole i pomerajte kursor na meni IZVORI.
3. Kratko pritisnite štap za kontrolu da biste ušli u meni IZVORI.
4. sa štapićem za kontrolu izaberite ulaz/izvor koji vam je neophodan.
5. Kada kratko pritisnete štap za kontrolu, promenite ulaz/izvor na onaj koji je izabran.

*\* - opciono*

## Povezivanje


Molimo vas da pogledate tabelu za tipove povezivanja za različite modele dostupne na strani 96.

 **USB**  
USB 2.0-ulaz 1, 2; USB 3.0-ulaz 3

 **HDMI 1, 2 (ARC), 3 ulaz**  
HDMI2.0-ulaz 1, 2, 3


 **SD čitač kartice**  
SD kartica ulaz

 **R/L - video i YPbPr ulaz zvuka**  
Komponenta / Ulaz video zvuka


 **Video (CVBS)**  
VIDEO ulaz


 **Component/YPbPr**  
Komponenta HD ulaz

 **SCART**  
SCART-ulaz

 **CI kartica UNUTRA**  
CI ulaz


 **RF Unutra**  
RF / Ulaz televizijske antene

 **Sat Ulaz**  
Satelitski ulaz

 **Izlaz digitalnog optičkog zvuka**  
Digitalni optički izlaz

 **RJ 45**  
Ethernet

 **SLUŠALICE**  
3,5 mm izlaz slušalica

 **D-link**  
samo ulaz usluge

## Navigacija menija televizora

Da biste pristupili ovom meniju, pritisnite dugme [MENU] na daljinskom upravljaču. Da biste ušli u meni pritisnite [OK]. Ako želite da napravite promene na bilo koja podrazumevana podešavanja, koristite dugmad (▲/▼/◀/▶) za prevlačenje. Da biste potvrdili bilo koja podešavanja pritisnite dugme [OK]. Da biste izašli iz ovog menija u bilo kom trenutku, pritisnite dugme [EXIT].







- Snimanje jednim dugmetom, ako odlučite da želite da snimate trenutni program.
  - Lako programirano snimanje sa vodičem televizora za 7 dana
- Usled prirode ovog proizvoda, neophodno je koristiti USB memoriju velike brzine (jer televizor čita i upisuje memoriju u isto vreme, neki USB uređaji možda neće odgovarati).

Minimalne specifikacije - USB memorija

- **Brzina čitanja** - 20 Mb/s (mega bajta po sekundi)
- **Brzina upisivanja** - 6 Mb/s (mega bajta po sekundi)

### **Pauzirajte televiziju uživo (promena vremena)\***

Pauziranje televizije uživo je jako jednostavno.

- Pritisnite dugme reprodukcija/pauza i televizor će pauzirati a sadržaj uživo će se snimiti. Da biste nastavili gledanje pritisnite ponovo reprodukciju/pauzu.
- Pritisnite premotavanje unapred da biste otišli unapred u snimanju (npr. da biste preskočili reklame).
- Pritisnite brzo premotavanje unazad da biste se vratili na snimanje (npr. ako ste prebrzo premotali unapred).

**SAVET:** Kada prebacite televizor na pripravnost ili promenite kanal, memorija Promene vremena će se obrisati. Da biste ponovo pokrenuli promenu vremena morate da pritisnete dugme reprodukcija/pauza.

### **Snimanje jednim dugmetom**

U bilo kom trenutnu možete da odlučite da snimate trenutni kanal koji gledate. Da biste ovo uradili treba da pritisnete dugme [SNIM].

**SAVET:** Ovaj televizor sadrži jedan televizijski štimer, zato može da snimi samo kanal koji gledate ili da snimi jedan kanal dok je televizor u režimu pripravnosti.

**NAPOMENA:** Funkcija USB snimanja je dostupna samo u režimu Digitalnog televizora. Usled zakona o autorskim pravima i ilegalnog kopiranja/ snimanja, nije moguće snimiti na/sa bilo kojih drugih izvora ulaza/izlaza.

\* - samo za uređaje sa ugrađenom PVR funkcijom

## **HDR (Visok dinamički opseg)**

HDR video uklanja neka ograničenja standardnog video signala i prikazuje sliku izgrađenu od širog spektra boje i svetline.

### **NAPOMENE:**

- HDR funkcija će se automatski aktivirati ako se HDR signal otkrije, uz uslov da je HDMI EDID podešen na „Povećanje“ u meniju 'POSTAVKE'.
- Ovaj televizor može da prikaže HDR sadržaj putem HDMI ili USB ulaza.
- Ako se povezujete putem jednog od ovih HDMI ulaza, eksterni uređaj takođe mora da podržava HDR, HDMI2.0 i da reprodukuje HDR master sadržaj.
- Ovaj uređaj ne podržava HDR sadržaj od ugrađenih aplikacija kao što su Netflix ili YouTube.

## **Detalji proizvoda**

Zaštitni znak	
Model	LC-50U1722E LC-50U17322E LC-50U17422E
Klasa efikasnosti energije	A+
Vidljiva veličina ekrana (dijagonalna)	50" / 127cm
Potrošnja napajanja u režimu	70,0 W
Godišnja potrošnja energije*	102 kWh
Potrošnja napajanja u pripravnosti**	<0,50 W
Potrošnja napajanja u isključenom režimu	N/A
Rezolucija ekrana	3840 (H) x 2160 (V)

\* - **Potrošnja energije XYZ kWh godišnje, bazirano na potrošnji napajanja televizora koji radi 4 sata dnevno 365 dana u godini. Prava potrošnja energije će zavisiti od toga kako se televizor koristi.**

\*\* - **kada je televizor isključen sa daljinskim upravljačem i nijedna funkcija nije aktivna**



energije, internetna povezava ali nepravilna nastavitve naprave.

Universal Media Corporation, njegovi direktorji, vodje, zaposleni, agenti, pogodbeniki in podružnice niso odgovorne vam ali tretjim osebam v zvezi s tovrstnimi napakami ali prekinitvami zaradi vzdrževanja, ne glede na razlog in dejstvo, da bi se bilo temu mogoče izogniti.

- Vsa tretjosebna vsebina ali storitve, dostopne prek te naprave, vam je ponujena na osnovi "kot je" in "kot na voljo" in družba Universal Media Corporation in podružnice ne jamčijo ali kakor koli predstavljajo, bodisi izrecno ali nakazano, vključujoč brez omejitev vsa jamstva trgovstva, nekršitev, jamstva primernosti za določen namen ali jamstvo ustreznosti, dostopnosti, natančnosti, popolnosti, varnosti, naslova, uporabnosti, zapostavljanja ali brezhibnega ali neprekinjenega delovanja ali uporabe ponujenih storitev ali vsebin, oziroma da bodo storitve ali vsebine zadovoljile vašo pričakovanja ali zahteve.
- Družba "Universal Media Corporation" ni njihov agent in ne prevzema odgovornosti niti za dejanja ali izpustitve tretjosebnih vsebin ali storitev ponudnikov niti za vsakršne oblike vsebin ali storitev v zvezi s tovrstnimi tretjosebnimi ponudniki.
- V nobenem primeru družba "Universal Media Corporation" in/ali podružnice ne bodo odgovorne vam ali tretjim osebam za vsako neposredno, posredno, posebno, naključno, kazensko, posledično ali drugo vrsto škode, če odgovornost temelji na pogodbi, sporu, malomarnosti, razveljavljivi jamstva, strogi odgovornosti ali na drugem in če je bila družba Universal Media Corporation in/ali podružnice obveščena o možnosti tovrstne škode ali ne.

## Pomembne informacije glede uporabe video iger, računalnikov, podnapisov in drugih nespremenljivih slikovnih zaslonih.

- Podaljšana uporaba nespremenljivega slikovnega programskega materiala lahko na LCD zaslonu pušči "zasenčeno sliko" (pogosto nepravilno imenovana tudi "vžgana slika"). Ta zasenčena slika je nato stalno vidna na ozadju zaslona. Tega se ne da odpraviti. Lahko pa se škodi izognete, tako da sledite spodnjim navodilom:
- Zmanjšajte nastavitve svetlosti/kontrasta na najmanjšo raven gledanja.
- Ne prikazujte nespremenljive slike daljše časovno obdobje. Ne prikazujte:
  - » časa teleteksta in tabel,
  - » menija televizorja/DVD-ja, npr. DVD vsebin,
  - » v načinu "prekinitve" (hold): Tega načina ne uporabljajte dlje časa, npr. med gledanjem DVD-ja ali videa.
  - » Če naprave ne uporabljate, jo izključite

## Baterije

- Pri vstavljanju baterij pazite na pravilno polariteto.
- Baterij ne izpostavljajte visokim temperaturam in ne postavljajte jih na mesta, kjer se temperatura lahko hitro dvigne, npr. blizu ognja ali na neposredni sončni svetlobi.
- Baterij ne izpostavljajte prekomerni vročini, ne mečite v ogenj, ne razstavljajte in ne poskušajte polniti baterij, ki niso namenjene ponovnemu polnjenju. Lahko začnejo puščati ali eksplodirajo.
  - » Nikoli ne uporabljajte skupaj različnih baterij in ne mešajte novih in starih.
  - » Baterije odložite v skladu z okoljevarstvenimi predpisi.
  - » Večina držav EU ima zakonsko urejeno odlaganje baterij.



Cd

## Odlaganje

- Ta televizor ne smete odložiti med nerazvrščene lokalne odpadke. Vrnite ga v namenske centre za recikliranje odpadnih elektronskih naprav in elektronske opreme. Tako boste pripomogli k ohranjanju virov in zaščiti okolja. Za več informacij stopite v stik s prodajalcem ali lokalnimi oblastmi.



## Izjava CE:

- Družba UMC Poland Sp. z o.o. izjavlja, da je ta LED TV skladen z osnovnimi zahtevami in drugimi relevantnimi določili direktive RED 2014/53/EU. Celotno besedilo izjave o skladnosti EU je na voljo na povezavi: <https://www.sharpconsumer.eu/documents-of-conformity/>.

## Blagovne znamke

- Izrazi HDMI in High-Definition Multimedia Interface in logotip HDMI so blagovne znamke ali zaščitene blagovne znamke družbe HDMI Licensing LLC v ZDA in drugih državah.
- Logotip "DIGITALEUROPE UHD Display" je blagovna znamka družbe DIGITALEUROPE.
- Logotip DVB je blagovna znamka projekta Digital Video Broadcasting - DVB.
- Izdelano po licenci podjetja Dolby Laboratories. Dolby, Dolby Audio in simbol dvojnega D sta blagovni znamki podjetja Dolby Laboratories.
- Za patente DTS glejte <http://patents.dts.com>. Izdelano z licenco DTS Licensing Limited. DTS, simbol, & DTS in skupaj s simbolom so registrirane blagovne znamke. DTS Studio Sound je blagovna znamka družbe DTS, Inc. © DTS, Inc. Vse pravice pridržane.
- YouTube in logotip YouTube sta blagovni znamki družbe Google Inc.
- Logotip Wi-Fi CERTIFIED je certificirana oznaka Wi-Fi Alliance.
- Wi-Fi CERTIFIED Miracast in Miracast sta blagovni znamki Wi-Fi Alliance.
- DLNA, logotip DLNA in DLNA CERTIFIED so blagovne znamke, servisne oznake ali certificirane oznake Digital Living Network Alliance.
- Harman International je blagovna znamka družbe HARMAN International Industries Incorporated, ki je registrirana v ZDA in /ali v drugih državah.

## Kaj je priloženo

### Dobava tega televizorja vključuje sledeče:

- |  |   |
|--|---|
| • 1x televizor   | • 1x nameštivni paket stojala televizorja |
| • 1x daljinski upravljalnik  | • 1x uporabniški priročnik                |
| • 2x AAA bateriji  |   |
| • 1x komplet za stensko montažo (4x vijak M6x35 in 4x plastični vmesnik) |   |

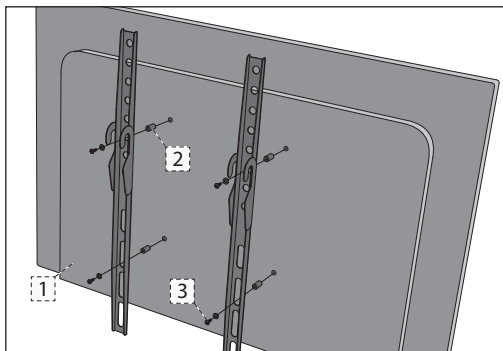
## Namestitev stojala

Sledite navodilom na zadnji strani tega uporabniškega priročnika.

### Stenska montaža televizorja

1. Odstranite štiri vijake, ki so priloženi v odprtinah za stensko montažo.
2. Sedaj lahko okvir za montažo enostavno namestite v odprtine za montažo na zadnji strani televizorja.
3. Montažno okovje na televizor namestite v skladu s priporočili proizvajalca okovja.

Ko nameščate nosilce za stensko montažo na 50" model, namesto priloženih vijakov v odprtine za stensko montažo priporočamo uporabo daljših vijakov in vmesnikov, ki so vključeni v paket s pripomočki. Vmesnike vstavite v odprtine za stensko montažo, ki je na zadnji strani televizorja, nato nanje postavite stenske nosilce. Pritrдите nosilce in vmesnike na televizor z daljšimi vijaki, kot je prikazano spodaj:



1. **TELEVIZOR**
2. **PRESLEDEK**
3. **VIJAK**

**OPOMBA:** TV in vrsta stenskega nosilca, prikazana v diagramu, služi samo kot prikaz.

## Začetek - začetna namestitev

1. Z RF-kablom povežite televizor s stensko vtičnico antene.
2. Za povezavo z internetom prek žične povezave povežite kabel Cat 5/Ethernet (ni priložen) s televizorja v vaš širokopasovni modem/ usmerjevalnik.
3. Priključite napajalni kabel v zadnjo stran televizorja in ga nato povežite z električno vtičnico.

4. Vstavite priložene baterije v daljinski upravljalnik.
5. Nato pritisnite gumb stanja pripravljenosti za vklop televizorja.
6. Sedaj vas bo pozdravil zaslon **Prva nastavitve**. Če se ne pojavi na daljinskem upravljalniku, pritisnite [MENI], nato 8-8-8 in meni se bo pojavil. Če želite spremeniti katero od privzetih nastavitve, uporabite smerne gumbе ▲/▼/◀/▶. Za izhod iz tega menija pritisnite gumb [EXIT].
7. **Prosimo, da nastavite zelene nastavitve na zaslonu PRVA NASTAVITVE.**
  1. **KORAK** - nastavitev jezika menija televizorja.
  2. **KORAK** - nastavitev vaše države.
  3. **KORAK** - nastavitev vrste omrežne povezave. Če želite preskočiti ta korak in kasneje povezati TV z omrežjem, izberite Preskoči omrežno nastavitve.
  4. **KORAK** - izberite lokacijo televizorja. Za domačo uporabo izberite Domači način. Za predstavitevno uporabo v trgovinah nastavite Način prodajalne.
  5. **KORAK** - izberite, če ima televizor stojalo, ali pa je nameščen na steno. Televizor bo nastavil optimalne zvočne nastavitve za izbrano možnost.
  6. **KORAK** - izberite vhodni vir, ki ga želite uporabljati. Če ste povezali RF-kabel neposredno na televizor, izberite DTV. Če ste s televizorjem vzpostavili neposredno satelitsko povezavo, izberite DVB-S\*. Če uporabljate dodatno napravo, izberite pravičen TV-vhod, s katerim je povezan.
8. Če ste v zadnjem koraku izbrali DTV ali DVB-S2, boste lahko izbrali nastavljanje kanalov. Če izberete "Ne", lahko kanale nastavljate tudi kasneje v meniju NASTAVITVE/KANAL. Če izberete "Da", se bo pojavil meni za nastavljanje kanalov.

**Digitalno nastavljanje televizorja (DTV):** V meniju DVB Antena (antena DVB) izberite vrsto signala. Zemeljski (DVB-T) ali kabelski (DVB-C). Nato vnesite Samodejno nastavljanje in nastavite zelene nastavitve. Znova izberite Samodejno nastavljanje za začetek nastavljanja kanalov.

**Satelitsko (DVB-S2) nastavljanje:** Vnesite Samodejno nastavljanje in vnesite Satellite. Tu lahko izbirate med različnimi sateliti. Izberite satelit za nastavljanje, tako da pritisnete gumb OK na daljinskem upravljalniku. Nato se vrnite v prejšnji meni s pritiskom gumba BACK (NAZAJ) na daljinskem upravljalniku in izberite Samodejno nastavljanje za začetek nastavljanja kanalov.

**OPOMBA:** Če želite skrajšati čas nastavljanja satelitskih kanalov, lahko uporabite prednameščen seznam kanalov, ki je na voljo v nekaterih državah, za najpopularnejše satelite v tej regiji. Če to drži za državo, ki ste jo izbrali, boste v nadaljevanju lahko naložili prednameščen seznam kanalov. Če izberete "Da", bo satelitski seznam kanalov v nekaj sekundah uvožen v vaš televizor.

**NASVET:** Če nekatere kanale pogrešate, je najverjetneje razlog v slabem signalu. Premislite o priključu ojačevalca signala in ponovne nastavitve kanalov televizorja.

## Daljinski upravljalnik

1. **STANDBY** – vklopite televizor, kadar je v stanju pripravljenosti ali obratno.
2. **MUTE** – izklopite zvok ali obratno.
3. **0-9** – za neposreden izbor TV-kanala.
4. **TV GUIDE** – odpre 7-dnevni televizijski vodič (digitalni način).
5. **↺** – vrnitev na kanal, ki ste ga gledali prej.
6. **PICTURE** – pomikanje po možnostih načina slike.
7. **VOL ▲/▼** – povišanje/znižanje ravni glasnosti.
8. **CH ▲/▼** – pomik naprej/nazaj po kanalih, ki jih gledate.
9. **SOUND** – pomikanje po možnostih načina zvoka.
10. **SOURCE** – prikaz menija vhod/vir.
11. **MENU** – prikaz zaslonskega menija.
12. **EXIT** – izhod iz vseh menijev.
13. **(▲/▼/◀/▶/OK)** – omogoča pomikanje po zaslonskih menijih in











## HDR (Visoki dinamični razpon)

HDR video odstrani nekatere omejitve standardnega videesignala in prikazuje sliko, narejeno iz širšega spektra barv in svetlobe.

### OPOMBE:

- Funkcija HDR se aktivira samodejno, če je zaznan signal HDR, če je bil v meniju »NASTAVITVE« HDMI EDID nastavljen na »Izboljšanje«.
- Televizor lahko prikazuje vsebino HDR prek vhodov HDMI ali USB.
- Pri povezavi prek vrat HDMI mora zunanja naprava podpirati tudi HDR, HDMI 2.0 in predvajati vsebino, obdelano v HDR.
- Naprava ne podpira vsebine HDR iz vgrajenih aplikacij, kot sta Netflix ali YouTube.

## Podatkovna kartica

Blagovna znamka	
Model	LC-50U17222E LC-50U17322E LC-50U17422E
Razred energetske učinkovitosti	A+
Vidna velikost ekrana (diagonala)	50" / 127cm
Poraba energije vključene naprave	70,0 W
Letna poraba energije*	102 kWh
Poraba energije v načinu pripravljenosti**	<0,50 W
Poraba energije v izkl. stanju	N/A
Ločljivost zaslona	3840 (H) x 2160 (V)

\* - Poraba energije XYZ kWh na leto, temelji na porabi energije televizorja, ki 365 dni deluje 4 ure dnevno. Dejanska poraba energije je odvisna od načina uporabe televizorja.

\*\* - ko televizor ni vključen z daljinskim upravljalnikom in nobena funkcija ni aktivna





## Εμπορικά σήματα

- Οι όροι HDMI και HDMI High-Definition Multimedia Interface και το λογότυπο HDMI είναι εμπορικά σήματα ή σήματα κατατεθέντα της HDMI Licensing, LLC στις Ηνωμένες Πολιτείες και σε άλλες χώρες.
- Το λογότυπο "DIGITALEUROPE UHD Display" είναι σήμα κατατεθέν της DIGITALEUROPE.
- Το λογότυπο DVB είναι το σήμα κατατεθέν του εγχειρήματος Εκπομπής Ψηφιακού Βίντεο (Digital Video Broadcasting - DVB).
- Δημιουργήθηκε με άδεια από την Dolby Laboratories. Το Dolby, Dolby Audio και το σύμβολο διπλού D αποτελούν εμπορικά σήματα της Dolby Laboratories.
- Για ευρεσιτεχνίες σχετικές με το DTS, ανατρέξτε στην ιστοσελίδα <http://patents.dts.com>. Κατασκευάζεται κατόπιν άδειας από την DTS Licensing Limited. Το DTS, το Σύμβολο, & το DTS και το Σύμβολο μαζί αποτελούν εμπορικά σήματα κατατεθέντα. DTS Studio Sound είναι εμπορικό σήμα της DTS, Inc. © DTS, Inc. Με την επιφύλαξη όλων των δικαιωμάτων.
- Το YouTube και το λογότυπο YouTube είναι εμπορικά σήματα της Google Inc
- Το λογότυπο Wi-Fi CERTIFIED αποτελεί σήμα πιστοποίησης της Wi-Fi Alliance.
- Τα Wi-Fi CERTIFIED Miracast και Miracast είναι εμπορικά σήματα της Wi-Fi Alliance.
- Το DLNA, το λογότυπο DLNA και το DLNA CERTIFIED είναι εμπορικά σήματα, σήματα υπηρεσιών και σήματα πιστοποίησης της Digital Living Network Alliance.
- Το Harman Kardon είναι εμπορικό σήμα της HARMAN International Industries, Incorporated, κατατεθέν στις Ηνωμένες Πολιτείες και/ή σε άλλες χώρες.



## Τι περιλαμβάνεται στο κουτί

### Η προμήθεια αυτής της τηλεόρασης περιλαμβάνει τα ακόλουθα τμήματα:

- 1x Τηλεόραση
- 1x Πακέτο εγκατάστασης βάσης τηλεόρασης
- 1x Τηλεχειριστήριο
- 2x Μπαταρίες AAA
- 1x σετ επίτοιχης στήριξης (4x βίδα M6x35 και 4x πλαστικός αποστάτης)
- 1x Εγχειρίδιο χρήστη

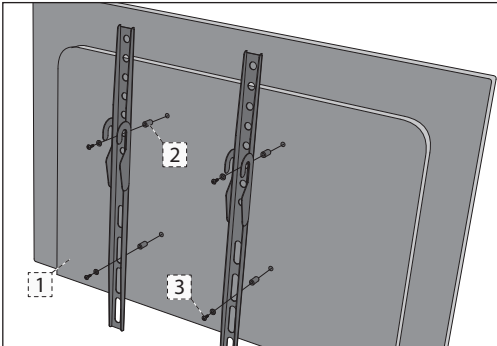
## Σύνδεση της βάσης

Ακολουθήστε τις οδηγίες στην τελευταία σελίδα αυτού του εγχειριδίου χρήστη.

## Στερέωση της τηλεόρασης στον τοίχο

1. Αφαιρέστε τις τέσσερις βίδες που παρέχονται από τις οπές στερέωσης τοίχου.
2. Το στήριγμα τοίχου μπορεί πλέον να συνδεθεί εύκολα στις οπές στερέωσης τοίχου στην πλάτη της τηλεόρασης.
3. Εγκαταστήστε τον βραχίονα στήριξης τοίχου στην τηλεόραση σύμφωνα με τις οδηγίες του κατασκευαστή του βραχίονα.

Κατά τη στερέωση των βραχιόνων επίτοιχης στήριξης στο μοντέλο 50", αντί για τις βίδες που παρέχονται στις οπές επίτοιχης στερέωσης της τηλεόρασης, προτείνεται να χρησιμοποιήσετε τις μακρύτερες βίδες και αποστάτες που περιλαμβάνονται στο πακέτο αξεσουάρ. Τοποθετήστε τους αποστάτες μέσα στις οπές επίτοιχης στήριξης της τηλεόρασης, που βρίσκονται στην πλάτη της τηλεόρασης και, στη συνέχεια, τοποθετήστε πάνω τους τους βραχίονες. Συνδέστε τους βραχίονες και τους αποστάτες στην τηλεόραση χρησιμοποιώντας μακρύτερες βίδες, όπως φαίνεται παρακάτω:



1. ΤΗΛΕΟΡΑΣΗ
2. ΑΠΟΣΤΑΤΗΣ
3. ΒΙΔΑ

**ΣΗΜΕΙΩΣΗ:** Ο τύπος τηλεόρασης και επίτοιχου βραχίονα που φαίνεται στο διάγραμμα είναι απλά ενδεικτικοί.

2. Για ενσύρματη σύνδεση στο ίντερνετ, συνδέστε ένα καλώδιο Cat 5/ Ethernet (δεν παρέχεται) από την τηλεόραση στο ευρυζωνικό μόντεμ/ ρούτερ.
3. Συνδέστε το καλώδιο στην υποδοχή που υπάρχει στο πίσω μέρος της τηλεόρασης, και στη συνέχεια συνδέστε στην πρίζα.
4. Τοποθετήστε τις παρεχόμενες μπαταρίες μέσα στο τηλεχειριστήριο.
5. Στη συνέχεια πατήστε το κουμπί Αναμονής για την ενεργοποίηση της τηλεόρασης.
6. Θα δείτε τώρα την υποδοχή με την οθόνη **Πρώτη εγκατάσταση**. Αν δεν εμφανιστεί, στο τηλεχειριστήριο, πατήστε [MENU] και στη συνέχεια 8-8-8 και θα εμφανιστεί το μενού. Αν θέλετε να κάνετε αλλαγές σε οποιαδήποτε από τις προεπιλεγμένες ρυθμίσεις, χρησιμοποιήστε τα κουμπί κίνησης ▲/▼/◀/▶. Για έξοδο από αυτό το μενού σε οποιαδήποτε στιγμή, πατήστε το κουμπί [EXIT].
7. **Ορίστε τις επιθυμητές ρυθμίσεις στην οθόνη ΠΡΩΤΗ ΕΓΚΑΤΑΣΤΑΣΗ.**
  - ΒΗΜΑ 1** - Ορίστε τη γλώσσα για το Μενού της τηλεόρασης.
  - ΒΗΜΑ 2** - Ορίστε τη χώρα σας.
  - ΒΗΜΑ 3** - Ορίστε τύπο σύνδεσης δικτύου. Αν επιθυμείτε να παραλείψετε αυτό το βήμα και να συνδέσετε την τηλεόραση σε δίκτυο αργότερα, επιλέξτε Παράλειψη ρύθμισης δικτύου
  - ΒΗΜΑ 4** - Επιλέξτε την τοποθεσία της τηλεόρασης. Για οικιακή χρήση, επιλέξτε Οικία. Για λειτουργία επίδειξης σε κατάστημα, επιλέξτε Κατάστημα.
  - ΒΗΜΑ 5** - Επιλέξτε αν η τηλεόραση έχει βάση, ή αν είναι στερεωμένη στον τοίχο. Η τηλεόραση θα ορίσει τις βέλτιστες ρυθμίσεις ήχου για την καθορισμένη επιλογή.
  - ΒΗΜΑ 6** - Επιλέξτε την πηγή εισόδου που επιθυμείτε να χρησιμοποιήσετε. Αν έχετε συνδέσει καλώδιο RF (κεραία) απευθείας στην τηλεόραση, επιλέξτε DTV. Αν έχετε συνδέσει απευθείας δορυφορικό δέκτη στην τηλεόραση, επιλέξτε DVB-S\*. Σε περίπτωση που χρησιμοποιείτε εξωτερικό αποκωδικοποιητή, επιλέξτε τη σωστή είσοδο με την οποία έχει συνδεθεί στην τηλεόραση.
8. Αν στο τελευταίο βήμα επιλέξατε DTV ή DVB-S2, θα ερωτηθείτε αν επιθυμείτε τον συντονισμό καναλιών. Αν επιλέξετε "Όχι", μπορείτε να πραγματοποιήσετε αργότερα τον συντονισμό των καναλιών από το μενού ΡΥΘΜΙΣΕΙΣ/ΚΑΝΑΛΙ. Αν επιλέξετε "Ναι", εμφανίζεται το μενού συντονισμού.

**Συντονισμός ψηφιακής τηλεόρασης (DTV):** Στη ρύθμιση Κεραία DVB, επιλέξτε τον τύπο του σήματος που διατίθεται. Επίγειο (DVB-T) ή Καλωδιακό (DVB-C). Στη συνέχεια μεταβείτε στην επιλογή Αυτόματος Συντονισμός και ορίστε τις επιθυμητές ρυθμίσεις. Επιλέξτε και πάλι Αυτόματος συντονισμός για έναρξη του συντονισμού καναλιών.  
**Δορυφορικός συντονισμός (DVB-S2):** Μεταβείτε στην επιλογή Αυτόματος συντονισμός και επιλέξτε Δορυφορικός. Εδώ μπορείτε να επιλέξετε μεταξύ των διάφορων δορυφόρων. Επιλέξτε τον δορυφόρο που επιθυμείτε να συντονίσετε πατώντας το κουμπί OK στο τηλεχειριστήριο. Στη συνέχεια, επιστρέψτε στο προηγούμενο μενού πατώντας το κουμπί BACK στο τηλεχειριστήριο και επιλέξτε Αυτόματος συντονισμός για έναρξη του συντονισμού καναλιών.

**ΣΗΜΕΙΩΣΗ:** Για συντόμηση του χρόνου συντονισμού ή δορυφορικά κανάλια, ορισμένες χώρες έχουν προεγκαταστήσει έναν κατάλογο καναλιών για τους πιο δημοφιλείς δορυφόρους στη συγκεκριμένη περιοχή. Αν αυτό ισχύει για την χώρα που επιλέξατε, θα ερωτηθείτε αν επιθυμείτε τη φόρτωση του προεγκαταστημένου καταλόγου. Αν επιλέξετε "Ναι", θα πραγματοποιηθεί εισαγωγή του καταλόγου δορυφορικών καναλιών στην τηλεόραση μέσα σε λίγα δευτερόλεπτα.  
**ΣΥΜΒΟΥΛΗ:** Αν λείπουν κανάλια, αυτό οφείλεται πιθανώς στην ισχύ του σήματος. Θα πρέπει να σκεφτείτε να συνδέσετε ενισχυτή σήματος και να πραγματοποιήσετε εκ νέου συντονισμό της τηλεόρασης.

## Ξεκινώντας - αρχικό στήσιμο

1. Συνδέστε το καλώδιο RF της τηλεόρασης στην υποδοχή κεραίας τηλεόρασης στον τοίχο.

## Τηλεχειριστήριο

1. Ψ **ANAMONH** - Ενεργοποιήστε την τηλεόραση όταν βρίσκεται σε κατάσταση αναμονής και αντιστρόφως.
2. **MUTE** - Ακυρώστε τον ήχο ή επαναφέρετέ τον.











## HDR (Υψηλό Δυναμικό Εύρος, High Dynamic Range)

Το βίντεο HDR αφαιρεί μερικούς από τους περιορισμούς του βασικού σήματος βίντεο και παρουσιάζει εικόνες που συντίθενται από ευρύτερη γκάμα χρωμάτων και φωτεινότητας.

### ΣΗΜΕΙΩΣΕΙΣ:

- Η λειτουργία HDR ενεργοποιείται αυτόματα αν ανιχνευθεί σήμα HDR, εφόσον η ρύθμιση HDMI EDID έχει οριστεί στην επιλογή "Προηγμένη" στο μενού 'ΡΥΘΜΙΣΗ'.
- Αυτή η τηλεόραση μπορεί να προβάλει περιεχόμενο HDR μέσω των εισόδων HDMI ή USB.
- Αν πραγματοποιήσετε σύνδεση μέσω μιας από τις θύρες HDMI, η εξωτερική συσκευή επίσης πρέπει να υποστηρίζει HDR, HDMI2.0 και να εκτελεί αναπαραγωγή περιεχομένου με επεξεργασία HDR.
- Αυτή η συσκευή δεν υποστηρίζει περιεχόμενο HDR από ενσωματωμένες εφαρμογές όπως τα Netflix ή YouTube.

## Ταυτότητα προϊόντος

Εμπορικό σήμα	
Μοντέλο	LC-50U17222E LC-50U17322E LC-50U17422E
Κλάση ενεργειακής απόδοσης	A+
Μέγεθος ορατής οθόνης (διαγώνιος)	50" / 127cm
Κατανάλωση ισχύος σε κατάσταση λειτουργίας	70,0 W
Ετήσια κατανάλωση ενέργειας*	102 kWh
Κατανάλωση ισχύος σε κατάσταση αναμονής**	<0,50 W
Κατανάλωση ενέργειας εκτός λειτουργίας	N/A
Ανάλυση οθόνης	3840 (H) x 2160 (V)

\* - Κατανάλωση ενέργειας XYZ kWh ανά έτος, βασισμένη στην κατανάλωση ισχύος τηλεόρασης ου λειτουργεί 4 ώρες την ημέρα για 365 ημέρες. Η πραγματική κατανάλωση ενέργειας εξαρτάται από τον τρόπο χρήσης της τηλεόρασης.




\*\* - όταν η τηλεόραση είναι απενεργοποιημένη με το τηλεχειριστήριο και δεν υπάρχει ενεργή λειτουργία

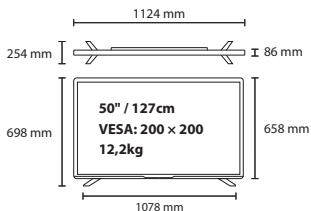
Technical specification | Dane techniczne | Technické údaje | Technické údaje | Műszaki jellemzők |  
 Specificații tehnice | Технически спецификации | Tehničke specifikacije | Tehničke specifikacije | Tehnične  
 specifikacije | Τεχνικές προδιαγραφές

Model	TUNER	HDMI Input	SD Card reader	USB Input	SCART	RF Input - (Analog /Digital)	Sat. Input	CI Card Input	R/L Audio input for Composite/ CVBS & Component YPbPr	Composite/CVBS Video & Component/YPbPr Input	Optical Audio output	3.5 mm headphones output	RJ 45
LC-50UI7222E	T/T2/C/S2	x3	x1	x3	x1	x1	x1	x1	x1	x1	x1	x1	x1
LC-50UI7322E	T/T2/C/S2	x3	x1	x3	x1	x1	x1	x1	x1	x1	x1	x1	x1
LC-50UI7422E	T/T2/C/S2	x3	x1	x3	x1	x1	x1	x1	x1	x1	x1	x1	x1





Model   Model   Model   Model   Modell   Model   Модел   Model   Model   Model   Μοντέλο
LC-50UI7222E LC-50UI7322E LC-50UI7422E
Audio power   Moc dźwięku   Audio výkon   Audio výkon   Hang teljesítmény   Putere audio   Мощност на звуковите честоти   Audio paraanje   Snaga zvuka   Moč zvoka   Ισχύς ήχου
2 x 10W
Voltage   Napięcie   Napájení   Napájanie   Feszültség   Tensiune   Напряжение   Napon   Napon   Napetost   Τάση
AC 220V~240V; 50Hz;
Power consumption   Pobór mocy   Spotřeba energie   Spotreba energie   Teljesítményfelvétel   Consum de energie   Консумация на енергия   Potrošnja energije   Potrošnja napajanja   Poraba električne energije   Κατανάλωση ισχύος
(Ecohome/Standard/Max/Standby/Annum); EEI   (Eco/Standard/Maks/Tryb czuwania/Rocznie); EEI   (Eco/Standard/Max/Standby/Ročné); EEI   (Eco/Standard/Max/Standby/Annum); EEI   (Ecohome/Standard/Max/Készenlét/Éves); EEI   (Ecohome/Standard/Max/Standby/Anual); EEI   (Ecohome/Standard/Max/Standby/Annum); EEI   (eko-dom/standardno/maks./stanje pripravnosti/godišnje); EEI   (Ekodom/Standardni/Maksimalni/Pripravnost/Godišnje); EEI   (Ecohome/Standardno/Najv./Pripravljenost/Letno); EEI   (Ecohome/Βασική/Μέγιστη/Αναμονή/Ετήσια); EEI
70/95/115W/ <0,5W / 102kWh; A+

3840 x 2160

50" / 127cm

300 cd/m <sup>2</sup>

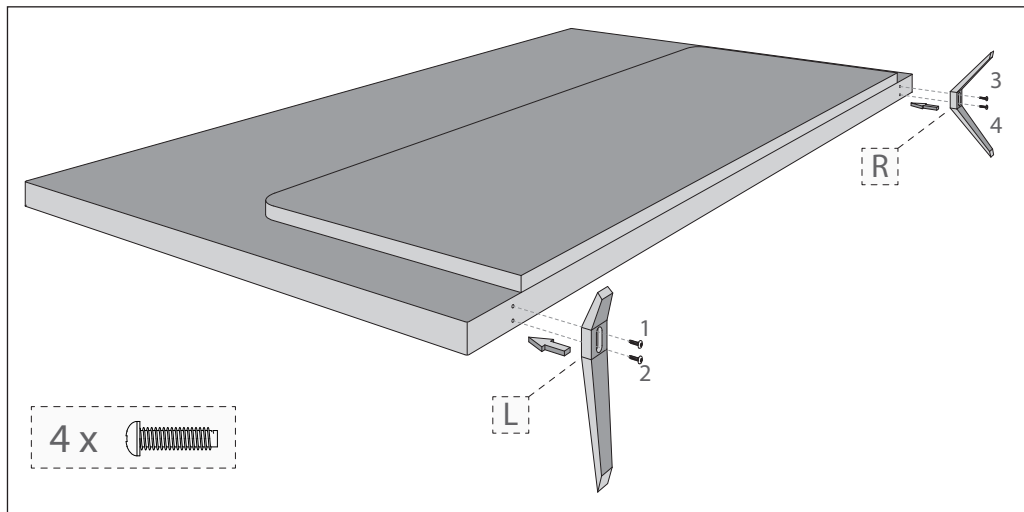


Stand Installation  
Instalacja podstawy  
Instalace stojanu

Instalácia stojanu  
Állvány felszerelése  
Instalare suport

Монтаж на стойката  
Postavljanje stalka  
Instalacije stalka

Namestitev stojala  
Εγκατάσταση βάσης



**English:** To assemble the base stand to the TV you will need a cross head screwdriver. To avoid damage to the TV screen during assembly ensure the TV is placed on a soft flat surface with the LCD screen facing downwards.

**Polski:** Żeby zamocować podstawę telewizora potrzebny jest śrubokręt krzyżowy. Żeby uniknąć uszkodzenia ekranu podczas montażu, ułóż telewizor na miękkiej, płaskiej powierzchni z ekranem LCD skierowanym do dołu.

**Česky:** Pro montáž budete potřebovat křížový šroubovák. Umístěte tělo TV na rovný povrch panelem směrem dolů. Dbejte na to, aby nedošlo k poškození panelu. Prosím, pokračujte dle pokynů v návodu pro bezpečné umístění televizoru!

**Slovensky:** Pre montáž budete potrebovať krížový skrutkovač. Umiestnite telo TV na rovný povrch panelom smerom dole, dbajte na to, aby nedošlo k poškodeniu panelu. Prosím, pokračujte podľa pokynov v návode pre bezpečné umiestnenie televizora!

**Magyar:** Az állvány TV-hez történő rögzítéséhez csillagszavarhúzó szükséges. Szerelés közben helyezze a TV-t az LCD képernyővel lefelé fordítva egy puha sík felületre, nehogy a TV képernyő megsérüljön.

**Romania:** Pentru asamblarea suportului de bază la televizor, veți avea nevoie de o șurubelniță în cruce. Pentru a evita deteriorarea ecranului TV în timpul asamblării, asigurați-vă că așezați televizorul pe o suprafață orizontală moale, cu ecranul LCD orientat în jos.

**Български:** За сглобяването на стойката към телевизора ще Ви бъде нужна кръстатa отвeртka. За да избегнете повреда на екрана на телевизора по време на сглобяването, го поставете върху мека плоска повърхност, като LCD екранът трябва да сочи надолу.

**Hrvatski:** Za pričvršćivanje stalka na TV bit će vam potreban odvijač. Kako ne bi došlo do oštećenja na TV zaslonu tijekom sklapanja, TV postavite na meku ravnu površinu tako da je LD zaslon okrenut prema dolje.

**Srpski:** Da biste montirali osnovni stalak na televizor trebaće vam šrafciğer krstaš. Da biste izbegli štetu nad ekranom televizora u toku montiranja, postarajte se da televizor bude postavljen na mekanu, ravnu površinu sa LCD ekranom okrenutim ka dole.

**Slovensčina:** Za montažo stojala na televizor potrebujete križni izvijač. Da med montažo ne poškodujete zaslon televizorja, televizor postavite na mehko ravno površino in zaslon LCD obrnite navzdol.

**Ελληνικά:** Για τη συναρμολόγηση της βάσης και τη στερέωση της τηλεόρασης θα χρειαστείτε ένα σταυροκατσάβιδο. Για την αποφυγή ζημιάς στην οθόνη της τηλεόρασης κατά τη συναρμολόγησης, βεβαιωθείτε πως η τηλεόραση είναι τοποθετημένη σε μια μαλακή, επίπεδη επιφάνεια με την οθόνη LCD στραμμένη προς τα κάτω.

**Compatible files in USB Mode | Pliki kompatybilne w trybie USB | Kompatibilní soubory v režimu USB | Kompatibilné súbory v USB Móde | Kompatibilis fájlok USB módban | Fişiere compatibile în Modul USB | Съвместими файлове в режим USB | Kompatibilne datoteke u USB načinu rada | Kompatibilne datoteke u USB režimu | Ζδρυζήλιβε datoteke v načinu USB | Συμβατά αρχεία σε λειτουργία USB**

Media	Codec	Resolution	Data Rate	File Ext.
Movie	MPEG1/2	1080Px2@30fps 1080P@60fps	80Mbps	.DAT, .VOB, .MPG, .MPEG, .ts, .trp, .tp, .mp4, .mov, .3gpp, .3gp, .avi, .mkv, .asf
	MPEG4	1080Px2@30fps 1080P@60fps	40Mbps	.MPG, .MPEG, .mp4, .mov, .3gpp, .3gp, .avi
	XviD	1080Px2@30fps 1080P@60fps	40Mbps	.divx, .mp4, .mov, .avi, .mkv, .asf
	H.263	1080Px2@30fps 1080P@60fps	40Mbps	.mp4, .mov, .3gpp, .3gp, .av, .mkv
	H.264	3840x2160@30fps 1080P@60fps	135Mbps	.flv, .mp4, .mov, .3gpp, .3gp, .ts, .trp, .tp, .asf, .wmv, .avi, .mkv
	Motion JPEG	720P@30fps 1080P@30fps	10Mbps	.avi, .3gpp, .3gp, .mp4, .mov, .mkv, .asf
	VP8		20Mbps	.mkv, .webm
	HEVC	4K2K@60fps	100Mbps	.mp4, .mov, .mkv, .ts, .trp, .tp
VP9	4K2K@30fps	100Mbps	.mkv, .webm	
Media	Codec	Sample rate	Data Rate	File Ext.
Audio	MPEG1/2 Layer1, 2, 3	16KHz ~ 48KHz	32Kbps ~ 320Kbps	.mp3, .avi, .as, .divx, .mkv, .ts, .trp, .tp, .DAT, .VOB, .MPG, .MPEG, .wav
	AC3	32KHz, 44.1KHz, 48KHz	32Kbps ~ 640Kbps	.ac3, .avi, .mkv, .divx, .3gpp, .3gp, .mp4, .mov, m4a, .ts, .trp, .tp, .DAT, .VOB, .MPG, .MPEG, .rm, .rmvb
	EAC3	32KHz, 44.1KHz, 48KHz	32Kbps ~ 6Mbps	.ec3, .3gpp, .3gp, .mp4, .mov, m4a, .ts, .trp, .tp, .DAT, .VOB, .MPG, .MPEG
	AAC, HEAAC	8KHz ~ 48KHz	128bps ~ 320Kbps	.aac, .avi, .mkv, .divx, .3gpp, .3gp, .mp4, .mov, m4a, .ts, .trp, .tp, .DAT, .VOB, .MPG, .MPEG, .flv, .rm, .rmvb
	VORBIS	Up to 48KHz		.mkv, .webm, .3gpp, .3gp, .mp4, .mov, m4a, .ogg
Media	File	Resolution		File Ext.
Photo	JPEG	15360x8640, (1920x8 x 1080x8)	Base-line	.jpg/.jpeg
		1024x768	Progressive	
	PNG	9600x6400	Non-interlace	.png
		1200x800	Interlace	
	BMP	9600x6400		.bmp
	MPO	15360x8640, (1920x8 x 1080x8)	Base-line	.mpo
1024x768			Progressive	



SHA/MAN/0388



UMC Poland Sp. z o.o.

Ostaszewo 57B, 87-148 Łysomice,  
Poland

Assembled in Poland

[www.sharpconsumer.eu](http://www.sharpconsumer.eu)

**SHARP**