

00054843
(SIRIUM4000ABT)

hama[®]

THE SMART SOLUTION

SOUNDBAR SIRIUM4000ABT with subwoofer

SOUNDBAR SIRIUM4000ABT mit Subwoofer



Quick Guide

GB

Kurzanleitung

D

Notice d'utilisation

F

Instrucciones breves

E

Краткое руководство

RUS

Istruzioni brevi

I

Beknopte bedieningsinstructies

NL

Σύντομες οδηγίες

GR

Krótką instrukcja obsługi

PL

Rövid útmutató

H

Stručný návod

CZ

Stručný návod

SK

Instruções resumidas

P

Kısa kullanım kılavuzu

TR

Instrucțiuni scurte

RO

Snabbguide

S

Lyhyt ohje

FIN

Kort vejledning

DK

Kortveiledning

N

Alexa Voice Service / Alexa Voice Service

Voice Control Sprachsteuerung	✓
Number of Microphones Anzahl der Mikrofone	3
Microphone Array Mikrofon-Array	Far-Field

Connectivity / Konnektivität

WiFi (Standard); (Encryption, WPS) WiFi (Standard); (Verschlüsselung, WPS)	WiFi 2.4GHz (b/g/n) 2x2 Mimo; WPA, WPA2, WPS
Bluetooth (Standard)	4.0
USB	Playback
Digital Optical IN	✓
Digital Coaxial IN	✓
RCA (Cinch) IN	✓
AUX-IN	✓

Equalizer / DSP / Equalizer / DSP

Profiles Profile	3 modes (CINEMA, MUSIC, VOICE)
----------------------------	-----------------------------------

Streaming / Streaming

Wifi Stream (DLNA compatible) Wifi Stream (DLNA-kompatibel)	✓
UPNP	✓

Speaker / Lautsprecher

Tweeters Hochtöner	2x 1/2"
Mid-Woofers Mitteltöner	4x 2.25"
Frequency Range Frequenzreichweite	20 Hz ~ 20 KHz
Amplifier Class Amplifier-Klasse	Class D

Other Details and Specification / Andere Details und Spezifikationen

Remote Fernbedienung	Hama SRC-1805
Batteries Batterien	2x AAA
Wall Mount Possibility Möglichkeit zur Wandaufhängung	✓
Power Consumption Soundbar Energieverbrauch Soundbar	max. 50 W Standby: < 3 W
Power Consumption Subwoofer Energieverbrauch Subwoofer	max. 45 W Standby: < 0.5 W
Dimensions (W x H x D) Größe (B x H x T)	90 cm x 8 cm x 8 cm
Weight Gewicht	Subwoofer 5285 g Soundbar 2121 g

Subwoofer / Tieftöner

Driver Treiber	1x 6.5"
Frequency Range Frequenzreichweite	20 Hz ~ 150 Hz
Amplifier Class Amplifier-Klasse	Class D

Standards & Decoders / Standards & Decoder

Dolby Certification Dolby zertifiziert	Dolby 2.1
Max. Audio Resolution (Hi-Res) Max. Tonauflösung (Hi-Res)	192 kHz / 24 bit
Supported Hi-Res Audio Codecs Unterstützte Hi-Res Audio Codecs	FLAC, ALAC
Multiroom / Multi-Room	✓

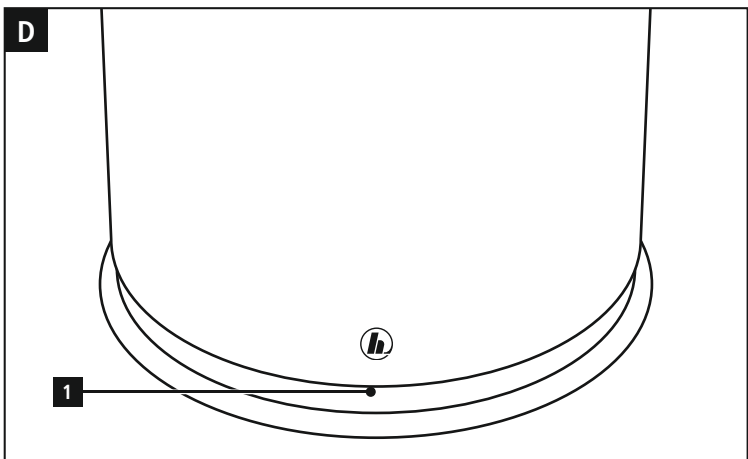
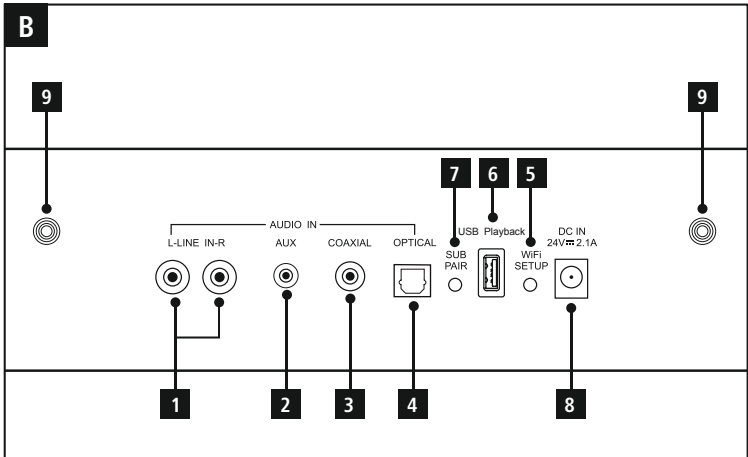
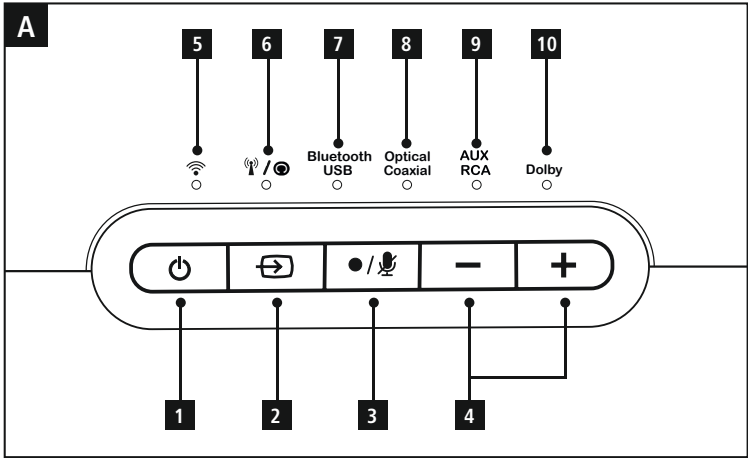


Further information and features are available on:

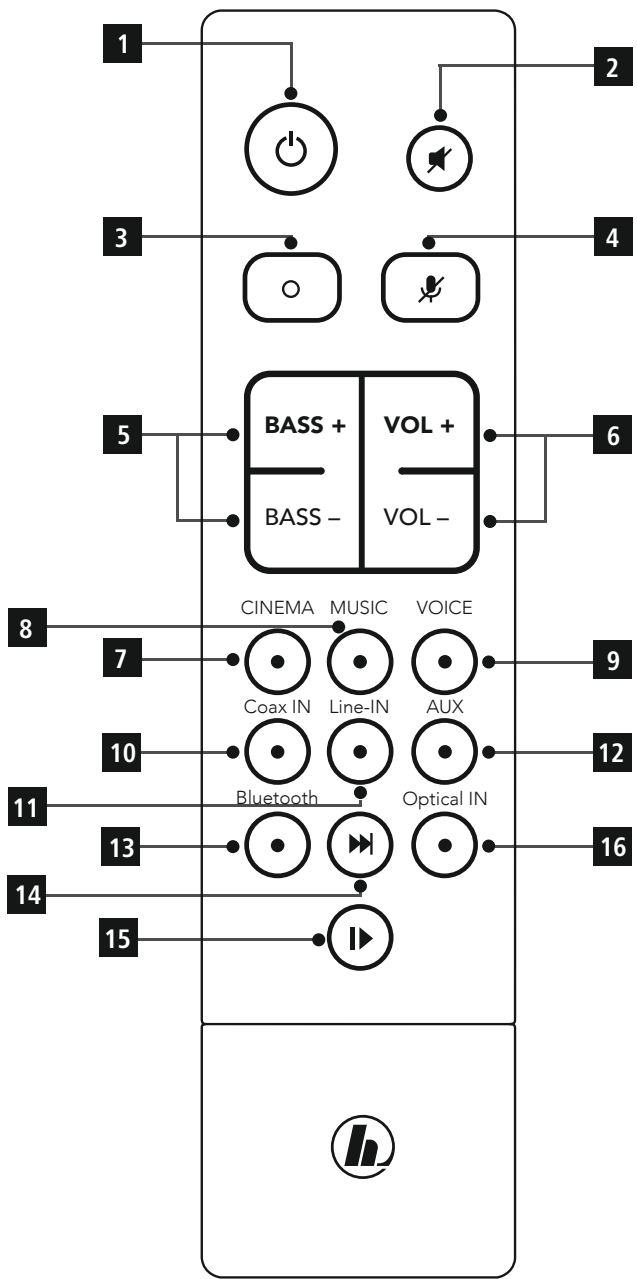
Weitere Informationen und Features finden Sie hier:



00054843



C



Controls and Displays

A Soundbar control panel

1. [POWER] button
2. [MODE] button
3. [ACTION / MICROPHONE MUTE] button
4. [VOLUME] +/- buttons
5. Network status LED
6. Streaming status LED
7. Bluetooth/USB status LED
8. Optical/Coaxial status LED
9. AUX/Line In status LED
10. Dolby status LED

B Rear

1. Line In socket L/R
2. AUX In socket
3. Coaxial socket
4. Optical In socket
5. [PAIRING] button (pairing with network)
6. USB playback
7. [PAIRING] button (pairing with subwoofer)
8. Mains lead
9. Thread for attaching to the wall bracket

C Remote Control

1. [POWER] button
2. [MUTE] button
3. [ACTION] button
4. [MUTE] button for microphone
5. [BASS] +/- buttons
6. [VOLUME] +/- buttons
7. CINEMA
8. MUSIC
9. VOICE
10. COAX IN mode
11. LINE IN mode
12. AUX IN mode
13. BLUETOOTH mode
14. [FORWARD] button
15. [PLAY/PAUSE] button
16. OPTICAL IN mode

D Subwoofer

1. [PAIRING] button subwoofer



Important note – Operating instructions:

- This is a quick guide to provide you with the most important basic information, such as safety warnings and how to get started using the product.
- For the sake of protecting the environment and saving resources, Hama dispenses with printed operating instructions and provides them only in the form of PDF files / eManuals on www.hama.com.
- Use the search function with the item number of your product to easily find the product documentation.
- Alternatively, scan the QR code below to be taken directly to the location of the operating instructions.
- Save the operating instructions to your computer's hard drive for future reference, or print it out if necessary.

1. Explanation of Warning Symbols and Notes

Warning

This symbol is used to indicate safety instructions or to draw your attention to specific hazards and risks.

Note

This symbol is used to indicate additional information or important notes.

Risk of electric shock

This symbol indicates product parts energized with a dangerous voltage of sufficient magnitude to constitute a risk of electric shock.

2. Package Contents

- Soundbar
- Subwoofer
- Remote control
- 2x AAA batteries
- 1 x optical signal cable
- AC/DC adapter
- Quick guide, brochure

3. Safety Notes

- The product is intended for private, non-commercial use only.
- Protect the product from dirt, moisture and overheating and use it in dry rooms only.
- As with all electrical devices, this device should be kept out of the reach of children.
- Do not drop the product and do not expose it to any major shocks.
- Do not operate the product outside the power limits given in the specifications.
- Keep the packaging material out of the reach of children due to the risk of suffocation.
- Dispose of packaging material immediately according to locally applicable regulations.
- Do not modify the device in any way. Doing so voids the warranty.

Risk of electric shock

- Do not open the device or continue to operate it if it becomes damaged.
- Do not use the product if the AC adapter, adapter cable or power cable is damaged.
- Do not attempt to service or repair the device yourself. Leave any service work to qualified experts.

Warning – Batteries:

- When inserting batteries, note the correct polarity (+ and - markings) and insert the batteries accordingly. Failure to do so could result in the batteries leaking or exploding.
- Do not allow children to change batteries without supervision.
- Do not mix old and new batteries or batteries of a different type or make.
- Remove the batteries from products that are not being used for an extended period
- Do not short-circuit batteries.
- Do not charge batteries.
- Do not throw batteries in a fire.
- Keep batteries out of the reach of children.

4. Before getting started

Getting started with the remote control

Open the battery compartment cover. It is located on the rear of the remote control and can be opened by sliding it in the direction indicated.

Two AAA batteries are included in the delivery, they should be inserted in the battery compartment of the remote control. Observe the correct polarity when inserting batteries. The polarity (+ / -) is indicated in the battery compartment.

5. Getting started

Warning

- Connect the product only to a socket that has been approved for the device. The socket must be installed close to the product and must be easily accessible.
- Disconnect the product from the power supply using the on/off switch – if this is not available, unplug the power cord from the socket.
- When using a multi-socket power strip, make sure that the sum power draw of all the connected devices does not exceed its maximum throughput rating.
- If you will not be using the product for a long period of time, disconnect it from mains power.

Turning on the product

- Connect the power cables of the soundbar and the subwoofer to properly installed power sockets.
- Press **[POWER]** (1) to switch on the soundbar. Alternatively, press the **[POWER]** button (1) on the remote control.

Note – Turning on for the first time

- In the as-shipped state, the soundbar and subwoofer are already paired.
- When switched on for the first time, the soundbar is in 'First-time setup of device' mode as soon as the network status LED (5) pulsates.

6. Setting up the soundbar

Note

- To be able to use the product's full range of functions, you must additionally download the Amazon Alexa app and create an Amazon account. For this purpose, follow the instructions in the Amazon Alexa app. Further information can be found at www.amazon.co.uk
- Make sure that your terminal device has the necessary ports for connection to the soundbar. Please refer to the operating instructions for the terminal device you are using.

6.1. Downloading the Hama Smart Audio app

Note

The following operating systems are supported:

- iOS 8 or higher
 - Android 4.4.2 or higher
- Open the iTunes App Store or Google Play Store on your smartphone.
 - Use the search function to find the app.
 - Download the app in the usual way and install it on your smartphone. To do this, follow the instructions on your smartphone.

6.2. First-time setup of the device with the Hama Smart Audio app (ALEXA function)

Note – WLAN (wireless network)

- Ensure that the router is switched on, is functioning correctly and that there is a connection to the internet.
 - Activate the WLAN function of your router.
 - Follow your router's operating instructions as regards the correct functioning of the WLAN connection.
- Make sure that the soundbar is in WLAN pairing mode. The network status LED (5) pulsates.
 - Make sure that the Hama Smart Audio app is installed on your smartphone.
 - Open the Hama Smart Audio app and tap **[CONFIGURE]**.
 - Then tap **[Add More Speakers]**.
 - Open your smartphone's WLAN settings by tapping **[OPEN Settings]**.
 - Search for the **Hama SIRIUM4000ABT** soundbar in your smartphone's WLAN settings.
 - Connect your smartphone to the soundbar.
 - Now open the Hama Smart Audio app on your smartphone.
 - Select the desired WLAN name (SSID).
 - Now enter your network key and confirm with **[Save]**.
 - Confirm the selected settings by tapping **[CONFIRM]**.
 - The soundbar now connects to the network. After successful connection, the message 'Configured Successfully Hama Soundbar' is displayed on your smartphone.
 - The network status LED (5) is now constantly lit blue.
 - Tap **[Sources]** at the lower edge of the screen to set up a connection to your Amazon account.
 - Then tap the **[Amazon Alexa]** button.
 - Tap **[Sign in with Amazon]** to open the Web browser for entering your access data.
 - Enter the access data for your Amazon account using your smartphone's keyboard.
 - Alternatively, you can create a new Amazon account by tapping **[Create a new Amazon account]**.

- After successful sign-in, you return to the Hama Smart Audio app.
- Now select the language that you want Alexa to respond to in future.
- Open the Amazon Alexa app and enter your access data once again.
- Then specify your personal settings (time zone, device name, etc.) in the Amazon Alexa app. Further information can be found at www.amazon.co.uk -> Help and Customer Service.

Note - Alexa Push to talk / function key

- Briefly press the [Action / Microphone mute] button (3) on the soundbar to activate Alexa during audio operation or high volume. Alternatively, press the Action button (3) on the remote control.
- Press and hold the [Action / Microphone mute] button (3) for about 3 seconds to switch off the microphone. Alternatively, press the **[MUTE]** button (4) on the remote control. The soundbar will now no longer respond to the wake word until the microphone is activated again. If the microphone is switched off, the soundbar can still be operated using the buttons on the soundbar or remote control.

7. Bluetooth pairing

You can pair your terminal device with the soundbar via Bluetooth and use the soundbar as a playback device for audio signals. You can control playback directly on your terminal device or using the remote control. The volume can also be controlled directly on the soundbar.

Note – Bluetooth®

- Check whether your mobile device (smartphone, tablet, etc.) is Bluetooth®-capable.
 - Note that the maximum range for Bluetooth® is 10 metres without obstacles such as walls, people, etc.
 - The Bluetooth® connection may be disrupted by other Bluetooth® devices/connections in the vicinity.
 - It is only possible to connect the soundbar to one terminal device.
 - Note that compatibility depends on the supported Bluetooth® profiles as well as the Bluetooth® versions being used. (See Technical specifications, operating instructions of the terminal device in use)
- Make sure that your Bluetooth-capable terminal device is on and Bluetooth is activated.
 - Activate the Bluetooth mode by repeatedly pressing the **[MODE]** button (2) on the soundbar.
 - Alternatively, press [Bluetooth] (13) on the remote control.
 - The Bluetooth status LED (7) begins to pulsate blue.
 - Press and hold **[MODE]** (2) for about 5 seconds to activate the pairing mode. The Bluetooth status LED (7) begins to flash quickly.
 - Open the Bluetooth settings on your terminal device and wait until **Hama SIRIUM4000ABT** appears in the list of Bluetooth devices found.
 - If necessary, start searching for Bluetooth devices on your terminal device.
 - Select the **Hama SIRIUM4000ABT** soundbar in the list of available devices and wait until the soundbar is shown as connected in the Bluetooth settings on your terminal device.
 - The Bluetooth status LED (7) is now constantly lit blue.
 - Start and control audio playback using the controls of your terminal device or the remote control.

8. Connection via Auxiliary Input / Line In

You can use the analogue audio inputs (Line In / AUX) to connect mobile devices (for example, smartphone, tablet PC, MP3 player, etc.) and older analogue sources (CD/DVD player etc.) to the soundbar and play their audio signals using the soundbar. For the connection, you can use either a 3.5-mm audio cable (jack cable) or an RCA cable.

Note

- Switch off the soundbar before connecting a terminal device.
- Do not bend or crush the cable.
- For playback using the LINE In connection, connect your terminal device to the soundbar using the LINE In socket (1) and an RCA cable, and select the LINE In mode.
- For playback using the AUX connection, connect your terminal device to the soundbar using the AUX socket (2) and a 3.5-mm audio cable (jack cable), and select the AUX mode.
- Press **[POWER]** (1) to switch on the soundbar.
- Activate the Line In or AUX mode by repeatedly pressing the **[MODE]** button (2) on the soundbar.
- The AUX/Line In status LED (9) is lit red if the LINE IN mode was selected, blue if the AUX mode was selected.
- Alternatively, press **[AUX]** (12) on the remote control for a connection using a 3.5-mm audio cable (jack cable), or **[LINE In]** (11) for a connection using an RCA cable.

9. Connection via optical/coaxial input

You can use the soundbar's digital audio inputs to connect your terminal device (for example, TV set) and play its audio signals using the soundbar. For the connection, you can use either an optical signal cable or a coaxial cable.

Note

- Switch off the soundbar before connecting a terminal device.
- Remove the protective caps from both ends of the optical signal cable before connection.
- Do not bend or crush the cable.

- For playback using the optical audio input, connect one end of the optical signal cable (supplied) to the optical audio input (4) on the soundbar, the other end to the optical audio output on your terminal device; then select the Optical mode.
- For playback using the coaxial audio input, connect one end of a coaxial cable to the coaxial audio input (3) on the soundbar, the other end to the coaxial audio output on your terminal device; then select the Coaxial mode.
- Press and hold **[POWER]** (1) for about 3 seconds to switch on the soundbar.
- Activate the Optical or Coaxial mode by repeatedly pressing the **[MODE]** button (2) on the soundbar.
- The Optical/Coaxial status LED (8) is lit blue if the Optical mode was selected, red if the Coaxial mode was selected.
- Alternatively, press **[Optical In]** (16) on the remote control for a connection using an optical signal cable, or **[Coax In]** (10) for a connection using a coaxial cable.

10. Care and Maintenance

- Only clean this product with a slightly damp, lint-free cloth and do not use aggressive cleaning agents.
- If you do not use the product for a long time, turn off the device and disconnect it from the power supply. Store it in a clean, dry place out of direct sunlight.

11. Warranty Disclaimer

Hama GmbH & Co. KG assumes no liability and provides no warranty for damage resulting from improper installation/mounting, improper use of the product or from failure to observe the operating instructions and/or safety notes.

12. Service and Support

Please contact Hama Product Consulting if you have any questions about this product.

Hotline: +49 9091 502-115 (German/English)

Further support information can be found here:

www.hama.com

13. Recycling Information

Note on environmental protection:



After the implementation of the European Directive 2012/19/EU and 2006/66/EU in the national legal system, the following applies:

Electric and electronic devices as well as batteries must not be disposed of with household waste. Consumers are obliged by law to return electrical and electronic devices as well as batteries at the end of their service lives to the public collecting points set up for this purpose or point of sale. Details to this are defined by the national law of the respective country. This symbol on the product, the instruction manual or the package indicates that a product is subject to these regulations. By recycling, reusing the materials or other forms of utilising old devices/Batteries, you are making an important contribution to protecting our environment.

14. Declaration of Conformity

CE Hereby, Hama GmbH & Co KG declares that the radio equipment type [00054843] is in compliance with Directive 2014/53/EU. The full text of the EU declaration of conformity is available at the following internet address:
www.hama.com -> 00054843 -> Downloads.

Frequency band(s)	2.412 GHz – 2.483 GHz 2.402 GHz - 2.480 GHz
Maximum radio-frequency power transmitted	19.5 dBm EIRP 8 dBm EIRP



Bedienungselemente und Anzeigen

A Bedienfeld Soundbar

1. [POWER]-Taste
2. [MODE]-Taste
3. [AKTION / MIKROPHON MUTE]-Taste
4. [VOLUME] +/- -Tasten
5. Status-LED Netzwerk
6. Status-LED Streaming
7. Status-LED Bluetooth/USB
8. Status-LED Optisch/Coaxial
9. Status-LED AUX/Line In
10. Status-LED Dolby

B Rückseite

1. Line In Buchse L/R
2. AUX In Buchse
3. Coaxial Buchse
4. Optical- In Buchse
5. [PAIRING]-Taste Netzwerk
6. USB Playback
7. [PAIRING]-Taste Subwoofer
8. Netzzuleitung
9. Gewinde zur Befestigung an der Wandhalterung

C Fernbedienung

1. [POWER]-Taste
2. [MUTE]-Taste
3. Aktionstaste
4. [MUTE]-Taste Mikrofon
5. [BASS] +/- -Tasten
6. [VOLUME] +/- -Tasten
7. CINEMA
8. MUSIC
9. VOICE
10. COAX IN-Modus
11. LINE In Modus
12. AUX In Modus
13. Bluetooth-Modus
14. [FORWARD]-Taste
15. [PLAY/PAUSE]-Taste
16. Optical In Modus

D Subwoofer

1. [PAIRING]-Taste Subwoofer

Wichtiger Hinweis - Bedienungsanleitung:

- Dies ist eine Kurzanleitung, die Sie mit wichtigen Basis-Informationen, wie Sicherheitshinweisen und der Inbetriebnahme ihres Produktes versorgt.
- Aus Gründen des Umweltschutzes und der Einsparung wertvoller Rohstoffe verzichtet die Firma Hama auf eine gedruckte Bedienungsanleitung und bietet diese ausschließlich als PDF-Download / eManual unter www.hama.com an.
- Nutzen Sie zum leichteren Auffinden die Suchfunktion und als Suchbegriff die Artikelnummer um die Produktdokumentation zu erreichen.
- Alternativ erreichen Sie die Bedienungsanleitung mit dem nachfolgenden QR-Code.
- Speichern Sie diese Bedienungsanleitung zum Nachschlagen auf Ihrem Computer und drucken Sie diese nach Möglichkeit aus.

1. Erklärung von Warnsymbolen und Hinweisen

Warnung

Wird verwendet, um Sicherheitshinweise zu kennzeichnen oder um Aufmerksamkeit auf besondere Gefahren und Risiken zu lenken.

Hinweis

Wird verwendet, um zusätzlich Informationen oder wichtige Hinweise zu kennzeichnen.

Gefahr eines elektrischen Schlages

Dieses Symbol weist auf eine Berührungsgefahr mit nicht isolierten Teilen des Produktes hin, die möglicherweise eine gefährliche Spannung von solcher Höhe führen, dass die Gefahr eines elektrischen Schlages besteht.

2. Packungsinhalt

- Soundbar
- Subwoofer
- Fernbedienung
- 2x AAA Batterien
- 1x optisches Signalkabel
- Netzteil
- Schnellstartanleitung

3. Sicherheitshinweise

- Das Produkt ist für den privaten, nicht-gewerblichen Haushaltsgebrauch vorgesehen.
- Schützen Sie das Produkt vor Schmutz, Feuchtigkeit und Überhitzung und verwenden Sie es nur in trockenen Räumen.
- Dieses Produkt gehört, wie alle elektrischen Produkte, nicht in Kinderhände!
- Lassen Sie das Produkt nicht fallen und setzen Sie es keinen heftigen Erschütterungen aus.
- Betreiben Sie das Produkt nicht außerhalb seiner in den technischen Daten angegebenen Leistungsgrenzen.
- Halten Sie Kinder unbedingt von dem Verpackungsmaterial fern, es besteht Erstickungsgefahr.
- Entsorgen Sie das Verpackungsmaterial sofort gemäß den örtlich gültigen Entsorgungsvorschriften.
- Nehmen Sie keine Veränderungen am Gerät vor. Dadurch verlieren sie jegliche Gewährleistungsansprüche.

Gefahr eines elektrischen Schlages

- Öffnen Sie das Produkt nicht und betreiben Sie es bei Beschädigungen nicht weiter.
- Verwenden Sie das Produkt nicht, wenn der AC-Adapter, das Adapterkabel oder die Netzleitung beschädigt sind.
- Versuchen Sie nicht, das Produkt selbst zu warten oder zu reparieren. Überlassen Sie jegliche Wartungsarbeit dem zuständigen Fachpersonal.

Warnung - Batterien

- Beachten Sie unbedingt die korrekte Polarität (Beschriftung + und -) der Batterien und legen Sie diese entsprechend ein. Bei Nichtbeachtung besteht die Gefahr des Auslaufens oder einer Explosion der Batterien.
- Gestatten Sie Kindern nicht ohne Aufsicht das Wechseln von Batterien.
- Mischen Sie alte und neue Batterien nicht, sowie Batterien unterschiedlichen Typs oder Herstellers.
- Entfernen Sie Batterien aus Produkten, die längere Zeit nicht benutzt werden.
- Schließen Sie die Batterien nicht kurz.
- Laden Sie Batterien nicht.
- Werfen Sie Batterien nicht ins Feuer.
- Bewahren Sie Batterien außerhalb der Reichweite von Kindern auf.

4. Vor der Inbetriebnahme

Fernbedienung in Betrieb nehmen

Öffnen Sie die Abdeckung des Batteriefachs. Diese befindet sich auf der Rückseite der Fernbedienung und kann durch schieben in die gekennzeichnete Richtung geöffnet werden. Zum Lieferumfang gehören zwei AAA-Batterien, welche Sie für die Inbetriebnahme in das Batteriefach einlegen müssen. Achten Sie beim Einlegen darauf, dass die Batterien mit der richtigen Polarität eingelegt werden. Die vorgegebene Polarität (+ / -) ist im Batteriefach gekennzeichnet.

5. Inbetriebnahme



Warnung

- Betreiben Sie das Produkt nur an einer dafür zugelassenen Steckdose. Die Steckdose muss in der Nähe des Produktes angebracht und leicht zugänglich sein.
- Trennen Sie das Produkt mittels des Ein-/Ausschalters vom Netz – wenn dieser nicht vorhanden ist, ziehen Sie die Netzleitung aus der Steckdose.
- Achten Sie bei Mehrfachsteckdosen darauf, dass die angeschlossenen Verbraucher die zulässige Gesamtleistungsaufnahme nicht überschreiten.
- Trennen Sie das Produkt vom Netz, wenn Sie es längere Zeit nicht benutzen.

Einschalten

- Verbinden Sie die Netzkabel der Soundbar und des Subwoofers mit ordnungsgemäß installierten Steckdosen.
- Drücken Sie **[POWER]** (1), um die Soundbar einzuschalten. Alternativ drücken Sie die **[POWER]**-Taste (1) auf der Fernbedienung.



Hinweis – beim ersten Einschalten

- Im Auslieferungszustand sind Soundbar und Subwoofer bereits verbunden.
- Beim ersten Einschalten befindet sich die Soundbar im Modus „Ersteinrichtung des Gerätes“ sobald die Status-LED Netzwerk (5) pulsiert.

6. Einrichten der Soundbar



Hinweis

- Um den vollen Funktionsumfang des Produktes nutzen zu können, muss zusätzlich die Amazon Alexa App heruntergeladen sowie ein Amazon Konto erstellt werden. Folgen Sie hierfür den Anweisungen in der Amazon Alexa App. Weitere Informationen hierzu finden Sie unter www.amazon.de.
- Stellen Sie sicher, dass Ihr Endgerät über die nötigen Anschlüsse zur Verbindung mit der Soundbar verfügt. Beachten Sie dazu die Bedienungsanleitung Ihres verwendeten Endgerätes.

6.1. Herunterladen der Hama Smart Audio App



Hinweis

Es werden folgende Betriebssysteme unterstützt:

- iOS 8 oder höher
 - Android 4.4.2 oder höher
- Öffnen Sie den iTunes AppStore oder Google Play Store auf Ihrem Smartphone.
 - Mithilfe der Suchfunktion können Sie die App finden.
 - Laden Sie die App wie gewohnt herunter und installieren Sie diese auf Ihrem Smartphone. Folgen Sie hierfür den Anweisungen Ihres Smartphones.

6.2. Ersteinrichtung des Gerätes mit der Hama Smart Audio App (ALEXA-Funktion)



Hinweis WLAN (kabelloses Netzwerk)

- Stellen Sie sicher, dass der Router eingeschaltet ist und eine Verbindung zum Internet / Netzwerk besteht.
 - Aktivieren Sie, falls noch nicht geschehen, die WLAN-Verbindung Ihres Routers.
 - Sollten Fragen zur Konfiguration des Routers auftreten, nutzen Sie bitte die Bedienungsanleitung des Routers zur Fehlersuche / Problemlösung.
- Stellen Sie sicher, dass sich die Soundbar im WLAN-Pairing-Modus befindet. Die Status-LED Netzwerk (5) pulsiert.
 - Stellen Sie sicher, dass die Hama Smart Audio App auf Ihrem Smartphone installiert ist.
 - Öffnen Sie die Hama Smart Audio App und berühren Sie **[CONFIGURE]**.
 - Berühren Sie anschließend **[Add More Speakers]**.
 - Öffnen Sie die WLAN-Einstellungen Ihres Smartphones durch Berühren von **[OPEN Settings]**.
 - Suchen Sie in den WLAN Einstellungen Ihres Smartphones nach der Soundbar **Hama SIRIUM4000ABT**.
 - Verbinden Sie Ihr Smartphone mit der Soundbar.
 - Öffnen Sie nun die Hama Smart Audio App auf Ihrem Smartphone.
 - Wählen Sie den gewünschten WLAN Namen (SSID) aus.
 - Geben Sie nun Ihren Netzwerkschlüssel ein und bestätigen Sie mit **[Save]**.
 - Bestätigen Sie die gewählten Einstellungen durch Berühren von **[CONFIRM]**.
 - Die Soundbar verbindet sich nun mit dem Netzwerk. Nach erfolgreicher Verbindung wird „Configured Succesfully Hama Soundbar“ auf dem Smartphone angezeigt.
 - Die Status-LED Netzwerk (5) leuchtet nun dauerhaft blau.
 - Berühren Sie **[Sources]** am unteren Bildschirmrand, um eine Verbindung zu Ihrem Amazon Konto herzustellen.
 - Berühren Sie anschließend die Schaltfläche **[Amazon Alexa]**.

- Berühren Sie **[Sign in with Amazon]**, um den Webbrowser für die Eingabe Ihrer Zugangsdaten zu öffnen.
- Geben Sie mit der Tastatur Ihres Smartphones die Zugangsdaten Ihres Amazon Kontos ein.
- Alternativ können Sie durch Berühren von **[Create a new Amazon account]** ein neues Amazon Konto erstellen.
- Nach erfolgreicher Anmeldung gelangen Sie wieder zurück zur Hama Smart Audio App.
- Wählen Sie nun die Sprache aus, auf welche Alexa zukünftig reagieren soll.
- Öffnen Sie die Amazon Alexa App und geben Sie erneut Ihre Zugangsdaten ein.
- Nehmen Sie anschließend Ihre persönlichen Einstellungen (Zeitzone, Gerätenamen, etc.) in der Amazon Alexa App vor. Weitere Informationen hierzu finden Sie unter www.amazon.de -> Hilfe und Kundenservice.

Hinweis Alexa Push to talk/ Function Key

- Drücken Sie kurz die **[Aktion / Mikrofon Mute]**-Taste (3) auf der Soundbar, um Alexa während des Audiobetriebs bzw. hoher Lautstärke zu aktivieren. Alternativ drücken Sie die Aktionstaste (3) auf der Fernbedienung.
- Drücken und halten Sie die **[Aktion / Mikrofon Mute]**-Taste (3) für ca. 3 Sekunden, um das Mikrofon auszuschalten. Alternativ drücken Sie die **[MUTE]**-Taste (4) auf der Fernbedienung. Die Soundbar reagiert nun nicht mehr auf das Aktivierungswort, bis das Mikrofon wieder aktiviert wird. Ist das Mikrofon ausgeschaltet, kann die Soundbar weiterhin über die Tasten an der Soundbar bzw. auf der Fernbedienung bedient werden.

7. Bluetooth Erstverbindung (Pairing)

Via Bluetooth können Sie Ihre Endgeräte mit der Soundbar verbinden und diese als Wiedergabegerät für Audiosignale nutzen. Die Steuerung der Wiedergabe erfolgt dabei direkt über das Endgerät oder die Fernbedienung. Die Lautstärke lässt sich auch an der Soundbar direkt regeln.

Hinweis – Bluetooth®

- Prüfen Sie, ob Ihr mobiles Endgerät (Smartphone, Tablet-PC, etc.) Bluetooth-fähig ist.
 - Beachten Sie, dass die Reichweite von Bluetooth® max. 10 Meter beträgt, ohne Hindernisse wie Wände, Personen, etc.
 - Es kann vorkommen, dass die Verbindung durch weitere Bluetooth®-Geräte/ Verbindungen in der Umgebung gestört wird.
 - Die Soundbar kann immer nur mit einem Endgerät gekoppelt werden.
 - Beachten Sie, dass die Kompatibilität von den unterstützten Bluetooth® Profilen sowie der verwendeten Bluetooth® Versionen abhängig ist. (siehe: Technische Daten, Bedienungsanleitung des verwendeten Endgeräts)
- Stellen Sie sicher, dass Ihr Bluetooth fähiges Endgerät eingeschaltet ist und dass Bluetooth aktiviert ist.
 - Aktivieren Sie durch wiederholtes Drücken der **[MODE]**-Taste (2) auf der Soundbar den Bluetooth Modus.
 - Alternativ drücken Sie **[Bluetooth]** (13) auf der Fernbedienung.
 - Die Status-LED Bluetooth (7) beginnt blau zu pulsieren.
 - Drücken und halten Sie **[MODE]** (2) für ca. 5 Sekunden, um den Pairing Modus zu aktivieren. Die Status-LED Bluetooth (7) beginnt schnell zu blinken.
 - Öffnen Sie die Bluetooth Einstellungen auf Ihrem Endgerät und warten Sie, bis in der Liste der gefundenen Bluetooth Geräte **Hama SIRIUM4000ABT** angezeigt wird.
 - Starten Sie ggf. die Suche nach Bluetooth Geräten auf Ihrem Endgerät.
 - Wählen Sie die Soundbar **Hama SIRIUM4000ABT** in der Liste der verfügbaren Geräte aus und warten Sie, bis die Soundbar als verbunden in den Bluetooth Einstellungen Ihres Endgerätes angezeigt wird.
 - Die Status-LED Bluetooth (7) leuchtet nun dauerhaft blau.
 - Starten und steuern Sie die Audiowiedergabe entsprechend über das Endgerät bzw. die Fernbedienung.

8. Verbindung über Auxiliary Input/Line In

Über die analogen Audioeingänge (Line In/ AUX) können Sie mobile Endgeräte (z.B. Smartphone, Tablet PC; MP3-Player, etc.) und ältere analoge Quellen (CD-/DVD-Player etc.) an die Soundbar anschließen und deren Audiosignal über die Soundbar wiedergeben. Hierfür haben Sie die Wahl zwischen dem Anschluss über ein 3,5mm Audiokabel (Klinkenkabel) oder über ein Cinchkabel.

Hinweis

- Schalten Sie die Soundbar aus, bevor Sie ein Endgerät daran anschließen.
- Knicken und quetschen Sie das Kabel nicht.
- Für eine Wiedergabe über den LINE In Anschluss verbinden Sie Ihr Endgerät über die LINE In Buchse (1) mittels eines Cinchkabels mit der Soundbar und wählen den LINE In Modus.
- Für eine Wiedergabe über den AUX Anschluss verbinden Sie Ihr Endgerät über die AUX Buchse (2) mittels eines 3,5mm Audiokabels (Klinkenkabel) mit der Soundbar und wählen den AUX Modus.
- Drücken Sie **[POWER]** (1) um die Soundbar einzuschalten.
- Aktivieren Sie durch wiederholtes Drücken der **[MODE]**-Taste (2) auf der Soundbar den Line In bzw. AUX Modus.
- Die Status-LED AUX /Line In (9) leuchtet rot, wenn der LINE IN Modus gewählt wurde bzw. blau, wenn der AUX Modus gewählt wurde.
- Alternativ drücken Sie **[AUX]** (12) auf der Fernbedienung bei einer Verbindung über ein 3,5mm Audiokabel (Klinkenkabel) bzw. **[LINE In]** (11) bei einer Verbindung über ein Cinchkabel.

9. Verbindung über Optisch/Coaxial

Über die digitalen Audioeingänge der Soundbar können Sie Ihr Endgerät (z.B. TV Gerät) anschließen und dessen Audiosignal über die Soundbar wiedergeben. Hierfür haben Sie die Wahl zwischen dem Anschluss über ein optisches Signalkabel oder über ein Coaxialkabel.

Hinweis

- Schalten Sie die Soundbar aus, bevor Sie ein Endgerät daran anschließen.
- Entfernen Sie vor dem Anschließen die Schutzkappen von beiden Enden des optischen Signalkabels.
- Knicken und quetschen Sie das Kabel nicht.

- Für eine Wiedergabe über den optischen Audioanschluss schließen Sie das optische Signalkabel (Lieferumfang) am optischen Audioeingang (4) der Soundbar und am optischen Audioausgang Ihres Endgerätes an und wählen den Optical Modus.
- Für eine Wiedergabe über den coaxialen Audioanschluss schließen Sie ein Coaxialkabel an den coaxialen Audioeingang (3) der Soundbar und den coaxialen Audioausgang Ihres Endgerätes an und wählen den Coaxial Modus.
- Drücken und halten Sie **[POWER]** (1) für ca. 3 Sekunden, um die Soundbar einzuschalten.
- Aktivieren Sie durch wiederholtes Drücken der **[MODE]**-Taste (2) auf der Soundbar den Optical Modus bzw. den Coaxial Modus.
- Die Status-LED Optical/Coaxial (8) leuchtet blau, wenn der Optical Modus gewählt wurde bzw. rot, wenn der Coaxial Modus gewählt wurde.
- Alternativ drücken Sie **[Optical In]** (16) auf der Fernbedienung bei einer Verbindung über ein optisches Signalkabel bzw. **[Coax In]** (10) bei einer Verbindung über ein Coaxialkabel.

10. Wartung und Pflege

- Reinigen Sie dieses Produkt nur mit einem fusselfreien, leicht feuchten Tuch und verwenden Sie keine aggressiven Reiniger.
- Sollten Sie das Produkt längere Zeit nicht nutzen, schalten Sie das Gerät aus und trennen es von der Stromversorgung. Lagern Sie es an einem sauberen, trockenen Ort ohne direkte Sonneneinstrahlung.

11. Haftungsausschluss

Die Hama GmbH & Co. KG übernimmt keinerlei Haftung oder Gewährleistung für Schäden, die aus unsachgemäßer Installation, Montage und unsachgemäßem Gebrauch des Produktes oder einer Nichtbeachtung der Bedienungsanleitung und/oder der Sicherheitshinweise resultieren.

12. Service und Support

Bitte wenden Sie sich bei Fragen zum Produkt gerne an die Hama-Produktberatung.

Hotline: +49 9091 502-115 (Deu/Eng)

Weitere Supportinformationen finden sie hier:
www.hama.com

13. Entsorgungshinweise

Hinweis zum Umweltschutz:



Ab dem Zeitpunkt der Umsetzung der europäischen Richtlinien 2012/19/EU und 2006/66/EG in nationales Recht gilt folgendes:

Elektrische und elektronische Geräte sowie Batterien dürfen nicht mit dem Hausmüll entsorgt werden. Der Verbraucher ist gesetzlich verpflichtet, elektrische und elektronische Geräte sowie Batterien am Ende ihrer Lebensdauer an den dafür eingerichteten, öffentlichen Sammelstellen oder an die Verkaufsstelle zurückzugeben. Einzelheiten dazu regelt das jeweilige Landesrecht. Das Symbol auf dem Produkt, der Gebrauchsanleitung oder der Verpackung weist auf diese Bestimmungen hin. Mit der Wiederverwertung, der stofflichen Verwertung oder anderen Formen der Verwertung von Altgeräten/Batterien leisten Sie einen wichtigen Beitrag zum Schutz unserer Umwelt.

14. Konformitätserklärung

CE Hiermit erklärt die Hama GmbH & Co KG, dass der Funkanlagentyp [00054843] der Richtlinie 2014/53/EU entspricht. Der vollständige Text der EU-Konformitätserklärung ist unter der folgenden Internetadresse verfügbar:
www.hama.com -> 00054843 -> Downloads.

Frequenzband/ Frequenzbänder	2.412 GHz – 2.483 GHz 2.402 GHz - 2.480 GHz
Abgestrahlte maximale Sendeleistung	19.5 dBm EIRP 8 dBm EIRP



Éléments de commande et d'affichage**A Panneau de commande de la barre de son**

1. Touche [POWER]
2. Touche [MODE]
3. Touche [ACTION / MISE EN SOURDINE DU MICROPHONE]
4. Touches [VOLUME] +/-
5. LED d'état du réseau
6. LED d'état du streaming
7. LED d'état mode Bluetooth / USB
8. LED d'état mode optique / coaxial
9. LED d'état AUX / Line In
10. LED d'état mode Dolby

B Face arrière


1. Prise Line In L/R
2. Prise AUX In
3. Prise coaxiale
4. Prise Optical In
5. Touche de couplage [PAIRING] du réseau
6. Lecture USB
7. Touche de couplage [PAIRING] du caisson de graves
8. Câble d'alimentation
9. Filetage de fixation au support mural

C Télécommande

1. Touche [POWER]
2. Touche [MUTE]
3. Touche d'action
4. Touche [MUTE] du microphone
5. Touches [BASS] +/-
6. Touches [VOLUME] +/-
7. CINEMA
8. MUSIC
9. VOICE
10. Mode COAX IN
11. Mode LINE IN
12. Mode AUX IN
13. Mode BLUETOOTH
14. Touche [FORWARD]
15. Touche [PLAY/PAUSE]
16. Mode OPTICAL IN

D Caisson de graves

1. Touche de couplage [PAIRING] du caisson de graves

 Remarque importante - mode d'emploi :

- Ceci est une notice d'utilisation qui vous fournit des informations de base importantes, par ex. des consignes de sécurité et des informations concernant la mise en service de votre produit.
- Pour des raisons écologiques et afin d'économiser de précieuses matières premières, l'entreprise Hama renonce à imprimer le mode d'emploi et propose de télécharger celui-ci au format PDF / eManual sur www.hama.com.
- Utilisez la fonction de recherche et saisissez le numéro de l'article souhaité pour trouver plus facilement la documentation du produit.
- En alternative, vous pouvez accéder au mode d'emploi par le code QR suivant.
- Enregistrez ce mode d'emploi sur votre ordinateur pour le consulter ultérieurement et imprimez-le, dans la mesure du possible.

1. Explication des symboles d'avertissement et des remarques

Avertissement

Ce symbole est utilisé pour indiquer des consignes de sécurité ou pour attirer votre attention sur des dangers et risques particuliers.

Remarque

Ce symbole est utilisé pour indiquer des informations supplémentaires ou des remarques importantes.

Risque d'électrocution

Ce symbole indique un risque de contact avec des parties non isolées du produit susceptibles de conduire un courant électrique capable de provoquer un risque d'électrocution.

2. Contenu de l'emballage

- Barre de son
- Caisson de graves
- Télécommande
- 2 piles LR03/AAA
- 1 câble optique
- Bloc secteur
- Notice d'utilisation

3. Consignes de sécurité

- Ce produit est destiné à un usage domestique non commercial.
- Protégez-le de toute saleté, humidité, surchauffe et utilisez-le uniquement dans des locaux secs.
- Cet appareil, comme tout appareil électrique, doit être tenu hors de portée des enfants.
- Protégez-le des secousses violentes et évitez tout choc ou toute chute.
- N'utilisez pas le produit au delà des indications mentionnées dans les caractéristiques techniques.
- Tenez les emballages d'appareils hors de portée des enfants, risque d'étouffement.
- Recyclez les matériaux d'emballage conformément aux prescriptions locales en vigueur.
- N'apportez aucune modification à l'appareil. Des modifications vous feraient perdre vos droits de garantie.

Risque d'électrocution

- Ne tentez pas d'ouvrir l'appareil et cessez de l'utiliser en cas de détérioration.
- Cessez de l'utiliser en cas de détérioration de l'adaptateur CA, du câble adaptateur ou du câble d'alimentation.
- Ne tentez pas de réparer l'appareil vous-même ni d'effectuer des travaux d'entretien. Faites appel à des techniciens qualifiés pour effectuer tous les travaux d'entretien.

Avertissement concernant les piles

- Respectez impérativement la polarité des piles (indications + et -) lors de leur insertion dans le boîtier. Risques d'écoulement et d'explosion des piles si tel n'est pas le cas.
- Ne laissez pas des enfants remplacer les piles d'un appareil sans surveillance.
- N'utilisez pas simultanément des piles usagées et des piles neuves ou des piles de différents types.
- Retirez les piles des produits que vous ne comptez pas utiliser pendant un certain temps
- Ne court-circuitez pas les piles.
- Ne tentez pas de recharger les piles.
- Ne jetez pas de piles au feu.
- Conservez les piles hors de portée des enfants.

4. Avant la mise en service

Mise en service de la télécommande

Ouvrez le couvercle du compartiment à piles. Ce compartiment est situé sur la face arrière de la télécommande ; faites glisser le couvercle dans la direction indiquée afin de l'ouvrir.

Deux piles LR03/AAA sont fournies ; insérez ces piles dans le compartiment avant la première mise en service. Veuillez respecter les indications de polarité lors de l'insertion des piles ; la polarité (+ / -) est indiquée à l'intérieur du compartiment.

5. Mise en service

Avertissement

- Branchez l'appareil à une prise de courant appropriée. La prise de courant doit être située à proximité du produit et doit être facilement accessible.
- Mettez le produit hors tension au moyen de l'interrupteur On/Off - si celui-ci n'est pas disponible, débranchez le câble d'alimentation de la prise de courant.
- En cas de prises multiples, veillez à ce que les appareils consommateurs branchés ne dépassent pas la puissance absorbée totale admissible.
- Débranchez l'appareil si vous ne l'utilisez pas sur une période prolongée.

Mise sous tension

- Branchez les cordons d'alimentation de la barre de son et du caisson de graves à des prises de courant.
- Appuyez sur la touche **[POWER]** (1) de la barre de son pour la mettre sous tension. Vous pouvez également appuyer sur la touche **[POWER]** (1) de la télécommande.

Remarque concernant la première mise sous tension

- La barre de son et le caisson de graves sont livrés déjà connectés.
- À la première mise sous tension, la barre de son est en mode "Première configuration de l'appareil" dès que la LED d'état du réseau (5) se met à clignoter.

6. Paramétrage de la barre de son

Remarque

- Vous devrez télécharger l'application Alexa d'Amazon et créer un compte Amazon pour pouvoir utiliser toutes les fonctions du produit. Suivez les instructions de l'application Alexa d'Amazon. Vous trouverez des renseignements supplémentaires sur www.amazon.com.
- Assurez-vous que votre appareil dispose des raccordements nécessaires pour une connexion avec la barre de son. Veuillez consulter, à ce sujet, le mode d'emploi de l'appareil utilisé.

6.1. Téléchargement de l'application Smart Audio de Hama

Remarque

Le produit prend en charge les systèmes d'exploitation suivants :

- iOS 8 ou versions ultérieures
 - Android 4.4.2 ou versions ultérieures
- Ouvrez l'AppStore d'iTunes ou le Play Store de Google sur votre smartphone.
 - Utilisez la fonction de recherche afin de trouver l'application.
 - Téléchargez et installez l'application sur votre smartphone. Suivez les instructions de votre smartphone.

6.2. Première configuration de l'appareil avec l'application Smart Audio de Hama (fonction ALEXA)

Remarque - WiFi (réseau sans fil)

- Veuillez contrôler que le routeur est bien sous tension et qu'une connexion Internet / réseau est bien établie.
 - Activez la connexion Wi-Fi de votre routeur si celle-ci n'est pas encore activée.
 - Si vous avez des questions sur la configuration du routeur, veuillez utiliser le mode d'emploi du routeur pour rechercher des pannes / résoudre des problèmes.
- Assurez-vous que la barre de son est bien en mode de couplage WiFi. La LED d'état du réseau (5) se met à clignoter.
 - Assurez-vous que l'application Smart Audio de Hama est bien installée sur votre smartphone.
 - Ouvrez l'application Smart Audio de Hama et appuyez sur **[CONFIGURE]**.
 - Appuyez ensuite sur **[Add More Speakers]**.
 - Ouvrez les réglages WiFi de votre smartphone en appuyant sur **[OPEN Settings]**.
 - Cherchez la barre de son **Hama SIRIUM4000ABT** dans les réglages WiFi de votre smartphone.
 - Connectez votre smartphone à la barre de son.
 - Ouvrez alors l'application Smart Audio de Hama sur votre smartphone.
 - Sélectionnez le nom du réseau WiFi souhaité (SSID).
 - Saisissez votre clé de réseau, puis confirmez votre saisie en appuyant sur **[Save]**.
 - Confirmez les réglages réalisés en appuyant sur **[CONFIRM]**.
 - La barre de son se connecte au réseau. "Configured Successfully Hama Soundbar" apparaît » s'affiche à l'écran de votre smartphone une fois la connexion établie.
 - La LED d'état du réseau (5) s'allume en bleu en continu.

- Appuyez sur **[Sources]** dans le bas de l'écran pour établir une connexion avec votre compte Amazon.
- Appuyez ensuite sur le bouton **[Amazon Alexa]**.
- Appuyez sur **[Sign in with Amazon]** pour ouvrir le navigateur Web et saisir vos données d'accès.
- Saisissez les données d'accès de votre compte Amazon à l'aide du clavier de votre smartphone.
- Vous pouvez également créer un nouveau compte Amazon en appuyant sur **[Create a new Amazon account]**.
- Une fois connecté, vous serez redirigé vers l'application Smart Audio de Hama.
- Sélectionnez la langue qui devra être utilisée par Alexa.
- Ouvrez l'application Alexa d'Amazon et saisissez à nouveau vos données d'accès.
- Effectuez ensuite vos réglages personnels (fuseau horaire, nom de l'appareil, etc.) dans l'application Alexa d'Amazon. Vous trouverez des renseignements supplémentaires sur www.amazon.com -> Aide et Service après vente.

Remarque - Alexa Push to talk / Fonction Key

- Appuyez brièvement sur la touche **[action / mise en sourdine du microphone]** (3) de la barre de son pour activer Alexa pendant la lecture audio ou augmenter le volume. Vous pouvez également appuyer sur la touche d'action (3) de la télécommande.
- Maintenez la touche **[action / mise en sourdine du microphone]** (3) enfoncée pendant env. 3 secondes pour éteindre le microphone. Vous pouvez également appuyer sur la touche **[MUTE]** (4) de la télécommande : la barre de son ne répondra plus au mot d'activation jusqu'à ce que le microphone soit à nouveau activé. Lorsque le microphone est éteint, la barre de son peut toujours être commandée avec les touches de la barre de son ou de la télécommande.

7. Première connexion Bluetooth (couplage)

Vous pouvez connecter vos appareils à la barre de son via Bluetooth et utiliser la barre de son comme appareil de lecture audio. La commande de la lecture s'effectue directement sur l'appareil ou sur la télécommande. Le volume peut également être réglé directement sur la barre de son.

Remarque – Bluetooth®

- Veuillez contrôler que votre appareil portable (téléphone portable, etc.) est bien compatible Bluetooth®.
 - Veuillez noter que la portée maximale de la connexion Bluetooth® est de 10 mètres sans obstacles tels que parois, personnes, etc.
 - Il est possible que la connexion soit gênée par d'autres appareils/ d'autres connexions Bluetooth® dans votre environnement.
 - La barre de son ne peut être couplée qu'à un seul appareil à la fois.
 - Veuillez noter que la compatibilité dépend des profils Bluetooth® supportés et des versions Bluetooth® utilisées. (voir: Caractéristiques techniques, mode d'emploi de l'appareil utilisé)
- Assurez-vous que votre appareil Bluetooth est bien sous tension et que sa fonction Bluetooth est bien activée.
 - Activez le mode Bluetooth sur la barre de son en appuyant plusieurs fois sur la touche **[MODE]** (2).
 - Vous pouvez également appuyer sur la touche **[Bluetooth]** (13) de la télécommande.
 - La LED d'état Bluetooth (7) se met à clignoter en bleu.
 - Maintenez la touche **[MODE]** (2) enfoncée pendant env. 5 secondes afin d'activer le mode de couplage. La LED d'état Bluetooth (7) se met à clignoter rapidement.
 - Ouvrez les paramètres Bluetooth sur votre appareil, puis patientez jusqu'à ce que **Hama SIRIUM4000ABT** apparaisse dans la liste des appareils Bluetooth détectés.
 - Le cas échéant, lancez une recherche d'appareils Bluetooth sur votre appareil.
 - Sélectionnez **Hama SIRIUM4000ABT** dans la liste des appareils disponibles, puis patientez jusqu'à ce que la barre de son apparaisse en tant que connectée dans les réglages Bluetooth de votre appareil.
 - La LED d'état Bluetooth (7) s'allume alors en bleu en continu.
 - Vous pouvez démarrer et piloter la lecture audio via l'appareil connecté ou la télécommande.

8. Connexion sur Auxiliary Input / Line In

Les entrées audio analogiques (Line In / AUX) vous permettent de connecter des appareils mobiles (smartphones, tablettes, lecteurs MP3, etc.) ainsi que des appareils analogiques plus anciens (lecteurs CD/DVD, etc.) et utiliser la barre de son comme appareil de lecture. Vous pouvez effectuer la connexion soit avec un câble audio de 3,5 mm (jack), soit avec un câble RCA.

Remarque

- Mettez la barre de son hors tension avant de brancher un appareil.
- Faites attention à ne pas plier ni coincer le câble.
- Pour lire un contenu audio via la prise LINE In, branchez votre appareil à la barre de son en insérant un câble RCA dans la prise LINE In (1) et sélectionnez le mode LINE In.
- Pour lire un contenu audio via la prise AUX, branchez votre appareil à la barre de son en insérant un câble audio de 3,5 mm (jack) dans la prise AUX (2) et sélectionnez le mode AUX.
- Appuyez sur la touche **[POWER]** (1) de la barre de son pour la mettre sous tension.
- Activez le mode Line In ou AUX sur la barre de son en appuyant plusieurs fois sur la touche **[MODE]** (2).
- La LED d'état AUX / Line In (9) s'allume en rouge après avoir sélectionné le mode LINE IN ou en bleu après avoir sélectionné le mode AUX.
- Vous pouvez également appuyer sur le bouton [AUX] (12) de la télécommande en cas de branchement avec un câble audio de 3,5 mm (jack) ou sur **[LINE In]** (11) en cas de branchement avec un câble RCA.

9. Connexion en mode Optique / Coaxial

Vous pouvez utiliser les entrées audio numériques de la barre de son pour connecter votre appareil (téléviseur, etc.) et utiliser la barre de son comme appareil de lecture audio. Vous pouvez effectuer la connexion soit avec un câble optique, soit avec un câble coaxial.

Remarque

- Mettez la barre de son hors tension avant de brancher un appareil.
- Avant toute connexion, retirez les capuchons de protection des deux extrémités du câble optique.
- Faites attention à ne pas plier ni coincer le câble.

- Pour une lecture via la connexion optique, branchez le câble optique (fourni) à l'entrée optique (4) de la barre de son et à la sortie optique de votre appareil, puis sélectionnez le mode optique.
- Pour une lecture via la connexion coaxiale, branchez un câble coaxial à l'entrée coaxiale (3) de la barre de son et à la sortie coaxiale de votre appareil, puis sélectionnez le mode coaxial.
- Maintenez la touche **[POWER]** (1) enfoncée pendant env. 3 secondes pour activer la barre de son.
- Activez le mode optique ou le mode coaxial sur la barre de son en appuyant plusieurs fois sur la touche **[MODE]** (2).
- La LED d'état des modes optique / coaxial (8) s'allume en bleu après avoir sélectionné le mode Optique ou en rouge après avoir sélectionné le mode coaxial.
- Vous pouvez également appuyer sur le bouton [Optical In] (16) de la télécommande en cas de branchement avec un câble optique ou **[Coax In]** (10) en cas de branchement avec un câble coaxial.

10. Nettoyage et entretien

- Nettoyez ce produit uniquement à l'aide d'un chiffon non pelucheux légèrement humide ; évitez tout détergent agressif.
- Débranchez l'adaptateur CA de la source de courant si vous ne comptez pas utiliser l'appareil pendant un certain temps. Entrez-le dans un local sec, propre et protégé des rayons directs du soleil.

11. Exclusion de garantie

La société Hama GmbH & Co. KG décline toute responsabilité en cas de dommages provoqués par une installation, un montage ou une utilisation non conformes du produit ou encore provoqués par un non respect des consignes du mode d'emploi et/ou des consignes de sécurité.

12. Service et assistance

En cas de question concernant le produit, veuillez vous adresser au service de conseil produits de Hama.

Ligne téléphonique directe : +49 9091 502-115
(allemand/anglais)

Vous trouverez ici de plus amples informations concernant l'assistance : www.hama.com

13. Consignes de recyclage

Remarques concernant la protection de l'environnement:



Conformément à la directive européenne 2012/19/EU et 2006/66/CE, et afin d'atteindre un certain nombre d'objectifs en matière de protection de l'environnement, les règles suivantes doivent être appliquées: Les appareils électriques et électroniques ainsi que les batteries ne doivent pas être éliminés avec les déchets ménagers. Le pictogramme "picto" présent sur le produit, son manuel d'utilisation ou son emballage indique que le produit est soumis à cette réglementation. Le consommateur doit retourner le produit/la batterie usager aux points de collecte prévus à cet effet. Il peut aussi le remettre à un revendeur. En permettant enfin le recyclage des produits ainsi que les batteries, le consommateur contribuera à la protection de notre environnement. C'est un acte écologique.

14. Déclaration de conformité

CE Le soussigné, Hama GmbH & Co KG, déclare que l'équipement radioélectrique du type [00054843] est conforme à la directive 2014/53/UE. Le texte complet de la déclaration UE de conformité est disponible à l'adresse internet suivante:
www.hama.com -> 00054843 -> Downloads.

Bandes de fréquences	2.412 GHz – 2.483 GHz 2.402 GHz - 2.480 GHz
Puissance de radiofréquence maximale	19.5 dBm EIRP 8 dBm EIRP



Elementos de manejo e indicadores

A Panel de manejo de la Soundbar

1. Tecla [POWER]
2. Tecla [MODE]
3. Tecla [ACCIÓN / SILENCIAR MICRÓFONO]
4. Teclas [VOLUME] +/-
5. LED de estado de red
6. LED de estado de streaming
7. LED de estado de Bluetooth
8. LED de estado óptico/coaxial
9. LED de estado AUX/Line In
10. LED de estado Dolby

B Parte posterior

1. Conector hembra Line In L/R
2. Conector hembra AUX In
3. Conector hembra coaxial
4. Conector hembra Optical In
5. Tecla [PAIRING] de red
6. Reproducción USB
7. Tecla [PAIRING] de subwoofer
8. Cable de corriente
9. Rosca para la fijación al soporte mural

C Mando a distancia

1. Tecla [POWER]
2. Tecla [MUTE]
3. Tecla de acción
4. Tecla [MUTE] de micrófono
5. Teclas [BASS] +/-
6. Teclas [VOLUME] +/-
7. CINEMA
8. MUSIC
9. VOICE
10. Modo COAX IN
11. Modo LINE In
12. Modo AUX In
13. Modo Bluetooth
14. Tecla [FORWARD]
15. Tecla [PLAY/PAUSE]
16. Modo Optical In

D Subwoofer

1. Tecla [PAIRING] de subwoofer

Nota importante - Instrucciones de manejo:

- Éstas son unas instrucciones breves que le facilitan las informaciones básicas importantes, como las indicaciones de seguridad y la puesta en funcionamiento de su producto.
- Por motivos de protección medioambiental y para ahorrar valiosas materias primas, la empresa Hama prescinde de instrucciones de manejo impresas y ofrece éstas únicamente como descarga de PDF / eManual en www.hama.com.
- Para encontrarlas con más facilidad, utilice la función de búsqueda e introduzca como término de búsqueda el número de artículo para llegar a la documentación del producto.
- De forma alternativa, puede acceder a las instrucciones de manejo con el siguiente código QR.
- Guarde estas instrucciones de manejo en su ordenador para fines de consulta e imprímalas de ser posible.

1. Explicación de los símbolos de aviso y de las indicaciones

Aviso

Se utiliza para caracterizar las indicaciones de seguridad o para llamar la atención sobre peligros y riesgos especiales.

Nota

Se utiliza para caracterizar informaciones adicionales o indicaciones importantes.

Peligro de sufrir una descarga eléctrica

Este símbolo hace referencia al peligro de contacto con partes no aisladas del producto que pueden conducir una tensión peligrosa de una intensidad tal que puede provocar una descarga eléctrica.

2. Contenido del paquete

- Soundbar
- Subwoofer
- Mando a distancia
- 2 pilas AAA
- 1 cable de señal óptico
- Fuente de alimentación
- Instrucciones breves

3. Instrucciones de seguridad

- El producto es para el uso doméstico privado, no comercial.
- Proteja el producto de la suciedad, la humedad, el calor excesivo y utilícelo sólo en recintos secos.
- Este producto, como todos los productos eléctricos, no debe estar en manos de los niños.
- No deje caer el producto ni lo someta a sacudidas fuertes.
- No opere el producto fuera de los límites de potencia indicados en los datos técnicos.
- Mantenga el material de embalaje fuera del alcance de los niños, existe peligro de asfixia.
- Deseche el material de embalaje en conformidad con las disposiciones locales sobre el desecho vigentes.
- No realice cambios en el aparato. Esto conllevaría la pérdida de todos los derechos de la garantía.

Peligro de sufrir una descarga eléctrica

- No abra el producto y no lo siga operando de presentar deterioros.
- No utilice el producto si el adaptador de AC, el adaptador del cable o el cable eléctrico están dañados.
- No intente mantener o reparar el producto por cuenta propia. - Encomiende cualquier trabajo de mantenimiento al personal especializado competente.

Aviso – Pilas

- Respete siempre la polaridad correcta (símbolos + y -) de las pilas y colóquelas como corresponda. La no observación de lo anterior conlleva el riesgo de derrame o explosión de las pilas.
- No permita a los niños cambiar las pilas sin la supervisión de una persona adulta.
- No mezcle pilas viejas y nuevas, ni tampoco pilas de tipos o fabricantes diferentes.
- Saque las pilas de los productos que no se vayan a utilizar durante un periodo prolongado de tiempo.
- No cortocircuite las pilas.
- No cargue las pilas.
- No arroje las pilas al fuego.
- Mantenga las pilas fuera del alcance de los niños.

4. Antes de la puesta en funcionamiento

Puesta en funcionamiento del mando a distancia

Retire la cubierta del compartimento de pilas. Esta se encuentra en el lado posterior del mando a distancia y se puede abrir deslizándola en el sentido marcado. El volumen de suministro incluye dos pilas AAA que se deben colocar para poner en funcionamiento el mando a distancia. Asegúrese de colocar las pilas con la polaridad correcta. La polaridad correcta (+ / -) viene marcada en el compartimento de pilas.

5. Puesta en funcionamiento

Aviso

- Utilice el producto sólo en una toma de corriente autorizada. La toma de corriente debe estar colocada cerca del producto y de forma accesible.
- Desconecte el producto de la red eléctrica mediante el interruptor on/off; de no existir éste, desenchufe el cable eléctrico de la toma de corriente.
- En caso de tomas de corriente múltiples, asegúrese de que los consumidores conectados no sobrepasan el consumo total de potencia admisible.
- Desconecte el producto de la red si no va a emplearse durante un tiempo prolongado.

Encender

- Conecte el cable de red de la Soundbar y del subwoofer a tomas de corriente correctamente instaladas.
- Pulse **[POWER]** (1) para encender la Soundbar. Alternativamente, pulse la tecla **[POWER]** (1) del mando a distancia.

Nota – Al encender por primera vez

- En el estado de suministro, la Soundbar y el subwoofer vienen ya sincronizados.
- Cuando se enciende por primera vez, la Soundbar se encuentra en el modo «Primera configuración del dispositivo» en cuanto el LED de estado de red (5) parpadea.

6. Configurar la Soundbar

Nota

- Para poder hacer uso de todo el alcance funcional del producto, se debe descargar además la app Amazon Alexa y se debe crear una cuenta en Amazon. Para hacerlo, siga las instrucciones de la app Amazon Alexa. Encontrará más información en www.amazon.com.
- Asegúrese de que su terminal dispone de las conexiones necesarias para conectarse con la Soundbar. Tenga en cuenta las instrucciones de manejo del terminal utilizado.

6.1. Descargar la app Hama Smart Audio

Nota

Se soportan los siguientes sistemas operativos:

- iOS 8 o superior
 - Android 4.4.2 o superior
- Abra iTunes App Store o Google Play Store en su smartphone.
 - Podrá encontrar la app con la función de búsqueda.
 - Descargue la app normalmente e instálela en su smartphone. Siga las instrucciones de su smartphone.

6.2. Primera configuración del dispositivo con la app Hama Smart Audio (función ALEXA)

Nota - WLAN (red inalámbrica)

- Asegúrese de que el router está encendido y de que se ha establecido una conexión a Internet/a la red.
 - Si no lo ha hecho todavía, active la conexión WLAN de su router.
 - Si surgieran preguntas sobre la configuración del router, emplee las instrucciones de uso del router para detectar el fallo/solucionar el problema.
- Asegúrese de que la Soundbar se encuentra en el modo de sincronización de WLAN. El LED de estado de red (5) parpadea.
 - Asegúrese de que su smartphone tiene instalada la app Hama Smart Audio.
 - Abra la app Hama Smart Audio y toque en **[CONFIGURE]**.
 - Toque a continuación en **[Add More Speakers]**.
 - Abra los ajustes de WLAN de su smartphone tocando en **[OPEN Settings]**.
 - En los ajustes de WLAN de su smartphone, busque la Soundbar **Hama SIRIUM4000ABT**.
 - Conecte su smartphone con la Soundbar.
 - Abra ahora la app Hama Smart Audio en su smartphone.
 - Seleccione el nombre de WLAN (SSID) deseado.
 - Introduzca ahora su clave de red y confirme con **[Save]**.
 - Confirme los ajustes seleccionados tocando en **[CONFIRM]**.
 - La Soundbar se conecta ahora con la red. Cuando se ha establecido con éxito la conexión, en el smartphone se visualiza «Configured Successfully Hama Soundbar».
 - El LED de estado de red (5) luce ahora permanentemente en azul.
 - Toque en **[Sources]** en el borde inferior de la pantalla para establecer una conexión con su cuenta de Amazon.
 - Toque a continuación el botón **[Amazon Alexa]**.
 - Toque en **[Sign in with Amazon]** para abrir el navegador web para la entrada de sus datos de acceso.

- Introduzca los datos de acceso a su cuenta de Amazon con el teclado de su smartphone.
- Alternativamente, puede crear una nueva cuenta de Amazon tocando en [Create a new Amazon account].
- Una vez que haya iniciado sesión correctamente, volverá a la app Hama Smart Audio.
- Selecciónese ahora el idioma con el que Alexa reaccionará en el futuro.
- Abra la app Amazon Alexa e introduzca de nuevo sus datos de acceso.
- Realice seguidamente sus ajustes personales (zona horaria, nombre del dispositivo, etc.) en la app Amazon Alexa. Encontrará más información en www.amazon.com -> Ayuda y Servicio de atención al cliente.

Nota - Tecla de función Alexa Push to talk

- Pulse brevemente la tecla [**Acción / Silenciar micrófono**] (3) en la Soundbar para activar Alexa durante el modo de audio o para subir el volumen. Alternativamente, pulse la tecla de acción (3) del mando a distancia.
- Pulse y mantenga pulsada la tecla [**Acción / Silenciar micrófono**] (3) durante aprox. 3 segundos para desconectar el micrófono. Alternativamente, pulse la tecla [**MUTE**] (4) del mando a distancia. La Soundbar deja de reaccionar a la palabra de activación hasta que el micrófono se active de nuevo. Si el micrófono está desconectado, la Soundbar se puede seguir manejando mediante las teclas de la Soundbar o del mando a distancia.

7. Conexión inicial Bluetooth (sincronización)

Puede conectar sus terminales a la Soundbar vía Bluetooth y emplearla como dispositivo de reproducción para señales de audio. En tal caso, el control de la reproducción se realiza directamente desde el terminal o el mando a distancia. El volumen se puede regular también directamente en la Soundbar.

Nota – Bluetooth®

- Compruebe si su terminal móvil (smartphone, tableta, etc.) es compatible con Bluetooth®.
 - Tenga en cuenta que el alcance de la tecnología Bluetooth® es de máx. 10 metros, en ausencia de obstáculos, como pueden ser las paredes, personas, etc.
 - Pueden producirse interferencias en la conexión debido a otros dispositivos o conexiones Bluetooth® presentes en el entorno.
 - La Soundbar solo puede sincronizarse con un único terminal.
 - Tenga en cuenta que la compatibilidad depende de los perfiles Bluetooth® compatibles y de las versiones Bluetooth® empleadas. (Véase: Datos técnicos, instrucciones de manejo del terminal empleado)
- Asegúrese de que su terminal compatible con Bluetooth está encendido y de que se ha activado Bluetooth.
 - Active el modo Bluetooth pulsando repetidamente la tecla [**MODE**] (2) en la Soundbar.
 - Alternativamente, pulse [Bluetooth] (13) en el mando a distancia.
 - El LED de estado Bluetooth (7) empieza a parpadear.
 - Pulse y mantenga pulsada la tecla [**MODE**] (2) durante aprox. 5 segundos para activar el modo de sincronización. El LED de estado Bluetooth (7) empieza a parpadear rápido.
 - Abra la configuración Bluetooth en su terminal y espere hasta que se muestre **Hama SIRIUM4000ABT** en la lista de los dispositivos Bluetooth encontrados.
 - De ser necesario, inicie la búsqueda de dispositivos Bluetooth desde su terminal.
 - Seleccione la Soundbar **Hama SIRIUM4000ABT** en la lista de los dispositivos disponibles y espere hasta que la Soundbar aparezca como conectada en la configuración de Bluetooth de su terminal.
 - El LED de estado Bluetooth (7) luce ahora permanentemente en azul.
 - Inicie y controle la reproducción de audio según corresponda mediante el terminal o el mando a distancia.

8. Conexión mediante Auxiliary Input/Line In

Las entradas de audio analógicas (Line In/ AUX) le permiten conectar a la Soundbar terminales móviles (p. ej. smartphone, tablet PC, reproductor de MP3, etc.) así como otras fuentes analógicas menos modernas (reproductores de CD/DVD, etc.), además de permitirle reproducir su señal de audio a través de la Soundbar. Para ello puede elegir entre la conexión mediante un cable de audio de 3,5 mm (cable con jack) o un cable RCA.

Nota

- Apague la Soundbar antes de conectar un terminal a la misma.
- No doble ni aplaste el cable.
- Para la reproducción mediante la conexión LINE In, conecte su terminal con la Soundbar mediante el conector hembra LINE In (1) y un cable RCA y seleccione el modo LINE In.
- Para la reproducción mediante la conexión AUX, conecte su terminal con la Soundbar mediante el conector hembra AUX (2) y un cable de audio de 3,5 mm y seleccione el modo AUX.
- Pulse **[POWER]** (1) para encender la Soundbar.
- Active el modo Line In o AUX pulsando repetidamente la tecla **[MODE]** (2) en la Soundbar.
- El LED de estado AUX /Line In (9) luce en rojo cuando se selecciona el modo LINE IN o en azul cuando se selecciona el modo AUX.
- Alternativamente, pulse **[AUX]** (12) en el mando a distancia si la conexión se ha realizado mediante un cable de audio de 3,5 mm (cable con jack) o **[LINE In]** (11) si la conexión se ha realizado mediante un cable RCA.

9. Conexión mediante cable óptico / coaxial

Las entradas de audio digitales de la Soundbar le permiten conectar su terminal (p. ej. televisor) y reproducir su señal de audio mediante la Soundbar. Para ello puede elegir entre la conexión mediante un cable de señal óptico o un cable coaxial.

Nota

- Apague la Soundbar antes de conectar un terminal a la misma.
- Antes de proceder a la conexión, retire las caperuzas protectoras que se encuentran en ambos extremos del cable de señal óptico.
- No doble ni aplaste el cable.

- Para la reproducción mediante la conexión de audio óptica, conecte el cable de señal óptico (volumen de suministro) a la entrada de audio óptica (4) de la Soundbar y a la salida de audio óptica de su terminal y seleccione el modo Optical.
- Para la reproducción mediante la conexión de audio coaxial, conecte el cable coaxial a la entrada de audio coaxial (3) de la Soundbar y a la salida de audio coaxial de su terminal y seleccione el modo Coaxial.
- Pulse y mantenga pulsada la tecla **[POWER]** (1) durante aprox. 3 segundos para encender la Soundbar.
- Active el modo Optical o Coaxial pulsando repetidamente la tecla **[MODE]** (2) en la Soundbar.
- El LED de estado Optical/Coaxial (8) luce en azul cuando se han seleccionado el modo Optical o en rojo cuando se ha seleccionado el modo Coaxial.
- Alternativamente, pulse **[Optical In]** (16) en el mando a distancia si la conexión se ha realizado mediante un cable de señal óptico o **[Coax In]** (10) si la conexión se ha realizado mediante un cable coaxial.

10. Mantenimiento y cuidado

- Limpie este producto sólo con un paño ligeramente humedecido que no deje pelusas y no utilice detergentes agresivos.
- Si no va a utilizar el producto durante un periodo prolongado de tiempo, apague el aparato y desconéctelo de la alimentación de corriente. Guárdelo en un lugar limpio y seco que no esté expuesto a la radiación directa del sol.

11. Exclusión de responsabilidad

Hama GmbH & Co KG no se responsabiliza ni concede garantía por los daños que surjan por una instalación, montaje o manejo incorrectos del producto o por la no observación de las instrucciones de manejo y/o de las instrucciones de seguridad.

12. Servicio y soporte

Si tiene que hacer alguna consulta sobre el producto, diríjase al asesoramiento de productos Hama.
Línea directa: +49 9091 502-115 (Alemán/Inglés)
Encontrar más información de soporte aquí:
www.hama.com

13. Instrucciones para desecho y reciclaje

Nota sobre la protección medioambiental:



Después de la puesta en marcha de la directiva Europea 2012/19/EU y 2006/66/EU en el sistema legislativo nacional, se aplicara lo siguiente: Los aparatos eléctricos y electrónicos, así como las baterías, no se deben evacuar en la basura doméstica. El usuario está legalmente obligado a llevar los aparatos eléctricos y electrónicos, así como pilas y pilas recargables, al final de su vida útil a los puntos de recogida comunales o a devolverlos al lugar donde los adquirió. Los detalles quedaran definidos por la ley de cada país. El símbolo en el producto, en las instrucciones de uso o en el embalaje hace referencia a ello. Gracias al reciclaje, al reciclaje del material o a otras formas de reciclaje de aparatos/pilas usados, contribuye Usted de forma importante a la protección de nuestro medio ambiente.

14. Declaración de conformidad

CE Por la presente, Hama GmbH & Co KG, declara que el tipo de equipo radioeléctrico [00054843] es conforme con la Directiva 2014/53/UE. El texto completo de la declaración UE de conformidad está disponible en la dirección Internet siguiente:
www.hama.com -> 00054843 -> Downloads.

Banda o bandas de frecuencia	2.412 GHz – 2.483 GHz 2.402 GHz - 2.480 GHz
Potencia máxima de radiofrecuencia	19.5 dBm EIRP 8 dBm EIRP

00054843



Органы управления и индикации

А Панель управления звуковой панели

1. Кнопка [POWER] (Питание)
2. Кнопка [MODE] (Режим)
3. Кнопка [Командная кнопка / отключение микрофона]
4. Кнопки [VOLUME] (Громкость) +/-
5. Светодиодный индикатор сети
6. Светодиодный индикатор потоковой передачи
7. Светодиодный индикатор Bluetooth/USB-соединения
8. Светодиодный индикатор оптического/коаксиального соединения
9. Светодиодный индикатор AUX/Line In
10. Светодиодный индикатор режима Dolby

В Задняя панель

1. Разъем Line In, левый/правый
2. Разъем AUX-In
3. Коаксиальный разъем
4. Разъем Optical In
5. Кнопка [PAIRING] (Сопряжение) сети
6. Воспроизведение с USB-носителя
7. Кнопка [PAIRING] (Сопряжение) низкочастотного громкоговорителя
8. Кабель питания
9. Резьба для крепления на настенный кронштейн

С Пульт дистанционного управления

1. Кнопка [POWER] (Питание)
2. Кнопка [MUTE] (Выключение звука)
3. Командная кнопка
4. Кнопка [MUTE] (Выключение звука) микрофона
5. Кнопки [BASS] (Низкие частоты) +/-
6. Кнопки [VOLUME] (Громкость) +/-
7. CINEMA (Кинотеатр)
8. MUSIC (Музыка)
9. VOICE (Голос)
10. Режим COAX IN
11. Режим LINE In
12. Режим AUX In
13. Режим Bluetooth
14. Кнопка [FORWARD] (Переход к следующей композиции)
15. [PLAY/PAUSE] (ВоспроизВЕДЕНИЕ/ПАУЗА)
16. РЕЖИМ OPTICAL IN

D Низкочастотный громкоговоритель

1. Кнопка [Pairing] (Сопряжение) низкочастотного громкоговорителя

Важное примечание — Руководство по эксплуатации:

- Это краткое руководство, в котором содержатся важные базовые сведения, такие как указания по технике безопасности и вводу в эксплуатацию устройства.
- Из соображений охраны окружающей среды и экономии ценных сырьевых ресурсов фирма Hama отказывается от использования печатных руководств по эксплуатации и предлагает их исключительно для загрузки в формате PDF или в виде электронного руководства на сайте www.hama.com.
- Чтобы легче найти нужную информацию, используйте функцию поиска. В строке поиска введите номер изделия, чтобы получить доступ к документации по этому изделию.
- Кроме того, для получения доступа к руководству по эксплуатации можно использовать указанный ниже QR-код.
- Сохраните настоящее руководство по эксплуатации на компьютере, чтобы при необходимости всегда была возможность им воспользоваться, и по возможности распечатайте его.

1. Предупредительные пиктограммы и инструкции

Внимание

Данным знаком отмечены инструкции, несоблюдение которых может привести к опасной ситуации.

Примечание

Дополнительная или важная информация.

Опасность поражения электрическим током

Значок предупреждает об опасности поражения высоким напряжением в случае касания неизолированных токоведущих деталей.

2. Комплект поставки

- Звуковая панель
- Низкочастотный громкоговоритель
- Пульт дистанционного управления
- 2 батареи AAA
- Оптический сигнальный кабель, 1 шт.
- Блок питания
- Краткое руководство

3. Техника безопасности

- Изделие предназначено только для домашнего применения.
- Беречь от грязи, влаги и перегрева. Эксплуатировать только в сухих помещениях.
- Не давать детям!
- Не ронять. Беречь от сильных ударов.
- Соблюдать технические характеристики.
- Упаковку не давать детям: опасность асфиксии.
- Утилизировать упаковку в соответствии с местными нормами.
- Запрещается вносить изменения в конструкцию. В противном случае гарантийные обязательства аннулируются.

Опасность поражения током

- Изделие не открывать. Запрещается эксплуатировать неисправное изделие.
- Запрещается эксплуатация при неисправном блоке питания или поврежденном кабеле питания.
- Запрещается самостоятельно выполнять техническое обслуживание или ремонт устройства. Любые работы по техническому обслуживанию или ремонту разрешается выполнять только квалифицированному персоналу.

Предупреждение — Батареи

- Загружая батареи, соблюдайте полярность (+ и -). Несоблюдение полярности может стать причиной вытекания или взрыва батарей.
- Детям запрещается заменять батареи без присмотра взрослых.
- Не применять батареи разных типов, разных производителей или новые и старые батареи вместе.
- В случае большого перерыва в эксплуатации извлечь батареи из устройства.
- Не закорачивать контакты батарей.
- Обычные батареи не заряжать.
- Не бросать батареи в огонь.
- Хранить батареи в месте, недоступном для детей.

4. Действия перед началом работы

Подготовка пульта ДУ к использованию

Снимите крышку отсека для батареек. Она находится с обратной стороны пульта ДУ и сдвигается в направлении, указанном стрелкой. В комплект поставки входят две батарейки AAA, которые перед началом работы необходимо вставить в отсек для батареек. При вставке батареек соблюдайте полярность. Правильное положение полюсов батареек (+/-) обозначено на схеме в отсеке.

5. Ввод в эксплуатацию



Внимание

- Разрешается подключать только к соответствующей розетке электросети. Розетка электросети должна находиться рядом с устройством в легко доступном месте.
- Для отключения устройства используйте кнопку питания. При ее отсутствии извлеките вилку кабеля питания из розетки.
- При подключении к колодке с несколькими розетками убедитесь, что общая мощность потребителей не превышает допустимую.
- Если устройство не используется в течение длительного времени, отключите его от электросети.

Включение

- Подключите кабели питания звуковой панели и низкочастотного громкоговорителя к надлежащим образом смонтированным розеткам.
- Нажмите кнопку **[POWER]** (Питание) (1), чтобы включить звуковую панель. Можно также нажать кнопку **[POWER]** (Питание) (1) на пульте дистанционного управления.



Примечание касательно первого включения

- При поставке низкочастотный громкоговоритель подключен к звуковой панели.
- При первом включении звуковая панель работает в режиме «Первая настройка», пока пульсирует светодиодный индикатор сети (5).

6. Настройка звуковой панели



Примечание

- Для использования всех функций изделия необходимо дополнительно загрузить приложение Amazon Alexa и создать учетную запись Amazon. Следуйте инструкциям приложения Amazon Alexa. Более подробные сведения см. на сайте www.amazon.com.
- Убедитесь в том, что ваше внешнее устройство имеет необходимые разъемы для подключения к звуковой панели. Для получения более подробной информации смотрите инструкцию по эксплуатации устройства.

6.1. Загрузка приложения Nama Smart Audio



Примечание

Совместимость с операционными системами:

- iOS 8 и более поздние
 - Android 4.4.2 и более поздние
- Откройте iTunes AppStore или Google Play Store в зависимости от марки смартфона.
 - Для поиска приложения воспользуйтесь поиском.
 - Загрузите и установите приложение на смартфоне обычным образом. Следуйте инструкциям на смартфоне.

6.2. Настройка устройства с приложением Nama Smart Audio (функция ALEXA)



Примечание - WLAN (беспроводная сеть)

- Убедитесь, что маршрутизатор включен, и установлено соединение с интернетом.
 - При необходимости включите на маршрутизаторе беспроводное соединение WLAN.
 - Смотрите инструкцию по эксплуатации маршрутизатора, в том числе главу по поиску и устранению неисправностей.
- Убедитесь в том, что звуковая панель работает в режиме сопряжения с WLAN. Светодиодный индикатор сети (5) пульсирует.
 - Убедитесь в том, что на вашем смартфоне установлено приложение Nama Smart Audio.
 - Откройте приложение Nama Smart Audio и нажмите кнопку **[CONFIGURE]** (Настройка).
 - Выберите пункт **[Add More Speakers]** (Добавить громкоговорители).
 - Откройте настройки WLAN на своем смартфоне, нажав **[OPEN Settings]** (Открыть настройки).
 - В настройках WLAN своего смартфона найдите звуковую панель **Nama SIRIUM4000AVT**.
 - Подключите смартфон к звуковой панели.
 - Откройте приложение Nama Smart Audio на смартфоне.
 - Выберите имя WLAN (SSID).
 - Введите код беспроводной сети и подтвердите с помощью кнопки **[Save]** (Сохранить).
 - Подтвердите настройки с помощью кнопки **[CONFIRM]** (Подтвердить).
 - Звуковая панель подключается к сети. После успешного подключения на смартфоне появится сообщение **Configured Successfully Nama Soundbar** (Звуковая панель Nama настроена).
 - Светодиодный индикатор сети (5) светится непрерывным синим светом.
 - Нажмите кнопку **[Sources]** (Источники) у нижнего края экрана для создания учетной записи Amazon.

- Затем нажмите кнопку **[Amazon Alexa]**.
- Нажмите **[Sign in with Amazon]** (Вход в систему Amazon), чтобы открыть браузер для ввода учетных данных.
- С помощью клавиатуры смартфона введите данные для доступа к учетной записи Amazon.
- Можно также создать новую учетную запись Amazon, нажав **[Create a new Amazon account]** (Создать новую учетную запись Amazon).
- После успешного входа в систему снова открывается приложение Hama Smart Audio.
- Выберите язык, на котором будет отвечать Alexa.
- Откройте приложение Amazon Alexa и повторно введите данные для доступа.
- Выполните персональные настройки (часовой пояс, имя устройства и т. п.) в приложении Amazon Alexa. Более подробные сведения см. на сайте www.amazon.com. -> Справка и служба поддержки.

Примечание - Alexa Push to talk / функциональная кнопка

- Коротким нажатием кнопки **[Командная кнопка / отключение микрофона]** (3) на звуковой панели активируйте Alexa или громкий звук во время воспроизведения. Можно также нажать командную кнопку (3) на пульте дистанционного управления.
- Для выключения микрофона нажмите и удерживайте кнопку **[Командная кнопка / отключение микрофона]** (3) в течение примерно 3 с. Можно также нажать кнопку **[MUTE]** (Отключение звука) (4) на пульте дистанционного управления. Звуковая панель не будет реагировать на слова активации до включения микрофона. Если микрофон выключен, звуковой панелью можно управлять с помощью кнопок или пульта дистанционного управления.

7. Согласование устройств по протоколу Bluetooth

По технологии Bluetooth можно подключать внешние устройства к звуковой панели и использовать ее в качестве устройства воспроизведения. Для управления воспроизведением используется внешнее устройство или пульт дистанционного управления. Громкость можно регулировать непосредственно на звуковой панели.

Примечание – Bluetooth®

- Убедитесь, что ваше портативное устройство (смартфон, планшет и т. д.) поддерживает технологию Bluetooth.
 - Обратите внимание, что максимальный радиус действия Bluetooth® составляет макс. 10 м без учета препятствий (стен, людей и т. д.).
 - Другие устройства с поддержкой Bluetooth®, находящиеся поблизости, могут создавать помехи.
 - Звуковую панель можно одновременно использовать только с одним внешним устройством.
 - Обратите внимание, что совместимость зависит от поддерживаемых профилей Bluetooth® и используемых версий Bluetooth® (см. технические характеристики и инструкцию по эксплуатации портативного устройства).
- Включите устройство воспроизведения и активируйте на нем Bluetooth.
 - Активируйте режим Bluetooth, несколько раз нажав кнопку **[MODE]** (Режим) (2) на звуковой панели.
 - Можно также нажать кнопку **[Bluetooth]** (13) на пульте дистанционного управления.
 - Светодиодный индикатор Bluetooth-соединения (7) начинает пульсировать.
 - Нажмите и удерживайте кнопку **[MODE]** (Режим) (2) в течение примерно 5 с, чтобы активировать режим сопряжения. Светодиодный индикатор Bluetooth-соединения (7) начинает быстро мигать.
 - Откройте настройки Bluetooth на внешнем устройстве и в списке найдите устройство **Hama SIRIUM4000ABT**.
 - При необходимости запустите поиск устройств с поддержкой Bluetooth® на внешнем устройстве.
 - Выберите звуковую панель **Hama SIRIUM4000ABT** в списке доступных устройств и подождите, пока звуковая панель не отобразится как подключенное устройство в настройках Bluetooth внешнего устройства.
 - Светодиодный индикатор Bluetooth (7) светится непрерывным синими светом.
 - Для запуска воспроизведения и управления используется внешнее устройство или пульт дистанционного управления.

8. Подключение через вспомогательный/линейный вход

Через аналоговые аудиовходы (Line In/ AUX) можно подключить к звуковой панели мобильные устройства (например, смартфон, планшетный ПК, MP3-плеер и т. п.), а также более старые источники аналогового сигнала (CD-/DVD-плееры и т. п.) и воспроизводить их сигнал через звуковую панель. Для этого можно использовать аудиокабель с разъемом 3,5 мм или кабель с разъемом «тюльпан».

Примечание

- Перед подключением внешнего устройства выключите питание звуковой панели.
- Кабель не сгибать и не зажимать.
- Для воспроизведения через разъем LINE In подключите внешнее устройство к разъему LINE In (1) звуковой панели с помощью кабеля с разъемом «тюльпан» и выберите режим LINE In.
- Для воспроизведения через разъем AUX подключите внешнее устройство к разъему AUX (2) звуковой панели с помощью аудиокабеля с разъемом 3,5 мм и выберите режим AUX.
- Нажмите кнопку [POWER] (Питание) (1), чтобы включить звуковую панель.
- Активируйте режим Line In или AUX, несколько раз нажав кнопку [MODE] (Режим) (2) на звуковой панели.
- Светодиодный индикатор AUX /Line In (9) светится красным, если выбран режим LINE IN, а синим, если выбран режим AUX.
- Можно также нажать кнопку [AUX] (12) на пульте дистанционного управления при подключении с помощью аудиокабеля 3,5 мм или [LINE In] (11) при подключении с помощью кабеля с разъемом «тюльпан».

9. Соединение с помощью оптического/коаксиального аудиокабеля

Через цифровые входы звуковой панели можно подключать внешние устройства (например, телевизор) и воспроизводить их сигнал через звуковую панель. Для этого можно использовать оптический сигнальный или коаксиальный кабель.

Примечание

- Перед подключением внешнего устройства выключите питание звуковой панели.
- Перед подключением снимите защитные колпачки с обоих концов оптического сигнального кабеля.
- Кабель не сгибать и не зажимать.

- Для воспроизведения через оптический аудиовход подключите оптический сигнальный кабель (входит в комплект поставки) к оптическому аудиовходу (4) звуковой панели и к оптическому аудиовыходу внешнего устройства, и выберите оптический режим.
- Для воспроизведения через коаксиальный аудиовход подключите коаксиальный кабель к коаксиальному аудиовыходу (3) звуковой панели и к коаксиальному аудиовыходу внешнего устройства, и выберите коаксиальный режим.
- Нажмите и удерживайте кнопку [POWER] (Питание) (1) в течение примерно 3 с, чтобы включить звуковую панель.
- Активируйте оптический или коаксиальный режим, несколько раз нажав кнопку [MODE] (Режим) (2) на звуковой панели.
- Светодиодный индикатор оптического/коаксиального режима (8) светится синим, если выбран оптический режим, и красным, если выбран коаксиальный режим.
- Можно также нажать кнопку [Optical In] (16) на пульте дистанционного управления при подключении с помощью оптического кабеля или [Coax In] (10) при подключении с помощью коаксиального кабеля.

10. Уход и техобслуживание

- Чистку изделия производить только безворсовой слегка влажной салфеткой. Запрещается применять агрессивные чистящие средства.
- Если изделие не используется на протяжении долгого времени, выключите его и отключите от сети. Храните его в чистом сухом месте, недоступном для прямого солнечного излучения.

11. Отказ от гарантийных обязательств

Компания Hama GmbH & Co. KG не несет ответственность за ущерб, возникший вследствие неправильного монтажа, подключения и использования изделия не по назначению, а также вследствие несоблюдения инструкции по эксплуатации и техники безопасности.

12. Отдел техобслуживания

По вопросам ремонта или замены неисправных изделий обращайтесь к продавцу или в сервисную службу компании Hama.

Горячая линия отдела техобслуживания:
+49 9091 502-115 (немецкий, английский)
Подробнее смотрите здесь: www.hama.com

13. Инструкции по утилизации

Охрана окружающей среды:



С момента перехода национального законодательства на европейские нормативы 2012/19/EU и 2006/66/EU действительно следующее: Электрические и электронные приборы, а также батареи запрещается утилизировать с обычным мусором. Потребитель, согласно закону, обязан утилизировать электрические и электронные приборы, а также батареи и аккумуляторы после их использования в специально предназначенных для этого пунктах сбора, либо в пунктах продажи. Детальная регламентация этих требований осуществляется соответствующим местным законодательством. Необходимость соблюдения данных предписаний обозначается особым значком на изделии, инструкции по эксплуатации или упаковке. При переработке, повторном использовании материалов или при другой форме утилизации бывших в употреблении приборов Вы помогаете охране окружающей среды. В соответствии с предписаниями по обращению с батареями, в Германии вышеназванные нормативы действуют для утилизации батарей и аккумуляторов.

14. Декларация производителя

CE Настоящим компания Hama GmbH & Co KG заявляет, что радиооборудование типа [00054843] отвечает требованиям директивы 2014/53/ЕС. С полным текстом декларации о соответствии требованиям ЕС можно ознакомиться здесь:
www.hama.com -> 00054843 -> Downloads.

Диапазон/диапазоны частот	2.412 GHz – 2.483 GHz 2.402 GHz - 2.480 GHz
Максимальная излучаемая мощность	19.5 dBm EIRP 8 dBm EIRP

00054843



Elementi di comando e indicazioni

A Campo di controllo soundbar

1. Tasto [POWER]
2. Tasto [MODE]
3. Tasto [Azione / Mute Microfono]
4. Tasti [VOLUME] +/-
5. LED di stato della rete
6. LED di stato dello streaming
7. LED di stato Bluetooth/USB
8. LED di stato ottico/coassiale
9. LED di stato AUX/Line in
10. LED di stato Dolby

B Lato posteriore

1. Presa Line in L/R
2. Presa AUX In
3. Presa coassiale
4. Presa con fibra ottica
5. Tasto [PAIRING] rete
6. Playback USB
7. Tasto [PAIRING] subwoofer
8. Cavo di rete
9. Filettatura per il fissaggio a parete

C Telecomando

1. Tasto [POWER]
2. Tasto [MUTE]
3. Tasto azione
4. Tasto [MUTE] microfono
5. Tasti [BASS] +/-
6. Tasti [VOLUME] +/-
7. CINEMA
8. MUSIC
9. VOICE
10. Modalità COAX-IN
11. Modalità LINE In
12. Modalità AUX
13. Modalità Bluetooth
14. Tasto [FORWARD]
15. Tasto [PLAY/PAUSE]
16. Modalità Optical In

D Subwoofer

1. Tasto [PAIRING] subwoofer



Avvertenza importante - istruzioni per l'uso:

- Queste istruzioni brevi forniscono informazioni di base importanti come le avvertenze di sicurezza e la messa in esercizio del prodotto.
- Per ragioni di tutela ambientale e per il risparmio di preziose materie prime, l'azienda Hama ha deciso di non stampare le istruzioni per l'uso e le mette a disposizione esclusivamente in PDF / eManual da scaricare all'indirizzo www.hama.com.
- Per trovare velocemente la documentazione relativa all'articolo desiderato, utilizzare la funzione di ricerca immettendo come chiave di ricerca il numero di articolo.
- In alternativa è possibile reperire le istruzioni per l'uso con il seguente QR-Code.
- Salvare queste istruzioni per l'uso sul computer per una successiva consultazione ed eventualmente stamparle.

1. Spiegazione dei simboli di avvertimento e delle indicazioni

Attenzione

Viene utilizzato per contrassegnare le indicazioni di sicurezza oppure per rivolgere l'attenzione verso particolari rischi e pericoli.

Nota

Viene utilizzato per contrassegnare informazioni supplementari o indicazioni importanti.

Pericolo dovuto a scossa elettrica

Questo simbolo indica un pericolo dovuto al contatto con parti non isolate del prodotto che potrebbero provocare una tensione pericolosa di entità tale da generare il pericolo di una scossa elettrica.

2. Contenuto della confezione

- Soundbar
- Subwoofer
- Telecomando
- 2 batterie AAA
- 1x cavo in fibra ottica per segnale
- Alimentatore
- Istruzioni brevi

3. Indicazioni di sicurezza:

- Il prodotto è concepito per l'uso domestico privato, non commerciale.
- Proteggere il prodotto da sporcizia, umidità e surriscaldamento e utilizzarlo soltanto in ambienti asciutti.
- Tenere questo apparecchio, come tutte le apparecchiature elettriche, fuori dalla portata dei bambini!
- Non fare cadere il prodotto e non sottoporlo a forti scossoni!
- Non mettere in esercizio il prodotto al di fuori dei suoi limiti di rendimento indicati nei dati tecnici.
- Tenere l'imballo fuori dalla portata dei bambini, pericolo di soffocamento!
- Smaltire immediatamente il materiale d'imballaggio attenendosi alle prescrizioni locali vigenti.
- Non apportare modifiche all'apparecchio per evitare di perdere i diritti di garanzia.

Pericolo dovuto a scossa elettrica

- Non aprire il prodotto e non utilizzarlo più se danneggiato
- Non utilizzare il prodotto se l'adattatore AC, il cavo adattatore o il cavo di rete sono danneggiati.
- Non tentare di aggiustare o riparare l'apparecchio da soli. Fare eseguire qualsiasi lavoro di riparazione al personale specializzato competente.

Attenzione – Batterie

- Attenersi sempre alla corretta polarità (scritte + e -) delle batterie e inserirle di conseguenza. La mancata osservanza comporta la perdita di potenza o il rischio di esplosione delle batterie.
- I bambini possono sostituire le batterie solo sotto la sorveglianza degli adulti.
- Non utilizzare batterie di tipi o costruttori diversi, né mischiare batterie vecchie e nuove.
- Togliere sempre le batterie dai prodotti che non vengono utilizzati per un lungo periodo (a meno che non vengano tenuti a portata di mano per un'emergenza)
- Non cortocircuitare le batterie.
- Non caricare le batterie.
- Non gettare le batterie nel fuoco.
- Conservare le batterie al di fuori della portata dei bambini

4. Prima della messa in funzione

Messa in funzione del telecomando

Aprire il coperchio del vano batterie. Esso si trova sul retro del telecomando e può essere aperto spingendolo nella direzione contrassegnata.

In dotazione sono comprese due batterie AAA che devono essere inserite nel vano batterie per la messa in funzione. Durante l'inserimento delle batterie, prestare attenzione alla polarità corretta. La polarità corretta è indicata da (+ / -) nel vano batterie.

5. Messa in funzione

Attenzione

- Collegare il prodotto solo a una presa di rete appositamente omologata. La presa deve trovarsi nei pressi del prodotto ed essere facilmente accessibile.
- Scollegare il prodotto dall'alimentazione con l'interruttore on/off. Se questo non è presente, staccare la spina dalla presa elettrica.
- Se si utilizzano prese multiple, prestare attenzione che le utenze collegate non superino la potenza totale assorbita.
- Scollegare la radio dalla presa di rete se non la si utilizza per lungo tempo.

Accensione

- Collegare il cavo di rete del dispositivo soundbar e del dispositivo subwoofer a una presa installata correttamente.
- Per accendere il dispositivo soundbar, premere **[POWER]** (1). In alternativa premere il tasto **[POWER]** (1) del telecomando.

Nota – Prima accensione

- La soundbar e il subwoofer vengono forniti già collegati tra di loro.
- Durante la prima accensione la soundbar si trova in modalità "prima accensione del dispositivo" non appena il LED di stato della rete (5) inizia a lampeggiare.

6. Impostazione della soundbar

Nota

- Per sfruttare al massimo tutte le funzioni del prodotto è necessario scaricare la app aggiuntiva Amazon Alexa e creare un account Amazon. Seguire attentamente le istruzioni per l'installazione della app Amazon Alexa. Per ulteriori informazioni visitare il sito www.amazon.com
- Assicurarsi che il dispositivo sia dotato delle prese necessarie per il collegamento con la soundbar. A questo proposito consultare le istruzioni per l'uso del terminale utilizzato.

6.1. Scaricamento della app Hama Smart Audio

Nota

Sono supportati i seguenti sistemi operativi

- iOS 8 o superiore
 - Android 4.4.2 o superiore
- Aprire sullo smartphone o iTunes AppStore oppure Google Play Store.
 - Per trovare la app utilizzare la funzione di ricerca.
 - Scaricare la app e installarla normalmente nello smartphone. Seguire attentamente le istruzioni per l'installazione dello smartphone.

6.2. Prima impostazione del dispositivo con la app Hama Smart Audio (funzione ALEXA)

Nota Wi-Fi (rete wireless)

- Accertarsi che il router sia acceso, che funzioni correttamente e che la connessione Internet sia attiva.
 - Se non è già attiva, attivare la connessione WLAN del proprio router.
 - In caso di domande sulla configurazione del router, consultare il manuale d'istruzioni del router per la ricerca degli errori/la soluzione dei problemi.
- Assicurarsi che la sound bar si trovi in modalità pairing con il Wi-Fi. Il LED di stato della rete (5) lampeggia.
 - Assicurarsi che la app Hama Smart Audio sia stata installata nello smartphone.
 - Aprire la app Hama Smart Audio e attivare la funzione **[CONFIGURE]**.
 - Toccare poi la voce **[Add More Speakers]**.
 - Aprire le impostazioni Wi-Fi dello smartphone toccando la voce **[OPEN Settings]**.
 - Nelle impostazioni Wi-Fi dello smartphone cercare la soundbar **Hama SIRIUM4000ABT**.
 - Collegare la soundbar allo smartphone.
 - Aprire adesso la app Hama Smart Audio sullo smartphone.
 - Selezionare il nome desiderato della W (SSID).
 - Inserire la chiave di rete e poi confermare con [Save].
 - Per confermare le impostazioni selezionate toccare **[CONFIRM]**.
 - La soundbar si collegherà alla rete. Dopo il corretto collegamento sullo smartphone sarà visualizzato il messaggio "Configured Successfully Hama Soundbar".
 - Il LED di stato di rete (5) blu rimarrà acceso.
 - Toccare la voce **[Sources]** che si trova nella parte inferiore dello schermo. Serve per generare un account Amazon.
 - Toccare quindi il pulsante **[Amazon Alexa]**.
 - Toccare **[Sign in with Amazon]**, per inserire i dati di accesso attraverso il browser web.

- Inserire i dati di accesso dell'account di Amazon utilizzando la tastiera dello smartphone.
- In alternativa è possibile creare un nuovo account Amazon toccando la voce **[Create a new Amazon account]**.
- Dopo aver completato l'accesso tornare alla app Hama Smart Audio.
- Selezionare la lingua in base alla quale Alexa dovrà comunicare.
- Aprire la app Amazon Alexa e inserire nuovamente i dati di accesso.
- Eseguire quindi le impostazioni personali (fuso orario, nome dispositivo, ecc.) nella app Amazon Alexa. Per ulteriori informazioni visitare il sito www.amazon.com -> Aiuto e servizio clienti.

Nota Alexa push to talk / Pulsante funzione

- Premere brevemente il tasto **[Azione / Mute Microfono]** (3) della soundbar per attivare Alexa durante la riproduzione audio o quando si aumenta il volume. In alternativa premere il tasto azione (3) del telecomando.
- Premere e mantenere premuto il tasto **[Azione / Mute Microfono]** (3) per circa 3 secondi per impostare il microfono. In alternativa premere il tasto **[MUTE]** (4) del telecomando. La soundbar non reagirà più al comando vocale fino a quando il microfono non sarà riattivato. Se il microfono è spento, la soundbar potrà essere controllata con i suoi tasti o con il telecomando.

7. Prima connessione Bluetooth (pairing)

Il Bluetooth consente di connettere i propri terminali al dispositivo soundbar e di utilizzarlo come riproduttore per segnali audio. Il controllo e la riproduzione viene così comandata direttamente dal terminale o tramite il telecomando. Il volume può essere regolato direttamente dalla soundbar.

Nota – Bluetooth®

- Verificare che il proprio terminale mobile (smartphone, tablet ecc.) sia compatibile Bluetooth®.
 - Ricordare che la portata massima del Bluetooth® è 10 metri senza ostacoli, come per esempio possono essere le pareti e o le persone.
 - Può accadere che il collegamento venga disturbato da altri apparecchi/conessioni Bluetooth® presenti nell'ambiente.
 - Il dispositivo soundbar può essere accoppiato sempre e soltanto con un unico terminale.
 - Attenzione: la compatibilità dipende dai profili Bluetooth® supportati e dalle versioni del Bluetooth® Bluetooth®. (vedi: Dati tecnici, istruzioni per l'uso del terminale utilizzato)
- Accertarsi che il vostro terminale compatibile Bluetooth, sia acceso e che il Bluetooth sia attivato.
 - Per attivare la modalità Bluetooth premere ripetutamente **[MODE]** (2) sul dispositivo soundbar.
 - In alternativa premere **[Bluetooth]** (13) sul telecomando.
 - Il LED di stato blu del Bluetooth (7) inizia a lampeggiare.
 - Premere e mantenere premuto **[MODE]** (2) per circa 5 secondi per attivare la modalità pairing. Il LED di stato del Bluetooth (7) inizia a lampeggiare velocemente.
 - Aprire le impostazioni Bluetooth sul terminale e attendere finché nell'elenco degli apparecchi Bluetooth trovati non venga visualizzato il dispositivo **Hama SIRIUM4000ABT**.
 - Avviare eventualmente la ricerca di apparecchi Bluetooth sul proprio terminale.
 - Scegliere il dispositivo **Hama SIRIUM4000ABT** nell'elenco degli apparecchi trovati e attendere che il dispositivo soundbar appaia come collegato via Bluetooth nelle impostazioni del terminale.
 - Il LED di stato del Bluetooth (7) blu rimarrà acceso.
 - Avviare e gestire la riproduzione audio attraverso il rispettivo terminale collegato o il telecomando.

8. Collegamento tramite ingresso/line in ausiliario

È possibile collegare i dispositivi mobili (ad es. smartphone, tablet, MP3 Player ecc.) ed altre fonti analogiche (CD-/DVD Player) alla soundbar tramite l'ingresso analogico audio (Line In/ AUX). In questo modo sarà possibile attivare la riproduzione audio tramite la soundbar. A riguardo è possibile selezionare tra un cavo audio da 3,5 mm (cavo jack) o un cavo cinch.

Nota

- Spegnere il dispositivo soundbar prima di collegare un terminale.
- Non piegare, né schiacciare il cavo.
- Per la riproduzione tramite la connessione LINE collegare il terminale alla presa LINE In (1) della soundbar per mezzo del cavo cinch e selezionare la modalità LINE In.
- Per la riproduzione tramite la connessione AUX collegare il terminale alla presa AUX (2) della soundbar per mezzo del cavo da 3,5 mm (cavo jack) e selezionare la modalità AUX.
- Per accendere alla soundbar premere **[POWER]** (1).
- Attivare la modalità Line oppure AUX premendo ripetutamente il tasto **[MODE]** (2) della soundbar.
- Il LED di stato rosso AUX /Line In (9) si accende quando viene selezionata la modalità LINE IN e blu quando viene selezionata la modalità AUX.
- In alternativa premere **[AUX]** (12) del telecomando in caso di collegamento tramite cavo audio da 3,5 mm (cavo jack) oppure il cavo cinch **[LINE In]** (11).

9. Collegamento tramite cavo ottico/coassiale

È possibile collegare l'uscita audio della soundbar al terminale (ad es. console per videogiochi, TV ecc.) e riprodurre il segnale audio tramite la soundbar. A riguardo è possibile selezionare tra un cavo audio ottico o coassiale.

Nota

- Spegnere il dispositivo soundbar prima di collegare un terminale.
- Prima del collegamento staccare il cappuccio protettivo dalle estremità del cavo di segnale ottico.
- Non piegare, né schiacciare il cavo.

- Per la riproduzione tramite il collegamento audio ottico collegare il cavo relativo (in dotazione) all'ingresso ottico (4) della soundbar e all'uscita audio del terminale. Selezionare la modalità ottica.
- Per la riproduzione tramite il collegamento audio coassiale collegare il cavo relativo (in dotazione) all'ingresso coassiale (3) della soundbar e all'uscita audio del terminale. Selezionare la modalità coassiale.
- Premere e mantenere premuto **[POWER]** (1) per circa 3 secondi per accendere la soundbar.
- Attivare la modalità Ottica o Coassiale premendo ripetutamente il tasto **[MODE]** (2) della soundbar.
- Il LED di stato blu ottico/coassiale (8) si accende quando viene selezionata la modalità ottica e rosso con la modalità coassiale.
- In alternativa premere **[Optical In]** (16) del telecomando in caso di collegamento tramite cavo ottico e **[Coax In]** (10) con un collegamento con cavo coassiale.

10. Cura e manutenzione

- Pulire questo prodotto solo con un panno umido e che non lascia pelucchi e non utilizzare mai detergenti aggressivi.
- Se non si utilizza il prodotto per un lungo periodo di tempo, spegnere il dispositivo e scollegarlo dalla rete elettrica. Conservarlo. In un luogo pulito, asciutto e lontano dalla luce diretta del sole.

11. Esclusione di garanzia

Hama GmbH & Co.KG non si assume alcuna responsabilità per i danni derivati dal montaggio o l'utilizzo scorretto del prodotto, nonché dalla mancata osservanza delle istruzioni per l'uso e/o delle indicazioni di sicurezza.

12. Assistenza e supporto

In caso di domande sul prodotto, rivolgersi alla Consulenza prodotto Hama.

Hotline: +49 9091 502-115 (ted./ing.)

Ulteriori informazioni sul supporto sono disponibili qui:

www.hama.com

13. Indicazioni di smaltimento

Informazioni per protezione ambientale:



Dopo l'implementazione della Direttiva Europea 2012/19/EU e 2006/66/EU nel sistema legale nazionale, ci sono le seguenti applicazioni: Le apparecchiature elettriche ed elettroniche e le batterie non devono essere smaltite con i rifiuti domestici. I consumatori sono obbligati dalla legge a restituire i dispositivi elettrici ed elettronici e le batterie alla fine della loro vita utile ai punti di raccolta pubblici preposti per questo scopo o nei punti vendita. Dettagli di quanto riportato sono definiti dalle leggi nazionali di ogni stato. Questo simbolo sul prodotto, sul manuale d'istruzioni o sull'imballo indicano che questo prodotto è soggetto a queste regole. Riciclando, ri-utilizzando i materiali o utilizzando sotto altra forma i vecchi prodotti/le batterie, darete un importante contributo alla protezione dell'ambiente.

14. Dichiarazione di conformità

CE Il fabbricante, Hama GmbH & Co KG, dichiara che il tipo di apparecchiatura radio [00054843] è conforme alla direttiva 2014/53/UE. Il testo completo della dichiarazione di conformità UE è disponibile al seguente indirizzo Internet: www.hama.com -> 00054843 -> Downloads.

Bande di frequenza	2.412 GHz – 2.483 GHz 2.402 GHz - 2.480 GHz
Massima potenza a radiofrequenza trasmessa	19.5 dBm EIRP 8 dBm EIRP



00054843

Bedieningselementen en indicaties**A Bedieningsveld soundbar**

1. [POWER]-toets
2. [MODE]-toets
3. [Actie / Microfoon Mute]-toets
4. [VOLUME] +/- -toetsen
5. Statusledje netwerk
6. Statusledje streaming
7. Statusledje Bluetooth/USB
8. Statusledje optisch/coaxiaal
9. Statusledje AUX/Line In
10. Statusledje Dolby

B Achterzijde

1. Line IN-poort L/R
2. AUX IN-poort
3. Coaxiale poort
4. Optical IN-poort
5. [PAIRING]-toets netwerk
6. USB Playback
7. [PAIRING]-toets subwoofer
8. Voedingskabel
9. Schroefdraad voor de bevestiging aan de wandhouder

C Afstandsbediening

1. [POWER]-toets
2. [MUTE]-toets
3. Actie-toets
4. [MUTE]-toets microfoon
5. [BASS] +/- -toetsen
6. [VOLUME] +/- -toetsen
7. CINEMA
8. MUSIC
9. VOICE
10. COAX IN-modus
11. LINE IN-modus
12. AUX IN-modus
13. Bluetooth-modus
14. [FORWARD]-toets
15. [PLAY/PAUSE]-toets
16. Optical IN-modus

D Subwoofer

1. [PAIRING]-toets subwoofer

**Belangrijke aanwijzing - bedieningsinstructies:**

- Dit zijn beknopte bedieningsinstructies, waarin u belangrijke basisinformatie, zoals veiligheidsinstructies en de inbedrijfstelling van uw product, kunt lezen.
- In het kader van de milieubescherming en daarmee het besparen op waardevolle grondstoffen laat de firma Hama bedieningsinstructies in drukvorm achterwege en biedt deze uitsluitend als PDF-download / eManual onder www.hama.com aan.
- Maak gebruik van de zoekfunctie teneinde de bedieningsinstructies eenvoudiger te vinden en voer als zoekbegrip het artikelnummer in teneinde de productinformatie te bereiken.
- Alternatief bereikt u de bedieningsinstructies met de hieronder vermelde QR-code.
- Sla deze bedieningsinstructies op uw computer op als naslagwerk voor op een later tijdstip of print deze naar mogelijkheid.

1. Verklaring van waarschuwingssymbolen en instructies



Waarschuwing

Wordt gebruikt voor veiligheidsinstructies of om de aandacht te trekken op bijzondere gevaren en risico's.



Aanwijzing

Wordt gebruikt voor extra informatie of belangrijke informatie.



Gevaar voor een elektrische schok

Dit symbool duidt op gevaar bij aanraking van niet-geïsoleerde onderdelen van het product, welke mogelijk onder een zodanig gevaarlijke spanning staan, dat het gevaar voor een elektrische schok aanwezig is.

2. Inhoud van de verpakking

- Soundbar
- Subwoofer
- Afstandsbediening
- 2x AAA-formaat batterijen
- 1x optische signaalkabel
- Voedingsadapter
- Beknopte bedieningsinstructies

3. Veiligheidsinstructies

- Het product is bedoeld voor het privé-, niet zakelijke, gebruik in huiselijke kring.
- Toestel beschermen tegen vuil, vocht en oververhitting. Alleen in droge ruimtes opstellen.
- Dit product dient, zoals alle elektrische producten, buiten het bereik van kinderen te worden gehouden!
- Laat het product niet vallen en stel het niet bloot aan zware schokken of stoten.
- Gebruik het product niet buiten de in de technische gegevens vermelde vermogensgrenzen.
- Het verpakkingsmateriaal mag absoluut niet in handen van kinderen komen; verstikkingsgevaar.
- Het verpakkingsmateriaal direct en overeenkomstig de lokaal geldende afvoervoorschriften afvoeren.
- Wijzig niets aan het toestel. Daardoor vervalt elke aanspraak op garantie.



Gevaar voor een elektrische schok

- Open het product niet en gebruik het niet meer bij beschadigingen.
- Gebruik het product niet indien de AC-adapter, de adapterkabel of de voedingskabel is beschadigd.
- Probeer het product niet zelf te onderhouden of te repareren. Laat onderhouds- en reparatiewerkzaamheden door vakpersoneel uitvoeren.



Waarschuwing - batterijen

- Let er altijd op dat u de batterijen met de polen in de juiste richting plaatst (opschrift + en -). Indien de batterijen verkeerd worden geplaatst kunnen deze gaan lekken of zelfs exploderen.
- Laat kinderen nooit zonder toezicht batterijen vervangen.
- Gebruik geen oude en nieuwe batterijen tegelijkertijd alsmede geen batterijen van een verschillende soort of fabrikaat.
- Verwijder batterijen uit producten die gedurende langere tijd niet worden gebruikt.
- De batterijen niet kortsluiten.
- De batterijen niet opladen.
- De batterijen niet in vuur werpen.
- Batterijen buiten het bereik van kinderen opbergen.

4. Vóór de inbedrijfstelling

Afstandsbediening in gebruik nemen

Verwijder het deksel van het batterijvak. Deze bevindt zich op de achterzijde van de afstandsbediening en kan door te schuiven in de gemarkeerde richting worden geopend. Er zijn twee AAA-batterijen bij de levering inbegrepen welke nu in het batterijvak dienen te worden geplaatst. Let bij het plaatsen van de batterijen op de juiste polariteit. De juiste polariteit (+) en (-) is in het batterijvak gemarkeerd.

5. Inbedrijfstelling



Waarschuwing

- Sluit het product alleen aan op een daarvoor geschikt en intact stopcontact. Het stopcontact moet in de buurt van het product zijn aangebracht en goed bereikbaar zijn.
- Het product met behulp van de schakelaar In/Uit van het net scheiden – indien deze niet ter beschikking is, de stekker uit het stopcontact trekken.
- Let erop dat bij meervoudige stopcontacten de aangesloten verbruikers niet het toegestane totale opgenomen vermogen overschrijden.
- Indien het product gedurende langere tijd niet wordt gebruikt, dan dient u dit van het spanningsnet te scheiden.

Inschakelen

- Sluit de voedingskabels van de soundbar en van de subwoofer op correct geïnstalleerde stopcontacten aan.
- Druk op **[POWER]** (1) om de Soundbar in te schakelen. Druk als alternatief op de **[POWER]**-toets (1) op de afstandsbediening.



Aanwijzing – bij de eerste maal inschakelen

- Bij levering zijn de soundbar en subwoofer reeds verbonden.
- Bij de eerste maal inschakelen bevindt de soundbar zich in de modus „Eerste configuratie van het toestel” zodra het statusledje netwerk (5) knippert.

6. Configureren van de soundbar



Aanwijzing

- Om van alle functies van het product gebruik te kunnen maken, dient bovendien de Amazon Alexa app te worden gedownload, evenals een Amazon account te worden aangemaakt. Volg hiervoor de aanwijzingen in de Amazon Alexa app op. Meer informatie over dit onderwerp vindt u onder www.amazon.com.
- Controleer dat uw eindtoestel over de benodigde aansluitpunten voor de verbinding met de soundbar beschikt. Raadpleeg in dit geval de bedieningsinstructies van het door u gebruikte eindapparaat.

6.1. Downloaden van de Hama Smart Audio app



Aanwijzing

De volgende besturingssystemen worden ondersteund:

- iOS 8 of hoger
 - Android 4.4.2 of hoger
- Open de iTunes AppStore of Google Play Store op uw smartphone.
 - Met behulp van de zoekfunctie kunt u de app vinden.
 - De app zoals gebruikelijk downloaden en deze op uw smartphone installeren. Volg hiervoor de aanwijzingen van uw smartphone op.

6.2. Het apparaat de eerste maal configureren met de Hama Smart Audio app (ALEXA-functie)



Aanwijzing - WLAN (draadloos netwerk)

- Controleer of de router is ingeschakeld en er een verbinding met het internet/netwerk is.
 - Activeer, indien dit nog niet is gedaan, de WLAN-verbinding van uw router.
 - Raadpleeg bij vragen over de configuratie van de router de handleiding van de router voor het oplossen van problemen.
- Controleer of de soundbar zich in de WLAN-pairing-modus bevindt. Het statusledje Netwerk (5) knippert.
 - Controleer of de Hama Smart Audio app op uw smartphone is geïnstalleerd.
 - Open de Hama Smart Audio app en tip **[CONFIGURE]** aan.
 - Tip aansluitend **[Add More Speakers]** aan.
 - Open de WLAN-instellingen van uw smartphone door **[OPEN Settings]** aan te tippen.
 - Zoek in de WLAN-instellingen van uw smartphone naar de soundbar **Hama SIRIUM4000ABT**.
 - Verbindt u uw smartphone met de soundbar.
 - Open nu de Hama Smart Audio app op uw smartphone.
 - Selecteer de gewenste WLAN-naam (SSID).
 - Voer nu uw netwerkcode in en bevestig met **[Save]**.
 - Bevestig de geselecteerde instellingen door **[CONFIRM]** aan te tippen.
 - De soundbar maakt nu verbinding met het netwerk. Na een succesvolle verbinding wordt „Configured Succesfully Hama Soundbar” op de smartphone weergegeven.
 - Het statusledje netwerk (5) brandt nu constant blauw.
 - Tip op de onderste beeldschermrand **[Sources]** aan om een verbinding met uw Amazon-account tot stand te brengen.
 - Tip vervolgens de button **[Amazon Alexa]** aan.
 - Tip nu **[Sign in with Amazon]** aan om de webbrowsers voor het invoeren van uw inloggegevens te openen.

- Voer met het toetsenbord van uw smartphone de inloggegevens van uw Amazon-account in.
- Als alternatief kunt u door **[Create a new Amazon account]** aan te tippen een nieuw Amazon-account aanmaken.
- Na een succesvolle aanmelding keert u weer terug naar de Hama Smart Audio app.
- Selecteer nu de taal waarop Alexa vanaf nu dient te reageren.
- Open de Amazon Alexa app en voer opnieuw uw inloggegevens in.
- Voer aansluitend uw persoonlijke instellingen (tijdzone, naam van het apparaat enz.) in de Amazon Alexa-app uit. Meer informatie over dit onderwerp vindt u onder www.amazon.com -> Help en klantenservice.

Aanwijzing Alexa Push to talk/ Function Key

- Druk kort op de **[Actie / Microfoon Mute]** -toets (3) op de soundbar om Alexa tijdens de audiomodus resp. een hoog geluidsvolume te activeren. Druk als alternatief op de Actie-toets (3) op de afstandsbediening.
- Houd de **[Aktion / Mikrophon Mute]** -toets (3) gedurende ca. 3 seconden ingedrukt om de microfoon uit te schakelen. Druk als alternatief op de **[MUTE]**-toets (4) op de afstandsbediening. De soundbar reageert nu niet meer op het activeringswoord totdat de microfoon weer wordt geactiveerd. Indien de microfoon is uitgeschakeld, kan de soundbar nog steeds via de toetsen op de soundbar of op de afstandsbediening worden bediend.

7. De eerste maal een Bluetooth-verbinding tot stand brengen (pairing/koppelen)

Via Bluetooth kunt u uw eindapparaten met de soundbar verbinden en deze gebruiken als player voor audiosignalen. De regeling van de weergave wordt daarbij direct via het eindtoestel of de afstandsbediening uitgevoerd.. Het geluidsvolume kan tevens direct op de soundbar worden geregeld.

Aanwijzing – Bluetooth®

- Controleer of uw mobiele eindtoestel (smartphone, tablet-pc, enz.) is uitgerust met een Bluetooth-functie.
 - Houd er rekening mee dat het bereik van Bluetooth® max. 10 meter bedraagt, zonder hindernissen zoals wanden, personen, enz.
 - Het kan gebeuren dat de verbinding wordt verstoord door andere Bluetooth®-apparatuur/verbindingen in de omgeving.
 - De Soundbar kan altijd maar aan één eindapparaat worden gekoppeld.
 - Houd er rekening mee dat de compatibiliteit afhankelijk is van de ondersteunde Bluetooth® profielen en de gebruikte Bluetooth® versies. (zie: technische gegevens, bedieningsinstructies van het gebruikte eindtoestel)
-
- Controleer dat uw Bluetooth-geschikt eindapparaat is ingeschakeld en dat de Bluetooth-functie is geactiveerd.
 - Activeer de Bluetooth-modus door bij herhaling op de **[MODE]**-toets (2) te drukken op de soundbar.
 - Druk als alternatief op **[Bluetooth]** (13) op de afstandsbediening.
 - Het statusledje Bluetooth (7) begint blauw te knipperen.
 - Houdt u de **[MODE]**-toets (2) gedurende ca. 5 seconden ingedrukt teneinde de pairing-modus te activeren. • Het statusledje Bluetooth (7) begint snel te knipperen.
 - Open de Bluetooth-instellingen op uw eindapparaat en wacht totdat in de lijst van gevonden Bluetooth-apparatuur **Hama SIRIUM4000ABT** wordt weergegeven.
 - Start zo nodig het zoeken naar Bluetooth-apparatuur op uw eindapparaat.
 - Selecteer de soundbar **Hama SIRIUM4000ABT** in de lijst van beschikbare apparatuur en wacht totdat de soundbar als zijnde verbonden in de Bluetooth-instellingen van uw eindapparaat wordt weergegeven.
 - Het statusledje Bluetooth (7) brandt nu continu blauw.
 - Start en regel de audioweergave via het eindtoestel of de afstandsbediening.

8. Verbinding via AUX-IN / LINE IN

Via de analoge audio-ingangen (AUX IN / LINE IN) kunt u mobiele eindapparaten (bijv. smartphone, tablet-pc, MP3-speler enz.) evenals oudere analoge bronnen (CD-/DVD-speler enz.) op de soundbar aansluiten en hun audiosignaal via de soundbar weergeven. Hiervoor kunt u kiezen tussen de aansluiting via een audiokabel 3,5 mm (stereokabel) of via een cinch-kabel.

Aanwijzing

- Schakel de soundbar uit voordat u een eindapparaat daarop aansluit.
- De kabel niet knikken of inklemmen.
- Verbind ten behoeve van een weergave via de LINE IN-aansluiting uw eindapparaat via de LINE IN-poort (1) door middel van een cinch-kabel met de soundbar en selecteer vervolgens de LINE IN-modus.
- Verbind ten behoeve van een weergave via de AUX IN-aansluiting uw eindtoestel via de AUX IN-poort (2) door middel van een audiokabel 3,5 mm (stereokabel) met de soundbar en selecteer vervolgens de AUX IN-modus.
- Druk op **[POWER]** (1) om de soundbar in te schakelen.
- Activeer door bij herhaling op de **[MODE]**-toets (2) te drukken op de soundbar de LINE IN- resp. AUX IN-modus.
- Het statusledje AUX / LINE IN (9) brandt rood indien de LINE IN-modus werd geselecteerd resp. blauw indien de AUX IN-modus werd geselecteerd.
- Druk als alternatief op **[AUX]** (12) op de afstandsbediening bij een verbinding via een audiokabel van 3,5 mm (stereokabel) resp. **[LINE IN]** (11) bij een verbinding via een cinch-kabel.

9. Verbinding via optisch/coaxiaal

Via de digitale audio-ingangen van de soundbar kunt u uw eindapparaat (bijv. tv-toestel) aansluiten en het audiosignaal daarvan via de soundbar weergeven. Hiervoor kunt u kiezen tussen de aansluiting via een optische signaalkabel of via een coaxkabel.

Aanwijzing

- Schakel de soundbar uit voordat u een eindapparaat daarop aansluit.
- Verwijder vóór het aansluiten de beschermkapjes van beide uiteinden van de optische signaalkabel.
- De kabel niet knikken of inklemmen.

- Sluit ten behoeve van een weergave via de optische audio-aansluiting de optische signaalkabel (bij de levering inbegrepen) op de optische audio-ingang (4) van de soundbar en op de optische audio-uitgang van uw eindapparaat aan en selecteer de Optical-modus.
- Sluit ten behoeve van een weergave via de coaxiale audio-aansluiting een coaxkabel op de coaxiale audio-ingang (3) van de soundbar en op de coaxiale audio-uitgang van uw eindapparaat aan en selecteer de Coaxial-modus.
- Houd de **[POWER]**-toets (1) gedurende ca. 3 seconden ingedrukt om de soundbar in te schakelen.
- Activeer door bij herhaling op de **[MODE]**-toets (2) te drukken op de soundbar de Optical-modus resp. de Coaxial-modus.
- Het statusledje Optical/Coaxial (8) brandt blauw indien de Optical-modus werd geselecteerd resp. rood indien de Coaxial-modus werd geselecteerd.
- Druk als alternatief op **[Optical In]** (16) op de afstandsbediening bij een verbinding via een optische signaalkabel resp. **[Coax In]** (10) bij een verbinding via een coaxkabel.

10. Onderhoud en verzorging

- Reinig dit product alleen met een pluisvrije, iets vochtige doek en gebruik geen agressieve reinigers.
- Indien u het product gedurende langere tijd niet gebruikt, dan schakelt u het toestel uit en trekt de stekker uit het stopcontact. Berg het toestel op een schone, droge plaats op alwaar het niet aan directe zonnestraling wordt blootgesteld.

11. Uitsluiting van garantie en aansprakelijkheid

Hama GmbH & Co. KG aanvaardt geen enkele aansprakelijkheid of garantieclaims voor schade of gevolgschade, welke door ondeskundige installatie, montage en ondeskundig gebruik van het product ontstaan of het resultaat zijn van het niet in acht nemen van de bedieningsinstructies en/of veiligheidsinstructies.

12. Service en support

Neem bij vragen over het product contact op met de afdeling Productadvies van HAMA.
Hotline: +49 9091 502-115 (Duits/Engels)
Meer support-informatie vindt u hier:
www.hama.com

13. Aanwijzingen over de afvalverwerking

Notitie aangaande de bescherming van het milieu:



Ten gevolge van de invoering van de Europese Richtlijn 2012/19/EU en 2006/66/EU in het nationaal juridisch systeem, is het volgende van toepassing: Elektrische en elektronische

apparatuur, zoals batterijen mag niet met het huisvuil weggegooid worden. Consumenten zijn wettelijk verplicht om elektrische en elektronische apparaten zoals batterijen op het einde van gebruik in te dienen bij openbare verzamelplaatsen speciaal opgezet voor dit doeleinde of bij een verkooppunt. Verdere specificaties aangaande dit onderwerp zijn omschreven door de nationale wet van het betreffende land. Dit symbool op het product, de gebruiksaanwijzing of de verpakking duidt erop dat het product onderworpen is aan deze richtlijnen. Door te recyclen, hergebruiken van materialen of andere vormen van hergebruiken van oude toestellen/batterijen, levert u een grote bijdrage aan de bescherming van het milieu.

14. Conformiteitsverklaring

CE Hama GmbH & Co. KG verklaart hierbij dat dit toestel zich in overeenstemming met de essentiële eisen en aan de overige relevante bepalingen van de Richtlijn 2014/53/EU bevindt. De conformiteitsverklaring overeenkomstig de desbetreffende Richtlijn vindt u onder www.hama.com
-> 00054843 -> Downloads.

Frequentieband(en)	2.412 GHz – 2.483 GHz 2.402 GHz - 2.480 GHz
Maximaal radiofrequent vermogen	19.5 dBm EIRP 8 dBm EIRP

00054843



Στοιχεία χειρισμού και ενδείξεις**A Ταμπλό χειρισμού ηχόμπαρας**

1. Πλήκτρο [POWER]
2. Πλήκτρο [MODE]
3. Πλήκτρο [Aktion / Mikrophon Mute]
4. Πλήκτρα [VOLUME] +/-
5. Λυχνία LED κατάστασης δικτύου
6. Λυχνία LED κατάστασης ροής
7. Λυχνία LED κατάστασης σύνδεσης Bluetooth/USB
8. Λυχνία LED κατάστασης οπτικής/ομοαξονικής εισόδου
9. Λυχνία LED κατάστασης εισόδου AUX/Line In
10. Λυχνία LED κατάστασης Dolby

B Πίσω πλευρά

1. Υποδοχή Line In L/R
2. Υποδοχή εισόδου AUX
3. Υποδοχή ομοαξονικής εισόδου
4. Υποδοχή οπτικής εισόδου
5. Πλήκτρο [PAIRING] δικτύου
6. Αναπαραγωγή μέσω USB
7. Πλήκτρο [PAIRING] subwoofer
8. Υποδοχή καλωδίου ρεύματος
9. Βιδωτοί πείροι για στερέωση στο στήριγμα τοίχου

C Τηλεχειριστήριο

1. Πλήκτρο [POWER]
2. Πλήκτρο [MUTE]
3. Πλήκτρο ενεργειών
4. Πλήκτρο [MUTE] μικροφώνου
5. Πλήκτρα [BASS] +/-
6. Πλήκτρα [VOLUME] +/-
7. CINEMA
8. MUSIC
9. VOICE
10. Λειτουργία εισόδου COAX IN
11. Λειτουργία εισόδου LINE In
12. Λειτουργία εισόδου AUX
13. Λειτουργία Bluetooth
14. Πλήκτρο [FORWARD]
15. Πλήκτρο [PLAY/PAUSE]
16. Λειτουργία οπτικής εισόδου

D Subwoofer

1. Πλήκτρο [PAIRING] subwoofer

**Σημαντική υπόδειξη - Εγχειρίδιο χειρισμού:**

- Αυτό είναι ένας σύντομος οδηγός που σας παρέχει σημαντικές πληροφορίες όπως οδηγίες ασφαλείας και οδηγίες έναρξης χρήσης της συσκευής.
- Για λόγους προστασίας του περιβάλλοντος και εξοικονόμησης πολύτιμων πρώτων υλών η εταιρεία Hama δεν παρέχει εκτυπωμένο εγχειρίδιο χειρισμού και το προσφέρει αποκλειστικά ως αρχείο PDF για ηλεκτρονική λήψη από τη διεύθυνση www.hama.com.
- Για εύκολη ανεύρεση χρησιμοποιήστε τη λειτουργία αναζήτησης και ως λήμμα δώστε τον κωδικό συσκευής ώστε να εντοπίσετε το εγχειρίδιο της συσκευής.
- Εναλλακτικά θα βρείτε το εγχειρίδιο χειρισμού με τον παρακάτω κωδικό QR.
- Αποθηκεύστε αυτό το εγχειρίδιο στον υπολογιστή σας και εκτυπώστε το εφόσον το επιθυμείτε.

1. Επεξήγηση συμβόλων προειδοποίησης και υποδείξεων

Προειδοποίηση

Χρησιμοποιείται για τη σήμανση υποδείξεων ασφαλείας ή για να επιστήσει την προσοχή σε ιδιαίτερους κινδύνους.

Υπόδειξη

Χρησιμοποιείται για τη σήμανση επιπλέον πληροφοριών ή σημαντικών υποδείξεων.

Κίνδυνος ηλεκτροπληξίας

Αυτό το σύμβολο προειδοποιεί για κίνδυνο από επαφή με μη μονωμένα εξαρτήματα του προϊόντος, τα οποία μπορεί να φέρουν τόση τάση ώστε να προκληθεί ηλεκτροπληξία.

2. Περιεχόμενα συσκευασίας

- Ηχώμπαρα
- Subwoofer
- Τηλεχειριστήριο
- 2x μπαταρίες AAA
- 1x καλώδιο οπτικού σήματος
- Τροφοδοτικό
- Σύντομες οδηγίες

3. Υποδείξεις ασφαλείας

- Η συσκευή προορίζεται για οικιακή χρήση και όχι για επαγγελματική.
- Προστατεύετε τη συσκευή από βρομιά, υγρασία και υπερθέρμανση και χρησιμοποιείτε τη μόνο σε στεγνούς χώρους.
- Αυτή η συσκευή όπως και οι άλλες ηλεκτρικές συσκευές δεν είναι παιχνίδι για τα παιδιά!
- Η συσκευή δεν επιτρέπεται να πέφτει κάτω, ούτε και να δέχεται δυνατά χτυπήματα.
- Μην χρησιμοποιείτε τη συσκευή εκτός των ορίων απόδοσης που περιγράφονται στα τεχνικά χαρακτηριστικά.
- Τα παιδιά δεν επιτρέπεται να έρχονται σε επαφή με τα υλικά της συσκευασίας, υπάρχει κίνδυνος ασφυξίας.
- Απορρίψτε κατευθείαν τα υλικά συσκευασίας σύμφωνα με τους ισχύοντες τοπικούς κανονισμούς απόρριψης.
- Μην κάνετε μετατροπές στη συσκευή. Σε τέτοια περίπτωση η εγγύηση παύει να ισχύει.

Κίνδυνος ηλεκτροπληξίας

- Μην ανοίγετε τη συσκευή και μην τη χρησιμοποιείτε αν χαλάσει.
- Μην χρησιμοποιείτε τη συσκευή αν έχουν υποστεί ζημιά ο μετασχηματιστής, το καλώδιο του μετασχηματιστή ή το καλώδιο του ρεύματος.
- Μην επιχειρήσετε να συντηρήσετε ή να επισκευάσετε τη συσκευή εσείς οι ίδιοι. Οι εργασίες συντήρησης πρέπει να γίνονται από εξειδικευμένα άτομα.

Προειδοποίηση - Μπαταρίες

- Προσέχετε οπωσδήποτε τη σωστή πολικότητα των μπαταριών (σύμβολα + και -) και την αντίστοιχη τοποθέτηση. - Η μη τήρηση μπορεί να οδηγήσει σε διαρροή υγρού ή σε έκρηξη των μπαταριών.
- Τα παιδιά δεν επιτρέπεται να αλλάζουν μπαταρίες χωρίς επίβλεψη.
- Μην μερδεύετε παλιές και καινούριες μπαταρίες, καθώς και μπαταρίες διαφορετικού τύπου και κατασκευαστή.
- Αφαιρείτε τις μπαταρίες από συσκευές που δεν θα χρησιμοποιηθούν για μεγάλο χρονικό διάστημα.
- Μην βραχυκυκλώνετε τις μπαταρίες.
- Μην φορτίζετε τις απλές μπαταρίες.
- Μην πετάτε τις μπαταρίες στη φωτιά.
- Φυλάττε τις μπαταρίες μακριά από παιδιά.

4. Πριν την έναρξη χρήσης

Έναρξη χρήσης του τηλεχειριστηρίου

Ανοίξτε το κάλυμμα της θήκης μπαταριών. Βρίσκεται στην πίσω πλευρά του τηλεχειριστηρίου και μπορείτε να το ανοίξετε σπρώχνοντάς το προς τη σημειωμένη κατεύθυνση. Στη συσκευασία παράδοσης περιλαμβάνονται δύο μπαταρίες AAA που πρέπει να τις τοποθετήσετε μέσα στη θήκη μπαταριών. Κατά την τοποθέτηση των μπαταριών προσέξτε τη σωστή πολικότητα. Η προκαθορισμένη πολικότητα (+ / -) είναι σημειωμένη στη θήκη μπαταριών.

5. Έναρξη χρήσης

Προειδοποίηση

- Το προϊόν πρέπει να λειτουργεί μόνο συνδεδεμένο σε κατάλληλη πρίζα. Η πρίζα πρέπει να βρίσκεται κοντά στο προϊόν και να είναι εύκολα προσβάσιμη.
- Αποσυνδέστε το προϊόν από το ρεύμα μέσω του γενικού διακόπτη – αν δεν υπάρχει διακόπτης τραβήξτε το καλώδιο ρεύματος από την πρίζα.
- Στα πολύπριζα προσέξτε ώστε οι συνδεδεμένες συσκευές να μην ξεπερνούν την επιτρεπόμενη συνολική κατανάλωση ισχύος.
- Αποσυνδέστε το προϊόν από το δίκτυο ρεύματος, εάν δεν πρόκειται να το χρησιμοποιήσετε για μεγάλο χρονικό διάστημα.

Ενεργοποίηση

- Συνδέστε το καλώδιο ρεύματος της ηχώμπαρας και του subwoofer σε κατάλληλη πρίζα ρεύματος.
- Πατήστε το πλήκτρο **[POWER]** (1), για να ενεργοποιήσετε την ηχώμπαρα. Εναλλακτικά, πατήστε το πλήκτρο **[POWER]** (1) στο τηλεχειριστήριο.

Υπόδειξη – Κατά την πρώτη ενεργοποίηση

- Η ηχώμπαρα και το subwoofer είναι συνδεδεμένα κατά την παράδοσή τους.
- Κατά την πρώτη ενεργοποίηση, η ηχώμπαρα μεταβαίνει στην κατάσταση "Αρχική διαμόρφωση της συσκευής" μόλις ξεκινήσει να αναβοσβήνει γρήγορα η λυχνία LED κατάστασης δικτύου (5).

6. Διαμόρφωση της ηχώμπαρας

Υπόδειξη

- Για να αξιοποιήσετε πλήρως όλες τις λειτουργίες του προϊόντος, πρέπει επίσης να κατεβάσετε την εφαρμογή Amazon Alexa και να δημιουργήσετε έναν λογαριασμό Amazon. Γι' αυτό ακολουθήστε τις οδηγίες που ορίζονται στην εφαρμογή Amazon Alexa. Για περισσότερες πληροφορίες, επισκεφτείτε τον ιστότοπο www.amazon.com.
- Εξασφαλίστε ότι η τελική συσκευή έχει τις απαιτούμενες υποδοχές για να συνδεθεί με την ηχώμπαρα. Γι' αυτό ακολουθήστε τις οδηγίες χειρισμού της τελικής συσκευής.

6.1. Λήψη της εφαρμογής Hama Smart Audio

Υπόδειξη

Υποστηρίζονται τα ακόλουθα λειτουργικά συστήματα:

- iOS 8 ή νεότερη έκδοση
- Android 4.4.2 ή νεότερη έκδοση

- Ανοίξτε το iTunes AppStore ή το Google Play Store στο smartphone σας.
- Μπορείτε να βρείτε την εφαρμογή χρησιμοποιώντας τη λειτουργία αναζήτησης.
- Κατεβάστε την εφαρμογή όπως συνήθως και εγκαταστήστε την στο smartphone. Γι' αυτό ακολουθήστε τις οδηγίες του smartphone σας.

6.2. Πρώτη διαμόρφωση της συσκευής με την εφαρμογή Hama Smart Audio (λειτουργία ALEXA)

Υπόδειξη WLAN (ασύρματο δίκτυο)

- Βεβαιωθείτε ότι ο δρομολογητής είναι ενεργοποιημένος και ότι υπάρχει σύνδεση στο internet/δίκτυο.
- Ενεργοποιήστε τη σύνδεση WLAN του δρομολογητή σας, αν δεν είναι ήδη ενεργοποιημένη.
- Αν έχετε απορίες σχετικά με τη ρύθμιση του δρομολογητή, ανατρέξτε στις οδηγίες λειτουργίας του δρομολογητή για αναζήτηση σφαλμάτων/αντιμετώπιση προβλημάτων.
- Βεβαιωθείτε ότι η ηχώμπαρα βρίσκεται στη λειτουργία ζεύξης WLAN. Η λυχνία LED κατάστασης δικτύου (5) αναβοσβήνει γρήγορα.
- Βεβαιωθείτε ότι η εφαρμογή Hama Smart Audio έχει εγκατασταθεί στο smartphone σας.
- Ανοίξτε την εφαρμογή Hama Smart Audio και πατήστε **[CONFIGURE]**.
- Κατόπιν, πατήστε **[Add More Speakers]**.
- Ανοίξτε τις ρυθμίσεις WLAN του smartphone πατώντας **[OPEN Settings]**.
- Στις ρυθμίσεις WLAN του smartphone, αναζητήστε την ηχώμπαρα **Hama SIRIUM4000ABT**.
- Πραγματοποιήστε σύνδεση του smartphone με την ηχώμπαρα.
- Στη συνέχεια, ανοίξτε την εφαρμογή Hama Smart Audio στο smartphone σας.
- Επιλέξτε το όνομα του επιθυμητού WLAN (SSID).
- Καταχωρήστε το κλειδί ασφαλείας του δικτύου και επιβεβαιώστε πατώντας το κουμπί **[Save]**.
- Επιβεβαιώστε τις επιλεγμένες ρυθμίσεις πατώντας **[CONFIRM]**.
- Κατόπιν, η ηχώμπαρα θα συνδεθεί με το δίκτυο. Αφού επιτευχθεί η σύνδεση, θα εμφανιστεί το μήνυμα "Configured Successfully Hama Soundbar" στο smartphone.

- Έπειτα, η λυχνία LED κατάστασης δικτύου (5) θα ανάβει σταθερά με μπλε χρώμα.
- Πατήστε [Sources] στην κάτω πλευρά της οθόνης, για να συνδεθείτε στο λογαριασμό σας Amazon.
- Κατόπιν, πατήστε το κουμπί [**Amazon Alexa**].
- Πατήστε [**Sign in with Amazon**], για να ανοίξετε το πρόγραμμα περιήγησης web και να καταχωρήσετε τα στοιχεία πρόσβασής σας.
- Καταχωρήστε τα στοιχεία πρόσβασής σας στο λογαριασμό Amazon χρησιμοποιώντας το πληκτρολόγιο του smartphone.
- Εναλλακτικά, μπορείτε να δημιουργήσετε έναν νέο λογαριασμό Amazon πατώντας [Create a new Amazon account].
- Αφού συνδεθείτε επιτυχώς, θα επιστρέψετε στην εφαρμογή Hama Smart Audio.
- Επιλέξτε τη γλώσσα στην οποία θα αλληλεπιδράτε με την εφαρμογή Alexa.
- Ανοίξτε την εφαρμογή Amazon Alexa και καταχωρήστε ξανά τα στοιχεία πρόσβασής σας.
- Κατόπιν, ορίστε τις προσωπικές σας ρυθμίσεις (ζώνη ώρας, όνομα συσκευής κ.λπ.) στην εφαρμογή Amazon Alexa. Για περισσότερες πληροφορίες, επισκεφτείτε τον ιστότοπο www.amazon.com -> Hilfe und Kundenservice (Βοήθεια και εξυπηρέτηση πελατών).

Υπόδειξη - Πλήκτρο Push to talk/ Function Key της Alexa

- Πατήστε στιγμιαία το πλήκτρο [**Aktion / Mikrophon Mute**] (3) στην ηχώμπαρα, για να ενεργοποιήσετε την εφαρμογή Alexa κατά τη λειτουργία ήχου ή/και υψηλής έντασης ήχου. Εναλλακτικά, πατήστε το πλήκτρο ενεργειών (3) στο τηλεχειριστήριο.
- Πατήστε παρατεταμένα το πλήκτρο [Aktion / Mikrophon Mute] (3) για 3 δευτερόλεπτα περίπου, για να απενεργοποιήσετε το μικρόφωνο. Εναλλακτικά, πατήστε το πλήκτρο [**MUTE**] (4) στο τηλεχειριστήριο. Η ηχώμπαρα δεν θα αντιδρά πλέον στη φωνητική ενεργοποίηση, μέχρι να ενεργοποιήσετε ξανά το μικρόφωνο. Αν απενεργοποιήσετε το μικρόφωνο, μπορείτε ακόμα να χειριστείτε την ηχώμπαρα μέσω των πλήκτρων στην ηχώμπαρα ή/και στο τηλεχειριστήριο.

7. Πρώτη σύνδεση Bluetooth (ζεύξη)

Μέσω του Bluetooth μπορείτε να συνδέσετε την τελική συσκευή σας με την ηχώμπαρα και να την χρησιμοποιήσετε ως συσκευή αναπαραγωγής για σήματα ήχου. Ο χειρισμός της αναπαραγωγής γίνεται στην περίπτωση αυτή απευθείας από την τερματική συσκευή ή το τηλεχειριστήριο. Μπορείτε, επίσης, να ρυθμίσετε την ένταση ήχου απευθείας από την ηχώμπαρα.

Υπόδειξη – Bluetooth®

- Ελέγξτε εάν η κινητή τερματική συσκευή σας (smartphone, tablet PC, κ.λπ.) είναι συμβατή με την τεχνολογία Bluetooth.
- Λάβετε υπόψη ότι η εμβέλεια του Bluetooth® δεν ξεπερνά τα 10 μέτρα, χωρίς εμπόδια, όπως τοίχους, άτομα κ.λπ.
- Η σύνδεση μέσω περαιτέρω συσκευών / συνδέσεων Bluetooth® στο περιβάλλον ενδέχεται να δέχεται παρεμβολές.
- Η ηχώμπαρα μπορεί να συνδεθεί με μία μόνο τελική συσκευή κάθε φορά.
- Λάβετε υπόψη ότι η συμβατότητα εξαρτάται από τα υποστηριζόμενα προφίλ Bluetooth® και από τις χρησιμοποιούμενες εκδόσεις Bluetooth®. (βλ.: Τεχνικά χαρακτηριστικά, Οδηγίες χειρισμού της χρησιμοποιούμενης συσκευής)
- Βεβαιωθείτε ότι η συσκευή σας που υποστηρίζει Bluetooth είναι ενεργοποιημένη και ότι το Bluetooth είναι επίσης ενεργοποιημένο.
- Ενεργοποιήστε τη λειτουργία Bluetooth πατώντας επανειλημμένα το πλήκτρο [**MODE**] (2) στην ηχώμπαρα.
- Εναλλακτικά, πατήστε το πλήκτρο [**Bluetooth**] (13) στο τηλεχειριστήριο.
- Η λυχνία LED κατάστασης σύνδεσης Bluetooth (7) θα ξεκινήσει να αναβοσβήνει γρήγορα με μπλε χρώμα.
- Πατήστε παρατεταμένα το πλήκτρο [**MODE**] (2) για 5 δευτερόλεπτα περίπου, για να ενεργοποιήσετε τη λειτουργία ζεύξης. Η λυχνία LED κατάστασης σύνδεσης Bluetooth (7) θα ξεκινήσει να αναβοσβήνει γρήγορα.
- Ανοίξτε τις ρυθμίσεις Bluetooth στην τελική συσκευή σας και περιμένετε μέχρι να προβληθεί η συσκευή **Hama SIRIUM4000ABT** στη λίστα των συσκευών Bluetooth που βρέθηκαν.
- Εάν χρειάζεται, ξεκινήστε την αναζήτηση συσκευών Bluetooth στην τελική συσκευή σας.
- Επιλέξτε την ηχώμπαρα **Hama SIRIUM4000ABT** από τη λίστα των διαθέσιμων συσκευών και περιμένετε μέχρι η ηχώμπαρα να εμφανιστεί στις ρυθμίσεις Bluetooth της συσκευής σας ως συνδεδεμένη.
- Έπειτα, η λυχνία LED κατάστασης σύνδεσης Bluetooth (7) θα ανάβει σταθερά με μπλε χρώμα.
- Ξεκινήστε την αναπαραγωγή ήχου και χειριστείτε την μέσω της τελικής συσκευής ή του τηλεχειριστηρίου.

8. Σύνδεση μέσω της βοηθητικής εισόδου/της εισόδου Line In

Μέσω της αναλογικής εισόδου ήχου (Line In/ AUX) μπορείτε να συνδέσετε κινητές συσκευές (π.χ. smartphone, tablet PC, συσκευές αναπαραγωγής MP3 κ.λπ.), καθώς και αναλογικές πηγές παλαιότερου τύπου (π.χ. συσκευές αναπαραγωγής CD/DVD κ.λπ.) στην ηχώμπαρα και να αναπαραγάγετε τα σήματα ήχου τους μέσω της ηχώμπαρας. Γι' αυτήν τη σύνδεση μπορείτε να επιλέξετε μεταξύ καλωδίου ήχου 3,5mm (καλωδίου ίσιου βύσματος) ή καλωδίου RCA.

Υπόδειξη

- Απενεργοποιήστε την ηχώμπαρα, προτού συνδέσετε μια τελική συσκευή.
- Μην τσακίζετε και μην συνθλίβετε το καλώδιο.
- Για αναπαραγωγή μέσω της εισόδου LINE In, συνδέστε την τελική συσκευή στην υποδοχή LINE In (1) της ηχώμπαρας μέσω ενός καλωδίου RCA και επιλέξτε τη λειτουργία εισόδου LINE In.
- Για αναπαραγωγή μέσω της εισόδου AUX, συνδέστε την τελική συσκευή στην υποδοχή AUX (2) της ηχώμπαρας μέσω ενός καλωδίου ήχου 3,5mm (καλωδίου ίσιου βύσματος) και επιλέξτε τη λειτουργία AUX.
- Πατήστε το πλήκτρο **[POWER]** (1), για να ενεργοποιήσετε την ηχώμπαρα.
- Ενεργοποιήστε τη λειτουργία εισόδου Line In ή AUX, πατώντας επανειλημμένα το πλήκτρο **[MODE]** (2) στην ηχώμπαρα.
- Η λυχνία LED κατάστασης εισόδου AUX /Line In (9) θα ανάψει με κόκκινο χρώμα, αν επιλέξετε τη λειτουργία εισόδου LINE IN ή με μπλε αν επιλέξετε τη λειτουργία εισόδου AUX.
- Εναλλακτικά, πατήστε το πλήκτρο **[AUX]** (12) στο τηλεχειριστήριο για τη σύνδεση μέσω καλωδίου ήχου 3,5mm (καλωδίου ίσιου βύσματος) ή το πλήκτρο **[LINE In]** (11) για τη σύνδεση μέσω καλωδίου RCA.

9. Σύνδεση μέσω οπτικής/ομοαξονικής εισόδου

Μέσω της ψηφιακής εισόδου ήχου της ηχώμπαρας, μπορείτε να συνδέσετε την τελική συσκευή σας (π.χ. τηλεόραση) και να αναπαραγάγετε το σήμα ήχου της μέσω της ηχώμπαρας. Γι' αυτήν τη σύνδεση μπορείτε να επιλέξετε μεταξύ καλωδίου οπτικού σήματος ή ομοαξονικού καλωδίου.

Υπόδειξη

- Απενεργοποιήστε την ηχώμπαρα, προτού συνδέσετε μια τελική συσκευή.
- Πριν από τη σύνδεση αφαιρέστε το προστατευτικό κάλυμμα από τα δύο άκρα του καλωδίου οπτικού σήματος.
- Μην τσακίζετε και μην συνθλίβετε το καλώδιο.

- Για αναπαραγωγή μέσω της οπτικής εισόδου ήχου, συνδέστε το καλώδιο οπτικού σήματος (περιλαμβάνεται στη συσκευασία) στην οπτική είσοδο ήχου (4) της ηχώμπαρας και στην οπτική έξοδο ήχου της τελικής συσκευής σας και επιλέξτε τη λειτουργία οπτικής εισόδου.
- Για αναπαραγωγή μέσω της ομοαξονικής εισόδου ήχου, συνδέστε το ομοαξονικό καλώδιο στην ομοαξονική είσοδο ήχου (3) της ηχώμπαρας και στην ομοαξονική έξοδο ήχου της τελικής συσκευής και επιλέξτε τη λειτουργία ομοαξονικής εισόδου.
- Πατήστε παρατεταμένα το πλήκτρο **[POWER]** (1) για 3 δευτερόλεπτα περίπου, για να ενεργοποιήσετε την ηχώμπαρα.
- Ενεργοποιήστε τη λειτουργία οπτικής ή ομοαξονικής εισόδου πατώντας επανειλημμένα το πλήκτρο **[MODE]** (2) στην ηχώμπαρα.
- Η λυχνία LED κατάστασης οπτικής/ομοαξονικής εισόδου (8) θα ανάψει με μπλε χρώμα, αν επιλέξετε τη λειτουργία οπτικής εισόδου ή με κόκκινο αν επιλέξετε τη λειτουργία ομοαξονικής εισόδου.
- Εναλλακτικά, πατήστε το πλήκτρο **[Optical In]** (16) στο τηλεχειριστήριο για τη σύνδεση μέσω καλωδίου οπτικού σήματος ή το πλήκτρο **[Coax In]** (10) για τη σύνδεση μέσω ομοαξονικού καλωδίου.

10. Συντήρηση και φροντίδα

- Καθαρίζετε αυτή τη συσκευή μόνο με ένα ελαφρώς βρεγμένο πανί χωρίς χνούδια και μην χρησιμοποιείτε καυστικά καθαριστικά.
- Αν πρόκειται να μη χρησιμοποιήσετε τη συσκευή για μεγάλο διάστημα απενεργοποιήστε την και αποσυνδέστε τη από το ηλεκτρικό ρεύμα. Φυλάσσετε τη σε καθαρό, ξηρό μέρος χωρίς κατευθείαν ηλιακή ακτινοβολία.

11. Απώλεια εγγύησης

Η εταιρεία Hama GmbH & Co KG δεν αναλαμβάνει καμία ευθύνη ή εγγύηση για ζημιές, οι οποίες προκύπτουν από λανθασμένη εγκατάσταση και συναρμολόγηση ή λανθασμένη χρήση του προϊόντος ή μη τήρηση των οδηγιών λειτουργίας και/ή των υποδείξεων ασφαλείας.

12. Σέρβις και υποστήριξη

Για ερωτήσεις σχετικά με το προϊόν απευθυνθείτε στην υπηρεσία εξυπηρέτησης πελατών της Hama.

Γραμμή υποστήριξης: +49 9091 502-115 (Γερμανικά/Αγγλικά)

Περισσότερες πληροφορίες υποστήριξης θα βρείτε στη διεύθυνση: www.hama.com

13. Υποδείξεις απόρριψης

Υπόδειξη σχετικά με την προστασία περιβάλλοντος:



Από τη στιγμή που η Ευρωπαϊκή Οδηγία 2012/19/EU και 2006/66/EE ενσωματώνεται στο εθνικό δίκαιο ισχύουν τα εξής: Οι ηλεκτρικές και οι ηλεκτρονικές συσκευές καθώς και οι μπαταρίες δεν επιτρέπεται να πετιούνται στα οικιακά απορρίμματα. Οι καταναλωτές υποχρεούνται από τον νόμο να επιστρέφουν τις ηλεκτρικές και ηλεκτρονικές συσκευές καθώς και τις μπαταρίες στο τέλος της ζωής τους στα δημόσια σημεία περισυλλογής που έχουν δημιουργηθεί γι' αυτό το σκοπό ή στα σημεία πώλησης. Οι λεπτομέρειες ρυθμίζονται στη σχετική νομοθεσία. Το σύμβολο πάνω στο προϊόν, στο εγχειρίδιο χρήσης ή στη συσκευασία παραπέμπει σε αυτές τις διατάξεις. Με την ανακύκλωση, επαναχρησιμοποίηση των υλικών ή με άλλες μορφές χρησιμοποίησης παλιών συσκευών / Μπαταριών συνεισφέρετε σημαντικά στην προστασία του περιβάλλοντος. Στη Γερμανία ισχύουν αντίστοιχα οι παραπάνω κανόνες απόρριψης σύμφωνα με τον κανονισμό για μπαταρίες και συσσωρευτές.

14. Δήλωση συμμόρφωσης

CE Με την παρούσα ο/η Hama GmbH & Co KG, δηλώνει ότι ο ραδιοεξοπλισμός [00054843] πληροί την οδηγία 2014/53/EE. Το πλήρες κείμενο της δήλωσης συμμόρφωσης EE διατίθεται στην ακόλουθη ιστοσελίδα στο διαδίκτυο: www.hama.com -> 00054843 -> Downloads.

Ζώνη συχνότητων/Ζώνες συχνότητων	2.412 GHz – 2.483 GHz 2.402 GHz - 2.480 GHz
Μέγιστη εκπεμπόμενη ισχύς	19.5 dBm EIRP 8 dBm EIRP

00054843



Elementy obsługi i sygnalizacji

A Panel obsługi soundbar

1. Przycisk zasilania [POWER]
2. Przycisk trybów [MODE]
3. Przycisk operacyjny/wyciszania mikrofonu [Aktion / Mikrofon Mute]
4. Przyciski głośności [VOLUME] +/-
5. Dioda LED stanu sieci
6. Dioda LED stanu transmisji danych
7. Dioda LED stanu Bluetooth/USB
8. Dioda LED stanu gniazda optycznego/koncentrycznego
9. Dioda LED stanu gniazda AUX/Line In
10. Dioda LED stanu Dolby

B Tył

1. Gniazdo Line In L/P
2. Gniazdo AUX In
3. Gniazdo koncentryczne
4. Gniazdo Optical In
5. Przycisk [PAIRING] sieci
6. USB Playback
7. Przycisk [PAIRING] głośnika subwoofer
8. Przewód sieciowy
9. Gwint do mocowania w uchwycie ściennym

C Pilot zdalnego sterowania

1. Przycisk zasilania [POWER]
2. Przycisk wyciszania [MUTE]
3. Przycisk operacyjny
4. Przycisk wyciszania mikrofonu [MUTE]
5. Przyciski poziomu niskich tonów [BASS] +/-
6. Przyciski głośności [VOLUME] +/-
7. Tryb kina CINEMA
8. Tryb muzyki MUSIC
9. Tryb audio VOICE
10. Tryb COAX IN
11. Tryb LINE In
12. Tryb AUX In
13. Tryb Bluetooth
14. Przycisk przewijania do przodu [FORWARD]
15. Przycisk pauzy [PLAY/PAUSE]
16. Tryb Optical In

D Subwoofer

1. Przycisk parowania [PAIRING] głośnika subwoofer



Ważna wskazówka - instrukcja obsługi:

- Dokument ten jest krótką instrukcją obsługi zawierającą istotne podstawowe informacje dotyczące np. bezpiecznego użytkowania i uruchamiania produktu.
- Ze względu na ochronę środowiska i oszczędne gospodarowanie cennymi surowcami firma Hama rezygnuje z publikowania instrukcji obsługi w formie drukowanej i udostępnia je wyłącznie jako pliki PDF / eManual do pobrania na stronie www.hama.com.
- Aby ułatwić wyszukiwanie dokumentacji produktu, należy korzystać z funkcji znajdowania z podaniem numeru artykułu.
- Alternatywnie dostęp do odpowiedniej instrukcji obsługi jest możliwy poprzez zeskanowanie podanego niżej kodu QR.
- Zapisać instrukcję obsługi na komputerze do późniejszego użytku i w razie potrzeby wydrukować ją.

1. Objaśnienie symboli ostrzegawczych i wskazówek

Ostrzeżenie

Używane w celu zwrócenia uwagi na szczególne niebezpieczeństwo lub ryzyko.

Wskazówki

Używane w celu zwrócenia uwagi na szczególnie przydatne informacje.

Ryzyko porażenia prądem elektrycznym

Symbol ten wskazuje niebezpieczeństwo dotknięcia nieizolowanych części produktu, którą mogą być pod napięciem grożącym porażeniem prądem elektrycznym.

2. Zawartość opakowania

- Soundbar
- Subwoofer
- Pilot zdalnego sterowania
- 2 baterie typu AAA
- 1 optyczny kabel sygnałowy
- Zasilacz sieciowy
- Krótka instrukcja obsługi

3. Wskazówki bezpieczeństwa

- Produkt jest przeznaczony do prywatnego, niekomercyjnego użytku domowego.
- Chronić produkt przed zanieczyszczeniem, wilgocią i przegrzaniem oraz stosować go tylko w suchych pomieszczeniach.
- Trzymać ten produkt, jak wszystkie urządzenia elektryczne, z dala od dzieci!
- Chronić produkt przed upadkiem i silnymi wstrząsami.
- Nie stosować produktu poza zakresem mocy podanym w danych technicznych.
- Materiały opakowaniowe trzymać koniecznie z dala od dzieci - istnieje niebezpieczeństwo uduszenia.
- Materiały opakowaniowe należy natychmiast poddać utylizacji zgodnie z obowiązującymi miejscowymi przepisami.
- Nie modyfikować urządzenia. Prowadzi to do utraty wszelkich roszczeń z tytułu gwarancji.

Ryzyko porażenia prądem elektrycznym

- Nie otwierać produktu i nie używać go, gdy jest uszkodzony.
- Nie używać produktu, jeżeli zasilacz sieciowy, kabel zasilacza bądź przewód sieciowy są uszkodzone.
- Nie próbować samodzielnie naprawiać produktu. Prace serwisowe zlecać wykwalifikowanemu personelowi fachowemu.

Ostrzeżenie - baterie

- Wkładając baterie, zwrócić koniecznie uwagę na właściwe podłączenie biegunów (znak + i -). Nieprzebranie grozi wyciekami lub wybuchem baterii.
- Nie pozwalać dzieciom na wymianę baterii bez nadzoru.
- Nie mieszać starych i nowych baterii ani baterii różnych typów lub producentów.
- Jeżeli produkt nie jest używany przez dłuższy czas, należy wyjąć z niego baterie.
- Nie zwierać baterii.
- Nie ładować baterii.
- Nie wrzucać baterii do ognia.
- Przechowywać baterie poza zasięgiem dzieci.

4. Przed uruchomieniem

Uruchamianie pilota zdalnego sterowania

Zdjąć pokrywę schowka na baterię. Znajduje się ona z tyłu pilota i otwiera się ją poprzez przesunięcie w oznaczonym kierunku.

Do zakresu dostawy należą dwie baterie AAA, które należy włożyć do schowka na baterie. Wkładając baterie, przestrzegać właściwej biegunowości. Prawidłowe podłączenie biegunów (+ / -) jest podane w schowku na baterie.

5. Uruchamianie



Ostrzeżenie

- Podłączać produkt tylko do odpowiedniego gniazda wtykowego. Gniazdo wtykowe musi znajdować się w pobliżu produktu i być łatwo dostępne.
- Odłączyć produkt od sieci za pomocą wyłącznika zasilania – jeżeli nie jest na wyposażeniu, wyciągnąć przewód sieciowy z gniazda wtykowego.
- W przypadku korzystania z listwy zasilającej należy koniecznie sprawdzić, czy całkowity pobór mocy wszystkich podłączonych urządzeń nie przekracza całkowitej mocy znamionowej listwy.
- Jeśli urządzenie nie będzie używane przez dłuższy okres, należy odłączyć je od źródła zasilania.

Włączanie

- Podłączyć kable sieciowe głośników soundbar i subwoofer do prawidłowo zamontowanych gniazd sieciowych.
- Wcisnąć przycisk **[POWER]** (1), aby włączyć głośnik soundbar. Opcjonalnie wcisnąć przycisk **[POWER]** (1) na pilocie.



Wskazówka – pierwsze włączenie

- Głośniki soundbar i subwoofer są dostarczane w stanie złączonym.
- Podczas pierwszego włączania soundbar znajduje się w trybie „Pierwsza konfiguracja urządzenia”, gdy dioda LED stanu sieci (5) zacznie pulsować.

6. Konfiguracja głośnika soundbar



Wskazówki

- W celu wykorzystania wszystkich możliwości funkcji produktu należy dodatkowo pobrać aplikację Amazon Alexa oraz utworzyć konto na stronie Amazon. W tym celu postępować zgodnie ze wskazówkami wyświetlanymi w aplikacji Amazon Alexa. Więcej informacji można uzyskać na stronie www.amazon.com.
- Upewnić się, że urządzenie końcowe jest wyposażone w niezbędne przyłącza do podłączenia głośnika soundbar. Uwzględnić przy tym instrukcję obsługi używanego urządzenia końcowego.

6.1. Pobieranie aplikacji Hama Smart Audio



Wskazówki

Obsługiwane są następujące systemy operacyjne:

- iOS 8 lub wyższy
 - Android 4.4.2 lub wyższy
- Otworzyć iTunes AppStore lub Google Play Store na smartfonie.
 - Za pomocą funkcji wyszukiwania odnaleźć aplikację.
 - Pobrać aplikację w standardowy sposób i zainstalować ją na smartfonie. Postępować zgodnie ze wskazówkami wyświetlanymi na ekranie smartfona.

6.2. Pierwsza konfiguracja urządzenia za pomocą aplikacji Hama Smart Audio (funkcja ALEXA)



Wskazówki - WLAN (sieć bezprzewodowa)

- Prosimy sprawdzić, czy router jest włączony i działa prawidłowo i czy połączenie z internetem jest aktywne.
 - Należy włączyć w routerze obsługę sieci WLAN.
 - Należy zapoznać się z rozdziałem instrukcji obsługi routera dotyczącym prawidłowej konfiguracji połączenia WLAN.
- Upewnić się, że głośnik soundbar pracuje w trybie parowania przez WLAN. Dioda LED stanu sieci (5) pulsuje.
 - Upewnić się, że aplikacja Hama Smart Audio jest zainstalowana na smartfonie.
 - Otworzyć aplikację Hama Smart Audio i wcisnąć przycisk **[CONFIGURE]**.
 - Następnie nacisnąć przycisk **[Add More Speakers]**.
 - Otworzyć ustawienia sieci WLAN na smartfonie wciskając przycisk **[OPEN Settings]**.
 - Wyszukać w ustawieniach WLAN smartfona głośnik soundbar **HAMA SIRIUM4000ABT**.
 - Połączyć smartfon z głośnikiem soundbar.
 - Otworzyć aplikację Hama Smart Audio na smartfonie.
 - Wybrać odpowiednią nazwę sieci WLAN (SSID).
 - Wprowadzić klucz sieciowy i potwierdzić, wciskając **[Save]**.
 - Potwierdzić wybrane ustawienia, wciskając **[CONFIRM]**.
 - Głośnik soundbar łączy się z siecią. Po pomyślnym nawiązaniu połączenia na wyświetlaczu pojawi się komunikat „Configured Successfully Hama Soundbar”.
 - Dioda LED stanu sieci (5) świeci na niebiesko światłem ciągłym.
 - Wcisnąć przycisk **[Sources]** na dolnym pasku monitora w celu nawiązania połączenia z kontem na stronie Amazon.
 - Następnie wcisnąć przycisk **[Amazon Alexa]**.
 - Wcisnąć przycisk **[Sign in with Amazon]**, aby otworzyć przeglądarkę w celu wprowadzenia danych dostępu.

- Za pomocą klawiatury smartfona wprowadzić dane dostępu do konta Amazon.
- Opcjonalnie można założyć nowe konto Amazon, wciskając przycisk [Create a new Amazon account].
- Po pomyślnym zalogowaniu następuje ponowne przekierowanie do aplikacji Hama Smart Audio.
- Wybrać język, na który Alexa ma w przyszłości reagować.
- Otworzyć aplikację Amazon Alexa i ponownie wprowadzić dane dostępu.
- Następnie wprowadzić w aplikacji Amazon Alexa indywidualne ustawienia (strefa czasowa, nazwa urządzenia itp.). Więcej informacji można uzyskać na stronie www.amazon.com -> Pomoc i obsługa klienta.

Wskazówki Alexa Push to talk/ Function Key

- Wcisnąć krótko przycisk [**Aktion / Mikrophon Mute**] (3) na głośniku soundbar, aby wyłączyć aplikację Alexa podczas trybu audio lub przy dużym poziomie głośności. Alternatywnie można wcisnąć przycisk operacyjny (3) na pilocie.
- Wcisnąć i przytrzymać przez ok. 3 s przycisk [**Aktion / Mikrophon Mute**] (3), aby wyłączyć mikrofon. Alternatywnie można wcisnąć przycisk [**MUTE**] (4) na pilocie. Soundbar nie będzie już reagować na hasło włączające aż do chwili ponownego włączenia mikrofonu. Jeśli mikrofon jest wyłączony, wówczas w dalszym ciągu możliwa jest obsługa przyciskami na głośniku soundbar lub na pilocie.

7. Pierwsze łączenie Bluetooth (pairing)

Poprzez łącze Bluetooth można połączyć urządzenia końcowe z głośnikiem soundbar i używać go jako odtwarzacza sygnału audio. Sterowanie odtwarzaniem odbywa się przy tym bezpośrednio poprzez urządzenie końcowe lub za pomocą pilota.. Głośność można regulować również bezpośrednio na głośniku soundbar.

Wskazówki – Bluetooth®

- Sprawdzić, czy posiadane mobilne urządzenie końcowe (smartfon, tablet PC itp.) jest wyposażone w łącze Bluetooth.
- Pamiętać, że zasięg łącza Bluetooth® wynosi maks. 10 metrów bez przeszkód jak ściany, osoby itp.
- Może się zdarzyć, że połączenie zostanie zakłócone przez inne urządzenia Bluetooth®/połączenia w otoczeniu.
- Głośnik soundbar można zawsze sparować tylko z jednym urządzeniem końcowym.
- Pamiętać, że kompatybilność zależy od obsługiwanych profili Bluetooth® oraz stosowanych wersji Bluetooth®. (patrz: Dane techniczne, instrukcja obsługi stosowanego urządzenia końcowego)
- Upewnić się, że urządzenie końcowe Bluetooth jest włączone, a łącze Bluetooth aktywne.
- Wcisnąć wielokrotnie przycisk [**MODE**] (2) na głośniku soundbar, włączyć tryb Bluetooth.
- Opcjonalnie wcisnąć przycisk [**Bluetooth**] (13) na pilocie.
- Dioda LED stanu Bluetooth (7) zaczyna pulsować na niebiesko.
- Wcisnąć i przytrzymać przez ok. 5 s przycisk [**MODE**] (2), w celu włączenia trybu parowania. Dioda LED stanu Bluetooth (7) zaczyna szybko migać.
- Otworzyć na urządzeniu końcowym ustawienia Bluetooth i poczekać, aż w liście znalezionych urządzeń Bluetooth wyświetli się **Hama SIRIUM4000ABT**.
- W razie potrzeby uruchomić na urządzeniu końcowym funkcję wyszukiwania urządzeń Bluetooth.
- Z listy dostępnych urządzeń wybrać soundbar **Hama SIRIUM4000ABT** i poczekać, aż głośnik soundbar zostanie wyświetlony w ustawieniach Bluetooth urządzenia końcowego jako sparowany.
- Dioda LED stanu Bluetooth (7) świeci na niebiesko światłem ciągłym.
- Uruchomić i odpowiednio wyregulować odtwarzanie audio na urządzeniu końcowym lub za pomocą pilota.

8. Połączenie poprzez gniazdo Auxiliary/Line In

Za pomocą analogowych gniazd audio (Line In/ AUX) można podłączyć do głośnika soundbar mobilne urządzenia końcowe (np. smartfona, tablet PC, odtwarzacz mp3 itp.), a także starsze, analogowe źródła dźwięku (odtwarzacz CD/ DVD itp.). Sygnały audio z tych urządzeń można odtwarzać poprzez głośnik soundbar. Można tutaj wybrać pomiędzy przyłączem za pomocą kabla audio 3,5 mm (kabel jack) lub kabla cinch.

Wskazówki

- Przed podłączeniem urządzenia końcowego wyłączyć głośnik soundbar.
- Nie zginać ani nie zakleszczać kabla.
- W celu odtwarzania poprzez gniazdo LINE In połączyć urządzenie końcowe poprzez to gniazdo (1) z głośnikiem soundbar za pomocą kabla cinch i wybrać tryb LINE In.
- W celu odtwarzania poprzez gniazdo AUX połączyć urządzenie końcowe poprzez to gniazdo (2) z głośnikiem soundbar za pomocą kabla audio 3,5 mm (kabel jack) i wybrać tryb AUX.
- Wcisnąć przycisk **[POWER]** (1), aby włączyć głośnik soundbar.
- Wcisnąc wielokrotnie przycisk **[MODE]** (2) na głośniku soundbar, włączyć tryb Line In lub AUX.
- Dioda LED stanu AUX /Line In (9) świeci na czerwono, gdy wybrany został tryb LINE IN lub na niebiesko, gdy wybrany został tryb AUX.
- Alternatywnie wcisnąć przycisk **[AUX]** (12) na pilocie w przypadku połączenia kablem audio 3,5 mm (kabel jack) lub **[LINE In]** (11) w przypadku połączenia kablem cinch.

9. Połączenie poprzez gniazdo optyczne/ koncentryczne

Poprzez cyfrowe wejścia audio głośnika soundbar można podłączyć urządzenie końcowe (np. odbiornik TV) i odtwarzać jego sygnał audio poprzez głośnik soundbar. Można tutaj wybrać pomiędzy przyłączem za pomocą sygnałowego kabla optycznego lub koncentrycznego.

Wskazówki

- Przed podłączeniem urządzenia końcowego wyłączyć głośnik soundbar.
- Przed podłączeniem usunąć osłony ochronne z obu końców optycznego kabla sygnałowego.
- Nie zginać ani nie zakleszczać kabla.

- W celu odtwarzania poprzez optyczne gniazdo audio podłączyć optyczny kabel sygnałowy (w zakresie dostawy) do optycznego wejścia audio (4) na głośniku soundbar i do optycznego wyjścia audio urządzenia końcowego, a następnie wybrać tryb Optical.
- W celu odtwarzania poprzez koncentryczne gniazdo audio podłączyć kabel koncentryczny do koncentrycznego wejścia audio (3) na głośniku soundbar i do koncentrycznego wyjścia audio urządzenia końcowego, a następnie wybrać tryb Coaxial.
- Wcisnąć i przytrzymać przez ok. 3 s przycisk **[POWER]** (1), aby włączyć głośnik soundbar.
- Wcisnąc wielokrotnie przycisk **[MODE]** (2) na głośniku soundbar, włączyć tryb Optical lub Coaxial.
- Dioda LED stanu Optical/Coaxial (8) świeci na niebiesko, gdy wybrany został tryb Optical, lub na czerwono, gdy wybrany został tryb Coaxial.
- Opcjonalnie wcisnąć przycisk **[Optical In]** (16) na pilocie w przypadku połączenia optycznym kablem sygnałowym lub **[Coax In]** (10) w przypadku połączenia kablem koncentrycznym.

10. Czyszczenie

- Czyścić produkt tylko przy użyciu niestrzępiącej się, lekko zwilżonej szmatki i nie stosować agresywnych detergentów.
- W przypadku dłuższego nieużywania wyłączyć urządzenie i odłączyć od sieci prądu. Przechowywać produkt w czystym, suchym miejscu bez bezpośredniego promieniowania słonecznego.

11. Wyłączenie odpowiedzialności

Hama GmbH & Co. KG nie udziela gwarancji ani nie odpowiada za szkody wskutek niewłaściwej instalacji, montażu oraz nieprawidłowego stosowania produktu lub nieprzestrzegania instrukcji obsługi i/lub wskazówek bezpieczeństwa.

12. Serwis i pomoc techniczna

W razie pytań dotyczących produktu prosimy zwrócić się do infolinii Hama.

Gorąca linia: +49 9091 502-115 (niem./ang.)

Dodatkowe informacje są dostępne na stronie: www.hama.com

13. Informacje dotycząca recyklingu

Wskazówki dotyczące ochrony środowiska:



Od czasu wprowadzenia europejskiej dyrektywy 2012/19/EU i 2006/66/EU do prawa narodowego obowiązują następujące ustalenia: Urządzeń elektrycznych, elektronicznych oraz baterii

jednorazowych nie należy wyrzucać razem z codziennymi odpadami domowymi! Użytkownik zobowiązany prawnie do odniesienia zepsutych, zniszczonych lub niepotrzebnych urządzeń elektrycznych i elektronicznych do punktu zbiórki lub do sprzedawcy. Szczegółowe kwestie regulują przepisy prawne danego kraju. Informuje o tym symbol przekreślonego kosza umieszczony na opakowaniu. Segregując odpady pomagasz chronić środowisko!

14. Deklaracja zgodności

CE Hama GmbH & Co KG niniejszym oświadcza, że typ urządzenia radiowego [00054843] jest zgodny z dyrektywą 2014/53/UE. Pełny tekst deklaracji zgodności UE jest dostępny pod następującym adresem internetowym:

www.hama.com -> 00054843 -> Downloads.

Częstotliwość transmisji	2.412 GHz – 2.483 GHz 2.402 GHz - 2.480 GHz
Maksymalna moc transmisji	19.5 dBm EIRP 8 dBm EIRP



Kezelőelemek és kijelzők**A Soundbar kezelőfelület**

1. [POWER] gomb
2. [MODE] gomb
3. [Lejátszás / mikrofon némítása] gomb
4. [VOLUME] +/- gomb
5. Állapotjelző LED Hálózat
6. Állapotjelző LED Streaming
7. Állapotjelző LED Bluetooth/USB
8. Állapotjelző LED Optikai/koaxiális
9. Állapotjelző LED AUX/ Line In
10. Állapotjelző LED Dolby

B Hátdoldal

1. Line In aljzat B/I
2. AUX-In aljzat
3. Koaxiális aljzat
4. Optikai bemenet aljzat
5. [PAIRING] gomb hálózat
6. USB lejátszás
7. [PAIRING] gomb mélysugárzó
8. Hálózati tápkábel
9. A fali tartóra való felerősítéshez szükséges zsinór

C Távirányító

1. [POWER] gomb
2. [MUTE] gomb
3. Lejátszás gomb
4. [MUTE] gomb mikrofon
5. [BASS] +/- gombok
6. [VOLUME] +/- gombok
7. CINEMA
8. MUSIC
9. VOICE
10. KOAXIÁLIS bemenet mód
11. LINE In mód
12. AUX In mód
13. Bluetooth mód
14. [FORWARD] gomb
15. [PLAY/PAUSE] gomb
16. Optikai bemenet mód

D Mélysugárzó

1. [PAIRING] gomb mélysugárzó

 Fontos megjegyzés - Kezelési útmutató:

- Ez egy rövid útmutató, amely ellátja Önt fontos alapszabványokkal, mint a biztonsági előírások és a termék üzemi helyezése.
- Környezetvédelmi okokból és az értékes nyersanyagok megtakarítása érdekében a Hama cég lemond a papírra nyomtatott használati útmutatóról és ezt kizárólag letölthető PDF / eManual formában állítja rendelkezésre a www.hama.com honlapon.
- A könnyebb megtaláláshoz használja a kereső funkciót és keresőszóként a cikkszámot, hogy fellelje a termék dokumentációját.
- Alternatívaként a kezelési útmutató a következő QR kóddal is elérhető.
- Mentse el ezt a kezelési útmutatót számítógépére a későbbi fellapozáshoz és lehetőség szerint nyomtassa ki ezt.

1. Figyelmeztető szimbólumok és előírások ismertetése

Figyelmeztetés

Figyelmeztető jeleket használunk a biztonsági tényezők bemutatására, ill. felhívjuk a figyelmet a különleges veszélyekre és kockázatokra.

Hivatkozás

Az itt látható figyelmeztető jeleket használjuk fel, ha kiegészítő információkat közlünk vagy fontos tudnivalókra hívjuk fel a figyelmet.

Áramütés veszélye

Ez a szimbólum a termék azon nem szigetelt részeinek megérintésére vonatkozó veszélyre utal, amelyek olyan szintű veszélyes feszültségen lehetnek, ami miatt áramütés veszélye áll fenn.

2. A csomag tartalma

- Soundbar
- Mélysugárzó
- Távirányító
- 2x AAA elem
- 1x optikai jelkábel
- Hálózati tápegység
- Rövid útmutató

3. Biztonsági utasítások

- A termék magánháztartási, nem üzleti célú alkalmazásra készül.
- Védje a terméket szennyeződés, nedvesség és túlmelegedés elől, és azt csak száraz helyiségben használja.
- Ez a termék, mint minden elektromos termék, nem gyermekek kezébe való!
- Ne ejtse le a terméket és ne tegye ki heves rázkódásnak.
- Ne üzemeltesse a terméket a műszaki adatokban szereplő teljesítményhatárokon kívül.
- Feltétlenül tartsa távol a gyermekeket a csomagolóanyagtól, mert fulladásveszély áll fenn.
- Azonnal ártalmatlanítsa a csomagolóanyagot a helyileg érvényes ártalmatlanítási előírások szerint.
- Ne végezzen módosításokat a készüléken. Ebben az esetben minden garanciaigény megszűnik.

Áramütés veszélye

- Ne nyissa ki a terméket és sérülés esetén ne üzemeltesse tovább.
- Ne használja a terméket, ha az AC-adapter, az adapterkábel vagy a hálózati kábel megsérült.
- Ne kísérelje meg a készülék saját karbantartását vagy javítását. Bármely karbantartási munkát bízjon illetékes szakemberre.

Figyelmeztetés - elemek

- Feltétlenül ügyeljen az elemek megfelelő polarítására (+ és - felirat), és ennek megfelelően tegye be őket. Ennek figyelmen kívül hagyása esetén az elemek kifolyásának vagy fellobbanásának veszélye áll fenn.
- Ne engedje meg a gyermekeknek az elemcserét felügyelet nélkül.
- Ne keverje össze a régi és az új elemeket, valamint a különböző típusú vagy más gyártótól származó elemeket.
- Távolítsa el az elemeket azon termékekből, amelyeket hosszabb ideig nem használ.
- Ne zárja rövide az elemeket.
- Ne töltsen fel az elemeket.
- Ne dobja tűzbe az elemeket.
- Az elemeket gyermekek számára elzárt helyen tárolja.

4. Üzembevétel előtt

A távirányító üzembevétele

Nyissa fel az elemfiók fedelét. Ez a távirányító hátoldalán található és a megjelölt irányba tolassal nyitható. A szállított tartozékok közé két AAA elem tartozik, amelyeket üzembevitelhez be kell helyezni az elemfiókba. Behelyezéskor ügyeljen, hogy az elemeket helyes polaritással tegye be. Az előre megadott polaritás (+ / -) az elemfiókban van megjelölve.

5. Működtetés



Figyelmeztetés

- A terméket csak az arra a célra jóváhagyott dugaszaljzatról működtesse. A dugaszoló aljzatnak a termék közelében kell elhelyezkednie, és könnyen hozzáférhetőnek kell lennie.
- A terméket a be-/kikapcsolóval válassza le a hálózatról – ha ilyen nincs, húzza ki a hálózati kábelt a dugaszaljzattól.
- Dugaszor esetén ügyeljen rá, hogy a csatlakoztatott fogyasztók ne lépjék túl a megengedett összesített teljesítményfelvételt.
- Ha hosszabb ideig nem használja a terméket, válassza le a hálózatról.

Bekapcsolás

- Csatlakoztassa a Soundbar és a mélysugárzó tápkábelét a megfelelően telepített hálózati csatlakozókhoz.
- Nyomja meg a **[POWER]** (1) gombot a Soundbar bekapcsolásához. Alternatívaként nyomja meg a távirányítón a **[POWER]** gombot (1).



Megjegyzés - Első bekapcsoláskor

- Szállításkori állapotukban a Soundbar és a mélysugárzó már csatlakoztatva vannak egymással.
- Az első bekapcsoláskor a Soundbar „az eszköz első beállítása” módban van, miközben a hálózat állapotjelző LED-je (5) villog.

6. A Soundbar beállítása



Hivatkozás

- A termék összes funkciójának kihasználásához le kell töltenie az Amazon Alexa alkalmazást, és létre kell hoznia egy Amazon-fiókot. Ehhez kövesse az Amazon Alexa alkalmazás leírását. További információkat a www.amazon.com oldalon találhat.
- Győződjön meg arról, hogy készüléke rendelkezik a Soundbarral való csatlakozáshoz szükséges csatlakozókkal. Vegye figyelembe ehhez a használt végberendezése kezelési útmutatóját.

6.1. A Hama Smart Audio alkalmazás letöltése



Hivatkozás

- A termék a következő operációs rendszereket támogatja:
- iOS 8 vagy frissebb
 - Android 4.4.2 vagy frissebb
- Nyissa meg az iTunes Appstore-t vagy a Google Play Store-t az okostelefonon.
 - A keresőfunkció segítségével keresse meg az alkalmazást.
 - Töltse le az alkalmazást a megszokott módon és telepítse okostelefonjára. Ehhez kövesse okostelefonja leírását.

6.2. Az eszköz első beállítása a Hama Smart Audio alkalmazással (ALEXA funkció)



Hivatkozás Wi-Fi (vezeték nélküli hálózat)

- Bizonyosodjon meg róla, hogy a router be van kapcsolva, és van internetes/hálózati kapcsolat.
 - Ha ez még nem történt meg, aktiválja a router WLAN-kapcsolatát.
 - Ha kérdése van a router konfigurálásával kapcsolatban, a hibakereséshez/ problémamegoldáshoz használja a router használati útmutatóját.
- Győződjön meg arról, hogy a Soundbar Wi-Fi párosítási módban van. A hálózat állapotjelző LED-je (5) villog.
 - Győződjön meg arról, hogy okostelefonjára telepítve van a Hama Smart Audio alkalmazás.
 - Nyissa meg a Hama Smart Audio alkalmazást és koppintson **[CONFIGURE]**-t.
 - Ezután koppintson az **[Add More Speakers]**-re.
 - Nyissa meg az okostelefon Wi-Fi beállításait az **[OPEN Settings]**-re koppintással.
 - Keresse meg a **Hama SIRIUM4000ABT** Soundbart az okostelefon Wi-Fi beállításaiban.
 - Párosítsa okostelefonját a Soundbarral.
 - Ezután nyissa meg a Hama Smart Audio alkalmazást az okostelefonon.
 - Válassza ki a kívánt Wi-Fi nevet (SSID).
 - Ezután adja meg a hálózati kulcsot és erősítse meg a **[Save]**-vel.
 - A **[CONFIRM]**-re koppintással erősítse meg a kiválasztott beállításokat.
 - A Soundbar ezután csatlakozik a hálózathoz. A sikeres kapcsolódáskor a „Configured Successfully Hama Soundbar” felirat jelenik meg okostelefonon.
 - A hálózat állapotjelző LED-je (5) ezután folyamatosan kéken világít.
 - Koppintson a képernyő alján lévő **[Sources]** elemre az Amazon fiókhöz való csatlakozáshoz.
 - Ezután koppintson az **[Amazon Alexa]** képernyőgombra.

- Koppintson a **[Sign in with Amazon]**-ra a böngésző megnyitásához, hogy beírhasa hozzáférési adatait.
- Adja meg az Amazon fiókja hozzáférési adatait az okostelefon billentyűzetével.
- Létrehozhat új Amazon-fiókot is a **[Create a new Amazon account]**-ra való koppintással.
- A sikeres regisztráció után visszajut a Hama Smart Audio alkalmazásba.
- Ezt követően válassza ki azt a nyelvet, amelyre az Alexának a jövőben válaszolnia kell.
- Nyissa meg az Amazon Alexa alkalmazást, és adja meg újra hozzáférési adatait.
- Ezután elvégezheti személyes beállításait (időzóna, eszköz neve stb.) az Amazon Alexa alkalmazásban. További információkat a www.amazon.com oldal -> Hilfe und Kundenservice menüpontja alatt találhat.

Hivatkozás Alexa Push to talk/ Function Key

- Nyomja meg röviden a **[Lejátszás / mikrofon némitása]** gombot (3) a Soundbaron, hogy az Alexát audio lejátszás ill. magas hangerő közben aktiválja. Alternatívaként nyomja meg a távirányítón a lejátszás gombot (3).
- Nyomja meg és tartsa kb. 3 másodpercig lenyomva a **[Lejátszás / mikrofon némitása]** gombot (3) a mikrofon kikapcsolásához. Alternatívaként nyomja meg a [MUTE] gombot (4) a távirányítón. A Soundbar ezután nem reagál az aktiváló szóra, amíg a mikrofont nem aktiválják újra. Ha a mikrofon ki van kapcsolva, a Soundbar a rajta lévő gombokkal ill. a távirányítóval a továbbiakban is működtethető.

7. Első Bluetooth-kapcsolat (párosítás)

Bluetoothon keresztül csatlakoztathatja eszközeit a Soundbarral, amelyet így audio jelek lejátszóeszközeként használhat. A lejátszás közvetlenül az eszközéről vagy a távirányítóról vezérelhető. A hangerő közvetlenül a Soundbaron is szabályozható.

Hivatkozás – Bluetooth®

- Ellenőrizze, hogy a mobil eszköze (okostelefon, táblagép stb.) alkalmas-e Bluetooth-kapcsolatra.
 - Vegye figyelembe, hogy a Bluetooth® hatótávolsága maximum 10 méter akadályok, például falak, személyek stb. nélkül.
 - A kapcsolatot a közelben lévő más Bluetooth®-készülékek/kapcsolatok megzavarhatják.
 - A Soundbar egyszerre csak egy eszközhöz csatlakoztatható.
 - Vegye figyelembe, hogy a kompatibilitás a támogatott Bluetooth®-profiloktól és a használt Bluetooth®-verzióktól függ. (lásd: műszaki adatok, a használt eszköz kezelési útmutatója)
- Győződjön meg róla, hogy a Bluetooth-képes eszköz be van-e kapcsolva, és a Bluetooth aktiválva van-e.
 - Aktiválja a Soundbaron a **[MODE]** (2) gomb ismételt megnyomásával a Bluetooth módot.
 - Alternatívaként nyomja meg a távirányítón a **[Bluetooth]** gombot (13).
 - A Bluetooth állapotjelző LED-je (7) kéken kezd villogni.
 - Nyomja le és tartsa lenyomva kb. 5 percig a **[MODE]** (2) gombot a párosítási mód aktiválásához. A Bluetooth állapotjelző LED-je (7) gyorsan villogni kezd.
 - Nyissa meg eszközén a Bluetooth-beállításokat, és várjon, míg a talált Bluetooth-készülékek listájában megjelenik a Hama **SIRIUM4000ABT**.
 - Indítsa el adott esetben a Bluetooth-eszközök keresését az eszközén.
 - Válassza ki a **Hama SIRIUM4000ABT** Soundbart az elérhető eszközök listáján és várjon, míg a Soundbar eszköze Bluetooth beállításainál csatlakoztatva jelenik meg.
 - A Bluetooth állapotjelző LED-je (7) ezután folyamatosan kéken világít.

8. Csatlakozás AUX bemeneten/Line Innel

Az AUX analóg audio bemenettel (**Line In/ AUX**) számos készüléket (pl. okostelefon, tablet PC-t; MP3-lejátszót stb.), valamint régebbi analóg forrásokat (CD-/DVD-lejátszót stb.) csatlakoztathat a Soundbarhoz, és audio jelüket lejátszhatja a Soundbaron keresztül. Ehhez választhat a 3,5 mm-es audio kábel (jack kábel) vagy a RCA kábel csatlakoztatása között.

Hivatkozás

- Kapcsolja ki a Soundbart, mielőtt bármilyen készüléket csatlakoztat hozzá.
- Ne törje meg és ne csíptesse be a kábelt.
- A **LINE In** porton keresztül történő lejátszáshoz csatlakoztassa a készüléket a **LINE In** aljzaton keresztül (1) egy RCA kábellel a Soundbarhoz és válassza a **LINE In** módot.
- Az **AUX** csatlakozáson keresztül történő lejátszáshoz csatlakoztassa a készüléket a hangsávhoz az **AUX** aljzaton keresztül (2) egy 3,5 mm-es audiokábellel (jack kábel), és válassza ki az **AUX** módot.
- Nyomja meg a [POWER] (1) gombot a Soundbar bekapcsolásához.
- Aktiválja a Soundbaron a [MODE] (2) gomb ismételt megnyomásával a **Line In** ill. **AUX** módot.
- Az **AUX/Line In** állapotjelző LED-je (9) pirosan világít, amikor a **LINE IN** módot választja ki ill. kéken, ha az **AUX** módot választja ki.
- Alternatívaként nyomja meg a távirányítón lévő [AUX] (12) gombot a 3,5 mm-es audiokábellel (jack kábel) történő csatlakozáshoz, ill. a [**LINE In**] gombot (11) az RCA kábelen keresztül történő csatlakozáshoz.

9. Csatlakozás optikai/koaxiális kábelen

A Soundbar digitális audio bemenetén keresztül csatlakoztathatja készülékét (pl. TV-készüléket), és lejátszhatja annak audio jelét a Soundbaron keresztül. Ehhez választhat az optikai jelkábel vagy a koaxiális kábel csatlakoztatása között.

Hivatkozás

- Kapcsolja ki a Soundbart, mielőtt bármilyen készüléket csatlakoztat hozzá.
- A rögzítés előtt távolítsa el a védősapkát az optikai jelkábel mindkét végéről.
- Ne törje meg és ne csíptesse be a kábelt.

- Az optikai audio csatlakozón keresztül történő lejátszáshoz csatlakoztassa az optikai jelkábel (mellékelve) a Soundbar optikai audio bemenetéhez (4) és a készülék optikai audio kimenetéhez, majd válassza ki az optikai módot.
- Az koaxiális audio csatlakozón keresztül történő lejátszáshoz csatlakoztassa a koaxiális kábelt a Soundbar koaxiális audio bemenetéhez (3) és a készülék koaxiális audio kimenetéhez, majd válassza ki a koaxiális módot.
- Nyomja meg és tartsa kb. 3 másodpercig lenyomva a [POWER] gombot (1) a Soundbar bekapcsolásához.
- Aktiválja a Soundbaron a [MODE] (2) gomb ismételt megnyomásával az optikai ill. koaxiális módot.
- Az optikai/koaxiális állapotjelző LED (8) kéken világít, amikor az optikai módot, és pirosan, ha a koaxiális módot választotta.
- Alternatívaként nyomja meg a távirányítón lévő [Optical In] (16) gombot az optikai jelkábelrel történő csatlakozáshoz, ill. a [Coax In] gombot (10) a koaxiális kábelen keresztül történő csatlakozáshoz.

10. Karbantartás és ápolás

- Ezt a terméket csak szőszmentes, kissé benedvesített kendővel tisztítsa, és ne használjon agresszív tisztítószerrel.
- Amennyiben a terméket hosszabb ideig nem használja, kapcsolja ki a készüléket és válassza le az elektromos hálózatról. Tárolja tiszta, száraz, közvetlen napfénytől védett helyen.

11. Szavatosság kizárása

A Hama GmbH & Co. KG semmilyen felelősséget vagy szavatosságot nem vállal a termék szakszerűtlen telepítéséből, szereléséből és szakszerűtlen használatából, vagy a kezelési útmutató és/vagy a biztonsági előírások be nem tartásából eredő károkért.

12. Szerviz és támogatás

Kérjük, hogy a termékkel kapcsolatos kérdéseivel forduljon a Hama terméktanácsadáshoz.

Közvetlen vonal Közvetlen vonal:

+49 9091 502-115 (Deu/Eng)

További támogatási információt itt talál:

www.hama.com

13. Ártalmatlanítási előírások

Környezetvédelmi tudnivalók:



Az európai irányelvek 2012/19/EU és 2006/66/EU ajánlása szerint, a megjelölt időponttól kezdve, minden EU-s tagállamban érvényesek a következők: Az elektromos és elektronikai készülékeket és az elemeket nem szabad a háztartási szemétként kezelni! A leselejtezett elektromos és elektronikus készülékeket és elemeket, akkumulátorokat nem szabad a háztartási szemétként kezelni. Az elhasznált és működésképtelen elektromos és elektronikus készülékek gyűjtésére törvényi előírás kötelez mindenkit, ezért azokat el kell szállítani egy kijelölt gyűjtő helyre vagy visszavinni a vásárlás helyére. A termék csomagolásán feltüntetett szimbólum egyértelmű jelzést ad erre vonatkozóan a felhasználónak. A régi készülékek begyűjtése, visszaváltása vagy bármilyen formában történő újra hasznosítása közös hozzájárulás környezetünk védelméhez.

14. Megfelelőségi nyilatkozat

CE Hama GmbH & Co KG igazolja, hogy a [00054843] típusú rádióberendezés megfelel a 2014/53/EU irányelvnek. Az EU-megfelelőségi nyilatkozat teljes szövege elérhető a következő internetes címen:

www.hama.com -> 00054843 -> Downloads.

Az(ok) a frekvenciasáv(ok)	2.412 GHz – 2.483 GHz 2.402 GHz - 2.480 GHz
Maximális jelerősség	19,5 dBm EIRP 8 dBm EIRP



00054843

Ovládací prvky a indikace zobrazit

A Obslužné pole Soundbar

1. Tlačítko [POWER]
2. Tlačítko [MODE]
3. Tlačítko [Akce / ztlumení mikrofonu]
4. Tlačítka [VOLUME] +/-
5. Stavová LED dioda Síť
6. Stavová LED dioda Streaming
7. Stavová LED dioda Bluetooth/USB
8. Stavová LED dioda Optický/koaxiální
9. Stavová LED dioda AUX/Line In
10. Stavová LED dioda Dolby

B Zadní strana

1. Zdířka Line In L/R
2. Zdířka AUX In
3. Koaxiální zdířka
4. Zdířka Optical In
5. Tlačítko [PAIRING] pro síť
6. USB playback
7. Tlačítko [PAIRING] pro subwoofer
8. Síťový přívod
9. Závit k připevnění na nástěnný držák

C Dálkové ovládání

1. Tlačítko [POWER]
2. Tlačítko [MUTE]
3. Tlačítko akce
4. Tlačítko [MUTE] pro mikrofon
5. Tlačítka [BASS] +/-
6. Tlačítka [VOLUME] +/-
7. CINEMA
8. MUSIC
9. VOICE
10. Režim COAX IN
11. Režim LINE In
12. Režim AUX In
13. Režim Bluetooth
14. Tlačítko [FORWARD]
15. Tlačítko [PLAY/PAUSE]
16. Režim Optical In

D Subwoofer

1. Tlačítko [Pairing] pro subwoofer



Důležité upozornění - návod k použití:

- Jedná se stručný návod, který vám nabízí důležité základní informace, jako bezpečnostní pokyny a informace o uvedení vašeho výrobku do provozu.
- Z důvodu ochrany životního prostředí a úspory cenných surovin firma Hama návod k použití nedodává tištěnou formou a nabízí ho výhradně formou stažení ve formátu PDF/ eManual na adrese www.hama.com.
- Pro snadnější vyhledání dokumentace výrobku použijte funkci vyhledávání a jako hledaný pojem zadejte číslo výrobku.
- Alternativně se k návodu k použití dostanete také pomocí níže uvedeného kódu QR.
- Tento návod k použití si pro pozdější použití uložte na vašem počítači a podle možnosti si ho vytiskněte.

1. Vysvětlení výstražných symbolů a pokynů

Upozornění

Tento symbol označuje bezpečnostní upozornění, které poukazuje na určitá rizika a nebezpečí.

Poznámka

Tento symbol označuje dodatečné informace nebo důležité poznámky.

Nebezpečí poranění elektrickým proudem

Tento symbol upozorňuje na nebezpečí při dotyku neizolovaných částí produktu, které by mohly vést nebezpečné napětí o takové síle, že hrozí nebezpečí poranění elektrickým proudem.

2. Obsah balení

- Soundbar
- Subwoofer
- Dálkové ovládání
- 2x baterie AAA
- 1x optický signální kabel
- Napájecí zdroj
- Stručný návod

3. Bezpečnostní pokyny

- Výrobek je určen pro použití v soukromých domácnostech.
- Chraňte výrobek před znečištěním, vlhkostí a přehřátím a používejte ho pouze v suchých prostorách.
- Tento produkt, stejně jako všechny ostatní elektrické produkty, nepatří do rukou dětí!
- Zabraňte pádu výrobku a výrobek nevystavujte velkým otřesům.
- Výrobek neprovozujte mimo meze výkonu uvedené v technických údajích.
- Obalový materiál nepatří do rukou dětí, hrozí nebezpečí udušení.
- Obalový materiál likvidujte ihned podle platných místních předpisů o likvidaci.
- Na přístroji neprovádějte žádné změny. Tím zanikají veškeré závazky ze záruky.

Nebezpečí poranění elektrickým proudem

- Výrobek neotvírejte a v případě poškození již dále nepoužívejte.
- Výrobek nepoužívejte, pokud je AC-adaptér, kabel adaptéru nebo síťové vedení poškozeno.
- Do výrobku samovolně nezasahujte a neopravujte ho. Veškeré úkony údržby přenechejte příslušnému odbornému personálu.

Výstraha - baterie

- Při vkládání baterií vždy dbejte správné polarity (označení + a -) baterií a vložte ji odpovídajícím způsobem. Při nedodržení hrozí nebezpečí vytečení baterií nebo exploze.
- Nedovolte dětem provádět výměnu baterií bez dozoru.
- Staré a nové baterie nemíchejte, stejně tak nepoužívejte baterie různých typů a výrobců.
- Vyjměte baterie, pokud se výrobek nebude delší dobu používat.
- Baterie nepřemostřujte.
- Baterie nenabíjejte
- Baterie nevhazujte do ohně.
- Baterie uchovávejte mimo dosah dětí.

4. Před uvedením do provozu

Uvedení dálkového ovládání do provozu

Otevřete kryt přihrádky na baterie. Nachází se na zadní straně dálkového ovládání a můžete ho otevřít posunutím ve vyznačeném směru.

Součástí dodávky jsou také dvě baterie typu AAA, které musíte při uvádění do provozu vložit do přihrádky na baterie. Při vkládání baterií vždy dbejte na to, aby byly baterie vloženy se správnou polaritou. Předepsaná polarita (+ / -) je vyznačena v přihrádce na baterie.

5. Uvedení do provozu

Upozornění

- Výrobek provozujte pouze připojený ke schválené zásuvce. Zásuvka se musí nacházet v blízkosti výrobku a musí být snadno přístupná.
- Výrobek odpojte ze sítě pomocí vypínače – pokud není k dispozici, vytáhněte ze zásuvky síťový přívod.
- U vícenásobných zásuvek dbejte na to, aby připojené spotřebiče nepřekročily přípustnou celkovou spotřebu energie.
- Vypojte produkt ze sítě, pokud ho delší dobu nepoužíváte.

Zapnutí

- Připojte síťový kabel soundbaru a subwooferu do řádně instalovaných zásuvek.
- Stisknutím tlačítka **[POWER]** (1) zapnete soundbar. Alternativně stiskněte tlačítko **[POWER]** (1) na dálkovém ovládacím.

Upozornění – při prvním zapnutí

- Při dodání jsou již soundbar a subwoofer spojeny.
- Při prvním zapnutí se soundbar nachází v režimu „První nastavení zařízení“, jakmile stavová LED dioda Síť (5) bliká.

6. Nastavení soundbaru

Poznámka

- Abyste mohli plně využívat veškeré funkce produktu, musíte stáhnout aplikaci Amazon Alexa a vytvořit si účet na Amazonu. Za tímto účelem postupujte podle pokynů aplikace Amazon Alexa. Další informace najdete na stránkách www.amazon.com.
- Ujistěte se, že vaše koncové zařízení disponuje přípojkami nutnými ke spojení se soundbarem. Dodržujte návod k použití používaného koncového přístroje.

6.1. Stažení aplikace Hama Smart Audio

Poznámka

Podporovány jsou následující operační systémy:

- iOS 8 nebo vyšší
- Android 4.4.2 nebo vyšší
- Spusťte na svém smartphonu aplikaci iTunes AppStore nebo Google Play Store.
- Aplikaci můžete najít pomocí funkce vyhledávání.
- Stáhněte si aplikaci obvyklým způsobem a nainstalujte ji na svůj smartphone. Za tímto účelem postupujte podle pokynů svého smartphonu.

6.2. První nastavení zařízení s aplikací Hama Smart Audio (funkce ALEXA)

Poznámka WLAN (bezdrátová síť)

- Ujistěte se, že je router zapnutý a že je aktivní připojení k internetu/síti.
- Aktivujte, pokud jste tak ještě neučinili, připojení WLAN routeru.
- Pokud by se vyskytly otázky týkající se konfigurace routeru, použijte návod k obsluze routeru pro vyhledání chyby/vyřešení problému.
- Ujistěte se, že se soundbar nachází v režimu Párování WLAN. Stavová LED dioda Síť (5) bliká.
- Ujistěte se, že je na vašem smartphonu nainstalována aplikace Hama Smart Audio.
- Spusťte aplikaci Hama Smart Audio a stiskněte tlačítko **[CONFIGURE]**.
- Poté stiskněte tlačítko **[Add More Speakers]**.
- Otevřete nastavení WLAN ve vašem smartphonu stisknutím tlačítka **[OPEN Settings]**.
- V nastavení WLAN ve vašem smartphonu vyhledejte soundbar **Hama SIRIUM4000ABT**.
- Spojte svůj smartphone se soundbarem.
- Nyní na svém smartphonu spusťte aplikaci Hama Smart Audio.
- Vyberte požadovaný název WLAN (SSID).
- Nyní zadejte svůj síťový klíč a volbu potvrďte stisknutím tlačítka **[Save]**.
- Potvrďte zvolené nastavení stisknutím tlačítka **[CONFIRM]**.
- Soundbar se nyní propojí se sítí. Po úspěšném spojení se na smartphonu zobrazí zpráva „Configured Successfully Hama Soundbar“.
- Stavová LED dioda Síť (5) nyní trvale svítí modrou barvou.
- Stiskněte tlačítko **[Sources]** na spodním okraji obrazovky, abyste se připojili ke svému účtu na Amazonu.
- Poté stiskněte ikonu **[Amazon Alexa]**.

- Stiskněte tlačítko **[Sign in with Amazon]**, abyste otevřeli internetový prohlížeč pro zadání svých přístupových údajů.
- Pomocí klávesnice svého smartphonu zadejte přístupové údaje ke svému účtu Amazon.
- Alternativně můžete vytvořit nový účet Amazon stisknutím tlačítka **[Create a new Amazon account]**.
- Po úspěšném přihlášení se dostanete zpět do aplikace Hama Smart Audio.
- Nyní zvolte jazyk, na který má Alexa v budoucnu reagovat.
- Spusťte aplikaci Amazon Alexa a znovu zadejte své přístupové údaje.
- Poté v aplikaci Amazon Alexa zadejte své osobní nastavení (časové pásmo, jméno zařízení apod.). Další informace najdete na stránkách www.amazon.com -> Hilfe und Kundenservice.

Poznámka Alexa Push to talk / Function Key

- Na soundbaru stiskněte tlačítko **[Aktion / Mikrofon Mute]** (3), abyste aktivovali Alexu během audio provozu, resp. při vysoké hlasitosti. Alternativně stiskněte tlačítko akce (3) na dálkovém ovládní.
- Stisknutím a podržením tlačítka **[Akce / Mikrofon Mute]** (3) na cca 3 sekundy vypnete mikrofon. Alternativně stiskněte tlačítko **[MUTE]** (4) na dálkovém ovládní. Soundbar nyní nebude reagovat na aktivací slovo, dokud nebude mikrofon znovu aktivní. Je-li mikrofon vypnutý, lze soundbar nadále obsluhovat pomocí tlačítek na soundbaru, resp. na dálkovém ovládní.

7. První navázání spojení Bluetooth (spárování)

Přes Bluetooth můžete spojit koncová zařízení se soundbarem a použít ho jako zařízení pro reprodukci audio signálů. Reprodukce se přitom ovládá přímo přes koncové zařízení nebo dálkově ovládní. Přimo na soundbaru lze také regulovat hlasitost.

Poznámka – Bluetooth®

- Zkontrolujte, zda Vaše koncové mobilní zařízení (smartphone, tablet apod.) disponuje technologií Bluetooth.
 - Pozor, dosah Bluetooth® je max. 10 metrů, a to bez překážek, jako např. zdi, osob apod.
 - Může dojít k tomu, že spojení bude narušeno v důsledku dalších připojení/zařízení s technologií Bluetooth® nacházejících se v okolí.
 - Soundbar lze připojit vždy pouze k jednomu koncovému zařízení.
 - Mějte na paměti, že kompatibilita závisí na podporovaných profilech a použitých verzích Bluetooth® (viz: technická data, návod k použití používaného koncového zařízení).
- Zajistěte, aby bylo koncové zařízení s Bluetooth zapnuté a aby byla funkce Bluetooth aktivní.
 - Opakovaným stisknutím tlačítka **[MODE]** (2) na soundbaru aktivujete režim Bluetooth.
 - Alternativně stiskněte tlačítko **[POWER]** (13) na dálkovém ovládní.
 - Stavová LED dioda Bluetooth (7) začne modře blikat.
 - Stisknutím a podržením tlačítka **[MODE]** (2) na cca 5 sekund aktivujete režim párování. Stavová LED dioda Bluetooth (7) začne rychle blikat.
 - Otevřete nastavení Bluetooth na koncovém zařízení a vyčkejte, dokud se v seznamu nalezených přístrojů Bluetooth nezobrazí položka **Hama SIRIUM4000ABT**.
 - Spusťte na svém koncovém zařízení vyhledávání zařízení s Bluetooth.
 - Vyberte ze seznamu dostupných zařízení soundbar **Hama SIRIUM4000ABT** a počkejte, dokud se v nastaveních Bluetooth vašeho koncového zařízení nezobrazí soundbar jako připojený.
 - Stavová LED dioda Bluetooth (7) nyní trvale svítí modrou barvou.
 - Spusťte a podle požadavků ovládejte přehrávání audia přes koncové zařízení, resp. dálkově ovládní.

8. Spojení přes Auxiliary Input/Line In

Přes analogové audio vstupy (Line In / AUX) lze připojit mnoho koncových zařízení (např. smartphone, tablet PC, MP3 přehrávač atd.) i starší analogové zdroje (CD/DVD přehrávač apod.) k soundbaru a přes něj reprodukovat jejich audio signál. Za tímto účelem máte možnost zvolit buď připojení pomocí audio kabelu 3,5 mm (jack) nebo kabelu s konektory cinch.

Poznámka

- Před připojením koncového zařízení nejprve vypněte soundbar.
- Kabel nelámejte a nedeformujte.
- Pro reprodukci přes připojení **LINE In** spojte své koncové zařízení pomocí **LINE In** zdířky (1) a kabelu s konektory cinch se soundbarem a zvolte režim LINE In.
- Pro reprodukci přes připojení **AUX** spojte své koncové zařízení pomocí **AUX** zdířky (2) a audio kabelu 3,5 mm (jack) se soundbarem a zvolte režim AUX.
- Stisknutím tlačítka [POWER] (1) zapněte soundbar.
- Opakovaným stisknutím tlačítka [MODE] (2) na soundbaru aktivujte režim **Line In**, resp. **AUX**.
- Stavová LED dioda **AUX/Line In** (9) svítí červeně, pokud je zvolen režim **LINE IN**, resp. modře, pokud je zvolen režim **AUX**.
- Alternativně stiskněte tlačítko [AUX] (12) na dálkovém ovládacím při spojení přes audio kabel 3,5 mm (jack), resp. tlačítko **LINE In** (11) při spojení přes kabel s konektory cinch.

9. Spojení přes optický/koaxiální kabel

Na digitální audio vstupy soundbaru můžete připojit koncové zařízení (např. TV) a reprodukovat jeho audio signál přes soundbar. Za tímto účelem máte možnost zvolit buď připojení pomocí optického signálního kabelu nebo koaxiálního kabelu.

Poznámka

- Před připojením koncového zařízení nejprve vypněte soundbar.
- Před připojením odstraňte ochranné pojistky z obou konců optického signálního kabelu.
- Kabel nelámejte a nedeformujte.

- Pro reprodukci přes optické audio připojení připojte optický signální kabel (součástí dodávky) k optickému audio vstupu (4) soundbaru a k optickému audio výstupu svého koncového zařízení a následně zvolte režim Optical.
- Pro reprodukci přes koaxiální audio připojení připojte koaxiální kabel ke koaxiálnímu audio vstupu (3) soundbaru a ke koaxiálnímu audio výstupu svého koncového zařízení a následně zvolte režim Coaxial.
- Stisknutím a podržením tlačítka [POWER] (1) na cca 3 sekundy zapněte soundbar.
- Opakovaným stisknutím tlačítka [MODE] (2) na soundbaru aktivujte režim Optical, resp. Coaxial.
- Stavová LED dioda Optical/Coaxial (8) svítí modře, pokud byl zvolen režim Optical, resp. červeně, pokud byl zvolen režim Coaxial.
- Alternativně stiskněte tlačítko [Optical In] (16) na dálkovém ovládacím při spojení přes optický signální kabel, resp. tlačítko [Coax In] (10) při spojení přes koaxiální kabel.

10. Údržba a čištění

- Tento výrobek čistěte pouze mírně navlhčeným hadříkem nepouštějícím vlákna a nepoužívejte agresivní čisticí prostředky.
- Pokud nebudete výrobek po delší dobu používat, přístroj vypněte a odpojte ho od napájení. Skladujte ho na čistém, suchém místě bez přímého slunečního záření.

11. Vyloučení záruky

Hama GmbH & Co. KG nepřebírá žádnou odpovědnost nebo záruku za škody vzniklé neodbornou instalací, montáží nebo neodborným použitím výrobku nebo nedodržováním návodu k použití a/nebo bezpečnostních pokynů.

12. Servis a podpora

Máte otázky k produktu ? Obratě na na poradenské oddělení Hama.

Horká linka: +49 9091 502-115 (německy/anglicky)

Další podpůrné informace naleznete na adrese:

www.hama.com

13. Pokyny k likvidaci

Ochrana životního prostředí:



Evropská směrnice 2012/19/EU a 2006/66/EU ustanovujete následující: Elektrická a elektronická zařízení stejně jako baterie nepatří do domovního odpadu. Spotřebitel se zavazuje

odevzdat všechna zařízení a baterie po uplynutí jejich životnosti do příslušných sběrů. Podrobnosti stanoví zákon příslušné země. Symbol na produktu, návod k obsluze nebo balení na toto poukazuje. Recyklací a jinými způsoby zužitkování přispíváte k ochraně životního prostředí.

14. Prohlášení o shodě

CE Tímto Hama GmbH & Co KG prohlašuje, že typ rádiového zařízení [00054843] je v souladu se směrnicí 2014/53/EU. Úplné znění EU prohlášení o shodě je k dispozici na této internetové adrese: www.hama.com -> 00054843 -> Downloads.

Kmitočtové pásmo (kmitočtová pásma)	2.412 GHz – 2.483 GHz 2.402 GHz - 2.480 GHz
Maximální radiofrekvenční výkon vysílaný	19.5 dBm EIRP 8 dBm EIRP

00054843



Ovládacie a indikačné prvky

A Ovládací panel zariadenia Soundbar

1. Tlačidlo [POWER]
2. Tlačidlo [MODE]
3. Tlačidlo [ACTION/Microphone Mute]
4. Tlačidlo [VOLUME] +/-
5. LED indikátor stavu – sieť
6. LED indikátor stavu – streamovanie
7. LED indikátor stavu – Bluetooth/USB
8. LED indikátor stavu – Optical/Coaxial
9. LED indikátor stavu – AUX/Line In
10. LED indikátor stavu – Dolby

B Zadná strana

1. Zdieľka Line In L/R
2. Zdieľka AUX In
3. Zdieľka na koaxiálny kábel
4. Zdieľka Optical In
5. Tlačidlo [PAIRING] – Sieť
6. USB Playback
7. Tlačidlo [PAIRING] – Subwoofer
8. Napájacie vedenie
9. Závit na upevnenie na nástennom držiaku

C Diaľkové ovládanie

1. Tlačidlo [POWER]
2. Tlačidlo [MUTE]
3. Tlačidlo Action
4. Tlačidlo [MUTE] – Mikrofón
5. Tlačidlá [BASS] +/-
6. Tlačidlá [VOLUME] +/-
7. CINEMA
8. MUSIC
9. VOICE
10. Režim COAX IN
11. Režim LINE In
12. Režim AUX In
13. Režim Bluetooth
14. Tlačidlo [FORWARD]
15. Tlačidlo [PLAY/PAUSE]
16. Režim Optical IN

D Subwoofer

1. Tlačidlo [Pairing] Subwoofer

Dôležité upozornenie - návod na používanie:

- Toto je stručný návod, ktorý vám poskytuje dôležité základné informácie, napr. bezpečnostné upozornenia a uvedenie vášho výrobku do prevádzky.
- Z dôvodu ochrany životného prostredia a úspory hodnotných surovín nepoužíva firma Hama vytlačený návod na obsluhu a ponúka ho na stiahnutie výlučne vo forme PDF / eManual na adrese www.hama.com.
- Na jednoduchšie nájdenie použijete funkciu hľadania a ako vyhľadávacie slovo číslo výrobku pre vstup do výrobkovej dokumentácie.
- Alternatívne vám prístup do návodu na používanie umožní nasledujúci QR kód.
- Tento návod na používanie si uložte pre prípad neskoršej potreby na počítači a vytlačte si ho podľa možnosti.

1. Vysvetlenie výstražných symbolov a upozornení

Upozornenie

Tento symbol označuje bezpečnostné upozornenie, ktoré poukazuje na určité riziká a nebezpečenstva.

Poznámka

Tento symbol označuje dodatočné informácie, alebo dôležité poznámky.

Nebezpečenstvo elektrického úderu

Tento symbol upozorňuje na nebezpečenstvo dotyku neizolovaných častí výrobku, ktoré sú eventuálne pod tak vysokým nebezpečným napätím, že hrozí nebezpečenstvo elektrického úderu.

2. Obsah balenia

- Soundbar
- Subwoofer
- Diaľkové ovládanie
- 2x AAA batérie
- 1x optický signálny kábel
- Napájací zdroj
- Stručný návod

3. Bezpečnostné upozornenia

- Tento výrobok je určený pre súkromné použitie v domácnosti, nie je určený na komerčné použitie.
- Výrobok chráňte pred znečistením, vlhkosťou a prehriatím a používajte ho len v suchých priestoroch.
- Tento výrobok, rovnako ako všetky elektrické výrobky, nepatria do rúk detí!
- Výrobok nenechajte spadnúť a nevystavujte ho silným otrasom.
- Výrobok neprevádzkujte mimo svojich výkonových medzí uvedených v technických údajoch.
- Obalový materiál uchovávajte mimo dosahu detí, hrozí nebezpečenstvo udusenía.
- Likvidujte obalový materiál okamžite podľa platných miestnych predpisov na likvidáciu odpadov.
- Na prístroji nerobte žiadne zmeny. Dôjde tak ku strate nároku zo zákonnej zodpovednosti za vady.

Nebezpečenstvo elektrického úderu

- Výrobok neotvárajte a neprevádzkujte ho ďalej, ak je poškodený.
- Výrobok nepoužívajte, ak sú poškodené AC adaptér, adaptérový kábel alebo sieťové vedenie.
- Nepokúšajte sa výrobok samostatne ošetrovať alebo opravovať. Prenehajte akékoľvek úkony údržby kompetentnému odbornému personálu.

Výstraha – batérie

- Dbajte bezpodmienečne na správnu polaritu (značenie + a -) batérií a vložte ich príslušným spôsobom. V prípade nerešpektovania hrozí nebezpečenstvo vytečenia alebo výbuchu batérií.
- Deform nedovoľte výmenu batérií bez dohľadu.
- Použité batérie nemiešajte s novými, nepoužívajte rozličné typy batérií alebo batérie od rôznych výrobcov.
- Odstráňte batérie z výrobkov, ak ich nebudete dlhšiu dobu používať.
- Batérie neskratujte.
- Batérie nenabíjajte.
- Batérie nevhadzujte do ohňa.
- Batérie uchovávajte mimo dosahu detí.

4. Pred uvedením do prevádzky

Uvedenie diaľkového ovládania do prevádzky

Otvorte kryt priehradky na batérie. Nachádza sa na zadnej strane diaľkového ovládania a otvorí sa dá posunutím do označeného smeru.

Súčasťou dodávky sú dve AAA batérie, ktoré musíte vložiť do priehradky na batérie na uvedenie do prevádzky. Dbajte pri vkladaní na to, aby batérie boli vložené so správnou polaritou. Zadaná polarita (+/-) je v batériovej priehradke označená.

5. Uvedenie do prevádzky

Upozornenie

- Výrobok používajte pripojený iba k schválenej zásuvke. Zásuvka musí byť umiestnená v blízkosti výrobu a musí byť ľahko prístupná.
- Výrobok odpojte od siete vypínačom I/O – ak neexistuje, vytiahnite sieťové vedenie zo zásuvky.
- V prípade viacnásobných zásuviek dávajte pozor na to, aby pripojené spotrebiče neprekročili celkový dovolený príkon.
- Ak výrobok dlhšiu dobu nepoužívate, odpojte ho od elektrickej siete.

Zapnutie

- Pripojte sieťový kábel zariadenia Soundbar a subwoofera do správne nainštalovaných zásuviek.
- Stlačením tlačidla [POWER] (1) zapnete zariadenie Soundbar. Reproduktor môžete zapnúť aj stlačením tlačidla [POWER] (1) na diaľkovom ovládaní.

Upozornenie – pri prvom zapnutí

- Soundbar a subwoofer sú spárované už pri dodaní.
- Keď začne pri prvom zapnutí blikať LED indikátor stavu – sieť (5), Soundbar sa nachádza v režime „Prvé nastavenie zariadenia“.

6. Nastavenie zariadenia Soundbar

Poznámka

- Aby ste mohli využívať všetky funkcie produktu, je potrebné si stiahnuť aplikáciu Amazon Alexa a založiť účet na Amazone. Postupujte podľa pokynov v aplikácii Amazon Alexa. Ďalšie informácie nájdete na www.amazon.com.
- Uistite sa, že vaše koncové zariadenie disponuje potrebnými prípojkami na spojenie so zariadením Soundbar. Postupujte pritom podľa návodu na obsluhu vášho použitého koncového zariadenia.

6.1. Stiahnutie aplikácie Hama Smart Audio

Poznámka

Zariadenie podporuje nasledovné operačné systémy:

- iOS 8 alebo vyšší
- Android 4.4.2 alebo vyšší
- Otvorte iTunes AppStore alebo Google Play Store na svojom smartfóne.
- Pomocou funkcie vyhľadávania nájdite aplikáciu.
- Stiahnite aplikáciu obvyklým spôsobom a nainštalujte ju na svoj smartfón. Postupujte podľa pokynov na smartfóne.

6.2. Prvé nastavenie zariadenia pomocou aplikácie Hama Smart Audio (Funkcia ALEXA)

Poznámka WLAN (bezdrôtová sieť)

- Presvedčte sa, či je router zapnutý a či je vytvorené internetové/sieťové spojenie.
- Ak ste tak ešte neurobili, aktivujte WLAN pripojenie vášho routera.
- Ak by vám v súvislosti s konfiguráciou routera, bolo niečo nejasné, na vyhľadanie poruchy/riešenie problému použite návod na používanie routera.
- Uistite sa, že sa Soundbar nachádza v režime párovania cez WLAN. Bliká LED indikátor stavu – sieť (5).
- Uistite sa, že máte na telefóne nainštalovanú aplikáciu Hama Smart Audio.
- Otvorte aplikáciu Hama Smart Audio a stlačte **[CONFIGURE]**.
- Potom stlačte **[Add More Speakers]**.
- Stlačením **[OPEN Settings]** otvoríte nastavenia WLAN vo vašom telefóne.
- V nastaveniach WLAN vo vašom telefóne vyhľadajte Soundbar **Hama SIRIUM4000ABT**.
- Spárujte svoj telefón so zariadením Soundbar.
- Teraz na telefóne otvoríte aplikáciu Hama Smart Audio.
- Zvoľte si želaný názov WLAN (SSID).
- Zadajte želané heslo k sieti a potvrdte stlačením **[Save]**.
- Zvolené nastavenia potvrdte stlačením **[CONFIRM]**.
- Zariadenie Soundbar sa teraz pripojí k sieti. Po úspešnom pripojení sa na smartfóne zobrazí hlásenie „Configured Successfully Hama Soundbar“.
- LED indikátor stavu – sieť (5) teraz neprerušovane svieti na modro.
- Pripojenie s vaším účtom Amazon vytvoríte stlačením **[Sources]** na spodnom okraji obrazovky.
- Potom stlačte ikonku **[Amazon Alexa]**.
- Stlačte **[Sign in with Amazon]** a otvorí sa vám internetový prehliadač, kde môžete zadať svoje prístupové údaje.

- Pomocou klávesnice vášho telefónu zadajte prístupové údaje k svojmu účtu Amazon.
- Alebo môžete stlačiť **[Create a new Amazon account]** a vytvoriť si nový účet Amazon.
- Po úspešnom prihlásení sa vráťte do aplikácie Hama Smart Audio.
- Voľte si jazyk, na ktorý bude Alexa reagovať.
- Otvorte aplikáciu Amazon Alexa a znova zadajte prístupové údaje.
- V aplikácii Amazon Alexa si navoľte svoje osobné nastavenia (časové pásmo, názov zariadenia a pod.).
Ďalšie informácie nájdete na www.amazon.com. -> Hilfe und Kundenservice (Pomoc a zákaznícka podpora).

i Poznámka Tlačidlo Alexa Push to talk/Function

- Krátko stlačte tlačidlo **[ACTION/Microphone Mute]** (3) na reproduktore Soundbar, čím Alexu aktivujete počas audio prevádzky, resp. vyššej hlasitosti Alexu môžete aktivovať aj stlačením tlačidla Action (3) na diaľkovom ovládaní.
- Mikrofón vypnete stlačením a podržaním tlačidla **[ACTION/Microphone Mute]** (3) na 3 sekundy. Mikrofón môžete vypnúť aj stlačením tlačidla **[MUTE]** (4) na diaľkovom ovládaní. V takom prípade nebude zariadenie Soundbar reagovať na aktivačné heslo, kým mikrofón znova nezapnete. Ak je mikrofón vypnutý, môžete zariadenie Soundbar naďalej ovládať pomocou tlačidiel na zariadení Soundbar alebo na diaľkovom ovládači.

7. Prvé spojenie Bluetooth (párovanie)

Prostredníctvom funkcie Bluetooth môžete vaše koncové zariadenia spárovať so zariadením Soundbar a použiť ho ako prehrávacie zariadenie pre audiosignály. Prehrávanie môžete ovládať priamo cez koncové zariadenie alebo diaľkové ovládanie. Hlasitosť môžete ovládať aj priamo na zariadení Soundbar.

i Poznámka – Bluetooth®

- Skontrolujte, či má vaše koncové zariadenie (smartfón, tabletový počítač atď.) funkciu Bluetooth.
 - Upozorňujeme, že dosah funkcie Bluetooth® je max. 10 m bez prekážok, ako sú steny, osoby atď.
 - Môže sa stať, že spojenie je rušené ďalšími zariadeniami/spojeniami Bluetooth® v okolí.
 - Reproduktor Soundbar môže byť spárovaný vždy iba s jedným koncovým zariadením.
 - Upozorňujeme, že kompatibilita závisí od podporovaných profilov Bluetooth®, ako aj použitých verzií Bluetooth®. (pozrite: Technické údaje, Návod na obsluhu použitého koncového zariadenia).
- Uistite sa, že je vaše koncové zariadenie s funkciou Bluetooth zapnuté a že je funkcia Bluetooth aktivovaná.
 - Opakovaným stláčaním tlačidla **[MODE]** (2) na zariadení Soundbar aktivujete režim Bluetooth.
 - Režim Bluetooth môžete aktivovať aj stlačením tlačidla **[Bluetooth]** (13) na diaľkovom ovládaní.
 - LED indikátor stavu – Bluetooth (7) začne blikať na modro.
 - Stlačte a podržte tlačidlo **[MODE]** (2) na cca 5 sekúnd, čím aktivujete režim párovania. LED indikátor stavu – Bluetooth (7) začne blikať na modro.
 - Otvorte na vašom koncovom zariadení nastavenia Bluetooth a počkajte, kým sa v zozname nájdených zariadení Bluetooth nezobrazí **Hama SIRIUM4000ABT**.
 - Prípadne spustíte vyhľadávanie zariadení Bluetooth na vašom koncovom zariadení.
 - V zozname dostupných zariadení zvolte Soundbar **Hama SIRIUM4000ABT** a počkajte, kým sa Soundbar nezobrazí v nastaveniach Bluetooth vášho koncového zariadenia ako spárovaný.
 - LED indikátor stavu – Bluetooth (7) teraz neprerušovane svieti na modro.
 - Spustite a ovládajte prehrávanie cez koncové zariadenie alebo diaľkové ovládanie.

8. Spojenie cez Auxiliary Input/Line In

Cez analógové audio vstupy (**Line In/AUX**) môžete k reproduktoru Soundbar pripojiť mobilné koncové zariadenia (napr. smartfón, tabletový počítač, MP3 prehrávač atď.), ako aj staršie analógové zdroje (CD/DVD prehrávač atď.) a prehrávať ich audiosignál cez reproduktor Soundbar. Na tento účel máte na výber pripojenie cez 3,5 mm audio kábel (kábel s konektorom typu jack) alebo cez cinch kábel.

Poznámka

- Pred pripojením koncového zariadenia reproduktor Soundbar vypnite.
- Kábel nelámte a nedeformujte.
- Na prehrávanie cez prípojku **LINE In** pripojte koncové zariadenie k reproduktoru Soundbar pomocou cinch kábla cez zdierku **LINE In** (1) a zvolte režim **LINE In**.
- Na prehrávanie cez prípojku **AUX** pripojte koncové zariadenie k zariadeniu Soundbar pomocou 3,5 mm audiokábla (kábel s konektorom typu jack) cez zdierku **AUX** (2) a zvolte režim **AUX**.
- Stlačením tlačidla [POWER] (1) zapnete zariadenie Soundbar.
- Opakovaným stláčaním tlačidla [**MODE**] (2) na zariadení Soundbar aktivujete režim Line In, resp. AUX.
- Keď je zvolený režim **LINE IN**, LED indikátor **AUX/Line In** (9) svieti na červeno a keď je zvolený režim **AUX**, indikátor svieti na modro.
- Voľbu režimu môžete vykonať aj pomocou diaľkového ovládania – stlačte [**AUX**] (12) pri pripojení cez 3,5 mm audiokábel (kábel s konektorom typu jack), resp. [**LINE In**] (11) pri pripojení cez cinch kábel.

9. Spojenie cez optický/koaxiálny kábel

Cez digitálne audiovstupy zariadenia Soundbar môžete pripojiť vaše koncové zariadenie (napr. televízor atď.) a prehrávať jeho audiosignál cez zariadenie Soundbar. Na tento účel máte na výber pripojenie cez optický signálny kábel alebo koaxiálny kábel.

Poznámka

- Pred pripojením koncového zariadenia reproduktor Soundbar vypnite.
- Pred pripojením odstráňte ochranné kryty z obidvoch koncov optického signálneho kábla.
- Kábel nelámte a nedeformujte.

- Ak chcete prehrávať cez optickú audio prípojku, zapojte optický signálny kábel (obsiahnutý v balení) k optickému audiovstupu (4) zariadenia Soundbar a k optickému audiovstupu vášho koncového zariadenia a vyberte režim Optical.
- Ak chcete prehrávať cez koaxiálnu audio prípojku, zapojte koaxiálny kábel ku koaxiálnemu audio vstupu (3) reproduktora Soundbar a ku koaxiálnemu audiovstupu vášho koncového zariadenia a vyberte režim Coaxial.
- Zariadenie Soundbar vypnete stlačením a podržaním tlačidla [POWER] (1) cca na 3 sekundy.
- Opakovaným stláčaním tlačidla [MODE] (2) na zariadení Soundbar aktivujete režim Optical, resp. Coaxial.
- Keď je zvolený režim Optical, LED indikátor Optical/Coaxial (8) svieti na modro a keď je zvolený režim Coaxial, indikátor svieti na červeno.
- Voľbu režimu môžete vykonať aj pomocou diaľkového ovládania – stlačte [Optical In] (16) pri pripojení cez optický signálny kábel, resp. [Coax In] (10) pri pripojení cez koaxiálny kábel.

10. Údržba a starostlivosť

- Na čistenie tohto výrobku používajte len navlhčenú utierku, ktorá nepúšťa vlákna a nepoužívajte žiadne agresívne čistiace prostriedky.
- Ak výrobok nebudete dlhšiu dobu používať, vypnite zariadenie a odpojte ho od napájania. Uschovajte ho na čistom, suchom mieste bez priameho slnečného žiarenia.

11. Vylúčenie záruky

Firma Hama GmbH & Co KG neručí/nezodpovedá za škody vyplývajúce z neodbornej inštalácie, montáže alebo neodborného používania výrobku alebo z nerešpektovania návodu na používanie a/alebo bezpečnostných pokynov.

12. Servis a podpora

S otázkami týkajúcimi sa výrobku sa prosím obráťte na poradenské oddelenie firmy Hama.

Hotline: +49 9091 502-115 (nem./angl.)

Ďalšie informácie o podpore nájdete tu:

www.hama.com

13. Pokyny pre likvidáciu

Ochrana životného prostredia:



Európska smernica 2012/19/EU a 2006/66/EU stanovuje: Elektrické a elektronické zariadenia, rovnako ako batérie sa nesmú vyhadzovať do domáceho odpadu. Spotrebiteľ je zo zákona

povinný zlikvidovať elektrické a elektronické zariadenia, rovnako ako batérie na miesta k tomu určené. Symbolizuje to obrázok v návode na použitie, alebo na balení výrobku. Opätovným zužitkovaním alebo inou formou recyklácie starých zariadení/batérií prispievate k ochrane životného prostredia.

14. Vyhlásenie o zhode

CE Hama GmbH & Co KG týmto vyhlasuje, že rádiové zariadenie typu [00054843] je v súlade so smernicou 2014/53/EÚ. Úplné EÚ vyhlásenie o

zhode je k dispozícii na tejto internetovej adrese:

www.hama.com -> 00054843 -> Downloads.

Frekvenčné pásmo resp. pásma	2.412 GHz – 2.483 GHz 2.402 GHz - 2.480 GHz
Maximálny vysokofrekvenčný	19,5 dBm EIRP 8 dBm EIRP



Elementos de comando e indicadores

A Painel de comando da soundbar

1. Botão [POWER]
2. Botão [MODE]
3. Botão [Ação/Mute do microfone]
4. Botões +/- [VOLUME]
5. LED de estado da rede
6. LED de estado Streaming
7. LED de estado Bluetooth/USB
8. LED de estado Optical/Coaxial
9. LED de estado AUX/Line In
10. LED de estado Dolby

B Parte traseira

1. Tomada Line In L/R
2. Tomada AUX In
3. Tomada Coaxial
4. Tomada Optical-In
5. Botão [PAIRING] da rede
6. Reprodução USB
7. Botão [PAIRING] do subwoofer
8. Cabo de alimentação
9. Rosca para a fixação no suporte de parede

C Telecomando

1. Botão [POWER]
2. Botão [MUTE]
3. Botão de ação
4. Botão [MUTE] do microfone
5. Botões +/- [BASS]
6. Botões +/- [VOLUME]
7. CINEMA
8. MUSIC
9. VOICE
10. Modo COAX IN
11. Modo LINE In
12. Modo AUX In
13. Modo Bluetooth
14. Botão [FORWARD]
15. Botão [PLAY/PAUSE]
16. Modo Optical In

D Subwoofer

1. Botão [PAIRING] do subwoofer

Nota importante - Manual de instruções:

- O presente documento contém instruções resumidas, que lhe fornecem informações básicas importantes, como indicações de segurança e informações sobre a colocação em funcionamento do seu produto.
- Por motivos de proteção ambiental e de poupança de recursos valiosos, a empresa Hama prescinde de um manual de instruções impresso e oferece o mesmo exclusivamente como ficheiro PDF/manual eletrónico em www.hama.com.
- Para uma fácil localização, utilize a função de pesquisa e introduza o número do artigo como termo de pesquisa para encontrar a documentação do produto.
- Em alternativa, pode aceder ao manual de instruções através do código QR que se segue.
- Guarde este manual de instruções no seu computador para consulta e imprima-o, se necessário.

1. Descrição dos símbolos de aviso e das notas

Aviso

É utilizado para identificar informações de segurança ou chamar a atenção para perigos e riscos especiais.

Nota

É utilizado para identificar informações adicionais ou notas importantes.

Perigo de choque eléctrico

Este símbolo remete para um perigo de toque de partes não isoladas do produto eventualmente condutoras de tensão perigosa que poderão representar um perigo de choque eléctrico.

2. Conteúdo da embalagem

- Soundbar
- Subwoofer
- Telecomando
- 2 pilhas AAA
- 1 cabo de sinal ótico
- Fonte de alimentação
- Instruções resumidas

3. Indicações de segurança

- O produto está previsto apenas para utilização doméstica e não comercial.
- Proteja o produto contra sujidade, humidade e sobreaquecimento e utilize-o somente em espaços secos.
- Este produto não deve ser manuseado por crianças, tal como qualquer produto eléctrico!
- Não deixe cair o produto, nem o submeta a choques fortes.
- Não utilize o produto fora dos limites de desempenho indicados nas especificações técnicas.
- Mantenha o material da embalagem fora do alcance das crianças. Existe perigo de asfixia.
- Elimine imediatamente o material da embalagem em conformidade com as normas locais aplicáveis.
- Não efetue modificações no aparelho. Caso contrário, perderia todos os direitos de garantia.

Perigo de choque eléctrico

- Não abra o produto, nem o continue a utilizar em caso de danos.
- Não utilize o produto se o transformador CA, o cabo adaptador ou o cabo de alimentação estiver danificado.
- Não tente fazer qualquer manutenção ou reparação do produto. Qualquer trabalho de manutenção deve ser executado por técnicos especializados.

Aviso – Pilhas

- Ao colocar as pilhas, tenha em atenção a polaridade correta (inscrições + e -). A não observação da polaridade correta poderá levar a um derramamento ou explosão das pilhas.
- Não deixe crianças substituírem as pilhas sem vigilância.
- Não utilize pilhas de diferentes tipos ou fabricantes, nem misture pilhas novas e usadas.
- Remova as pilhas do produto se este não for utilizado durante um longo período de tempo.
- Não provoque um curto-circuito nas pilhas.
- Não recarregue as pilhas.
- Não coloque as pilhas no fogo.
- Mantenha as pilhas fora do alcance das crianças.

4. Antes da colocação em funcionamento

Colocar o telecomando em funcionamento

Retire a tampa do compartimento das pilhas. Esta encontra-se na parte traseira do telecomando e pode ser aberta ao ser deslizada na direcção indicada.

No material fornecido, estão incluídas duas pilhas AAA, que tem de inserir no compartimento das pilhas para a colocação em funcionamento. Tenha atenção para que as pilhas sejam colocadas com a polaridade correta. A polaridade correta (+/-) está inscrita no compartimento das pilhas.

5. Colocação em funcionamento

Aviso

- Ligue o produto apenas a uma tomada eléctrica adequada. A tomada eléctrica deve estar localizada na proximidade do produto e deve ser facilmente acessível.
- Desligue o produto da rede eléctrica com o botão de ligar/desligar e se o produto não possuir este botão, retire a ficha da tomada eléctrica.
- No caso de tomadas múltiplas, certifique-se de que os aparelhos ligados não excedem o consumo total de energia permitido.
- Desligue o produto da rede eléctrica quando não o utilizar durante um longo período.

Ligar

- Ligue o cabo de alimentação da soundbar e do subwoofer a tomadas instaladas corretamente.
- Prima [POWER] (1) para ligar a soundbar. Como alternativa, prima o botão [POWER] (1) no telecomando.

Nota – primeira ligação

- No estado de fornecimento, a soundbar e o subwoofer já estão conectados entre si.
- Na primeira vez que ligar a soundbar, esta encontra-se no modo "Primeira configuração do aparelho" assim que o LED de estado da rede (5) pisca.

6. Configuração da soundbar

Nota

- Para poder utilizar todas as funções do produto, é necessário descarregar adicionalmente a aplicação Alexa da Amazon, bem como criar uma conta Amazon. Para isso, siga as instruções na aplicação Alexa da Amazon. Para mais informações, consulte a página www.amazon.com.
- Certifique-se de que o seu dispositivo possui as tomadas necessárias para conectar a soundbar. Por conseguinte, consulte o manual de instruções do dispositivo utilizado.

6.1. Descarregar a aplicação Smart Audio da Hama

Nota

São suportados os seguintes sistemas operativos:

- iOS 8 ou superior
- Android 4.4.2 ou superior
- Abra a iTunes AppStore ou a Google Play Store no seu smartphone.
- Com a ajuda da função de pesquisa, encontre a aplicação.
- Descarregue a aplicação como habitualmente e instale-a no seu smartphone. Para isso, siga as instruções do seu smartphone.

6.2. Primeira configuração do aparelho com a aplicação Smart Audio da Hama (função ALEXA)

Nota WLAN (rede sem fios)

- Certifique-se de que o router está ligado e que existe uma ligação à Internet/rede.
- Se ainda não estiver ligada, ative a ligação WLAN do seu router.
- Caso tenha dúvidas relativamente à configuração do router, utilize o manual de instruções do router para o diagnóstico de falhas/resolução de problemas.
- Certifique-se de que a soundbar se encontra no modo de emparelhamento WLAN. O LED de estado da rede (5) pisca.
- Certifique-se de que a aplicação Smart Audio da Hama está instalada no seu smartphone.
- Abra a aplicação Smart Audio da Hama e toque em [CONFIGURE].
- Em seguida, toque em [Add More Speakers].
- Abra as definições WLAN do seu smartphone tocando em [OPEN Settings].
- Nas definições WLAN do seu smartphone, procure a soundbar **Hama SIRIUM4000ABT**.
- Conecte o seu smartphone com a soundbar.
- Agora, abra a aplicação Smart Audio da Hama no seu smartphone.
- Selecione o nome WLAN pretendido (SSID).
- Depois, introduza o seu código da rede e confirme-o com [Save].
- Confirme as definições selecionadas tocando em [CONFIRM].
- A soundbar estabelece agora a ligação à rede. Depois de estabelecer a ligação, o smartphone exibe "Configured Successfully Hama Soundbar".
- O LED de estado da rede (5) acende agora permanentemente a azul.
- Toque em [Sources] na parte inferior do ecrã para estabelecer uma ligação à sua conta Amazon.

- Depois, toque no botão **[Amazon Alexa]**.
- Toque em **[Sign in with Amazon]** para abrir o browser de Internet para poder introduzir os seus dados de acesso.
- Com o teclado do seu smartphone, introduza os dados de acesso da sua conta Amazon.
- Como alternativa, pode criar uma nova conta Amazon tocando em **[Create a new Amazon account]**.
- Depois de iniciar a sessão, é novamente apresentada a aplicação Smart Audio da Hama.
- Agora, selecione a língua à qual Alexa deve reagir futuramente.
- Abra a aplicação Alexa da Amazon e volte a introduzir os seus dados de acesso.
- Em seguida, escolha as suas definições pessoais (fuso horário, nome do dispositivo, etc.) na aplicação Alexa da Amazon. Para mais informações, consulte a página www.amazon.com. -> Ajuda e assistência ao cliente

Nota Alexa Push to talk/Function Key

- Prima brevemente o botão **[Ação/Mute do microfone]** (3) na soundbar para ativar a Alexa durante a reprodução áudio ou com volume alto. Como alternativa, prima o botão de ação (3) no telecomando.
- Prima e mantenha o botão **[Ação/Mute do microfone]** (3) premido durante aprox. 3 segundos para desligar o microfone. Como alternativa, prima o botão **[MUTE]** (4) no telecomando. A soundbar não reage mais à palavra de ativação até que o microfone seja novamente ativado. Se o microfone estiver desligado, a soundbar pode continuar a ser operada através dos botões na soundbar ou no telecomando.

7. Primeira ligação Bluetooth (emparelhamento)

Os seus dispositivos podem ser conectados à soundbar através de Bluetooth para poder usá-los como aparelhos de reprodução de sinais áudio. O controlo da reprodução efetua-se diretamente através do dispositivo ou do telecomando. O volume também pode ser regulado diretamente na soundbar.

Nota – Bluetooth®

- Verifique se o seu dispositivo móvel (smartphone, tablet PC, etc.) é compatível com Bluetooth.
 - Tenha em atenção que o alcance máximo do Bluetooth® é de 10 metros, sem obstáculos como paredes, pessoas, etc.
 - A ligação pode sofrer interferências devido a outros dispositivos/ligações Blue Bluetooth® na área.
 - A soundbar só pode estar emparelhada com um dispositivo.
 - Tenha em conta que a compatibilidade depende dos perfis Bluetooth® suportados, bem como das versões Bluetooth® usadas. (ver: dados técnicos, manual de instruções do dispositivo utilizado)
- Certifique-se de que o seu dispositivo suporta Bluetooth, está ligado e que o Bluetooth está ativado.
 - Ative o modo Bluetooth premindo várias vezes o botão **[MODE]** (2) na soundbar.
 - Como alternativa, prima o botão **[Bluetooth]** (13) no telecomando.
 - O LED de estado Bluetooth (7) começa a piscar a azul.
 - Prima e mantenha o botão **[MODE]** (2) premido durante aprox. 5 segundos para ativar o modo de emparelhamento (Pairing). O LED de estado Bluetooth (7) começa a piscar rapidamente.
 - Abra o menu de definições Bluetooth no seu dispositivo e aguarde até que **Hama SIRIUM4000ABT** seja apresentado na lista de dispositivos Bluetooth encontrados.
 - Se necessário, inicie a procura por outros dispositivos Bluetooth no seu dispositivo.
 - Selecione a soundbar **Hama SIRIUM4000ABT** na lista de dispositivos disponíveis e aguarde até que a soundbar seja apresentada como estando ligada nas definições Bluetooth do seu dispositivo.
 - O LED de estado Bluetooth (7) acende agora permanentemente a azul.
 - Inicie e controle respetivamente a reprodução de áudio no dispositivo ou no telecomando.

8. Ligação através da entrada Auxiliary Input/Line In

Através das entradas de áudio analógicas (Line In/ AUX) é possível ligar inúmeros dispositivos móveis (por ex., smartphone, tablet, leitor de MP3, etc.) e também fontes analógicas mais antigas (leitor de CD/DVD, etc.) à soundbar e reproduzir o respetivo sinal de áudio através da mesma. Para isso, pode escolher entre a ligação através de um cabo áudio de 3,5 mm (cabo jack) ou através de um cabo Cinch.

Nota

- Desligue a soundbar antes de lhe ligar um dispositivo.
- Não dobre nem esmague o cabo.
- Para uma reprodução através da ligação **LINE In**, conecte o seu dispositivo com um cabo Cinch à soundbar através da tomada LINE In (1) e selecione o modo **LINE In**.
- Para uma reprodução através da ligação **AUX**, conecte o seu dispositivo com um cabo áudio de 3,5 mm (cabo jack) à soundbar através da tomada **AUX** (2) e selecione o modo **AUX**.
- Prima [POWER] (1) para ligar a soundbar.
- Premindo repetidamente o botão [MODE] (2) na soundbar, ative o modo Line In ou **AUX**.
- O LED de estado **AUX /Line In** (9) acende a vermelho se o modo LINE IN tiver sido selecionado ou a azul no caso do modo **AUX**.
- Como alternativa, prima [AUX] (12) no telecomando para a ligação através de um cabo áudio de 3,5 mm (cabo jack) ou [LINE In] (11) no caso de ligação através de um cabo Cinch.

9. Ligação através da entrada ótica/coaxial

O seu dispositivo (por ex., televisor) pode ser ligado à soundbar através das entradas áudio digitais para reproduzir os sinais áudio através da soundbar. Para isso, pode escolher entre a ligação através de um cabo de sinal ótico ou de um cabo coaxial.

Nota

- Desligue a soundbar antes de lhe ligar um dispositivo.
- Antes da ligação, retire as tampas de proteção de ambas as extremidades do cabo de sinal ótico.
- Não dobre nem esmague o cabo.

- Para uma reprodução através da ligação áudio ótica, conecte o cabo de sinal ótico (fornecido) à tomada áudio ótica (4) da soundbar e à saída áudio ótico do seu dispositivo e selecione o modo Optical.
- Para uma reprodução através da ligação áudio coaxial, conecte um cabo coaxial à tomada áudio coaxial (3) da soundbar e à saída áudio coaxial do seu dispositivo e selecione o modo Coaxial.
- Prima e mantenha [POWER] (1) premido durante aprox. 3 segundos para ligar a soundbar.
- Premindo repetidamente o botão [MODE] (2) na soundbar, ative o modo Optical ou o modo Coaxial.
- O LED de estado Optical/Coaxial (8) acende a azul se o modo Optical tiver sido selecionado ou a vermelho no caso do modo Coaxial.
- Como alternativa, prima [Optical In] (16) no telecomando para a ligação através de um cabo de sinal ótico ou [Coax In] (10) para a ligação através de um cabo coaxial.

10. Manutenção e conservação

Limpe o produto apenas com um pano sem pelos ligeiramente humedecido e não utilize produtos de limpeza agressivos.

Caso não pretenda utilizar o produto durante um período prolongado, desligue-o e retire a ficha da tomada elétrica. Armazene-o num local limpo e seco, sem exposição solar direta.

11. Exclusão de responsabilidade

A Hama GmbH & Co KG não assume qualquer responsabilidade ou garantia por danos provocados por uma instalação, montagem ou manuseamento incorreto do produto ou pelo não cumprimento das instruções de utilização e/ou das informações de segurança.

12. Contactos e apoio técnico

Em caso de dúvidas sobre o produto, contacte o serviço de assistência ao produto da Hama.

Linha direta: +49 9091 502-115 (alemão/inglês)

Para mais informações de assistência, visite:

www.hama.com

13. Indicações de eliminação

Indicação relativa à proteção do ambiente:



A partir do momento da implementação das diretivas comunitárias 2012/19/EU e 2006/66/CE na legislação nacional, aplica-se o seguinte: Os aparelhos elétricos e eletrônicos, bem como pilhas e baterias não podem ser eliminados juntamente com o lixo doméstico. O consumidor é legalmente obrigado a devolver aparelhos elétricos e eletrônicos, assim como pilhas e baterias, no fim da sua vida útil, aos pontos de recolha públicos instalados para o efeito ou ao posto de venda. As particularidades são regulamentadas pela respetiva legislação nacional. O símbolo no produto, nas instruções de utilização ou na embalagem remete para estas disposições. Com a reciclagem, a reutilização de materiais ou outras formas de reutilização de aparelhos/pilhas/baterias velhos, está a contribuir para a proteção do nosso meio ambiente.

14. Declaração de conformidade

CE O(a) abaixo assinado(a) Hama GmbH & Co KG declara que o presente tipo de equipamento de rádio [00054843] está em conformidade com a Diretiva 2014/53/UE. O texto integral da declaração de conformidade está disponível no seguinte endereço de Internet:

www.hama.com -> 00054843 -> Downloads.

Banda(s) de frequências	2.412 GHz – 2.483 GHz 2.402 GHz - 2.480 GHz
Potência máxima transmitida	19.5 dBm EIRP 8 dBm EIRP

00054843



Kumanda ve gösterge elemanları

A Soundbar kontrol paneli

1. [POWER] tuşu
2. [MODE] tuşu
3. [Eylem / Mikrofon Mute] tuşu
4. [VOLUME] +/- tuşları
5. Ağ durum LED'i
6. Streaming durum LED'i
7. Bluetooth/USB durum LED'i
8. Optik/Koaksiyel durum LED'i
9. AUX/Line In durum LED'i
10. Dolby durum LED'i

B Arka yüz

1. Line IN soketi L/R
2. AUX In soketi
3. Koaksiyel soketi
4. Optical In soketi
5. [PAIRING] ağ tuşu
6. USB Playback
7. [PAIRING] Subwoofer tuşu
8. Elektrik girişi
9. Duvar tutucusunda sabitleme için diş

C Uzaktan kumanda

1. [POWER] tuşu
2. [MUTE] tuşu
3. Eylem tuşu
4. [MUTE] mikrofon tuşu
5. [BASS] +/- tuşları
6. [VOLUME] +/- tuşları
7. CINEMA
8. MUSIC
9. VOICE
10. COAX IN modu
11. LINE In modu
12. AUX In modu
13. Bluetooth modu
14. [FAST-FORWARD] tuşu
15. [PLAY/PAUSE] tuşu
16. Optical In modu

D Subwoofer

1. [PAIRING] Subwoofer tuşu



Önemli uyarı - kullanım kılavuzu:

- İşbu kılavuz bir kısa kılavuzdur ve güvenlik uyarıları ve ürünün devreye alınması gibi önemli temel bilgileri sağlar.
- Çevre koruması ve önemli ham maddelerin korunması hedefiyle Hama firması, ürüne basılı bir kullanım kılavuzu eklememiştir ve kılavuzu sadece www.hama.com adresi üzerinden elektronik PDF dosyası / eManual olarak sunmaktadır.
- Web sitesinde ürün belgelerine ulaşmak için arama işlevini kullanın ve aranan terim olarak ürün numarasını girin.
- Alternatif olarak kullanım kılavuzu aşağıdaki QR kodu yardımıyla görüntüleyebilirsiniz.
- Kullanım kılavuzunu başvuru kaynağı olarak bilgisayarınızda kaydedin ve imkanlarınıza göre yazdırın.

1. Uyarı sembollerinin ve uyarıların açıklanması

Uyarı

Güvenlik uyarılarını işaretlemek veya özellikle tehlikeli durumlara dikkat çekmek için kullanılır.

Not

Ek bilgileri veya önemli uyarıları işaretlemek için kullanılır.

Elektrik çarpması tehlikesi

Bu sembol üründeki yalıtılmamış parçalara temas etme tehlikesine işaret etmektedir. Bu parçalar bir elektrik çarpması tehlikesi oluşturabilecek yükseklikte tehlikeli gerilimler taşıyor olabilir.

2. Paketin içindekiler

- Soundbar
- Subwoofer
- Uzaktan kumanda
- 2x AAA pil
- 1x optik sinyal kablosu
- Şebeke adaptörü
- Kısa kullanım kılavuzu

3. Güvenlik uyarıları

- Bu ürün ticari olmayan özel evsel kullanım için öngörülmüştür.
- Cihazı kire, neme ve aşırı ısınmaya karşı koruyun ve sadece kuru mekanlarda kullanın.
- Bu ürün, diğer elektrikli ürünler gibi çocuklar tarafından kullanılmamalıdır!
- Ürünü yere düşürmeyin ve aşırı sarsıntılara maruz bırakmayın.
- Ürünü teknik bilgilerde verilen kapasite sınırları dışında kullanmayın.
- Çocukları ambalaj malzemelerinden mutlaka uzak tutun; boğulma tehlikesi var.
- Ambalaj malzemelerini yerel olarak geçerli talimatlara uygun olarak atık toplamaya veriniz.
- Cihazda herhangi bir değişiklik yapmayın. Aksi takdirde tüm garanti hakları yitirilir.

Elektrik çarpması tehlikesi

- Ürünün içini açmayın ve hasarlı ürünleri çalıştırmayın.
- AC adaptörü, adaptör kablosu veya şebeke kablosu arızalı olan ürünü kullanmayın.
- Ürünü kendiniz onarmaya veya bakımını yapmaya çalışmayın. Tüm bakım çalışmalarını yetkili uzman personele yaptırın.

Uyarı - Piller

- Pilleri yerleştirirken kutuplarının (+ ve - işaretleri) doğru olmasına dikkat edin ve pilleri buna göre yerleştirin. Dikkat edilmediğinde pil akabilir veya patlayabilir.
- Çocukların, denetim altında olmadan pil değiştirmelerine izin vermeyin.
- Eski ve yeni pilleri ya da farklı tipte veya üreticilere ait olan pilleri birlikte kullanmayın.
- Uzun süre kullanılmayan ürünlerdeki pilleri çıkartın.
- Pilleri kısa devre yapmayın.
- Pilleri şarj etmeyin.
- Pilleri ateşe atmayın.
- Pilleri çocukların erişemeyeceği bir yerde saklayın.

4. Devreye almadan önce

Uzaktan kumandayı devreye alma

Pil yuvasının kapağını açın. Yuva, uzaktan kumandanın arka yüzünde yer alır ve işaretli olan yöne itilerek açılabilir. Teslimat kapsamında iki adet AAA tipi pil yer alır. Cihazı çalıştırmak için bunları yerleştirmeniz gerekir. Pilleri yerleştirirken kutupların doğru yönde takılmasına dikkat edin. Gerekli olan kutup yönleri (+ / -) pil yuvasında işaretlerle belirtilmiştir.

5. Devreye alma

Uyarı

- Ürünü sadece bu amaç için izin verilen bir prize çalıştırınız. Priz ürüne yakın olmalı ve kolayca erişilebilmelidir.
- Bu ürünü şebekeden ayırmak için aç/kapat anahtarını kullanınız - böyle bir anahtar yoksa - şebeke kablосunu prizden çıkartınız.
- Çoklu prizlerde bağlı olan tüketicilerin izin verilebilir toplam güç sarfiyatını aşmamasına dikkat edin.
- Ürünü uzun süre kullanmadığınızda şebekeden ayırın.

Çalıştırma

- Soundbar ve Subwoofer'in elektrik kablolarını düzgün şekilde kurulu prizlere bağlayın.
- Soundbar'ı açmak için [POWER] (1) üzerine basın. Alternatif olarak uzaktan kumanda üzerindeki [POWER] tuşuna (1) basın.

Not – İlk kez çalıştırma

- Teslimat durumunda Soundbar ve Subwoofer birbirine bağlıdır.
- İlk devreye alırken ağ durum LED'i (5) titrediği anda Soundbar "Cihazın ilk kurulumu" modunda bulunur.

6. Soundbar'ın kurulması

Not

- Ürünü tüm işlev kapsamıyla kullanabilmek için, ek olarak Amazon Alexa uygulaması indirilmeli ve ayrıca bir Amazon hesabı oluşturulmalıdır. Bu amaçla Amazon Alexa uygulamasındaki talimatları izleyin. Bu konuda ayrıntılı bilgileri www.amazon.com sitesinde bulabilirsiniz.
- Uç cihazınızda Soundbar ile bağlantı için gerekli bağlantıların bulunduğundan emin olun. Lütfen bu konuda cihazınızın kullanma kılavuzuna başvurun.

6.1. Hama Smart Audio uygulamasının indirilmesi

Not

Aşağıdaki işletim sistemleri desteklenmektedir:

- iOS 8 veya daha yükseği
- Android 4.4.2 veya daha yükseği
- iTunes AppStore veya Google Play mağazasını akıllı telefonunuzda açın.
- Arama işlevini kullanarak uygulamayı bulabilirsiniz.
- Uygulamayı diğer zamanlarda gibi indirin ve akıllı telefonunuza kurun. Bunun için akıllı telefonunuzun talimatlarını izleyin.

6.2. Hama Smart Audio uygulamasıyla (ALEXA işlevi) cihazın ilk kurulumu

Not WLAN (kablосuz ağ)

- Yönlendiricinin açık ve internet / ağ bağlantısının kurulu olduğundan emin olun.
- Henüz etkin değilse, yönlendiricinizin WLAN bağlantısını etkinleştirin.
- Yönlendiricinin yapılması ile ilgili sorunlar olursa, lütfen hata arama / sorun giderme için yönlendiricinin kullanma kılavuzundan yararlanın.
- Soundbar'ın WLAN eşleştirme modunda bulunduğundan emin olun. Ağ durum LED'i (5) titreşir.
- Hama Smart Audio uygulamasının akıllı telefonunuzda kurulu olduğundan emin olun.
- Hama Smart Audio uygulamasını açın ve [CONFIGURE] üzerine dokunun.
- Ardından [Add More Speakers] üzerine dokunun.
- [OPEN Settings] ögesine dokunarak akıllı telefonunuzun WLAN ayarlarını açın.
- Akıllı telefonunuzun WLAN ayarlarında **Hama SIRIUM4000ABT** için arama yapın.
- Akıllı telefonunuzu Soundbar ile bağlayın.
- Şimdi Hama Smart Audio uygulamasını akıllı telefonunuzda açın.
- İstedığınız WLAN adını (SSID) seçin.
- Şimdi ağ anahtarınızı girin ve [Save] ile onaylayın.
- Seçilen ayarları [CONFIRM] ögesine dokunarak onaylayın.
- Soundbar şimdi kendini ağa bağlar. Başarılı bağlantıdan sonra akıllı telefonda "Configured Successfully Hama Soundbar" (yapılandırıldı) görüntülenir.
- Ağ durum LED'i (5) şimdi sürekli mavi renkte yanar.
- Amazon hesabınıza bir bağlantı kurmak için, ekranın alt kenarında [Sources] üzerine dokunun.
- Bundan sonra [Amazon Alexa] düğmesine dokunun.
- Erişim verilerinizin girişi için web tarayıcısını açmak için [Sign in with Amazon] ögesine dokunun.
- Akıllı telefonunuzun klavyesi ile Amazon hesabınızın erişim verilerini girin.

- Alternatif olarak [**Create a new Amazon account**] üzerine dokunarak yeni bir Amazon hesabı oluşturabilirsiniz.
- Oturum açtıktan sonra Hama Smart Audio uygulamasına geri dönülür.
- Şimdi Alexa tarafından ilerde kullanılacak dili seçin.
- Amazon Alexa uygulamasını açın ve erişim verilerinizi yeniden girin.
- Bundan sonra Amazon Alexa uygulamasında kişisel ayarlarınızı (zaman dilimi, cihaz adı, vs.) uygulayın. Bu konuda ayrıntılı bilgileri www.amazon.com -> Yardım ve Müşteri Servisi sayfasında bulabilirsiniz.

i Not Alexa Push to talk/ Function Key anahtarları

- Sesli mod veya yüksek ses seviyesi esnasında Alexa'ya etkinleştirmek için Soundbar üzerinde kısaca [**Eylem / Mikrofon Mute**] tuşuna (3) basın. Alternatif olarak uzaktan kumandadaki eylem tuşuna (3) basın.
- Mikrofonu kapatmak için [**Eylem / Mikrofon Mute**] tuşuna (3) yakl. 3 saniye basıp tutun. Alternatif olarak uzaktan kumandadaki [MUTE] tuşuna (4) basın. Soundbar şimdi mikrofon tekrar etkinleştirilene kadar etkinleştirme sözcüğüne artık yanıt vermez. Mikrofon kapalı ise, Soundbar ya da uzaktan kumanda üzerindeki tuşlardan Soundbar yine kullanılabilir.

7. Bluetooth ile ilk kez bağlantı (eşleştirme)

Bluetooth yoluyla cihazlarınızı Soundbar'a bağlayabilir ve ses sinyalleri için oynatma aygıtı olarak kullanabilirsiniz. Yayın burada doğrudan uç cihazı veya uzaktan kumanda üzerinden kontrol edilir. Ses seviyesi de Soundbar'da doğrudan ayarlanabilir.

i Not – Bluetooth®

- Mobil uç cihazınızın (akıllı telefon, tablet bilgisayar, vs.) Bluetooth uyumlu olup olmadığını kontrol edin.
- Bluetooth® menzilin maks. 10 metre olduğunu, duvarlar, insanlar vs. gibi engellerin buna dahil olmadığını dikkate alın.
- Bağlantının çevredeki başka Bluetooth® cihazları/ bağlantıları tarafından engellenmesi mümkün olabilir.
- Soundbar her zaman sadece bir uç cihaza bağlanabilir.
- Uyumluluğun, desteklenen Bluetooth® profillerine ve kullanılan Bluetooth® versiyonlarına bağlı olduğunu dikkate alın. (bkz.: Teknik Özellikler, kullanılan uç cihazın kullanım kılavuzu)
- Bluetooth uyumlu cihazınızın açık ve Bluetooth işlevinin etkinleştirilmiş olduğundan emin olun.
- Soundbar'da tekrarlı şekilde [**MODE**] tuşuna (2) basarak Bluetooth modunu etkinleştirin.
- Alternatif olarak uzaktan kumandada [**Bluetooth**] (13) üzerine basın.
- Bluetooth durum LED'i (7) mavi renkte titremeye başlar.
- Eşleştirme modunu etkinleştirmek için [**MODE**] (2) üzerine yakl. 5 saniye basıp tutun. Bluetooth durum LED'i (7) hızlı şekilde yanıp sönmeye başlar.
- Cihazınızda Bluetooth ayarlarını açın ve algılanan Bluetooth cihazları listesinde **Hama SIRIUM4000ABT** görüntülenene kadar bekleyin.
- Gerekirse uç cihazınızda Bluetooth cihazı aramasını başlatın.
- Kullanılabilen cihazlar listesinde Soundbar **Hama SIRIUM4000ABT** seçeneğini belirleyin ve cihazınızın Bluetooth ayarlarında Soundbar bağlı olarak görüntülenene kadar bekleyin.
- Bluetooth durum LED'i (7) şimdi sürekli mavi renkte yanar.
- Ses yayını uç cihazınızda veya uzaktan kumandada başlatın ve kontrol edin.

8. Auxiliary Input/Line In üzerinden bağlantı

Analog ses girişleri (Line In/ AUX) üzerinden mobil uç cihazları (örneğin akıllı telefon, tablet PC, MP3 çalar, vs.) ve daha eski analog kaynakları (CD/DVD çalar vs.) Soundbar'a bağlayabilir ve ses sinyallerini Soundbar üzerinden yayınlatabilirsiniz. Bunun için bir 3,5 mm ses kablosu (jak kablosu) veya bir Cinch kablosu üzerinden bağlantı arasında seçim yapabilirsiniz.

Not

- Bir uç cihazı bağlamadan önce Soundbar'ı kapatın.
- Kablo bükülmemeli ve herhangi bir yere sıkıştırılmamalıdır.
- **LINE In** bağlantısı üzerinden bir yayın için uç cihazınızı **LINE In** soketinden (1) bir Cinch kablosu ile Soundbar'a bağlayın ve **LINE In** modunu seçin.
- **AUX** bağlantısı üzerinden bir yayın için uç cihazınızı **AUX** soketinden (2) bir 3,5mm ses kablosu (jak kablosu) ile Soundbar'a bağlayın ve **AUX** modunu seçin.
- Soundbar'ı açmak için [POWER] (1) üzerine basın.
- Soundbar'da tekrarlı şekilde [**MODE**] tuşuna (2) basarak Line In veya **AUX** modunu etkinleştirin.
- **AUX /Line In** durum LED'i (9), **LINE IN** modu seçildiğinde kırmızı renkte veya **AUX** modu seçildiğinde mavi renkte yanar.
- Alternatif olarak uzaktan kumandada bir 3,5 mm ses kablosu (jak kablosu) üzerinden bir bağlantıda [AUX] (12) öğesine veya bir Cinch kablosu üzerinden bir bağlantıda [LINE In] (11) öğesine basın.

9. Optik/Koaksiyel üzerinden bağlantı

Soundbar'ın dijital ses girişleri üzerinden uç cihazınızı (örn. TV cihazı) bağlayabilir ve ses sinyalini Soundbar'dan oynatabilirsiniz. Bunun için bir optik sinyal kablosu veya bir koaksiyel kablo üzerinden bağlantı arasında seçim yapabilirsiniz.

Not

- Bir uç cihazı bağlamadan önce Soundbar'ı kapatın.
- Bağlamadan önce optik kablounun her iki ucundan koruyucu kapakları çıkarın.
- Kablo bükülmemeli ve herhangi bir yere sıkıştırılmamalıdır.

- Optik ses bağlantısı üzerinden bir yayın için optik sinyal kablosunu (teslimat kapsamı) Soundbar'ın optik ses girişine (4) ve uç cihazınızın optik ses çıkışına bağlayın ve Optical modunu seçin.
- Koaksiyel ses bağlantısı üzerinden bir yayın için bir koaksiyel kabloyu Soundbar'ın koaksiyel ses girişine (3) ve uç cihazınızın koaksiyel ses çıkışına bağlayın ve Coaxial modunu seçin.
- Soundbar'ı açmak için [POWER] (1) üzerine yakl. 3 saniye basıp tutun.
- Soundbar'da tekrarlı şekilde [MODE] tuşuna (2) basarak Optical modunu veya Coaxial modunu etkinleştirin.
- Optical/Coaxial durum LED'i (8), Optical modu seçildiğinde mavi renkte veya Coaxial modu seçildiğinde kırmızı renkte yanar.
- Alternatif olarak uzaktan kumandada bir optik sinyal kablosu üzerinden bir bağlantıda [Optical In] (16) öğesine veya bir koaksiyel kablo üzerinden bir bağlantıda [Coax In] (10) öğesine basın.

10. Bakım ve temizlik

Bu ürünü sadece lif bırakmayan, hafif nemli bir bezle silin ve agresif temizleyiciler kullanmayın. Ürünü uzunca bir süre kullanmayacasanız cihazı kapatıp elektrik fişini çekin. Ürünü, doğrudan güneş almayan temiz, kuru bir yerde saklayın.

11. Sorumsuzluk beyanı

Hama GmbH & Co. KG şirketi yanlış kurulum, montaj ve ürünün amacına uygun olarak kullanılmaması durumunda veya kullanım kılavuzu ve/veya güvenlik uyarılarına uyulmaması sonucu oluşan hasarlar için sorumluluk kabul etmez ve bu durumda garanti hakkı kaybolur.

12. Servis ve destek

Ürünle ilgili herhangi bir sorunuz varsa, lütfen HAMA ürün danışmanlığına başvurunuz.

Destek hattı: +49 9091 502-115 (Alm/İng)

Diğer destek bilgileri için, bkz.:

www.hama.com

13. Atık toplama bilgileri

Çevre koruma uyarısı:



2012/19/EU ve 2006/66/AB Avrupa direktiflerinin ulusal mevzuata geçirildiği tarihten itibaren aşağıdaki kurallar geçerlidir: Elektrikli cihazlar, elektronik cihazlar ve piller normal evsel çöpe atılamaz. Tüketiciler, kullanım ömürlerinin sonuna gelmiş elektrikli ve elektronik cihazları ve pilleri, kamuya ait toplama yerlerine veya satın alındıkları yerlere iade etmekle yükümlüdürler. Bu konu ile ilgili ayrıntılar ulusal yasalarla düzenlenmektedir. Ürün üzerinde, kullanım kılavuzunda veya ambalajda bulunan bu sembol tüketiciyi bu konuda uyarır. Eski cihazların/pillerin geri kazanımı, yapıldıkları malzemelerin değerlendirilmesi veya diğer değerlendirme şekilleri ile, çevre korumasına önemli bir katkıda bulunursunuz.

14. Uygunluk beyanı

CE İş bu belge ile Hama GmbH & Co KG kablosuz sistem tipin [00054843] 2014/53/AB sayılı direktife uygun olduğunu beyan eder. AB

Uygunluk Beyanının tam metni aşağıdaki internet adresinde incelenebilir:

www.hama.com -> 00054843 -> Downloads.

Frekans bandı/frekans bantları	2.412 GHz – 2.483 GHz 2.402 GHz - 2.480 GHz
İletilen maksimum radyo frekans gücü	19.5 dBm EIRP 8 dBm EIRP



00054843

Elemente de comandă și afișaje**A Câmp de comandă Soundbar**

1. Tasta [POWER]
2. Tasta [MODE]
3. Tasta [Acționare / Dezactivare microfon]
4. Taste [VOLUME] +/-
5. LED statut rețea
6. LED statut Streaming
7. LED statut Bluetooth
8. LED statut Optic/Coaxial
9. LED statut AUX/Line In
10. LED statut Dolby

B Spate


1. Racord L/R Line In
2. Racord AUX In
3. Racord coaxial
4. Racord Optical In
5. Tasta [PAIRING] rețea
6. USB Playback
7. Tasta [PAIRING] Subwoofer
8. Branșament rețea
9. Filet pentru fixarea în suportul de perete

C Telecomandă

1. Tasta [POWER]
2. Tasta [MUTE]
3. Tasta acționare
4. Tasta [MUTE] microfon
5. Taste [BASS] +/-
6. Taste [VOLUME] +/-
7. CINEMA
8. MUSIC
9. VOICE
10. Regim COAX IN
11. Regim LINE In
12. Regim AUX In
13. Regim Bluetooth
14. Tasta [FORWARD]
15. Tasta [PLAY/PAUSE]
16. Regim Optical In

D Subwoofer

1. Tasta [Pairing] Subwoofer

 Indicație importantă - Instrucțiuni de folosire:

- Acestea sunt instrucțiuni scurte care vă asigură informații de bază importante legate de siguranța și punerea în funcțiune a produsului.
- Din motive de protecție a mediului și de economisire de materii prime de valoare firma Hama renunță la tipărirea acestor instrucțiuni și le oferă numai ca document PDF pentru descărcare / manual electronic la adresa www.hama.com.
- Pentru găsirea mai ușoară a documentației folosiți funcția de căutare și ca termen de căutare numărul de articol.
- Alternativ le puteți găsi cu următorul cod QR.
- Pentru o consultare ulterioară memorați instrucțiunile pe calculator sau tipăriți-le dacă aveți posibilități.

1. Explicarea simbolurilor de avertizare și indicații

Avertizare

Se folosește la marcarea instrucțiunilor de siguranță sau la concentrarea atenției în caz de pericol și riscuri mari.

Indicație

Se folosește pentru marcarea suplimentară a informațiilor și instrucțiunilor importante.

Pericol de electrocutare

Acest simbol semnalizează pericol la atingerea componentelor neizolate ale produsului care pot avea o tensiune atât de înaltă încât pot duce la electrocutare.

2. Conținutul pachetului

- Soundbar
- Subwoofer
- Telecomandă
- 2 baterii AAA
- 1x cablu optic semnale
- Alimentator
- Instrucțiuni scurte

3. Instrucțiuni de siguranță

- Produsul este conceput numai pentru utilizare privată și nu profesională.
- Protejați aparatul de impurități, umiditate și supraîncălzire și utilizați-l numai în încăperi uscate.
- Acest produs, ca de altfel toată produsele electrice, nu are ce căuta în mâinile copiilor!
- Nu lăsați produsul să cadă și nu îl supuneți trepidațiilor puternice.
- Nu exploatați produsul în afara limitelor de putere indicate în datele tehnice.
- Nu lăsați copiii să se joace cu materialul pachetului, prezintă pericol de sufocare.
- Reciclarea materialului pachetului se execută conform normelor locale de salubritate în vigoare.
- Nu executați modificări la aparat. În acest fel pierdeți orice drept la garanție.

Pericol de electrocutare

- Nu deschideți aparatul și nu-l utilizați în continuare în caz de deteriorare.
- Nu utilizați produsul dacă adaptorul AC, cablul adaptor sau conductorul rețelei sunt deteriorate.
- Nu încercați să reparați sau să depanați aparatul. Operațiile de reparații se execută numai de personal de specialitate.

Avertizare - baterii

- Atenție în mod deosebit la polaritatea corectă a bateriilor (marcările + și -) și introduceți-le conform cu acestea. În cazul nerespectării vă expuneți pericolului scurgerilor sau exploziei bateriilor.
- Nu permiteți copiilor nesupravegheați să schimbe bateriile.
- Nu amestecați baterii vechi cu noi precum și baterii de diferite tipuri sau producători diferiți.
- Îndepărtați bateriile din produsele care nu sunt întrebuințate o perioadă mai îndelungată.
- Nu scurtcircuitați bateriile.
- Bateriile nu se încarcă.
- Nu aruncați bateriile în foc.
- Păstrați bateriile astfel încât să nu fie la îndemâna copiilor.

4. Înaintea punerii în funcțiune

Punerea în funcțiune a telecomenzii

Deschideți capacul compartimentului bateriilor. Acesta se găsește pe spatele telecomenzii și se deschide prin împingerea capacului în direcția marcată. Pentru punerea în funcțiune introduceți în compartiment cele două baterii AAA livrate. Vă rugăm să vă asigurați că ați introdus bateriile cu polaritatea corectă. Polaritatea corectă prestabilită (+/-) este marcată în compartiment.

5. Punere în funcțiune

Avertizare

- Exploatați aparatul numai la o priză de rețea aprobată în acest sens. Priza trebuie plasată în apropierea produsului și să fie ușor accesibilă.
- Cu ajutorul comutatorului pornit/oprit se întrerupe produsul de la rețea - dacă acesta nu există scoateți cablul de racordare din priză.
- Consumatorii conectați la prize multiple nu trebuie să depășească consumul puterii totale admisibile.
- Deconectați produsul de la rețea dacă nu este folosit timp mai îndelungat.

Pornire

- Conectați cablurile de rețea ale Soundbar și Subwoofer cu prize instalate regulamentar.
- Porniți Soundbar prin apăsare pe [POWER] (1). Alternativ apăsați tasta [POWER] (1) la telecomandă.

Indicație - Prima pornire

- La livrare Soundbar și Subwoofer sunt deja conectate.
- La prima pornire Soundbar se află în regimul „Configurare inițială aparat” de îndată ce LED-ul de statut al rețelei (5) semnalizează intermitent.

6. Instalare Soundbar

Indicație

- Pentru a putea utiliza întreaga paletă de funcțiuni a produsului trebuie descărcată suplimentar aplicația Amazon Alexa și creat un cont Amazon. Pentru aceasta urmați instrucțiunile aplicației Amazon Alexa. Informații suplimentare găsiți la www.amazon.com.
- Aparatul final trebuie să dispună de racordurile necesare pentru conectarea la Soundbar. Vă rugăm să luați în considerație și manualul de utilizare al aparatului final folosit.

6.1. Descărcarea aplicației Hama Smart Audio

Indicație

Sunt susținute următoarele sisteme de operare:

- iOS 8 sau superior
- Android 4.4.2 sau superior
- Deschideți iTunes AppStore sau Google Play Store la Smartphone.
- Aplicația se găsește cu ajutorul funcției de căutare.
- Descărcați aplicația și instalați-o pe Smartphone. U urmați instrucțiunile Smartphone.

6.2. Configurare inițială a aparatului cu aplicația Hama Smart Audio (funcție ALEXA)

Indicație Indicație - WLAN (rețea fără cablu)

- Asigurați-vă că routerul este pornit și este conectat la internet / rețea.
- Activați conexiunea WLAN a routerului.
- Dacă aveți întrebări cu privire la configurația routerului căutați în manualul de utilizare la căutare erori / soluții probleme.
- Soundbar trebuie să fie în regimul WLAN-Pairing. LED-ul de statut al rețelei (5) semnalizează intermitent.
- Aplicația Hama Smart Audio trebuie să fie instalată pe Smartphone.
- Deschideți aplicație Hama Smart Audio și atingeți **[CONFIGURE]**.
- În continuare atingeți **[Add More Speakers]**.
- Prin atingerea **[OPEN Settings]** se deschid setările WLAN ale Smartphone.
- În setările WLAN ale Smartphone căutați Soundbar **Hama SIRIUM4000ABT**.
- Conectați Smartphone cu Soundbar.
- Deschideți pe Smartphone aplicația Hama Smart Audio.
- Selectați numele WLAN (SSID) dorit.
- Introduceți codul rețelei și confirmați cu **[Save]**.
- Confirmați setările selectate prin atingerea **[CONFIRM]**.
- Soundbar se conectează la rețea. După conectarea cu succes pe Smartphone se afișează „Configured Successfully Hama Soundbar”.
- LED-ul de statut al rețelei (5) luminează continuu albastru.
- Pentru stabilirea unei legături cu contul Amazon atingeți **[Sources]** la marginea de jos a ecranului.
- În continuare atingeți suprafața de comandă **[Amazon Alexa]**.
- Pentru deschiderea browser-ului pentru Web și introducerea datelor de acces atingeți **[Sign in with Amazon]**.
- Introduceți cu tastatura de la Smartphone datele de acces ale contului Amazon.

- Alternativ se poate crea un nou cont Amazon prin atingerea [**Create a new Amazon account**].
- După înregistrarea cu succes ajungeți înapoi la aplicația Hama Smart Audio.
- Selectați limba la care Alexa să reacționeze.
- Deschideți aplicația Amazon Alexa și introduceți din nou datele de acces.
- Reluați în continuare setările personale (fus orar, nume aparate, etc.) în aplicația Amazon Alexa. Informații suplimentare găsiți la www.amazon.com -> Ajutor și Service clienți.

Indicație Alexa Push to talk / Function Key

- Pentru activare Alexa în regim audio respectiv activare mărirea volum sonor, apăsați scurt tastat [**Aktion / Mikrophon Mute**] (3) la Soundbar. Alternativ apăsați tasta de acționare (3) de la telecomandă.
- Pentru deconectarea microfonului apăsați cca 3 secunde tasta [**Aktion / Mikrophon Mute**] (3). Alternativ apăsați tasta [MUTE] (4) la telecomandă. Soundbar nu mai reacționează acum la cuvântul de activare până când microfonul nu este din nou activat. Dacă microfonul este deconectat Soundbar poate fi deservit în continuare prin tastele sale respectiv prin telecomandă.

7. Prima conectare Bluetooth (Pairing)

Via Bluetooth puteți să conectați aparate finale cu Soundbar și acesta folosit ca aparat de redare pentru semnale audio. Comanda redării se face direct prin aparatul final sau telecomandă. Volumul sonor poate fi reglat direct la Soundbar.

Indicație – Bluetooth®

- Verificați dacă aparatul final mobil (Smartphone, tabletă PC, etc.) este compatibil Bluetooth.
- Aveți în vedere faptul că raza de acțiune Bluetooth® este de max. 10 m, fără obstacole precum pereți, persoane etc.
- Se poate întâmpla ca conexiunea să fie deranjată prin alte conexiuni Bluetooth® de la alte aparate.
- Soundbar poate fi cuplat întotdeauna numai cu un aparat final.
- Compatibilitatea este dependentă de profilele Bluetooth® susținute precum și de versiunile Bluetooth® folosite. (vezi: Date tehnice, Instrucțiuni de folosire ale aparatului utilizat).
- Aparatul final compatibil Bluetooth trebuie să fie pornit și funcția Bluetooth activată.
- Pentru activarea regimului Bluetooth la Soundbar apăsați repetat tasta [**MODE**] (2).
- Alternativ apăsați [**Bluetooth**] (13) la telecomandă.
- LED-ul de statut Bluetooth (7) începe să semnalizeze intermitent albastru.
- Pentru activarea regimului Pairing apăsați cca 5 secunde [**MODE**] (2). LED-ul de statut Bluetooth (7) începe să semnalizeze intermitent rapid.
- Deschideți setările Bluetooth din aparatul final și așteptați până când în lista aparatelor Bluetooth găsite se afișează **Hama SIRIUM4000ABT**.
- Dacă este cazul porniți căutarea de aparate Bluetooth la paratul final.
- Selectați din listă aparatelor disponibile Soundbar **Hama SIRIUM4000ABT** și așteptați până când Soundbar este afișat în setările Bluetooth ale aparatului final ca fiind conectat.
- LED-ul de statut Bluetooth (7) luminează continuu albastru.
- Porniți și comandați corespunzător redarea audio prin aparatul final respectiv telecomandă.

8. Conectare prin Auxiliary Input/Line In

Prin intrările audio analogice (Line In/ AUX) puteți conecta aparate finale mobile (de ex. Smartphone, tabletă PC, MP3 Player, etc.) și surse analogice mai vechi (CD/DVD-Player etc.) la Soundbar și reda semnalele lor audio. Pentru aceasta aveți de ales între conectarea prin cablu audio de 3,5 mm (cablu Jack) sau cablu RCA.

Indicație

- Înaintea conectării cu un aparat final închideți Soundbar.
- Nu îndoiiți și nu striviți cablul.
- Pentru redarea prin racordul **LINE In** (1) conectați aparatul final printr-un cablu RCA cu Soundbar și alegeți regimul **LINE In**.
- Pentru redarea prin racordul **AUX In** (2) conectați aparatul final printr-un cablu audio de 3,5 mm (cablu Jack) cu Soundbar și alegeți regimul **AUX**.
- Porniți Soundbar prin apăsare pe [POWER] (1).
- Pentru activarea regimului **Line In** respectiv **AUX** apăsați repetat tasta [MODE] (2) la Soundbar.
- LED-ul de statut **AUX / Line In** (9) luminează roșu dacă a fost ales regimul **LINE IN** respectiv albastru dacă a fost ales regimul **AUX**.
- Alternativ apăsați [AUX] (12) la telecomandă la conectare prin cablu audio de 3,5mm (cablu Jack) respectiv [**LINE In**] (11) la conectare prin cablu RCA.

9. Conectare prin optic/coaxial

Prin intrările digitale de la Soundbar puteți conecta aparatul final (de ex. aparat TV) și reda semnalul lor audio. Pentru aceasta aveți de ales între conectarea prin cablu optic sau coaxial.

Indicație

- Înaintea conectării cu un aparat final închideți Soundbar.
- Înaintea conectării îndepărtați calotele de protecție de la capetele cablului optic de semnale.
- Nu îndoiiți și nu striviți cablul.

- Pentru redarea prin racordul audio optic conectați cablul optic (livrat) cu intrarea audio optică (4) la Soundbar și ieșirea audio optică a aparatului final și alegeți regimul **Optic**.
- Pentru redarea prin racordul audio coaxial conectați un cablu coaxial cu intrarea audio coaxială (3) la Soundbar și ieșirea audio coaxială a aparatului final și alegeți regimul **Coaxial**.
- Pentru pornirea Soundbar apăsați cca 3 secunde [POWER] (1).
- Pentru activarea regimului **Optic** respectiv **Coaxial** la Soundbar apăsați repetat tasta [MODE] (2).
- LED-ul de statut **Optic/Coaxial** luminează albastru dacă a fost ales regimul **Optic** respectiv roșu dacă a fost ales regimul **Coaxial**.
- Alternativ apăsați [Optical In] (16) la telecomandă la o conexiune prin cablu optic respectiv [Coax In] (10) la o conexiune prin cablu coaxial.

10. Revizie și întreținere

Limpe o produto apenas com um pano sem pelos ligeiramente humedecido e não utilize produtos de limpeza agressivos.

Caso não pretenda utilizar o produto durante um período prolongado, desligue-o e retire a ficha da tomada elétrica. Armazene-o num local limpo e seco, sem exposição solar direta.

11. Excluderea responsabilității

Hama GmbH & Co. KG nu își asumă nici o răspundere sau garanție pentru pagube cauzate de montarea, instalarea sau folosirea necorespunzătoare a produsului sau nerespectarea instrucțiunilor de folosire și/sau a instrucțiunilor de siguranță.

12. Service și suport

Dacă aveți întrebări adresați-vă la Hama consultanță pentru produse.

Hotline: +49 9091 502-115 (Ger/Ang)

Alte informații de suport găsiți aici:

www.hama.com

13. Informații pentru salubritate

Instrucțiuni pentru protecția mediului înconjurător:



Din momentul aplicării directivelor europene 2012/19/EU și 2006/66/CE în dreptul național sunt valabile următoarele: Aparatele electrice și electronice precum și bateriile nu pot fi salubritate cu gunoiul menajer. Consumatorul este obligat prin lege să înapoieze aparatele electrice și electronice precum și bateriile la sfârșitul duratei lor de folosință la locurile de colectare locale amenajate special pentru acestea sau de unde au fost cumpărate. Detaliile sunt reglementate de către legislația fiecărei țări. Simbolul de pe produs, în instrucțiunile de utilizare sau pe ambalaj indică această reglementare. Prin reciclarea, valorificarea materială sau alte forme ale valorificării aparatelor vechi/bateriilor uzate contribuți în mare măsură la protecția mediului nostru înconjurător.

14. Declarație de conformitate

CE Prin prezenta, Hama GmbH & Co KG, declară că tipul de echipamente radio [00054843] este în conformitate cu Directiva 2014/53/UE. Textul integral al declarației UE de conformitate este disponibil la următoarea adresă internet:

www.hama.com -> 00054843 -> Downloads.

Banda (benzile) de frecvențe	2.412 GHz – 2.483 GHz 2.402 GHz - 2.480 GHz
Puterea maximă	19.5 dBm EIRP 8 dBm EIRP



00054843

Manöverelement och indikeringar

A Kontrollpanel för Soundbar

1. [POWER]-knapp
2. [MODE]-knapp
3. [Åtgärds/tyst mikrofon]-knapp
4. [VOLUME] +/- -knappar
5. Statuslysdiod för nätverk
6. Statuslysdiod för strömning
7. Statuslysdiod för Bluetooth/USB
8. Statuslysdiod för optisk/koaxial
9. Statuslysdiod för AUX/Line In
10. Statuslysdiod Dolby

B Baksida

1. Line IN-port V/H
2. AUX IN-uttag
3. Koaxialuttag
4. Optiskt IN-uttag
5. [PAIRING]-knapp för nätverk
6. USB-uppspelning
7. [PAIRING]-knapp för subwoofer
8. Nätkabel
9. Gänga för montering på väggfäste

C Fjärrkontroll

1. [POWER]-knapp
2. [MUTE]-knapp
3. Åtgärdsknapp
4. [MUTE]-knapp för mikrofon
5. [BASS] +/- -knappar
6. [VOLUME] +/- -knappar
7. CINEMA
8. MUSIC
9. VOICE
10. COAX IN-läge
11. LINE In-läge
12. AUX In-läge
13. Bluetooth-läge
14. [FORWARD]-knapp
15. [PLAY/PAUSE]-knapp
16. Optiskt IN-läge

D Subwoofer

1. [Pairing]-knapp för subwoofer



Viktig information - bruksanvisning:

- Detta är en snabbguide som innehåller viktig grundläggande information, såsom säkerhetsanvisningar och idrifttagning av produkten.
- Av miljöhänsyn och för att spara på värdefullt råmaterial har Hama valt att inte publicera bruksanvisningen i tryckt form, utan erbjuder den enbart i form av en pdf-fil/eManual som finns att ladda ner på www.hama.com.
- Använd sökfunktionen och ange artikelnumret som sökbegrepp för att enkelt komma till rätt produktokumentation.
- Det går även att hämta bruksanvisningen med hjälp av nedan QR-kod.
- Förvara denna bruksanvisning för framtida bruk och skriv vid behov ut den.

1. Förklaring av varningssymboler och anvisningar

Varning

Används för att markera säkerhetshänvisningar eller för att rikta uppmärksamhet mot speciella faror och risker.

Information

Används för att markera information eller viktiga anvisningar.

Fara för elektrisk stöt

Denna symbol hänvisar till fara vid beröring av oisolerade produktdelar som kan ha en så pass hög spänning att det finns risk för elektrisk stöt.

2. Förpackningens innehåll

- Soundbar
- Subwoofer
- Fjärrkontroll
- 2x AAA batterier
- 1x optisk signalkabel
- Adapter
- Snabbguide

3. Säkerhetsanvisningar

- Produkten är avsedd för privat hemanvändning, inte yrkesmässig.
- Skydda produkten mot smuts, fukt och överhettning och använd den bara inomhus.
- Denna produkt ska, som alla elektriska produkter, förvaras utom räckhåll för barn!
- Tappa inte produkten och utsätt den inte för kraftiga vibrationer.
- Använd inte produkten utanför de kapacitetsgränser som är angivna för den i tekniska data.
- Det är viktigt att barn hålls borta från förpackningsmaterialet. Det finns risk för kvävning.
- Kassera förpackningsmaterialet direkt enligt de lokalt gällande reglerna för kassering.
- Förändra ingenting på produkten. Då förlorar du alla garantianspråk.

Fara för elektrisk stöt

- Öppna inte produkten och använd den inte mer om den är skadad.
- Använd inte produkten om AC-adaptern, adapterkabeln eller elsladden är skadade.
- Försök inte utföra service på produkten själv eller reparera den. Överlåt allt servicearbete till kompetent fackpersonal.

Varning - batterier

- Var mycket noga med batteripolerna (+ och - märkning) och lägg in batterierna enligt dessa. Beaktas inte detta finns det risk att batterierna läcker eller exploderar.
- Låt inte barn byta batterier utan uppsikt.
- Blanda inte gamla och nya batterier, inte heller olika sorters batterier eller batterier från olika tillverkare.
- Ta ut batterier ur produkter som inte ska användas under längre tid.
- Kortslut inte batterierna.
- Ladda inte batterier.
- Kasta inte batterier i öppen eld.
- Förvara batterier utom räckhåll för barn.

4. Innan första användning

Börja använda fjärrkontrollen

Öppna locket till batterifacket. Locket finns på fjärrkontrollens baksida och öppnas genom att det skjuts i den angivna riktningen.

Två AAA-batterier medföljer som måste sättas in i batterifacket om fjärrkontrollen ska användas. Se till att batterierna läggs in med polerna åt rätt håll. Hur polerna ska sättas in (+ / -) anges i batterifacket.

5. Idrifttagning

Varning

- Anslut bara apparaten till ett godkänt uttag. Eluttaget måste sitta i närheten av produkten och vara lätt att nå.
- Koppla bort produkten från elnätet med hjälp av strömbrytaren – om den saknas drar du ut nätkabeln ur uttaget.
- Om grenuttag används, var noga med att de anslutna förbrukarna inte överskrider tillåten total effektförbrukning.
- Koppla bort produkten från elnätet om den inte ska användas under en längre tid.

Påslagning

- Anslut Soundbar-enhetens och subwoofers nätkabel till korrekt installerade uttag.
- Tryck på [POWER] (1) för att starta Soundbar. Som alternativ kan man trycka på [POWER]-knappen (1) på fjärrkontrollen.

Information - vid första påslagning

- Vid leveransen är Soundbar och subwoofern redan anslutna.
- Första gången man startar Soundbar-enheten befinner den sig i läget "Driftstart av enheten" så fort statuslysdioden för nätverket (5) pulserar.

6. Installera Soundbar

Information

- För att kunna utnyttja alla produktfunktioner måste man även hämta Amazon Alexa-appen samt skapa ett Amazon-konto. Följ anvisningarna i Amazon Alexa-appen. Mer information finns på www.amazon.com.
- Kontrollera att terminalutrustningen har alla nödvändiga anslutningar för att upprätta en anslutning till Soundbar-enheten. Se bruksanvisningen för terminalutrustningen.

6.1. Hämta Hama Smart Audio-appen

Information

Följande operativsystem stöds:

- iOS 8 eller högre
- Android 4.4.2 eller högre
- Öppna iTunes AppStore eller Google Play Store på din smartphone.
- Du hittar appen med hjälp av sökfunktionen.
- Hämta appen som vanligt och installera den på din smartphone. Följ smartphone-anvisningarna.

6.2. Förstagångsinstallationen med Hama Smart Audio-appen (ALEXA-funktion)

Information WLAN (trådlöst nätverk)

- Kontrollera att routern är på och är ansluten till internet/nätverket.
- Aktivera i förekommande fall routerns WLAN-anslutning.
- Vid frågor om konfigurationen av routern, se routerns bruksanvisning för felsökning/problemlösning.
- Kontrollera att Soundbar-enheten befinner sig i WLAN-parkopplingsläget. Statuslysdioden för nätverk (5) pulserar.
- Kontrollera att Hama Smart Audio-appen är installerad på din smartphone.
- Öppna Hama Smart Audio-appen och tryck på [CONFIGURE].
- Tryck sedan på [Add More Speakers].
- Öppna WLAN-inställningarna på din smartphone genom att trycka på [OPEN Settings].
- Sök efter Soundbar-enheten **Hama SIRIUM4000ABT** i WLAN-inställningarna på din smartphone.
- Koppla ihop din smartphone med Soundbar.
- Öppna Hama Smart Audio-appen på din smartphone.
- Välj önskat WLAN-namn (SSID).
- Ange nätverksnyckeln och bekräfta med [Save].
- Bekräfta de valda inställningarna genom att trycka på [CONFIRM].
- Nu ansluter Soundbar-enheten till nätverket. När anslutningen har upprättats visas "Configured Successfully Hama Soundbar" på din smartphone.
- Nu lyser statuslysdioden för nätverket (5) kontinuerligt blått.
- Tryck på [Sources] längst ner på skärmen för att upprätta en anslutning till ditt Amazon-konto.
- Tryck sedan på skärmknappen [Amazon Alexa].
- Tryck på [Sign in with Amazon] för att öppna webbläsaren så att du kan ange inloggningsuppgifterna.
- Ange inloggningsuppgifterna för ditt Amazon-konto med hjälp av knappsatsen på din smartphone.

- Du kan också skapa ett nytt Amazon-konto genom att trycka på **[Create a new Amazon account]**.
- När du har loggat in kommer du tillbaka till Hama Smart Audio-appen.
- Välj nu det språk som du vill att Alexa ska reagera på.
- Öppna Amazon Alexa-appen och ange inloggningsuppgifterna igen.
- Ställ sedan in dina personliga inställningar (tidszon, enhetens namn o.s.v.) i Amazon Alexa-appen. Mer information finns på www.amazon.com -> Hjälp och kundservice.

Information Alexa Push to talk/Function Key

- Tryck kort på **[Åtgärds/tyst mikrofon]**-knappen (3) på Soundbar-enheten för att aktivera Alexa när ljudet är på eller höja volymen. Som alternativ kan man trycka på åtgärdsknappen (3) på fjärrkontrollen.
- Tryck på och håll **[Åtgärds/tyst mikrofon]**-knappen (3) intryckt i ca 3 sekunder för att stänga av mikrofonen. Du kan också trycka på **[MUTE]**-knappen (4) på fjärrkontrollen. Nu svarar inte Soundbar-enheten på aktiveringsordet förrän mikrofonen är på igen. Om mikrofonen är avstängd kan man fortfarande använda Soundbar-enheten via knapparna på Soundbar eller fjärrkontrollen.

7. Bluetooth första anslutning (parkoppling)

Via Bluetooth kan du ansluta terminalutrustningar till Soundbar-enheten och använda dem som uppspelningsenhet. Uppspelningen styrs då direkt från terminalutrustningen eller fjärrkontrollen. Man kan också justera volymen på Soundbar-enheten.

Information – Bluetooth®

- Kontrollera om din bärbara enhet (smarttelefon, surfplatta etc.) är Bluetooth-kompatibel.
 - Observera att räckvidden för Bluetooth® uppgår till max. 10 meter utan hinder som väggar, människor och dylikt.
 - Anslutningen kan störas av andra Bluetooth®-enheter/-förbindelser i närheten.
 - Soundbar-enheten kan bara anslutas till en terminalutrustning i taget.
 - Tänk på att kompatibiliteten beror på vilka Bluetooth®-profiler som stöds samt på vilka Bluetooth®-versioner som används (se: Tekniska data, bruksanvisning för den enhet som används).
-
- Kontrollera att den Bluetooth-kompatibla enheten är påslagen och att Bluetooth är aktiverat.
 - Aktivera Bluetooth-läget genom att trycka flera gånger på Soundbar-enhetens **[MODE]**-knapp (2).
 - Som alternativ kan man trycka på **[Bluetooth]** (13) på fjärrkontrollen.
 - Statuslysdioden för Bluetooth (7) börjar pulsera blått.
 - Tryck och håll **[MODE]** (2) intryckt i ca 5 sekunder för att aktivera parkopplingsläget. • Statuslysdioden för Bluetooth (7) börjar blinka snabbt.
 - Öppna Bluetooth-inställningarna på terminalutrustningen och vänta tills **Hama SIRIUM4000ABT** visas i listan över Bluetooth-enheter.
 - Starta eventuellt sökning efter Bluetooth-enheter på din terminalutrustning.
 - Välj Soundbar **Hama SIRIUM4000ABT** i listan över tillgängliga enheter och vänta tills du ser att Soundbar-enheten visas som ansluten i Bluetooth-inställningarna för terminalutrustningen.
 - Nu lyser statuslysdioden för Bluetooth (7) kontinuerligt blått.
 - Starta och styr ljuduppspelningen antingen via terminalutrustningen eller fjärrkontrollen.

8. Förbindelse via Auxiliary Input/Line In

Via den analoga ljudingången (Line In/AUX) kan man ansluta mobila terminalutrustningar (t.ex. smartphones, surfplattor, MP3-spelare o.s.v.) samt äldre analoga källor (CD-/DVD-spelare o.s.v.) till Soundbar samt återge ljudsignalen via Soundbar. Man kan antingen ansluta via en 3,5 mm ljudkabel (teleplugg) eller en RCA-kontakt.

Information

- Stäng av Soundbar innan du ansluter en terminalutrustning.
- Böj och kläm inte kabeln.
- Om du vill spela upp via **LINE In**-anslutningen ska du med hjälp av en RCA-kontakt ansluta terminalutrustningen via **LINE In**-uttaget (1) till Soundbar samt välja **LINE In**-läget.
- Om du vill spela upp via **AUX**-anslutningen med hjälp av en 3,5 mm ljudkabel (telefonplugg) ska du ansluta terminalutrustningen via **AUX**-uttaget (2) till Soundbar samt välja **AUX**-läget.
- Tryck på [POWER] (1) för att starta Soundbar.
- Aktivera Line In- eller **AUX**-läget genom att trycka flera gånger på Soundbar-enhetens [MODE]-knapp (2).
- Statuslysdioden för **AUX/Line In** (9) lyser rött om du har valt **LINE IN**-läget och blått om du har valt **AUX**-läget.
- Som alternativ kan man även trycka på [AUX] (12) på fjärrkontrollen om anslutningen sker via en 3,5 mm ljudkabel (teleplugg) eller [**LINE In**] (11) vid anslutning via en RCA-kabel.

9. Anslutning via en optisk kabel/koaxialkabel

Du kan ansluta terminalutrustningen (t.ex. tv-apparaten) via Soundbar-enhetens digitala ljudingångar och återge terminalutrustningens ljudsignal via Soundbar. Du kan välja mellan att ansluta via en optisk signalkabel eller en koaxialkabel.

Information

- Stäng av Soundbar innan du ansluter en terminalutrustning.
- Ta bort skyddskåporna från de båda ändarna på den optiska signalkabeln före anslutningen.
- Böj och kläm inte kabeln.

- Anslut den optiska signalkabeln (ingår i leveransen) till Soundbar-enhetens optiska ljudingång (4) och terminalutrustningens optiska ljudutgång samt välj **Optical**-läget för att spela upp via den optiska ljudanslutningen.
- Anslut en koaxialkabel till Soundbar-enhetens koaxiala ljudingång (3) och terminalutrustningens koaxiala ljudutgång samt välj **Coaxial**-läget för att spela upp via den koaxiala ljudanslutningen.
- Tryck på [POWER] (1) och håll den intryckt i ca 3 sekunder för att starta Soundbar.
- Aktivera **Optical**-läget eller **Coaxial**-läget genom att trycka flera gånger på Soundbar-enhetens [MODE]-knapp (2).
- Statuslysdioden **Optical/Coaxial** (8) lyser blått om du har valt **Optical**-läget och rött om du har valt **Coaxial**-läget.
- Som alternativ kan man trycka på [**Optical In**] (16) på fjärrkontrollen vid en anslutning via en optisk signalkabel eller [**Coax In**] (10) vid anslutning via en koaxialkabel.

10. Underhåll och skötsel

- Använd bara en luddfri, lätt fuktad trasa för att rengöra produkten och använd inga aggressiva rengöringsmedel.
- Stäng av radion och dra ur sladden om den inte ska användas på ett tag. Förvara den på en ren och torr plats utan direkt solljus.

11. Garantifriskrivning

Hama GmbH & Co. KG tar inget ansvar eller ger ingen garanti för skador som beror på olämplig installation eller montering och olämplig produktanvändning eller på att bruksanvisningen och/eller säkerhetsanvisningarna inte följts.

12. Service och support

Kontakta gärna Hamas produktrådgivning om du har frågor om produkten.

Support: +49 9091 502-115 (ty/eng)

Du hittar mer supportinformation här:

www.hama.com

13. Kasseringsinformation Miljöskydd:



Från den tidpunkt när de europeiska direktiven 2012/19/EU och 2006/66/EG började gälla i den nationella lagstiftningen gäller följande: Elektriska och elektroniska apparater samt batterier får inte kastas i hushållssoporna. Förbrukaren har enligt lag skyldighet att lämna elektriska och elektroniska apparater samt batterier till inrättade, allmänna insamlingsställen eller till inköpsstället när produkterna når slutet av sin livslängd. Detaljer regleras i det aktuella landets lagstiftning. Symbolen på produkten, bruksanvisningen eller förpackningen pekar på dessa bestämmelser. Med återanvändningen, materialåtervinningen eller andra former av återvinning av gamla produkter/batterier, bidrar du till att skydda vår miljö.

14. Försäkran om överensstämmelse

CE Härmed försäkrar Hama GmbH & Co KG, att denna typ av radioutrustning [00054843] överensstämmer med direktiv 2014/53/EU. Den fullständiga texten till EU-försäkran om överensstämmelse finns på följande webbadress:
www.hama.com -> 00054843 -> Downloads.

Eller de frekvensband	2.412 GHz – 2.483 GHz 2.402 GHz - 2.480 GHz
Maximala radiofrekvenseffekt	19.5 dBm EIRP 8 dBm EIRP



00054843

Käyttöelementit ja näytöt**A Bedienfeld Soundbar**

1. [POWER]-painike
2. [MODE]-painike
3. [toiminto/mikrofonin mute]-painike
4. [VOLUME] +/- -painikkeet
5. Tila-LED verkko
6. Tila-LED Streaming
7. Tila-LED Bluetooth/USB
8. Tila-LED optinen/koaksiaalinen
9. Tila-LED AUX/Line In
10. Tila-LED Dolby

B Taustapuoli

1. Line IN -liitäntä V/O
2. AUX-In-liitäntä
3. Koaksiaaliliitäntä
4. Optical In -liitäntä
5. [PAIRING]-painike verkko
6. USB Playback
7. [PAIRING]-painike Subwoofer
8. Verkkojohto
9. Kierre seinätelineeseen kiinnittämiseen

C Kaukosäädin

10. [POWER]-painike
11. [MUTE]-painike
12. Toimintopainike
13. [MUTE]-painike mikrofoni
14. [BASS] +/- -painikkeet
15. [VOLUME] +/- -painikkeet
16. CINEMA
17. MUSIC
18. VOICE
19. COAX IN -tila
20. LINE In -tila
21. AUX In -tila
22. Bluetooth-tila
23. [FORWARD]-painike
24. [PLAY/PAUSE]-painike
25. Optical In -tila

D Subwoofer

1. [Pairing]-painike Subwoofer

**Tärkeä ohje - käyttöohje:**

- Tämä on lyhyt ohje, jossa annetaan tärkeimmät perustiedot, kuten turvallisuusohjeet ja tuotteen käyttöönoton opastus.
- Ympäristön suojelemiseksi ja arvokkaiden raaka-aineiden säästämiseksi Hama ei toimita painettuja käyttöohjeita ja tarjoaa ne ainoastaan PDF-latauksina / sähköisinä ohjeina osoitteessa www.hama.com.
- Käytä hakutoimintoa hakemisen helpottamiseksi ja tuotenumeroa hakusanana löytääksesi oman tuotteesi dokumentaation.
- Vaihtoehtoisesti pääset käyttöohjeeseen seuraavan QR-koodin avulla.
- Tallenna käyttöohje tietokoneellesi ja tulosta se tarpeen vaatiessa.

1. Varoitusten ja ohjeiden selitykset

Varoitus

Käytetään turvaohjeiden merkitsemiseen ja huomion kiinnittämiseen erityisiin vaaroihin ja riskeihin.

Ohje

Käytetään lisätietojen tai tärkeiden ohjeiden merkitsemiseen.

Sähköiskun riski

Tämä symboli viittaa tuotteen eristämättömien osien kosketusta aiheutuvaan vaaraan, joka saattaa aiheuttaa niin suuren jännitteen, että on olemassa sähköiskun vaara.

2. Pakkauksen sisältö

- Soundbar
- Subwoofer
- Kaukosäädin
- 2x AAA-paristoa
- 1x optinen signaalikaapeli
- Verkkolaite
- Lyhyt ohje

3. Turvaohjeet

- Tuote on tarkoitettu yksityiseen, ei-kaupalliseen kotikäyttöön.
- Suojaa tuote lialta, kosteudelta ja ylikuumenemiselta, ja käytä sitä vain kuivissa tiloissa.
- Tämä tuote, kuten muutkaan sähkökäyttöiset tuotteet, ei kuulu lasten käsiin!
- Älä päästä laitetta putoamaan, äläkä altista sitä voimakkaalle tärinälle.
- Älä käytä tuotetta sen teknisissä tiedoissa ilmoitettujen suorituskykyrajojen ulkopuolella.
- Pidä pakkausmateriaalit poissa lasten ulottuvilta, niistä aiheutuu tukehtumisvaara.
- Hävitä pakkausmateriaalit heti paikallisten jätehuoltomääräysten mukaisesti.
- Älä tee muutoksia laitteeseen. Muutosten tekeminen aiheuttaa takuun raukeamisen.

Sähköiskun riski

- Älä avaa tuotetta, äläkä käytä sitä enää, jos se on vaurioitunut.
- Älä käytä tuotetta, jos AC-adapteri, adapterin johto tai virtajohto on vaurioitunut.
- Älä yritä huoltaa tai korjata tuotetta itse. Jätä kaikki huoltotyöt vastuulliselle ammattihenkilöstölle.

Varoitus - Paristot

- Varmista ehdottomasti, että paristojen navat (merkinnät + ja -) ovat oikein päin, ja aseta ne paikoilleen sen mukaisesti. Jos tätä ohjetta ei noudateta, paristot voivat vuotaa tai räjähtää.
- Älä anna lasten vaihtaa paristoja ilman valvontaa.
- Älä sekoita keskenään vanhoja ja uusia paristoja tai erityyppisiä tai eri valmistajan paristoja.
- Ota paristot pois laitteista, jotka ovat pitkään käyttämättä,
- Älä oikosulje paristoja.
- Älä lataa paristoja.
- Älä heitä paristoja tuleen.
- Säilytä paristot poissa lasten ulottuvilta.

4. Ennen käyttöönottoa

Kaukosäätimen ottaminen käyttöön

Avaa paristolokeron kansi. Kansi sijaitsee kaukosäätimen takapuolella ja voidaan avata siirtämällä sitä merkittyy suuntaan.

Toimituksen sisältöön kuuluu kaksi AAA-paristoa, jotka on asetettava käyttöönottoa varten paristolokeroon.

Varmista, että paristot asetetaan sisään oikeanapaisesti. Oikeanapaisuus (+ / -) on merkitty paristolokeroon.

5. Käyttöönotto

Varoitus

- Ota tuotteeseen virta ainoastaan sallitusta pistorasiasta. Pistorasian tulee olla asennettu tuotteen lähelle sekä helposti saavutettavissa.
- Kytke tuote irti verkosta virtakatkaisimen avulla. Mikäli katkaisinta ei ole, irrota virtajohto pistorasiasta.
- Huomioi monipaikkaisten pistorasioiden yhteydessä, että liitetyt kuluttajat eivät saa ylittää sallittua kokonaisottoa.
- Erota tuote verkosta, jos et käytä sitä pidempään aikaan.

Kytkeminen päälle

- Työnä Soundbarin ja Subwooferin verkkokaapelit asianmukaisesti asennettuihin pistorasioihin.
- Paina [POWER]-painiketta (1) Soundbarin kytkemiseksi päälle. Vaihtoehtoisesti voit painaa kaukosäätimen [POWER]-painiketta (1).

Ohje – ensimmäisen käyttöönoton yhteydessä

- Soundbar ja Subwoofer on jo liitetty toimitustilassa.
- Soundbar on ensimmäisen päälle kytkennän yhteydessä tilassa "Laitteen ensiasetukset" heti kun verkon tila-LED (5) alkaa vilkkumaan.

6. Soundbarin asetusten teko

Ohje

- Tuotteen kaikkien toimintojen käyttäminen edellyttää Amazon Alexa -sovelluksen lataamista ja Amazon-tilin luomista. Noudata Amazon Alexa -sovelluksen ohjeita. Lisätietoja on sivulla www.amazon.com.
- Varmista, että päätelaitteessa on tarvittavat liitännät Soundbarin kytkemiseen. Noudata käytettävän päätelaitteen käyttöohjetta.

6.1. Hama Smart Audio -sovelluksen lataaminen

Ohje

Seuraavia käyttöjärjestelmiä tuetaan:

- iOS 8 tai uudempi
- Android 4.4.2 tai uudempi
- Ava iTunes AppStore tai Google Play Store älypuhelimesta.
- Sovelluksen löytää hakutoiminnolla.
- Lataa sovellus normaaliin tapaan ja asenna se älypuheliimeen. Noudata älypuhelimien ohjeita.

6.2. Laitteen ensiasetusten tekeminen käytettäessä Hama Smart Audio -sovellusta (ALEXA-toiminto)

Ohje Ohje - WLAN (langaton verkko)

- Varmista, että reititin on kytkettynä päälle ja yhteys internetiin / verkkoon on muodostettuna.
- Aktivoi reitittimesi WLAN-yhteys, jos ei vielä aktivoituna.
- Jos sinulle ilmaantuu kysymyksiä reitittimen konfiguraatiosta, käytä vian etsintään / ongelman ratkaisuun reitittimen käyttöohjetta.
- Varmista, että Soundbar on WLAN-Pairing-tilassa. Tila-LED verkko (5) vilkkuu.
- Varmista, että Hama Smart Audio -sovellus on asennettu älypuheliimeen.
- Avaa Hama Smart Audio -sovellusta ja kosketa kenttää [CONFIGURE].
- Kosketa sen jälkeen kenttää [Add More Speakers].
- Avaa älypuhelimien WLAN-asetukset koskettamalla kenttää [OPEN Settings].
- Etsi älypuhelimien WLAN-asetuksista Soundbar Hama **SIRIUM4000ABT**.
- Kytke älypuhelin Soundbarin kanssa.
- Avaa nyt Hama Smart Audio -sovellus älypuhelimesta.
- Valitse haluttu WLAN-nimi (SSID).
- Syötä nyt verkkoavain ja vahvista tiedot valitsemalla [Save].
- Vahvista valitut asetukset koskettamalla kenttää [CONFIRM].
- Soundbar kytketään nyt verkon kanssa. Kun yhteyden luominen onnistui, älypuhelimessa näkyy teksti "Configured Successfully Hama Soundbar".
- Tila-LED verkko (5) palaa nyt jatkuvasti sinisenä.
- Kosketa kenttää [Sources] kuvaruudun alareunasta luodaksesi yhteyden Amazon-tilin kanssa.
- Kosketa sen jälkeen kenttää [Amazon Alexa].
- Kosketa kenttää [Sign in with Amazon] avataksesi verkkoselaimen pääsytietojen syöttämistä varten.
- Syötä Amazon-tilin pääsytiedot älypuhelimien näppäimillä.

- Vaihtoehtoisesti voit luoda uuden Amazon-tilin kenttää [Create a new Amazon account] koskettamalla.
- Kun sisäänkirjautuminen onnistui, näyttöön ilmestyy jälleen Hama Smart Audio -sovellus.
- Valitse nyt kieli, johon Alexan on tulevaisuudessa tarkoitus reagoida.
- Avaa Amazon Alexa -sovellus ja syötä pääsytiedot uudelleen.
- Tee Amazon Alexa -sovelluksesta sen jälkeen henkilökohtaiset asetukset (aikavyöhyke, laitteen nimi jne.). Lisätietoja on osoitteessa www.amazon.com -> Hilfe und Kundenservice.

Ohje Ohje - Alexa Push to talk/ Function Key

- Paina lyhyesti Soundbarin [toiminto / mikrofonin mute]-painiketta (3) aktivoitaksesi Alexan audiokäytön ja/tai suuren äänenvoimakkuuden aikana. Vaihtoehtoisesti voit painaa kaukosäätimen toimintopainiketta (3).
- Paina ja pidä [toiminto / mikrofonin mute]-painiketta (3) kolmen sekunnin ajan kytkeäksesi mikrofonin pois päältä. Vaihtoehtoisesti voit painaa kaukosäätimen [MUTE]-painiketta (4). Soundbar ei nyt enää reagoi aktivointisanaan ennen kuin mikrofoni aktivoidaan uudelleen. Mikäli mikrofoni on kytketty pois päältä, Soundbaria voi edelleenkin ohjata Soundbarin ja/tai kaukosäätimen painikkeilla.

7. Ensimmäinen Bluetooth-yhteys (parinmuodostus)

Päätelaittee voi yhdistää Soundbarin kanssa Bluetooth-yhteyden avulla, jolloin Soundbaria voi käyttää audiosignaalin toistolaitteena. Toiston ohjaus tapahtuu suoraan päätelaitteesta tai kaukosäätimestä. Myös äänenvoimakkuutta voi säädellä suoraan Soundbarista.

Ohje – Bluetooth®

- Tarkasta, onko mobiililaitte (älypuhelin, tablettitietokone, tms.) Bluetooth-yhteensopiva.
- Huomioi, että Bluetooth®-yhteyden kantavuus on enintään 10 metriä, ilman esteitä kuten seinät, henkilöt, tms.
- Yhteys voi häiriytyä muiden lähistöllä olevien Bluetooth®-laitteiden/-yhteyksien vuoksi.
- Soundbarin voi yhdistää aina vain yhteen päätelaitteeseen.
- Huomaa, että yhteensopivuus riippuu tuetuista Bluetooth®-profileista sekä käytetyistä Bluetooth®-versioista. (ks.: Tekniset tiedot, käytetyn päätelaitteen käyttöohje)
- Varmista, että Bluetooth-kykyinen päätelaite on kytkettynä päälle ja että Bluetooth on aktivoituna.
- Aktivoi Bluetooth-tila painamalla Soundbarin [MODE]-painiketta (2) toistamiseen.
- Vaihtoehtoisesti voit painaa kaukosäätimen [Bluetooth]-painiketta (13).
- Tila-LED Bluetooth (7) alkaa vilkkumaan sinisenä.
- Paina ja pidä [MODE]-painiketta (2) painettuna n. viiden sekunnin ajan Pairing-tilan aktivoimiseksi. • Tila-LED Bluetooth (7) alkaa vilkkumaan nopeasti.
- Avaa päätelaitteen Bluetooth-asetukset ja odota, kunnes löydettyjen Bluetooth-laitteiden listassa näkyy Hama **SIRIUM4000ABT**.
- Käynnistä tarvittaessa Bluetooth-laitteiden haku päätelaitteesta.
- Valitse Soundbar Hama **SIRIUM4000ABT** saatavilla olevien laitteiden listasta ja odota, kunnes Soundbar näytetään päätelaitteen Bluetooth-asetuksissa kytkettynä.
- Tila-LED Bluetooth (7) palaa nyt jatkuvasti sinisenä.
- Käynnistä ja ohjaa audiotointia päätelaitteesta ja/tai kaukosäätimestä.

8. Yhteys Auxiliary Input/Line In -liitännän kautta

Analogisten audiotulojen (Line In/AUX) kautta voi kytkeä kannettavia päätelaitteita (esim. älypuhelimien, tablettitietokoneen, MP3-soittimen jne.) sekä vanhempia analogisia lähteitä (CD-/DVD-soittimen jne.) Soundbariin ja laitteiden audiosignaalin voi toistaa SoundZbarin kautta. Liitännän voi tehdä 3,5 mm:n audiokaapelilla (jakkikaapeli) tai Cinch-kaapelilla.

Ohje

- Kytke Soundbar pois päältä, ennen kuin kytket siihen päätelaitteen.
- Älä taita johtoa äläkä aseta sitä puristuksiin.
- Mikäli audiotisto halutaan tehdä **LINE In** -liitännän kautta, liitä päätelaite Soundbarin kanssa **LINE In** -liitännästä (1) Cinch-kaapelilla ja valitse **LINE In** -tila.
- Mikäli audiotisto halutaan tehdä **AUX**-liitännän kautta, liitä päätelaite Soundbarin kanssa **AUX**-liitännästä (2) 3,5 mm:n audiokaapelilla (jakkikaapeli) ja valitse **AUX**-tila.
- Paina [POWER]-painiketta (1) Soundbarin kytkemiseksi päälle.
- Aktivoi Line In- ja/tai AUX-tila painamalla Soundbarin [MODE]-painiketta (2) toistamiseen.
- Tila-LED **AUX /Line In** (9) palaa punaisena, kun **LINE IN** -tila on valittu ja/tai sinisenä, kun **AUX**-tila on valittu.
- Vaihtoehtoisesti voit painaa kaukosäätimen [AUX]-painiketta (12) luodessasi yhteyden 3,5 mm:n audiokaapelilla (jakkikaapelilla) ja/tai [**LINE In**]-painiketta (11) luodessasi yhteyden Cinch-kaapelilla.

9. Yhteys optisella/koaksiaalisella kaapelilla

Soundbarin digitaalisten audiotulojen kautta voi kytkeä päätelaitteen (esim. TV-laitteen), minkä jälkeen päätelaitteen audiosignaalin voi toistaa Soundbarin kautta. Liitännän voi tehdä optisella signaali-kaapelilla tai koaksiaalisella kaapelilla.

Ohje

- Kytke Soundbar pois päältä, ennen kuin kytket siihen päätelaitteen.
- Poista suojakannet optisen signaali-kaapelin molemmista päistä ennen kytkentää.
- Älä taita johtoa äläkä aseta sitä puristuksiin.

- Für eine Wiedergabe über den optischen Audioanschluss schließen Sie das optische Signalkabel (Lieferumfang) am optischen Audioeingang (4) der Soundbar und am optischen Audioausgang Ihres Endgerätes an und wählen den Optical Modus.
- Für eine Wiedergabe über den coaxialen Audioanschluss schließen Sie ein Coaxialkabel an den coaxialen Audioeingang (3) der Soundbar und den coaxialen Audioausgang Ihres Endgerätes an und wählen den Coaxial Modus.
- Drücken und halten Sie [POWER] (1) für ca. 3 Sekunden, um die Soundbar einzuschalten.
- Aktivieren Sie durch wiederholtes Drücken der [MODE]-Taste (2) auf der Soundbar den Optical Modus bzw. den Coaxial Modus.
- Die Status-LED Optical/Coaxial (8) leuchtet blau, wenn der Optical Modus gewählt wurde bzw. rot, wenn der Coaxial Modus gewählt wurde.
- Alternativ drücken Sie [Optical In] (16) auf der Fernbedienung bei einer Verbindung über ein optisches Signalkabel bzw. [Coax In] (10) bei einer Verbindung über ein Coaxialkabel.

10. Hoito ja huolto

- Puhdista tämä tuote ainoastaan nukkaamattomalla, kevyesti kostutetulla liinalla äläkä käytä syövyttäviä puhdistusaineita.
- Mikäli et käytä tuotetta pidempään aikaan, kytke laite pois päältä ja erota se sähköverkosta. Varastoi se puhtaassa, kuivassa tilassa ilman suoraa auringon säteilyä.

11. Vastuun rajoitus

Hama GmbH & Co. KG ei vastaa millään tavalla vahingoista, jotka johtuvat epäasianmukaisesta asennuksesta tai tuotteen käytöstä eikä käyttöohjeen ja/tai turvaohjeiden vastaisesta toiminnasta.

12. Huolto ja tuki

Tuotetta koskevissa kysymyksissä pyydämme kääntymään Haman tuoteneuvonnan puoleen.

Hotline: +49 9091 502-115 (saksa/englanti)

Lisää tukitietoja on osoitteessa

www.hama.com

13. Hävittämisohjeet

Ympäristönsuojelua koskeva ohje:



Siitä lähtien, kun Euroopan unionin direktiivit 2012/19/EU ja 2006/66/EY otettiin käyttöön kansallisessa lainsäädännössä, pätevät seuraavat määräykset: Sähkö- ja elektroniikkalaitteita ja paristoja ei saa hävittää talousjätteen mukana. Kuluttajalla on lain mukaan velvollisuus toimittaa sähkö- ja elektroniikkalaitteet sekä akut niiden käyttöiän päätyttyä niille varattuihin julkisiin keräyspisteisiin tai palauttaa ne myyntipaikkaan. Tähän liittyvistä yksityiskohdista säädetään kulloisenkin osavaltion laissa. Näistä määräyksistä mainitaan myös tuotteen symbolissa, käyttöohjeessa tai pakkauksessa. Uudelleenkäytöllä, materiaalin uudelleenkäytöllä tai muilla vanhojen laitteiden/akkujen uudelleenkäyttötavoilla on tärkeä vaikutus yhteisen ympäristöömme.

14. Vaatimustenmukaisuusvakuutus



Hama GmbH & Co KG vakuuttaa, että radiolaitetyyppi [00054843] on direktiivin 2014/53/EU mukainen.

EU-vaatimustenmukaisuusvakuutuksen täysimittainen teksti on saatavilla seuraavassa internetosoitteessa:

www.hama.com -> 00054843 -> Downloads.

Radiotaajuudet	2.412 GHz – 2.483 GHz 2.402 GHz - 2.480 GHz
Suurin mahdollinen lähetysteho radiotaajuuksilla	19.5 dBm EIRP 8 dBm EIRP

00054843



Betjeningselementer og visninger**A Bedienfeld Soundbar**

1. [POWER]-tast
2. [MODE]-tast
3. [Aktion/mikrofon-mute]-tast
4. [VOLUME] +/- -taster
5. Statuslysdioder netværk
6. Statuslysdioder streaming
7. Statuslysdioder Bluetooth/USB
8. Statuslysdioder optisk/koaksial
9. Statuslysdioder AUX/Line In
10. Statuslysdioder Dolby

B Bagside


1. Line In-bøsning L/R
2. AUX-In-stik
3. Coaxial-stik
4. Optical-In-stik
5. [PAIRING]-tast netværk
6. USB Playback
7. [PAIRING]-tast subwoofer
8. Netforsyningsledning
9. Gevind til fastgørelse på vægholderen

C Fjernbetjening

1. [POWER]-tast
2. [MUTE]-tast
3. Aktionstast
4. [MUTE]-tast mikrofon
5. [BASS] +/- -taster
6. [VOLUME] +/- -taster
7. CINEMA
8. MUSIC
9. VOICE
10. COAX IN-modus
11. LINE In-modus
12. AUX In-modus
13. Bluetooth-modus
14. [FORWARD]-tast
15. [PLAY/PAUSE]-tast
16. Optical In-modus

D Subwoofer

1. [Pairing]-tast subwoofer

 Vigtig henvisning - Betjeningsvejledning:

- Dette er en kort vejledning, som giver dig vigtige basis-informationer om ibrugtagning af dit produkt og sikkerhedshenvisninger.
- Af miljømæssige årsager undlader firmaet Hama at printe betjeningsvejledningen for at undgå spild af værdifulde råstoffer, og tilbyder heraf denne udelukkende som PDF-download/eManual under www.hama.com an.
- Anvend søgefunktionen for lettere at kunne finde produktokumentationen med artikelnummeret som søgebegreb.
- Betjeningsvejledningen kan også fås ved at anvende den efterfølgende QR-kode.
- Gem denne betjeningsvejledning for at kunne søge efter informationer i denne på din computer og udprint den om nødvendigt.

1. Forklaring af advarselssymboler og henvisninger

Advarsel

Anvendes til at markere sikkerhedshenvisninger eller til at gøre opmærksom på særlige farer og risici.

Bemærkning

Anvendes til at markere yderligere informationer eller vigtige henvisninger.

Fare for elektrisk stød

Dette symbol henviser til fare for berøring med produktets uisolerede dele, som muligvis leder en farlig spænding, der er så kraftig, at der er fare for elektrisk stød.

2. Pakningsindhold

- Soundbar
- Subwoofer
- Fjernbetjening
- 2x AAA-batterier
- 1x optisk signalkabel
- Strømforsyning
- Kort vejledning

3. Sicherheitshinweise

- Produktet er beregnet til privat, ikke-erhvervs mæssig husholdningsbrug.
- Beskyt produktet mod smuds, fugtighed og overophedning, og anvend det kun i tørre rum.
- Dette produkt skal, som alle elektriske produkter, opbevares utilgængeligt for børn!
- Tab ikke produktet, og udsæt det ikke for kraftige rystelser.
- Anvend ikke produktet uden for dets ydelsesgrænser, der er angivet i de tekniske data.
- Hold ubetinget børn borte fra emballeringsmaterialet, der er fare for kvælning.
- Bortskaf straks emballeringsmaterialet i henhold til de lokalt gældende forskrifter for bortskaffelse.
- Undlad at foretage ændringer på apparatet. Derved bortfalder alle garantikrav

Fare for elektrisk stød

- Åbn ikke produktet, og anvend det ikke længere ved beskadigelser.
- Anvend ikke produktet, hvis AC-adapteren, adapterkablet eller netledningen er beskadiget.
- Forsøg aldrig selv at vedligeholde eller reparere produktet. Overlad alle vedligeholdelsesarbejder til det ansvarlige fagpersonale.

Advarsel - batterier

- Sørg ubetinget for, at batteriernes poler vender rigtigt (påskrift + og -), og læg dem tilsvarende i. Ved manglende overholdelse er der fare for, at batterierne løber ud eller eksploderer.
- Tillad ikke, at børn udskifter batterier uden opsyn.
- Bland ikke gamle og nye batterier og batterier af forskellig type eller fra forskellige producenter.
- Fjern batterier fra produkter, der ikke anvendes i længere tid.
- Kortslut ikke batterierne.
- Oplad ikke batterier.
- Kast ikke batterier i ild.
- Opbevar batterier uden for børns rækkevidde.

4. Før ibrugtagningen

Ibrugtagning af fjernbetjeningen

Åbn batterirummets afdækning. Den befinder sig på bagsiden af fjernbetjeningen og kan åbnes ved at skubbe den i den markerede retning.

Til leveringsomfanget hører to AAA-batterier, som du skal lægge i batterirummet ved ibrugtagningen. Sørg for, at batteriernes poler vender rigtigt, når du lægger dem i. Den foreskrevne polaritet (+/-) er markeret i batterirummet.

5. Ibrugtagning

Advarsel

- Tilslut kun produktet til en stikdåse, der er godkendt til det. Stikdåsen skal være placeret i nærheden af produktet, og der skal være nem adgang til den.
- Afbryd produktet fra nettet ved hjælp af tænd/sluk-kontakten - træk netledningen ud af stikdåsen, hvis kontakten ikke findes.
- Vær ved multistikdåser opmærksom på, at de tilsluttede forbrugere ikke overskrider det tilladte samlede effektforbrug.
- Afbryd produktet fra nettet, hvis du ikke bruger det i længere tid.

Tilkobling

- Forbind netkablerne på soundbaren og på subwooferen med stikdåser, der er installeret korrekt.
- Tryk på [POWER] (1) for at tænde for soundbaren. Tryk som alternativ på [POWER]-tasten (1) på fjernbetjeningen.

Bemærk – når radioen tændes første gang

- I leveringstilstanden er soundbar og subwoofer allerede forbundet.
- Ved den første tilkobling befinder soundbaren sig i modus „Første indstilling af apparatet“, så snart statuslysdioden for netværket (5) pulserer.

6. Indstilling af soundbaren

Bemærkning

- For at kunne anvende produktets fulde funktionsomfang skal Amazon Alexa-appen downloades, og der skal oprettes en Amazon-konto. Følg i den forbindelse anvisningerne i Amazon Alexa-appen. Yderligere informationer hertil findes under www.amazon.com.
- Sørg for, at din slutenhed har de nødvendige tilslutninger til forbindelsen med soundbaren. Læs i den forbindelse betjeningsvejledningen til slutenheden, som du anvender.

6.1. Download af Hama Smart Audio-appen

Bemærkning

Følgende styresystemer understøttes:

- OS 8 eller højere
- Android 4.4.2 eller højere
- Åbn iTunes AppStore eller Google Play Store på din smartphone.
- Ved hjælp af søgefunktionen kan du finde appen.
- Download appen som sædvanligt, og installér den på din smartphone. Følg i den forbindelse anvisningerne på din smartphone.

6.2. Første indstilling af apparatet med Hama Smart Audio-appen (ALEXA-funktion)

Bemærkning Bemærk - WLAN (kabeløst netværk)

- Kontrollér, at routeren er tændt, og at der er en forbindelse til internettet/netværket.
- Aktivér din routers WLAN-forbindelse, hvis det endnu ikke er sket.
- Hvis du har spørgsmål vedrørende konfigurationen af routeren, skal du anvende betjeningsvejledningen til routeren til fejlsøgning/problemøsning.
- Sørg for, at soundbaren findes i WLAN-pairing-modusen. Statuslysdioden for netværket (5) pulserer.
- Sørg for, at Hama Smart Audio-appen er installeret på din smartphone.
- Åbn Hama Smart Audio-appen, og berør [CONFIGURE].
- Berør derefter [Add More Speakers].
- Åbn WLAN-indstillingerne på din smartphone ved at berøre [OPEN Settings].
- Søg efter soundbaren Hama **SIRIUM4000ABT** i WLAN-indstillingerne på din smartphone.
- Forbind din smartphone med soundbaren.
- Åbn nu Hama Smart Audio-appen på din smartphone.
- Vælg det ønskede WLAN-navnet (SSID).
- Indtast nu din netværkskode, og bekræft med [Save].
- Bekræft de valgte indstillinger ved at berøre [CONFIRM].
- Soundbaren forbindes nu med netværket. Når forbindelsen er etableret, vises „Configured Successfully Hama Soundbar“ på smartphonen.
- Statuslysdioden for netværket (5) lyser nu konstant blå.
- Berør [Sources] på den nederste skærmkant for at etablere en forbindelse til din Amazon-konto.
- Berør derefter knappen [Amazon Alexa].
- Berør [Sign in with Amazon] for at åbne webbrowseren for at indtaste dine adgangsdata.
- Indtast adgangsdataene for din Amazon-konto med tastaturet på din smartphone.

- Som alternativ kan oprette en ny Amazon-konto ved at berøre [Create a new Amazon account].
- Når tilmeldingen er afsluttet, kommer du tilbage til Hama Smart Audio-appen.
- Vælg nu sproget, som Alexa i fremtiden skal reagere på.
- Åbn Amazon Alexa-appen, og indtast dine adgangsdata igen.
- Foretag derefter dine personlige indstillinger (tidszone, apparatnavn, etc.) i Amazon Alexa-appen. Yderligere informationer hertil findes under www.amazon.com -> Hjælp og kundeservice.

Bemærkning Bemærk - Alexa Push to talk/ Function Key

- Tryk kort på [Aktion / Mikrofon Mute]-tasten (3) på soundbaren for at aktivere Alexa under audiofunktionen eller høj lydstyrke. Tryk som alternativ på aktionstasten (3) på fjernbetjeningen.
- Tryk [Aktion / Mikrofon Mute]-tasten (3), og hold den nede i ca. 3 sekunder for at frakoble mikrofonen. Tryk som alternativ på [MUTE]-tasten (4) på fjernbetjeningen. Soundbaren reagerer nu ikke længere på aktiveringsordet, indtil mikrofonen aktiveres igen. Hvis mikrofonen er frakoblet, kan soundbaren fortsat betjenes med tasterne på soundbaren eller på fjernbetjeningen.

7. Bluetooth Erstverbindung (Pairing)

Via Bluetooth kan du forbinde dine slutenheder med soundbaren og anvende den som afspilningsenhed for audiosignaler. Afspilningen styres i den forbindelse direkte med slutenheden eller fjernbetjeningen. Lydstyrken kan også reguleres direkte på soundbaren.

Bemærkning – Bluetooth®

- Kontrollér, om din mobile slutenhed (smartphone, tablet-pc, etc.) er Bluetooth-kompatibelt.
- Vær opmærksom på, at rækkevidden for Bluetooth® er maks. 10 meter uden forhindringer som f.eks. vægge, personer, etc.
- Det kan forekomme, at forbindelsen forstyrres af andre Bluetooth®-enheder/forbindelser i omgivelserne.
- Soundbaren kan altid kun styres med en slutenhed.
- Vær opmærksom på, at kompatibiliteten afhænger af de understøttede Bluetooth®-profiler og de anvendte Bluetooth®-versioner. (se: Tekniske data, betjeningsvejledning til den anvendte slutenhed)
- Kontrollér, at din Bluetooth-kompatible slutenhed er tændt, og at Bluetooth er aktiveret.
- Aktivér Bluetooth-modus på soundbaren ved at trykke flere gange på [MODE]-tasten (2).
- Tryk som alternativ på [Bluetooth] (13) på fjernbetjeningen.
- Statuslysdioden for Bluetooth (7) begynder at pulserer blåt.
- Tryk på [MODE] (2), og hold den inde i ca. 5 sekunder for at aktivere pairing-modusen. Statuslysdioden for Bluetooth (7) begynder at blinke hurtigt.
- Åbn Bluetooth-indstillingerne på din slutenhed, og vent, indtil Hama **SIRIUM4000ABT** vises i listen over fundne Bluetooth-enheder.
- Start evt. søgningen efter Bluetooth-enheder på din slutenhed.
- Vælg soundbaren Hama **SIRIUM4000ABT** i listen over tilgængelige enheder, og vent, indtil soundbaren vises som forbundet i Bluetooth-indstillingerne på din slutenhed.
- Statuslysdioden for Bluetooth (7) lyser nu konstant blåt.
- Start og styr audioafspilningen i overensstemmelse hermed via slutenheden eller fjernbetjeningen.

8. Forbindelse via Auxiliary Input/Line In

Via de analoge audioindgange (Line In/ AUX) kan du tilslutte mobile slutenheder (f.eks. smartphone, tablet-pc, MP3-spiller, etc.) og ældre analoge kilder (cd-/dvd-spiller etc.) til soundbaren og afspille deres audiosignal via soundbaren. Hertil har du valgt mellem tilslutningen via et 3,5 mm audiokabel (jackkabel) eller via et cinchkabel.

Bemærkning

- Frakobl soundbaren, før du tilslutter en slutenhed til den.
- Knæk og klem ikke kablet.
- For at afspille via **LINE In**-tilslutningen skal du forbinde din slutenhed med soundbaren via **LINE In**-bøsningen (1) ved hjælp af et cinchkabel og vælge **LINE In**-modus.
- For at afspille via **AUX**-tilslutningen skal du forbinde din slutenhed med soundbaren via **AUX**-bøsningen (2) ved hjælp af et 3,5 mm audiokabel (jackkabel) og vælge **AUX**-modus.
- Tryk på [POWER] (1) for at tilkoble soundbaren.
- Aktivér **Line In**- eller **AUX**-modus ved at trykke flere gange på [MODE]-tasten (2) på soundbaren.
- Statuslysdioden **AUX/Line In** (9) lyser rødt, når **LINE IN**-modus blev valgt, eller blåt, når **AUX**-modus blev valgt.
- Tryk som alternativ på [AUX] (12) på fjernbetjeningen ved en forbindelse via et 3,5 mm audiokabel (jackkabel) eller [**LINE In**] (11) ved en forbindelse via et cinchkabel.

9. Forbindelse via Optical/Coaxial

Du kan tilslutte din slutenhed (f.eks. tv) via de digitale audioindgange på soundbaren og afspille dets audiosignal via soundbaren. Hertil har du valgt mellem tilslutningen via et optisk signalkabel eller via et koaksialkabel.

Bemærkning

- Frakobl soundbaren, før du tilslutter en slutenhed til den.
- Fjern beskyttelseskapperne fra begge det optiske kables ender, før du tilslutter det.
- Knæk og klem ikke kablet.

- For at afspille via den optiske audiotilslutning skal du tilslutte det optiske signalkabel (leveringsomfang) til den optiske audioindgang (4) på soundbaren og på den optiske audioindgang på din slutenhed og vælge **Optical**-modus.
- For at afspille via den koaksiale audiotilslutning skal du tilslutte et koaksialkabel til den koaksiale audioindgang (3) på soundbaren og den koaksiale audioindgang på din slutenhed og vælge **Coaxial**-modus.
- Tryk på [POWER] (1), og hold den inde i ca. 3 sekunder for at tilkoble soundbaren.
- Aktivér **Optical**-modus eller **Coaxial**-modus ved at trykke flere gange på [MODE]-tasten (2) på soundbaren.
- Statuslysdioden **Optical/Coaxial** (8) lyser blåt, når **Optical**-modus blev valgt, eller rødt, når **Coaxial**-modus blev valgt.
- Tryk som alternativ på [Optical In] (16) på fjernbetjeningen ved en forbindelse via et optisk signalkabel eller [Coax In] (10) ved en forbindelse via et koaksialkabel.

10. Vedligeholdelse og pleje

- Rengør kun dette produkt med en fnugfri, let fugtet klud, og anvend ikke aggressive rengøringsmidler.
- Hvis du ikke anvender produktet i længere tid, skal du slukke apparatet og afbryde det fra strømforsyningen. Opbevar det på et rent, tørt sted uden sollys.

11. Udelukkelse af garantikrav

Hama GmbH & Co. KG påtager sig ikke ansvar eller garanti for skader, der skyldes ukorrekt installation, montering og ukorrekt brug af produktet eller manglende overholdelse af betjeningsvejledningen og/eller sikkerhedshenvisningerne.

12. Service og support

Kontakt venligst Hama-produktrådgivningen, hvis du har spørgsmål vedrørende produktet.

Hotline: +49 9091 502-115 (tysk/engelsk)

Du finder flere supportinformationer på:

www.hama.com

13. Bortskaffelsehenvisninger

Henvisninger vedrørende miljøbeskyttelse:



Fra og med indførelsen af EU-direktiverne 2012/19/EU og 2006/66/EF i national ret gælder følgende: Elektrisk og elektronisk udstyr samt batterier må ikke bortskaffes sammen med almindeligt husholdningsaffald. Forbrugeren er lovmæssigt forpligtet til at aflevere udtjent elektrisk og elektronisk udstyr samt batterier til dertil indrettede, offentlige indsamlingssteder eller til forhandleren. De nærmere bestemmelser vedr. dette fastlægges af lovgivningen i det pågældende land. Symbolet på produktet, brugsvejledningen eller emballagen henviser til disse bestemmelser. Ved genbrug, genvinding eller andre former for nyttiggørelse af udtjent udstyr/batterier giver du et vigtigt bidrag til beskyttelse af miljøet.

14. Overensstemmelseserklæring

CE Hermed erklærer Hama GmbH & Co KG, at radioudstyrstypen [00054843] er i overensstemmelse med direktiv 2014/53/EU.

EU-overensstemmelseserklæringens fulde tekst kan findes på følgende internetadresse:

www.hama.com -> 00054843 -> Downloads.

Frekvensbånd	2.412 GHz – 2.483 GHz 2.402 GHz - 2.480 GHz
Maksimal radiofrekvenseffekt	19,5 dBm EIRP 8 dBm EIRP

00054843



Betjeningsselementer og indikatorer

A Betjeningsfelt Soundbar

1. [POWER]-knapp
2. [MODE]-knapp
3. [Aktion / Mikrofon mute]-tast
4. [VOLUM] +/- -taster
5. Status-LED nettverk
6. Status-LED streaming
7. Status-LED Bluetooth/USB
8. Status-LED optisk/koaksial
9. Status-LED AUX/line in
10. Status-LED Dolby

B Bakside

1. Line in kontakt V/H
2. AUX in kontakt
3. Koaksial kontakt
4. Optical in kontakt
5. [PAIRING]-tast nettverk
6. USB playback
7. [PAIRING]-tast subwoofer
8. Strømledning
9. Gjenge for feste på veggholder

C Fjernkontroll

1. [POWER]-knapp
2. [MUTE]-knapp
3. Aktion-tast
4. [MUTE]-tast mikrofon
5. [BASS] +/- -taster
6. [VOLUME] +/- -taster
7. CINEMA
8. MUSIC
9. VOICE
10. COAX IN-modus
11. LINE in modus
12. AUX in modus
13. Bluetooth-modus
14. [FORWARD]-tast
15. [PLAY/PAUSE]-tast
16. Optical In modus

D Subwoofer

1. [PAIRING]-tast subwoofer

Viktig henvisning - bruksanvisning:

- Dette er en kortveiledning som gir deg viktige grunninformasjoner, slik som sikkerhetshenvisninger og informasjon om hvordan du tar produktet ditt i bruk.
- På grunn av miljøvern og sparing av verdifulle råstoffer, har ikke firmaet Hama en printet bruksanvisning, og tilbyr denne kun som PDF-download / eManual under www.hama.com.
- Bruk artikkelnummeret som søk i søkefunksjonen for å lettere finne riktig produktokumentasjon.
- Alternativt får du bruksanvisningen med følgende QR-kode.
- Denne bruksanvisningen kan du lagre for senere bruk på din PC eller du kan også skrive den ut.

1. Forklaring av faresymboler og merknader

Advarsel

Benyttes for å merke sikkerhetsinformasjon eller for å rette oppmerksomheten mot spesielle farer og risikoer.

Merknad

Benyttes for å merke informasjon eller viktige merknader ytterligere.

Fare for elektrisk støt

Dette symbolet viser til fare for berøring av produktdele som ikke er isolert og som potensielt leder farlig spenning med en styrke som kan forårsake elektriske støt.

2. Pakkeinnhold

- Soundbar
- Subwoofer
- Fjernkontroll
- 2x AAA batterier
- 1x optisk signalkabel
- Strømforsyning
- Kortveiledning

3. Sikkerhetsanvisninger

- Produktet er konstruert for privat, ikke-yrkesmessig bruk i hjemmet.
- Ikke utsett apparatet for smuss, fuktighet og overoppheting, og bruk det kun i tørre rom.
- Dette produktet skal, som alle elektriske apparater, oppbevares utilgjengelig for barn!
- Produktet skal ikke falle ned fra høyder, og må ikke utsettes for kraftig risting.
- Produktet skal ikke benyttes utenfor de ytelsesgrensene som er angitt under tekniske spesifikasjoner.
- På grunn av fare for kvelning skal små barn holdes unna emballasjen.
- Fjern emballasjen umiddelbart i henhold til gyldige lokale forskrifter for avfallshåndtering.
- Foreta aldri endringer på apparatet. Det vil føre til at garantikrav ikke lenger kan gjøres gjeldende.

Fare for elektrisk støt

- Produktet skal ikke åpnes og ikke benyttes dersom det er skadet.
- Produktet skal ikke benyttes dersom AC-adapteren, adapterkabelen eller nettleddingen er skadet
- Prøv aldri å vedlikeholde eller reparere produktet på egenhånd. Vedlikeholdsarbeid skal kun utføres av ansvarlig fagpersonell.

Advarsel – batterier

- Vær alltid oppmerksom på batterienes polaritet (+ og -) og sørg for at de legges inn korrekt. Hvis polariteten ikke er korrekt, er det fare for at batterivæsken renner ut eller fare for eksplosjon.
- Små barn skal ikke skifte batterier uten tilsyn av en voksen.
- Bland aldri gamle og nye batterier, og bruk aldri batterier av forskjellige typer eller fra forskjellige produsenter.
- Ta ut batteriene fra produkter som ikke skal benyttes over lengre tid.
- Batteriene skal aldri kortsluttes.
- Lad ikke opp batteriene.
- Kast aldri batterier i åpne flammer.
- Batterier skal oppbevares utilgjengelig for barn.

4. Før idriftsettelse

Ta fjernkontrollen i bruk

Åpne dekelet til batterirommet. Den befinner seg på baksiden av fjernkontrollen og åpnes ved at den skyves i merket retning.

Leveransen omfatter to AAA-batterier, som må legges inn i batterirommet før produktet kan benyttes. Kontroller at polariteten er korrekt når batteriene legges inn. Korrekt polaritet (+ / -) er merket på batterirommet.

5. Idriftsettelse

Advarsel

- Produktet må bare kobles til en stikkontakt som er godkjent for dette. Stikkontakten må plasseres i nærheten av produktet og være lett tilgjengelig.
- Koble produktet fra strømmettet med på-/avbryteren – hvis denne ikke er tilgjengelig, trekker du strømledningen ut av stikkontakten.
- Vær ved multistiktdåser opmærksom på, at de tilsluttede forbrugere ikke overskrider det tilladte samlede effektforbruk.
- Afbryd produktet fra nettet, hvis du ikke bruker det i lengere tid.

Innkobling

- Nettkabelen til Soundbar og subwoofer forbindes med riktig installerte stikkontakter.
- Trykk på [POWER] (1), for å slå på Soundbar. Alternativt trykker du på [POWER]-tasten (1) på fjernkontrollen.

Merknad ved første gangs innkobling

- Ved levering er Soundbar og subwoofer allerede forbundet med hverandre.
- Ved første innkobling er Soundbar i modus «Første innretting av enheten» med en gang status-LED nettverk (5) pulserer.

6. Innrette Soundbar

Merknad

- For å bruke produktets hele funksjonsområde må i tillegg Amazon Alexa app lastes ned, og en Amazon konto opprettes. Følg henvisningene i Amazon Alexa app. Ytterligere informasjoner om dette finner du under www.amazon.com.
- Se til at slutenheten din har de nødvendige tilkoplingene for å kunne tilkoples Soundbar. Følg bruksveiledningen som følger med slutenheten.

6.1. Last ned Hama Smart Audio app

Merknad

Følgende operativsystem støttes:

- iOS 8 eller høyere
- Android 4.4.2 eller høyere
- Åpne iTunes AppStore eller Google Play Store på din smarttelefon.
- Med søkefunksjonen kan du finne appen.
- Last ned appen som vanlig og installer denne på smarttelefonen din. Følg henvisningene til smarttelefonen din.

6.2. Første innretning av enheten med Hama Smart Audio App (ALEXA-funksjon)

Merknad Henvisning - WLAN (kabeløst nettverk)

- Kontroller at ruterer er innkoblet og fungerer som den skal, og at forbindelsen til Internett/nettverket er etablert.
- Aktiver WLAN-forbindelsen til ruterer din, dersom dette ikke er gjort.
- Dersom det oppstår spørsmål angående konfigurering av ruter, så bruker du bruksanvisningen til ruterer for feilsøk/problemløsning.
- Se til at Soundbar er i WLAN-pairing-modus. Status-LED nettverk (5) pulserer.
- Se til at Hama Smart Audio app er installert på smarttelefonen din
- Åpne Hama Smart Audio app og berør [CONFIGURE].
- Berør deretter [Add More Speakers].
- Åpne WLAN-innstillingene til smarttelefonen din ved å berøre [OPEN Settings].
- I WLAN innstillingene til smarttelefonen din søker du etter Soundbar Hama **SIRIUM4000ABT**.
- Smarttelefonen din forbindes med Soundbar.
- Åpne nå Hama Smart Audio app på smarttelefonen din.
- Velg nå ut ønsket WLAN navn (SSID).
- Tast så inn nettkonfigurasjonen din og bekreft med [Save].
- Bekreft valgte innstillinger ved å berøre [CONFIRM].
- Soundbar forbindes nå med nettverket. Etter vellykket forbindelse vises «Configured Successfully Hama Soundbar» på smarttelefonen..
- Status-LED nettverk (5) lyser nå permanent i blått.
- Berør [Sources] på nedre kant av bildeskjermen for å opprette en forbindelse med din Amazon konto.
- Berør deretter knappen [Amazon Alexa].
- Berør [Sign in with Amazon], for å åpne nettleseren for å taste inn dine tilgangsdata.
- Med tastaturet på smarttelefonen din taster du inn tilgangsdataene til din Amazon-konto.

- Alternativt kan du opprette en ny Amazon-konto ved å berøre [Create a new Amazon account].
- Etter vellykket innlogging kommer du tilbake til Hama Smart Audio app.
- Nå velger du språket som du vil at Alexa skal reagere på.
- Åpne Amazon Alexa app og tast inn dine tilgangsdata på nytt.
- Til slutt foretar du personlige innstillinger (tidssone, enhetens navn, osv.) i Amazon Alexa app. Ytterligere informasjon om dette finner du under www.amazon.com -> Hjelp og kundeservice.

Merknad Henvisning - Alexa Push to talk/ Function Key

- Trykk kort på [Aktion / Mikrofon mute] -tasten (3) på Soundbar, for å aktivere Alexa under audio-drift hhv. aktivere høyere volum.. Alternativt trykker du på Aksjon-tasten (3) på fjernkontrollen.
- Trykk og hold nede [Aktion / Mikrofon Mute] -tasten (3) i ca. 3 sekunder for å slå av mikrofonen. Alternativt trykker du på [MUTE]-tasten (4) på fjernkontrollen. Soundbar reagerer ikke lenger på aktiveringsordet, før mikrofonen er aktivert igjen. Er mikrofonen av, så kan Soundbar fortsatt betjenes over tastene på Soundbar hhv. på fjernkontrollen.

7. Bluetooth førstegangs tilkobling (paring)

Via Bluetooth kan du koble sluttenehetene til Soundbar og bruke dem som avspillingsenhet for lydsignaler. Styringen av avspillingen gjøres direkte på sluttenehet eller fjernkontrollen. Volumet kan også justeres direkte på Soundbar.

Merknad – Bluetooth®

- Kontroller at ditt mobile sluttutstyr (smarttelefon, nettbrett, osv.) er Bluetooth-kompatibelt.
 - Vær oppmerksom på at Bluetooth® har en maksimal rekkevidde på ti meter, uten hindringer som vegger, personer osv.
 - Forbindelsen kan bli forstyrret som følge av andre Bluetooth®-enheter/forbindelser i omgivelsene.
 - Soundbar kan alltid kobles til kun én sluttenehet.
 - Vær oppmerksom på at den brukte Bluetooth® profilens kompatibilitet er avhengig av hvilken Bluetooth® versjon som brukes. (se: Tekniske data, sluttenehetens bruksanvisning)
- Kontroller at din Bluetooth-kompatible sluttenehet er innkoblet, og at Bluetooth er aktivert.
 - Ved å trykke gjentatte ganger på [MODE]-tasten (2) på Soundbar aktiverer du Bluetooth modus.
 - Alternativt trykker du på [Bluetooth] (13) på fjernkontrollen.
 - Status-LED Bluetooth (7) begynner å pulsere i blått.
 - Trykk og hold nede [MODE] (2) i ca. 5 sekunder, for å aktivere paringsmodus. • Status-LED Bluetooth (7) begynner å pulsere raskt.
 - Åpne Bluetooth-innstillingene på slutteneheten, og vent til Hama **SIRIUM4000ABT** vises i listen over lokaliserte Bluetooth-enheter.
 - Start eventuelt søk etter Bluetooth-enheter på slutteneheten din.
 - Velg Soundbar Hama **SIRIUM4000ABT** i listen med lokaliserte enheter og vent til Soundbar vises som forbundet i Bluetooth innstillingene til slutteneheten din.
 - Status-LED Bluetooth (7) lyser nå permanent i blått.
 - Start og styr lydavspillingen tilsvarende over slutteneheten hhv. fjernkontrollen.

8. Forbindelse over Auxiliary input/line in

Over de analoge lydinnngangene (Line in/ AUX) kan du forbinde mobile slutenheter (f.eks. smarttelefon, nettbrett, PC; MP3-spiller, osv.) og eldre analoge kilder (CD-/DVD-spiller osv.) med Soundbar og spille av lydsignalene over Soundbar. Her har du valget å forbinde med en 3,5 mm audiokabel (jakk-kabel) eller over en RCA-kabel.

Merknad

- Slå av Soundbar før du kopler en slutenhet til den.
- Ikke knekk og klem kabelen.
- For avspilling over **LINE in** tilkoplingen forbinde du slutenheten din over **LINE in** kontakten (1) med en RCA-kabel med Soundbar og velg LINE in modus.
- For avspilling over **AUX** forbindelsen forbinde du slutenheten din over **AUX** kontakten (2) med en 3,5 mm audiokabel (jakk-kabel) med Soundbar og velg **AUX** modus.
- Trykk på [POWER] (1), for å slå på Soundbar.
- Ved å trykke gjentatte ganger på [MODE]-tasten (2) på Soundbar aktiverer du Line in hhv. **AUX** modus.
- Status-LED **AUX /Line in** (9) lyser i rødt når LINE IN modus ble valgt, hhv. i blått når **AUX** modus ble valgt.
- Alternativt trykker du på [AUX] (12) på fjernkontrollen ved en forbindelse over en 3,5 mm audiokabel (jakk-kabel) hhv. [LINE In] (11) ved en forbindelse over en RCA-kabel.

9. Forbindelse over optisk/koaksial

Over de digitale lydinnngangene til Soundbar kan du forbinde slutenheten din (f.eks. TV-en) og avspille lydsignalene over Soundbar. Her har du valget å opprette forbindelsen via en optisk signalkabel eller via en koaksialkabel.

Merknad

- Slå av Soundbar før du kopler en slutenhet til den.
- Fjern korkene fra begge ender på den optiske signalkabelen før forbindelsen.
- Ikke knekk og klem kabelen.

- For avspilling over den optiske audioforbindelsen forbinde du den optiske signalkabelen (inkludert i leveringen) med den optiske lydinngangen (4) på Soundbar og på den optiske lydutgangen på slutenheten din og velger Optical modus.
- For avspilling over den koaksiale audioforbindelsen forbinde du en koaksialkabel med den koaksiale lydinngangen (3) på Soundbar og på den koaksiale lydutgangen på slutenheten din og velger Coaxial-modus.
- Trykk og hold nede [POWER] (1) i ca. 3 sekunder for å slå på Soundbar.
- Ved å trykke gjentatte ganger på [MODE]-tasten (2) på Soundbar aktiverer du Optical-modus hhv. Coaxial-modus.
- Status-LED Optical/Coaxial (8) lyser i blått når Optical-modus ble valgt, hhv. i rødt når Coaxial-modus ble valgt.
- Alternativt trykker du på [Optical In] (16) på fjernkontrollen ved en forbindelse over en optisk signalkabel, hhv. [Coax In] (10) ved en forbindelse over en koaksialkabel.

10. Vedlikehold og pleie

- Dette produktet skal kun rengjøres med en lofri, lett fuktet klut, uten aggressive rengjøringsmidler.
- Hvis produktet ikke skal benyttes på en stund, må det kobles ut og kobles fra strømforsyningen. Produktet må lagres på et rent, tørt sted, uten direkte solinnstråling.

11. Fraskrivelse av ansvar

Hama GmbH & Co KG overtar ingen form for ansvar eller garanti for skader som kan tilbakeføres til ukyndig installering eller montering eller ukyndig bruk av produktet eller som følge av at produktet har blitt benyttet uten at bruksveiledningen og/eller sikkerhetsanvisningene er tatt hensyn til.

12. Service og support

Hama-produktservice hjelper deg gjerne videre dersom du har spørsmål om produktet.

Telefonsupport: +49 9091 502-115 (tysk/engelsk)

Her finner du ytterligere supportinformasjon:

www.hama.com

13. Avfallshåndtering

Informasjon om miljøvern



Fra tidspunktet for omsetning av europeisk direktiv 2012/19/EU og 2006/66/EF i nasjonal lov, gjelder følgende: Elektriske og elektroniske apparater og batterier skal ikke deponeres sammen med husholdningsavfall. Forbrukeren er lovmessig forpliktet til å levere inn elektriske og elektroniske apparater og batterier til de offentlige samlestedene eller til salgsstedet når de ikke virker lenger. Detaljer angående dette reguleres i brukslandet. Symbolet på produktet, bruksveiledningen eller emballasjen henviser til denne bestemmelsen. Med gjenvinningen, resirkuleringen av stoff eller andre former for resirkulering av gamle apparater/ batterier bidrar du betydelig for å beskytte miljøet vårt.

14. Samsvarserklæring

CE Hermed erklærer Hama GmbH & Co KG at radioanleggetypen [00054843] tilsvarer direktiv 2014/53/EU. Den komplette teksten til EU-samsvarserklæringen finnes på følgende Internettadresse: www.hama.com -> 00054843 -> Downloads.

Frekvensbånd/ frekvensbånd	2.412 GHz – 2.483 GHz 2.402 GHz - 2.480 GHz
Avstrålt maksimal sendeeffekt	19.5 dBm EIRP 8 dBm EIRP

00054843



hama®

Hama GmbH & Co KG
86652 Monheim/Germany
www.hama.com

The Spotify software is subject to third party licenses found here:
www.spotify.com/connect/third-party-licenses

All listed brands are trademarks of the corresponding companies. Errors and omissions excepted, and subject to technical changes. Our general terms of delivery and payment are applied.