

**Europe, Middle East**

ENGLISH  
FRANÇAIS  
DEUTSCH  
NEDERLANDS  
ITALIANO  
ESPAÑOL  
PORTUGUÊS  
РУССКИЙ  
ΕΛΛΗΝΙΚΑ  
TÜRKÇE  
POLSKI

العربية

**North America/**

**Norteamérica**

ENGLISH  
FRANÇAIS  
ESPAÑOL

**Latin America/**

**América Latina**

ENGLISH  
ESPAÑOL  
PORTUGUÊS

**Asia Pacific**

日本語  
简体中文  
繁體中文  
한국어  
ENGLISH



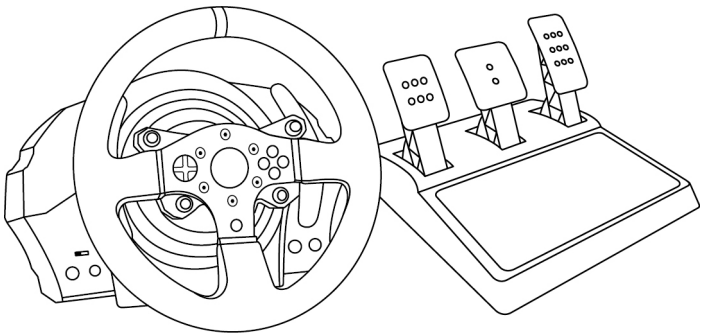
**THRUSTMASTER®**

**T300RS**  
**GT Edition**

# T300RS

## GT Edition

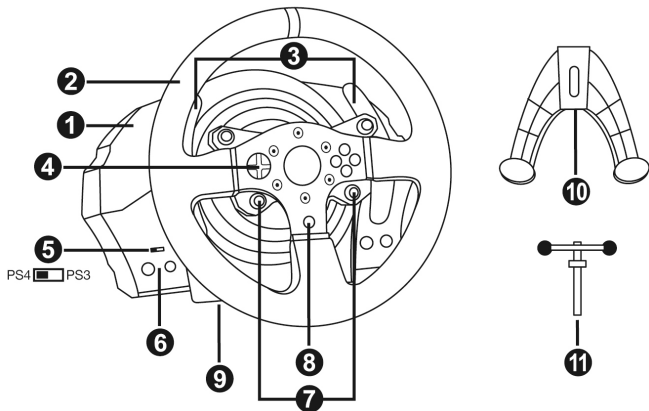
### User Manual



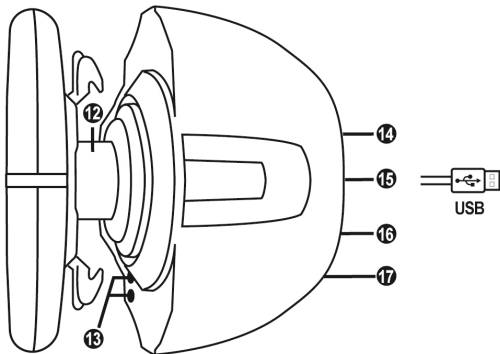
**WARNING:**

To ensure that your T300 racing wheel functions correctly with games, you may be required to install the game's automatic updates (available when your system is connected to the Internet).

# TECHNICAL FEATURES



- 1 T300 RS base
- 2 T300 GT wheel
- 3 2 sequential paddle shifters (up & down)
- 4 Directional buttons
- 5 Built-in USB sliding switch for PS4™/PS3™
- 6 MODE button + red/green indicator light
- 7 SELECT/START buttons on PS3™ and SHARE/OPTIONS on PS4™
- 8 PS button
- 9 Large threaded hole (for attachment system and fastening screw)
- 10 Attachment system
- 11 Metal fastening screw



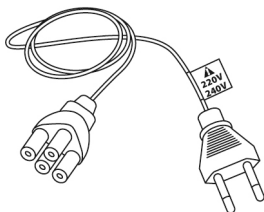
- 12 Thrustmaster Quick Release
- 13 L3/R3 buttons
- 14 Power supply connector (type A or B)  
*(varies from one country to another)*
- 15 Racing wheel USB cable and connector
- 16 Gearbox connector  
*(gearbox sold separately)*
- 17 Pedal set connector

## PLUGGING THE RACING WHEEL INTO AN ELECTRICAL OUTLET: PLEASE READ BEFORE PROCEEDING!

Your racing wheel's power supply varies according to the country where you purchased your device.  
The power supply can be:

### Internal, with:

- \* a power supply unit located directly inside the racing wheel's base, with a type A connector.
- \* a 220-240 V power supply cable.
- = compatible only with 220-240 V electrical power.

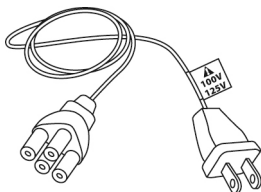


**Never connect the 220-240 V cable  
to a 100-130 V electrical outlet!!!  
Never connect this cable to a power adapter!!!**



### Internal, with:

- \* a power supply unit located directly inside the racing wheel's base, with a type A connector.
- \* a 100-125 V power supply cable.
- = compatible only with 100-125 V electrical power.



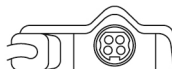
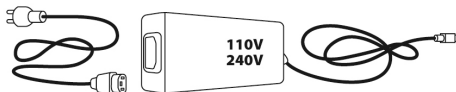
**Never connect the 100-125 V cable  
to a 220-240 V electrical outlet!!!  
Never connect this cable to a power adapter!!!**



**IMPORTANT: if you do not know which voltage is supplied in the area in which you are using  
your racing wheel, please ask your local electricity supplier.**

### External, with:

- \* an external power supply unit, with a type B connector.
- \* a power supply cable.
- = compatible with all electrical voltages, from 110-240 V.



## WARNING

Before using this product, please read this manual carefully and save it for later reference.



### **Warning – Electrical shock**

- \* Keep the product in a dry location and do not expose it to dust or sunlight.
- \* Do not twist or pull on the connectors and cables.
- \* Do not spill any liquid on the product or its connectors.
- \* Do not short-circuit the product.
- \* Never dismantle the product; do not throw it onto a fire and do not expose it to high temperatures.
- \* Do not use a power supply cable other than the one provided with your racing wheel.
- \* Do not use the power supply cable if the cable or its connectors are damaged, split or broken.
- \* Make sure that the power supply cable is properly plugged into an electrical outlet, and properly connected to the connector at the rear of the racing wheel's base.
- \* Do not open up the racing wheel: there are no user-serviceable parts inside. Any repairs must be carried out by the manufacturer, its authorised representative or a qualified technician.
- \* Only use attachment systems/accessories specified by the manufacturer.
- \* If the racing wheel is operating abnormally (if it is emitting any abnormal sounds, heat or odours), stop using it immediately, unplug the power supply cable from the electrical outlet and disconnect the other cables.
- \* If you will not be using the racing wheel for an extended period of time, unplug its power supply cable from the electrical outlet.
- \* The power outlet shall be installed near the equipment and shall be easily accessible.



### **Air vents**

Make sure not to block any of the air vents on the racing wheel's base. For optimal ventilation, make sure to do the following:

- \* Position the wheel's base at least 10cm away from any wall surfaces.
- \* Do not place the base in any tight spaces.
- \* Do not cover the base.
- \* Do not let any dust build up on the air vents.



**For safety reasons, never use the pedal set with bare feet  
or while wearing only socks on your feet.**

**THRUSTMASTER® DISCLAIMS ALL RESPONSIBILITY IN THE EVENT OF  
INJURY RESULTING FROM USE OF THE PEDAL SET WITHOUT SHOES.**



### **Warning – Injuries due to force feedback and repeated movements**

Playing with a force feedback racing wheel may cause muscle or joint pain. To avoid any problems:

- \* Avoid lengthy gaming periods.
- \* Take 10 to 15 minute breaks after each hour of play.
- \* If you feel any fatigue or pain in your hands, wrists, arms, feet or legs, stop playing and rest for a few hours before you start playing again.



### **Warning – Injuries due to force feedback and repeated movements (continued)**

- \* If the symptoms or pain indicated persist when you start playing again, stop playing and consult your doctor.
- \* Keep out of children's reach.
- \* During gameplay, always leave both hands correctly positioned on the wheel without completely letting go.
- \* During gameplay, never place your hands or your fingers under the pedals or anywhere near the pedal set.
- \* During calibration and gameplay, never place your hand or your arm through the openings in the racing wheel.
- \* Make sure that the racing wheel's base is properly secured, as per this manual's instructions.



Product to be handled only by users  
16 years of age or older



**HEAVY PRODUCT**

Be careful not to drop the product on  
yourself or on anyone else!

**ALWAYS**



**NEVER**



**NEVER**





### **Warning – Pedal set pinch hazard when playing**

- \* Keep the pedal set out of children's reach.
- \* During gameplay, never place your fingers on or anywhere near the sides of the pedals.
- \* During gameplay, never place your fingers on or anywhere near the pedal's rear base.
- \* During gameplay, never place your fingers on or anywhere near the pedal's front base.



### **Warning – Pedal set pinch hazard when not playing**

- \* Store the pedal set in a safe place, and keep it out of children's reach.

## **UPDATING YOUR RACING WHEEL'S FIRMWARE**

The firmware included in your racing wheel's base can be updated to a more recent version featuring product enhancements.

To display the firmware version that your racing wheel is currently using and update it if required: on PC, visit <http://support.thrustmaster.com>. Click **Racing Wheels / T300 RS**, then select **Firmware** and follow the instructions describing the download and installation procedure.

#### **Important note:**

On PC, the USB sliding switch (5) on the racing wheel's base must always be set to the PS3™ position.

## INSTALLING THE WHEEL ON ITS BASE

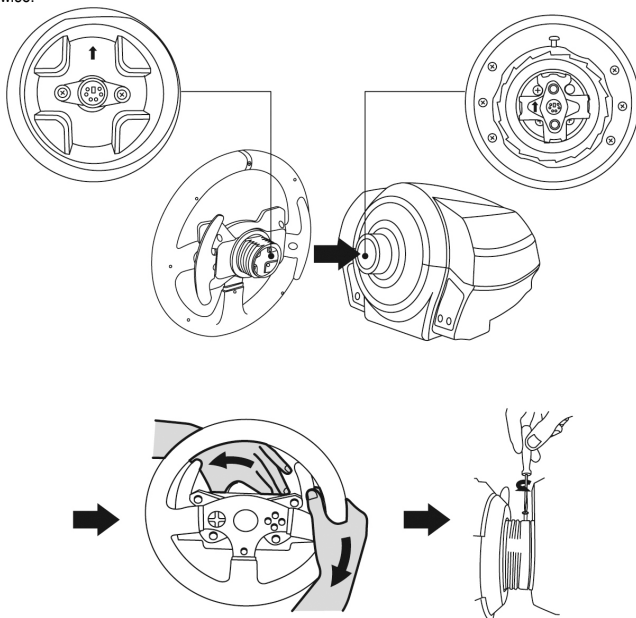
Align the connector positions using the arrows:

**Base (1) connector:** Arrow pointing upwards

**Racing wheel (2) connector:** Arrow pointing upwards

Once the connectors are correctly positioned, simply rotate the Thrustmaster Quick Release (12) device's ring anticlockwise, while holding the racing wheel (2) in position.

Then, tighten the ring as much as you can: to do so, hold the ring in position and rotate the racing wheel clockwise.



Once you have installed the wheel, rotate it 180° (when facing the wheel, the GT logo should be upside down) to access the small attachment screw located on the ring of the Thrustmaster Quick Release (12) device. Use a large Phillips screwdriver to tighten the small attachment screw (do not use excessive force), turning it clockwise.



**When using a Phillips screwdriver, ensure NOT to use excessive force when tightening the small attachment screw!**

**Stop turning the screw as soon as you feel some resistance.**

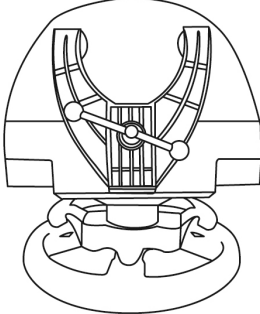


## ATTACHING THE RACING WHEEL

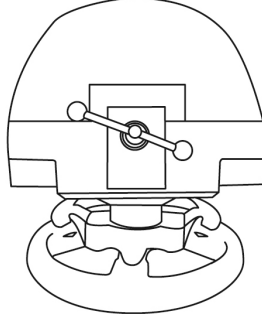
### Attaching the racing wheel to a table or a desktop

1. Place the racing wheel on a table or any other horizontal, flat and stable surface.
2. Insert the fastening screw (11) in the attachment system (10), then tighten the device by turning the screw anticlockwise, so that it feeds into the large threaded hole (9) located beneath the racing wheel, until the wheel is perfectly stable.

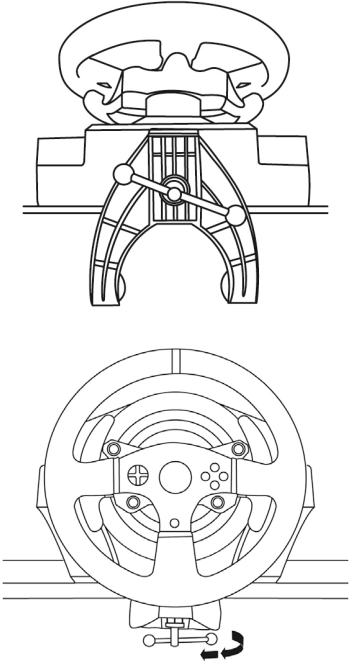
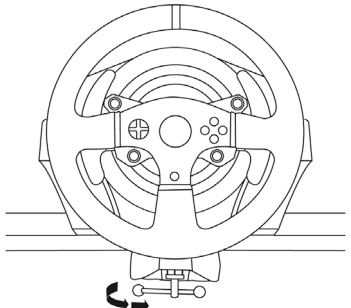
**ALWAYS**



**NEVER**



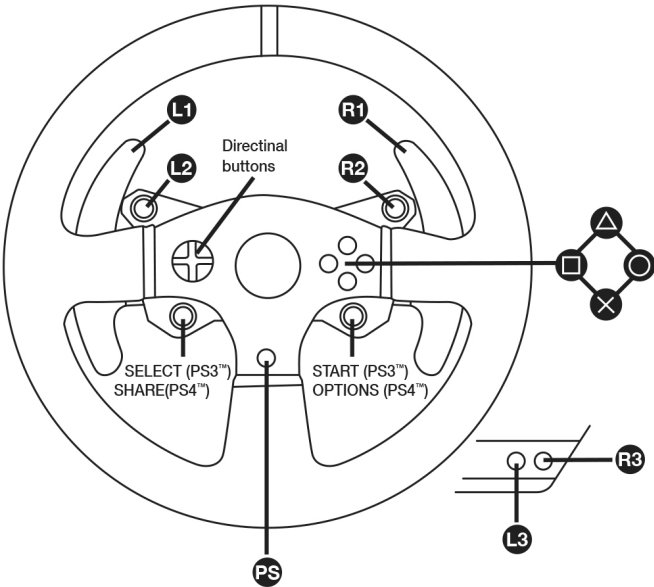
**WARNING:** Never tighten the screw alone, without the attachment system in place!  
*(This could damage the racing wheel.)*

ATTACHMENT / REMOVAL	DIRECTION
<p><b><u>To tighten:</u></b></p> <p><i>Turn the screw anticlockwise</i></p>	 <p>The diagram consists of two parts. The top part is a side view of the steering wheel hub assembly, showing a central screw being turned anticlockwise. The bottom part is a top-down view of the steering wheel, showing the central hub with four screws. A curved arrow indicates the anticlockwise rotation of the central screw.</p>
<p><b><u>To release:</u></b></p> <p><i>Turn the screw clockwise</i></p>	 <p>The diagram consists of one part: a top-down view of the steering wheel, showing the central hub with four screws. A curved arrow indicates the clockwise rotation of the central screw.</p>

## Attaching the racing wheel's base to a cockpit

1. Place the racing wheel's base on the cockpit shelf.
2. Drive two M6 screws (not included) through the cockpit shelf, then feed them into the two small screw threads located on the underside of the racing wheel.  
*Important: The length of the two M6 screws must not exceed the thickness of the shelf + 12 mm; longer screws could cause damage to internal components located in the racing wheel's base.*
3. If required, tighten the standard attachment system by inserting the fastening screw in the large threaded hole.

## PLAYSTATION®3 AND PLAYSTATION®4 MAPPING



## SETTING UP THE RACING WHEEL FOR PLAYSTATION®3 OR PLAYSTATION®4

1. Connect the pedal set to the connector (17) located at the back of the racing wheel's base.
2. Connect the power supply cable to the connector (14) located at the back of the racing wheel's base.
3. Plug the power supply cable into an electrical outlet with the same voltage specifications.



**For more information about this, please refer to the PLUGGING THE RACING WHEEL INTO AN ELECTRICAL OUTLET section, on page 3 in this manual.**

4. Set the USB sliding switch (5) on the racing wheel's base to either the PS3™ or PS4™ position, depending on the system or the game you are using.
5. Connect the racing wheel's USB connector (15) to one of the system's USB ports.
6. Once your system is powered on, your racing wheel will calibrate itself automatically.
7. On PlayStation®4 (when the USB sliding switch is set to the PS4™ position): press the racing wheel's PS button (8) and sign in to your Sony Entertainment Network account, in order to be able to use the wheel.

***You are now ready to play!***

### **Important notes:**

- The USB sliding switch (5) on the racing wheel's base must always be set to the proper position (PS3™ or PS4™) before connecting the wheel's USB cable to the system. To change the sliding switch's position, disconnect the USB cable from the system and then change the position of the switch before reconnecting the USB cable to the system.
- On PlayStation®3, the USB sliding switch (5) must always be set to the PS3™ position:
  - \* The wheel is recognised in most games as a T500RS wheel.
  - \* The wheel is functional in compatible games and in system menus.
  - \* The "PS" function is functional on the wheel.
- On PlayStation®4, with the USB sliding switch (5) in the PS3™ position:
  - \* The wheel is recognised in most games as a T500RS wheel.
  - \* The wheel is functional in compatible games, but not in system menus.
  - \* The "SHARE" and "PS" functions are not functional on the wheel.
- On PlayStation®4, with the USB sliding switch (5) in the PS4™ position:
  - \* Don't forget to press the racing wheel's PS button (8) in order to be able to use the wheel.
  - \* The wheel is recognised in most games as a T300 RS wheel.
  - \* The wheel is functional in compatible games and in system menus.
  - \* The "SHARE" and "PS" functions are functional on the wheel.
- *The list of PlayStation®3 and PlayStation®4 games compatible with the T300 RS (along with the required position for the USB sliding switch (5) according to the game being played) is available at:*

***<http://support.thrustmaster.com>***

***(click Racing Wheels / T300 RS / Games settings).***

***This list is updated regularly.***

## SETTING UP THE RACING WHEEL FOR PC\*

\* PC compatibility not tested nor endorsed by Sony Interactive Entertainment Europe.

For more information, visit <http://support.thrustmaster.com>.

### AUTOMATIC RACING WHEEL AND PEDAL SET CALIBRATION

The wheel automatically self-calibrates when you plug the racing wheel into an electrical outlet and connect the racing wheel's USB connector to the system.

During this phase, the racing wheel will rotate quickly towards the left and the right, covering a 1080 degree angle, before stopping at the centre.



**WARNING:**

**Never touch the racing wheel during the self-calibration phase!**  
*(This could result in improper calibration and/or personal injuries.)*

### AUTOMATIC CALIBRATION OF THE PEDAL SET

Never connect the pedal set to the racing wheel's base (or disconnect it from the base) when it is connected to the system or during gameplay (this could result in improper calibration).

Always connect the pedal set before connecting the racing wheel to the system.

Once the racing wheel's calibration is complete and the game has been started, the pedals are automatically calibrated after a few presses.



**WARNING:**

**Never press the pedals during the racing wheel's self-calibration phase or while a game is loading!**  
*(This could result in improper calibration.)*

**If your racing wheel and/or pedal set do not function correctly, or if they seem to be improperly calibrated:**

Power off your system and completely disconnect the racing wheel. Then reconnect all cables (including the power supply cable and the pedal set), and restart your system and your game.

### INTERNAL TEMPERATURE SENSOR

The wheel's cooling system is composed of a heat sink and a fan.

- A thermostat monitors the wheel's internal temperature.
- When you are using the wheel in a game:
  - The cooling fan starts up when the wheel has reached a certain temperature (after a few minutes of gameplay, depending on the strength of the Force Feedback effects used).
  - The power of the Force Feedback effects automatically decreases as soon as the wheel reaches a much higher temperature level (to protect the motor). The power of these effects automatically increases as soon as the temperature slightly decreases.
- When you're done playing: due to the motor's thermal inertia, the cooling fan continues to operate until the temperature drops below the fan's startup level. Your wheel has been designed in this way in order to facilitate cooling, and to protect the motor (this may take from 5 to 45 minutes, depending on the temperature reached while using the wheel in a game).

## MODE BUTTON AND INDICATOR LIGHT (6)

### MODE button for the pedal set

You can electronically swap the accelerator and clutch pedals.

To do so, simply press the MODE button (6) for 2 seconds.

The racing wheel's internal memory stores whether the pedals have been swapped around or not.

GAS AND CLUTCH PEDALS	Colour of the MODE indicator light (6)
NORMAL	RED
SWAPPED AROUND	GREEN

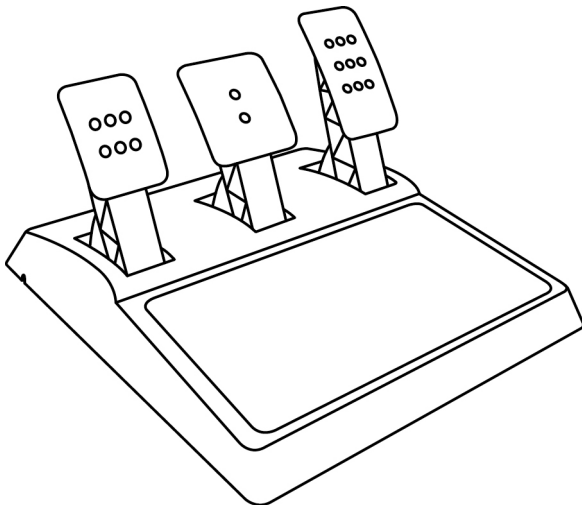
### Other information regarding the MODE button

To learn more about the MODE button and indicator light, please visit <http://support.thrustmaster.com>. Click **Racing Wheels / T300 RS**, and then select **Manual** or **FAQ**.

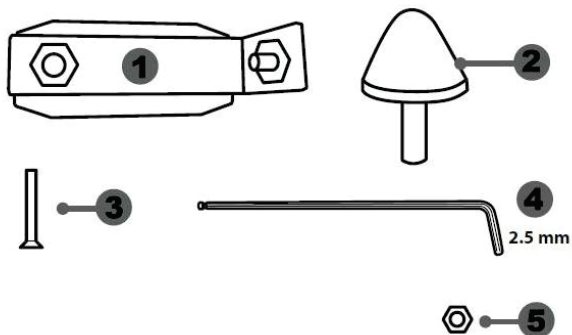
## HELP FILES AND FAQs (NOT INCLUDED IN THIS MANUAL)

Please visit <http://support.thrustmaster.com>. Click **Racing Wheels / T300 RS**, and then select **Manual** or **FAQ**.

# T3PA – GT EDITION PEDAL SET



## TECHNICAL FEATURES



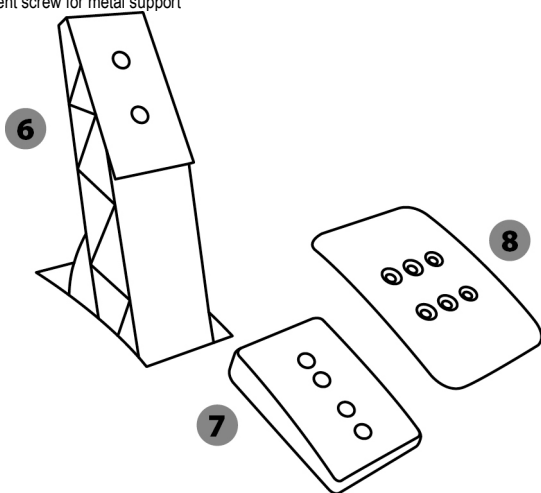
1 Metal support for conical stop  
(not installed by default)

2 Conical stop

3 Attachment screw for metal support

4 2.5 mm Allen key (included)

5 Position adjustment nut for conical stop



6 Pedal arm

7 Plastic head support

8 Metal pedal head



## WARNING

Before using this product, be sure to read these instructions carefully and save them for future reference.



For safety reasons, never use the pedal set with bare feet or while wearing only socks on your feet.

**THRUSTMASTER® DISCLAIMS ALL RESPONSIBILITY IN THE EVENT OF INJURY RESULTING FROM USE OF THE PEDAL SET WITHOUT SHOES.**



### **Warning – Pedal set pinching hazard during gaming sessions**

- \* Keep the pedal set out of the reach of children.
- \* During gaming sessions, never place your fingers or thumbs on or near the sides of the pedals.
- \* During gaming sessions, never place your fingers or thumbs on or near the rear base of the pedals.
- \* During gaming sessions, never place your fingers or thumbs on or near the front base of the pedals.

**NEVER**



**NEVER**



**NEVER**



## AUTOMATIC CALIBRATION OF PEDALS



### **IMPORTANT:**

- Never connect or disconnect the pedal set from the base of the wheel when the wheel is connected to the PS3™ or PS4™ system, or during gaming sessions, to avoid calibration problems.
- Always connect the pedal set to the wheel before connecting the wheel to the PS3™ or PS4™ system.
- Once the wheel has self-calibrated and the game has started, the pedals automatically calibrate themselves after being pressed a few times.
- Never press on the pedals when the wheel is self-calibrating or when your game is starting up, to avoid calibration problems.
- If the pedals are not functioning correctly or appear to be improperly calibrated, power off your system, completely disconnect your wheel, then reconnect all of the cables (including the power supply cable and the pedal set cable), power the system back on and restart your game.

## ATTACHING THE PEDAL SET TO A COCKPIT

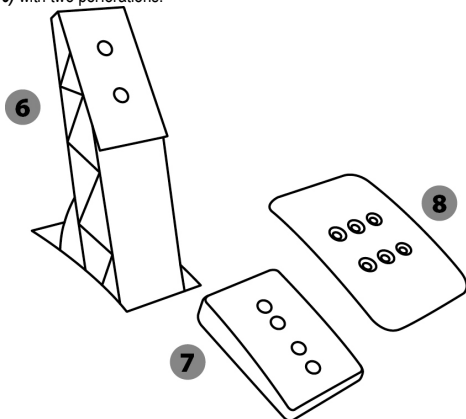
- Attach the pedal set using the small screw threads located on the underside of the pedal set.
- Screw two M6 screws (not included) into the cockpit's pedal support plate and into the two small screw threads located on the underside of the pedal set.

**Important:** The length of the two M6 screws must not exceed the thickness of the cockpit's pedal support plate plus an additional 10 mm, to avoid damaging the pedal set's internal components.

## ADJUSTING THE PEDAL SET

Each of the three pedals includes:

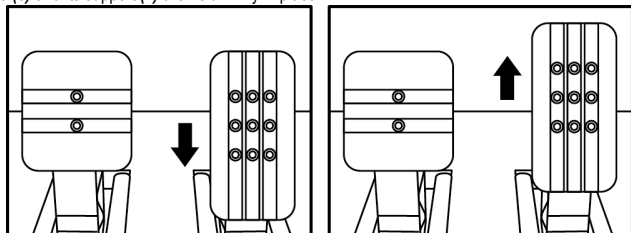
- A metal head (8) with multiple perforations (nine for the accelerator – two for the brake – six for the clutch).
- A plastic head support (7) (placed between the head and the arm) with four perforations.
- A pedal arm (6) with two perforations.



**ATTENTION:** To avoid any calibration problems, be sure to always disconnect your wheel's USB cable from the PS3™ or PS4™ system before making any adjustments to your pedal set.

### Adjusting the HEIGHT of the accelerator pedal

- Using the included 2.5 mm Allen key (4), unscrew the two screws holding the metal head (8) and its support (7) in place.
- Select your preferred height position, then replace and re-tighten the screws so that the metal head (8) and its support (7) are held firmly in place.



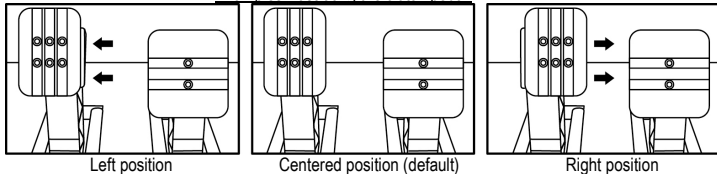
Low position (default)

High position

## Adjusting the SPACING

- Using the included 2.5 mm Allen key (4), unscrew the two screws holding the metal head (8) and its support (7) in place.
- Select your preferred position (to the left, centered, or to the right), then replace and re-tighten the screws so that the metal head (8) and its support (7) are held firmly in place.

Examples illustrating the clutch pedal:



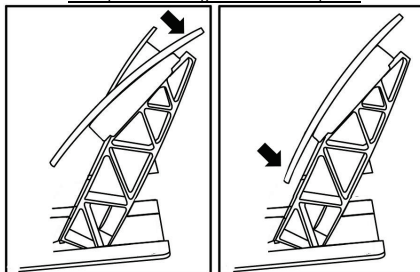
Number of possible spacing positions per pedal:

- Three for accelerator pedal
- Three for clutch pedal

## Adjusting the INCLINATION of the pedals

- Using the included 2.5 mm Allen key (4), unscrew the two screws holding the metal head (8) and its support (7) in place.
- Turn the plastic head support (7) 180°, then replace and re-tighten the screws so that the metal head (8) and its support (7) are held firmly in place.

Examples illustrating the accelerator pedal:



Number of possible inclination positions per pedal:

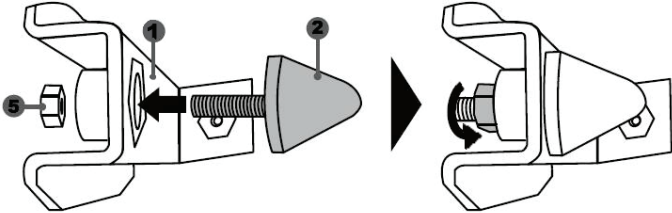
- Two for accelerator pedal
- Two for brake pedal
- Two for clutch pedal

## Installing the conical stop (“CONICAL RUBBER BRAKE” mod)

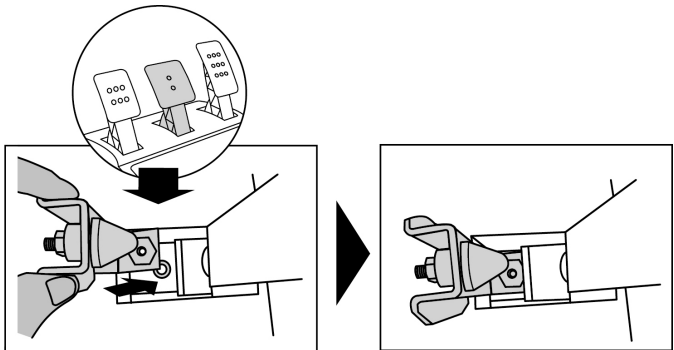
*This modification (or “mod”) is not essential, and is not installed by default. This means that the brake pedal functions perfectly even if the mod is not installed.*

*This mod lets you experience a different feeling and resistance when braking. It’s up to you whether or not to install it, depending on your own preferences.*

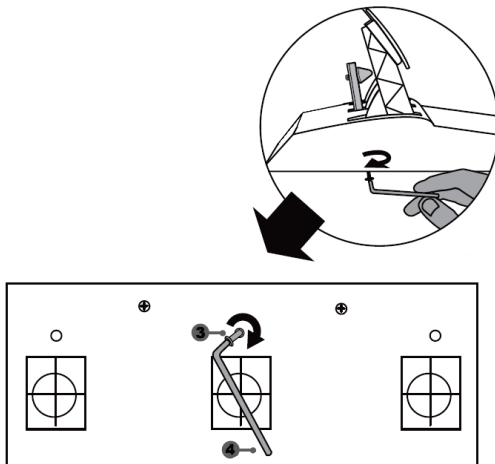
- Screw the conical stop **(2)** onto its metal support **(1)**.
- Screw the position adjustment nut **(5)** onto the bottom (onto the conical stop’s screw thread).



- Position the unit at the back of the brake pedal’s arm.



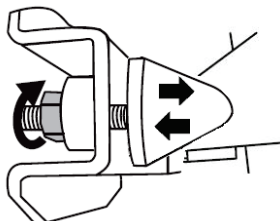
- Using the included 2.5 mm Allen key (4), attach the unit using the attachment screw (3) and the small central screw thread located on the underside of the pedal set.



The "CONICAL RUBBER BRAKE" mod is now installed!

### Adjusting the brake pedal's RANGE of travel and STRENGTH of resistance

By slightly unscrewing the nut (5), you can further strengthen the resistance of the brake pedal by moving the conical stop (2) closer to the back of the pedal's arm (if necessary, use a 14 mm wrench or pliers to re-tighten the nut and maintain the selected position). The closer the conical stop is positioned to the back of the pedal's arm, the greater the strength of resistance will be.



**Note:** When the conical stop is very close to the back of the brake pedal's arm, you may experience difficulties in reaching the maximum calibration value. Should that be the case:

- \* Slowly, press very hard on the brake pedal so as to reach the maximum value (if necessary, stand very briefly on the pedal – just for a second), then release the pressure; or else
- \* Move the conical stop a bit farther away from the back of the brake pedal's arm.

## **CONSUMER WARRANTY INFORMATION**

Worldwide, Guillemot Corporation S.A., whose registered office is located at Place du Granier, B.P. 97143, 35571 Chantepie, France (hereinafter "Guillemot") warrants to the consumer that this Thrustmaster product shall be free from defects in materials and workmanship, for a warranty period which corresponds to the time limit to bring an action for conformity with respect to this product. In the countries of the European Union, this corresponds to a period of two (2) years from delivery of the Thrustmaster product. In other countries, the warranty period corresponds to the time limit to bring an action for conformity with respect to the Thrustmaster product according to applicable laws of the country in which the consumer was domiciled on the date of purchase of the Thrustmaster product (if no such action exists in the corresponding country, then the warranty period shall be one (1) year from the original date of purchase of the Thrustmaster product).

Should the product appear to be defective during the warranty period, immediately contact Technical Support, who will indicate the procedure to follow. If the defect is confirmed, the product must be returned to its place of purchase (or any other location indicated by Technical Support).

Within the context of this warranty, the consumer's defective product shall, at Technical Support's option, be either replaced or returned to working order. If, during the warranty period, the Thrustmaster product is subject to such reconditioning, any period of at least seven (7) days during which the product is out of use shall be added to the remaining warranty period (this period runs from the date of the consumer's request for intervention or from the date on which the product in question is made available for reconditioning, if the date on which the product is made available for reconditioning is subsequent to the date of the request for intervention). If permitted under applicable law, the full liability of Guillemot and its subsidiaries (including for consequential damages) is limited to the return to working order or the replacement of the Thrustmaster product. If permitted under applicable law, Guillemot disclaims all warranties of merchantability or fitness for a particular purpose.

This warranty shall not apply: (1) if the product has been modified, opened, altered, or has suffered damage as a result of inappropriate or abusive use, negligence, an accident, normal wear, or any other cause unrelated to a material or manufacturing defect (including, but not limited to, combining the Thrustmaster product with any unsuitable element, including in particular power supplies, rechargeable batteries, chargers, or any other elements not supplied by Guillemot for this product); (2) if the product has been used for any use other than home use, including for professional or commercial purposes (game rooms, training, competitions, for example); (3) in the event of failure to comply with the instructions provided by Technical Support; (4) to software, said software being subject to a specific warranty; (5) to consumables (elements to be replaced over the product's lifespan: disposable batteries, audio headset or headphone ear pads, for example); (6) to accessories (cables, cases, pouches, bags, wrist-straps, for example); (7) if the product was sold at public auction.

This warranty is nontransferable.

The consumer's legal rights with respect to laws applicable to the sale of consumer goods in his or her country are not affected by this warranty.

### Additional warranty provisions

During the warranty period, Guillemot shall not provide, in principle, any spare parts, as Technical Support is the only party authorized to open and/or recondition any Thrustmaster product (with the exception of any reconditioning procedures which Technical Support may request that the consumer carry out, by way of written instructions – for example, due to the simplicity and the lack of confidentiality of the reconditioning process – and by providing the consumer with the required spare part(s), where applicable).

Given its innovation cycles and in order to protect its know-how and trade secrets, Guillemot shall not provide, in principle, any reconditioning notification or spare parts for any Thrustmaster product whose warranty period has expired.

### Liability

If permitted under applicable law, Guillemot Corporation S.A. (hereinafter "Guillemot") and its subsidiaries disclaim all liability for any damages caused by one or more of the following: (1) the product has been modified, opened or altered; (2) failure to comply with assembly instructions; (3) inappropriate or abusive use, negligence, an accident (an impact, for example); (4) normal wear; (5) the use of the product for any use other than home use, including for professional or commercial purposes (game rooms, training, competitions, for example). If permitted under applicable law, Guillemot and its subsidiaries disclaim all liability for any damages unrelated to a material or manufacturing defect with respect to the product (including, but not limited to, any damages caused directly or indirectly by any software, or by combining the Thrustmaster product with any unsuitable element, including in particular power supplies, rechargeable batteries, chargers, or any other elements not supplied by Guillemot for this product).

**THRUSTMASTER®**

**TECHNICAL SUPPORT**

<http://support.thrustmaster.com>





## COPYRIGHT

© 2017 Guillemot Corporation S.A. All rights reserved. Thrustmaster® is a registered trademark of Guillemot Corporation S.A.

Licensed for sale in Europe, Africa, Middle East, Russia, India and Oceania. For use exclusively with PlayStation®3 and PlayStation®4.

All other trademarks and brand names are hereby acknowledged and are property of their respective owners. Illustrations not binding. Contents, designs and specifications are subject to change without notice and may vary from one country to another. Made in China.

Manufactured and distributed by Guillemot Corporation S.A.

## ENVIRONMENTAL PROTECTION RECOMMENDATION



\* In the European Union: At the end of its working life, this product should not be disposed of with standard household waste, but rather dropped off at a collection point for the disposal of Waste Electrical and Electronic Equipment (WEEE) for recycling.

This is confirmed by the symbol found on the product, user manual or packaging.

Depending on their characteristics, the materials may be recycled. Through recycling and other forms of processing Waste Electrical and Electronic Equipment, you can make a significant contribution towards helping to protect the environment.

Please contact your local authorities for information on the collection point nearest you.

For all other countries: Please adhere to local recycling laws for electrical and electronic equipment.

Retain this information. Colours and decorations may vary.

Plastic fasteners and adhesives should be removed from the product before it is used.

[www.thrustmaster.com](http://www.thrustmaster.com)

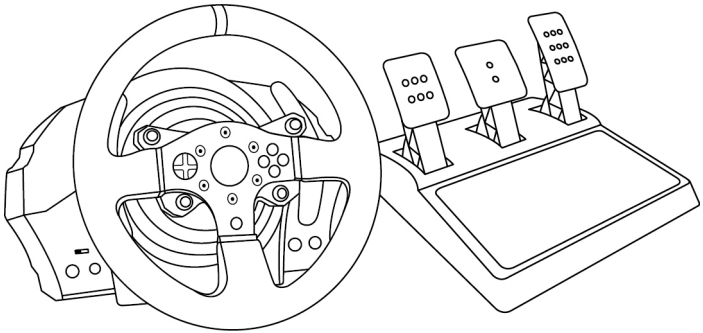
*\*Applicable to EU and Turkey only*



# T300 RS

## GT Edition

### Manuel de l'utilisateur



#### **ATTENTION :**

Pour que le volant T300 fonctionne correctement avec les jeux, il peut être nécessaire d'installer les mises à jour automatiques de ces jeux (*disponibles lorsque votre système est connecté à Internet*).

ENGLISH

FRANÇAIS

DEUTSCH

NEDERLANDS

ITALIANO

ESPAÑOL

PORTUGUÊS

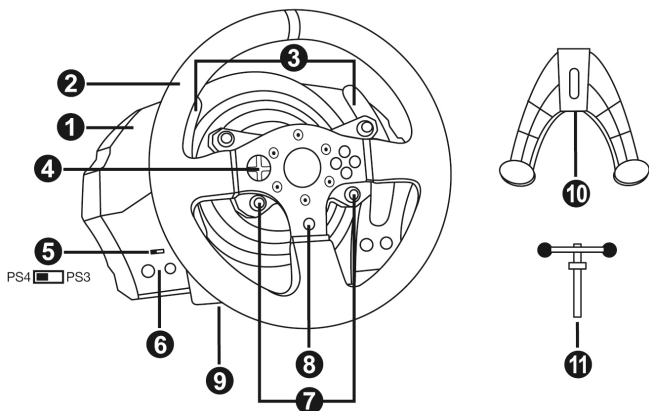
РУССКИЙ

ΕΛΛΗΝΙΚΑ

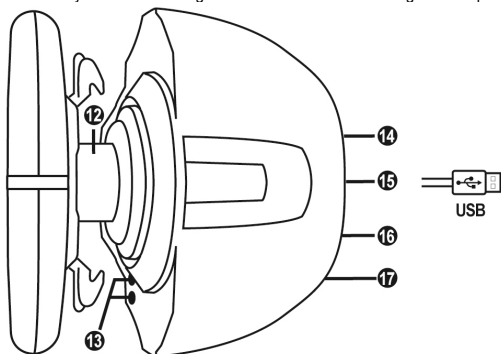
TÜRKÇE

POLSKI

## CARACTERISTIQUES TECHNIQUES



- |   |  |
|---|--|
| <ul style="list-style-type: none"> <li>1 Base T300 RS</li> <li>2 Roue T300 GT</li> <li>3 2 leviers séquentiels de changement de vitesse (up &amp; down)</li> <li>4 Croix multidirectionnelle</li> <li>5 Sélecteur USB intégré pour PS4™/PS3™</li> <li>6 Bouton MODE + Voyant lumineux rouge/vert</li> </ul> | <ul style="list-style-type: none"> <li>7 Boutons SELECT/START sur PS3™ et SHARE/OPTIONS sur PS4™</li> <li>8 Bouton PS</li> <li>9 Gros pas de vis (pour le système de fixation et la vis de serrage)</li> <li>10 Système de fixation</li> <li>11 Vis de serrage métallique</li> </ul> |
|---|--|



- |  |   |
|--|---|
| <ul style="list-style-type: none"> <li>12 Thrustmaster Quick Release</li> <li>13 Boutons L3 / R3</li> <li>14 Connecteur type A ou B pour l'alimentation secteur (diffère d'un pays à l'autre)</li> </ul> | <ul style="list-style-type: none"> <li>15 Câble et connecteur USB du volant</li> <li>16 Connecteur pour la boîte de vitesses (boîte de vitesses vendue séparément)</li> <li>17 Connecteur pour le pédalier</li> </ul> |
|--|---|

## RELIER LE VOLANT AU SECTEUR = A LIRE IMPERATIVEMENT

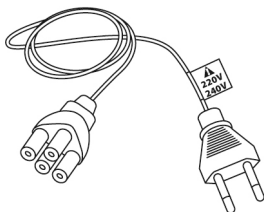
En fonction du pays où vous avez acheté votre volant, l'alimentation secteur de votre volant diffère. Elle est :

### Soit interne avec :

\* Boîtier d'alimentation directement dans la base du volant avec connecteur type A

\* Câble d'alimentation secteur 220-240V.

= uniquement compatible avec du courant 220-240V.



**Ne jamais brancher le câble 220-240V sur une prise de courant 100-130V !!!**  
**Ne jamais relier ce câble à un adaptateur secteur !!!**

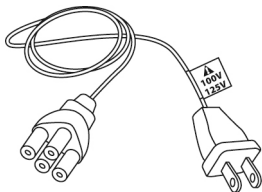


### Soit interne avec :

\* Boîtier d'alimentation directement dans la base du volant avec connecteur type A

\* Câble d'alimentation secteur 100-125V.

= uniquement compatible avec du courant 100-125V.



**Ne jamais brancher le câble 100-125V sur une prise de courant 220-240V !!!**  
**Ne jamais relier ce câble à un adaptateur secteur !!!**



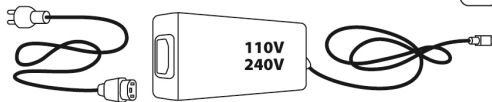
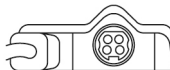
**IMPORTANT : Si vous ne connaissez pas le voltage de la zone dans laquelle vous utilisez le volant, reportez-vous- au fournisseur local d'électricité.**

### Soit externe avec :

\* Boîtier d'alimentation externe à la base du volant avec connecteur type B

\* Câble d'alimentation secteur

= compatible avec tout type de courant 110-240V.



## AVERTISSEMENTS

Avant d'utiliser ce produit, lisez attentivement cette documentation et conservez-la pour pouvoir la consulter ultérieurement.



### **Avertissement – Choc électrique**

- \* Conservez le produit dans un endroit sec et ne l'exposez ni à la poussière ni au soleil.
- \* Ne tordez pas et ne tirez pas sur les connecteurs et câbles.
- \* Ne renversez pas de liquide sur le produit et ses connecteurs.
- \* Ne mettez pas le produit en court-circuit.
- \* Ne démontez jamais le produit, ne le jetez pas au feu et ne l'exposez pas à des températures élevées.
- \* N'utilisez pas de câble d'alimentation autre que celui fourni avec votre volant.
- \* N'utilisez pas le câble d'alimentation secteur si celui-ci où ses connecteurs sont endommagés, fendus ou cassés.
- \* Assurez-vous que le câble d'alimentation secteur est parfaitement inséré dans la prise murale et dans son connecteur situé à l'arrière de la base du volant.
- \* N'ouvrez pas l'appareil. L'appareil ne contient pas de pièces réparables par l'utilisateur. Confiez toute réparation au fabricant, à une agence spécifiée ou un technicien qualifié.
- \* Utilisez uniquement les systèmes de fixation /accessoires spécifiés par le fabricant.
- \* Si le volant fonctionne de manière anormale (s'il émet des sons, de la chaleur ou des odeurs anormales), arrêtez immédiatement de l'utiliser, débranchez le câble d'alimentation de la prise électrique et déconnectez les autres câbles.
- \* Lorsque vous n'utilisez pas le volant pendant une période prolongée, débranchez le câble d'alimentation secteur de la prise électrique.



### **Grilles d'aération**

Veillez à n'obstruer aucune grille d'aération de la base du volant. Pour assurer une ventilation optimale, respectez les points ci-après :

- \* Placez la base à 10 cm au moins d'une surface murale.
- \* Ne placez pas la base dans un endroit exigü.
- \* Ne couvrez pas la base.
- \* Ne laissez pas la poussière s'accumuler sur les grilles d'aération.



**Pour des raisons de sécurité, ne jouez pas pieds nus ou en chaussettes lorsque vous utilisez le pédalier.**

**THRUSTMASTER® DECLINE TOUTE RESPONSABILITE EN CAS DE BLESSURE SUITE A UNE UTILISATION DU PEDALIER SANS CHAUSSURES.**



### **Avertissement – Blessures dues au retour de force et aux mouvements répétitifs**

Jouer avec un volant à retour de force peut causer des douleurs aux muscles et aux articulations. Afin d'éviter tout problème :

- \* Evitez les périodes trop longues de jeu.
- \* Faites une pause de 10 à 15 minutes après chaque heure de jeu.
- \* Si vous éprouvez fatigue ou douleur au niveau des mains, des poignets, des bras, des pieds ou des jambes, cessez de jouer et reposez-vous pendant quelques heures avant de recommencer à jouer.



## **Avertissement – Blessures dues au retour de force et aux mouvements répétitifs (suite)**

- \* Si les symptômes ou les douleurs indiqués ci-dessus persistent lorsque vous reprenez le jeu, arrêtez de jouer et consultez votre médecin.
- \* Laissez hors de portée des enfants.
- \* Lors des phases de jeu, laissez toujours vos deux mains correctement positionnées sur le volant sans jamais le lâcher complètement.
- \* Lors des phases de jeu, ne placez jamais vos mains ou vos doigts sous les pédales ou à proximité du pédalier.
- \* Lors des phases de calibration et de jeu, ne jamais introduire une main ou un bras à l'intérieur de la roue du volant.
- \* Vérifiez que la base du volant est correctement fixée, conformément aux instructions du manuel.



Produit à manipuler uniquement par des personnes âgées de 16 ans ou plus

### **PRODUIT LOURD**



Ne pas laisser tomber le produit sur vous ou une autre personne

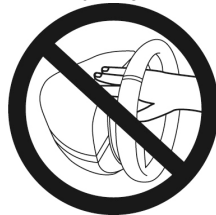
**TOUJOURS**



**JAMAIS**



**JAMAIS**





### **Avertissement – Risque de pincement au niveau du pédalier lors des phases de jeu**

- \* Laissez le pédalier hors de portée des enfants.
- \* Lors des phases de jeu, ne placez jamais vos doigts sur ou à proximité des côtés des pédales.
- \* Lors des phases de jeu, ne placez jamais vos doigts sur ou à proximité de la base arrière des pédales.
- \* Lors des phases de jeu, ne placez jamais vos doigts sur ou à proximité de la base avant des pédales.

**JAMAIS**



**JAMAIS**



**JAMAIS**



### **Avertissement – Risque de pincement au niveau du pédalier lorsque vous n'utilisez pas le pédalier**

- \* Placez le pédalier dans un endroit sûr et hors de portée des enfants.

## **METTRE A JOUR LE FIRMWARE DU VOLANT**

Le firmware inclus dans la base du volant peut être mis à jour (ce qui signifie qu'il peut être mis à jour par des versions plus récentes comportant des améliorations produits).

Pour afficher la version de firmware de votre volant et le mettre à jour si nécessaire : sur PC, allez sur <http://support.thrustmaster.com>, cliquez sur **Volants / T300 RS** puis **Firmware** et suivez les instructions et la procédure de téléchargement et d'installation.

#### **Remarque importante :**

**Pour fonctionner sur PC, le sélecteur USB (5) de la base du volant doit toujours être en position PS3™.**

## INSTALLATION DE LA ROUE SUR SA BASE

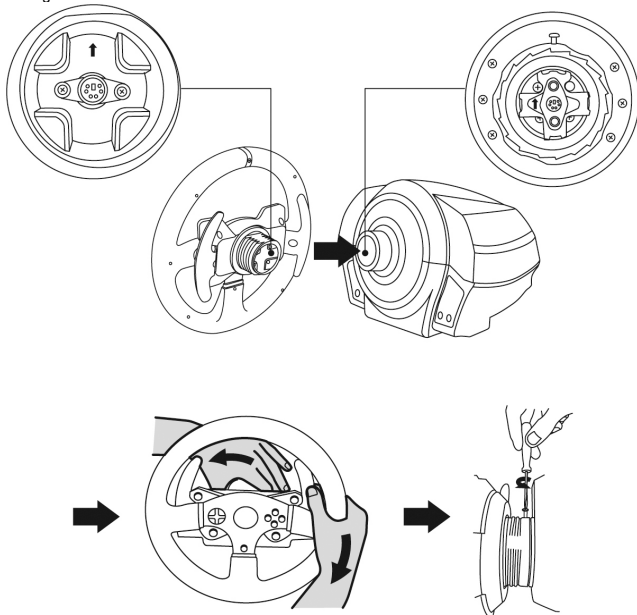
Alignez la position des connecteurs en vous aidant des flèches :

**Connecteur de la base (1):** Flèche vers le haut

**Connecteur de la roue (2):** Flèche vers le haut

Une fois les connecteurs mis en place, il vous suffit de tourner la bague du Thrustmaster Quick Release (12) dans le sens inverse des aiguilles d'une montre tout en maintenant la roue (2) fixe.

Puis serrez fortement (et au maximum) la bague en la maintenant fixe et en tournant le volant dans le sens des aiguilles d'une montre.



Lorsque la roue est installée, tournez-la de 180° (vu de face, le Logo GT doit être à l'envers) afin d'accéder à la petite vis de fixation située sur la bague du Thrustmaster Quick Release (12). A l'aide d'un gros tournevis cruciforme, vissez sans forcer la petite vis de fixation dans le sens des aiguilles d'une montre.



Lorsque vous revissez la petite vis de fixation à l'aide d'un tournevis cruciforme,  
**NE FORCEZ PAS.**

Arrêtez de visser dès que vous sentez une résistance.

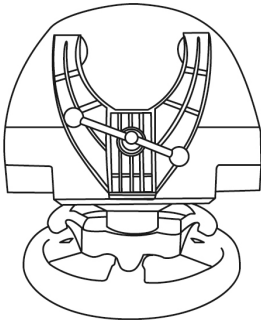


## FIXATION DU VOLANT

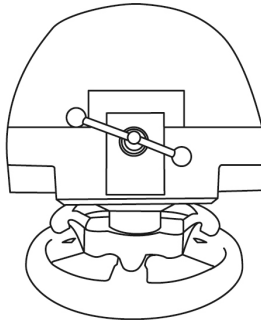
### Fixer le volant sur une table ou un bureau

1. Placez le volant sur une table ou autre surface plane.
2. Placez la vis de serrage (11) dans le système de fixation (10), puis vissez l'ensemble (dans le sens inverse des aiguilles d'une montre) dans le gros pas de vis (9) situé sous le volant, jusqu'à ce que ce dernier soit parfaitement stable.

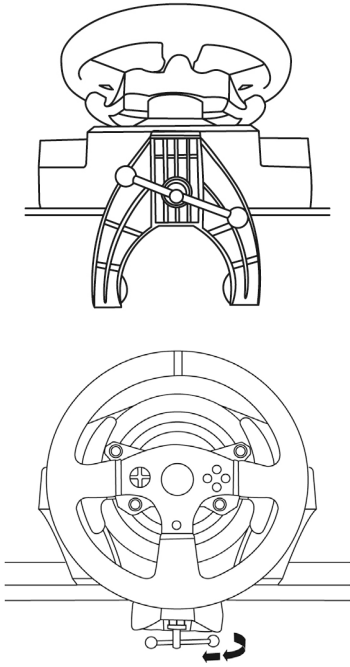
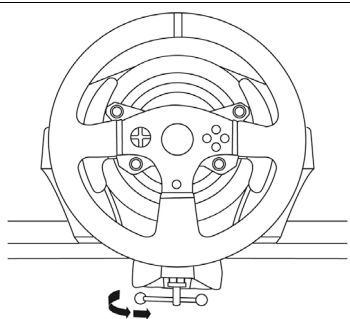
**TOUJOURS**



**JAMAIS**



**ATTENTION : Ne jamais visser la vis de serrage seule sans le système de fixation !  
(au risque de détériorer le volant).**

MONTAGE / DEMONTAGE	SENS
<p><b><u>Pour serrer :</u></b></p> <p><i>Vissez dans le sens inverse des aiguilles d'une montre</i></p>	
<p><b><u>Pour desserrer :</u></b></p> <p><i>Dévissez dans le sens des aiguilles d'une montre</i></p>	

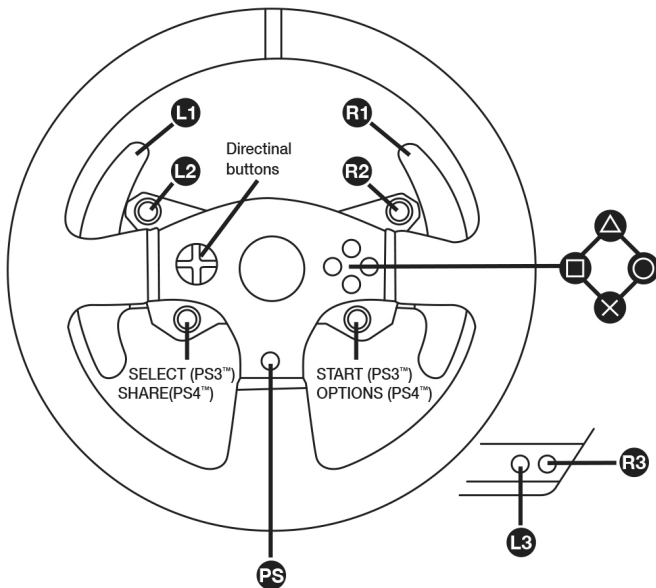
## Fixer la base du volant sur un cockpit

1. Placez la base du volant sur la tablette du cockpit
2. Vissez 2 vis M6 (non fournies) dans la tablette du cockpit et dans les 2 petits pas de vis situés sous le volant.

Important : La longueur de ces 2 vis M6 ne doit pas dépasser l'épaisseur de votre support +12 mm pour ne pas endommager les composants internes à la base.

3. Si nécessaire, vissez en plus le système de fixation classique (dans le gros pas de vis).

## MAPPING PLAYSTATION®3 ET PLAYSTATION®4



## INSTALLATION SUR PLAYSTATION®3 OU PLAYSTATION®4

1. Reliez le pédalier à son connecteur (17) situé à l'arrière de la base du volant.
2. Reliez le câble d'alimentation à son connecteur (14) situé à l'arrière de la base du volant.
3. Reliez le câble d'alimentation sur une prise de courant ayant le même voltage.



**Pour plus d'informations sur ce point, reportez-vous au chapitre RELIER LE VOLANT AU SECTEUR (p.3 de ce manuel).**

4. Positionnez le sélecteur USB (5) de la base du volant en position PS3™ ou PS4™ en fonction du système ou du jeu utilisé.
5. Branchez le connecteur USB (15) du volant sur l'un des ports USB du système.
6. Une fois votre système allumé, votre volant s'autocalibre de manière automatique.
7. Sur PlayStation®4 (lorsque le sélecteur USB est en position PS4™), appuyez sur le bouton PS (8) du volant, puis connectez-vous à votre compte Sony Entertainment Network pour que votre volant soit fonctionnel.

***Vous êtes maintenant prêt à jouer !***

### Remarques importantes :

- Le sélecteur USB (5) de la base du volant du toujours être positionné dans la bonne position (PS3™ ou PS4™) avant de brancher l'USB du volant au système.

Avant changer de position, débranchez le câble USB, puis changez la position du sélecteur avant de rebrancher le câble USB au système.

- Sur PlayStation®3, le sélecteur USB (5) doit toujours être en position PS3™ :

\* Le volant est reconnu dans la plupart des jeux comme un volant T500RS.

\* Le volant est fonctionnel dans les jeux compatibles et dans les menus du système.

\* La fonction PS est fonctionnelle sur le volant.

- Sur PlayStation®4, avec le sélecteur USB (5) en position PS3™ :

\* Le volant est reconnu dans la plupart des jeux comme un volant T500RS.

\* Le volant est fonctionnel dans les jeux compatibles mais pas dans les menus du système.

\* Les fonctions SHARE et PS ne sont pas fonctionnelles sur le volant.

- Sur PlayStation®4, avec le sélecteur USB (5) en position PS4™ :

\* N'oubliez pas d'appuyer sur bouton PS (8) du volant pour que celui-ci soit fonctionnel.

\* Le volant est reconnu dans la plupart des jeux comme un volant T300 RS.

\* Le volant est fonctionnel dans les jeux compatibles et dans les menus du système.

\* Les fonctions SHARE et PS sont fonctionnelles sur le volant.

- La liste des jeux PlayStation®3 et PlayStation®4 compatibles avec le T300 RS (ainsi que la position nécessaire du sélecteur USB en fonction du jeu utilisé) est disponible ici :

<http://support.thrustmaster.com> (dans la rubrique Volants / T300 RS / Paramètres de jeux).

*Cette liste est régulièrement mise à jour.*

## INSTALLATION SUR PC\*

\*Compatibilité PC non testée ni endossée par Sony Interactive Entertainment Europe

Pour plus d'informations, allez sur <http://support.thrustmaster.com>.

### CALIBRAGE AUTOMATIQUE DU VOLANT ET DES PEDALES

La roue du volant s'autocalibre de manière automatique une fois le volant relié au secteur et le connecteur USB connecté.

Cette opération entraîne des mouvements rapides du volant de gauche à droite sur 1080° avant de s'immobiliser au centre.



#### **ATTENTION :**

**Lors des phases d'autocalibration de la roue du volant, ne jamais toucher au volant (au risque de fausser la calibration ou de se blesser).**

### CALIBRAGE AUTOMATIQUE DES PEDALES

Ne jamais débrancher ou brancher le pédalier de la base du volant lorsque celui-ci est connecté au système ni en cours de jeu (pour ne pas fausser la calibration)

= le pédalier doit toujours être branché avant de relier le volant au système.

Une fois le volant autocalibré et le jeu lancé, les pédales se calibrent automatiquement après quelques pressions.



#### **ATTENTION :**

**Lors des phases d'autocalibration de la roue du volant et lorsque votre jeu se lance, ne jamais appuyer sur les pédales (au risque de fausser la calibration)**

#### **Si votre volant et vos pédales ne fonctionnent pas correctement ou semblent mal calibrés :**

Eteignez votre système, déconnectez entièrement votre volant, reconnectez tous les câbles (avec le câble d'alimentation secteur et le pédalier), redémarrez et relancez votre jeu.

### CAPTEUR DE TEMPERATURE INTERNE

Le système de refroidissement du volant est composé d'un radiateur et d'un ventilateur.

- Un thermostat calcule la température interne du volant.
- En phase de jeu :
  - Le ventilateur de refroidissement se met en marche dès que le volant atteint un certain niveau de température (= après quelques minutes de jeu en fonction de la puissance des effets de retour de force utilisés).
  - La puissance des effets de retour de force diminue automatiquement dès que le volant atteint un niveau de température beaucoup plus élevé (afin de protéger le moteur). La puissance de ces effets remonte automatiquement dès que la température redescend légèrement.
- Après la phase de jeu, en raison de l'inertie thermique du moteur, le ventilateur de refroidissement reste en marche jusqu'à ce que la température redescende au niveau de mise en marche, le tout afin de faciliter le refroidissement et de protéger le moteur (= cela peut prendre de 5 à 45 mn en fonction du niveau de température atteint pendant la phase de jeu).

## BOUTON MODE ET SON VOYANT LUMINEUX (6)

### Bouton MODE pour le pédalier

Vous pouvez inverser électroniquement la pédale d'accélérateur et d'embrayage.

Pour ce faire, appuyez simplement sur le bouton MODE (6) pendant 2 secondes.

L'inversion ou non des pédales est alors instantanément enregistrée dans la mémoire interne du volant.

PEDALE D'ACCELERATEUR ET D'EMBRAYAGE	Couleur du voyant lumineux MODE (6)
NORMALE	ROUGE
INVERSEE	VERT

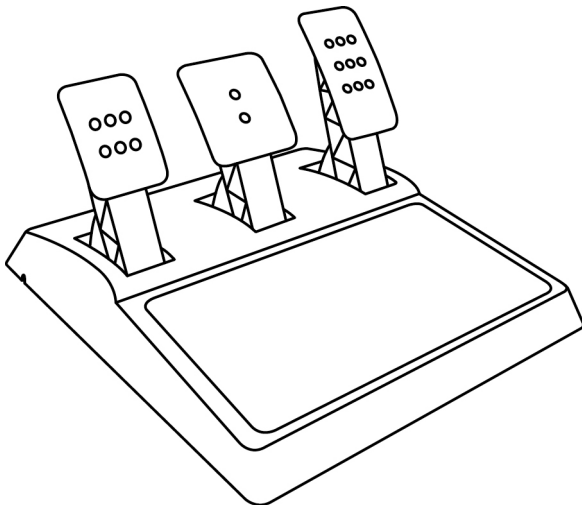
### Autres astuces pour le bouton MODE

Pour profiter d'autres astuces concernant le bouton MODE et son voyant lumineux, allez sur <http://support.thrustmaster.com>. Cliquez sur **Volants / T300 RS** puis **Manuel utilisateur** ou **FAQ**.

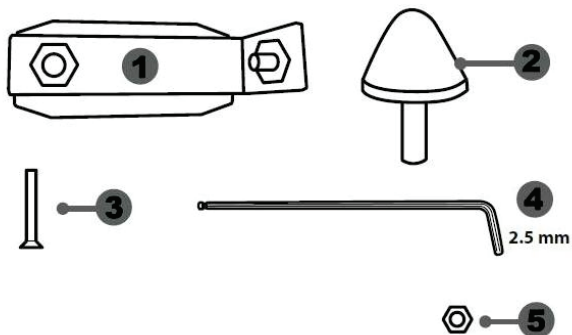
### AIDES & FAQ DIVERSES (non notifiées dans ce manuel)

Allez sur <http://support.thrustmaster.com>. Dans la section **Mise à jour et téléchargement**, cliquez sur **Volants / T300 RS** puis **Manuel utilisateur** ou **FAQ**.

# PEDALIER **T3PA – GT EDITION**



## CARACTÉRISTIQUES TECHNIQUES



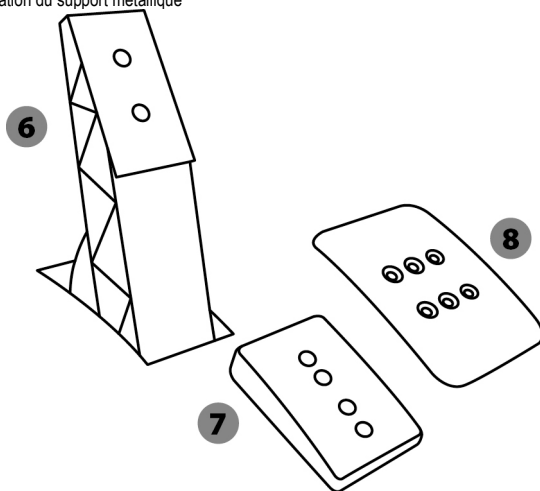
1 Support métallique pour la butée conique  
(non installée par défaut)

2 Butée conique

3 Vis de fixation du support métallique

4 Clé Allen 2,5 mm fournie

5 Ecrou de réglage de position de la butée conique



6 Bras de pédale

7 Support de tête plastique

8 Tête métallique de pédale



## AVERTISSEMENT

Avant d'utiliser ce produit, lisez attentivement cette documentation et conservez-la pour pouvoir la consulter ultérieurement.



Pour des raisons de sécurité, ne jouez pas pieds nus ou en chaussettes lorsque vous utilisez le pédalier.

THRUSTMASTER® DECLINE TOUTE RESPONSABILITE EN CAS DE BLESSURE SUITE A UNE UTILISATION DU PEDALIER SANS CHAUSSURES.



**Avertissement – Risque de pincement au niveau du pédalier lors des phases de jeu**

- \* Laissez le pédalier hors de portée des enfants.
- \* Lors des phases de jeu, ne placez jamais vos doigts sur ou à proximité des côtés des pédales.
- \* Lors des phases de jeu, ne placez jamais vos doigts sur ou à proximité de la base arrière des pédales.
- \* Lors des phases de jeu, ne placez jamais vos doigts sur ou à proximité de la base avant des pédales.

**JAMAIS**



**JAMAIS**



**JAMAIS**





### **IMPORTANT :**

- Ne branchez ou débranchez jamais le pédalier de la base du volant lorsque celui-ci est connecté au système PS3™ ou PS4™, ou en cours de jeu, pour ne pas fausser la calibration.
- = Branchez toujours le pédalier avant de relier le volant au système PS3™ ou PS4™.
- Une fois le volant autocalibré et le jeu lancé, les pédales se calibrent automatiquement après quelques pressions.
- Lors des phases d'autocalibration de la roue du volant et lorsque votre jeu se lance, n'appuyez jamais sur les pédales, au risque de fausser la calibration.
- Si vos pédales ne fonctionnent pas correctement ou semblent mal calibrées, éteignez votre système, déconnectez entièrement votre volant, reconnectez tous les câbles (y compris le câble d'alimentation secteur et le câble du pédalier), redémarrez le système et relancez votre jeu.

## FIXATION DU PEDALIER SUR UN COCKPIT

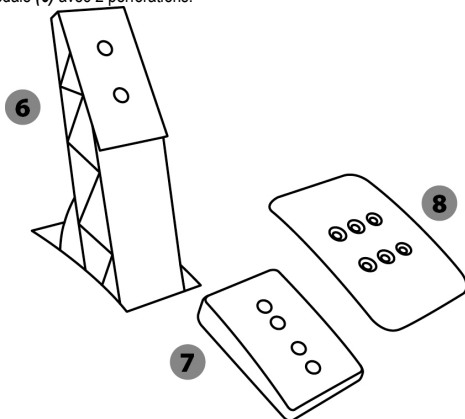
- Fixez le pédalier via les petits pas de vis situés sous ce dernier.
- Vissez 2 vis M6 (non fournies) dans la tablette du cockpit et dans les 2 petits pas de vis situés sous le pédalier.

**Important :** La longueur de ces 2 vis M6 ne doit pas dépasser l'épaisseur de votre support +10 mm pour ne pas endommager les composants internes du pédalier.

## REGLAGES DU PEDALIER

Chacune des 3 pédales comprend :

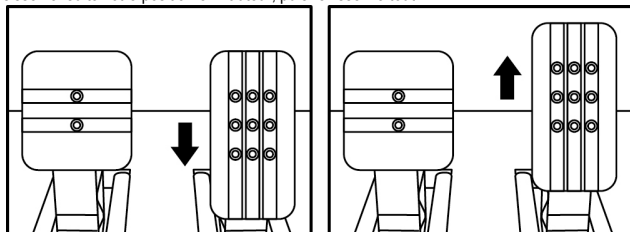
- Une tête métallique (8) avec plusieurs perforations (9 pour l'accélérateur – 2 pour le frein – 6 pour l'embrayage).
- Un support de tête plastique (7) (placé entre la tête et le bras) avec 4 perforations.
- Un bras de pédale (6) avec 2 perforations.



**ATTENTION :** Pour éviter tout problème de calibration, débranchez toujours le câble USB de votre volant avant d'effectuer des réglages sur votre pédalier.

### Ajuster la HAUTEUR de la pédale d'accélérateur

- A l'aide de la clé Allen 2,5 mm fournie (4), dévissez les 2 vis maintenant la tête métallique (8) et son support (7).
- Choisissez ensuite votre position en hauteur, puis revissez le tout.



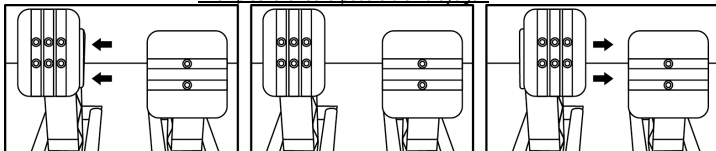
Position basse (par défaut)

Position haute

## Ajuster l'ECARTEMENT

- A l'aide de la clé Allen 2,5 mm fournie (4), dévissez les 2 vis maintenant la tête métallique (8) et son support (7).
- Choisissez ensuite votre position (à gauche, au centre ou à droite), puis revissez le tout.

Exemples ici avec la pédale d'embrayage :



Position à gauche

Position au centre (par défaut)

Position à droite

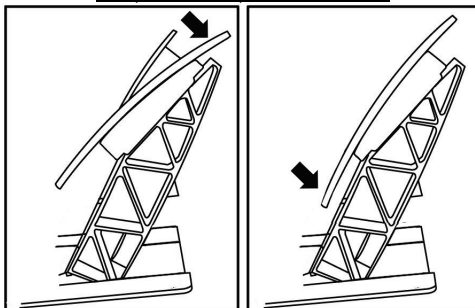
Nombre de positions en écartement possibles par pédale :

- 3 pour la pédale d'accélérateur
- 3 pour la pédale d'embrayage

## Ajuster l'INCLINAISON des pédales

- A l'aide de la clé Allen 2,5 mm fournie (4), dévissez les 2 vis maintenant la tête métallique (8) et son support (7).
- Retournez ensuite le support de tête plastique (7) de 180°, puis revissez le tout.

Exemples ici avec la pédale d'accélérateur :



Position moins inclinée

Position plus inclinée (par défaut)

Nombre de positions d'inclinaison possibles par pédale :

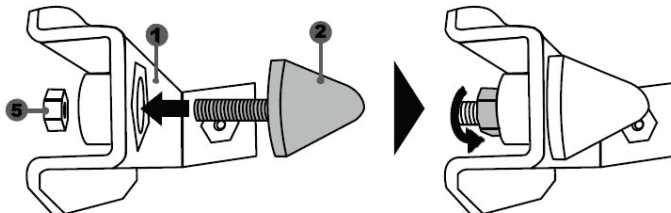
- 2 pour la pédale d'accélérateur
- 2 pour la pédale de frein
- 2 pour la pédale d'embrayage

## Installer la butée conique (MOD « CONICAL RUBBER BRAKE »)

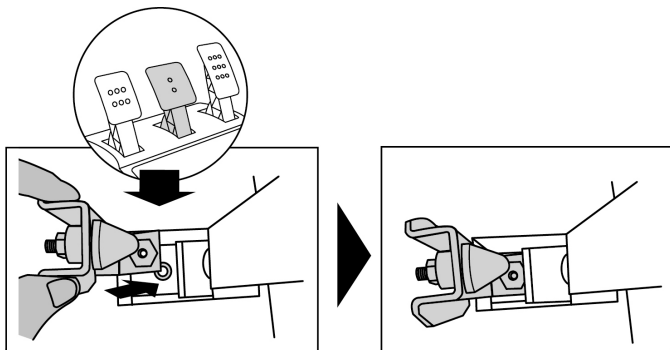
Ce MOD n'est pas obligatoire et n'est pas installé par défaut. Cela signifie que la pédale de frein fonctionne parfaitement même si le MOD n'est pas installé.

Ce MOD permet d'apporter un feeling et une résistance différents lors des freinages. Il appartiendra à chacun de l'installer ou non en fonction de ses préférences.

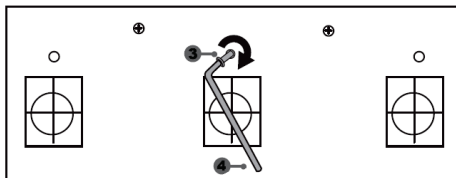
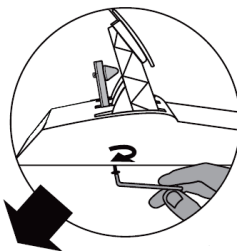
- Vissez la butée conique (2) sur son support métallique (1).
- Vissez l'écrou de réglage de position (5) à l'arrière (sur le pas de vis de la butée conique).



- Positionnez l'ensemble à l'arrière du bras de la pédale de frein.



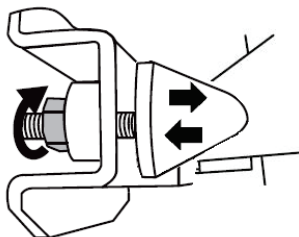
- A l'aide de la clé Allen 2,5 mm fournie (4), fixez l'ensemble en utilisant la vis de fixation (3) et le petit pas de vis central situé sous le pédalier.



**Le MOD « CONICAL RUBBER BRAKE » est désormais installé !**

### Ajuster la COURSE de débattement et la FORCE de résistance de la pédale de frein

En dévissant légèrement l'écrou (5), vous pouvez également durcir davantage la résistance de la pédale de frein en rapprochant la butée conique (2) de l'arrière du bras de la pédale (utilisez si nécessaire une clé de 14 ou une pince pour resserrer l'écrou et maintenir la position souhaitée). Plus la butée conique sera proche de l'arrière du bras de la pédale, plus la résistance sera élevée.



**Remarque :** Lorsque la butée conique est très proche de l'arrière du bras de la pédale de frein, vous pouvez avoir des difficultés à atteindre la valeur maximale de calibration. Dans ce cas :

\* Appuyez –lentement– très fortement sur la pédale de frein pour atteindre la valeur maximale (si nécessaire, mettez-vous debout un court instant sur la pédale), puis relâchez la pression.

\* Ou éloignez légèrement la butée conique de l'arrière du bras.

## INFORMATIONS RELATIVES A LA GARANTIE AUX CONSOMMATEURS

Dans le monde entier, Guillemot Corporation S.A., ayant son siège social Place du Granier, B.P. 97143, 35571 Chantepie, France (ci-après « Guillemot ») garantit au consommateur que le présent produit Thrustmaster est exempt de défaut matériel et de vice de fabrication, et ce, pour une période de garantie qui correspond au délai pour intenter une action en conformité de ce produit. Dans les pays de l'Union Européenne, ce délai est de deux (2) ans à compter de la délivrance du produit Thrustmaster. Dans les autres pays, la durée de la période de garantie correspond au délai pour intenter une action en conformité du produit Thrustmaster selon la législation en vigueur dans le pays où le consommateur avait son domicile lors de l'achat du produit Thrustmaster (si une telle action en conformité n'existe pas dans ce pays alors la période de garantie est de un (1) an à compter de la date d'achat d'origine du produit Thrustmaster).

Si, au cours de la période de garantie, le produit semble défectueux, contactez immédiatement le Support Technique qui vous indiquera la procédure à suivre. Si le défaut est confirmé, le produit devra être retourné à son lieu d'achat (ou tout autre lieu indiqué par le Support Technique).

Dans le cadre de la garantie, le consommateur bénéficiera, au choix du Support Technique, d'un remplacement ou d'une remise en état de marche du produit défectueux. Si, pendant la période de garantie, le produit Thrustmaster fait l'objet d'une telle remise en état, toute période d'immobilisation d'au moins sept jours vient s'ajouter à la durée de la garantie qui restait à courir (cette période court à compter de la demande d'intervention du consommateur ou de la mise à disposition pour remise en état du produit en cause, si cette mise à disposition est postérieure à la demande d'intervention). Lorsque la loi applicable l'autorise, toute responsabilité de Guillemot et ses filiales (y compris pour les dommages indirects) se limite à la remise en état de marche ou au remplacement du produit Thrustmaster. Lorsque la loi applicable l'autorise, Guillemot exclut toutes garanties de qualité marchande ou d'adaptation à un usage particulier.

Cette garantie ne s'appliquera pas : (1) si le produit a été modifié, ouvert, altéré, ou a subi des dommages résultant d'une utilisation inappropriée ou abusive, d'une négligence, d'un accident, de l'usure normale, ou de toute autre cause non liée à un défaut matériel ou à un vice de fabrication (y compris, mais non limitativement, une combinaison du produit Thrustmaster avec tout élément inadapté, notamment alimentations électriques, batteries, chargeurs, ou tous autres éléments non-fournis par Guillemot pour ce produit) ; (2) si le produit a été utilisé en dehors du cadre privé, à des fins professionnelles ou commerciales (salles de jeu, formations, compétitions, par exemple). (3) en cas de non respect des instructions du Support Technique ; (4) aux logiciels, lesdits logiciels faisant l'objet d'une garantie spécifique ; (5) aux consommables (éléments à remplacer pendant la durée de vie du produit : piles, coussinets de casque audio, par exemple) ; (6) aux accessoires (câbles, étuis, housses, sacs, dragonnes, par exemple) ; (7) si le produit a été vendu aux enchères publiques.

Cette garantie n'est pas transférable.

Les droits légaux du consommateur au titre de la législation applicable dans son pays à la vente de biens de consommation ne sont pas affectés par la présente garantie.

Par exemple, en France, indépendamment de la présente garantie, le vendeur reste tenu de la garantie légale de conformité mentionnée aux articles L. 217-4 à L.217-12 du code de la consommation et de celle relative aux défauts (vices cachés) de la chose vendue, dans les conditions prévues aux articles 1641 à 1648 et 2232 du code civil. La loi applicable (c'est-à-dire la loi française) impose de reproduire les extraits de la loi française suivants :

Article L. 217-4 du code de la consommation :

*Le vendeur livre un bien conforme au contrat et répond des défauts de conformité existant lors de la délivrance.*

*Il répond également des défauts de conformité résultant de l'emballage, des instructions de montage ou de l'installation lorsque celle-ci a été mise à sa charge par le contrat ou a été réalisée sous sa responsabilité.*

Article L. 217-5 du code de la consommation :

*Le bien est conforme au contrat :*

*1° S'il est propre à l'usage habituellement attendu d'un bien semblable et, le cas échéant :*

*- s'il correspond à la description donnée par le vendeur et possède les qualités que celui-ci a présentées à l'acheteur sous forme d'échantillon ou de modèle ;*

*- s'il présente les qualités qu'un acheteur peut légitimement attendre eu égard aux déclarations publiques faites par le vendeur, par le producteur ou par son représentant, notamment dans la publicité ou l'étiquetage ;*

*2° Ou s'il présente les caractéristiques définies d'un commun accord par les parties ou est propre à tout usage spécial recherché par l'acheteur, porté à la connaissance du vendeur et que ce dernier a accepté.*

Article L. 217-12 du code de la consommation :

*L'action résultant du défaut de conformité se prescrit par deux ans à compter de la délivrance du bien.*

Article L. 217-16 du code de la consommation :

*Lorsque l'acheteur demande au vendeur, pendant le cours de la garantie commerciale qui lui a été consentie lors de l'acquisition ou de la réparation d'un bien meuble, une remise en état couverte par la garantie, toute période d'immobilisation d'au moins sept jours vient s'ajouter à la durée de la garantie qui restait à courir.*

*Cette période court à compter de la demande d'intervention de l'acheteur ou de la mise à disposition pour réparation du bien en cause, si cette mise à disposition est postérieure à la demande d'intervention.*

Article L. 1641 du code civil:

*Le vendeur est tenu de la garantie à raison des défauts cachés de la chose vendue qui la rendent impropre à l'usage auquel on la destine, ou qui diminuent tellement cet usage que l'acheteur ne l'aurait pas acquise, ou n'en aurait donné qu'un moindre prix, s'il les avait connus.*

Article L. 1648 alinéa 1<sup>er</sup> du code civil:

*L'action résultant des vices rédhibitoires doit être intentée par l'acquéreur dans un délai de deux ans à compter de la découverte du vice.*

#### **Stipulations additionnelles à la garantie**

Pendant la période de garantie, Guillemot ne fournira, en principe, pas de pièce détachée car le Support Technique est seul habilité tant à ouvrir qu'à remettre en état tout produit Thrustmaster (à l'exception des remises en état que le Support Technique demanderait, par instructions écrites, au consommateur d'effectuer -par exemple en raison de la simplicité et de l'absence de confidentialité du processus de remise en état-, en lui fournissant, le cas échéant, la ou les pièces détachées nécessaires).

Compte tenu de ses cycles d'innovation et pour préserver ses savoir-faire et secrets, Guillemot ne fournira, en principe, ni notice de remise en état, ni pièce détachée pour tout produit Thrustmaster dont la période de garantie est expirée.

Aux États-Unis d'Amérique et au Canada, la présente garantie est limitée au mécanisme interne et au boîtier externe du produit. En aucun cas, Guillemot ou ses sociétés affiliées ne sauraient être tenues responsables envers qui que ce soit de tous dommages indirects ou dommages accessoires résultant du non respect des garanties expresses ou implicites. Certains États/Provinces n'autorisent pas la limitation sur la durée d'une garantie implicite, ou l'exclusion ou la limitation de responsabilité pour les dommages indirects ou accessoires, de sorte que les limitations ou exclusions ci-dessus peuvent ne pas vous être applicables. Cette garantie vous confère des droits spécifiques ; vous pouvez également bénéficier d'autres droits qui peuvent différer d'un État/Province à l'autre.

#### **Responsabilité**

Lorsque la loi applicable l'autorise, Guillemot Corporation S.A. (ci-après « Guillemot ») et ses filiales excluent toute responsabilité pour tous dommages causés par un ou plusieurs des faits suivants: (1) le produit a été modifié, ouvert, altéré, (2) l'irrespect des instructions de montage, (3) l'utilisation inappropriée ou abusive, la négligence, l'accident (un choc, par exemple), (4) l'usure normale du produit, (5) l'utilisation du produit en dehors du cadre privé, à des fins professionnelles ou commerciales (salles de jeu, formations, compétitions, par exemple). Lorsque la loi applicable l'autorise, Guillemot et ses filiales excluent toute responsabilité pour tout dommage dont la cause n'est pas liée à un défaut matériel ou à un vice de fabrication du produit (y compris, mais non limitativement, tout dommage causé directement ou indirectement par tout logiciel, ou par une combinaison du produit Thrustmaster avec tout élément inadapté, notamment alimentations électriques, batteries, chargeurs, ou tous autres éléments non-fournis par Guillemot pour ce produit).

**THRUSTMASTER®**

**SUPPORT TECHNIQUE**

<http://support.thrustmaster.com>





## COPYRIGHT

© 2017 Guillemot Corporation S.A. Tous droits réservés. Thrustmaster® est une marque déposée de Guillemot Corporation S.A.

Licence accordée pour la vente en Europe, Afrique, Moyen-Orient, Inde, Russie et Océanie. A utiliser exclusivement avec PlayStation®3 et PlayStation®4.

Toutes les autres marques sont la propriété de leurs propriétaires respectifs. Illustrations non contractuelles. Le contenu, la conception et les spécifications sont susceptibles de changer sans préavis et de varier selon les pays. Fabriqué en Chine.

Produit et distribué par Guillemot Corporation S.A.

## RECOMMANDATION RELATIVE A LA PROTECTION DE L'ENVIRONNEMENT



\* Dans l'Union Européenne : En fin de vie, ce produit ne doit pas être éliminé avec les déchets ménagers normaux mais déposé à un point de collecte des déchets d'équipements électriques et électroniques en vue de son recyclage.

Ceci est confirmé par le symbole figurant sur le produit, le manuel utilisateur ou l'emballage.

En fonction de leurs caractéristiques, les matériaux peuvent être recyclés. Par le recyclage et par les autres formes de valorisation des déchets d'équipements électriques et électroniques, vous contribuez de manière significative à la protection de l'environnement. Veuillez consulter les autorités locales qui vous indiqueront le point de collecte concerné.

Dans les autres pays : Veuillez vous reporter aux législations locales relatives au recyclage des équipements électriques et électroniques.

Informations à conserver. Les couleurs et décorations peuvent varier.

Il est recommandé de retirer les attaches en plastique et les adhésifs avant d'utiliser le produit.

[www.thrustmaster.com](http://www.thrustmaster.com)

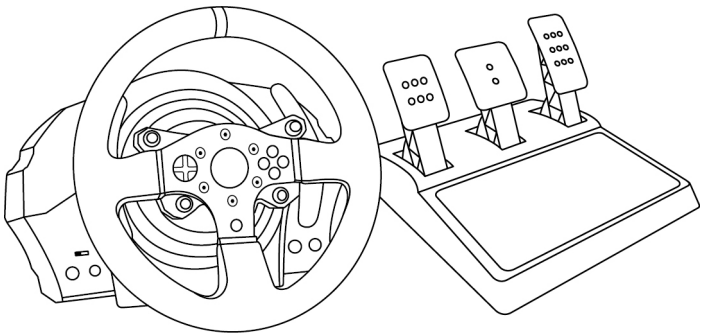
*\*Applicable à l'UE et la Turquie uniquement*



# T300RS

## GT Edition

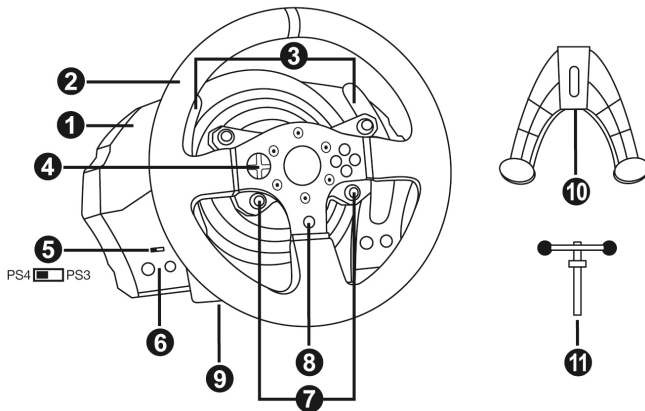
### Benutzerhandbuch



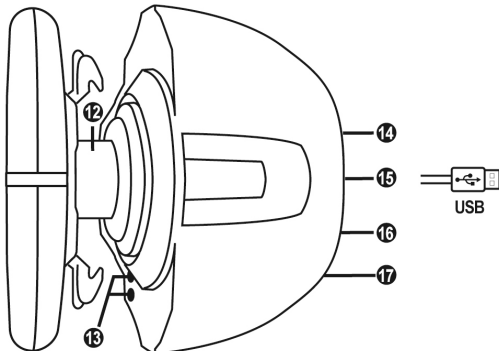
#### **ACHTUNG!**

Um sicher zu stellen, daß Ihr T300 Rennlenkrad mit Spielen korrekt funktioniert, ist es eventuell erforderlich die automatischen Aktualisierungen für das Spiel zu installieren.  
(Verfügbar, wenn Ihr System mit dem Internet verbunden ist.)

# TECHNISCHE SPEZIFIKATIONEN



- |   |  |
|---|--|
| 1 T300 RS Basis                                 | 7 SELECT/START Buttons auf PS3™ und SHARE/OPTIONS auf PS4™             |
| 2 T300 GT Lenkkranz                             | 8 PS-Button  |
| 3 2 sequenzielle Schaltwippen (Hoch & Runter)   | 9 Großes Schraubgewinde (für Befestigungssystem und Feststellschraube) |
| 4 Multidirektionales D-Pad                      | 10 Befestigungssystem  |
| 5 Eingebauter USB Schiebeschalter für PS4™/PS3™ | 11 Metallene Feststellschraube   |
| 6 MODE Button + Rot/Grün Leuchtanzeige          |  |



- |  |   |
|--|---|
| 12 Thrustmaster Quick Release  | 15 USB-Kabel und Stecker des Rennlenkrads                   |
| 13 L3/R3 Buttons   | 16 Getriebe-Anschluss<br>(Getriebe wird separat erhältlich) |
| 14 Stromanschluss (Typ A oder B)<br>(Von Land zu Land unterschiedlich) | 17 Pedalset-Anschluss                                       |

# ANSCHLUSS DES RENNLENKRADS AN DAS STROMNETZ: BITTE SORGFÄLTIG LESEN!

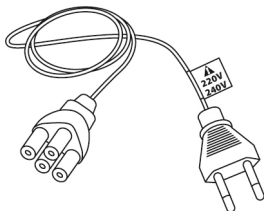
Der Stromanschluss ihres Rennlenkrads variiert je nach Land in dem Sie ihr Gerät erworben haben. Der Stromanschluss kann folgendermaßen sein:

## Intern mit:

\* einer Netzstromanschluss-Buchse in der Lenkradbasis vom Typ A

\* und einem 220-240V Stromkabel

= ausschließlich nur mit 220-240V Netzspannung zu verwenden.



**Das 220-240V Kabel niemals an eine 100-130V Steckdose anschließen!**

**Dieses Kabel niemals an einen Stromadapter anschließen!!!**

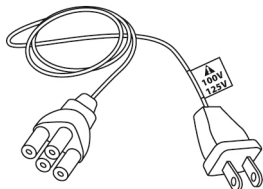


## Intern mit:

\* einer Netzstromanschluss-Buchse in der Lenkradbasis vom Typ A

\* und einem 100-125V Stromkabel

= ausschließlich nur mit 100-125V Netzspannung zu verwenden.



**Das 100-125V Kabel niemals an eine 220-240V Steckdose anschließen!**

**Dieses Kabel niemals an einen Stromadapter anschließen!!!**



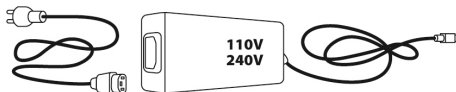
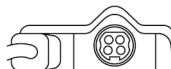
**WICHTIG: Falls Sie die Stromstärke der Gegend, in der Sie das Rennlenkrad benutzen wollen, nicht kennen, fragen Sie bitte bei Ihrem Stromanbieter nach.**

## Extern mit:

\* einem externen Netzteil mit einem Stecker des Typs B.

\* einem Stromkabel.

= Passend für alle Stromstärken von 110-240V.



## WARNHINWEISE

Bevor Sie dieses Produkt benutzen, lesen Sie bitte diese Dokumentation sorgfältig durch und bewahren Sie diese sicher auf, falls Sie später etwas nachlesen müssen.



### **Warnung – elektrischer Schlag**

- \* Lagern Sie das Produkt an einem trockenen Ort und setzen Sie es weder Staub noch direktem Sonnenlicht aus.
- \* Verdrehen Sie keine Kabel oder ziehen direkt an deren Steckern.
- \* Schütten Sie keine Flüssigkeiten auf das Produkt oder dessen Anschlüsse.
- \* Schließen Sie das Produkt nicht kurz.
- \* Zerlegen Sie das Produkt niemals, werfen es ins Feuer oder setzen es hohen Temperaturen aus.
- \* Nutzen Sie kein anderes Stromkabel als das mitgelieferte.
- \* Nutzen Sie das Stromkabel nicht, wenn dieses oder dessen Stecker brüchig oder beschädigt ist.
- \* Stellen Sie sicher, daß das Netzkabel richtig in die Steckdose gesteckt wurde und korrekt mit dem rückwärtigen Anschluss an der Rennlenkradbasis verbunden ist.
- \* Öffnen Sie niemals das Rennlenkrad. Es befinden sich keine vom Benutzer austauschbare Teile im Innern. Jedwede Reparaturen müssen von einer vom Hersteller angegebenen Werkstatt oder einem qualifizierten Techniker ausgeführt werden.
- \* Nutzen Sie ausschließlich vom Hersteller empfohlene Befestigungssysteme/Accessoires.
- \* Falls das Lenkrad sich ungewöhnlich verhält (seltsame Geräusche, Hitze oder Gerüche abgibt), stoppen Sie sofort dessen Benutzung, trennen das Stromkabel vom Netz und ziehen alle anderen Kabel ab.
- \* Sollten Sie das Lenkrad für eine längere Zeit nicht benutzen, trennen Sie diesen vom Stromnetz.



### **Lüftungsschlitze**

Achten Sie darauf keine der Lüftungsschlitze an der Lenkradbasis zu verdecken. Für eine optimale Belüftung beachten Sie bitte die folgenden Hinweise:

- \* Stellen Sie die Basis mindestens 10 cm entfernt von Wänden auf.
- \* Stellen Sie die Basis nicht in engen Zwischenräumen auf.
- \* Decken Sie die Basis niemals ab.
- \* Vermeiden Sie auf jeden Fall Staubbildung an den Lüftungsschlitzen.



**Benutzen Sie aus Sicherheitsgründen das Pedalset niemals barfuß oder in Socken.  
THRUSTMASTER® ÜBERNIMMT KEINERLEI HAFTUNG BEI VERLETZUNGEN DURCH  
EINSATZ DES PEDALSETS OHNE SCHUHE.**



### **Warnung - Verletzungen durch Force Feedback und wiederholte Bewegungen**

Spielen mit einem Force-Feedback-Lenkrad kann Muskel- oder Gelenkschmerzen verursachen. Um Probleme zu vermeiden:

- \* Vermeiden Sie längere Spielzeiten.
- \* Pausieren Sie für 10 bis 15 Minuten nach einer Stunde Spiel.
- \* Wenn Sie irgendeine Müdigkeit oder Schmerzen in den Händen, Handgelenken, Armen, Beinen oder Füßen fühlen, unterbrechen Sie das Spiel und ruhen für ein paar Stunden, bevor Sie wieder zu spielen beginnen.



**Achtung – Verletzungen durch Force Feedback und wiederholte Bewegungen  
(Fortsetzung)**

- \* Wenn Sie wieder zu spielen beginnen und die oben beschriebenen Symptome oder Schmerzen weiterbestehen, unterbrechen Sie das Spiel und konsultieren Sie Ihren Arzt.
- \* Außerhalb der Reichweite von Kindern aufbewahren.
- \* Lassen Sie immer beide Hände während des Spielens am Lenkrad positioniert, ohne dieses völlig loszulassen.
- \* Plazieren Sie Ihre Hände oder Finger während des Spielens niemals unter die Pedale oder in deren Nähe.
- \* Stecken Sie weder Ihren Arm noch Ihre Hand während der Kalibrierung oder im Spiel durch die Speichen des Lenkkranses.
- \* Überprüfen Sie den festen Sitz der Lenkradbasis entsprechend der Anleitungen dieses Handbuchs.



Produkt nur für den Gebrauch von Personen  
über 16 Jahre oder älter

**SCHWERES PRODUKT**



Lassen Sie das Produkt niemals auf sich  
oder andere fallen!

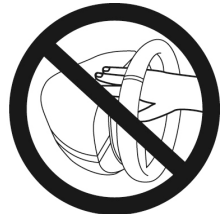
**IMMER**



**NIE**



**NIE**





### **Achtung – Quetschgefahr am Pedalset während des Spielens**

- \* Bewahren Sie das Pedalset außerhalb der Reichweite von Kindern auf.
- \* Bringen Sie während des Spielens niemals Ihre Finger auf oder in die Nähe der Seiten der Pedale.
- \* Bringen Sie während des Spielens niemals Ihre Finger auf oder in die Nähe der Pedalrückseite.
- \* Bringen Sie während des Spielens niemals Ihre Finger auf oder in die Nähe der Pedalvorderseite.



### **Achtung – Quetschgefahr am Pedalset nach dem Spielen**

- \* Bewahren Sie das Pedalset sicher außerhalb der Reichweite von Kindern auf.

## **AKTUALISIEREN DER FIRMWARE IHRES RENNLENKRADS**

Die in Ihrer Rennlenkradbasis enthaltene Firmware kann durch eine produktverbessernde und aktuellere Firmware aktualisiert werden.

Um die aktuelle Version der Firmware Ihres Rennlenkrads anzuzeigen und ob eine Aktualisierung eventuell verfügbar ist, rufen Sie auf Ihrem PC die Website <http://support.thrustmaster.com> auf. Dann klicken Sie auf **Lenkräder / T300 RS**, wählen **Firmware** aus und folgen den Anweisungen zum Download und der Installation.

#### **Wichtiger Hinweis:**

Der USB-Schiebeschalter (5) an der Rennlenkradbasis muß bei einer Nutzung mit dem PC immer auf der PS3™-Position gestellt sein.

## MONTAGE DES RENNLENKRADS AUF DESSEN BASIS

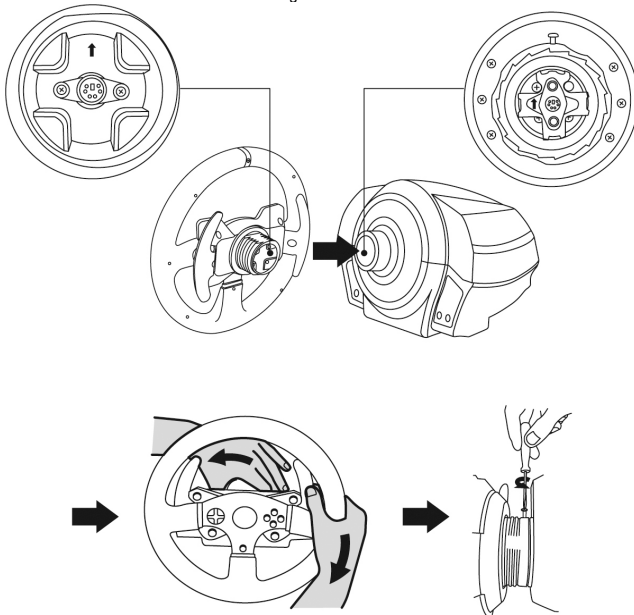
Richten Sie die Positionen der Anschlüsse mittels der Pfeile aus:

**Basisanschluss (1):** Pfeil zeigt nach oben

**Rennlenkradanschluss (2):** Pfeil zeigt nach oben

Sind die Anschlüsse korrekt positioniert, drehen Sie einfach den Thrustmaster Quick Release (12) Ring des Gerätes entgegen dem Uhrzeigersinn, während Sie das Rennlenkrad (2) in Position halten.

Drehen Sie dann den Ring, soweit Sie können. Um dies zu bewerkstelligen, halten Sie den Ring in Position und drehen das Rennlenkrad im Uhrzeigersinn.



Nach dem Montieren Ihres Rennlenkrads drehen Sie diesen um 180° (mit Blick auf das Lenkrad sollte das GT Logo aufrecht stehen), um die kleine Befestigungsschraube am Ring des Thrustmaster Quick Release (12) zu erreichen. Mittels eines großen Kreuzschlitz-Schraubendrehers ziehen Sie die kleine Schraube im Uhrzeigersinn fest. Bitte üben Sie dabei keine exzessive Kraft aus.



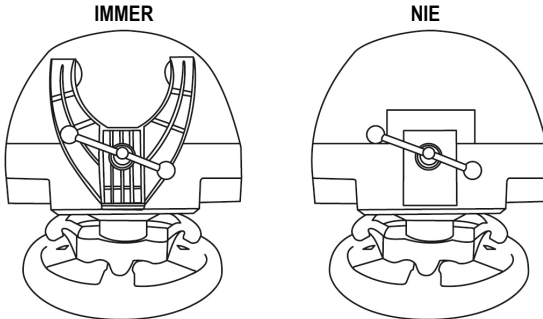
**Wenn Sie einen Philips-Akkuschraubenzieher benutzen, dann versichern Sie bitte, dass Sie nicht mit unnötiger bzw. zu viel Kraft die Befestigungsschraube anziehen!  
Stoppen Sie das Eindrehen der Schraube, wenn Sie einen Widerstand bemerken.**



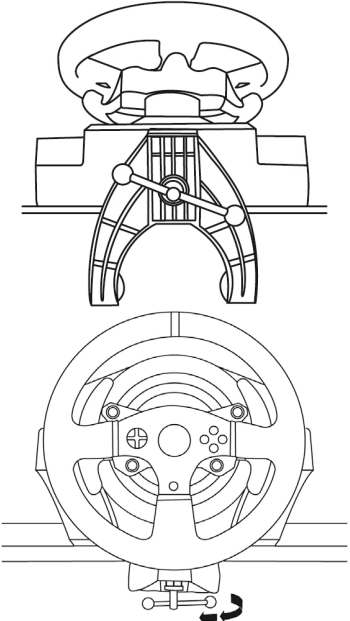
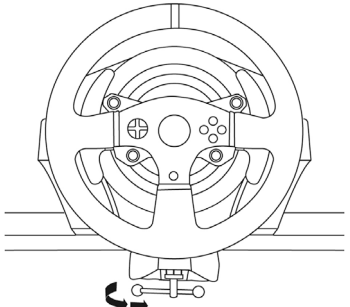
## BEFESTIGEN DES RENNLENKRADS

### Befestigen Sie das Rennlenkrad auf einem Tisch oder Schreibtisch

1. Platzieren Sie das Lenkrad auf einem Tisch oder einer anderen waagerechten, ebenen und stabilen Oberfläche.
2. Stecken Sie die Befestigungsschraube (**11**) in das Befestigungssystem (**10**). Ziehen Sie dann die Schraube entgegen dem Uhrzeigersinn im Schraubgewinde (**9**) unterhalb des Geräts, bis das Lenkrad sicher und perfekt stabil auf der Oberfläche montiert ist.



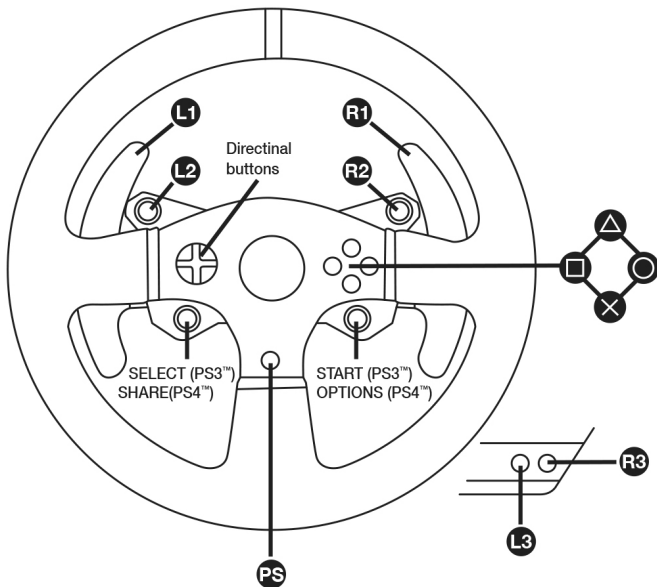
**ACHTUNG:** Ziehen Sie die Schraube niemals ohne das Befestigungssystem fest!  
(Dies könnte Ihr Rennlenkrad beschädigen).

MONTAGE / ABMONTIEREN	RICHTUNG
<p><b><u>Montieren:</u></b></p> <p><i>Drehen der Schraube entgegen dem Uhrzeigersinn</i></p>	
<p><b><u>Abmontieren:</u></b></p> <p><i>Drehen der Schraube im Uhrzeigersinn</i></p>	

## Montage der Basis des Rennlenkrads in einem Cockpit

1. Platzieren Sie die Basis des Rennlenkrads auf der Cockpit-Ablage.
2. Drehen Sie zwei M6 Schrauben (nicht enthalten) durch die Cockpit-Ablage und führen diese in die beiden kleinen Schraubgewinde unterhalb des Rennlenkrads ein.  
*Achtung:* Die Länge der beiden M6 Schrauben sollte die Dicke der Ablage plus zusätzlich 12 mm nicht überschreiten. Längere Schrauben könnten die internen Komponenten der Lenkradbasis beschädigen.
3. Falls erforderlich, schrauben Sie das Standard-Befestigungssystem mittels der Befestigungsschraube für das große Schraubgewinde an.

## PLAYSTATION®3 UND PLAYSTATION®4 MAPPING



# MONTAGE DES RENNLENKRADS AN DER PLAYSTATION®3 ODER PLAYSTATION®4

1. Verbinden Sie das Pedalset mit dem Anschluss (17) auf der Rückseite der Rennlenkradbasis.
2. Verbinden Sie das Netzkabel mit dem Anschluss (14) auf der Rückseite der Rennlenkradbasis.
3. Stecken Sie das Netzkabel in eine Steckdose mit der richtigen Spannung.



**Ausführlichere Information dazu erhalten Sie auf Seite 3 dieses Handbuchs im Abschnitt ANSCHLUSS DES RENNLENKRADS AN DAS STROMNETZ.**

4. Je nach genutzter Konsole oder genutztem Spiel stellen Sie den USB-Wahlschalter (5) an der Rennlenkradbasis entweder auf die PS3™- oder PS4™-Position.
5. Stecken Sie den USB-Stecker des Rennlenkrads (15) in einen der USB-Anschlüsse an der Konsole.
6. Nachdem Ihre Konsole eingeschaltet wurde, kalibriert sich Ihr Rennlenkrad automatisch selbst.
7. Auf der PlayStation®4 (wenn der USB-Wahlschalter auf die PS4™-Position gestellt ist): Drücken Sie den PS-Button (8) des Rennlenkrads und melden sich bei Ihrem Sony Entertainment Network-Konto an, um das Lenkrad nutzen zu können.

**Sie können nun an den Start gehen und Ihr Rennen bestreiten!**

## **Wichtige Hinweise:**

- Der USB-Wahlschalter (5) an der Rennlenkradbasis muß immer vor dem Anschluß des USB-Kabels des Rennlenkrads an die Konsole auf die richtige Position (PS3™ oder PS4™) gestellt werden. Um die Position des Wahlschalters zu verstellen, trennen Sie das USB-Kabel von der Konsole und ändern dann die Position des Wahlschalters. Schließen Sie dann das USB-Kabel erneut an die Konsole an.
- Auf der PlayStation®3 muß der USB-Wahlschalter (5) immer auf die PS3™-Position gestellt werden:
  - \* Das Lenkrad wird in den meisten Spielen als T500 RS Lenkrad erkannt.
  - \* Das Lenkrad funktioniert in kompatiblen Spielen und in den Konsolenmenüs.
  - \* Die "PS"-Funktion des Lenkrads funktioniert.
- Auf der PlayStation®4 mit dem USB-Wahlschalter (5) auf der PS3™-Position:
  - \* Das Lenkrad wird in den meisten Spielen als T500 RS Lenkrad erkannt.
  - \* Das Lenkrad funktioniert in kompatiblen Spielen aber nicht in Konsolenmenüs.
  - \* Die "SHARE"- und "PS"-Funktionen des Lenkrads funktionieren nicht.
- Auf der PlayStation®4 mit dem USB-Wahlschalter (5) auf der PS4™-Position:
  - \* Vergessen Sie nicht den PS-Button (8) des Lenkrads zu drücken, um diesen nutzen zu können.
  - \* Das Lenkrad wird in den meisten Spielen als T300 RS Lenkrad erkannt.
  - \* Das Lenkrad funktioniert in kompatiblen Spielen und in den Konsolenmenüs.
  - \* Die "SHARE"- und "PS"-Funktionen des Lenkrads funktionieren.
- Eine Liste der mit dem T300 RS kompatiblen Spiele für PlayStation®3 und PlayStation®4 (zusammen mit der erforderlichen Position des USB-Wahlschalters (5) je nach Spiel) ist verfügbar auf:  
<http://support.thrustmaster.com> (klicken Sie auf Lenkräder / T300 RS / Spiele-Einstellungen).  
Diese Liste wird regelmäßig aktualisiert.

## EINRICHTEN DES RENNLENKRADS FÜR DEN PC\*

\*PC-Kompatibilität wird von Sony Interactive Entertainment Europe nicht getestet und unterstützt.

Weitere Informationen auf <http://support.thrustmaster.com>.

## AUTOMATISCHE RENNLENKRAD- UND PEDALSET-KALIBRIERUNG

Das Rennlenkrad kalibriert sich automatisch selbst beim Anschluss desselben an die Stromversorgung und den USB-Anschluss an der Konsole.

Während dieser Phase dreht sich der Lenkkranz schnell nach rechts und links und deckt dabei einen Rotationswinkel von 1080° ab. Danach stoppt der Lenkkranz in der mittigen Position.



### **WARNUNG:**

**Berühren Sie das Rennlenkrad niemals während der Kalibrierungsphase  
(Dies kann zu Kalibrierungsfehlern und/oder Verletzungen führen.)**

## AUTOMATISCHE KALIBRIERUNG DES PEDALSETS

Verbinden/Trennen Sie das Pedalset niemals mit/von der Rennlenkradbasis, wenn diese mit der Konsole verbunden ist oder während eines Spiels. Dies kann zu Kalibrierungsfehlern führen. Schließen Sie das Pedalset ausschließlich nur an das Rennlenkrad an, bevor dieser an der Konsole angeschlossen ist. Nach der Selbstkalibrierung des Lenkrads und nach dem Spielstart werden die Pedale nach mehrmaligem Niederdrücken automatisch kalibriert.



### **WARNUNG:**

**Betätigen Sie die Pedale niemals während der Selbstkalibrierung des Lenkrads oder während ein Spiel geladen wird!! (Dies kann zu Kalibrierungsfehlern führen.)**

**Falls Ihr Rennlenkrad und/oder das Pedalset nicht ordnungsgemäß funktionieren oder die Kalibrierung nicht korrekt zu sein scheint:**

Schalten Sie Ihre Konsole aus. Trennen Sie das Rennlenkrad komplett von der Konsole. Schließen Sie die Kabel (auch Netz- und Pedalset-Kabel) erneut an. Starten Sie dann Ihre Konsole und das Spiel neu.

## INTERNER TEMPERATUR-MESSFÜHLER

Das Kühlsystem des Lenkrads besteht aus einem Kühlkörper und einem Lüfter.

- Ein Thermostat überwacht die interne Temperatur des Lenkrads.
- Wenn Sie das Lenkrad in einem Spiel benutzen:
  - Beginnt der Lüfter zu arbeiten, wenn das Lenkrad eine bestimmte Temperatur erreicht hat (nach ein paar Minuten, je nach der Stärke der benutzten Force Feedback Effekte).
  - Die Leistung der Force Feedback Effekte verringert sich automatisch, sobald das Rad ein viel höheres Temperaturniveau (zum Schutz des Motors) erreicht. Die Leistung dieser Effekte erhöht sich automatisch, sobald die Temperatur leicht abnimmt.
- Nach dem Spielen: Während der Abkühlungsphase des Motors läuft der Lüfter weiter, bis die Temperatur unter den Beginn der Startstufe des Lüfters abgesunken ist. Ihr Lenkrad wurde deshalb so gestaltet, um eine Kühlung zu fördern und zu erleichtern und um den Motor zu schützen.
- (dies kann zwischen 5 bis 45 Minuten dauern und ist abhängig von der Temperatur, die durch die Nutzung des Lenkrads im Spiel erreicht wurde).

## MODE-BUTTON UND LEUCHTANZEIGE (6)

### MODE-Button für das Pedalset

Sie können die Gas- und Kupplungspedale elektronisch vertauschen.

Um dies zu bewerkstelligen, drücken Sie einfach den MODE-Button (6) für 2 Sekunden.

Der interne Speicher des Rennlenkrads speichert, ob die Pedale vertauscht wurden oder nicht.

GAS- UND KUPPLUNGSPEDALE	Farbe der MODE Leuchtanzeige (6)
NORMAL	ROT
VERTAUSCHT	GRÜN

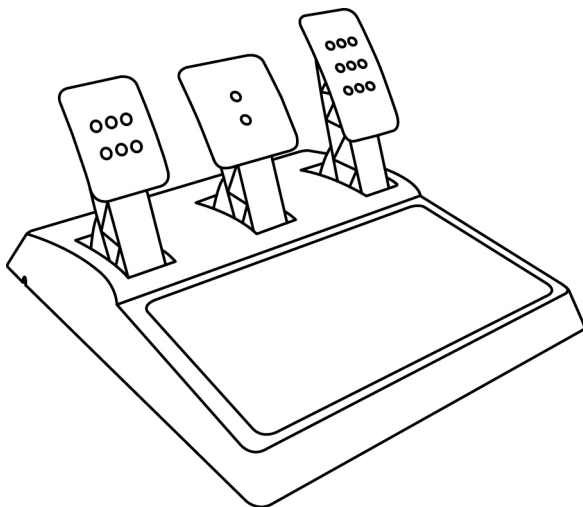
### Andere Hinweise für den MODE-Button

Um mehr über den MODE-Button und die Leuchtanzeige zu erfahren, besuchen Sie bitte die Website <http://support.thrustmaster.com>. Dann klicken Sie auf **Lenkräder / T300 RS** und wählen dann **Benutzerhandbuch** oder **FAQ** aus.

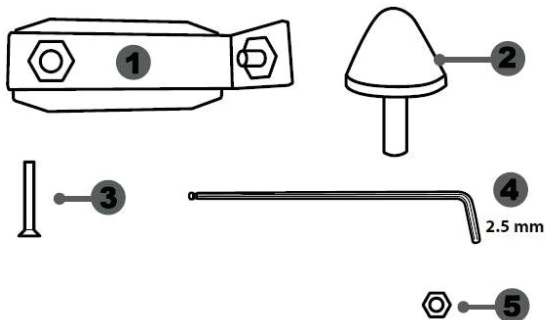
### HILFE UND HÄUFIG GESTELLTE FRAGEN (in diesem Handbuch nicht enthalten)

Gehen Sie bitte auf <http://support.thrustmaster.com>. Dann klicken Sie auf **Lenkräder / T300 RS** und wählen dann **Benutzerhandbuch** oder **FAQ** aus.

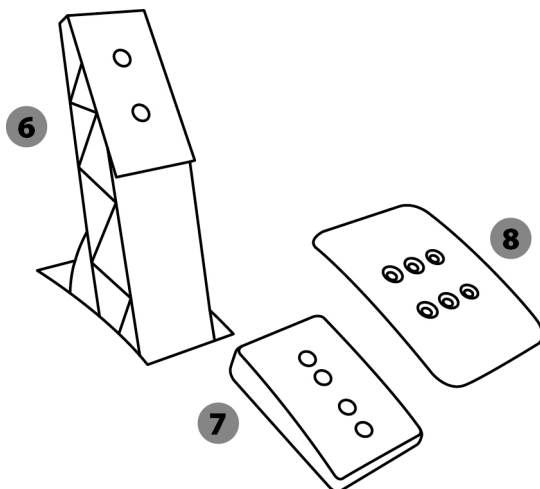
# T3PA – GT EDITION PEDALSET



## TECHNISCHE MERKMALE



- 1 Metallhalterung für den konischen Stop  
(standardmäßig nicht montiert)
- 2 Konischer Stop
- 3 Befestigungsschraube für Metallträger
- 4 2.5 mm Inbusschlüssel (inklusive)
- 5 Positions-Stellmutter für konischen Stop



- 6 Pedalstange
- 7 Plastik-Halterung
- 8 Pedalkopf aus Metall



## ACHTUNG

Bevor Sie dieses Produkt benutzen, lesen Sie bitte diese Dokumentation sorgfältig durch und bewahren diese sicher auf, falls Sie später etwas nachlesen müssen.



Benutzen Sie das Pedalset aus Sicherheitsgründen niemals barfuß  
oder wenn Sie nur Socken tragen.  
**THRUSTMASTER® LEHNT JEDWEDE HAFTUNG IM FALLE EINER  
VERLETZUNG DURCH DAS PEDALSET DURCH NUTZUNG DESSELBEN  
OHNE SCHUHWERK AB.**



### Achtung – Quetschgefahr am Pedalset während des Spielens

- \* Bewahren Sie das Pedalset außerhalb der Reichweite von Kindern auf.
- \* Bringen Sie während des Spielens niemals Ihre Finger auf oder in die Nähe der Seiten der Pedale.
- \* Bringen Sie während des Spielens niemals Ihre Finger auf oder in die Nähe der Pedalrückseite.
- \* Bringen Sie während des Spielens niemals Ihre Finger auf oder in die Nähe der Pedalvorderseite.

NIE



NIE



NIE



## AUTOMATISCHE KALIBRIERUNG DER PEDALE



### **WICHTIG:**

- Trennen oder verbinden Sie das Pedalset niemals von/mit der Basis, wenn diese an das PS3™- oder das PS4™-System angeschlossen ist oder während des Spielverlaufs, um Kalibrierungsprobleme zu vermeiden.
- = Schließen Sie das Pedalset immer an das Lenkrad an, bevor dieses mit einem PS3™- oder einem PS4™-System verbunden wird.
- Nach der Selbstkalibrierung des Lenkrads und zu Beginn eines Spiels, kalibrieren sich die Pedale selbstständig nachdem diese einige Male betätigt wurden.
- Drücken Sie niemals die Pedale während der Selbstkalibrierung des Lenkrads oder beim Spielstart, um Kalibrierungsprobleme zu vermeiden.
- Falls die Pedale nicht korrekt funktionieren oder nicht ordnungsgemäß kalibriert zu sein scheinen: Schalten Sie Ihre Konsole aus. Trennen Sie Ihr Lenkrad völlig von derselben und schließen danach alle Kabel (inkl. Netzkabel und Pedalset-Kabel) wieder an. Schalten Sie Ihre Konsole ein und starten Sie Ihr Spiel erneut.

## EINBAU DES PEDALSETS IN EIN COCKPIT

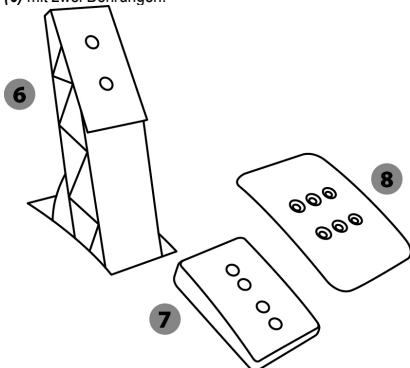
- Montieren Sie das Pedal-Set durch die darunterliegenden kleinen Gewindebohrungen.
- Drehen Sie zwei M6 Schrauben (nicht enthalten) durch die Cockpit-Ablage in die beiden kleinen Schraubgewinde unterhalb des Pedalsets ein.

**Wichtig:** Die Länge der Schrauben sollte die Dicke der Ablage plus zusätzlich 10 mm nicht überschreiten. Längere Schrauben könnten die internen Komponenten des Pedalsets beschädigen.

## ANPASSEN DES PEDALSETS

### Jedes der drei Pedale umfaßt:

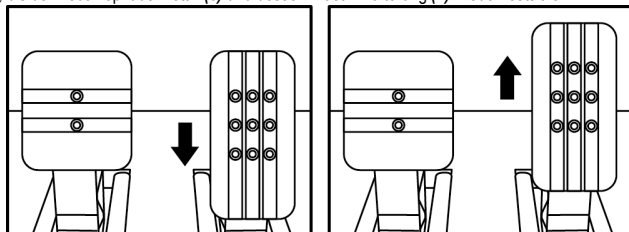
- Einen Metallkopf (8) mit mehreren Bohrungen (neun für das Gas – zwei für die Bremse – sechs für die Kupplung).
- Eine Plastik-Halterung (7) mit vier Bohrungen, die zwischen dem Kopf und der Stange plaziert wird.
- Eine Pedalstange (6) mit zwei Bohrungen.



**ACHTUNG:** Um jedwede Kalibrierungsprobleme zu vermeiden, stellen Sie sicher, daß das USB-Kabel des Lenkrads von dem PS3™- oder dem PS4™-System getrennt ist, bevor Sie irgendwelche Anpassungen Ihres Pedalsets vornehmen.

### Anpassen der HÖHE des Gaspedals

- Benutzen Sie den beigelegten 2,5 mm Inbusschlüssel (4), um die beiden Schrauben, die den Pedalkopf aus Metall (8) und dessen Plastik-Halterung (7) halten, loszuschrauben.
- Wählen Sie Ihre bevorzugte Höhe und setzen dann die Schrauben wieder ein. Ziehen Sie diese fest, bis der Pedalkopf aus Metall (8) und dessen Plastik-Halterung (7) wieder festsitzen.



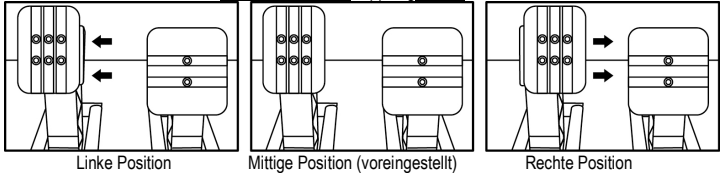
Niedrige Position (voreingestellt)

Hohe Position

## Anpassen des ZWISCHENRAUMES der drei Pedale

- Benutzen Sie den beigelegten 2,5 mm Inbusschlüssel (4), um die beiden Schrauben, die den Pedalkopf aus Metall (8) und dessen Plastik-Halterung (7) halten, loszuschrauben.
- Wählen Sie Ihre bevorzugte Position (mehr links, in der Mitte oder mehr nach rechts) und setzen dann die Schrauben wieder ein. Ziehen Sie diese fest, bis der Pedalkopf aus Metall (8) und dessen Plastik-Halterung (7) wieder festsitzen.

Zum Beispiel beim Kupplungspedal:



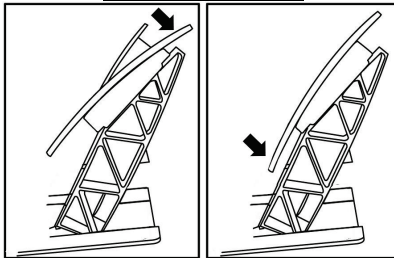
Anzahl der möglichen Abstandspositionen pro Pedal:

- Drei für das Gaspedal
- Drei für die Kupplung

## Anpassen der NEIGUNG

- Benutzen Sie den beigelegten 2,5 mm Inbusschlüssel (4), um die beiden Schrauben, die den Pedalkopf aus Metall (8) und dessen Plastik-Halterung (7) halten, loszuschrauben.
- Drehen Sie die Plastikhalterung (7) um 180° und setzen dann die Schrauben wieder ein. Ziehen Sie diese fest, bis der Pedalkopf aus Metall (8) und dessen Plastik-Halterung (7) wieder festsitzen.

Zum Beispiel beim Gaspedal:



Weniger geneigte Position      Geneigtere Position (voreingestellt)

Anzahl der möglichen Neigungspositionen pro Pedal:

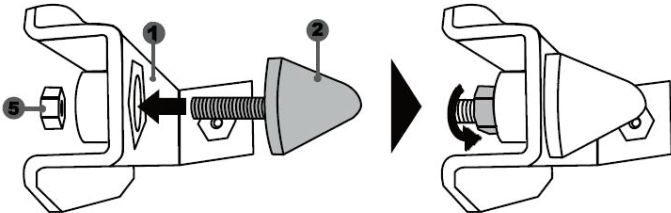
- Zwei für das Gaspedal
- Zwei für die Bremse
- Zwei für die Kupplung

## Montage des konischen Stops ("CONICAL RUBBER BRAKE" Mod)

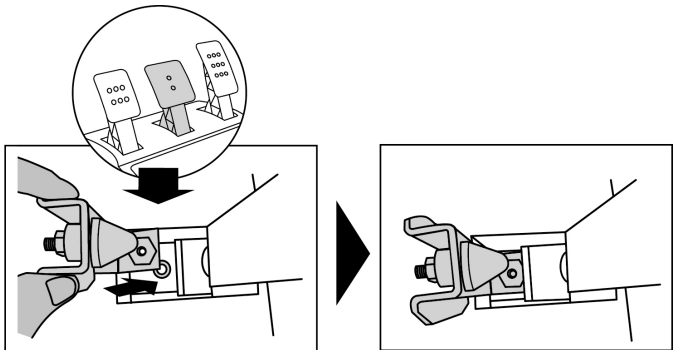
Die Modifizierung (oder "Mod") ist nicht unbedingt erforderlich und ist standardmäßig nicht montiert. Das bedeutet, daß die Bremse auch ohne diese Mod bestens funktioniert.

Diese Mod verschafft Ihnen ein anderes Gefühl und einen anderen Widerstand beim Bremsen. Es liegt bei Ihnen, diese nach Ihrem Belieben zu montieren.

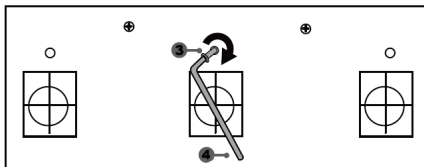
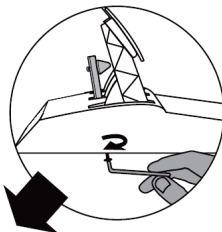
- Schrauben Sie den konischen Stop (2) in dessen Metallhalterung (1).
- Drehen Sie die Positions-Stellmutter (5) von unten auf das Gewinde des konischen Stops.



- Positionieren Sie die Einheit auf der Rückseite der Bremspedalstange.



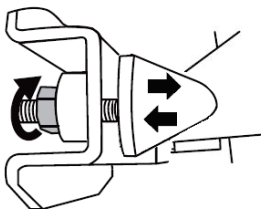
- Benutzen Sie den beigefügten 2.5 mm Inbusschlüssel (4), um die Einheit mittels der Befestigungsschraube (3) und dem kleinen Schraubgewinde an der Unterseite des Pedalsatzes zu montieren.



**Die "CONICAL RUBBER BRAKE" Mod ist nun montiert!**

## Anpassen des HUBS und der STÄRKE des Widerstands der Bremse

Durch leichtes Losdrehen der Mutter (5) können Sie den Bremswiderstand verstärken, indem Sie den konischen Stop (2) näher an die Rückseite der Bremspedalstange herausdrehen (falls nötig, verwenden Sie einen 14-mm-Maulschlüssel oder eine Zange, um die Mutter in der gewählten Position wieder anzuziehen). Je näher der konische Stop an der Bremspedalstange sitzt, desto stärker wird der Bremswiderstand.



**Bitte beachten:** Wenn der konische Stop sehr nahe an der Bremspedalstange sitzt, könnten Sie Schwierigkeiten zum Erreichen des maximalen Kalibrierungswertes bekommen. Sollte dies der Fall sein:

- \* Drücken Sie langsam sehr hart auf das Bremspedal, um den Maximalwert zu erreichen (falls nötig, stellen Sie sich ganz kurz auf das Pedal - nur für eine Sekunde) und geben dann das Pedal wieder frei; oder aber
- \* Drehen den konischen Stop etwas ein, um mehr Abstand von der Bremspedalstange zu erhalten.

## **Kunden-Garantie-Information**

Guillemot Corporation S.A. mit Hauptfirmensitz in Place du Granier, B.P. 97143, 35571 Chantepie, France (fortfolgend "Guillemot") garantiert Kunden weltweit, daß dieses Thrustmaster Produkt frei von Mängeln in Material und Verarbeitung für eine Gewährleistungsfrist ist, die mit der Frist für eine Mängelrüge bezüglich des Produktes übereinstimmt. In den Ländern der Europäischen Union entspricht diese einem Zeitraum von zwei (2) Jahren ab Kaufdatum des Thrustmaster Produktes. In anderen Ländern entspricht die Gewährleistungsfrist der zeitlichen Begrenzung für eine Mängelrüge bezüglich des Thrustmaster Produktes in Übereinstimmung mit anwendbarem Recht des Landes, in dem der Kunde zum Zeitpunkt des Erwerbs eines Thrustmaster Produktes wohnhaft ist. Sollte eine entsprechende Regelung in dem entsprechenden Land nicht existieren, umfasst die Gewährleistungspflicht einen Zeitraum von einem (1) Jahr ab dem originären Kaufdatum des Thrustmaster Produktes.

Sollten bei dem Produkt innerhalb der Gewährleistungsfrist Defekte auftreten, kontaktieren Sie unverzüglich den technischen Kundendienst, der die weitere Vorgehensweise anzeigt. Wurde der Defekt bestätigt, muß das Produkt an die Verkaufsstelle (oder an eine andere Stelle, je nach Maßgabe des technischen Kundendienstes) retourniert werden.

Im Rahmen dieser Garantie sollte das defekte Produkt des Kunden, je nach Entscheidung des technischen Kundendienstes, entweder ausgetauscht oder repariert werden. Sollte während der Garantiezeit das Thrustmaster Produkt einer derartigen Instandsetzung unterliegen und das Produkt während eines Zeitraums von mindestens sieben (7) Tagen nicht benutzbar sein, wird diese Zeit der restlichen Garantiezeit hinzugefügt. Diese Frist läuft ab dem Zeitpunkt, an dem der Wunsch des Verbrauchers bezüglich einer Intervention vorliegt oder ab dem Tag, an dem das fragliche Produkt zur Instandsetzung zur Verfügung steht, falls das Datum, an dem das Produkt zur Instandsetzung zur Verfügung steht, dem Datum des Antrags auf Intervention nachfolgt. Wenn nach geltendem Recht zulässig, beschränkt sich die volle Haftung von Guillemot und ihrer Tochtergesellschaften auf die Reparatur oder den Austausch des Thrustmaster Produktes (inklusive Folgeschäden). Wenn nach geltendem Recht zulässig, lehnt Guillemot alle Gewährleistungen der Marktgängigkeit oder Eignung für einen bestimmten Zweck ab.

Der Gewährleistungsanspruch verfällt: (1) Falls das Produkt modifiziert, geöffnet, verändert oder ein Schaden durch unsachgemäßen oder missbräuchlichen Gebrauch hervorgerufen wurde, sowie durch Fahrlässigkeit, einen Unfall, Verschleiß oder irgendeinem anderen Grund – aber nicht durch Material- oder Herstellungsfehler (einschließlich, aber nicht beschränkt auf, die Kombination der Thrustmaster Produkte mit ungeeigneten Elementen, insbesondere Netzteile, Akkus, Ladegeräte, oder andere Elemente, die von Guillemot für dieses Produkt nicht mitgeliefert wurden); (2) Falls das Produkt für eine andere Nutzung als zum privaten Hausgebrauch, einschließlich für professionelle oder kommerzielle Zwecke (z. B. Spielhallen, Training, Wettkämpfe) verwendet wird; (3) Im Falle der Nichteinhaltung der durch den technischen Support erteilten Anweisungen; (4) Durch Software. Die besagte Software ist Gegenstand einer speziellen Garantie; (5) Bei Verbrauchsmaterialien (Elemente, die während der Produktlebensdauer ausgetauscht werden, wie z. B. Einwegbatterien, Ohrpolster für ein Audioheadset oder für Kopfhörer); (6) Bei Accessoires (z. B. Kabel, Etuis, Taschen, Beutel, Handgelenk-Riemen); (7) Falls das Produkt in einer öffentlichen Versteigerung verkauft wurde. Diese Garantie ist nicht übertragbar.

Die Rechte des Kunden in Übereinstimmung mit anwendbarem Recht bezüglich des Verkaufs auf Konsumgüter im Land der/der Kunden/Kundin wird durch diese Garantie nicht beeinträchtigt.

## Zusätzliche Gewährleistungsbestimmungen

Während der Garantiezeit bietet Guillemot grundsätzlich keine Ersatzteile an, da der technische Kundendienst der einzige autorisierte Partner zum Öffnen und/oder Instandsetzen jedweden Thrustmaster-Produkts ist (mit Ausnahme von irgendwelchen Instandsetzungsprozeduren, die der Kunde nach Maßgabe des technischen Kundendienstes und durch schriftliche Instruktionen sowie der Zurverfügungstellung des/der eventuell erforderlichen Ersatzteil(s)(e) selbst in der Lage ist durchzuführen – zum Beispiel aufgrund der Einfachheit und einer nicht erforderlichen Geheimhaltung des Instandsetzungsverfahrens).

Aufgrund seiner Innovationszyklen und um sein Know-how und seine Geschäftsgeheimnisse zu schützen, bietet Guillemot grundsätzlich keine Instandsetzungs-Benachrichtigung oder Ersatzteile für alle Thrustmaster Produkte an, deren Garantiezeit abgelaufen ist.

## Haftung

Wenn nach dem anwendbaren Recht zulässig, lehnen Guillemot Corporation S.A. (fortfolgend "Guillemot") und ihre Tochtergesellschaften jegliche Haftung für Schäden, die auf eine oder mehrere der folgenden Ursachen zurückzuführen sind, ab: (1) das Produkt wurde modifiziert, geöffnet oder geändert; (2) Nichtbefolgung der Montageanleitung; (3) unangebrachte Nutzung, Fahrlässigkeit, Unfall (z. B. ein Aufprall); (4) normalem Verschleiß; (5) Die Verwendung des Produkts für jedwede andere Nutzung als zum privaten Hausgebrauch, einschließlich professionelle oder kommerzielle Zwecke (z. B. Spielhallen, Training, Wettkämpfe). Wenn nach anwendbarem Recht zulässig, lehnen Guillemot und seine Niederlassungen jegliche Haftung für Schäden, die nicht auf einen Material- oder Herstellungsfehler in Bezug auf das Produkt beruhen (einschließlich, aber nicht beschränkt auf, etwaige Schäden, die direkt oder indirekt durch Software oder durch die Kombination der Thrustmaster Produkte mit ungeeigneten Elementen, insbesondere Netzteile, Akkus, Ladegeräte, oder andere Elemente, die von Guillemot für dieses Produkt nicht geliefert wurden), ab.

**THRUSTMASTER®**

TECHNISCHER SUPPORT

<http://support.thrustmaster.com>





## COPYRIGHT

© 2017 Guillemot Corporation S.A. Alle Rechte vorbehalten. Thrustmaster® ist eine eingetragene Marke von Guillemot Corporation S.A.

Für den Verkauf in Europa, Afrika, dem Nahen Osten, Russland, Indien und Ozeanien lizenziert. Zur exklusiven Nutzung mit PlayStation®3 und PlayStation®4.

Alle anderen Marken sind im Besitz Ihrer jeweiligen Eigentümer. Illustrationen nicht verbindlich. Inhalte, Designs und Spezifikationen können ohne vorherige Ankündigung geändert werden und können von Land zu Land unterschiedlich sein. Hergestellt in China.

Hergestellt und vertrieben von Guillemot Corporation S.A.

## HINWEISE ZUM UMWELTSCHUTZ



\* In der Europäischen Union: Dieses Produkt darf nach Ende seiner Lebensdauer nicht über den Hausmüll entsorgt werden, sondern muss an einem Sammelpunkt für das Recycling von elektrischen und elektronischen Geräten abgegeben werden.

Das Symbol auf dem Produkt, der Gebrauchsanleitung oder der Verpackung weist darauf hin.

Die Werkstoffe sind gemäß ihrer Kennzeichnung wiederverwertbar. Mit der Wiederverwertung, der stofflichen Verwertung oder anderen Formen von Altgeräten leisten Sie einen wichtigen Beitrag zum Schutz unserer Umwelt. Bitte erfragen Sie bei der Gemeindeverwaltung die zuständige Entsorgungsstelle.

Für alle anderen Länder: Bitte beachten Sie die lokalen Entsorgungsrichtlinien/-Gesetze bezüglich elektrischen und elektronischen Equipments.

Wichtige Informationen. Die Farben und Verzierungen können abweichen.

Plastikhalterungen und Aufkleber bitte vor der Nutzung des Produktes entfernen.

[www.thrustmaster.com](http://www.thrustmaster.com)

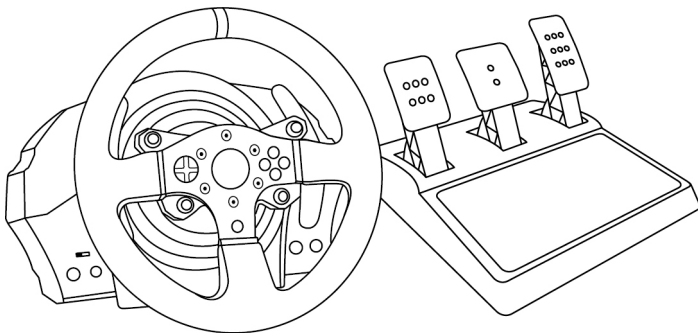
\* Nur in der EU und der Türkei anwendbar



# T300RS

## GT Edition

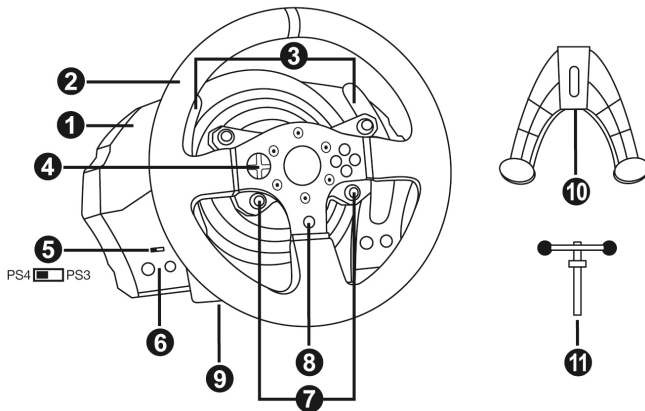
### Handleiding



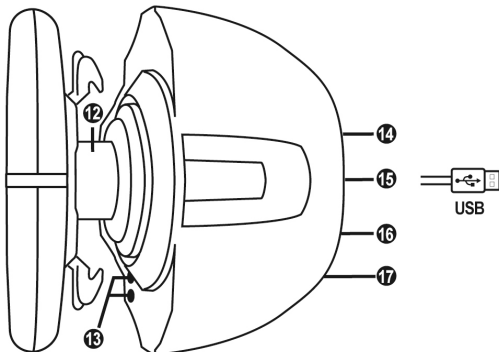
#### **WAARSCHUWING:**

Om er zeker van te zijn dat het T300-racestuur correct werkt met games, moet u mogelijk de automatische updates voor de games installeren (beschikbaar wanneer het systeem met internet is verbonden).

## TECHNISCHE SPECIFICATIES



- |  |   |
|--|---|
| 1 T300 RS-voet                                   | 7 SELECT/START-knoppen op de PS3™ en SHARE/OPTIONS-knoppen op de PS4™ |
| 2 T300 GT-stuur                                  | 8 PS-knop   |
| 3 2 sequentiële schakelflippers (Up & Down)      | 9 Groot schroefgat (voor bevestigingssysteem en -schroef)             |
| 4 Multidirectionele D-Pad                        | 10 Bevestigingssysteem  |
| 5 Ingebouwde USB-schuifschakelaar voor PS4™/PS3™ | 11 Metalen bevestigingsschroef  |
| 6 MODE-knop + rood/groen-indicator               |   |



- |  |  |
|--|--|
| 12 Thrustmaster Quick Release  | 15 USB-kabel en -connector voor racestuur                                |
| 13 L3/R3-knoppen   | 16 Connector voor versnellingsbak (versnellingsbak wordt apart verkocht) |
| 14 Connector voor netstroom (type A of B) (kan per land verschillen) | 17 Connector voor pedaalset  |

# HET RACESTUUR AANSLUITEN OP EEN STOPCONTACT: LEES DIT VOORDAT U VERDER GAAT!

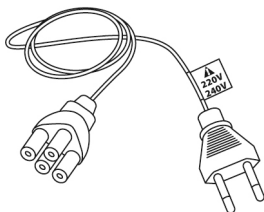
Het land waarin het racestuur is aangeschaft, is bepalend voor het soort netvoeding dat het stuur gebruikt. Mogelijke soorten netvoeding:

## Intern, met:

\* een voedingseenheid gemonteerd in de voet van het racestuur met een connector van het type A.

\* een kabel voor netstroom van 220-240 V.

= alleen compatibel met een netspanning van 220-240 V.



**Sluit de 220-240 V kabel nooit aan op een 100-130 V stopcontact!!!  
Sluit deze kabel nooit aan op een netstroomadapter!!!**

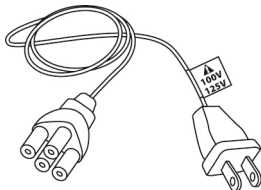


## Intern, met:

\* een voedingseenheid gemonteerd in de voet van het racestuur met een connector van het type A.

\* een kabel voor netstroom van 100-125 V.

= alleen compatibel met een netspanning van 100-125 V.



**Sluit de 100-125 V kabel nooit aan op een 220-240 V stopcontact!!!  
Sluit deze kabel nooit aan op een netstroomadapter!!!**



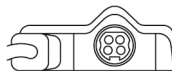
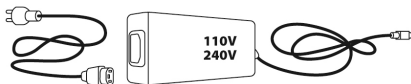
**BELANGRIJK: als u niet weet welk voltage er op het stopcontact staat op de plek waar u het racestuur wilt gebruiken, neem dan contact op met een plaatselijke elektriciteitsleverancier.**

## Extern, met:

\* een externe voedingseenheid met een connector van het type B.

\* een kabel voor de voeding.

= compatibel met alle netspanningen van 110-240 V.



## WAARSCHUWINGEN

Lees, voordat u dit product gebruikt, deze handleiding zorgvuldig door en bewaar hem om eventueel op een later tijdstip te kunnen raadplegen.



### Waarschuwing — Elektrische schok

- \* Berg dit product op een droge plek op, uit de zon en stofvrij.
- \* Trek nooit te hard aan een kabel of connector en zorg dat er geen knikken in kabels komen.
- \* Mors geen vloeistoffen op het product of op een connector.
- \* Veroorzaak geen kortsluiting.
- \* Haal het product nooit uit elkaar, gooi het niet in het vuur en stel het niet bloot aan hoge temperaturen.
- \* Gebruik geen andere netstroomkabel dan de kabel meegeleverd bij het racestuur.
- \* Gebruik de netstroomkabel nooit als de kabel, de stekkers of de connectoren zijn beschadigd, gespleten of gebroken.
- \* Controleer dat de netstroomkabel correct is aangesloten op het stopcontact en correct is aangesloten op de achterzijde van de voet van het racestuur.
- \* Maak het stuur niet open. Er bevinden zich geen door de gebruiker te onderhouden of repareren onderdelen in. Alle reparaties dienen te worden uitgevoerd door de fabrikant, haar bevoegde vertegenwoordiger of een gekwalificeerd technicus.
- \* Gebruik alleen door de fabrikant goedgekeurde hulpstukken en accessoires.
- \* Als het racestuur zich vreemd gedraagt, bijvoorbeeld door rare geluiden te maken, heet te worden of te stinken, stop dan onmiddellijk met het gebruik, haal de stekker uit het stopcontact en maak alle andere kabels los.
- \* Als het racestuur langere tijd niet wordt gebruikt, haal dan de stekker uit het stopcontact.



### Ventilatieopeningen

Blokkeer nooit de ventilatieopeningen op de voet van het stuur. Aanwijzingen voor optimale ventilatie:

- \* Plaats de voet van het stuur minimaal 10 cm van een muur.
- \* Plaats de voet niet in een krappe ruimte.
- \* Leg nooit iets over de voet heen.
- \* Zorg dat de ventilatieopeningen stofvrij blijven.



Om veiligheidsredenen mogen de pedalen nooit met blote voeten worden bediend of met alleen sokken aan.

**THRUSTMASTER® WIJST ELKE VERANTWOORDELIJKHEID AF IN GEVAL VAN LETSEL ALS GEVOLG VAN HET GEBRUIK VAN DE PEDAALSET ZONDER SCHOENEN AAN.**



### Waarschuwing — Mogelijk letsel ten gevolge van Force Feedback en repetitieve bewegingen

Gamen met een Force Feedback-stuur kan leiden tot pijn in de gewrichten of de spieren. Hoe voorkomt u problemen:

- \* Vermijd langdurige gamesessies.
- \* Neem na elk uur gamen een pauze van 10 tot 15 minuten.
- \* Stop met gamen bij last van vermoeidheid of pijn in handen, polsen, armen, voeten of benen, en rust een paar uur voordat u weer verder gaat met gamen.



**Waarschuwing — Mogelijk letsel ten gevolge van Force Feedback en repetitieve bewegingen (vervolg)**

- \* Stop al het gamen als de hierboven beschreven symptomen van pijn of ongemak blijven aanhouden tijdens het gamen en raadpleeg een huisarts.
- \* Houd het stuur, de voet en de pedaalset buiten het bereik van kinderen.
- \* Houd tijdens het gamen altijd twee handen aan het stuur op de juiste stand en laat het stuur nooit helemaal los.
- \* Zorg er tijdens het gamen voor dat handen of vingers nooit in de buurt van of onder de pedalen of de pedaalset komen.
- \* Steek tijdens het kalibreren en gamen nooit een vinger, hand of arm door de openingen van het racestuur.
- \* Zorg er voor dat de voet van het racestuur stevig vast zit, zoals beschreven in deze handleiding.



Product mag alleen verplaatst worden door gebruikers van 16 jaar of ouder



Wees voorzichtig en laat het product niet op uzelf of iemand anders vallen!

**ALTIJD**



**NOOIT**



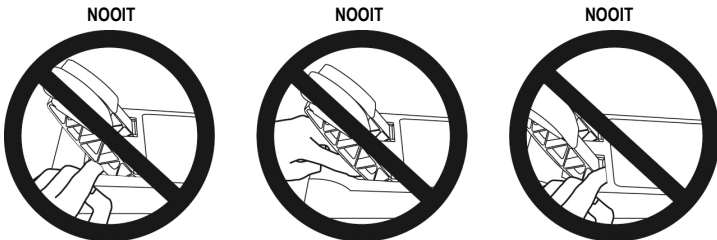
**NOOIT**





### Waarschuwing — Pedaalset beknellingsgevaar bij gebruik

- \* Houd de pedaalset buiten het bereik van kinderen.
- \* Houd tijdens het gamen nooit uw vingers op of in de buurt van de zijkant van de pedalen.
- \* Houd tijdens het gamen nooit uw vingers op of in de buurt van de achterkant van de pedalen.
- \* Houd tijdens het gamen nooit uw vingers op of in de buurt van de voorkant van de pedalen.



### Waarschuwing — Pedaalset beknellingsgevaar bij gebruik

- \* Berg de pedaalset op een veilige plaats op, buiten het bereik van kinderen.

## DE FIRMWARE VAN HET RACESTUUR BIJWERKEN

De firmware in de voet van het racestuur kan worden bijgewerkt naar een nieuwere verbeterde versie wanneer een dergelijke versie beschikbaar komt.

Om de huidige versie van de firmware van het racestuur weer te geven en deze bij te werken indien gewenst: ga op een pc naar <http://support.thrustmaster.com>. Klik op **Racesturen / T300 RS**, selecteer **Firmware** en volg de instructies voor het downloaden en installeren.

#### Belangrijke opmerking:

Op een pc moet de USB-schuifschakelaar (5) op de voet van het racestuur altijd in de stand PS3™ staan.

## HET RACESTUUR INSTALLEREN OP DE VOET

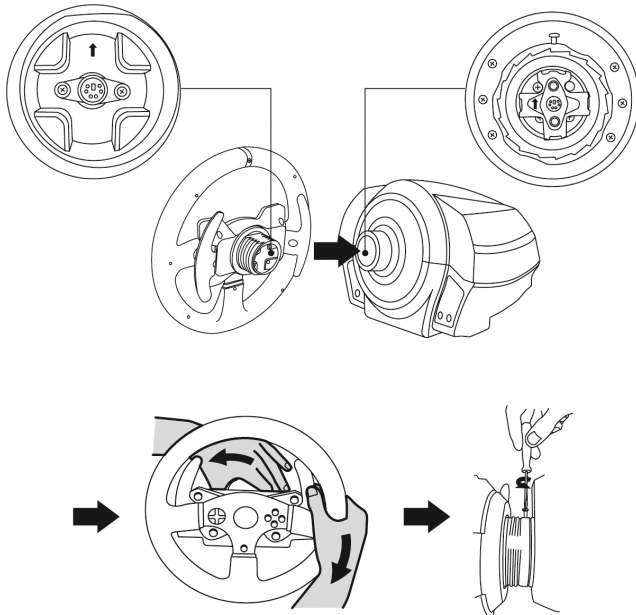
Positioneer de connectoren met behulp van de pijlen:

**Connector op voet (1):** pijl die omhoog wijst

**Connector op stuur (2):** pijl die omhoog wijst

Draai zodra de connectoren correct zijn gepositioneerd de ring van de Thrustmaster Quick Release (12) op zijn plaats tegen de wijzers van de klok in terwijl u het racestuur vasthoudt (2).

Draai vervolgens de ring zo strak mogelijk vast door deze op zijn plaats te houden en het stuur met de wijzers van de klok mee te draaien.



Zodra u het racestuur hebt geïnstalleerd, draait u het 180° om (kijkend naar het stuur, moet het GT-logo nu ondersteboven staan) voor toegang tot de kleine bevestigingsschroef onder op de Thrustmaster Quick Release (12). Gebruik een grote kruiskopschroevendraaier om de kleine bevestigingsschroef met de wijzers van de klok mee vast te draaien (gebruik geen overmatige kracht).



**Draai bij het gebruik van een kruiskopschroevendraaier de kleine bevestigingsschroef niet te vast aan!**

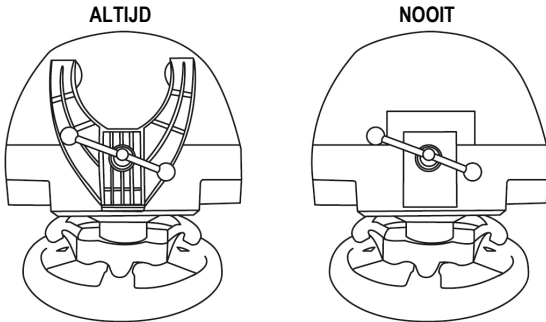
**Stop met het aandraaien van de schroef zodra u enige weerstand voelt.**



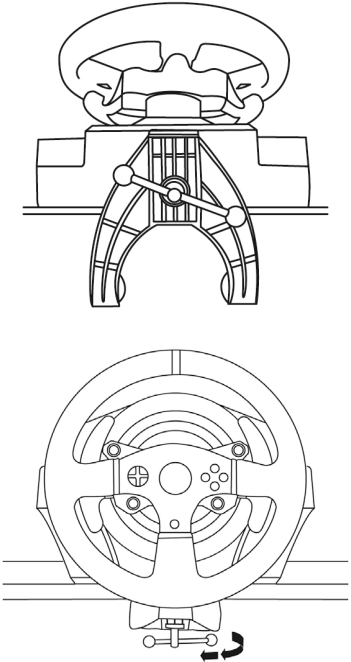
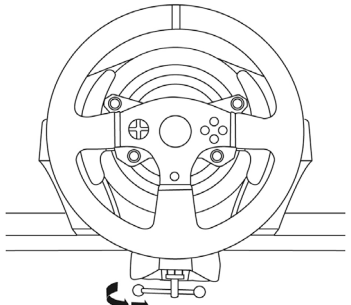
# HET RACESTUUR BEVESTIGEN

## Het racestuur op een tafel of werkblad bevestigen

1. Plaats het racestuur op een tafel of een ander horizontaal, vlak en stabiel oppervlak.
2. Plaats de bevestigingsschroef (11) in het bevestigingssysteem (10) en draai de schroef aan (tegen de klok in) zodat deze vast komt te zitten in het schroefgat (9) onder het racestuur en het stuur volledig stabiel is.



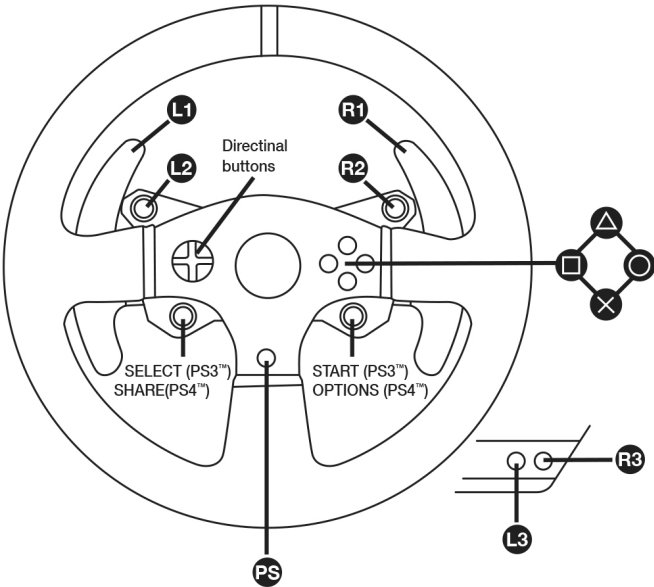
**WAARSCHUWING:** draai de schroef nooit in het racestuur zonder het bevestigingssysteem!  
(Daarmee kunt u het racestuur beschadigen).

BEVESTIGEN / VERWIJDEREN	RICHTING
<p><b><u>Vastdraaien:</u></b></p> <p><i>Draai de schroef linksom vast (tegen de wijzers van de klok in).</i></p>	
<p><b><u>Losdraaien:</u></b></p> <p><i>Draai de schroef rechtsom los (met de wijzers van de klok mee).</i></p>	

## De voet van het racestuur aan een cockpit bevestigen

1. Plaats de voet van het racestuur op het cockpitpaneel.
2. Draai twee M6-schroeven (niet meegeleverd) door het cockpitpaneel en in de twee kleine schroefgaten aan de onderkant van het racestuur.  
*Belangrijk:* de M6-schroeven mogen niet langer zijn dan de dikte van het paneel + 12 mm. Langere schroeven kunnen de componenten in de voet van het racestuur beschadigen.
3. Zet indien nodig het standaardbevestigingssysteem vast door de bevestigingsschroef in het grote schroefgat te draaien.

## MAPPING VOOR PLAYSTATION®3 EN PLAYSTATION®4



## HET RACESTUUR GEREED MAKEN VOOR DE PLAYSTATION®3 OF PLAYSTATION®4

1. Sluit de pedaalsset aan op de connector (17) aan de achterkant van de voet van het racestuur.
2. Sluit de netstroomkabel aan op de connector (14) aan de achterkant van de voet van het racestuur.
3. Sluit de netstroomkabel aan op een stopcontact met de correcte netspanning.



**Raadpleeg voor meer informatie over dit onderwerp de sectie HET RACESTUUR AANSLUITEN OP EEN STOPCONTACT op pagina 3 van deze handleiding.**

4. Zet de USB-keuzeschakelaar (5) op de voet van het racestuur in de gewenste stand: PS3™ of PS4™.
5. Sluit de USB-connector (15) van het stuur aan op een van de USB-poorten van de console.
6. Zodra de console stroom krijgt, kalibreert het stuur zichzelf.
7. Als de USB-keuzeschakelaar in de stand PS4™ staat, drukt u op de PlayStation®4 op de PS-knop (8) op het racestuur en gaat u naar uw Sony Entertainment Network account om het stuur te kunnen gebruiken.

***Nu kan er gespeeld worden!***

### Belangrijke opmerkingen:

- De USB-keuzeschakelaar (5) op de voet van het racestuur moet altijd op de correcte stand (PS3™ of PS4™) worden gezet voordat de USB-kabel van het stuur op de console wordt aangesloten. Als u de stand van de keuzeschakelaar wilt veranderen, koppelt u de USB-kabel los van de console, verandert u de stand en sluit u de USB-kabel weer aan op de console.
- Op de PlayStation®3 moet de USB-keuzeschakelaar (5) altijd in de stand PS3™ staan:
  - \* Het stuur wordt in de meeste games herkend als een T500RS-stuur.
  - \* Het stuur werkt in compatibele games en in consolemenu's.
  - \* De "PS"-functie op het stuur werkt.
- Op de PlayStation®4 met de USB-keuzeschakelaar (5) in de stand PS3™:
  - \* Het stuur wordt in de meeste games herkend als een T500RS-stuur.
  - \* Het stuur werkt in compatibele games, maar niet in consolemenu's.
  - \* De "SHARE"- en de "PS"-functie op het stuur werken niet.
- Op de PlayStation®4 met de USB-keuzeschakelaar (5) in de stand PS4™:
  - \* Vergeet niet op de PS-knop (8) op het stuur te drukken om het stuur te kunnen gebruiken.
  - \* Het stuur wordt in de meeste games herkend als een T300 RS-stuur.
  - \* Het stuur werkt in compatibele games en in consolemenu's.
  - \* De "SHARE"- en de "PS"-functie op het stuur werken.
- De lijst met PlayStation®3- en PlayStation®4-games die compatibel zijn met de T300 RS en de daarvoor benodigde stand van de USB-keuzeschakelaar (5) is beschikbaar op:  
<http://support.thrustmaster.com>  
(klik op Racesturen / T300 RS / Spellen instellingen).  
Deze lijst wordt regelmatig bijgewerkt.

## HET RACESTUUR INSTALLEREN OP UW PC\*

\*PC-compatibiliteit niet getest en niet ondersteund door Sony Interactive Entertainment Europe.

Voor meer informatie, ga naar <http://support.thrustmaster.com>.

## HET RACESTUUR EN DE PEDAALSET AUTOMATISCH KALIBREREN

Het stuur kalibreert zichzelf automatisch wanneer u het stuur op een stopcontact aansluit en de USB-connector van het stuur op de console aansluit.

Tijdens deze kalibratie zal het stuur snel 1080 graden linksom en rechtsom draaien voordat het stopt in de middenstand.



### **WAARSCHUWING:**

**Tijdens het automatisch kalibreren mag u het stuur niet aanraken.**

***(Raakt u het stuur toch aan, dan kan dit leiden tot een onjuiste kalibratie en/of persoonlijk letsel).***

## AUTOMATISCH KALIBREREN VAN DE PEDAALSET

Sluit de pedaalset nooit aan op de voet van het racestuur of koppel deze nooit los van de voet terwijl het is aangesloten op de console of tijdens het gamen. Doet u dit toch, dan kan dat leiden tot een onjuiste kalibratie.

Sluit altijd eerst de pedaalset aan voordat u het racestuur aansluit op de console.

Nadat de kalibratie van het racestuur gereed is en de game gestart is, zijn de pedalen automatisch gekalibreerd na een paar keer intrappen.



### **WAARSCHUWING:**

**Trap de pedalen nooit in**

**tijdens het zelfkalibreren van het stuur of tijdens het laden van de game.**

***(Dit kan leiden tot een onjuiste kalibratie).***

### **Als het racestuur en de pedaalset niet goed werken of niet goed gekalibreerd lijken te zijn:**

zet de console uit en koppel alle aansluitingen van het stuur los. Sluit daarna alle kabels weer aan, inclusief de voedingskabel en de pedaalset, en herstart de console en de game.

## INTERNE TEMPERATUURSENSOR

Het stuur wordt gekoeld door een koellichaam en een ventilator.

- De temperatuur van het stuur wordt continu gemeten door een thermostaat.
- Wanneer het stuur wordt gebruikt in een game:
  - Het stuur wordt warm en zodra een bepaalde temperatuur is bereikt, slaat de koelventilator aan (na enkele minuten gamen en afhankelijk van de intensiteit van de Force Feedback-effecten).
  - De intensiteit van de Force Feedback-effecten neemt automatisch af als het stuur erg warm wordt (om de motor te beschermen). De intensiteit van deze effecten neemt automatisch toe zodra de temperatuur weer iets zakt.
- Na gebruik van het stuur loopt de temperatuur slechts langzaam terug en zal de koelventilator blijven draaien totdat de gewenste lagere temperatuur is bereikt. De koeling van het racestuur is op deze wijze ontworpen om alle onderdelen maximaal te beschermen (het nakoelen kan 5 - 45 minuten duren, afhankelijk van de tijdens het gamen bereikte temperatuur).

## MODE-KNOP EN INDICATOR (6)

### MODE-knop voor de pedaalset

Op de pedaalset is het mogelijk de functie van het koppelingspedaal en het gaspedaal te verwisselen.

Dit doet u door de MODE-knop (6) twee seconden ingedrukt te houden.

De door u ingestelde functie van de pedalen wordt opgeslagen in het interne geheugen van het racestuur.

GASPEDAAL EN KOPPELINGSPEDAAL	Kleur van de MODE-indicator (6)
NORMAAL	ROOD
VERWISSELD	GROEN

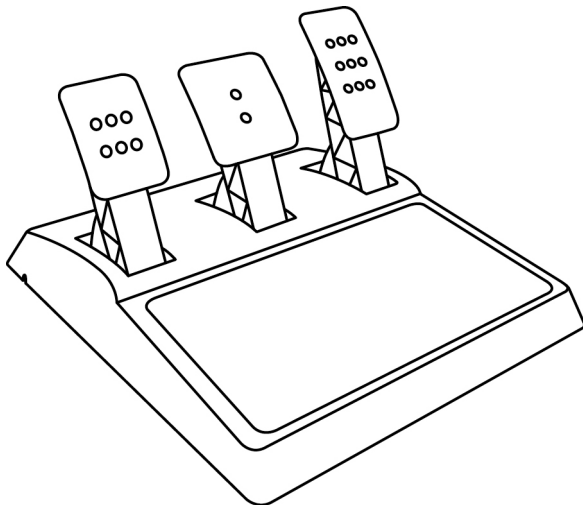
### Meer functies van de MODE-knop

Meer informatie over de MODE-knop en de indicator vindt u op <http://support.thrustmaster.com>. Klik op **Racesturen / T300 RS** en selecteer vervolgens **Handleiding** of **FAQ**.

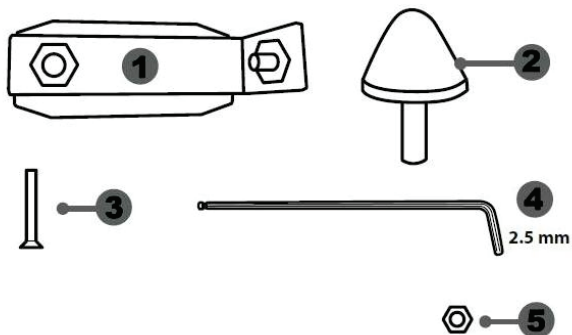
## HELPBESTANDEN EN FAQs (NIET OPGENOMEN IN DEZE HANDLEIDING)

Ga naar <http://support.thrustmaster.com>. Klik op **Racesturen / T300 RS** en selecteer vervolgens **Handleiding** of **FAQ**.

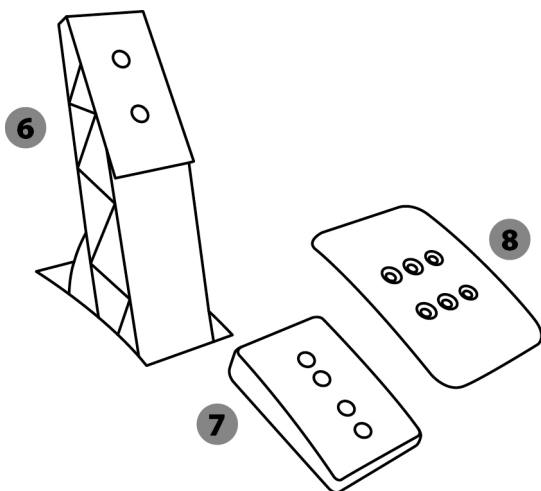
# T3PA – GT EDITION-PEDAALSET



## TECHNISCHE KENMERKEN



- 1 Metalen steun voor conische begrenzer  
(niet geïnstalleerd bij levering)
- 2 Conische begrenzer
- 3 Bevestigingsbout voor metalen steun
- 4 2,5 mm inbussleutel (meegeleverd)
- 5 Afstelmoer voor conische begrenzer



- 6 Pedaalarm
- 7 Kunststof pedaalsteun
- 8 Metalen pedaal



## WAARSCHUWING

Lees, voordat u dit product gebruikt, dit document zorgvuldig door en bewaar het om eventueel op een later tijdstip te kunnen raadplegen.



Voor uw en andermans veiligheid mag de pedaalsset nooit worden gebruikt op blote voeten of met alleen sokken aan.

**THRUSTMASTER® WIJST ELKE VERANTWOORDELIJKHEID AF IN GEVAL VAN LETSEL ALS GEVOLG VAN HET GEBRUIK VAN DE PEDAALSET ZONDER SCHOENEN AAN.**



### Waarschuwing — Pedaalsset beknellingsgevaar tijdens gamen

- \* Houd de pedaalsset buiten het bereik van kinderen.
- \* Zorg tijdens gebruik dat vingers of duimen nooit in de buurt van of op de zijanten van de pedalen komen.
- \* Zorg tijdens gebruik dat vingers of duimen nooit in de buurt van of op de achterzijde van de pedalen komen.
- \* Zorg tijdens gebruik dat vingers of duimen nooit in de buurt van of op de voorzijde van de pedalen komen.

NOOIT



NOOIT



NOOIT



## AUTOMATISCHE KALIBRATIE VAN PEDALEN



### **BELANGRIJK:**

- Om kalibratieproblemen te vermijden, mag u de pedaalsset nooit aansluiten op of loskoppelen van de voet van het stuur wanneer het stuur is verbonden met het PS3™ of PS4™ systeem, of tijdens het gamen.
- Sluit de pedaalsset altijd eerst aan op het stuur voordat u het stuur aansluit op het PS3™ of PS4™ systeem.
- Zodra het stuur zichzelf heeft gekalibreerd en de game is gestart, kalibreren de pedalen zichzelf automatisch nadat ze enkele malen zijn ingetrapt.
- Om kalibratieproblemen te vermijden, mag u nooit op de pedalen trappen wanneer het stuur bezig is met zelfkalibratie of wanneer de game aan het opstarten is,
- Als de pedalen niet correct werken of niet correct gekalibreerd lijken te zijn, schakel dan de console uit, koppel het stuur volledig los, sluit alle kabels weer aan (inclusief de voedingskabel en de pedaalssetkabel) en start de console en de game opnieuw op.

## DE PEDAALSET AAN EEN COCKPIT BEVESTIGEN

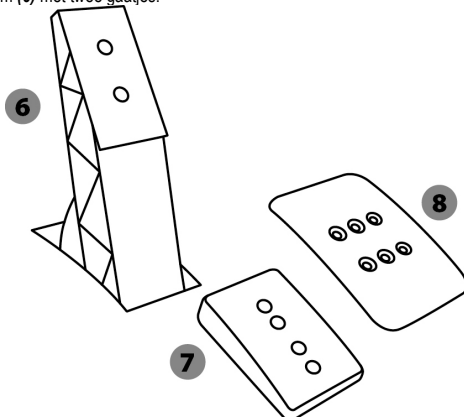
- Bevestig de pedaalsset met behulp van de kleine schroefdraden onderop de pedaalsset.
- Schroef twee M6-boutjes (niet meegeleverd) in de pedaalsteunplaat van de cockpit en in de twee kleine schroefdraden onderop de pedaalsset.

**Belangrijk:** om beschadiging van de interne onderdelen van de pedaalsset te voorkomen, mogen de twee M6-boutjes niet langer zijn dan de dikte van de pedaalsteunplaat van de cockpit plus een extra 10 mm.

## DE PEDAALSET VERSTELLEN

Elk van de drie pedalen bestaat uit:

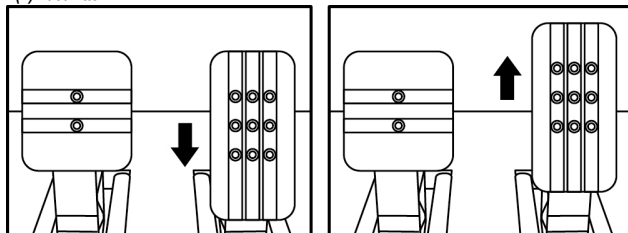
- Een metalen pedaal (8) met een aantal gaatjes (negen voor het gaspedaal, twee voor het rempedaal en zes voor het koppelingspedaal).
- Een kunststof tussenstuk (7) (wordt geplaatst tussen het pedaal en de arm van het pedaal) met vier gaatjes.
- Een pedaalarm (6) met twee gaatjes.



**LET OP:** om kalibratieproblemen te vermijden, moet u altijd de USB-kabel tussen stuur en PS3™ of PS4™ systeem loskoppelen voordat u de pedaalset verstelt.

### De HOOGTE van een pedaal afstellen

- Draai met behulp van de meegeleverde 2,5 mm inbussleutel (4) de twee boutjes los waarmee het pedaal (8) en de steun (7) vast zitten.
- Kies de gewenste pedaalhoogte en zet de twee boutjes weer vast waarmee het pedaal (8) en de steun (7) vast zitten.



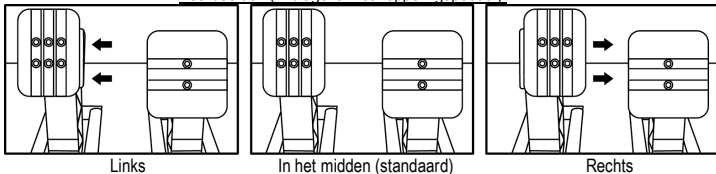
Lage stand (standaard)

Hoge stand

## De RUIMTE afstellen

- Draai met behulp van de meegeleverde 2,5 mm inbussleutel (4) de twee boutjes los waarmee het pedaal (8) en de steun (7) vast zitten.
- Kies de gewenste pedaalstand (naar links, in het midden of naar rechts) en zet de twee boutjes weer vast waarmee het pedaal (8) en de steun (7) vast zitten.

Voorbeelden (in dit geval het koppelingspedaal):



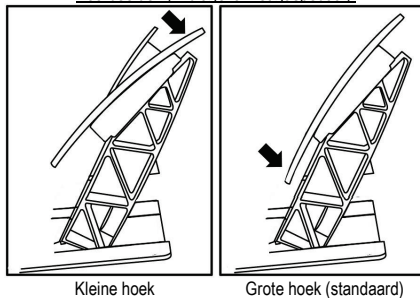
Aantal mogelijke standen van een pedaal:

- Drie voor gaspedaal
- Drie voor koppelingspedaal

## De HOEK van een pedaal afstellen

- Draai met behulp van de meegeleverde 2,5 mm inbussleutel (4) de twee boutjes los waarmee het pedaal (8) en de steun (7) vast zitten.
- Draai de kunststof steun (7) 180° om en zet de twee boutjes weer vast waarmee het pedaal (8) en de steun (7) vast zitten.

Voorbeelden (in dit geval het gaspedaal):



Aantal mogelijke hoekstanden van een pedaal:

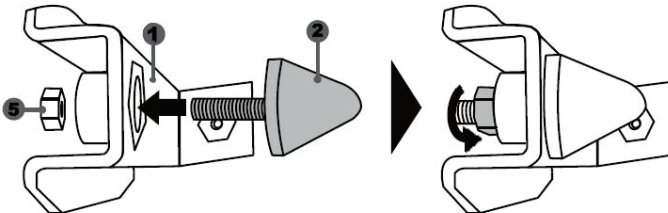
- Twee voor gaspedaal
- Twee voor rempedaal
- Twee voor koppelingspedaal

## De conische begrenzer monteren ("CONICAL RUBBER BRAKE" mod)

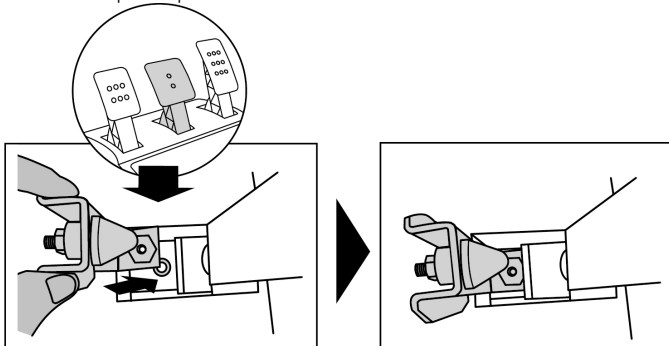
*Deze modificatie (of "mod") is niet noodzakelijk en is af fabriek niet gemonteerd. Dit betekent dat het rempedaal ook perfect functioneert als deze mod niet is gemonteerd.*

*Als u deze mod wel monteert, krijgt u een ander gevoel in het rempedaal.  
Het wel of niet monteren van deze begrenzer is dus een kwestie van voorkeur.*

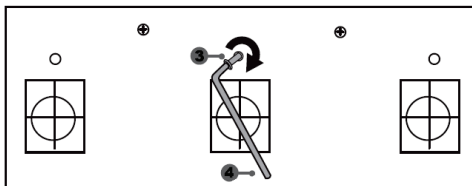
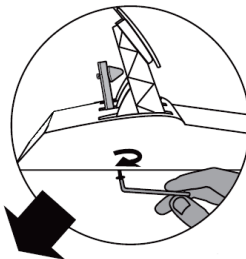
- Schroef de conische begrenzer (2) op de metalen steun (1).
- Schroef de afstelmoer (5) op de schroefdraad van de conische begrenzer.



- Plaats de unit achterop de rempedaalarm.



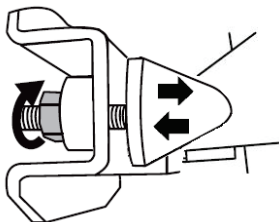
- Gebruik de meegeleverde 2,5 mm inbussleutel (4) om de unit te monteren met het bevestigingsboutje (3) en de kleine centrale schroefdraad onderop de pedaalset.



*De "CONICAL RUBBER BRAKE" mod is nu gemonteerd*

## De SLAG en WEERSTAND van het rempedaal afstellen

Als u meer weerstand in het rempedaal wilt, draait u de moer (5) iets los en plaatst u de begrenzer (2) iets dichterbij het rempedaal (gebruik indien nodig een 14 mm steek- of ringsleutel, of een tang om de moer opnieuw vast te draaien en de gewenste stand te fixeren). Hoe dichterbij de begrenzer onder het rempedaal ligt, hoe meer weerstand u voelt bij het remmen.



**Opmerking:** als u de begrenzer heel dicht onder het rempedaal afstelt, wordt het mogelijk lastig om de maximale kalibratiewaarde te bereiken. Mocht dit het geval zijn:

- \* Trap het rempedaal langzaam maar heel stevig in om de maximale waarde te bereiken (ga indien nodig even heel kort (een seconde) op het pedaal staan) en laat dan het pedaal weer omhoog komen, of
- \* Zet de conische begrenzer iets verder weg van de arm van het rempedaal.

## **Informatie met betrekking tot kopersgarantie**

Wereldwijd garandeert Guillemot Corporation S.A., het statutair adres gevestigd aan de Place du Granier, B.P. 97143, 35571 Chantepie, Frankrijk, (hierna te noemen "Guillemot") aan de koper dat dit Thrustmaster-product vrij zal zijn van materiaal- en fabricagefouten gedurende een garantieperiode gelijk aan de tijd maximaal vereist om een restitutie/vervanging voor dit product te claimen. In landen van de Europese Unie komt dit overeen met een periode van twee (2) jaar vanaf het moment van levering van het Thrustmaster-product. In andere landen komt de garantieperiode overeen met de tijd maximaal vereist om een restitutie/vervanging voor dit Thrustmaster-product te claimen zoals wettelijk is vastgelegd in het land waarin de koper woonachtig was op de datum van aankoop van het Thrustmaster-product. Indien een dergelijk claimrecht niet wettelijk is vastgelegd in het betreffende land, geldt een garantieperiode van één (1) jaar vanaf datum aankoop van het Thrustmaster-product.

Indien u in de garantieperiode een defect meent te constateren aan dit product, neem dan onmiddellijk contact op met Technical Support die u zal informeren over de te volgen procedure. Als het defect wordt bevestigd, dient het product te worden geretourneerd naar de plaats van aankoop (of een andere locatie die wordt opgegeven door Technical Support).

Binnen het gestelde van deze garantie wordt het defecte product van de koper gerepareerd of vervangen, zulks ter beoordeling van Technical Support. Indien het Thrustmaster-product tijdens de garantieperiode is onderworpen aan een dergelijk herstel, wordt elke periode van ten minste zeven (7) dagen waarin het product niet in gebruik is, opgeteld bij de resterende garantieperiode (deze periode loopt vanaf de datum van verzoek van de consument voor interventie of vanaf de datum waarop het product in kwestie beschikbaar is gesteld voor herstel als de datum waarop het product ter beschikking wordt gesteld voor herstel later is dan de datum van het verzoek om interventie). Indien toegestaan door van toepassing zijnde wetgeving, beperkt de volledige aansprakelijkheid van Guillemot en haar dochterondernemingen (inclusief de aansprakelijkheid voor vervolgschade) zich tot het repareren of vervangen van het Thrustmaster-product. Indien toegestaan door van toepassing zijnde wetgeving, wijst Guillemot elke garantie af met betrekking tot verhandelbaarheid of geschiktheid voor enig doel.

Deze garantie is niet van kracht: (1) indien het product aangepast, geopend of gewijzigd is, of beschadigd is ten gevolge van oneigenlijk of onvoorzichtig gebruik, verwaarlozing, een ongeluk, normale slijtage, of enige andere oorzaak die niet gerelateerd is aan een materiaal- of fabricagefout (inclusief maar niet beperkt tot het combineren van het Thrustmaster-product met enig ongeschikt element waaronder in het bijzonder voedingsadapters, oplaadbare batterijen, opladers of enig ander element niet geleverd door Guillemot voor dit product); (2) als het product is gebruikt voor enig ander doel dan thuisgebruik, zoals maar niet exclusief een professioneel of commercieel doel (bijvoorbeeld game rooms, training, wedstrijden); (3) indien u zich niet houdt aan de instructies zoals verstrekt door Technical Support; (4) op software die onder een specifieke garantie valt; (5) op verbruiksartikelen (elementen die tijdens de levensduur van het product worden vervangen zoals bijvoorbeeld batterijen of pads van een headset of koptelefoon); (6) op accessoires (zoals bijvoorbeeld kabels, behuizingen, hoesjes, etui's, draagtassen of polsbandjes); (7) indien het product werd verkocht op een openbare veiling.

Deze garantie is niet overdraagbaar.

De wettelijke rechten van de koper die in zijn/haar land van toepassing zijn op de verkoop van consumentproducten worden op generlei wijze door deze garantie beperkt.

### **Aanvullende garantiebepalingen**

Gedurende de garantieperiode zal Guillemot in principe nooit reserveonderdelen leveren omdat Technical Support de enige partij is die bevoegd is een Thrustmaster-product te openen en/of te herstellen (met uitzondering van een herstelprocedure die de klant door Technical Support gevraagd wordt uit te voeren met behulp van schriftelijke instructies – omdat deze procedure bijvoorbeeld eenvoudig is en het herstelproces niet vertrouwelijk is – en door het verstrekken aan de consument van de benodigde onderdelen, indien van toepassing).

Gezien de innovatiecycli en om haar knowhow en handelsgeheimen te beschermen, zal Guillemot in principe nooit een herstelbeschrijving of reserveonderdelen verstrekken voor een Thrustmaster-product waarvan de garantieperiode is verstreken.

### **Aansprakelijkheid**

Indien toegestaan door van toepassing zijnde wetgeving, wijzen Guillemot Corporation S.A. (hierna te noemen "Guillemot") en haar dochterondernemingen alle aansprakelijkheid af voor enige schade veroorzaakt door één van de volgende oorzaken: (1) indien het product aangepast, geopend of gewijzigd is; (2) de montage-instructies niet zijn opgevolgd; (3) oneigenlijk of onvoorzichtig gebruik, verwaarlozing, een ongeluk (bijvoorbeeld stoten); (4) normale slijtage; (5) het gebruik van het product voor enig ander doel dan thuisgebruik, zoals maar niet exclusief een professioneel of commercieel doel (bijvoorbeeld game rooms, training, wedstrijden). Indien toegestaan onder van toepassing zijnde wetgeving, wijzen Guillemot en haar dochterondernemingen alle aansprakelijkheid af voor enige schade aan dit product niet gerelateerd aan een materiaal- of fabricagefout (inclusief maar niet beperkt tot enige schade direct of indirect veroorzaakt door enige software, of door het combineren van het Thrustmaster-product met enig ongeschikt element waaronder in het bijzonder voedingsadapters, oplaadbare batterijen, opladers of enig ander element niet geleverd door Guillemot voor dit product).

**THRUSTMASTER®**

TECHNISCHE ONDERSTEUNING

<http://support.thrustmaster.com>





## COPYRIGHT

© 2017 Guillemot Corporation S.A. Alle rechten voorbehouden. Thrustmaster® is een geregistreerd handelsmerk van Guillemot Corporation S.A.

Gelicenseerd voor verkoop in Europa, Afrika, Midden-Oosten, Rusland, India en Oceanië. Voor exclusief gebruik met PlayStation®3 en PlayStation®4.

Alle andere handelsmerken zijn het eigendom van hun respectieve eigenaren. Afbeeldingen zijn niet bindend. Inhoud, ontwerp en specificaties kunnen zonder kennisgeving vooraf worden gewijzigd en kunnen per land verschillen. Geproduceerd in China.

Geproduceerd en gedistribueerd door Guillemot Corporation S.A.

## AANBEVELINGEN VOOR DE BESCHERMING VAN HET MILIEU



In de Europese Unie: Gooi dit product na het einde van de levensduur niet weg met het normale afval, maar breng het naar het door uw gemeente aangewezen inzamelpunt voor elektrische en/of computerapparatuur.

Ter herinnering is hiertoe op het product, de gebruikshandleiding of de verpakking een symbool aangebracht.

De meeste materialen kunnen worden gerecycled. Door recycling en andere methoden voor verantwoorde verwerking van afgedankte elektrische en elektronische apparaten kunt u een belangrijke bijdrage leveren aan de bescherming van het milieu.

Neem contact op met uw gemeente voor informatie over een inzamelpunt bij u in de buurt.

In alle andere landen: houd u aan de plaatselijk milieuwetgeving voor elektrische en elektronische apparaten.

Bewaar deze informatie. De kleuren en decoraties kunnen variëren.

Plastic bevestigingen en hechtmaterialen moeten van het product worden verwijderd voordat het wordt gebruikt.

[www.thrustmaster.com](http://www.thrustmaster.com)

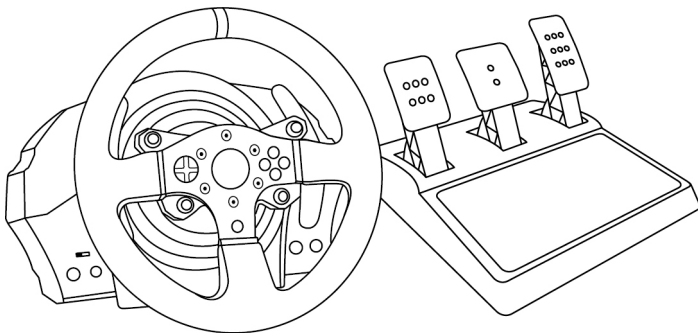
*\*Alleen van toepassing in de EU en Turkije*



# T300RS

## GT Edition

Manuale d'uso



### **ATTENZIONE:**

Per far sì che il tuo T300 funzioni correttamente con i giochi, potrebbe rendersi necessario installare gli aggiornamenti automatici dei giochi (disponibili nel momento in cui il tuo sistema viene collegato a internet).

ENGLISH

FRANÇAIS

DEUTSCH

NEDERLANDS

ITALIANO

ESPAÑOL

PORTUGUÊS

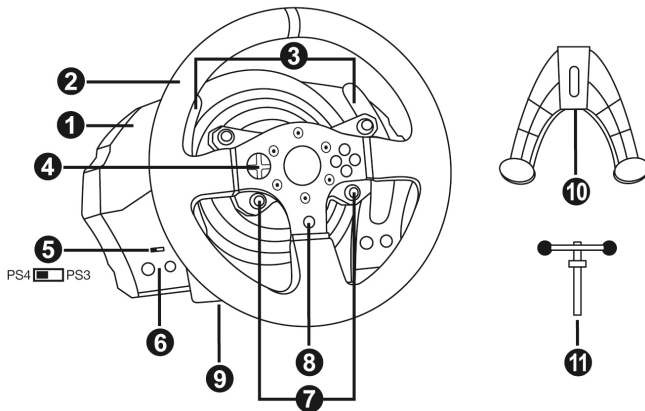
РУССКИЙ

ЕЛМННКА

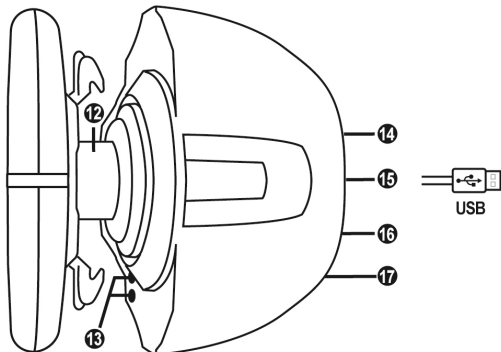
TÜRKÇE

POLSKI

## CARATTERISTICHE TECNICHE



- |   |  |
|---|--|
| <p>1 Base T300 RS</p> <p>2 Volante T300 GT</p> <p>3 2 leve del cambio sequenziali (Up e Down)</p> <p>4 D-Pad multidirezionale</p> <p>5 Selettore USB integrato per PS4™/PS3™</p> <p>6 Pulsante MODE + spia luminosa rosso/verde</p> | <p>7 Pulsanti SELECT/START su PS3™ e SHARE/OPTIONS su PS4™</p> <p>8 Pulsante PS</p> <p>9 Ampio foro filettato (per sistema di aggancio e vite di fissaggio)</p> <p>10 Sistema di aggancio</p> <p>11 Vite di fissaggio in metallo</p> |
|---|--|



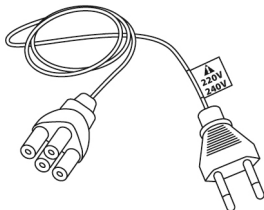
- |   |   |
|---|---|
| <p>12 Thrustmaster Quick Release</p> <p>13 Pulsanti L3/R3</p> <p>14 Connettore di alimentazione (tipo A o B)<br/>(varia da una nazione all'altra)</p> | <p>15 Cavo USB e connettore del volante</p> <p>16 Connettore per cambio<br/>(cambio venduto separatamente)</p> <p>17 Connettore pedaliera</p> |
|---|---|

## COLLEGARE IL VOLANTE A UNA PRESA DI CORRENTE: SI PREGA DI LEGGERE ATTENTAMENTE PRIMA DI PROCEDERE!

L'alimentatore del tuo volante varia a seconda della nazione in cui hai acquistato la tua periferica.  
L'alimentazione potrebbe essere:

### Interna, con:

- \* Un alimentatore collocato direttamente nella base del volante, con un connettore tipo A
  - \* Un cavo di alimentazione da 220-240V
- = compatibile solo con correnti elettriche a 220-240V.

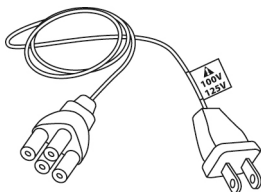


**Non collegare mai il cavo da 220-240V a una presa elettrica a 100-130V!**  
**Non collegare mai questo cavo a un adattatore!!!**



### Interna, con:

- \* Un alimentatore collocato direttamente nella base del volante, con un connettore tipo A
  - \* Un cavo di alimentazione da 100-125V
- = compatibile solo con correnti elettriche a 100-125V.



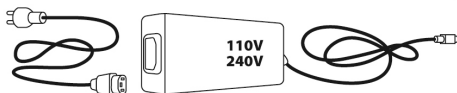
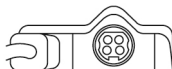
**Non collegare mai il cavo da 100-125V a una presa elettrica a 220-240V!!!**  
**Non collegare mai questo cavo a un adattatore!!!**



**IMPORTANTE: se non conosci il voltaggio della corrente elettrica presente nell'area in cui stai utilizzando il tuo volante, ti invitiamo a contattare il tuo fornitore di energia elettrica.**

### Esterna, con:

- \* Un alimentatore esterno, con un connettore tipo B.
  - \* Un cavo di alimentazione.
- = compatibile con tutti i tipi di voltaggio, da 110 a 240 V.



## ATTENZIONE

Prima di utilizzare questo prodotto, ti invitiamo a leggere con attenzione il presente documento e a conservare quest'ultimo in caso avessi bisogno di consultarlo nuovamente.



### **Attenzione – Shock elettrico**

- \* Conserva questo prodotto in un luogo asciutto e non esporlo alla polvere o alla luce del sole.
- \* Non torcere e non tirare i connettori e i cavi.
- \* Non versare liquidi sul prodotto o sui relativi connettori.
- \* Non cortocircuitare il prodotto.
- \* Non smontare questo prodotto; non gettarlo nel fuoco e non esporlo alle alte temperature.
- \* Non usare un altro cavo di alimentazione oltre a quello fornito assieme al tuo volante.
- \* Non utilizzare il cavo di alimentazione qualora quest'ultimo o i connettori dovessero risultare danneggiati, divisi o rotti.
- \* Assicurati che il cavo di alimentazione si ben inserita in una presa di corrente e correttamente connesso al connettore presente nella parte posteriore della base del volante.
- \* Non aprire il volante: all'interno non vi sono componenti utili all'utente. Qualunque riparazione dovrà essere effettuata dal produttore, da un suo rappresentante autorizzato o da un tecnico qualificato.
- \* Usa unicamente sistemi di fissaggio/ accessori indicati dal produttore.
- \* Qualora il volante non dovesse funzionare correttamente (se dovesse generare un qualunque suono inusuale, calore o odori), smetti immediatamente di utilizzarlo, scollega il cavo di alimentazione dal relativo connettore e scollega tutti gli altri cavi.
- \* Se pensi di non dover utilizzare il volante per un lungo periodo di tempo, scollega l'alimentatore dalla presa di corrente.



### **Prese d'aria**

Accertati di non ostruire nessuna delle prese d'aria presenti nella base del volante. per una ventilazione ottimale, attieniti alle seguenti indicazioni:

- \* Colloca la base ad almeno 10cm di distanza dal muro.
- \* Non collocare la base in uno spazio angusto.
- \* Non coprire la base.
- \* Non lasciare che la polvere penetri nella prese d'aria.



**Per motivi di sicurezza, non utilizzare mai la pedaliera a piedi nudi o indossando solamente i calzini.**

**THRUSTMASTER® DECLINA OGNI RESPONSABILITÀ IN CASO DI INFORTUNI DERIVANTI DALL'USO DELLA PEDALIERA SENZA SCARPE.**



### **Attenzione – Infortuni derivanti dal force feedback e dai movimenti ripetuti**

Giocare con un volante force-feedback potrebbe causare dolori muscolari o articolari. Per evitare qualsiasi problema:

- \* Evita di giocare per lunghi periodi di tempo.
- \* Prenditi 10-15 minuti di pausa per ogni ora di gioco.
- \* Qualora dovessi avvertire fatica o dolore a mani, polsi, braccia, piedi o gambe, smetti di giocare e riposati per alcune ore prima di ricominciare a giocare.



### **Attenzione – Infortuni derivanti dal force feedback e dai movimenti ripetuti (seguito)**

- \* Qualora i sintomi o il dolore sopradescritti dovessero persistere anche quando ricominci a giocare, smetti di giocare e consulta il tuo medico.
- \* Tenere lontano dalla portata dei bambini.
- \* Nei giochi, mantieni sempre le mani sul volante in posizione corretta, senza mai lasciarlo andare completamente.
- \* Mentre giochi, non infilare mai le tue mani o le tue dita sotto ai pedali o in una qualunque posizione nei pressi della pedaliera.
- \* Durante la calibrazione e mentre giochi, non infilare mai la tua mano o il tuo braccio attraverso le aperture del volante.
- \* Assicurati che la base del volante sia ben fissata, così come indicato dalle istruzioni nel presente manuale.



Prodotto maneggiabile solo da utenti con un'età minima di 16 anni

### **PRODOTTO PESANTE**



Fai attenzione a non far cadere il prodotto addosso a te o a chiunque altro!

**SEMPRE**



**MAI**



**MAI**





### **Attenzione – Rischio di schiacciamento da pedaliera mentre giochi**

- \* Tieni la pedaliera lontana dai bambini.
- \* Mentre giochi, non appoggiare mai le tue dita sui pedali o nelle immediate vicinanze.
- \* Mentre giochi, non appoggiare mai le tue dita sulla base posteriore dei pedali o nelle immediate vicinanze.
- \* Mentre giochi, non appoggiare mai le tue dita sulla base anteriore dei pedali o nelle immediate vicinanze.



### **Attenzione – Rischio di schiacciamento da pedaliera quando non giochi**

- \* Conserva la pedaliera in un posto sicuro e tienila lontana dalla portata dei bambini.

## **AGGIORNARE IL FIRMWARE DEL TUO VOLANTE**

Il firmware presente nella base del tuo volante può essere aggiornato ad una versione più recente, per apportare migliorie al prodotto.

Per visualizzare la versione del firmware attualmente presente nel tuo volante e, se necessario, aggiornarla: su PC, collegati al sito <http://support.thrustmaster.com>. Clicca su **Volanti / T300 RS**, dopodiché seleziona **Firmware** e segui le istruzioni per la procedura di scaricamento e installazione.

#### **Nota importante:**

**Su PC, il selettore USB (5) della base del volante deve essere sempre in posizione PS3™.**

## INSTALLARE IL VOLANTE SULLA SUA BASE

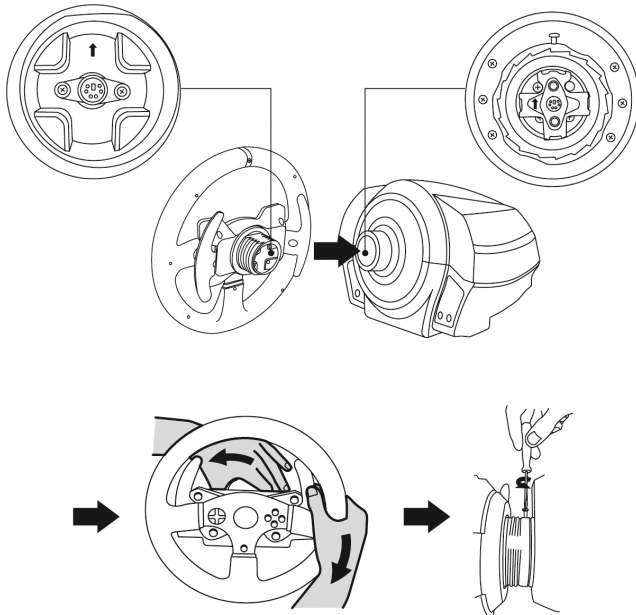
Allinea correttamente i connettori utilizzando le frecce:

**Connettore della base (1):** freccia rivolta verso l'alto

**Connettore del volante (2):** freccia rivolta verso l'alto

Dopo aver correttamente posizionato i connettori, non devi far altro che ruotare in senso antiorario l'anello del sistema Thrustmaster Quick Release (12), tenendo il volante (2) fermo in posizione.

Dopodiché, stringi l'anello più a fondo che puoi; per far questo, tieni l'anello in posizione e ruota il volante in senso orario.



Dopo aver installato il volante, ruotalo di 180° (guardando il volante, il logo GT deve apparire ribaltato) per accedere alla piccola vite di fissaggio presente sull'anello del sistema Thrustmaster Quick Release (12). Utilizzando un grande cacciavite Phillips, stringi la piccola vite di fissaggio (senza usare troppa forza), facendola ruotare in senso orario.



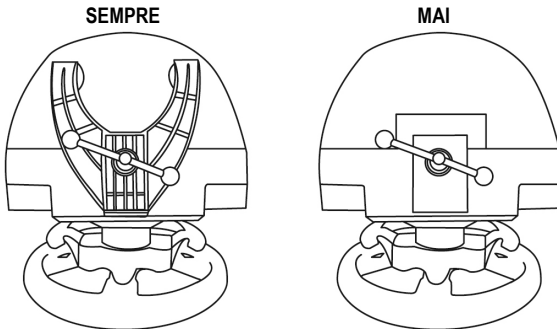
**NON utilizzare troppa forza per stringere la piccola vite di fissaggio (con un cacciavite Phillips)!**  
**Smetti di avvertirla non appena avverti un po' di resistenza.**



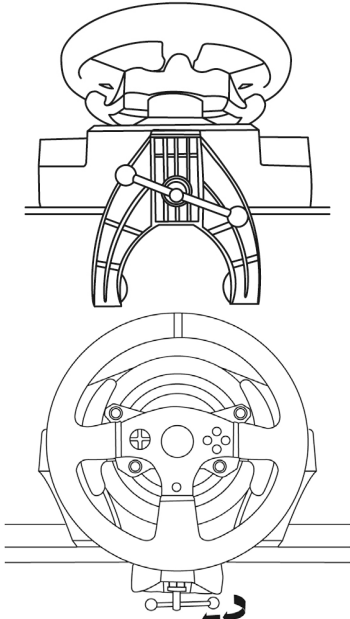
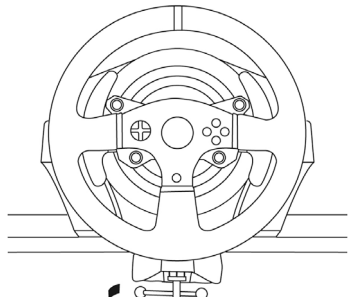
## FISSARE IL VOLANTE

### Fissare il volante a un tavolo o a una scrivania

1. Colloca il volante su un tavolo o su qualsiasi altra superficie piana, orizzontale e stabile.
2. Inserisci la vite di fissaggio **(11)** nel sistema di aggancio **(10)**, dopodiché blocca la periferica ruotando la vite in senso antiorario, in modo tale che questa penetri nell'ampio foro filettato **(9)** presente nella parte inferiore del volante, finché il volante non risulti perfettamente stabile.



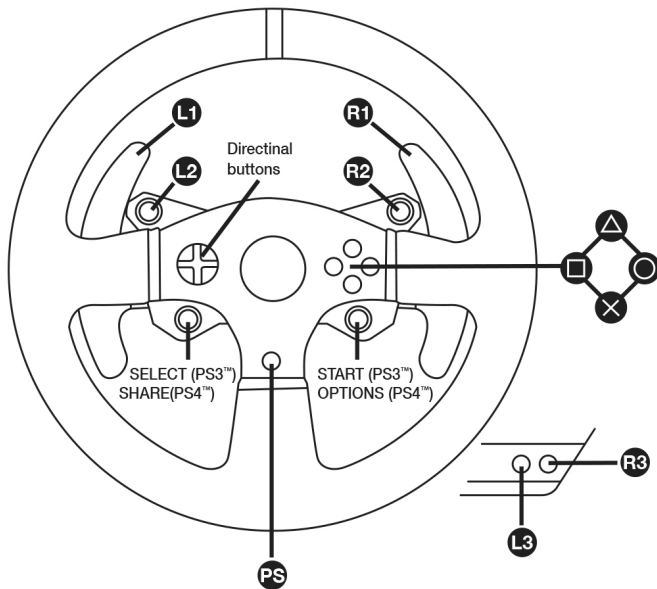
**ATTENZIONE:** Non stringere mai la vite da sola, senza il sistema di aggancio!  
(Ciò potrebbe danneggiare il volante.)

AGGANCIO / RIMOZIONE	DIREZIONE
<p><b><u>Per stringere:</u></b></p> <p><i>Gira la vite in senso antiorario</i></p>	
<p><b><u>Per allentare:</u></b></p> <p><i>Gira la vite in senso orario</i></p>	

## Aggianciare la base del volante ad un abitacolo

1. Colloca la base del volante sul piano dell'abitacolo.
2. Fai passare due viti tipo M6 (non incluse) attraverso il piano dell'abitacolo, quindi avvitalo nei due fori per le viti presenti nella parte posteriore del volante.  
*Importante: la lunghezza delle due viti tipo M6 non dovrà superare lo spessore del piano + 12 mm; viti più lunghe potrebbero danneggiare le componentistiche presenti all'interno della base del volante.*
3. Se necessario, stringi il sistema di aggancio standard inserendo la vite di fissaggio nell'apposito ampio foro filettato.

## MAPPATURA SU PLAYSTATION®3 E PLAYSTATION®4



## INSTALLARE IL VOLANTE SU PLAYSTATION®3 O PLAYSTATION®4

1. Collega la pedaliera al connettore (17) presente nella parte posteriore della base del volante.
2. Collega il cavo di alimentazione al connettore (14) presente nella parte posteriore della base del volante.
3. Collega il cavo di alimentazione a una presa di corrente, rispettando le indicazioni sul voltaggio elettrico.



*Per ulteriori informazioni su questo punto, consulta il capitolo COLLEGARE IL VOLANTE A UNA PRESA DI CORRENTE, a pagina 3 del presente manuale.*

4. Sposta il selettore USB (5) della base del volante in posizione PS3™ o PS4™, in base alla console o al gioco utilizzato.
5. Collega il connettore USB del volante (15) ad una delle porte USB della console.
6. Una volta accesa la tua console, il tuo volante si calibrerà automaticamente.
7. Su PlayStation®4 (con il selettore USB in posizione PS4™): per poter utilizzare il volante, premi il pulsante PS del volante (8) e accedi al tuo account Sony Entertainment Network.

***Ora sei pronto/a per giocare!***

### **Note importanti:**

- Prima di collegare il cavo USB del volante alla console, il selettore USB (5) presente sulla base del volante dovrà sempre trovarsi nella corretta posizione (PS3™ o PS4™). Per cambiare la posizione del selettore, scollega il cavo USB dalla console e cambia la posizione del selettore prima di ricollegare il cavo USB alla console.
- Su PlayStation®3, il selettore USB (5) dovrà sempre trovarsi in posizione PS3™:
  - \* Nella maggior parte dei giochi, il volante verrà riconosciuto come un volante T500RS.
  - \* Il volante funziona con i giochi compatibili e nei menu della console.
  - \* La funzione "PS" è attiva sul volante.
- Su PlayStation®4, con il selettore USB (5) in posizione PS3™:
  - \* Nella maggior parte dei giochi, il volante verrà riconosciuto come un volante T500RS.
  - \* Il volante funziona con i giochi compatibili, ma non nei menu della console.
  - \* Le funzioni "SHARE" e "PS" non funzionano sul volante.
- Su PlayStation®4, con il selettore USB (5) in posizione PS4™:
  - \* Per poter utilizzare il volante, ricordati di premere il pulsante PS del volante (8).
  - \* Nella maggior parte dei giochi, il volante verrà riconosciuto come un volante T300 RS.
  - \* Il volante funziona con i giochi compatibili e nei menu della console.
  - \* Le funzioni "SHARE" e "PS" sono attive sul volante.
- L'elenco dei giochi per PlayStation®3 e PlayStation®4 compatibili con il T300 RS (oltre alla posizione del selettore USB (5) richiesta per i vari giochi) è disponibile sul sito:  
<http://support.thrustmaster.com>  
(clicca su Volanti / T300 RS / Impostazioni giochi).  
Questo elenco viene aggiornato regolarmente.

## CONFIGURAZIONE DEL VOLANTE PER PC\*

\*Compatibilità PC non testata e non approvata da Sony Interactive Entertainment Europe.

Per maggiori informazioni, collegati al sito <http://support.thrustmaster.com>.

### CALIBRAZIONE AUTOMATICA DI VOLANTE E PEDALIERA

Il volante si calibra automaticamente nel momento in cui colleghi il volante alla rete elettrica e inserisci nella console il connettore USB del volante.

Durante questa fase, il volante si muoverà rapidamente a destra e a sinistra, coprendo un angolo di 1080 gradi, prima di fermarsi in posizione centrale.



#### **ATTENZIONE:**

**Non toccare mai il volante durante la fase di auto-calibrazione!**  
*(Ciò potrebbe causare un'errata calibrazione e/o infortuni personali.)*

### CALIBRAZIONE AUTOMATICA DELLA PEDALIERA

Non collegare mai la pedaliera alla base del volante (né scollegarla mai dalla base) mentre il volante è collegato alla console o durante i giochi (ciò potrebbe causare un'errata calibrazione).

Collega sempre la pedaliera prima di collegare il volante alla console.

Una volta completata la calibrazione del volante e avviato il gioco, i pedali si auto-calibreranno dopo averli premuti alcune volte.



#### **ATTENZIONE:**

**Non premere mai i pedali durante la fase di auto-calibrazione del volante o durante il caricamento di un gioco! (Ciò potrebbe causare un'errata calibrazione.)**

**Qualora il tuo volante e la tua pedaliera non funzionassero correttamente, o se la calibrazione dovesse apparirti errata:**

Spegni la tua console, scollega completamente il tuo volante, ricollega tutti i cavi (compresi il cavo di alimentazione e la pedaliera), quindi riavvia la tua console e il tuo gioco.

### SENSORE TEMPERATURA INTERNA

Il sistema di raffreddamento del volante è composto da un dissipatore e da una ventola.

- Un termostato monitora la temperatura interna del volante.
- Quando usi il volante in un gioco:
  - la ventola di raffreddamento si avvia nel momento in cui il volante ha raggiunto una data temperatura (dopo alcuni minuti di gioco, a seconda dell'intensità degli effetti the Force Feedback utilizzati).
  - la forza degli effetti Force Feedback diminuisce automaticamente all'aumentare della temperatura interna (per proteggere il motore). La potenza di tali effetti aumenta automaticamente non appena la temperatura dovesse calare leggermente.
- Quando smetti di giocare: a causa dell'inerzia termica del motore, la ventola continua a girare finché la temperatura non scende al di sotto del livello iniziale di avvio. Il tuo volante è stato così progettato per facilitare il raffreddamento e per proteggere il motore (questa operazione potrebbe durare da 5 a 45 minuti, a seconda della temperatura raggiunta durante l'uso del volante in un gioco).

## PULSANTE MODE E SPIA LUMINOSA (6)

### Pulsante MODE per la pedaliera

Potrai scambiare elettronicamente fra loro i pedali di acceleratore e frizione.

Per far questo, non devi far altro che tenere premuto il pulsante MODE (6) per 2 secondi.

Lo stato dell'attivazione dello scambio tra i pedali viene salvato nella memoria interna del volante.

PEDALI ACCELERATORE E FRIZIONE	Colore del led MODE (6)
NORMALI	ROSSO
SCAMBIATI	VERDE

### Altri consigli per il pulsante MODE

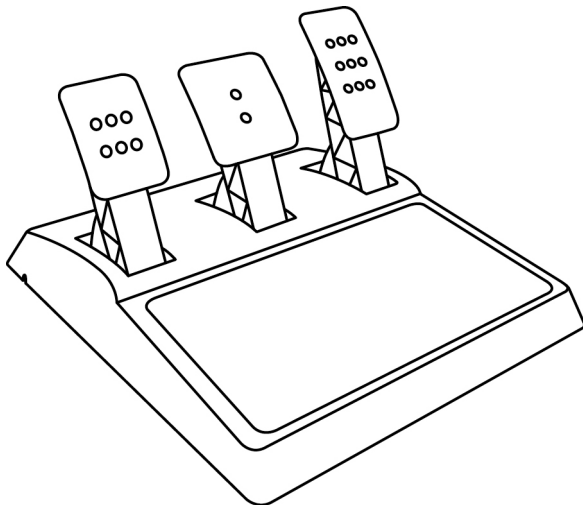
Per saperne di più sul pulsante e sul led MODE, consulta il sito <http://support.thrustmaster.com>.

Clicca su **Volanti / T300 RS**, quindi seleziona **Manuale** o **FAQ**.

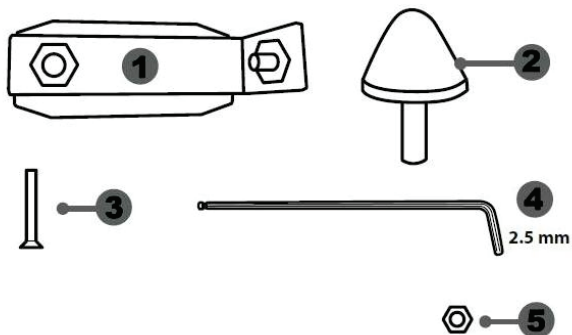
## FILE DI AIUTO E FAQ (NON INCLUSI NEL PRESENTE MANUALE)

Visita il sito <http://support.thrustmaster.com>. Clicca su **Volanti / T300 RS**, quindi seleziona **Manuale** o **FAQ**.

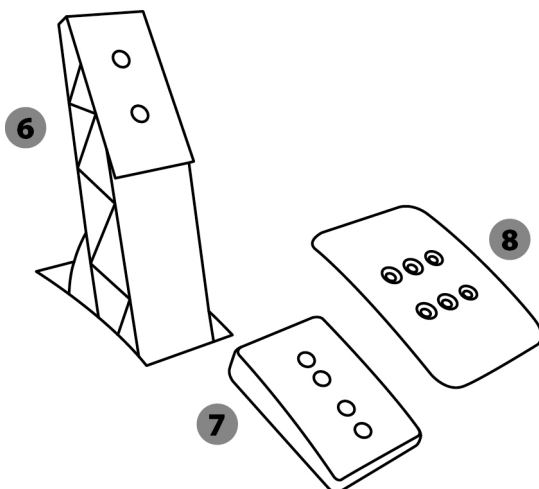
# PEDALIERA **T3PA – GT EDITION**



## CARATTERISTICHE TECNICHE



- 1 Supporto metallico per blocco conico  
(non preventivamente installato)
- 2 Blocco conico
- 3 Vite di fissaggio per supporto metallico
- 4 Chiave Allen da 2,5 mm (inclusa)
- 5 Dado di regolazione della posizione del blocco conico



- 6 Asta del pedale
- 7 Supporto copri-pedale in plastica
- 8 Copri-pedale in metallo



## ATTENZIONE

Prima di utilizzare questo prodotto, assicurati di leggere con attenzione il presente manuale, conservandolo per una futura consultazione.



Per ragioni di sicurezza, non utilizzare mai la pedaliera a piedi nudi o indossando unicamente dei calzini.

**THRUSTMASTER® DECLINA OGNI RESPONSABILITÀ IN CASO DI INFORTUNIO DERIVANTE DALL'USO DELLA PEDALIERA SENZA SCARPE.**



**Attenzione – Rischio di schiacciamento durante le sessioni di gioco con la pedaliera**

- \* Mantieni la pedaliera fuori dalla portata dei bambini.
- \* Durante le sessioni di gioco, non appoggiare mai le tue dita o i tuoi pollici sopra o vicino ai lati dei pedali.
- \* Durante le sessioni di gioco, non appoggiare mai le tue dita o i tuoi pollici sopra o vicino alla base posteriore dei pedali.
- \* Durante le sessioni di gioco, non appoggiare mai le tue dita o i tuoi pollici sopra o vicino alla base frontale dei pedali.

MAI



MAI



MAI



## CALIBRAZIONE AUTOMATICA DEI PEDALI



### **IMPORTANTE:**

- Per evitare problemi di calibrazione, non collegare o scollegare mai la base del volante quando questo è collegato al tuo sistema PS3™ o PS4™, oppure durante le sessioni di gioco.
- = Collega la pedaliera al volante sempre prima di collegare il volante al sistema PS3™ o PS4™.
- Dopo che il volante si sarà calibrato automaticamente e una volta avviato il gioco, i pedali si calibreranno automaticamente dopo essere stati premuti alcune volte.
- Per evitare problemi di calibrazione, non premere mai i pedali mentre il volante si sta auto-calibrando o mentre il tuo gioco si sta avviando.
- Se i pedali non dovessero funzionare correttamente o ti dovessero sembrare mal calibrati, spegni la tua console, scollega totalmente il volante, dopodiché ricollega tutti i cavi (compresi il cavo di alimentazione e il cavo della pedaliera), riaccendo la console e riavvia il tuo gioco.

## FISSARE LA PEDALIERA A UN ABITACOLO

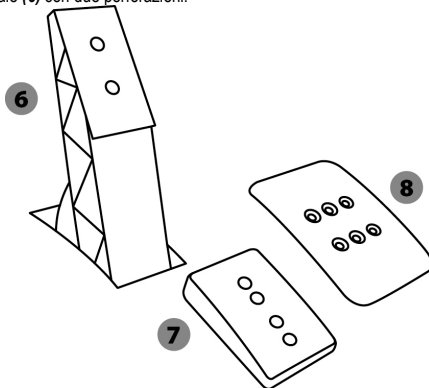
- Fissa la pedaliera utilizzando i piccoli fori per viti presenti nella parte inferiore della pedaliera.
- Avvita due viti M6 (non incluse) nella placca di supporto per la pedaliera del tuo abitacolo e nei due piccoli fori per viti presenti nella parte inferiore della pedaliera.

**Importante:** per non danneggiare le componenti interne della pedaliera, la lunghezza delle due viti M6 non deve superare lo spessore della placca di supporto per la pedaliera del tuo abitacolo aumentato di 10 mm.

## REGOLAZIONE DELLA PEDALIERA

Ognuno dei tre pedali è dotato di:

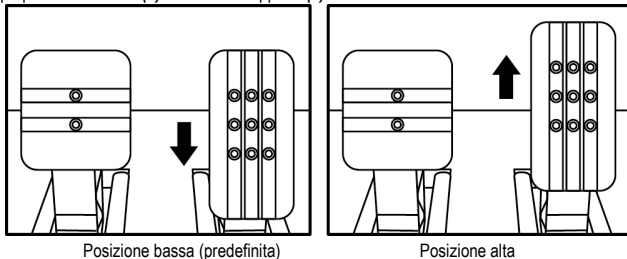
- Copri-pedale in metallo (8) multi-perforato (nove per l'acceleratore – due per il freno – sei per la frizione).
- Un supporto copri-pedale in plastica (7) (posizionato tra la testa e l'asta del pedale) con quattro perforazioni.
- Un'asta del pedale (6) con due perforazioni.



**ATTENZIONE:** per evitare qualsiasi problema di calibrazione, prima di effettuare qualunque regolazione sulla tua pedaliera, assicurati sempre di aver scollegato, dal sistema PS3™ o PS4™, il cavo USB del tuo volante.

### Regolare l'ALTEZZA dell'acceleratore

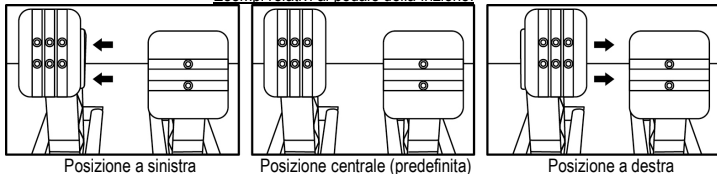
- Utilizzando l'acclusa chiave Allen da 2,5 mm (4), svita le due viti di fissaggio del copri-pedale in metallo (8) e del relativo supporto (7).
- Scegli la tua altezza preferita, dopodiché reinserisci e stringi nuovamente le viti, in modo tale che il copri-pedale in metallo (8) e il relativo supporto (7) siano saldamente fissati.



## Regolare la DISTANZA

- Utilizzando l'acclusa chiave Allen da 2,5 mm (4), svita le due viti di fissaggio del copri-pedale in metallo (8) e del relativo supporto (7).
- Seleziona la tua posizione preferita (a sinistra, al centro, a destra), dopodiché reinserisci e stringi nuovamente le viti, in modo tale che il copri-pedale in metallo (8) e il relativo supporto (7) siano saldamente fissati.

Esempi relativi al pedale della frizione:



Posizione a sinistra

Posizione centrale (predefinita)

Posizione a destra

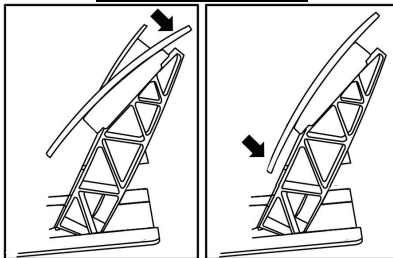
Numero di posizionamenti possibili per pedale:

- Tre per l'acceleratore
- Tre per la frizione

## Regolazione dell'INCLINAZIONE dei pedali

- Utilizzando l'acclusa chiave Allen da 2,5 mm (4), svita le due viti di fissaggio del copri-pedale in metallo (8) e del relativo supporto (7).
- Ruota il supporto copri-pedale in plastica (7) di 180°, dopodiché reinserisci e stringi nuovamente le viti, in modo tale che il copri-pedale in metallo (8) e il relativo supporto (7) siano saldamente fissati.

Esempi relativi all'acceleratore:



Posizione a minor inclinazione

Posizione a maggior inclinazione (predefinita)

Numero di inclinazioni possibili per pedale:

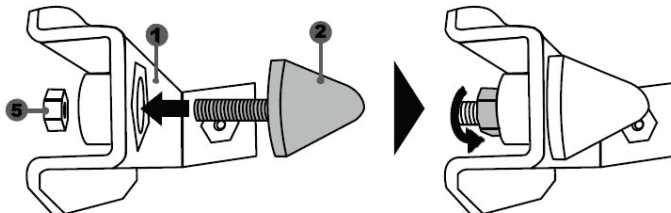
- Due per l'acceleratore
- Due per il freno
- Due per la frizione

## Installare in blocco conico ("CONICAL RUBBER BRAKE" mod)

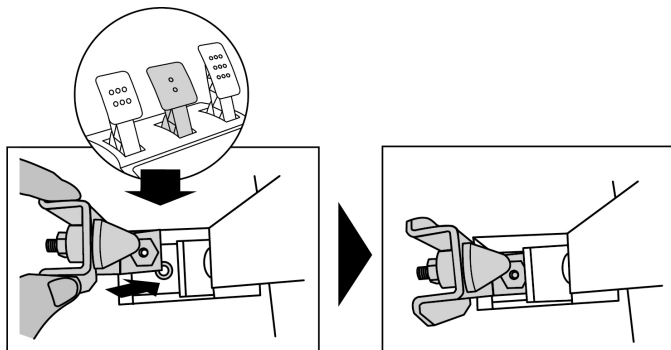
Questa modifica (o "mod") non è essenziale e non risulta preventivamente installata. Ciò significa che il pedale del freno funziona perfettamente anche a mod non installato.

Questo mod ti permette di sperimentare differenti sensazioni e resistenze durante le frenate. Sta a te scegliere se installarlo o meno, a seconda delle tue preferenze.

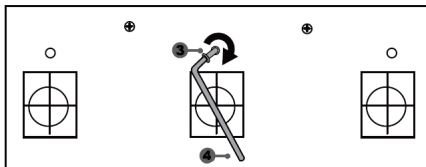
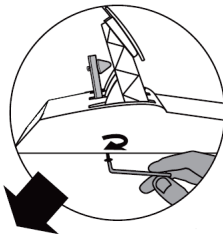
- Avvita il blocco conico (2) nel relativo supporto metallico (1).
- Nella parte posteriore (all'interno del foro filettato del blocco conico), avvita il dado per la regolazione della posizione (5).



- Posiziona l'unità dietro all'asta del pedale del freno.



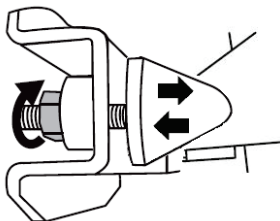
- Utilizzando l'acclusa chiave Allen da 2,5 mm (4), aggancia l'unità stringendo la vite di fissaggio (3) nel piccolo foro centrale filettato, presente nella parte inferiore della pedaliera.



*Il mod "CONICAL RUBBER BRAKE" è ora installato!*

### Regolazione dell'AMPIEZZA della corsa e della FORZA resistente del pedale del freno

Svitando leggermente il dado (5), puoi aumentare ulteriormente la resistenza del pedale del freno, avvicinando il blocco conico (2) alla parte posteriore dell'asta del pedale (se necessario, per stringere nuovamente il dado e mantenerlo nella posizione desiderata, usa una chiave del 14 o delle pinze). Quanto più il blocco conico sarà vicino alla parte posteriore dell'asta del pedale, tanto maggiore risulterà la forza resistente.



**Nota:** se il blocco conico si trova molto vicino alla parte posteriore dell'asta del pedale del freno, potresti avere delle difficoltà nel raggiungere il massimo valore di calibrazione. Se così fosse:

\* Lentamente, premi con molta forza il pedale del freno, affinché raggiunga il valore massimo (se necessario, sali in piedi sul pedale brevemente – solo per un attimo), dopodiché allenta la pressione; oppure

\* Porta il blocco conico un po' più distante dal retro dell'asta del pedale del freno.

## **Informazioni sulla garanzia al consumatore**

A livello mondiale, Guillemot Corporation S.A., avente sede legale in Place du Granier, B.P. 97143, 35571 Chantepie, Francia (d'ora in avanti "Guillemot") garantisce al consumatore che il presente prodotto Thrustmaster sarà privo di difetti relativi ai materiali e alla fabbricazione, per un periodo di garanzia corrispondente al limite temporale stabilito per la presentazione di un reclamo riguardante la conformità del prodotto in questione. Nei paesi della Comunità Europea, tale periodo equivale a due (2) anni a partire dalla consegna del prodotto Thrustmaster. In altri paesi, la durata della garanzia corrisponde al limite temporale stabilito per la presentazione di un reclamo riguardante la conformità del prodotto Thrustmaster in base alle leggi applicabili nel paese in cui il consumatore risiedeva alla data di acquisto del prodotto Thrustmaster (qualora nel paese in questione non esistesse alcuna norma a riguardo, il periodo di garanzia corrisponderà a un (1) anno a partire dalla data originale di acquisto del prodotto Thrustmaster).

Qualora, durante il periodo di garanzia, il prodotto dovesse apparire difettoso, contatti immediatamente l'Assistenza Tecnica, che le indicherà la procedura da seguire. Qualora il difetto dovesse essere confermato, il prodotto dovrà essere riportato al luogo di acquisto (o qualsiasi altro luogo indicato dall'Assistenza Tecnica).

Nel contesto della presente garanzia, il prodotto difettoso di proprietà del consumatore potrà essere sostituito o reso nuovamente funzionante, a discrezione dell'Assistenza Tecnica. Se, durante il periodo coperto dalla garanzia, il prodotto Thrustmaster fosse oggetto di tale rimessa in operatività, alla rimanente durata della garanzia dovrà essere aggiunto un periodo di almeno sette (7) giorni, durante il quale il prodotto risulta non utilizzabile (tale periodo intercorre dalla data della richiesta di intervento da parte del consumatore o dalla data in cui il prodotto in questione è reso disponibile per la rimessa in operatività, questo nel caso in cui tale data sia successiva alla data di richiesta di intervento). Qualora le leggi applicabili in materia lo consentano, la totale responsabilità di Guillemot e delle sue controllate (compresi i danni conseguenti) si limita alla rimessa in operatività o alla sostituzione del prodotto Thrustmaster. Qualora le leggi applicabili in materia lo consentano, Guillemot declina ogni garanzia sulla commerciabilità o la conformità a finalità particolari.

La presente garanzia non potrà essere applicata: (1) se il prodotto è stato modificato, aperto, alterato o ha subito danni derivanti da un uso inappropriato o non autorizzato, da negligenza, da un incidente, dalla semplice usura, o da qualsiasi altra causa non riconducibile a difetti nei materiali o nell'assemblaggio (compresi, ma non i soli, prodotti Thrustmaster combinati con elementi inadatti, tra cui, in particolare, batterie ricaricabili, caricatori o qualsiasi altro elemento non fornito da Guillemot per questo prodotto); (2) nel caso in cui il prodotto sia stato utilizzato per qualsiasi altro scopo al di fuori dell'uso domestico, comprese finalità professionali o commerciali (esempio: sale giochi, allenamenti, concorsi); (3) in caso di mancato rispetto delle istruzioni fornite dall'Assistenza Tecnica; (4) in caso di software, ovvero software soggetto a una specifica garanzia; (5) ai materiali di consumo (elementi che richiedono la loro sostituzione al termine della loro durata di esercizio come, ad esempio, batterie di tipo convenzionale o cuscinetti protettivi per auricolari o cuffie); (6) agli accessori (ad esempio, cavi, custodie, borsette, borse, cinturini); (7) se il prodotto è stato venduto ad un'asta pubblica.

La presente garanzia non è trasferibile.

I diritti legali del consumatore, stabiliti dalle leggi vigenti in materia di vendita di beni di consumo nel relativo paese, non vengono intaccati dalla presente garanzia.

## Disposizioni addizionali sulla garanzia

Per tutta la durata della garanzia, in linea di principio, Guillemot non fornirà alcuna parte di ricambio, in quanto la sola Assistenza Tecnica è la parte autorizzata ad aprire e/o rimettere in funzionamento tutti i prodotti Thrustmaster (fatta eccezione per eventuali procedure di rimessa in operatività che l'Assistenza Tecnica potrebbe richiedere al consumatore, attraverso istruzioni scritte – viste, ad esempio, la semplicità e la mancanza di riservatezza della procedura di rimessa in operatività – e fornendo al consumatore le necessarie parti di ricambio, se ve ne fosse l'esigenza).

Considerando i propri cicli di innovazione e per proteggere il proprio know-how e i propri segreti commerciali, in linea di principio, Guillemot non fornirà alcuna notifica o parte di ricambio finalizzata alla rimessa in attività di un qualunque prodotto Thrustmaster il cui periodo di garanzia risultasse scaduto.

## Responsabilità

Qualora le leggi applicabili in materia lo consentano, Guillemot Corporation S.A. (d'ora in avanti "Guillemot") e le sue controllate declinano ogni responsabilità per qualsiasi danno derivante da almeno una delle seguenti condizioni: (1) il prodotto è stato modificato, aperto o alterato; (2) mancato rispetto delle istruzioni di installazione; (3) uso inappropriato o non permesso, negligenza, incidente (come, ad esempio, un impatto); (4) semplice usura; (5) utilizzo del prodotto per qualsiasi altro scopo al di fuori dell'uso domestico, comprese finalità professionali o commerciali (esempio: sale giochi, allenamenti, concorsi). Qualora le leggi applicabili in materia lo consentano, Guillemot e le sue controllate declinano ogni responsabilità per qualsiasi danno non riconducibile a difetti nei materiali o nella fabbricazione del prodotto (compresi, ma non i soli, potenziali danni causati direttamente o indirettamente da un qualunque software, oppure dall'uso del prodotto Thrustmaster in combinazione con elementi inadatti, tra cui, in particolare, batterie ricaricabili, caricatori o qualsiasi altro elemento non fornito da Guillemot per questo prodotto).

**THRUSTMASTER®**

**ASSISTENZA TECNICA**

<http://support.thrustmaster.com>





## COPYRIGHT

© 2017 Guillemot Corporation S.A. Tutti i diritti riservati. Thrustmaster® è un marchio registrato da Guillemot Corporation S.A.

Con licenza di vendita in Europa, Africa, Medio Oriente, Russia, India e Oceania. Utilizzabile esclusivamente con PlayStation®3 e PlayStation®4.

Tutti gli altri marchi appartengono ai legittimi proprietari. Illustrazioni puramente indicative. I contenuti, i design e le caratteristiche possono essere oggetto di modifiche senza preavviso e possono variare da una nazione all'altra. Prodotto in Cina.

Prodotto e distribuito da Guillemot Corporation S.A.

## RACCOMANDAZIONI SULLA TUTELA DELL'AMBIENTE



\* Nell'Unione Europea: Al termine della sua vita operativa, questo prodotto non dovrebbe essere gettato assieme ai comuni rifiuti, ma dovrebbe essere portato ad un apposito punto di raccolta destinato al riciclaggio del Materiale Elettrico ed Elettronico. Ciò è confermato dal simbolo riportato sul prodotto, nel manuale d'uso o sulla confezione.

A seconda delle proprie caratteristiche, i materiali potrebbero essere riciclati. Tramite il riciclaggio ed altre forme di trattamento del Materiale Elettrico ed Elettronico, è possibile fornire un importante contributo per la salvaguardia dell'ambiente.

Per conoscere i punti di raccolta più vicini a te, contatta le autorità locali competenti.

In tutti gli altri Paesi: per favore, rispetta le leggi locali sul riciclo dei materiali elettrici ed elettronici.

Informazioni da conservare. I colori e le decorazioni possono variare.

I ganci di plastica e gli adesivi dovrebbero essere rimossi dal prodotto prima che quest'ultimo venga utilizzato.

[www.thrustmaster.com](http://www.thrustmaster.com)

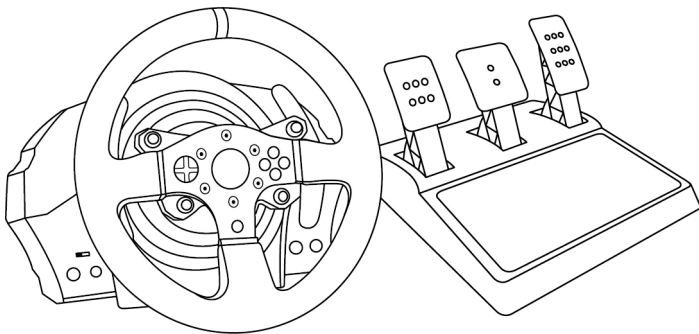
*\*Valido solo in UE e Turchia*



# T300RS

## GT Edition

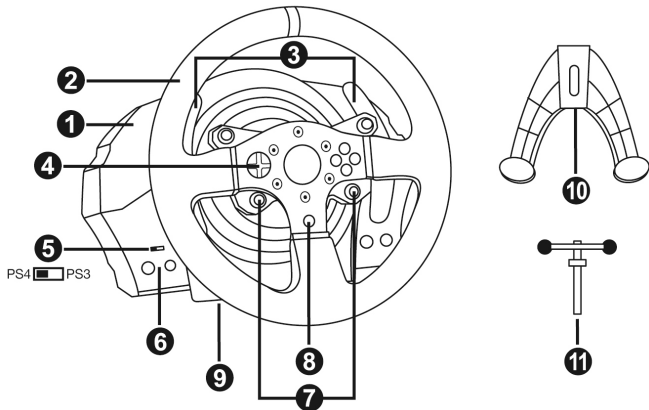
### Manual del usuario



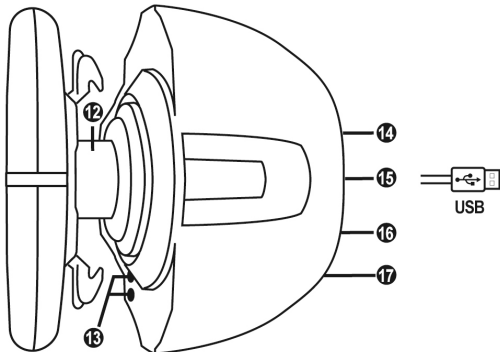
#### **ADVERTENCIA:**

Para asegurarte de que tu volante de carreras T300 funcione correctamente con juegos, puede que tengas que instalar las actualizaciones automáticas de los juegos (disponibles cuando tu sistema está conectado a Internet).

# CARACTERÍSTICAS TÉCNICAS



- |   |   |
|---|---|
| 1 Base de T300 RS                                     | 7 Botones SELECT/START en PS3™ y SHARE/OPTIONS en PS4™                    |
| 2 Volante T300 GT                                     | 8 Botón PS  |
| 3 2 levas de cambio secuenciales (Up y Down)          | 9 Agujero roscado grande (para sistema de fijación y tornillo de apriete) |
| 4 D-Pad multidireccional                              | 10 Sistema de fijación  |
| 5 Interruptor deslizable USB integrado para PS4™/PS3™ | 11 Tornillo de fijación metálico  |
| 6 Botón MODE + luz indicadora roja/verde              |   |



- |  |   |
|--|---|
| 12 Thrustmaster Quick Release  | 15 Conector y cable USB del volante de carreras                       |
| 13 Botones L3/R3   | 16 Conector de caja de cambios (caja de cambios vendida por separado) |
| 14 Conector de fuente de alimentación (tipo A o B) (varia de un país a otro) | 17 Conector de los pedales  |

## ¡CONEXIÓN DEL VOLANTE DE CARRERAS A UN ENCHUFE ELÉCTRICO: LEER ANTES DE CONTINUAR!

La fuente de alimentación del volante de carreras varía en función del país en el que hayas comprado el dispositivo.

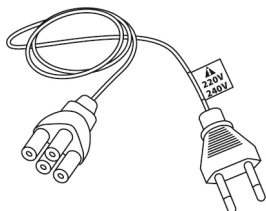
La fuente de alimentación puede ser:

### Interna, con:

\* Una unidad de fuente de alimentación situada directamente en el interior de la base del volante de carreras, con un conector de tipo A.

\* Un cable de fuente de alimentación de 220-240 V.

= compatible sólo con un suministro eléctrico de 220-240 V.



!!! No conectes nunca el cable de 220-240 V a un enchufe eléctrico de 100-130 V!!!  
!!! No conectes nunca este cable a un adaptador de corriente eléctrica!!!

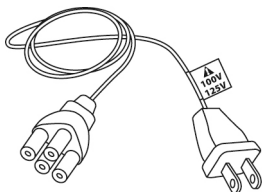


### Interna, con:

\* Una unidad de fuente de alimentación situada directamente en el interior de la base del volante de carreras, con un conector de tipo A.

\* Un cable de fuente de alimentación de 100-125 V.

= compatible sólo con un suministro eléctrico de 100-125 V.



!!! No conectes nunca el cable de 100-125 V a un enchufe eléctrico de 220-240 V!!!  
!!! No conectes nunca este cable a un adaptador de corriente eléctrica!!!



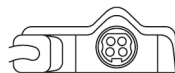
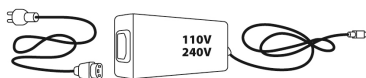
**¡IMPORTANTE:** Si no sabes qué tensión se suministra en la zona en la que estás usando el volante de carreras, consulta a tu suministrador eléctrico local.

### Externo, con:

\* Una unidad de fuente de alimentación externa, con un conector de tipo B.

\* Un cable de fuente de alimentación.

= compatible con todas las tensiones eléctricas, a partir de 110-240 V.



## ADVERTENCIAS

Antes de utilizar este producto, lee detenidamente este manual y consérvalo para consultarlo posteriormente.



### **Advertencia – Descarga eléctrica**

- \* Mantén el producto en un lugar seco y no lo expongas al polvo ni a la luz directa del sol.
- \* No retuerzas ni tires de los conectores ni de los cables.
- \* No derrames líquidos en el producto ni en sus conectores.
- \* No cortocircuites el producto.
- \* No desmontes nunca el producto ni lo lances al fuego ni lo expongas a temperaturas elevadas.
- \* No utilices otro cable de fuente de alimentación distinto del proporcionado con el volante de carreras.
- \* No utilices el cable de fuente de alimentación si el cable o los conectores están dañados, partidos o rotos.
- \* Asegúrate de que el cable de fuente de alimentación esté enchufado correctamente en un enchufe eléctrico, y conectado correctamente al conector de la parte trasera de la base del volante de carreras.
- \* No abras el volante de carreras: en el interior no hay piezas que el usuario pueda arreglar. Las reparaciones las debe realizar el fabricante, su representante autorizado o un técnico cualificado.
- \* Utiliza únicamente sistemas de fijación/accesorios especificados por el fabricante.
- \* Si el volante de carreras se comporta de forma anormal (si emite sonidos anormales, calor u olores), deja de utilizarlo inmediatamente, desenchufa el cable de fuente de alimentación del enchufe eléctrico y desconecta los demás cables.
- \* Si no vas a utilizar el volante de carreras durante un período de tiempo prolongado, desenchufa su cable de fuente de alimentación del enchufe eléctrico.



### **Rejillas de ventilación**

Asegúrate de no bloquear ninguna de las rejillas de ventilación de la base del volante de carreras. Para obtener una ventilación óptima, respeta los puntos siguientes:

- \* Coloca la base del volante al menos a 10 cm de distancia de las paredes.
- \* No coloques la base en espacios estrechos.
- \* No tapes la base.
- \* No dejes que se acumule polvo en las rejillas de ventilación.



**Por razones de seguridad, no uses nunca los pedales con los pies descalzos o únicamente con calcetines en los pies.**

**THRUSTMASTER® DECLINA TODA RESPONSABILIDAD EN CASO DE LESIONES PRODUCTO DEL USO DE LOS PEDALES SIN CALZADO.**



### **Advertencia – Lesiones debidas al Force Feedback y los movimientos repetitivos**

Jugar con un volante con Force Feedback puede producir dolor en las articulaciones o en los músculos. Para evitar problemas:

- \* Evita jugar durante períodos prolongados.
- \* Haz descansos de 10 a 15 minutos por cada hora de juego.
- \* Si sientes fatiga o dolor en las manos, muñecas, brazos, pies o piernas, deja de jugar y descansa durante unas horas antes de volver a jugar.



## **Advertencia – Lesiones debidas a Force Feedback y los movimientos repetitivos (continuación)**

- \* Si los síntomas o el dolor indicados anteriormente persisten cuando vuelves a jugar, deja de hacerlo y consulta al médico.
- \* Mantén el volante fuera del alcance de los niños.
- \* Durante el juego, mantén siempre ambas manos colocadas correctamente en el volante sin dejarlas completamente caídas.
- \* Mientras estés jugando, no coloques nunca las manos ni los dedos debajo de los pedales, ni tampoco cerca de ellos.
- \* Durante la calibración y el juego, no metas nunca las manos ni los brazos a través de las aberturas del volante de carreras.
- \* Asegúrate de que la base del volante de carreras esté fijada correctamente, según las instrucciones de este manual.



El producto sólo puede ser manejado por usuarios de 16 años de edad como mínimo

**PRODUCTO PESADO**



¡Ten cuidado de no dejar caer el producto encima de ti o de otra persona!

**SIEMPRE**



**NUNCA**



**NUNCA**





### **Advertencia – Peligro de pillarse los dedos con los pedales mientras se juega**

- \* Mantén los pedales fuera del alcance de los niños.
- \* Cuando juegues, no pongas nunca los dedos en los lados de los pedales ni cerca de ellos.
- \* Cuando juegues, no pongas nunca los dedos sobre la base trasera de los pedales ni cerca de ella.
- \* Cuando juegues, no pongas nunca los dedos sobre la base delantera de los pedales ni cerca de ella.

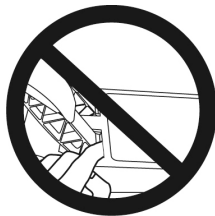
**NUNCA**



**NUNCA**



**NUNCA**



### **Advertencia – Peligro de pillarse los dedos con los pedales cuando no se juega**

- \* Guarda los pedales en un lugar seguro y lejos del alcance de los niños.

## **ACTUALIZACIÓN DEL FIRMWARE DEL VOLANTE DE CARRERAS**

El firmware incluido en la base del volante de carreras se puede actualizar a una versión más reciente que incluya mejoras del producto.

Para mostrar la versión de firmware que está usando actualmente tu volante de carreras y actualizarla si es necesario: en PC, visita <http://support.thrustmaster.com>. Haz clic en **Volantes de carreras / T300 RS**, después selecciona **Firmware** y sigue las instrucciones que describen el procedimiento de descarga e instalación.

#### **Nota importante:**

En PC, el interruptor deslizante de USB (5) de la base del volante de carreras siempre debe estar puesto en la posición PS3™.

## INSTALACIÓN DEL VOLANTE DE CARRERAS EN SU BASE

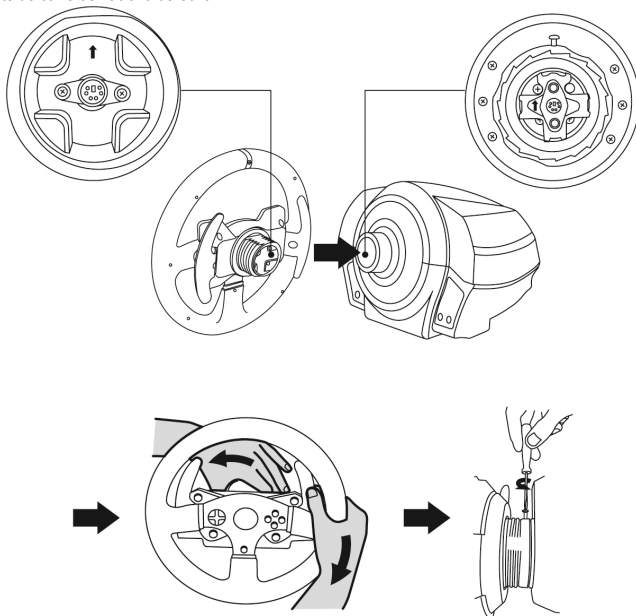
Alinea las posiciones de los conectores usando las flechas:

**Conector de la base (1):** Flecha apuntando hacia arriba

**Conector del volante de carreras (2):** Flecha apuntando hacia arriba

Una vez que los conectores estén colocados correctamente, simplemente gira el anillo del dispositivo Thrustmaster Quick Release (12) hacia la izquierda, mientras sostienes el volante de carreras (2) en su posición.

A continuación, aprieta el anillo todo lo que puedas: para ello, mantén el anillo en su posición y gira el volante de carreras hacia la derecha.



Una vez que hayas instalado el volante de carreras, gíralo 180° (cuando mires al volante, el logotipo de GT debería estar al revés) para acceder al pequeño tornillo de fijación situado en el anillo del dispositivo Thrustmaster Quick Release (12). Con un destornillador Phillips para apretar el tornillo de fijación (no utilices una fuerza excesiva), gíralo hacia la derecha.



¡Al utilizar un destornillador Philips, procura **NO** emplear una fuerza excesiva al apretar el tornillo pequeño de fijación!

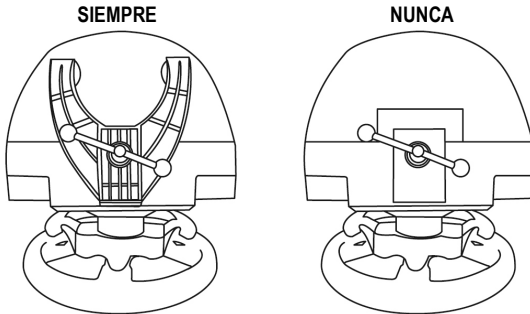
Deja de girar el tornillo en cuanto notes algo de resistencia.



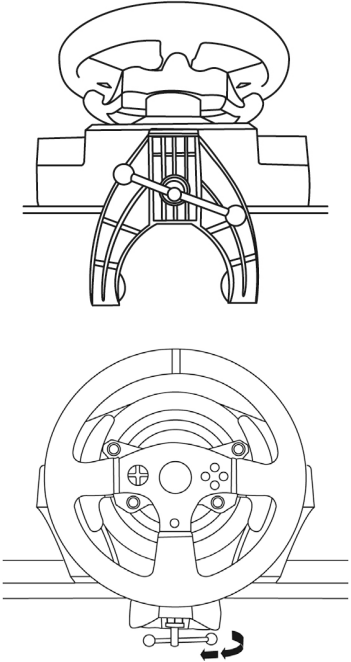
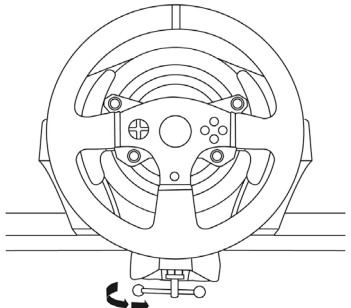
## FIJACIÓN DEL VOLANTE DE CARRERAS

### Fijación del volante de carreras a una mesa o un escritorio

1. Coloca el volante de carreras en una mesa o en otra superficie horizontal, plana y estable.
2. Inserta el tornillo de sujeción (11) en el sistema de fijación (10) y, a continuación, aprieta el dispositivo girando el tornillo a la izquierda, para que entre en el agujero roscado grande (9) situado debajo del volante de carreras, hasta que el volante esté perfectamente estable.



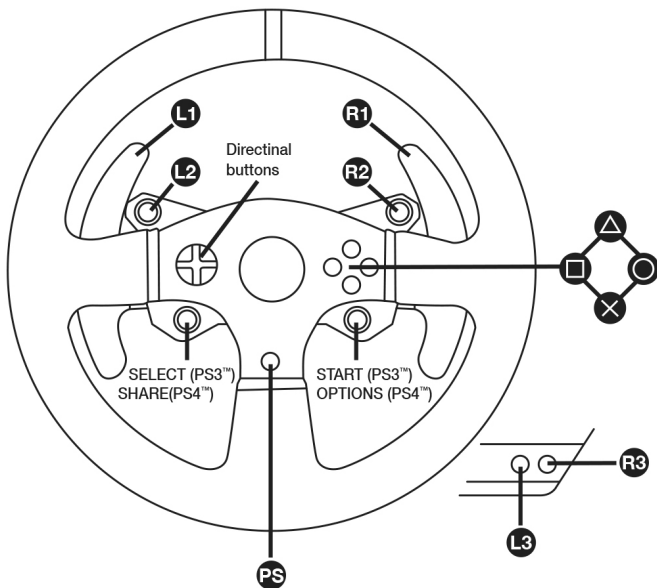
**ADVERTENCIA:** ¡No aprietes nunca el tornillo solo, sin el sistema de fijación en su sitio!  
(De hacerlo así, se podría dañar el volante).

COLOCACIÓN / RETIRADA	INDICACIÓN
<p><b>Para apretar:</b></p> <p><i>Gira el tornillo hacia la izquierda</i></p>	
<p><b>Para aflojar:</b></p> <p><i>Gira el tornillo hacia la derecha</i></p>	

## Fijación de la base del volante de carreras a una cabina

1. Coloca la base del volante de carreras en el estante de la cabina.
2. Pasa dos tornillos M6 (no incluidos) a través del estante de la cabina e insértalos en los dos agujeros roscados pequeños situados en la cara inferior del volante de carreras.  
*Importante:* La longitud de los dos tornillos M6 no debe exceder el grosor del estante + 12 mm; tornillos más largos podrían dañar los componentes internos situados en la base del volante de carreras.
3. Si es necesario, aprieta el sistema de fijación estándar insertando el tornillo de sujeción en el agujero roscado grande.

## ASIGNACIÓN DE PLAYSTATION®3 Y PLAYSTATION®4



## CONFIGURACIÓN DEL VOLANTE DE CARRERAS PARA PLAYSTATION®3 O PLAYSTATION®4

1. Conecta los pedales al conector (17) situado en la parte trasera de la base del volante de carreras.
2. Conecta el cable de fuente de alimentación al conector (14) situado en la parte trasera de la base del volante de carreras.
3. Enchufa el cable de fuente de alimentación a un enchufe eléctrico con las mismas especificaciones de tensión.



**Para más información sobre esto, consulta la sección CONEXIÓN DEL VOLANTE DE CARRERAS A UN ENCHUFE ELÉCTRICO, en la página 3 de este manual.**

4. Pon el interruptor selector de USB (5) de la base del volante de carreras en la posición PS3™ o PS4™, en función de la consola o el juego que estés usando.
5. Conecta el conector USB del volante de carreras (15) a uno de los puertos USB de la consola.
6. Una vez encendida la consola, el volante de carreras se calibrará solo automáticamente.
7. En PlayStation®4 (cuando el interruptor selector de USB está puesto en la posición de PS4™): pulsa el botón PS del volante (8) e inicia sesión en tu cuenta Sony Entertainment Network para poder usar el volante.

***¡Ya estás preparado para jugar!***

### **Notas importantes:**

- El interruptor selector USB (5) de la base del volante de carreras siempre debe ponerse en la posición adecuada (PS3™ o PS4™) antes de conectar el cable USB del volante a la consola. Para cambiar la posición del interruptor selector, desconecta el cable USB de la consola y, a continuación, cambia la posición del interruptor antes de volver a conectar el cable USB a la consola.

- En PlayStation®3, el interruptor selector de USB (5) siempre debe ponerse en la posición PS3™:

- \* El volante se reconoce en la mayoría de los juegos como un volante T500RS.
- \* El volante está operativo en los juegos compatibles y en los menús de la consola.
- \* La función "PS" está operativa en el volante.

- En PlayStation®4, con el interruptor selector de USB (5) en la posición PS3™:

- \* El volante se reconoce en la mayoría de los juegos como un volante T500RS.
- \* El volante está operativo en los juegos compatibles, pero no en los menús de la consola.
- \* Las funciones "SHARE" y "PS" no están operativas en el volante.

- En PlayStation®4, con el interruptor selector de USB (5) en la posición PS4™:

- \* No olvides pulsar el botón PS del volante de carreras (8) para poder usar el volante.
- \* El volante se reconoce en la mayoría de los juegos como un volante T300 RS.
- \* El volante está operativo en los juegos compatibles y en los menús de la consola.
- \* Las funciones "SHARE" y "PS" están operativas en el volante.

- La lista de juegos de PlayStation®3 y PlayStation®4 compatibles con el T300 RS (junto con la posición requerida del interruptor selector de USB (5) según el juego que se esté jugando) está disponible en:

<http://support.thrustmaster.com>

(haz clic en Volantes de carreras / T300 RS / Configuración de juegos).

*Esta lista se actualiza regularmente.*

## CONFIGURACIÓN DEL VOLANTE DE CARRERAS PARA PC\*

\*Compatibilidad con PC no testada y no avalada por Sony Interactive Entertainment Europe.

Para más información, visita <http://support.thrustmaster.com>.

### CALIBRACIÓN AUTOMÁTICA DEL VOLANTE Y DE LOS PEDALES

El volante de carreras se calibra solo automáticamente cuando enchufas el volante de carreras a la red eléctrica y conectas el conector USB del volante de carreras a la consola.

Durante esta fase, el volante de carreras girará rápidamente hacia la izquierda y la derecha, cubriendo un ángulo de 1080 grados, antes de detenerse en el centro.



#### **ADVERTENCIA:**

**¡No toques nunca el volante de carreras durante la fase de autocalibración!  
(Esto podría provocar una calibración incorrecta o lesiones personales).**

### CALIBRACIÓN AUTOMÁTICA DE LOS PEDALES

No conectes nunca los pedales a la base del volante (ni los desconectes de la base) cuando esté conectada a la consola o durante el juego (esto podría provocar una calibración incorrecta).

Conecta siempre los pedales antes de conectar el volante de carreras a la consola.

Una vez que se ha realizado la calibración del volante de carreras y el juego se ha ejecutado, los pedales se calibran automáticamente tras presionarlos unas cuantas veces.



#### **ADVERTENCIA:**

**No pises nunca los pedales durante la fase de autocalibración  
del volante de carreras ni mientras se está cargando un juego!  
(Esto podría provocar una calibración incorrecta).**

**Si el volante de carreras y los pedales no funcionan correctamente o la calibración parece incorrecta:**

Apaga la consola, desconecta por completo el volante de carreras, vuelve a conectar todos los cables (utilizando el cable de fuente de alimentación y los pedales) y reinicia la consola y el juego.

### SENSOR DE TEMPERATURA INTERNO

El sistema de refrigeración del volante se compone de un disipador de calor y un ventilador.

- Un termostato calcula la temperatura interna del volante.
- Cuando estés utilizando el volante en un juego:
  - El ventilador de refrigeración se pone en marcha cuando el volante ha alcanzado una determinada temperatura (tras unos minutos de juego, dependiendo de la potencia de los efectos Force Feedback utilizados).
  - La potencia de los efectos Force Feedback disminuye automáticamente en cuanto el volante alcanza un nivel de temperatura mucho más alto (para proteger el motor). La potencia de esos efectos aumenta automáticamente en cuanto se reduce ligeramente la temperatura.
- Cuando has terminado de jugar: debido a la inercia térmica del motor, el ventilador de refrigeración continúa funcionando hasta que la temperatura desciende por debajo del nivel inicial del ventilador. El volante se ha diseñado de esta manera para facilitar la refrigeración y para proteger el motor (este funcionamiento puede durar de 5 a 45 minutos, dependiendo de la temperatura alcanzada al utilizar el volante en un juego).

## BOTÓN MODE Y LUZ INDICADORA (6)

### Botón MODE de los pedales

El T300 es compatible con los pedales de Thrustmaster que incluyan 3 pedales que te permitirán intercambiar electrónicamente los pedales del acelerador y el embrague.

Para ello, simplemente pulsa el botón MODE (6) durante 2 segundos.

La memoria interna del volante de carreras almacena si los pedales se han intercambiado o no.

PEDALES DEL ACELERADOR Y EL EMBRAGUE	Color de la luz indicadora MODE (6)
NORMAL	ROJO
INTERCAMBIADOS	VERDE

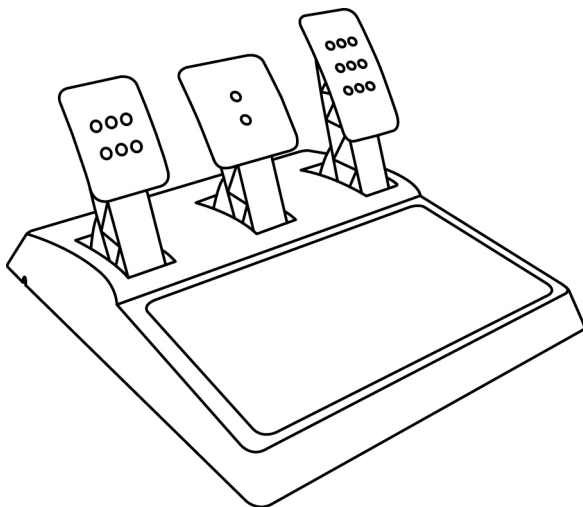
### Otros consejos para el botón MODE

Para obtener más información sobre el botón MODE y la luz indicadora, visita <http://support.thrustmaster.com>. Haz clic en **Volantes de carreras / T300 RS** y luego selecciona **Manual** o **PF**.

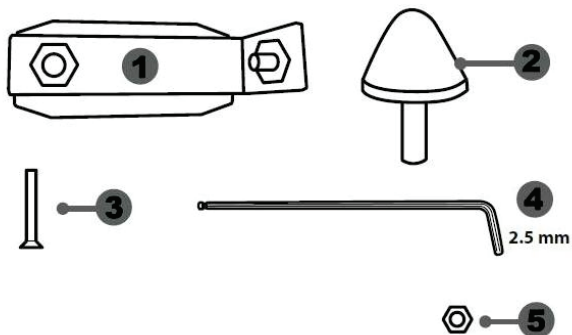
## ARCHIVOS DE AYUDA Y FAQ (NO INCLUIDOS EN ESTE MANUAL)

Visita <http://support.thrustmaster.com>. Haz clic en **Volantes de carreras / T300 RS** y luego selecciona **Manual** o **PF**.

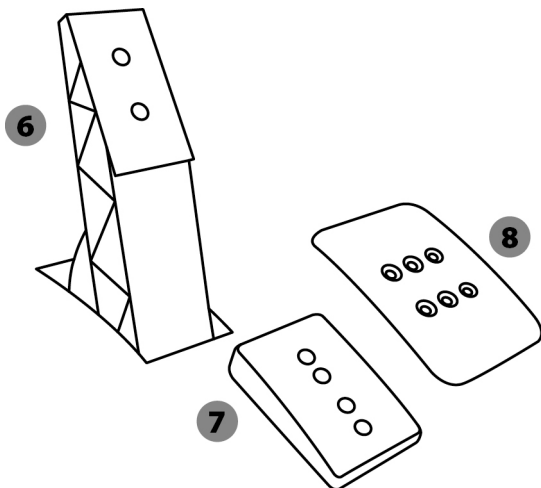
# PEDALES **T3PA – GT EDITION**



## CARACTERÍSTICAS TÉCNICAS



- 1 Soporte metálico para tope cónico  
(no está instalado de forma  
predeterminada)
- 2 Tope cónico
- 3 Tornillo de sujeción de soporte metálico
- 4 Llave Allen de 2,5 mm (incluida)
- 5 Tuerca de ajuste de posición para tope cónico



- 6 Brazo del pedal
- 7 Soporte de cabeza de plástico
- 8 Cabeza del pedal metálica



## AVISO

Antes de utilizar este producto, asegúrate de leer detenidamente estas instrucciones y guárdalas para poder consultarlas en el futuro.



Por motivos de seguridad, no utilizar nunca los pedales con los pies desnudos o únicamente con calcetines en los pies.  
THRUSTMASTER® DECLINA TODA RESPONSABILIDAD EN CASO DE LESIONES PRODUCTO DEL USO DE LOS PEDALES SIN CALZADO.



### **Advertencia – Peligro de pillarse con los pedales durante las sesiones de juego**

- \* Mantén los pedales fuera del alcance de los niños.
- \* Durante las sesiones de juego, no pongas nunca los dedos en los lados de los pedales ni cerca de ellos.
- \* Durante las sesiones de juego, no pongas nunca los dedos en la base trasera de los pedales ni cerca de ella.
- \* Durante las sesiones de juego, no pongas nunca los dedos en la base delantera de los pedales ni cerca de ella.

**NUNCA**



**NUNCA**



**NUNCA**



## CALIBRACIÓN AUTOMÁTICA DE LOS PEDALES



### **IMPORTANTE:**

- No conectes ni desconectes nunca los pedales de la base del volante cuando el volante esté conectado al sistema PS3™ o PS4™, ni durante las sesiones de juego, para evitar problemas de calibración.
- Conecta siempre los pedales al volante antes de conectar el volante al sistema PS3™ o PS4™.
- Una vez que el volante se ha autocalibrado y el juego ha comenzado, los pedales se autocalibran automáticamente tras presionarlos varias veces.
- No presiones nunca los pedales cuando el volante se está autocalibrando o cuando el juego está arrancando, para evitar problemas de calibración.
- Si los pedales no están funcionando correctamente o parece que no están calibrados adecuadamente, apaga la consola, desconecta por completo el volante y, a continuación, vuelve a conectar todos los cables (incluyendo el cable de la fuente de alimentación y el de los pedales), vuelve a encender la consola y reinicia el juego.

## FIJACIÓN DE LOS PEDALES A UNA CABINA

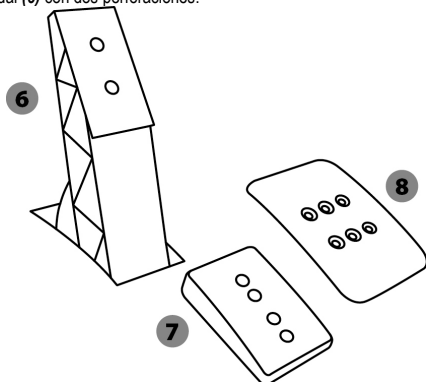
- Fija los pedales con las roscas de tornillo pequeñas situadas en la cara inferior de los pedales.
- Atornilla dos tornillos M6 (no incluidos) en la placa de soporte de los pedales en la cabina y en las dos roscas de tornillo pequeñas situadas en la cara inferior de los pedales.

**Importante:** La longitud de los dos tornillos M6 no debe superar el grosor de la placa de soporte de los pedales en la cabina más 10 mm adicionales, para evitar dañar los componentes internos de los pedales.

## AJUSTE DE LOS PEDALES

Cada uno de los tres pedales incluye:

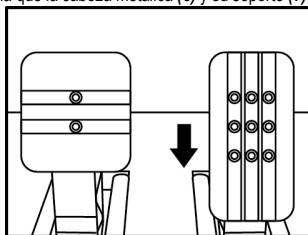
- Una cabeza metálica (8) con varias perforaciones (nueve para el acelerador, dos para el freno y seis para el embrague).
- Un soporte de cabeza de plástico (7) (situado entre la cabeza y el brazo) con cuatro perforaciones.
- Un brazo del pedal (6) con dos perforaciones.



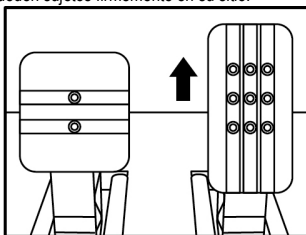
**ATENCIÓN:** Para evitar problemas de calibración, asegúrate de desconectar siempre el cable USB del volante del sistema PS3™ o PS4™ antes de hacer ajustes en los pedales.

### Ajuste de la ALTURA del pedal del acelerador

- Con la llave Allen de 2,5 mm incluida (4), desatornilla los dos tornillos que sujetan la cabeza metálica (8) y su soporte (7) en su sitio.
- Selecciona la posición de altura que prefieras y luego vuelve a colocar y apretar los tornillos de forma que la cabeza metálica (8) y su soporte (7) queden sujetos firmemente en su sitio.



Posición baja (predeterminada)

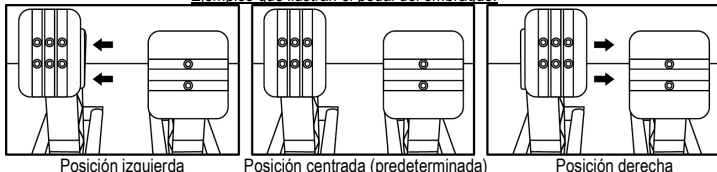


Posición alta

## Ajuste del ESPACIADO

- Con la llave Allen de 2,5 mm incluida (4), desatornilla los dos tornillos que sujetan la cabeza metálica (8) y su soporte (7) en su sitio.
- Selecciona la posición que prefieras (a la izquierda, centrada o a la derecha) y, a continuación, vuelve a colocar y apretar los tornillos de forma que la cabeza metálica (8) y su soporte (7) queden sujetos firmemente en su sitio.

Ejemplos que ilustran el pedal del embrague:



Posición izquierda

Posición centrada (predeterminada)

Posición derecha

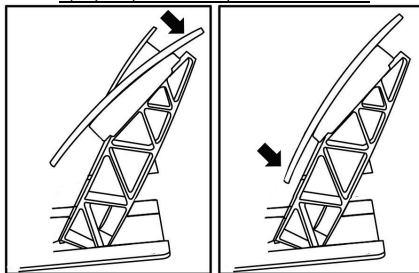
Número de posiciones de espaciado posibles por pedal:

- Tres para el pedal del acelerador
- Tres para el pedal del embrague

## Ajuste de la INCLINACIÓN de los pedales

- Con la llave Allen de 2,5 mm incluida (4), desatornilla los dos tornillos que sujetan la cabeza metálica (8) y su soporte (7) en su sitio.
- Gira el soporte de cabeza de plástico (7) 180° y, a continuación, vuelve a colocar y apretar los tornillos de forma que la cabeza metálica (8) y su soporte (7) queden sujetos firmemente.

Ejemplos que ilustran el pedal del acelerador:



Posición menos inclinada

Posición más inclinada (predeterminada)

Número de posiciones de inclinación posibles por pedal:

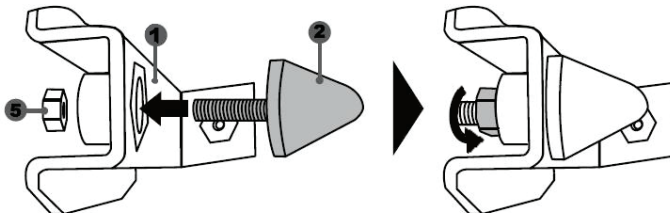
- Dos para el pedal del acelerador
- Dos para el pedal del freno
- Dos para el pedal del embrague

## Instalación del tope cónico (mod "CONICAL RUBBER BRAKE")

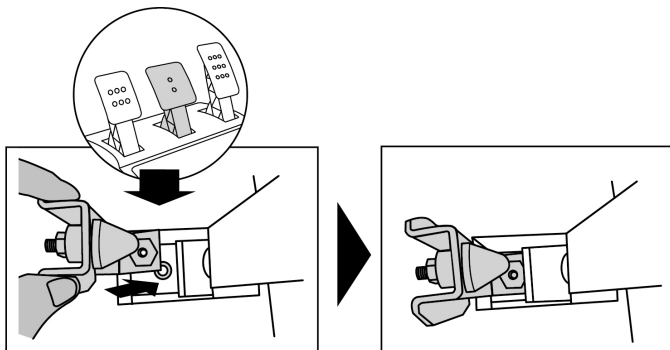
*Esta modificación (o "mod") no es esencial y no se instala de forma predeterminada. Esto significa que el pedal del freno funciona perfectamente aunque no esté instalado el mod.*

*Este mod te permite experimentar una resistencia y sensación diferentes al frenar. Depende de ti instalarlo o no, en función de tus preferencias.*

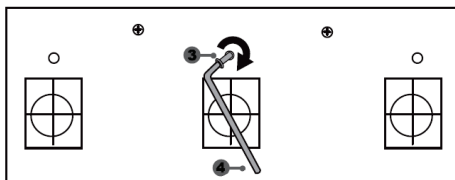
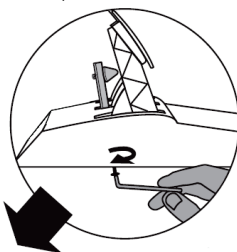
- Atornilla el tope cónico (2) en su soporte metálico (1).
- Atornilla la tuerca de ajuste de posición (5) en la parte inferior (en la rosca de tornillo del tope cónico).



- Coloca la unidad en la parte trasera del brazo del pedal del freno.



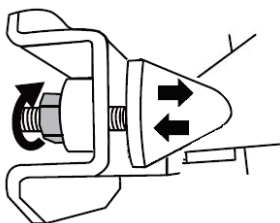
- Con la llave Allen de 2,5 mm incluida (4), fija la unidad con el tornillo de sujeción (3) y la rosca de tornillo central pequeña situada en la cara inferior de los pedales.



*¡Ya está instalado el mod "CONICAL RUBBER BRAKE"!*

### Ajuste del RANGO de desplazamiento y la RESISTENCIA del pedal del freno

Si desatornillas ligeramente la tuerca (5), puedes reforzar más la resistencia del pedal del freno moviendo el tope cónico (2) más cerca de la parte trasera del brazo del pedal (si es necesario, usa una llave de 14 mm o unos alicates para volver a apretar la tuerca y mantener la posición seleccionada). Cuanto más cerca esté colocado el tope cónico de la parte trasera del brazo del pedal, mayor será la resistencia.



**Nota:** Cuando el tope cónico está muy cerca de la parte trasera del brazo del pedal del freno, puedes experimentar dificultades para alcanzar el valor de calibración máximo. Si eso sucediera:

- \* Lentamente, presiona muy fuerte el pedal del freno para que alcance el valor máximo (si es necesario, descansa muy brevemente sobre el pedal, sólo durante un segundo) y, a continuación, libera la presión; o por el contrario
- \* Desplaza el tope cónico un poco más lejos de la parte trasera del brazo del pedal del freno.

## **INFORMACIÓN DE GARANTÍA AL CONSUMIDOR**

En todo el mundo, Guillemot Corporation S.A., cuyo domicilio legal se encuentra en Place du Granier, B.P. 97143, 35571 Chantepie, Francia (en lo sucesivo "Guillemot") garantiza al consumidor que este producto de Thrustmaster estará libre de defectos de materiales y mano de obra, durante un período de garantía que corresponde al límite de tiempo para interponer una acción legal referida a la conformidad en relación con este producto. En los países de la Unión Europea, esto corresponde a un período de dos (2) años a partir de la entrega del producto de Thrustmaster. En otros países, el período de garantía corresponde al límite de tiempo para interponer una acción legal referida a la conformidad en relación con este producto de Thrustmaster según las leyes aplicables del país en el que el consumidor estuviese domiciliado en la fecha de compra del producto de Thrustmaster (si no existiese una acción similar en el país correspondiente, entonces el período de garantía será de un (1) año a partir de la fecha de compra original del producto de Thrustmaster).

Si el producto resultase defectuoso durante el período de garantía, hay que ponerse en contacto inmediatamente con el Soporte Técnico, que indicará el procedimiento a seguir. Si se confirma el defecto, el producto debe devolverse a su lugar de compra (o a cualquier otra ubicación indicada por el Soporte Técnico).

Dentro del contexto de esta garantía, el producto defectuoso del consumidor será sustituido o restaurado su funcionamiento correcto. Si, durante el período de garantía, el producto de Thrustmaster fuese sometido a dicho reacondicionamiento, cualquier período de cómo mínimo siete (7) días durante el que el producto no se pueda usar se añadirá al período de garantía restante (este período va desde la fecha de petición de intervención del consumidor o desde la fecha en la que el producto se entrega para el reacondicionamiento, si la fecha en la que el producto se entrega para el reacondicionamiento fuese posterior a la fecha de la petición de intervención). Si la ley aplicable lo permite, toda la responsabilidad de Guillemot y sus filiales (incluso por daños resultantes) se limita a la restauración del funcionamiento correcto o la sustitución del producto de Thrustmaster. Si la ley aplicable lo permite, Guillemot renuncia a todas las garantías de comerciabilidad o adecuación para un propósito determinado.

Esta garantía no se aplicará: (1) si el producto ha sido modificado, abierto, alterado o ha sufrido daños como resultado de un uso inapropiado o abuso, negligencia, accidente, desgaste normal, o cualquier otra causa no relacionada con un defecto de materiales o fabricación (incluyendo, pero no de forma exclusiva, la combinación del producto de Thrustmaster con cualquier elemento no adecuado, incluyendo en particular fuentes de alimentación, baterías recargables, cargadores o cualquier otro elemento no suministrado por Guillemot para este producto); (2) si el producto se ha empleado para otro uso distinto del doméstico, incluyendo fines profesionales o comerciales (salones de juego, entrenamiento, competiciones, por ejemplo); (3) en caso de incumplimiento de las instrucciones proporcionadas por el Soporte Técnico; (4) a software, es decir software sujeto a una garantía específica; (5) a consumibles (elementos que se tienen que reemplazar a lo largo de la vida del producto: por ejemplo, baterías desechables o almohadillas para auriculares de audio); (6) a accesorios (por ejemplo, cables, cajas, bolsas, bolsos o muñequeras); (7) si el producto se ha vendido en una subasta pública.

Esta garantía no es transferible.

Los derechos legales del consumidor en relación con las leyes aplicables a la venta de productos de consumo de su país no se ven afectados por esta garantía.

### Provisiones de garantía adicionales

Durante el período de garantía, Guillemot no proporcionará, en principio, ninguna pieza de repuesto, ya que el Soporte Técnico es el único autorizado para abrir y/o reacondicionar los productos de Thrustmaster (con la excepción de los procedimientos de reacondicionamiento que el Soporte técnico puede solicitar que lleve a cabo el consumidor, mediante instrucciones por escrito – por ejemplo, debido a la simplicidad y la falta de confidencialidad del proceso de reacondicionamiento – y suministrando al consumidor las piezas de repuesto necesarias, si hiciere falta).

Debido a sus ciclos de innovación y para proteger su know-how y secretos comerciales, Guillemot no proporcionará, en principio, ninguna pieza de repuesto ni instrucciones de reacondicionamiento para los productos de Thrustmaster cuyo período de garantía haya vencido.

### Responsabilidad

Si la ley aplicable lo permite, Guillemot Corporation S.A. (en lo sucesivo "Guillemot") y sus filiales renuncian a toda responsabilidad por los daños causados por uno o más de los siguientes motivos: (1) el producto ha sido modificado, abierto o alterado; (2) incumplimiento de las instrucciones de montaje; (3) uso inapropiado o abuso, negligencia, accidente (un impacto, por ejemplo); (4) desgaste normal; (5) el producto se ha empleado para otro uso distinto del doméstico, incluyendo fines profesionales o comerciales (salones de juego, entrenamiento, competiciones, por ejemplo). Si la ley aplicable lo permite, Guillemot y sus filiales renuncian a toda responsabilidad por los daños no relacionados con defectos de materiales o fabricación en relación con el producto (incluyendo, pero no de forma exclusiva, los daños causados de forma directa o indirecta por cualquier software, o por combinar el producto de Thrustmaster con cualquier elemento no adecuado, incluyendo en particular fuentes de alimentación, baterías recargables, cargadores o cualquier otro elemento no suministrado por Guillemot para este producto).

**THRUSTMASTER®**

**SOPORTE TÉCNICO**

<http://support.thrustmaster.com>





## COPYRIGHT

© 2017 Guillemot Corporation S.A. Todos los derechos reservados. Thrustmaster® es una marca comercial registrada de Guillemot Corporation S.A.

Licenciado para la venta en Europa, África, Oriente Medio, Rusia, India y Oceanía. Para usar exclusivamente con PlayStation®3 y PlayStation®4.

Todas las demás marcas comerciales son propiedad de sus respectivos dueños. Ilustraciones no vinculantes. Los contenidos, diseños y especificaciones están sujetos a cambios sin previo aviso y pueden variar de un país a otro. Fabricado en China.

Fabricado y distribuido por Guillemot Corporation S.A.

## RECOMENDACIÓN DE PROTECCIÓN AMBIENTAL



\* En la Unión Europea: Al terminar su vida útil, este producto no debe tirarse en un contenedor de basuras estándar, sino que debe dejarse en un punto de recogida de desechos eléctricos y equipamiento electrónico para ser reciclado.

Esto viene confirmado por el símbolo que se encuentra en el producto, manual del usuario o embalaje.

Dependiendo de sus características, los materiales pueden reciclarse. Mediante el reciclaje y otras formas de procesamiento de los desechos eléctricos y el equipamiento electrónico puedes contribuir de forma significativa a ayudar a proteger el medio ambiente.

Contacta con las autoridades locales para más información sobre el punto de recogida más cercano.

Para los demás países: cumple las leyes locales sobre reciclaje de equipos eléctricos y electrónicos.

Esta información debe conservarse. Los colores y motivos decorativos pueden variar.

Los adhesivos y los cierres de plástico se deben quitar del producto antes de utilizarlo.

[www.thrustmaster.com](http://www.thrustmaster.com)

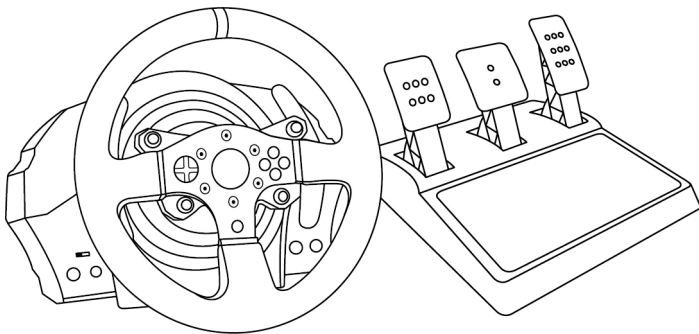
*\*Aplicable únicamente a la UE y Turquía*



# T300RS

## GT Edition

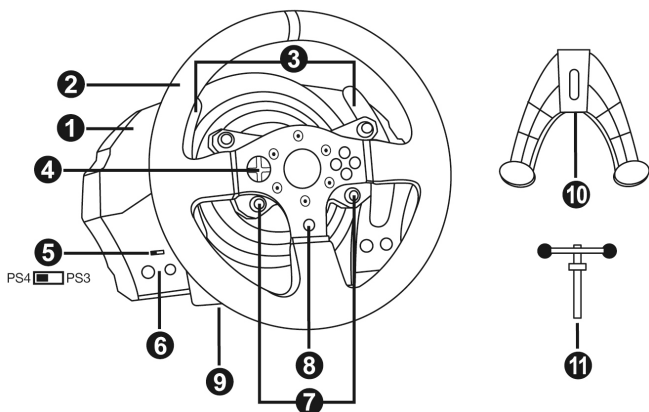
### Manual do Utilizador



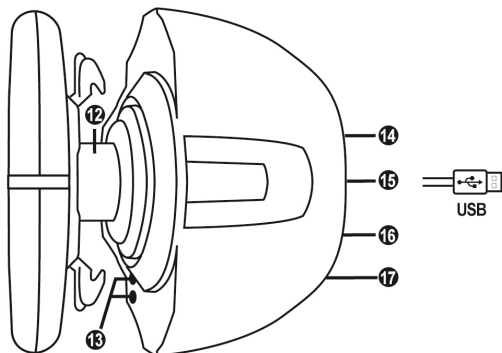
#### **ATENÇÃO:**

Para garantir que o seu volante T300 funciona corretamente com jogos, poderá ser-lhe pedido para instalar as atualizações automáticas dos jogos (disponível quando o sistema está ligado à Internet).

## CARACTERÍSTICAS TÉCNICAS



- |   |  |
|---|--|
| 1 Base do T300 RS   | 7 Botões SELECT/START na PS3™ e SHARE/OPTIONS na PS4™                  |
| 2 Volante T300 GT   | 8 Botão PS   |
| 3 2 pás de mudança de velocidades sequenciais (Up e Down) | 9 Furo roscado grande (para o sistema de fixação e parafuso de aperto) |
| 4 D-Pad multidirecional                                   | 10 Sistema de fixação  |
| 5 Seletor deslizante integrado USB para a PS4™/PS3™       | 11 Parafuso de aperto de metal   |
| 6 Botão MODE + luz indicadora vermelha/verde              |  |



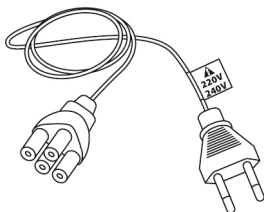
- |   |  |
|---|--|
| 12 Thrustmaster Quick Release                                     | 15 Cabo e conector USB do volante  |
| 13 Botões L3/R3   | 16 Conector da caixa de velocidades (caixa de velocidades vendida à parte) |
| 14 Conector de alimentação (tipo A ou B) (varia consoante o país) | 17 Conector do conjunto de pedais  |

## LIGAR O VOLANTE A UMA TOMADA ELÉTRICA: LEIA ANTES DE CONTINUAR!

A fonte de alimentação do volante varia de acordo com o país onde adquiriu o seu dispositivo.  
A alimentação pode ser:

### Interna.com:

- \* uma unidade de alimentação situada diretamente no interior da base do volante, com um conector de tipo A.
- \* um cabo de alimentação de 220-240 V.
- = compatível apenas com energia elétrica de 220-240 V.

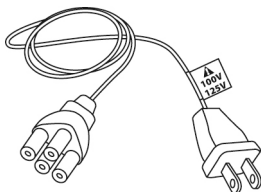


**Nunca ligue o cabo de 220-240 V  
a uma tomada elétrica de 100-130 V!  
Nunca ligue este cabo a um transformador!**



### Interna.com:

- \* uma unidade de alimentação situada diretamente no interior da base do volante, com um conector de tipo A.
- \* um cabo de alimentação de 100-125 V.
- = compatível apenas com energia elétrica de 100-125 V.



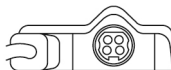
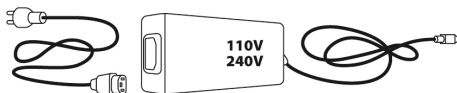
**Nunca ligue o cabo de 100-125 V  
a uma tomada elétrica de 220-240 V!  
Nunca ligue este cabo a um transformador!**



**IMPORTANTE: se não sabe que tensão é fornecida na zona onde tenciona utilizar o volante, pergunte ao seu fornecedor de eletricidade local.**

### Externa.com:

- \* uma unidade de alimentação externa, com um conector de tipo B.
- \* um cabo de alimentação.
- = compatível com todas as tensões elétricas, de 110 a 240 V.



## AVISOS

Antes de utilizar este produto, leia atentamente este manual e guarde-o para posterior consulta.



### **Atenção – Choque elétrico**

- \* Guarde o produto num local seco e não o exponha ao pó nem à luz do sol.
- \* Não torça nem puxe os conectores e os cabos.
- \* Não derrame líquidos sobre o produto ou os respetivos conectores.
- \* Não provoque um curto-circuito no produto.
- \* Nunca desmonte o produto, não o atire para o fogo nem o exponha a temperaturas elevadas.
- \* Não utilize um cabo de alimentação diferente do fornecido com o volante.
- \* Não utilize o cabo de alimentação se o cabo ou os conectores estiverem danificados, fendidos ou partidos.
- \* Certifique-se de que o cabo de alimentação está corretamente ligado a uma tomada elétrica, assim como ao conector situado na parte posterior da base do volante.
- \* Não abra o volante: não contém peças utilizáveis pelo utilizador no interior. Todas as reparações devem ser realizadas pelo fabricante, pelo seu representante autorizado ou por um técnico qualificado.
- \* Utilize apenas sistemas de fixação/acessórios especificados pelo fabricante.
- \* Se o volante estiver a funcionar de forma anormal (se emite quaisquer sons, calor ou cheiros anormais), pare imediatamente de utilizá-lo, desligue o cabo de alimentação da tomada e desligue os outros cabos.
- \* Se não utilizar o volante durante um longo período de tempo, desligue o respetivo cabo de alimentação da tomada elétrica.



### **Aberturas de ventilação**

Certifique-se de que não tapa as aberturas de ventilação na base do volante. Para uma ventilação ideal, certifique-se do seguinte:

- \* Posicione a base do volante a pelo menos 10 cm de distância de quaisquer paredes.
- \* Não coloque a base em espaços apertados.
- \* Não tape a base.
- \* Não deixe que pó se acumule nas aberturas de ventilação.



**Por razões de segurança, nunca utilize o conjunto de pedais com os pés descalços ou apenas com meias calçadas nos pés.  
A THRUSTMASTER® NÃO ASSUME QUALQUER RESPONSABILIDADE NA  
EVENTUALIDADE DE DANOS FÍSICOS RESULTANTES DA UTILIZAÇÃO DO  
CONJUNTO DE PEDAIS SEM CALÇADO.**



### **Atenção – Ferimentos resultantes dos efeitos Force Feedback e dos movimentos repetidos**

Jogar com um volante Force Feedback poderá causar dores musculares ou articulares. Para evitar quaisquer problemas:

- \* Evite jogar durante longos períodos de tempo.
- \* Faça um intervalo de 10 a 15 minutos após cada hora de jogo.
- \* Se sentir cansaço ou dores nas mãos, pulsos, braços, pés ou pernas, pare de jogar e descanse durante algumas horas antes de recomençar a jogar.



**Atenção – Ferimentos resultantes dos efeitos Force Feedback e dos movimentos repetidos (continuação)**

- \* Se os sintomas ou as dores acima indicados persistirem quando recomeçar a jogar, pare de jogar e consulte o seu médico.
- \* Guarde o volante fora do alcance das crianças.
- \* Durante o jogo, mantenha sempre ambas as mãos posicionadas corretamente no volante sem largá-lo por completo.
- \* Durante o jogo, nunca coloque as mãos ou os dedos por baixo dos pedais ou perto do conjunto de pedais.
- \* Durante a calibração e o jogo, nunca coloque a mão ou o braço através das aberturas existentes no volante.
- \* Certifique-se de que a base do volante está devidamente fixada, de acordo com as instruções do manual.



Produto para ser manuseado apenas por utilizadores com 16 anos de idade ou mais

PRODUTO PESADO



Tenha cuidado para não deixar cair o produto em cima de si ou de outra pessoa!

SEMPRE



NUNCA



NUNCA





### **Atenção – Perigo de entalamento no conjunto de pedais ao jogar**

- \* Guarde o conjunto de pedais fora do alcance das crianças.
- \* Quando jogar, nunca coloque os dedos nos lados dos pedais nem perto dos mesmos.
- \* Quando jogar, nunca coloque os dedos na base posterior dos pedais nem perto da mesma.
- \* Quando jogar, nunca coloque os dedos na base frontal dos pedais nem perto da mesma.

**NUNCA**



**NUNCA**



**NUNCA**



### **Atenção – Perigo de entalamento no conjunto de pedais em inatividade**

- \* Guarde o conjunto de pedais num local seguro e fora do alcance das crianças.

## **ATUALIZAR O FIRMWARE DO VOLANTE**

O firmware incluído na base do volante pode ser atualizado para uma versão mais recente que inclua melhoramentos do produto.

Para visualizar a versão do firmware que o volante utiliza atualmente e atualizá-la, se necessário: no PC, acesse a <http://support.thrustmaster.com>. Clique em **Volantes / T300 RS**, em seguida selecione **Firmware** e siga as instruções que descrevem o procedimento de transferência e instalação.

#### **Observação importante:**

**No PC, o interruptor USB(5) na base do volante deve sempre permanecer na posição PS3™.**

## INSTALAR O VOLANTE NA RESPECTIVA BASE

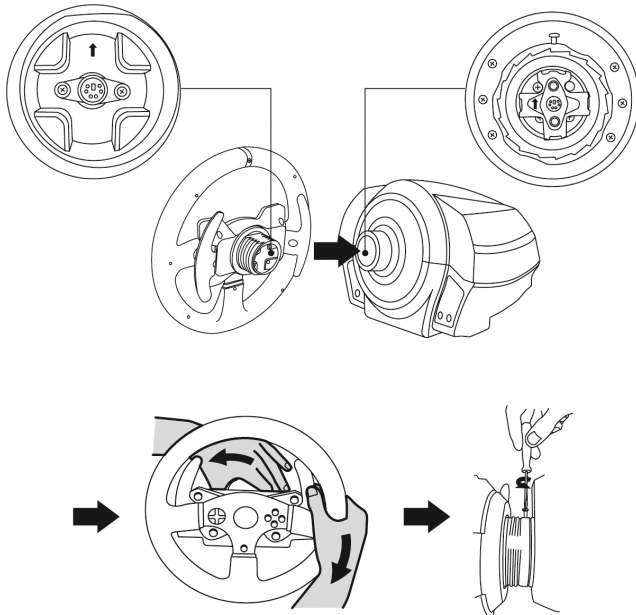
Alinhe as posições dos conectores com as setas:

**Conector da base (1):** Seta a apontar para cima

**Conector do volante (2):** Seta a apontar para cima

Assim que os conectores estiverem posicionados corretamente, rode o anel do dispositivo Thrustmaster Quick Release (12) no sentido anti-horário enquanto mantém o volante (2) na posição.

Em seguida, aperte o anel o máximo que conseguir, para tal, mantenha o anel na posição e rode o volante no sentido horário.



Depois de instalar o volante, rode-o 180° (quando está virado de frente para o volante, o logótipo GT deve ficar virado ao contrário) para aceder ao parafuso de fixação pequeno situado no anel do dispositivo Thrustmaster Quick Release (12). Utilize uma chave de fendas Philips grande para apertar o parafuso de fixação pequeno (não aplique força excessiva), rodando-o no sentido horário.



Quando utilizar uma chave de fendas Philips, **NÃO** aplique uma força excessiva ao apertar o pequeno parafuso de fixação!

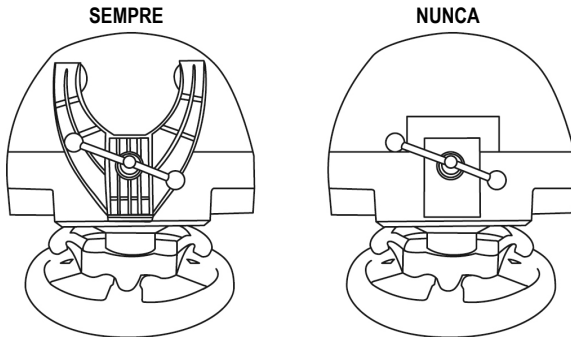
Pare de rodar o parafuso assim que sentir alguma resistência.



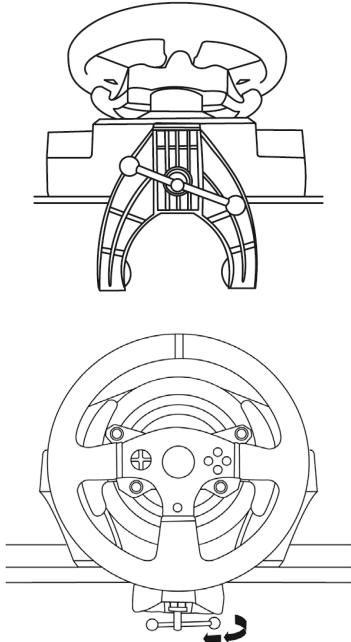
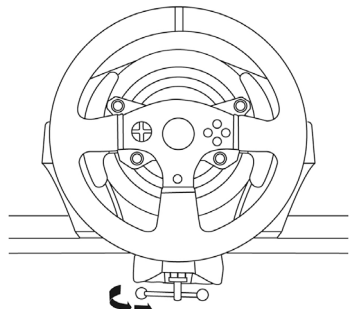
## FIXAR O VOLANTE

### Fixar o volante a uma mesa ou secretária

1. Coloque o volante sobre uma mesa ou de qualquer outra superfície horizontal, plana e estável.
2. Insira o parafuso de aperto (11) no sistema de fixação (10), em seguida aperte o dispositivo rodando o parafuso no sentido anti-horário, de forma que penetre no furo roscado grande (9) situado por baixo do volante, até o volante estar perfeitamente estável.



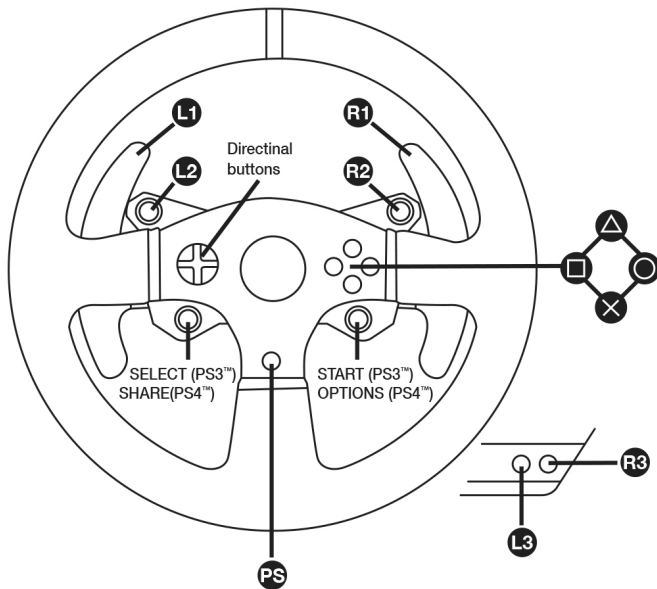
**ATENÇÃO:** Nunca aperte apenas o parafuso, sem o sistema de fixação instalado!  
(Se o fizer, poderá danificar o volante.)

FIXAÇÃO / REMOÇÃO	DIREÇÃO
<p><b><u>Para apertar:</u></b></p> <p><i>Rode o parafuso no sentido anti- horário</i></p>	
<p><b><u>Para soltar:</u></b></p> <p><i>Rode o parafuso no sentido horário</i></p>	

## Fixar a base do volante a um cockpit

1. Coloque a base do volante na prateleira do cockpit.
2. Insira dois parafusos M6 (não incluídos) na prateleira do cockpit e em seguida enrosque-os nas duas roscas de parafuso pequenas situadas na parte inferior do volante.  
*Importante:* O comprimento dos dois parafusos M6 não deve exceder a espessura da prateleira + 12 mm; os parafusos mais compridos poderão causar danos nos componentes internos situados na base do volante.
3. Se necessário, aperte o sistema de fixação padrão inserindo o parafuso de aperto no furo roscado grande.

## MAPEAR A PLAYSTATION®3 E PLAYSTATION®4



## CONFIGURAR O VOLANTE PARA A PLAYSTATION®3 OU PLAYSTATION®4

1. Ligue o conjunto de pedais ao conector (17) situado na parte posterior da base do volante.
2. Ligue o cabo de alimentação ao conector (14) situado na parte posterior da base do volante.
3. Ligue o cabo de alimentação a uma tomada elétrica com as mesmas especificações de tensão.



**Para mais informações a este respeito, consulte a secção LIGAR O VOLANTE A UMA TOMADA ELÉTRICA, na página 3 deste manual.**

4. Ajuste o interruptor do seletor USB (5) na base do volante para a posição PS3™ ou PS4™, consoante a consola ou o jogo que está a utilizar.
5. Ligue o conector USB do volante (15) a uma das portas USB da consola.
6. Quando a consola for ligada, o volante irá calibrar-se automaticamente.
7. Na PlayStation®4 (quando o interruptor do seletor USB está ajustado para a posição PS4™): prima o botão PS (8) do volante e inicie sessão na sua conta Sony Entertainment Network, para poder utilizar o volante.

***Está pronto para começar a jogar!***

### Notas importantes:

- O interruptor do seletor USB (5) na base do volante deve ser sempre ajustado para a posição correta (PS3™ ou PS4™) antes de ligar o cabo USB do volante à consola. Para mudar a posição do interruptor do seletor, desligue o cabo USB da consola e em seguida mude a posição do interruptor antes de voltar a ligar o cabo USB à consola.
- Na PlayStation®3, o interruptor do seletor USB (5) deve estar sempre ajustado para a posição PS3™:
  - \* O volante é reconhecido na maioria dos jogos como um volante T500 RS.
  - \* O volante está funcional em jogos compatíveis e nos menus da consola.
  - \* A função “PS” está funcional no volante.
- Na PlayStation®4, com o interruptor do seletor USB (5) na posição PS3™:
  - \* O volante é reconhecido na maioria dos jogos como um volante T500 RS.
  - \* O volante está funcional em jogos compatíveis, mas não nos menus da consola.
  - \* As funções “SHARE” e “PS” não estão funcionais no volante.
- Na PlayStation®4, com o interruptor do seletor USB (5) na posição PS4™:
  - \* Não se esqueça de premir o botão PS (8) do volante para poder utilizá-lo.
  - \* O volante é reconhecido na maioria dos jogos como um volante T300 RS.
  - \* O volante está funcional em jogos compatíveis e nos menus da consola.
  - \* As funções “SHARE” e “PS” estão funcionais no volante.
- *A lista de jogos para a PlayStation®3 e PlayStation®4 compatíveis com o T300 RS (juntamente com a posição necessária do interruptor do seletor USB (5) de acordo com o jogo utilizado) está disponível em:*

**<http://support.thrustmaster.com>**

***(clique em Volantes / T300 RS / Configurações de jogos).***

***Esta lista é atualizada regularmente.***

## CONFIGURAR O VOLANTE PARA O PC\*

\* A compatibilidade com o PC não é testada e homologada pela Sony Interactive Entertainment Europe.

Para mais informações, aceda a <http://support.thrustmaster.com>.

## CALIBRAGEM AUTOMÁTICA DO VOLANTE E DO CONJUNTO DE PEDAIS

O volante calibra-se automaticamente quando liga o volante a uma tomada elétrica e o conector USB do volante à consola.

Durante esta fase, o volante roda rapidamente para a esquerda e direita, cobrindo um ângulo de 1080 graus, antes de parar no centro.



### **ATENÇÃO:**

**Nunca toque no volante durante a fase de autocalibragem!**  
*(Isto poderá resultar numa calibragem incorreta e/ou em ferimentos pessoais.)*

## CALIBRAGEM AUTOMÁTICA DO CONJUNTO DE PEDAIS

Nunca ligue o conjunto de pedais à base do volante (nem o desligue da base) quando estiver ligado à consola ou durante o jogo (isto poderá resultar numa calibragem incorreta).

Ligue sempre o conjunto de pedais antes de ligar o volante à consola.

Quando a calibragem do volante estiver concluída e o jogo tiver iniciado, os pedais são calibrados automaticamente ao fim de várias pressões.



### **ATENÇÃO:**

**Nunca carregue nos pedais durante a fase de autocalibragem do volante ou quando um jogo estiver a ser carregado!**  
*(Isto poderá resultar numa calibragem incorreta.)*

**Se o volante e/ou o conjunto de pedais não funcionam corretamente, ou se parecem estar calibrados incorretamente:**

Desligue a consola e desligue todos os cabos do volante. Em seguida, volte a ligar todos os cabos (incluindo o cabo de alimentação e o conjunto de pedais) e reinicie a consola e o jogo.

## SENSOR DA TEMPERATURA INTERNA

O sistema de refrigeração do volante é composto por um dissipador de calor e uma ventoinha.

- Um termóstato monitoriza a temperatura interna do volante.
- Quando utiliza o volante num jogo:
  - A ventoinha de refrigeração arranca quando o volante atinge uma determinada temperatura (ao fim de alguns minutos de jogo, em função da intensidade dos efeitos Force Feedback utilizados).
  - A potência dos efeitos Force Feedback diminui automaticamente assim que o volante atinge uma temperatura muito mais alta (para proteger o motor). A intensidade destes efeitos aumenta automaticamente assim que a temperatura desce ligeiramente.
- Quando acaba de jogar: devido à inércia térmica do motor, a ventoinha de refrigeração continua a funcionar até a temperatura ser inferior ao nível de arranque da ventoinha. O volante foi concebido desta forma para facilitar o arrefecimento e proteger o motor (isto poderá demorar entre 5 e 45 minutos, consoante a temperatura atingida ao utilizar o volante num jogo).

## BOTÃO MODE E LUZ INDICADORA (6)

### Botão MODE para o conjunto de pedais

O T300 é compatível com conjuntos de pedais Thrustmaster dotados de 3 pedais; estes permitem-lhe trocar eletronicamente os pedais do acelerador e da embraiagem.

Para tal, basta premir o botão MODE (6) durante 2 segundos.

A memória interna do volante memoriza se os pedais foram trocados ou não.

PEDAIS DO ACELERADOR E DA EMBRAIAGEM	Cor da luz indicadora MODE (6)
NORMAL	VERMELHA
TROCADOS	VERDE

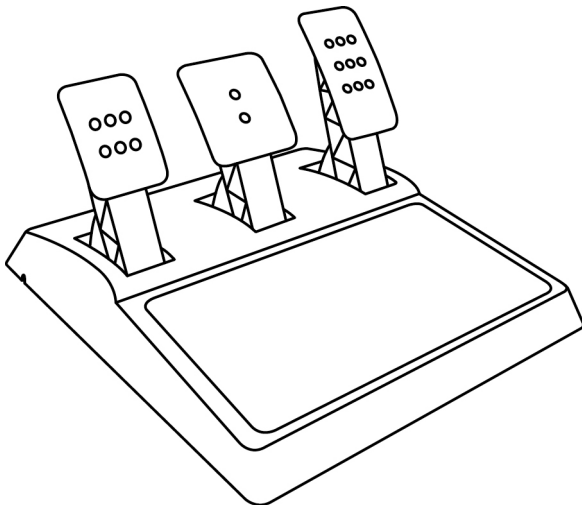
### Outras sugestões relativas ao botão MODE

Para saber mais sobre o botão MODE e a luz indicadora, aceda a <http://support.thrustmaster.com>. Clique em **Volantes / T300 RS** e em seguida seleccione **Manual** ou **FAQ**.

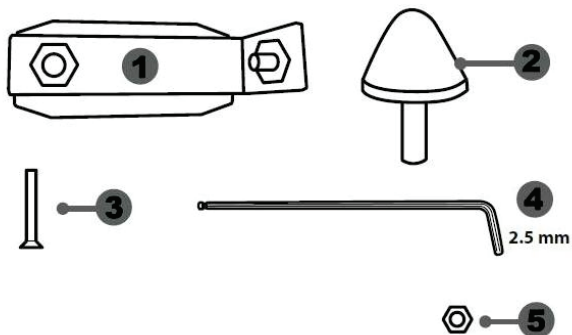
## FICHEIROS DE AJUDA E FAQ (NÃO INCLUÍDOS NESTE MANUAL)

Aceda a <http://support.thrustmaster.com>. Clique em **Volantes / T300 RS** e em seguida seleccione **Manual** ou **FAQ**.

# CONJUNTO DE PEDAIS **T3PA – GT EDITION**

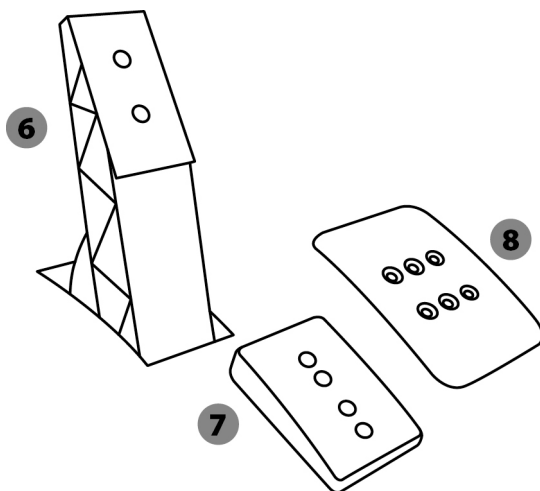


## CARACTERÍSTICAS TÉCNICAS



- 1 Apoio de metal para batente cónico  
(*não instalado por predefinição*)
- 2 Batente cónico
- 3 Parafuso de fixação para o apoio de metal

- 4 Chave sextavada de 2,5 mm (incluída)
- 5 Porca de ajuste da posição para o batente cónico



- 6 Braço do pedal
- 7 Apoio de plástico da cabeça

- 8 Cabeça de metal do pedal



## ATENÇÃO

Antes de utilizar este produto, leia atentamente estas instruções e guarde-as para uma consulta posterior.



Por razões de segurança, nunca utilize o conjunto de pedais com os pés descalços ou quando estiver apenas de meias calçadas.  
**A THRUSTMASTER® NÃO ASSUME QUALQUER RESPONSABILIDADE NA EVENTUALIDADE DE DANOS FÍSICOS RESULTANTES DA UTILIZAÇÃO DO CONJUNTO DE PEDAIS SEM CALÇADO.**



**Atenção – Perigo de entalamento no conjunto de pedais durante as sessões de jogo**

- \* Mantenha o conjunto de pedais fora do alcance das crianças.
- \* Durante as sessões de jogo, nunca coloque os dedos nos lados dos pedais.
- \* Durante as sessões de jogo, nunca coloque os dedos na base posterior dos pedais ou perto da mesma.
- \* Durante as sessões de jogo, nunca coloque os dedos na base frontal dos pedais ou perto da mesma.

**NUNCA**



**NUNCA**



**NUNCA**



## CALIBRAGEM AUTOMÁTICA DOS PEDAIS



### **IMPORTANTE:**

- Nunca ligue nem desligue o conjunto de pedais da base do volante quando este estiver ligado ao sistema PS3™ ou PS4™, ou durante as sessões de jogo, para evitar problemas de calibragem.
- Ligue sempre o conjunto de pedais ao volante antes de ligar o volante ao sistema PS3™ ou PS4™.
- Quando a calibragem automática do volante estiver concluída e o jogo tiver começado, os pedais calibram-se automaticamente depois de carregar neles várias vezes.
- Nunca carregue nos pedais quando o volante estiver a executar a calibragem automática ou quando o jogo estiver a começar, a fim de evitar problemas de calibragem.
- Se os pedais não funcionarem corretamente ou parecerem estar calibrados indevidamente, desligue a consola, desligue completamente o volante, volte a ligar todos os cabos (incluindo o cabo de alimentação e o cabo do conjunto de pedais), ligue novamente a consola e reinicie o jogo.

## FIXAR O CONJUNTO DE PEDAIS A UM COCKPIT

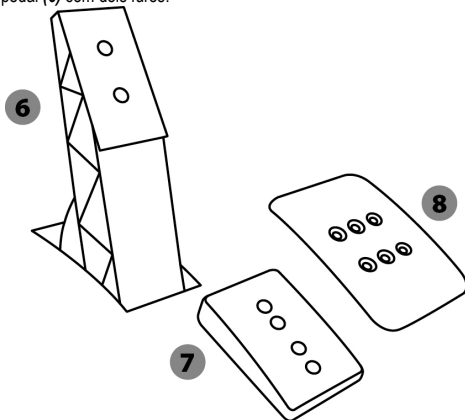
- Fixe o conjunto de pedais utilizando as pequenas roscas de parafusos situadas na parte inferior do conjunto de pedais.
- Enrosque dois parafusos M6 (não incluídos) na chapa de apoio do conjunto de pedais e nas duas pequenas roscas de parafusos situadas na parte inferior do conjunto de pedais.

**Importante:** O comprimento dos dois parafusos M6 não deve exceder a espessura da chapa de apoio dos pedais do cockpit mais 10 mm, para evitar danificar os componentes internos do conjunto de pedais.

## AJUSTAR O CONJUNTO DE PEDAIS

Cada um dos três pedais inclui:

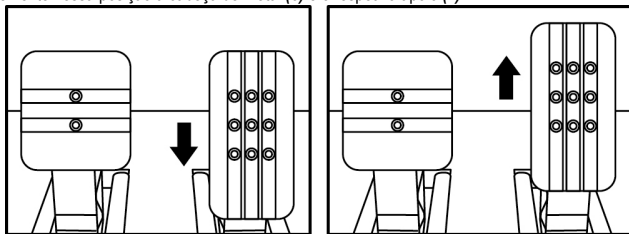
- Uma cabeça de metal (8) com vários furos (nove para o acelerador, dois para o travão e seis para a embraiagem).
- Um apoio de plástico da cabeça (7) (colocado entre a cabeça e o braço) com quatro furos.
- Um braço do pedal (6) com dois furos.



**ATENÇÃO:** Para evitar problemas de calibragem, desligue sempre o cabo USB do volante do sistema PS3™ ou PS4™ antes de realizar quaisquer ajustes no conjunto de pedais.

### Ajustar a ALTURA do pedal do acelerador

- Com a chave sextavada de 2,5 mm incluída (4), desenrosque os dois parafusos que prendem a cabeça de metal (8) e o respetivo apoio (7) na posição.
- Seleccione a sua posição de altura preferida e em seguida reaperte os parafusos de forma a fixar firmemente nessa posição a cabeça de metal (8) e o respetivo apoio (7).



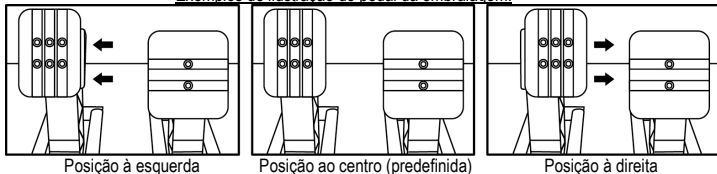
Posição baixa (predefinida)

Posição alta

## Ajustar o ESPAÇAMENTO

- Com a chave sextavada de 2,5 mm incluída (4), desenrosque os dois parafusos que prendem a cabeça de metal (8) e o respetivo apoio (7) na posição.
- Selecione a sua posição preferida (à esquerda, ao centro ou à direita) e em seguida reaperte os parafusos de forma a fixar firmemente nessa posição a cabeça de metal (8) e o respetivo apoio (7).

Exemplos de ilustração do pedal da embraiagem:



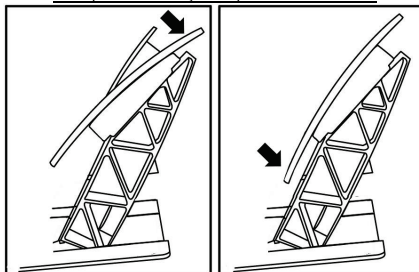
Número de posições de espaçamento possíveis por pedal:

- Três para o pedal do acelerador
- Três para o pedal da embraiagem

## Ajustar a INCLINAÇÃO dos pedais

- Com a chave sextavada de 2,5 mm incluída (4), desenrosque os dois parafusos que prendem a cabeça de metal (8) e o respetivo apoio (7) na posição.
- Rode o apoio de plástico da cabeça (7) 180° e em seguida reaperte os parafusos de forma a fixar firmemente nessa posição a cabeça de metal (8) e o respetivo apoio (7).

Exemplos de ilustração do pedal do acelerador:



Posição menos inclinada      Posição mais inclinada (predefinida)

Número de posições de inclinação possíveis por pedal:

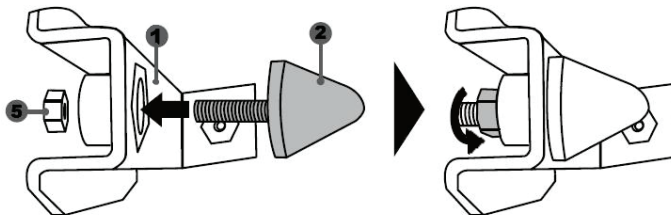
- Duas para o pedal do acelerador
- Duas para o pedal do travão
- Duas para o pedal da embraiagem

## Instalar o batente cónico (“CONICAL RUBBER BRAKE” mod)

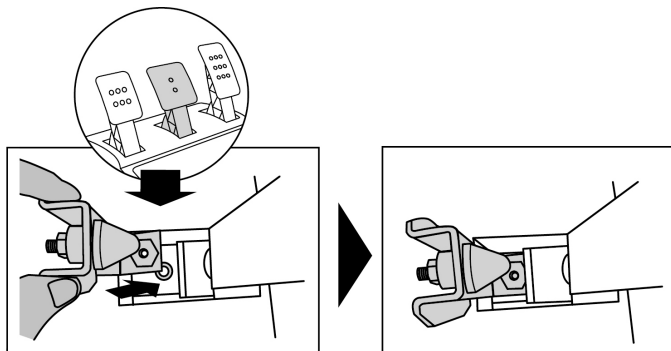
Esta modificação (ou “mod”) não é essencial, não sendo instalada por predefinição. Isto significa que o pedal do travão funciona perfeitamente mesmo sem a mod instalada.

Esta mod permite-lhe experimentar uma sensação e uma resistência diferentes ao travar. Cabe a si decidir se deve ou não instalá-la, de acordo com as suas próprias preferências.

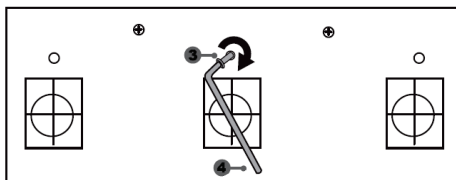
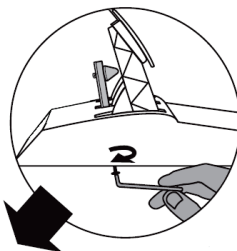
- Enrosque o batente cónico (2) no respetivo apoio de metal (1).
- Enrosque a porta de ajuste da posição (5) ao fundo (na rosca de parafuso do batente cónico).



- Coloque a unidade na parte posterior do braço do pedal do travão.



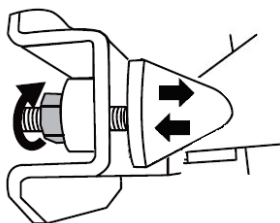
- Com a chave sextavada de 2,5 mm incluída (4), fixe a unidade utilizando o parafuso de fixação (3) e a pequena rosca de parafuso situada na parte inferior do conjunto de pedais.



*A "CONICAL RUBBER BRAKE" mod encontra-se agora instalada!*

## Ajustar o CURSO e a FORÇA da resistência do pedal do travão

Ao desenroscar ligeiramente a porca (5), pode aumentar a resistência do pedal do travão aproximando o batente cónico (2) da parte posterior do braço do pedal (se necessário, utilize uma chave de porcas de 14 mm ou um alicate para reapertar a porca e manter a posição selecionada). Quanto mais perto o batente cónico estiver da parte posterior do braço do pedal, maior será a força da resistência.



**Nota:** Quando o batente cónico estiver muito perto da parte posterior do braço do pedal do travão, poderá ter dificuldade para atingir o valor de calibragem máximo. Se for esse o caso:

\* Lentamente, carregue com força no pedal do travão para atingir o valor máximo (se necessário, coloque-se de pé durante breves instantes em cima do pedal – apenas 1 segundo) e em seguida alivie a pressão; ou

\* Afaste ligeiramente o batente cónico da parte posterior do braço do pedal do travão.

## **INFORMAÇÕES SOBRE A GARANTIA PARA O CONSUMIDOR**

A Guillemot Corporation S.A., com sede social sita em Place du Granier, B.P. 97143, 35571 Chantepele, França (a seguir designada como "Guillemot") garante a nível mundial ao consumidor que este produto Thrustmaster está livre de defeitos em termos de materiais e fabrico durante um período de garantia que corresponde ao limite de tempo para intentar uma ação de conformidade relativamente a este produto. Nos países da União Europeia, isto corresponde a um período de dois (2) anos desde a entrega do produto Thrustmaster. Noutros países, o período de garantia corresponde ao limite de tempo para intentar uma ação de conformidade relativamente ao produto Thrustmaster de acordo com a legislação em vigor do país no qual o consumidor residia à data de compra do produto Thrustmaster (se a dita ação não existir no país correspondente, então o período de garantia será de um (1) ano a partir da data de compra original do produto Thrustmaster.

No caso de o produto apresentar algum defeito durante o período da garantia, contacte imediatamente o Suporte Técnico, que lhe indicará o procedimento a tomar. Se esse defeito se confirmar, o produto terá de ser devolvido ao respetivo local de compra (ou qualquer outro local indicado pelo Suporte Técnico).

No âmbito da presente garantia, e por opção do Suporte Técnico, o produto defeituoso do consumidor será substituído ou reparado. Se, durante o período da garantia, o produto Thrustmaster for submetido à dita reparação, qualquer período mínimo de (7) dias durante o qual o produto estiver fora de serviço será adicionado ao período da garantia restante (este período decorre desde a data do pedido intervenção pelo consumidor ou desde a data em que o produto em questão é disponibilizado para reparação, se a data em que o produto é disponibilizado para reparação for posterior à data do pedido de intervenção). Se for permitido pela legislação em vigor, a responsabilidade total da Guillemot e das respetivas filiais (incluindo para danos indiretos) está limitada à reparação ou à substituição do produto Thrustmaster. Se for permitido pela legislação em vigor, a Guillemot rejeita todas as garantias de comercialização ou adequação a um fim específico.

A presente garantia não se aplicará: (1) se o produto tiver sido modificado, aberto, alterado ou danificado em resultado de utilização inadequada ou abusiva, negligência, acidente, desgaste normal ou qualquer outra causa relacionada com um defeito de material ou fabrico (incluindo, mas sem limitação, combinar o produto Thrustmaster com qualquer elemento inadequado, incluindo, em particular, fontes de alimentação, baterias recarregáveis, carregadores ou quaisquer outros elementos não fornecidos pela Guillemot para este produto); (2) se o produto tiver sido utilizado fora do âmbito da utilização doméstica, incluindo para fins profissionais ou comerciais (salas de jogos, treino e competições, por exemplo); (3) na eventualidade de incumprimento das instruções fornecidas pelo Suporte Técnico; (4) a software, estando o mesmo sujeito a uma garantia específica; (5) a consumíveis (elementos para substituir ao longo da vida útil do produto: baterias descartáveis, auscultadores de áudio ou auriculares de auscultadores, por exemplo); (6) a acessórios (cabos, estojos, bolsas, sacos e correias de pulso, por exemplo); (7) se o produto foi vendido num leilão público.

A presente garantia não é transmissível.

Os direitos legais do consumidor no que concerne à legislação aplicável à venda de bens de consumo no seu país não são afetados pela presente garantia.

### Disposições de garantia adicionais

Durante o período da garantia, a Guillemot não fornecerá, em princípio, quaisquer peças de substituição, uma vez que o Suporte Técnico é a única parte autorizada a abrir e/ou reparar qualquer produto Thrustmaster (à exceção de quaisquer procedimentos de reparação que o Suporte Técnico possa pedir ao consumidor para realizar, através de instruções por escrito – por exemplo, devido à simplicidade e à falta de confidencialidade do processo de reparação – e fornecendo ao consumidor a(s) peça(s) de substituição necessária(s), quando aplicável).

Tendo em conta os seus ciclos de inovação, e a fim de proteger o seu know-how e segredos comerciais, a Guillemot não fornecerá, em princípio, qualquer notificação de reparação ou peças de substituição para produtos Thrustmaster cujo período da garantia tenha expirado.

### Responsabilidade

Se for permitido ao abrigo da legislação aplicável, a Guillemot Corporation S.A. (a seguir designada "Guillemot") e as respetivas filiais rejeitam qualquer responsabilidade por danos resultantes de uma ou mais das seguintes causas: (1) o produto foi modificado, aberto ou alterado; (2) incumprimento das instruções de montagem; (3) utilização inadequada ou abusiva, negligência ou acidente (um impacto, por exemplo); (4) desgaste normal; (5) utilização do produto fora do âmbito além da utilização doméstica, incluindo para fins profissionais ou comerciais (salas de jogos, treino e competições, por exemplo). Se for permitido ao abrigo da legislação aplicável, a Guillemot e as respetivas filiais rejeitam qualquer responsabilidade por danos relacionados com um defeito de material ou fabrico relativamente ao produto (incluindo, mas sem limitação, quaisquer danos causados direta ou indiretamente por qualquer software ou por combinar o produto Thrustmaster com qualquer elemento inadequado, incluindo, em particular, fontes de alimentação, baterias recarregáveis, carregadores ou quaisquer outros elementos não fornecidos pela Guillemot para este produto).

**THRUSTMASTER®**

**SUPOORTE TÉCNICO**

<http://support.thrustmaster.com>





## DIREITOS DE AUTOR

© 2017 Guillemot Corporation S.A. Todos os direitos reservados. Thrustmaster® é uma marca registada da Guillemot Corporation S.A.

Licenciado para venda na Europa, África, Médio Oriente, Rússia, Índia e Oceânia. Para utilização exclusiva com a PlayStation®3 e PlayStation®4.

Todas as outras marcas comerciais pertencem aos respetivos proprietários. As ilustrações não são vinculativas. Os conteúdos, os desenhos e as especificações estão sujeitos a alteração sem aviso prévio e podem variar consoante o país. Fabricado na China.

Fabricado e distribuído pela Guillemot Corporation S.A.

## RECOMENDAÇÕES DE PROTECÇÃO AMBIENTAL



\* Na União Europeia: Quando este produto chegar ao fim da sua vida útil, não o elimine juntamente com os resíduos domésticos normais; em vez disso, deixe-o num ponto de recolha de resíduos de equipamento eléctrico e electrónico (REEE) para posterior reciclagem.

O símbolo presente no produto, no manual de utilizador ou na caixa confirma-o.

Os materiais podem ser reciclados, dependendo das suas características. Através da reciclagem e de outras formas de processamento de resíduos de equipamento eléctrico e electrónico, pode dar um importante contributo no sentido de ajudar a proteger o ambiente.

Contacte as autoridades locais para saber onde fica o ponto de recolha mais perto da sua área de residência.

Relativamente a todos os outros países: Respeite a legislação local sobre a reciclagem de equipamento eléctrico e electrónico.

Informações a reter. As cores e as decorações podem variar.

Os fechos e os adesivos devem ser removidos do produto antes da utilização.

**[www.thrustmaster.com](http://www.thrustmaster.com)**

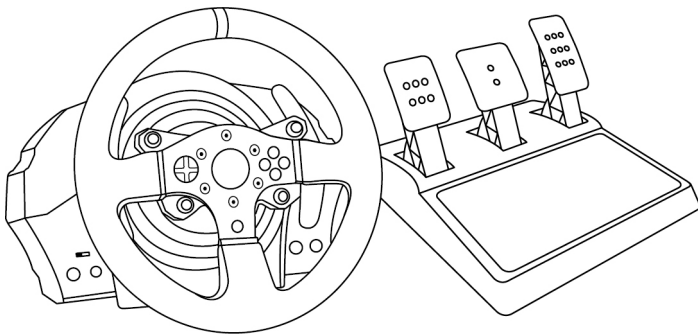
*\*Aplicável apenas à União Europeia e Turquia*



# T300RS

## GT Edition

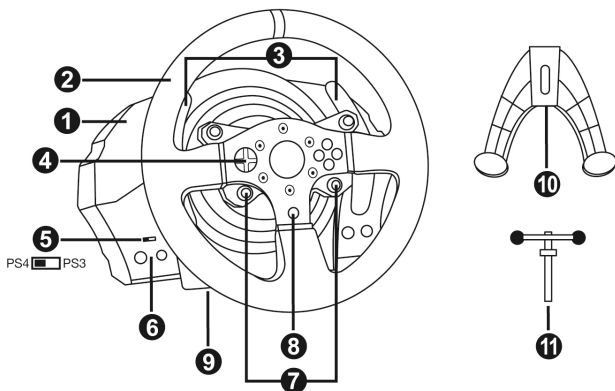
### Инструкция по эксплуатации



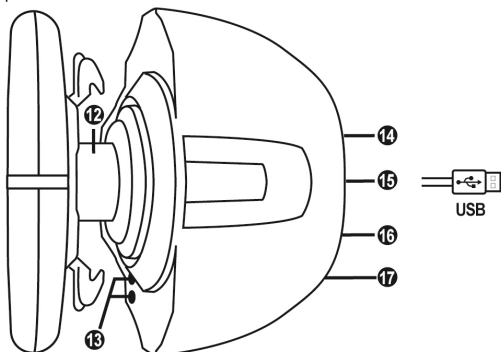
#### **ВНИМАНИЕ!**

Для обеспечения оптимальной совместимости рулевой системы T300 с играми, может потребоваться установка автоматических обновлений для игр (их можно загрузить, подключив игровую систему к Интернету).

## ТЕХНИЧЕСКИЕ ХАРАКТЕРИСТИКИ



- |  |  |
|--|--|
| <p>1 База системы T300 RS</p> <p>2 Руль для консоли T300 GT</p> <p>3 2 лепестковых переключателя (Up и Down)</p> <p>4 Многопозиционная кнопка</p> <p>5 Встроенный переключатель USB для PS4™/PS3™</p> <p>6 Кнопка MODE (Режим) + красный/зеленый индикатор</p> | <p>7 Кнопки SELECT/START для PS3™ или SHARE/OPTIONS для PS4™</p> <p>8 Кнопка PS</p> <p>9 Резьба под большой винт (для системы крепления и крепежного винта)</p> <p>10 Система крепления</p> <p>11 Металлический крепежный винт</p> |
|--|--|



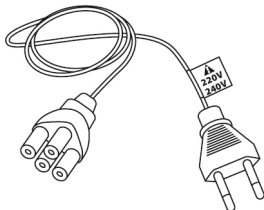
- |   |   |
|---|---|
| <p>12 Система крепления Thrustmaster Quick Release</p> <p>13 Кнопки L3/R3</p> <p>14 Разъем питания (типа A или B) (разные стандарты для разных стран)</p> | <p>15 USB-кабель и разъем рулевой системы</p> <p>16 Разъем для коробки передач (коробка передач приобретается отдельно)</p> <p>17 Разъем для педального блока</p> |
|---|---|


# ПОДКЛЮЧЕНИЕ РУЛЕВОЙ СИСТЕМЫ К ЭЛЕКТРОРОЗЕТКЕ СНАЧАЛА ПРОЧИТАТЕ СЛЕДУЮЩЕЕ!

Тип блока питания рулевой системы зависит от страны приобретения устройства.  
Блок питания может быть одного из следующих типов.

## Встроенный, в следующей комплектации:

- \* блок питания, интегрированный непосредственно в базу рулевого колеса, с разъемом типа A;
- \* кабель питания для сети напряжением 220—240 В  
= совместимый только с розетками 220—240 В.

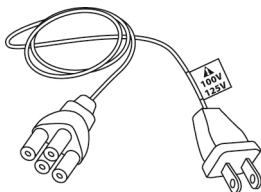



 Кабель для сети 220—240 В нельзя подключать к розетке с напряжением 100—130 В!  
Этот кабель нельзя подключать к сетевому адаптеру!!!



## Встроенный, в следующей комплектации:

- \* блок питания, интегрированный непосредственно в базу рулевого колеса, с разъемом типа A;
- \* кабель питания для сети напряжением 100—125 В  
= совместимый только с розетками 100—125 В.



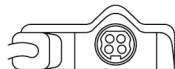
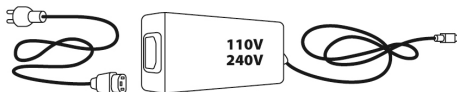
 Кабель для сети 100—125 В нельзя подключать к розетке с напряжением 220—240 В!  
Этот кабель нельзя подключать к сетевому адаптеру!!!



**ВНИМАНИЕ!** Если вам неизвестно, каково напряжение электросети в регионе, где вы используете рулевую систему, обратитесь к местному поставщику энергии.

## Наружный, в следующей комплектации:

- \* наружный блок питания с разъемом типа B;
- \* кабель питания для электросети  
= совместимый с сетью любого напряжения в диапазоне 110—240 В.



## ПРЕДУПРЕЖДЕНИЯ

Перед эксплуатацией данного изделия внимательно ознакомьтесь с настоящей инструкцией и сохраните ее на будущее.



### **Внимание — опасность поражения электрическим током!**

- \* Изделие следует хранить в сухом месте, избегая попадания на него пыли и солнечного света.
- \* Не допускается перекручивание разъемов и кабелей; кабели нельзя тянуть.
- \* Не допускается попадание жидкости на изделие и его разъемы.
- \* Не допускается короткое замыкание в цепи изделия.
- \* Запрещается разбирать изделие, бросать изделие в огонь и подвергать его воздействию высоких температур.
- \* Не допускается использование других кабелей питания, кроме кабеля, входящего в комплект рулевой системы.
- \* Нельзя использовать кабель питания, если он или его разъемы повреждены, потрескались или сломаны.
- \* Убедитесь, что кабель питания должным образом подключен к электророзетке и к разъему на задней стороне базы рулевого колеса.
- \* Нельзя вскрывать систему рулевого колеса — в ней нет деталей, которые могут обслуживаться пользователем. Любой ремонт должен выполняться производителем, его авторизованным представителем или квалифицированным техническим специалистом.
- \* Допускается использование только одобренных производителем систем крепления и аксессуаров.
- \* В случае ненормального функционирования рулевой системы (при возникновении посторонних звуков, перегреве или запахе) следует немедленно прекратить использование системы, выключить кабель питания из розетки и отсоединить все остальные кабели.
- \* Если предполагается, что рулевая система не будет использоваться продолжительное время, отключите кабель питания от розетки.



### **Вентиляционные отверстия**

Не допускается блокирование вентиляционных отверстий на базе рулевой системы. Для обеспечения оптимальной вентиляции выполните следующие указания:

- \* размещайте базу руля на расстоянии не менее 10 см от стен;
- \* не размещайте базу в стесненном пространстве;
- \* ничем не накрывайте базу;
- \* не допускайте скопления пыли на вентиляционных отверстиях.



**Из соображений безопасности никогда не нажимайте на педали босой ногой или ногами в носке (без обуви).**

**КОМПАНИЯ THRUSTMASTER® ОТКАЗЫВАЕТСЯ ОТ ЛЮБОЙ ОТВЕТСТВЕННОСТИ В СЛУЧАЕ ПОЛУЧЕНИЯ ТРАВМЫ В РЕЗУЛЬТАТЕ НАЖИМАНИЯ НА ПЕДАЛИ НЕОБУТЫМИ НОГАМИ.**



**Внимание — риск травмирования в результате повторяющихся движений и действия силовой обратной связи**

Использование рулевой системы с силовой обратной связью может вызвать боль в мышцах или суставах. Советы по предотвращению проблем со здоровьем:

- \* не проводите за игрой продолжительное время;
- \* после каждого часа игры делайте 10-15-минутный перерыв;
- \* если в кистях, запястьях, предплечьях, стопах или ногах появилась усталость или боль, прекратите игру и отдохните в течение нескольких часов, прежде чем снова приступить к игре.
- \* если вышеуказанные признаки проявляются снова при возвращении к игре, прекратите игру и обратитесь к врачу;
- \* держите систему вне доступа детей;
- \* во время игры правильно располагайте обе руки на рулевом колесе и не позволяйте ему вращаться бесконтрольно;
- \* во время игры ни в коем случае не засовывайте руки или пальцы под педали и не держите их рядом с педальным блоком;
- \* во время калибровки и игры ни в коем случае не засовывайте руки в рулевое колесо;
- \* обеспечьте надежную фиксацию базы рулевого колеса в соответствии с указаниями в инструкции по эксплуатации.



Не допускается использование изделия  
лицами моложе 16 лет

**ТЯЖЕЛОЕ ИЗДЕЛИЕ**



Не роняйте изделие на себя или на  
других лиц!

**ПРАВИЛЬНО**



**НЕЛЬЗЯ**



**НЕЛЬЗЯ**





**Предупреждение — возможно сжатие педального блока во время игры**

- \* Держите педальный блок вне доступа детей.
- \* Во время игры ни в коем случае не кладите пальцы на педали и не засовывайте их с боковых сторон педального блока.
- \* Во время игры ни в коем случае не засовывайте их сзади в базу педального блока.
- \* Во время игры ни в коем случае не засовывайте их спереди в базу педального блока.

**НЕЛЬЗЯ**



**НЕЛЬЗЯ**



**НЕЛЬЗЯ**



**Предупреждение — возможно сжатие педального блока во время простоя**

- \* Храните педальный блок в безопасном месте вне зоны доступа детей.

## ОБНОВЛЕНИЕ ПРОШИВКИ РУЛЕВОГО КОЛЕСА

Прошивку в базе рулевого колеса можно обновить до более поздней версии, содержащей усовершенствования.

Для просмотра установленной в данный момент версии прошивки и ее обновления при необходимости откройте сайт <http://support.thrustmaster.com>. Выберите **Гоночные рули / T300 RS**, затем **Прошивка** выполните указания по загрузке и установке.

**Важно!**

При использовании ПК переключатель USB (5) на базе рулевого колеса всегда должен находиться в положении PS3™.

## УСТАНОВКА РУЛЕВОГО КОЛЕСА НА БАЗУ

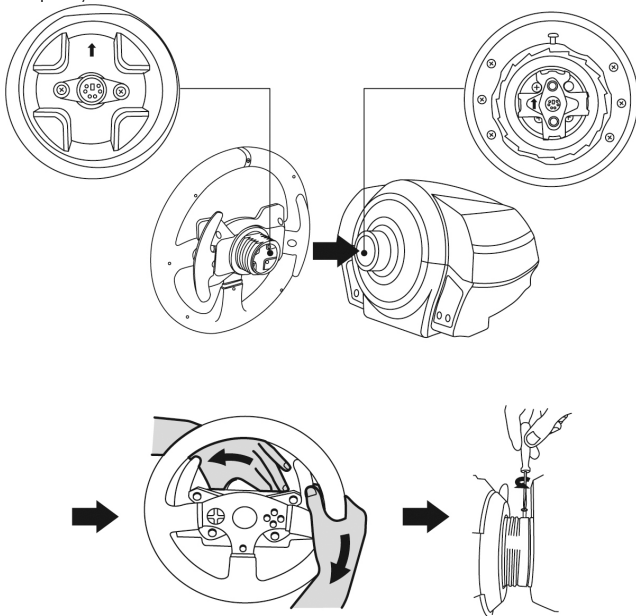
С помощью стрелок соотнесите разъемы.

**Разъем на базе (1):** стрелка указывает вверх.

**Разъем на руле (2):** стрелка указывает вверх.

После правильного позиционирования разъемов просто поверните кольцо крепежной системы Thrustmaster Quick Release (12) против часовой стрелки, удерживая на месте руль (2).

Затем с максимальным усилием затяните кольцо, удерживая его на месте и поворачивая руль (по часовой стрелке).



Установив руль, поверните его на 180° (если смотреть на руль, логотип GT должен быть перевернут «вверх ногами»), чтобы получить доступ к малому крепежному винту на кольце системы Thrustmaster Quick Release (12). С помощью большой отвертки Phillips затяните малый крепежный винт (без чрезмерного усилия) по часовой стрелке.



Не прилагайте чрезмерных усилий при затягивании малого крепежного винта (с помощью отвертки Phillips)!

Прекратите затягивание, как только почувствуете сопротивление

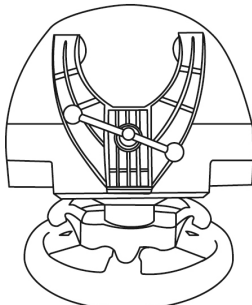


## УСТАНОВКА РУЛЕВОЙ СИСТЕМЫ

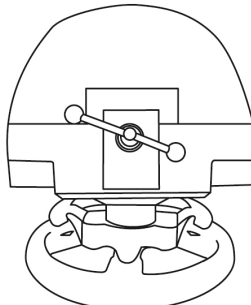
### Размещение рулевого колеса на столе.

1. Расположите гоночный руль на столе или иной горизонтальной плоской и устойчивой поверхности.
2. Вставьте крепежный винт (11) в систему крепления (10) и надежно зафиксируйте руль, затягивая винт против часовой стрелки, так чтобы он вошел в большое резьбовое отверстие (9), расположенное ниже руля.

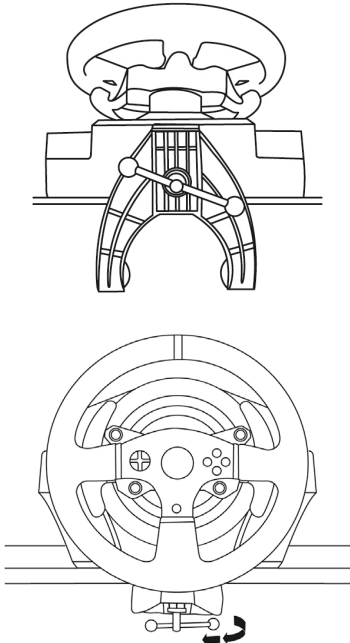
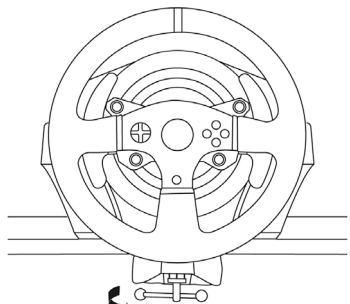
**ПРАВИЛЬНО**



**НЕЛЬЗЯ**



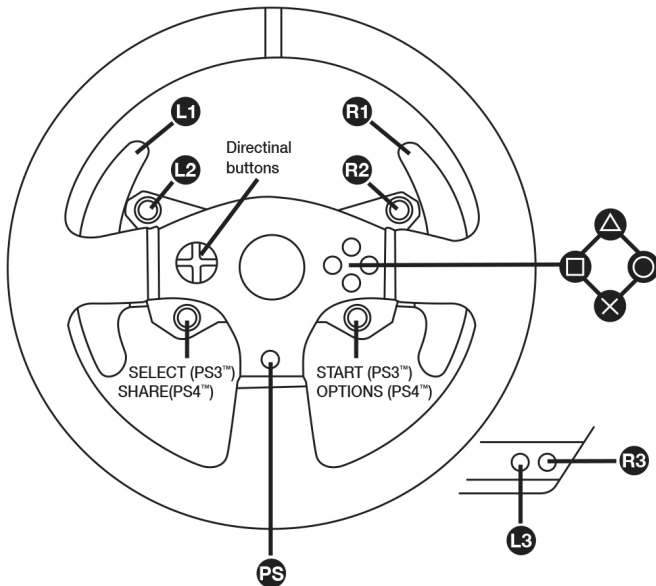
**ВНИМАНИЕ!** Нельзя закручивать винт без системы крепления!  
(В противном случае возможно повреждение рулевой системы.)

УСТАНОВКА / ДЕМОНТАЖ	НАПРАВЛЕНИЕ
<p><b><u>Фиксация</u></b></p> <p><b>Закручивайте винт против часовой стрелки</b></p>	
<p><b><u>Ослабление</u></b></p> <p><b>Раскручивайте винт по часовой стрелке</b></p>	

## Закрепление базы рулевого колеса на кокпите

1. Разместите базу рулевого колеса на щитке кокпита.
2. Через отверстия в щитке кокпита вставьте два винта М6 (не входят в комплект) в два небольших винтовых отверстия на нижней стороне базы руля.  
*Важно! Длина винтов М6 не должна превышать толщину щитка + 12 мм; более длинные винты могут вызвать повреждение внутренних деталей базы руля.*
3. При необходимости затяните стандартную систему крепления, вставив крепежный винт в большое резьбовое отверстие.

## СООТНЕСЕНИЕ ФУНКЦИЙ ДЛЯ PLAYSTATION®3 И PLAYSTATION®4



## НАСТРОЙКА РУЛЕВОЙ СИСТЕМЫ ДЛЯ PLAYSTATION®3 ИЛИ PLAYSTATION®4

1. Подключите педальный блок к разъему (17) на задней стороне базы рулевого колеса.
2. Подключите кабель питания к разъему (14) на задней стороне базы рулевого колеса.
3. Подключите кабель питания к электророзетке соответствующего напряжения.



*Подробнее это описано в разделе «ПОДКЛЮЧЕНИЕ РУЛЕВОЙ СИСТЕМЫ К ЭЛЕКТРОРОЗЕТКЕ» на стр. 3 настоящего руководства.*

4. Переверните переключатель USB-входа (5) на базе рулевого колеса в положение PS3™ или PS4™, в зависимости от используемой консоли или игры.
5. Подключите USB-кабель рулевой системы (15) к одному из USB-портов консоли.
6. После включения консоли автоматически выполняется калибровка рулевого колеса.
7. Для консоли PlayStation®4 (когда переключатель USB-входа находится в положении PS4™): нажмите кнопку PS на рулевом колесе (8) и откройте свой игровой профиль Sony Entertainment Network, чтобы можно было использовать рюль.

*Теперь все готово для игры!*

### Важно!

- Переключатель USB-входа (5) на базе рулевого колеса обязательно должен быть переведен в правильное положение (PS3™ или PS4™) перед подключением к консоли USB-кабеля. Для изменения положения переключателя отсоедините USB-кабель от консоли и переведите переключатель в нужное положение, после чего снова подключите USB-кабель к консоли.
  - Для использования консоли PlayStation®3 переключатель USB-входа (5) обязательно должен быть переведен в положение PS3™:
  - \* Большинство игр рулевая система распознается как руль T500RS.
  - \* Функции рулевой системы поддерживаются совместимыми играми и меню консолей.
  - \* Функция PS действует на рулевой системе.
  - Для консоли PlayStation®4, когда переключатель USB (5) находится в положении PS3™:
  - \* Большинство игр рулевая система распознается как руль T500RS.
  - \* Функции руля поддерживаются совместимыми играми, но не меню консолей.
  - \* Функции SHARE и PS не действуют на рулевой системе.
  - Для консоли PlayStation®4, когда переключатель USB (5) находится в положении PS4™:
  - \* Не забудьте нажать кнопку PS на рулевом колесе (8) и откройте свой игровой профиль, чтобы можно было использовать руль.
  - \* Большинство игр рулевая система распознается как руль T300 RS.
  - \* Функции рулевой системы поддерживаются совместимыми играми и меню консолей.
  - \* Функции SHARE и PS действуют на рулевой системе.
- *Перечень игр для PlayStation®3 и PlayStation®4, совместимых с рулевой системой T300 RS (с указанием необходимого положения переключателя USB-входа (5) в соответствии с используемой игрой) можно найти на сайте:*

<http://support.thrustmaster.com>

*(выберите Гонимые рули / T300 RS / игры настройки).*

*Этот список регулярно обновляется.*

## НАСТРОЙКА РУЛЕВОЙ СИСТЕМЫ ДЛЯ ПК\*

\* Совместимость с ПК без лицензии Sony Interactive Entertainment Europe.

Подробнее см. на сайте <http://support.thrustmaster.com>.

### АВТОМАТИЧЕСКАЯ КАЛИБРОВКА РУЛЯ И ПЕДАЛЬНОГО БЛОКА

Калибровка гоночного руля выполняется автоматически при подключении рулевой системы к электророзетке и к игровой консоли через USB-разъем.

Во время этой процедуры руль быстро вращается влево и вправо, совершая поворот на 1080 градусов, и затем останавливается в центре.



#### **ВНИМАНИЕ!**

**Во время автокалибровки нельзя дотрагиваться до руля!  
(В противном случае возможен сбой калибровки и/или телесная травма).**

### АВТОМАТИЧЕСКАЯ КАЛИБРОВКА ПЕДАЛЬНОГО БЛОКА

Нельзя подключать pedalный блок к базе рулевого колеса (и отключать его от базы), если система подключена к консоли и во время игры (в противном случае возможен сбой калибровки).

Педаальный блок следует подключать к рулевой системе перед ее подключением к консоли.

После завершения калибровки руля и запуска игры несколькими нажатиями на педали включается их автоматическая калибровка.



#### **ВНИМАНИЕ!**

**Нельзя нажимать педали во время автокалибровки руля и во время загрузки игры!  
(В противном случае возможен сбой калибровки).**

**Если гоночный руль и/или pedalный блок не работают должным образом или кажутся неверно откалиброванными:**

выключите консоль и полностью отсоедините рулевую систему; затем заново подключите все кабели (в том числе кабели питания и pedalного блока) и перезапустите консоль и игру.

### ВСТРОЕННЫЙ ДАТЧИК ТЕМПЕРАТУРЫ

Механизм охлаждения рулевой системы состоит из теплоотвода и вентилятора.

- Термостат контролирует внутреннюю температуру рулевой системы.
- Во время игры с задействованием руля:
  - охлаждающий вентилятор включается, когда температура достигает определенного значения (через несколько минут после начала игры, в зависимости от настроенного уровня силовой обратной связи);
  - мощность эффектов силовой обратной связи автоматически ослабевает с достижением значительно более высокой температуры руля (в целях защиты мотора). Мощность этих эффектов автоматически возрастает при небольшом падении температуры.
- После окончания игры вентилятор продолжает работу, до тех пор пока температура не упадет ниже заданного значения, что связано с тепловой инертностью мотора. Подобная конструкция рулевой системы позволяет упростить процесс охлаждения и защитить мотор (время охлаждения может составить от 5 до 45 минут, в зависимости от температуры, достигнутой во время игры).

## КНОПКА И ИНДИКАТОР MODE(6)

### Кнопка MODE для педального блока

Рулевая система T300 совместима с педальными блоками Thrustmaster с тремя педалями; на которых можно электронным способом поменять местами педали сцепления и газа. Для этого достаточно нажать кнопку MODE (6) на 2 сек. Во встроенной памяти рулевой системы сохраняются данные о переносе педалей.

ПЕДАЛИ УСКОРЕНИЯ И СЦЕПЛЕНИЯ	Цвет индикатора MODE (6)
ОБЫЧНЫЙ РЕЖИМ	КРАСНЫЙ
ОБРАТНЫЙ РЕЖИМ	ЗЕЛЕНЬЙ

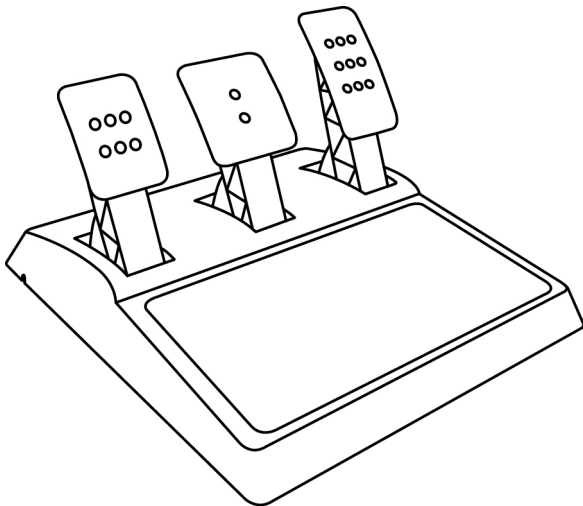
### Другие советы по использованию кнопки MODE

Подробнее о кнопке и индикаторе MODE рассказывается на сайте <http://support.thrustmaster.com>. Щелкните **Гоночные рули / T300 RS** и выберите **Инструкция по эксплуатации** или **Часто задаваемые вопросы**.

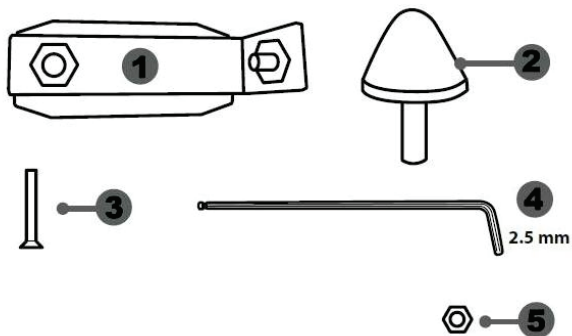
## СПРАВКА И ОТВЕТЫ НА ЧАСТЫЕ ВОПРОСЫ (НЕ ПРИВЕДЕННЫЕ В НАСТОЯЩЕМ РУКОВОДСТВЕ)

Посетите сайт <http://support.thrustmaster.com>. Щелкните **Гоночные рули / T300 RS** и выберите **Инструкция по эксплуатации** или **Часто задаваемые вопросы**.

# ПЕДАЛЬНОГО БЛОКА **ТЗРА – GT EDITION**

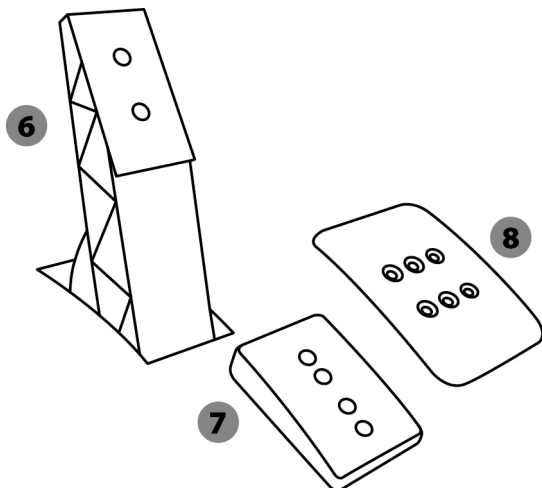


## ТЕХНИЧЕСКИЕ ХАРАКТЕРИСТИКИ



- 1 Металлическая база для конусообразного стопора (по умолчанию не установлена)
- 2 Конусообразный стопор

- 3 Крепежный винт для металлической базы
- 4 6-гранный ключ 2,5 мм (в комплекте)
- 5 Регулировочная гайка для конусообразного стопора



- 6 Рычаг педали
- 7 Пластиковая прокладка

- 8 Металлическая педаль



## ВНИМАНИЕ!

Перед эксплуатацией данного изделия внимательно ознакомьтесь с настоящей инструкцией и сохраните ее на будущее.



Из соображений безопасности никогда не нажимайте на педали босой ногой или ногой в носке (без обуви).

КОМПАНИЯ THRUSTMASTER® ОТКАЗЫВАЕТСЯ ОТ ЛЮБОЙ ОТВЕТСТВЕННОСТИ В СЛУЧАЕ ПОЛУЧЕНИЯ ТРАВМЫ В РЕЗУЛЬТАТЕ НАЖИМАНИЯ НА ПЕДАЛИ НЕОБУТЫМИ НОГАМИ.



**Предупреждение — опасность защемления педальным блоком во время игры**

- \* Храните педальный блок вне доступа детей.
- \* Во время игры ни в коем случае не кладите пальцы рук или ног на педали и не засовывайте их с боковых сторон педального блока.
- \* Во время игры ни в коем случае не кладите пальцы рук или ног на педали и не засовывайте их с задней стороны педального блока.
- \* Во время игры ни в коем случае не кладите пальцы рук или ног на педали и не засовывайте их с передней стороны педального блока.

**НЕЛЬЗЯ**



**НЕЛЬЗЯ**



**НЕЛЬЗЯ**



## АВТОМАТИЧЕСКАЯ КАЛИБРОВКА ПЕДАЛЕЙ



- Во избежание проблем с калибровкой ни в коем случае не подключайте и не отключайте pedalный блок от базы руля, пока рулевая система подключена к системе PS3™ или PS4™, а также во время игры.
- Pedальный блок следует подключать к рулевой системе, прежде чем она будет подключена к системе PS3™ или PS4™.
- После автокалибровки руля и запуска игры автоматически несколькими нажатиями на педали запускается автоматическая калибровка педалей.
- Во избежание проблем с калибровкой ни в коем случае не нажимайте на педали во время автокалибровки и во время запуска игры.
- Если педали не работают должным образом или кажутся неверно откалиброванными, выключите консоль, полностью отсоедините рулевую систему и заново подключите все кабели (в том числе кабель питания и кабель pedalного блока, включите консоль и перезапустите игру).

## ЗАКРЕПЛЕНИЕ ПЕДАЛЬНОГО БЛОКА В КОКПИТЕ

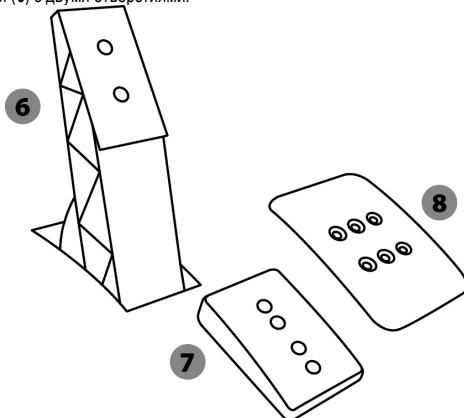
- Закрепите pedalный блок с помощью небольших резьбовых отверстий на его нижней поверхности.
- Закрутите два винта М6 (не входят в комплект) в площадку для pedalного блока и в два небольших винтовых отверстия на нижней стороне pedalного блока.

**Важно!** Длина винтов М6 не должна превышать толщину площадки больше чем на 10 мм во избежание повреждений внутренних деталей pedalного блока.

## РЕГУЛИРОВКА ПЕДАЛЬНОГО БЛОКА

### Конструкция педалей:

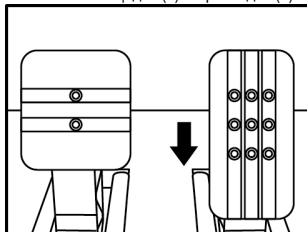
- металлическая площадка педали (8) с несколькими отверстиями (9 отверстий на педали газа, 2 — на педали тормоза, 6 — на педали сцепления);
- пластиковая прокладка для площадки (7) (крепится между площадкой и рычагом) с четырьмя отверстиями;
- рычаг педали (6) с двумя отверстиями.



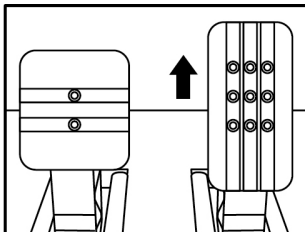
**ВНИМАНИЕ!** Во избежание проблем с калибровкой обязательно отключайте USB-кабель от системы PS3™ или PS4™, прежде чем как-либо регулировать педальный блок.

### Регулировка педали газа по ВЫСОТЕ

- С помощью входящего в комплект шестигранного ключа 2,5 мм (4) открутите 2 винта, удерживающих металлическую площадку (8) и прокладку (7).
- Выберите нужную высоту педали и заново закрутите винты для жесткой фиксации металлической площадки (8) и прокладки (7).



Нижнее положение (по умолч.)

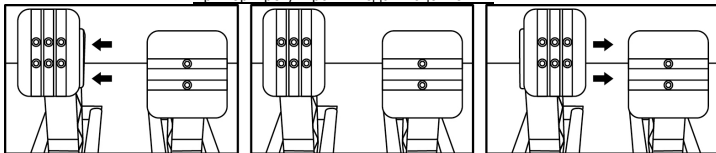


Высокое положение

## Регулировка РАССТОЯНИЯ

- С помощью входящего в комплект шестигранного ключа 2,5 мм (4) открутите 2 винта, удерживающих металлическую площадку (8) и прокладку (7).
- Выберите нужное положение педали (слева, по центру или справа) и заново закрутите винты для жесткой фиксации металлической площадки (8) и прокладки (7).

Примеры регулировки педали сцепления:



Левое положение

Центральное положение (по умолч.)

Правое положение

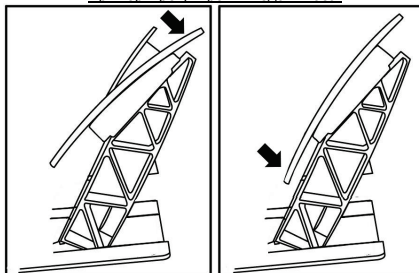
Количество возможных положений для педали:

- 3 для педали газа;
- 3 для педали сцепления.

## Регулировка УГЛА НАКЛОНА педалей

- С помощью входящего в комплект шестигранного ключа 2,5 мм (4) открутите 2 винта, удерживающих металлическую площадку (8) и прокладку (7).
- Поверните пластиковую прокладку (7) на 180° и заново закрутите винты для жесткой фиксации металлической площадки (8) и прокладки (7).

Примеры регулировки педали газа:



Угол наклона меньше

Угол наклона больше (по умолч.)

Количество возможных положений для педали:

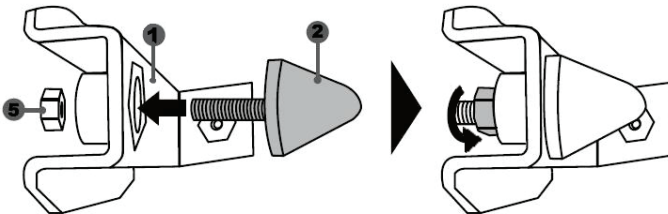
- 2 для педали газа;
- 2 для педали тормоза;
- 2 для педали сцепления.

## Установка конусообразного стопора (конфигурация CONICAL RUBBER BRAKE mod)

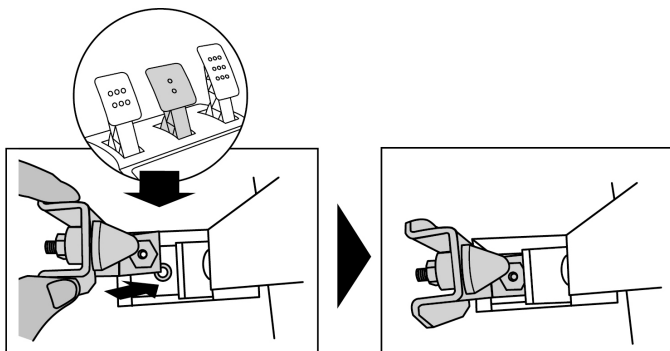
Данная конфигурация (mod) необязательна, поэтому стопор по умолчанию не установлен. Это означает, что педаль тормоза превосходно работает и без установленного стопора mod.

Стопор mod позволяет добиться новых ощущений и сопротивления при торможении. Пользователь по своему усмотрению решает, следует ли его устанавливать.

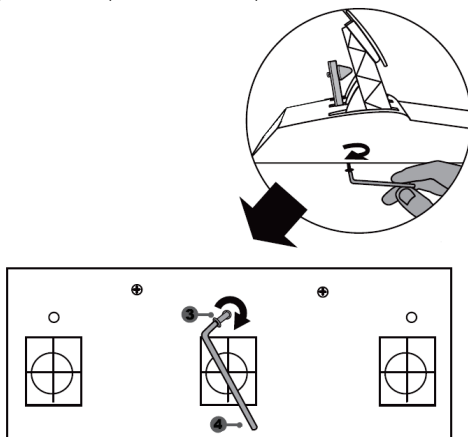
- Вкрутите конусообразный стопор (2) в металлическую базу (1).
- Накрутите регулировочную гайку (5) снизу (на винт конусообразного стопора).



- Разместите модуль позади рычага педали тормоза.



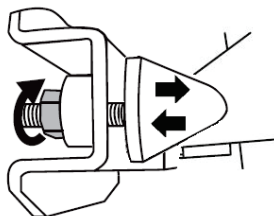
- Закрепите модуль с помощью шестигранного ключа 2,5 мм (4), вкрутив крепежный винт (3) в небольшое резьбовое отверстие на нижней стороне педального блока.



*Модуль CONICAL RUBBER BRAKE мод установлен!*

### Регулировка ШАГА педали тормоза и СИЛЫ сопротивления

Слегка ослабив гайку (5) и сдвинув конусообразный стопор (2) к задней части рычага педали, можно еще больше усилить сопротивление педали тормоза (при необходимости дотяните гайку с помощью 14-мм ключа или пассатижей, закрепив выбранное положение). Чем ближе к задней части рычага педали расположен конусообразный стопор, тем больше сила сопротивления.



**Примечание:** если конусообразный стопор расположен слишком близко к задней части рычага педали, могут возникнуть проблемы с достижением максимального значения калибровки. В этом случае:

- \* медленно со всей силы надавите на педаль тормоза, чтобы выжать ее до упора (при необходимости быстро наступите на педаль всем весом — но только на мгновение), затем отпустите педаль; или
- \* отодвиньте конусообразный стопор от задней части рычага педали.

## **Сведения о потребительской гарантии**

Корпорация Guillemot Corporation S.A., зарегистрированная по адресу Place du Granier, B.P. 97143, 35571 Chantepie, Франция, (далее — «Guillemot») гарантирует своим клиентам во всем мире, что в данном изделии Thrustmaster не будет выявлено никаких дефектов материалов и производства в течение гарантийного периода, который равен сроку предъявления претензии по соответствию для данного изделия. В странах Европейского Союза этот срок соответствует двум (2) годам с момента поставки изделия Thrustmaster. В других странах гарантийный период равен сроку предъявления претензии по соответствию для изделия Thrustmaster, определяемому соответствующим законодательством страны, в которой проживал потребитель на момент приобретения изделия Thrustmaster (если подобные претензии не действуют в соответствующей стране, гарантийный период равняется одному (1) году с первоначальной даты приобретения изделия Thrustmaster).

В случае обнаружения дефектов изделия во время гарантийного периода незамедлительно обратитесь в службу технической поддержки, сотрудники которой определяют дальнейшую процедуру. Если дефект будет подтвержден, изделие следует вернуть по месту приобретения (или в любое другое место, указанное службой технической поддержки).

В рамках действия гарантии дефектное изделие будет, по усмотрению службы технической поддержки, заменено или возвращено в рабочее состояние. Если в течение гарантийного срока изделие Thrustmaster будет подтверждено такому восстановлению, к оставшемуся гарантийному сроку прибавляется период времени, но не менее семи (7) дней, во время которого изделие находилось вне употребления (началом этого периода считается дата запроса покупателя о вмешательстве или дата предоставления дефектного изделия для восстановления, если изделие было предоставлено для восстановления позднее, чем был сделан запрос о вмешательстве). В мере, разрешенной применимым законодательством, полная ответственность компании Guillemot и ее дочерних компаний (в том числе косвенный ущерб) ограничивается восстановлением рабочего состояния или заменой изделия Thrustmaster. В мере, разрешенной применимым законодательством, компания Guillemot отказывается от любых гарантий коммерческой пригодности или пригодности для определенной цели.

Настоящая гарантия не распространяется: (1) на ситуации, когда изделие было видоизменено, открыто, модифицировано или получило повреждения в результате недопустимого или неправильного использования, небрежности или несчастного случая, естественного износа или любой другой причины, не связанной с дефектом материалов или производства (включая, помимо прочего, использование изделия Thrustmaster совместно с любыми неподходящими элементами, в частности — с блоками питания, аккумуляторами, зарядными устройствами и любыми другими элементами, не входящими в комплектацию Guillemot для данного изделия); (2) на случаи использования продукта в любых целях, кроме бытовых, в том числе на случаи профессионального или коммерческого применения (например, в игровых залах, для проведения обучения и соревнований); (3) на ситуации, когда указания службы технической поддержки не были выполнены; (4) на ПО, так как на такое ПО распространяется отдельная гарантия; (5) на расходные материалы (элементы, предназначенные для замены в течение срока службы изделия: например, батарейки и ушные подушки для гарнитур или наушников); (6) на аксессуары (например, кабели, чехлы, сумки, футляры, наручные ремешки); (7) на случаи продажи изделия с открытого аукциона.

Данная гарантия не подлежит передаче.

Настоящая гарантия не ущемляет прав потребителя, предоставляемых ему применимыми законами в отношении продажи потребительских товаров в соответствующей стране.

### Дополнительные условия гарантии

В течение гарантийного срока компания Guillemot, в общем и целом, не предоставляет никаких запасных частей, так как вскрытие и/или модификацию любых изделий Thrustmaster вправе осуществлять только служба технической поддержки (за исключением каких-либо процедур по модификации, которые служба технической поддержки может предложить выполнить клиенту путем письменных инструкций и предоставления, при необходимости, требуемых запасных частей: например, в связи с отсутствием статуса сложности или конфиденциальности у такой восстановительной процедуры).

С учетом периода освоения новых изделий и в целях защиты своих ноу-хау и коммерческих тайн компания Guillemot, в общем и целом, не предоставляет каких-либо уведомлений о восстановлении или запасных частей для любых изделий Thrustmaster с истекшим гарантийным сроком.

### Ответственность

В мере, разрешенной применимым законодательством, компания Guillemot Corporation S.A. (далее — «Guillemot») и ее дочерние предприятия отказываются от любой ответственности за любой ущерб, вызванный одним или несколькими из следующих факторов: (1) видоизменение, вскрытие или модификация изделия; (2) несоблюдение инструкций по сборке; (3) недопустимое или неправильное использование, небрежность, несчастный случай (например, физическое воздействие); (4) естественный износ; (5) использование продукта в любых целях, кроме бытовых, в том числе профессиональное или коммерческое применение (например, в игровых залах, для проведение обучения и соревнований). В мере, разрешенной применимым законодательством, компания Guillemot и ее дочерние предприятия отказываются от любой ответственности за любой ущерб, не связанный с дефектами материалов или изготовления, в отношении данного изделия (включая, помимо прочего, любой ущерб, вызванный прямо или опосредованно любым программным обеспечением или использованием изделия Thrustmaster с любыми неподходящими элементами, в частности — блоками питания, аккумуляторами, зарядными устройствами и любыми другими элементами, не входящими в комплектацию Guillemot для данного изделия).

**THRUSTMASTER®**

ТЕХНИЧЕСКОЙ ПОДДЕРЖКИ

<http://support.thrustmaster.com>





## АВТОРСКИЕ ПРАВА

© Корпорация 2017 Guillemot Corporation S.A. Все права защищены. Thrustmaster® является зарегистрированным товарным знаком корпорации Guillemot Corporation S.A.

Лицензия для продажи в Европе, Африке, на Ближнем Востоке, в России, Индии и Океании. Для исключительного использования с PlayStation®3 и PlayStation®4.

Все остальные товарные знаки являются собственностью соответствующих владельцев. Иллюстрации могут не соответствовать внешнему виду/функциям конкретного изделия. Содержание, конструкция и технические характеристики изделия могут быть изменены без предварительного уведомления и зависят от страны приобретения. Сделано в Китае. Произведено и распространяется компанией Guillemot Corporation S.A.

При использовании изделием учитывайте следующее: цвета и дизайн могут различаться.

Пластиковые стяжки и клейкую ленту следует снять перед использованием изделия.

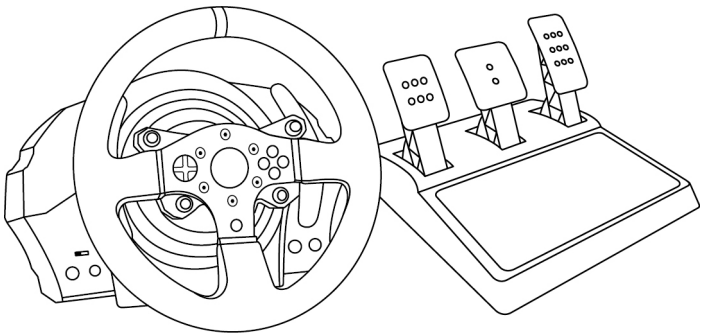
[www.thrustmaster.com](http://www.thrustmaster.com)



# T300RS

## GT Edition

### Εγχειρίδιο χρήσης



#### ΠΡΟΕΙΔΟΠΟΙΗΣΗ:

Για να βεβαιωθείτε ότι η τιμονιέρα T300 λειτουργεί σωστά με κάθε παιχνίδι, ίσως χρειαστεί να εγκαταστήσετε τις αυτόματες ενημερώσεις του κάθε παιχνιδιού (είναι διαθέσιμα όταν το σύστημα παιχνιδιών είναι συνδεδεμένη στο Internet).

ENGLISH

FRANÇAIS

DEUTSCH

NEDERLANDS

ITALIANO

ESPAÑOL

PORTUGUÊS

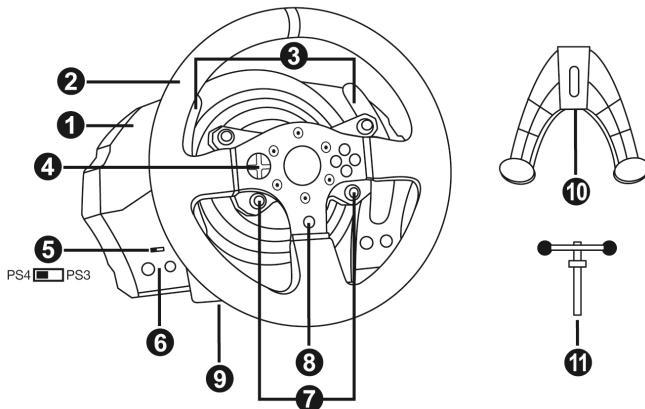
РУССКАЯ

ΕΛΛΗΝΙΚΑ

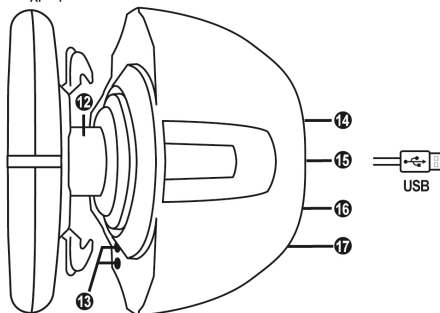
TÜRKÇE

POLSKI

## ΤΕΧΝΙΚΑ ΧΑΡΑΚΤΗΡΙΣΤΙΚΑ



- |   |   |
|---|---|
| <p>1 Βάση T300 RS</p> <p>2 Τιμόνι T300 GT</p> <p>3 2 μοχλοί αλλαγής ταχυτήτων σειριακής διάταξης (Up &amp; Down)</p> <p>4 Σταυρός κατευθύνσεων πολλών κατευθύνσεων</p> <p>5 Ενωσματοποιημένος συρόμενος διακόπτης USB PS4™/PS3™</p> <p>6 Κουμπί MODE + λυχνία ένδειξης με κόκκινο/πράσινο χρώμα</p> | <p>7 Κουμπιά SELECT/START στο PS3™ και SHARE/OPTIONS στο PS4™</p> <p>8 Κουμπί PS</p> <p>9 Οπή μεγάλου σπειρώματος (για σύστημα προσάρτησης και βίδα σύσφιξης)</p> <p>10 Σύστημα προσάρτησης</p> <p>11 Μεταλλική βίδα σύσφιξης</p> |
|---|---|



- |  |  |
|--|--|
| <p>12 Thrustmaster Quick Release</p> <p>13 Κουμπιά L3/R3</p> <p>14 Υποδοχή παροχής ρεύματος (τύπος A ή B) (ποικίλλει από χώρα σε χώρα)</p> | <p>15 Καλώδιο USB και υποδοχή αγωνιστικού τιμονιού</p> <p>16 Υποδοχή μοχλού αλλαγής ταχυτήτων (το κιβώτιο ταχυτήτων πωλείται χωριστά)</p> <p>17 Υποδοχή σετ πεντάλ</p> |
|--|--|

## ΣΥΝΔΕΣΗ ΤΗΣ ΤΙΜΟΝΙΕΡΑΣ ΣΤΟ ΡΕΥΜΑ: ΔΙΑΒΑΣΤΕ ΠΡΙΝ ΣΥΝΕΧΙΣΤΕΙ!

Η υποδοχή τροφοδοσίας της τιμονιέρας ποικίλλει ανάλογα με τη χώρα από την οποία αγοράσατε τη συσκευή σας.

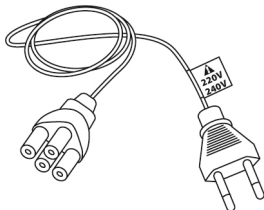
Η υποδοχή τροφοδοσίας μπορεί να είναι:

### Εσωτερική, με τα εξής:

\* μια μονάδα τροφοδοσίας ρεύματος τοποθετημένη απευθείας στο εσωτερικό της βάσης της τιμονιέρας, με υποδοχή τύπου A.

\* καλώδιο τροφοδοσίας ρεύματος 220-240 V.

= συμβατό μόνο με δίκτυα ρεύματος 220-240 V.



**Ποτέ μην συνδέετε το καλώδιο ρεύματος 220-240 V σε πρίζα ρεύματος 100-130 V!!!  
Ποτέ μην συνδέετε αυτό το καλώδιο σε προσαρμογέα ρεύματος!!!**

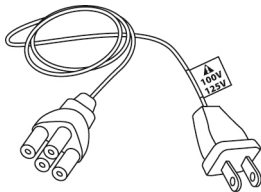


### Εσωτερική, με τα εξής:

\* μια μονάδα τροφοδοσίας ρεύματος τοποθετημένη απευθείας στο εσωτερικό της βάσης της τιμονιέρας, με υποδοχή τύπου A.

\* καλώδιο τροφοδοσίας ρεύματος 100-125 V.

= συμβατό μόνο με δίκτυα ρεύματος 100-125 V.



**Ποτέ μην συνδέετε το καλώδιο ρεύματος 100-125 V σε πρίζα ρεύματος 220-240 V!!!  
Ποτέ μην συνδέετε αυτό το καλώδιο σε προσαρμογέα ρεύματος!!!**



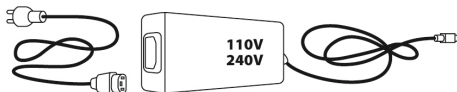
**ΣΗΜΑΝΤΙΚΟ: Αν δεν γνωρίζετε τι τάση υπάρχει στον χώρο που χρησιμοποιείτε την τιμονιέρα σας, ρωτήστε τον τοπικό σας πάροχο ρεύματος.**

### Εξωτερική, με τα εξής:

\* μια εξωτερική μονάδα παροχής ρεύματος, με υποδοχή τύπου B.

\* καλώδιο τροφοδοσίας ρεύματος.

= συμβατό με όλες τις τάσεις ρεύματος, από 110-240 V.



## ΠΡΟΕΙΔΟΠΟΙΗΣΕΙΣ

Πριν χρησιμοποιήσετε αυτό το προϊόν, διαβάστε προσεκτικά το παρόν εγχειρίδιο και φυλάξτε το για μελλοντική αναφορά.



### Προειδοποίηση – Ηλεκτροπληξία

- \* Κρατήστε αυτό το προϊόν σε στεγνό μέρος και μην το εκθέτετε σε σκόνη ή στον ήλιο.
- \* Μην περιστρέφετε ή τραβάτε τις υποδοχές και τα καλώδια.
- \* Μην ρίχνετε υγρό στο προϊόν και τις υποδοχές του.
- \* Μην βραχυκυκλώνετε το προϊόν.
- \* Ποτέ μην αποσυναρμολογείτε το προϊόν. Μην ρίχνετε το προϊόν σε φωτιά και μην το εκθέτετε σε υψηλές θερμοκρασίες.
- \* Μην χρησιμοποιείτε άλλο καλώδιο τροφοδοσίας πέρα από αυτό που παρέχεται μαζί με την τιμονιέρα σας.
- \* Μην χρησιμοποιείτε το καλώδιο του αντάππορα δικτύου εάν το καλώδιο ή οι συνδέσεις έχουν φθορές, έχουν διαχωριστεί ή κοπτεί.
- \* Βεβαιωθείτε ότι το καλώδιο παροχής ρεύματος έχει τοποθετηθεί σωστά στην πρίζα και είναι σωστά συνδεδεμένο στην υποδοχή που βρίσκεται στην πίσω όψη της βάσης της τιμονιέρας.
- \* Μην ανοίγετε την τιμονιέρα: δεν υπάρχουν ανταλλακτικά μέσα που μπορούν να επιδιορθωθούν από τον χρήστη. Οποιαδήποτε συντήρηση πρέπει να πραγματοποιείται από τον κατασκευαστή, τον εξουσιοδοτημένο αντιπρόσωπο ή κάποιον εξειδικευμένο τεχνικό.
- \* Χρησιμοποιείτε μόνο πρόσθετα του συστήματος/αξεσουάρ που καθορίζει ο κατασκευαστής.
- \* Εάν η τιμονιέρα λειτουργεί με ασυνήθιστο τρόπο (εάν ακούγονται περίεργοι ήχοι, εκπέμπεται θερμότητα ή αναδύονται οσμές), σταματήστε τη χρήση αμέσως, αποσυνδέστε το καλώδιο τροφοδοσίας από την πρίζα και αποσυνδέστε τα υπόλοιπα καλώδια.
- \* Αν δεν σκοπεύετε να χρησιμοποιήσετε την τιμονιέρα για μεγάλο χρονικό διάστημα, αποσυνδέστε το καλώδιο παροχής ρεύματος από την πρίζα.



### Αεραγωγοί

Βεβαιωθείτε ότι δεν μπλοκάρετε κανέναν από τους αεραγωγούς στη βάση της τιμονιέρας. Για τον καλύτερο δυνατό αερισμό, ακολουθήστε τις παρακάτω οδηγίες:

- \* Τοποθετήστε τη βάση του τιμονιού τουλάχιστον 10 εκατοστά μακριά από τους τοίχους.
- \* Μην τοποθετείτε τη βάση σε στενούς χώρους.
- \* Μην καλύπτετε τη βάση.
- \* Μην αφήνετε να συσσωρευτεί σκόνη επάνω στους αεραγωγούς.



**Για λόγους ασφάλειας, ποτέ μην χρησιμοποιείτε το σετ των πεντάλ ζυπόλητοι ή φορώντας μόνο κάλτσες.  
H THRUSTMASTER® ΑΠΟΠΟΙΕΙΤΑΙ ΟΠΟΙΑΣΔΗΠΟΤΕ ΕΥΘΥΝΗΣ  
ΣΕ ΠΕΡΙΠΤΩΣΗ ΤΡΑΥΜΑΤΙΣΜΟΥ ΠΟΥ ΠΡΟΚΑΛΕΙΤΑΙ ΑΠΟ ΤΗ  
ΧΡΗΣΗ ΤΟΥ ΣΕΤ ΤΩΝ ΠΕΝΤΑΛ ΧΩΡΙΣ ΠΑΠΟΥΤΣΙΑ.**



### Προειδοποίηση – Τραυματισμοί λόγω τεχνολογίας Force Feedback και επαναλαμβανόμενων κινήσεων

Το παιχνίδι με ένα τιμόνι τεχνολογίας Force Feedback ενδεχομένως να προκαλέσει πόνο στους μύες ή στις αρθρώσεις. Προς αποφυγή οποιονδήποτε προβλημάτων:

- \* Αποφύγετε να παίζετε συνεχόμενα για μεγάλο χρονικό διάστημα.
- \* Κάντε διαλείμματα διάρκειας 10 έως 15 λεπτών μετά από κάθε μία ώρα παιχνιδιού.
- \* Αν νιώσετε κόπωση ή πόνο σε χέρια, καρπούς, μπράτσα, πέλματα ή πόδια, σταματήστε το παιχνίδι και ξεκουραστείτε για μερικές ώρες πριν αρχίσετε ξανά το παιχνίδι.



## Προειδοποίηση – Τραυματισμοί λόγω τεχνολογίας Force Feedback και επαναλαμβανόμενων κινήσεων (συνέχεια)

- \* Αν τα συμπτώματα ή ο πόνος που αναφέρθηκαν παραπάνω επιμένουν όταν αρχίσετε ξανά το παιχνίδι, σταματήστε να παίζετε και επισκεφτείτε τον ιατρό σας.
- \* Κρατήστε το προϊόν μακριά από παιδιά.
- \* Κατά τη διάρκεια του παιχνιδιού, έχετε πάντα και τα δύο χέρια σωστά τοποθετημένα στο τιμόνι χωρίς να το αφήνετε εντελώς.
- \* Κατά τη διάρκεια των παιχνιδιών, ποτέ μην τοποθετείτε τα χέρια ή τα δάκτυλά σας κάτω από τα πεντάλ ή οπουδήποτε κοντά στο σετ των πεντάλ.
- \* Κατά τη διάρκεια της βαθμονόμησης και του παιχνιδιού, ποτέ μην τοποθετείτε το χέρι ή το μπράτσο σας μέσα στα ανοίγματα της τιμονιέρας.
- \* Βεβαιωθείτε ότι η βάση της τιμονιέρας είναι σωστά ασφαλισμένη, σύμφωνα με τις οδηγίες αυτού του εγχειριδίου.



Το προϊόν προορίζεται για χρήστες 16 ετών ή μεγαλύτερους

**ΒΑΡΥ ΠΡΟΪΟΝ**



Προσέχετε να μην ρίξετε το προϊόν επάνω σας ή επάνω σε κάποιον άλλον!

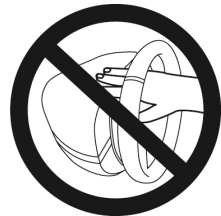
**ΠΑΝΤΑ**



**ΠΟΤΕ**



**ΠΟΤΕ**





### Προειδοποίηση – Κίνδυνος μαγκώματος στο σετ των πεντάλ όταν παίζετε

- \* Κρατήστε το σετ των πεντάλ μακριά από παιδιά.
- \* Κατά τη διάρκεια του παιχνιδιού, ποτέ μην τοποθετείτε τα δάκτυλά σας επάνω ή οπουδήποτε κοντά στις πλευρές των πεντάλ.
- \* Κατά τη διάρκεια του παιχνιδιού, ποτέ μην τοποθετείτε τα δάκτυλά σας επάνω ή οπουδήποτε κοντά στην μπροστινή βάση των πεντάλ.
- \* Κατά τη διάρκεια του παιχνιδιού, ποτέ μην τοποθετείτε τα δάκτυλά σας επάνω ή οπουδήποτε κοντά στην μπροστινή βάση των πεντάλ.

ΠΟΤΕ



ΠΟΤΕ



ΠΟΤΕ



### Προειδοποίηση – Κίνδυνος μαγκώματος στο σετ των πεντάλ όταν δεν παίζετε

- \* Αποθηκεύστε το σετ των πεντάλ σε ασφαλές μέρος και διατηρήστε το μακριά από παιδιά.

## ΕΝΗΜΕΡΩΣΗ ΤΟΥ ΥΛΙΚΟΛΟΓΙΣΜΙΚΟΥ ΤΗΣ ΤΙΜΟΝΙΕΡΑΣ ΣΑΣ

Είναι δυνατή η ενημέρωση του υλικολογισμικού που περιλαμβάνεται στη βάση της τιμονιέρας σας σε μια πιο πρόσφατη έκδοση με τις βελτιώσεις του προϊόντος.

Για να εμφανίσετε την έκδοση του υλικολογισμικού που διαθέτει προς το παρόν η τιμονιέρα σας και να την ενημερώσετε αν απαιτείται: σε υπολογιστή, συνδεθείτε στον ιστότοπο <http://support.thrustmaster.com>. Κάντε κλικ στις επιλογές **Racing Wheels / T300 RS**, μετά επιλέξτε **Firmware** και ακολουθήστε τις οδηγίες που περιγράφουν τη διαδικασία λήψης και εγκατάστασης.

#### Σημαντική σημείωση:

Σε PC, ο διακόπτης επιλογή USB (5) στη βάση της τιμονιέρας πρέπει να είναι πάντα ρυθμισμένος στη θέση PS3™.

## ΕΓΚΑΤΑΣΤΑΣΗ ΤΟΥ ΤΙΜΟΝΙΟΥ ΣΤΗ ΒΑΣΗ ΤΟΥ

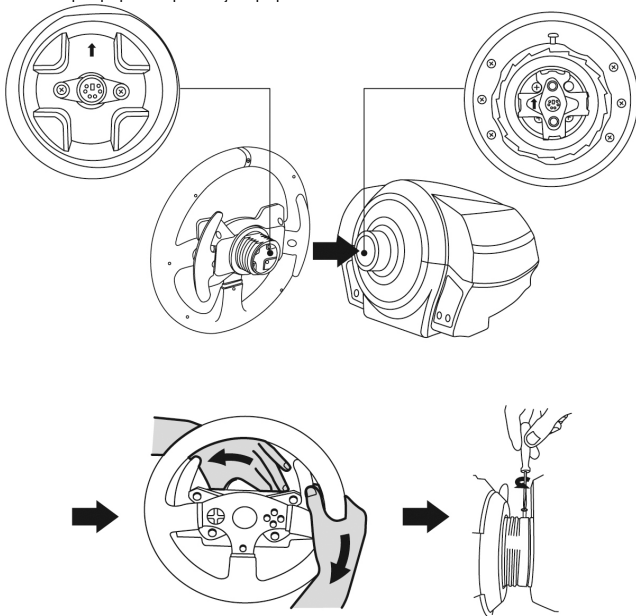
Ευθυγραμμίστε τις θέσεις των υποδοχών χρησιμοποιώντας τα βέλη:

**Υποδοχή βάσης (1):** Βέλος με κατεύθυνση προς τα πάνω

**Υποδοχή τιμονιού (2):** Βέλος με κατεύθυνση προς τα πάνω

Αφού τοποθετήσετε σωστά τις υποδοχές, απλώς περιστρέψτε τον δακτύλιο της συσκευής Thrustmaster Quick Release (12) αριστερόστροφα, ενώ κρατάτε το τιμόνι (2) στη θέση του.

Έπειτα, σφίξτε τον δακτύλιο όσο περισσότερο μπορείτε: για να το πετύχετε, κρατήστε τον δακτύλιο στη θέση του και περιστρέψτε το τιμόνι δεξιόστροφα.



Αφού εγκαταστήσετε το τιμόνι, περιστρέψτε το 180° (όταν κοιτάτε το τιμόνι, το λογότυπο GT θα πρέπει να είναι στραμμένο προς τα κάτω) για να αποκτήσετε πρόσβαση στη μικρή βίδα προσάρτησης που βρίσκεται στη συσκευή Thrustmaster Quick Release (12). Χρησιμοποιήστε ένα μεγάλο κατσαβίδι Phillips για να σφίξετε τη μικρή βίδα προσάρτησης (μη βάλετε υπερβολική δύναμη), περιστρέφοντάς τη δεξιόστροφα.



Όταν χρησιμοποιείτε κατσαβίδι Phillips, βεβαιωθείτε ότι ΔΕΝ ασκείτε υπερβολική δύναμη όταν σφίγγετε τη μικρή βίδα προσάρτησης!

Σταματήστε να περιστρέφετε τη βίδα αμέσως μόλις νιώσετε κάποια αντίσταση.

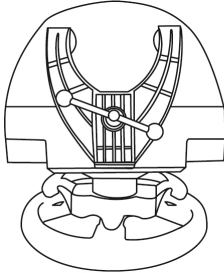


## ΠΡΟΣΑΡΤΗΣΗ ΤΙΜΟΝΙΕΡΑΣ

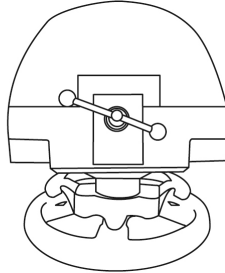
### Τοποθέτηση τιμονιέρας σε τραπέζι ή γραφείο

1. Τοποθετήστε την τιμονιέρα σε τραπέζι ή οποιαδήποτε άλλη οριζόντια, επίπεδη και σταθερή επιφάνεια.
2. Εισάγετε τη βίδα σύσφιξης (11) στο σύστημα προσάρτησης (10), μετά σφίξτε τη συσκευή στρέφοντας τη βίδα σύσφιξης αριστερόστροφα, ώστε να στερεωθεί στην οπή του μεγάλου σπειρώματος (9) κάτω από την τιμονιέρα, έως ότου το τιμόνι είναι εντελώς σταθερό.

ΠΑΝΤΑ

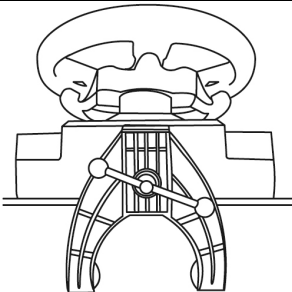
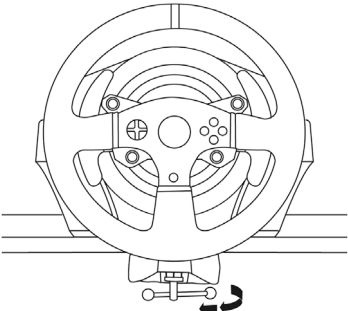
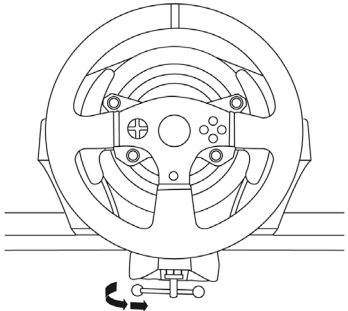


ΠΟΤΕ



**ΠΡΟΕΙΔΟΠΟΙΗΣΗ:** Μην σφίγγετε τη βίδα μόνη της, χωρίς να βρίσκεται το σύστημα προσάρτησης στη θέση του!

*(Αυτό θα μπορούσε να προκαλέσει ζημιά στην τιμονιέρα).*

ΠΡΟΣΑΡΤΗΣΗ/ΑΦΑΙΡΕΣΗ	ΚΑΤΕΥΘΥΝΣΗ
<p><b><u>Για να σφίξετε:</u></b></p> <p><b>Στρέψτε τη βίδα αριστερόστροφα</b></p>	 
<p><b><u>Για ελευθέρωση:</u></b></p> <p><b>Στρέψτε τη βίδα δεξιόστροφα</b></p>	

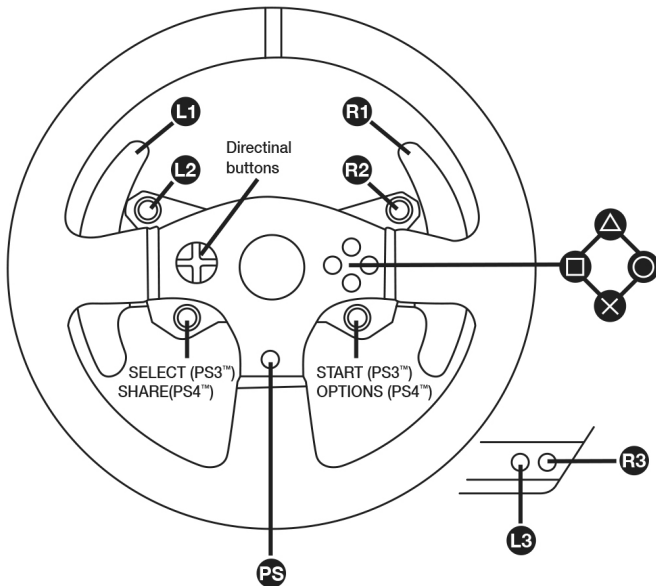
## Προσάρτηση της βάσης του τιμονιού σε θέση οδηγού

1. Τοποθετήστε τη βάση του τιμονιού στην προεξοχή της θέσης του οδηγού.
2. Καθοδηγήστε τις δύο βίδες M6 (δεν περιλαμβάνονται) μέσω της προεξοχής της θέσης του οδηγού, και στη συνέχεια, τοποθετήστε τις στις δύο μικρές οπές από τα σπειρώματα που βρίσκονται κάτω από το τιμόνι.

**Σημαντικό:** Το μήκος από τις δύο βίδες M6 δεν πρέπει να υπερβαίνει το πάχος της προεξοχής + 12 χιλιοστά. Οι μακρύτερες βίδες θα μπορούσαν να προκαλέσουν ζημιά στα εσωτερικά εξαρτήματα που βρίσκονται στη βάση του τιμονιού.

3. Αν απαιτείται, σφίξτε το βασικό σύστημα προσάρτησης τοποθετώντας τη βίδα σύσφιξης μέσα στην οπή του μεγάλου σπειρώματος.

## ΑΝΤΙΣΤΟΙΧΙΣΗ ΓΙΑ PLAYSTATION®3 ΚΑΙ PLAYSTATION®4



## ΡΥΘΜΙΣΗ ΤΗΣ ΤΙΜΟΝΙΕΡΑΣ ΓΙΑ PLAYSTATION®3 Ή PLAYSTATION®4

1. Συνδέστε το σεντ των πεντάλ στην υποδοχή (17) που βρίσκεται στο πίσω μέρος της βάσης της τιμονιέρας.
2. Συνδέστε το καλώδιο τροφοδοσίας στην υποδοχή (14) που βρίσκεται στο πίσω μέρος της βάσης της τιμονιέρας.
3. Συνδέστε το καλώδιο τροφοδοσίας σε μια πρίζα με τις ίδιες προδιαγραφές τάσης.



**Για περισσότερες σχετικές πληροφορίες, ανατρέξτε στην ενότητα ΣΥΝΔΕΣΗ ΤΗΣ ΤΙΜΟΝΙΕΡΑΣ ΣΤΟ ΡΕΥΜΑ, στη σελίδα 3 στο παρόν εγχειρίδιο.**

4. Ρυθμίστε τον διακόπτη επιλογέα USB (5) στη βάση της τιμονιέρας είτε στη θέση PS3™ είτε στη θέση PS4™, ανάλογα με την κονσόλα ή το παιχνίδι που χρησιμοποιείτε.
5. Συνδέστε την υποδοχή USB της τιμονιέρας (15) σε μία από τις θύρες USB της κονσόλας.
6. Αφού ενεργοποιήσετε την κονσόλα σας, η τιμονιέρα σας θα βαθμονομηθεί αυτόματα.
7. Στο PlayStation®4 (όταν ο διακόπτης επιλογέα USB έχει ρυθμιστεί στη θέση PS4™): πατήστε το κουμπί PS της τιμονιέρας (8) και συνδεθείτε στο δικό σας προφίλ παίκτη Sony Entertainment Network για να μπορέσετε να χρησιμοποιήσετε το τιμόνι.

**Τώρα είστε έτοιμοι για παιχνίδι!**

### Σημαντικές σημειώσεις:

- Ο διακόπτης επιλογέα USB (5) που βρίσκεται στη βάση της τιμονιέρας πρέπει να είναι πάντα ρυθμισμένος στην κατάλληλη θέση (PS3™ ή PS4™) πριν το καλώδιο USB του τιμονιού συνδεθεί στην κονσόλα. Για να αλλάξετε τη θέση του διακόπτη επιλογέα, αποσυνδέστε το καλώδιο USB από την κονσόλα και, έπειτα, αλλάξτε τη θέση του διακόπτη πριν συνδέσετε ξανά το καλώδιο USB στην κονσόλα.

- Στο PlayStation®3, ο διακόπτης επιλογέα USB (5) πρέπει να είναι πάντα ρυθμισμένος στη θέση PS3™:

- \* Το τιμόνι αναγνωρίζεται από τα περισσότερα παιχνίδια ως τιμόνι T500RS.
- \* Το τιμόνι είναι λειτουργικό σε συμβατά παιχνίδια και σε μενού από κονσόλες.
- \* Η λειτουργία «PS» είναι λειτουργική στο τιμόνι.

- Στο PlayStation®4, με τον διακόπτη επιλογέα USB (5) να έχει ρυθμιστεί στη θέση PS3™:

- \* Το τιμόνι αναγνωρίζεται από τα περισσότερα παιχνίδια ως τιμόνι T500RS.
- \* Το τιμόνι είναι λειτουργικό σε συμβατά παιχνίδια αλλά όχι σε μενού από κονσόλες.
- \* Οι λειτουργίες «SHARE» και «PS» δεν είναι λειτουργικές στο τιμόνι.

- Στο PlayStation®4, με τον διακόπτη επιλογέα USB (5) να έχει ρυθμιστεί στη θέση PS4™:

- \* Μην ξεχνάτε να πατήσετε το κουμπί PS της τιμονιέρας (8) για να μπορέσετε να χρησιμοποιήσετε το τιμόνι.
- \* Το τιμόνι αναγνωρίζεται από τα περισσότερα παιχνίδια ως τιμόνι T300 RS.
- \* Το τιμόνι είναι λειτουργικό σε συμβατά παιχνίδια και σε μενού από κονσόλες.
- \* Οι λειτουργίες «SHARE» και «PS» είναι λειτουργικές στο τιμόνι.

- Η λίστα με συμβατά παιχνίδια του PlayStation®3 και του PlayStation®4 με το τιμόνι T300 RS (μαζί με την απαιτούμενη θέση του διακόπτη επιλογέα USB (5) ανάλογα με το παιχνίδι που παίζετε) υπάρχει διαθέσιμη στον ιστότοπο:

<http://support.thrustmaster.com>

(κάντε κλικ στις επιλογές Racing Wheels / T300 RS / Games settings).

Αυτή η λίστα ανανεώνεται τακτικά.

## ΡΥΘΙΜΙΣΗ ΤΗΣ ΤΙΜΟΝΙΕΡΑΣ ΓΙΑ PC\*

\* Η συμβατότητα για PC δεν προσυπογράφεται από τη Sony Interactive Entertainment Europe.  
Για περισσότερες πληροφορίες, επισκεφθείτε τον ιστότοπο <http://support.thrustmaster.com>.

### ΑΥΤΟΜΑΤΗ ΒΑΘΜΟΝΟΜΗΣΗ ΤΙΜΟΝΙΟΥ ΚΑΙ ΣΕΤ ΠΕΝΤΑΛ

Η βαθμονόμηση της τιμονιέρας πραγματοποιείται αυτόματα όταν συνδέετε την τιμονιέρα στο ρεύμα και την υποδοχή USB της τιμονιέρας στην κονσόλα.

Στη διάρκεια αυτής της φάσης, το τιμόνι θα περιστρέφεται γρήγορα προς αριστερά και δεξιά, καλύπτοντας μια γωνία 1080, προτού σταματήσει στο κέντρο.



#### ΠΡΟΕΙΔΟΠΟΙΗΣΗ:

**Ποτέ μην αγγίζετε το τιμόνι κατά τη διάρκεια της φάσης της αυτόματης βαθμονόμησης! (Μια τέτοια ενέργεια θα μπορούσε να προκαλέσει λανθασμένη βαθμονόμηση και/ή τραυματισμούς).**

### ΑΥΤΟΜΑΤΗ ΒΑΘΜΟΝΟΜΗΣΗ ΤΙΜΟΝΙΟΥ ΚΑΙ ΠΕΝΤΑΛ

Ποτέ μην συνδέετε το σετ των πεντάλ στη βάση της τιμονιέρας (ή το αποσυνδέετε από τη βάση) όταν είναι συνδεδεμένο στην κονσόλα ή κατά τη διάρκεια του παιχνιδιού (αυτό θα μπορούσε να προκαλέσει λανθασμένη βαθμονόμηση).

Πάντα συνδέετε το σετ των πεντάλ πριν συνδέετε το τιμόνι στην κονσόλα.

Μόλις ολοκληρωθεί η βαθμονόμηση της τιμονιέρας και το παιχνίδι ξεκινήσει, η βαθμονόμηση των πεντάλ θα πραγματοποιηθεί αυτόματα μετά από μερικά πατήματα.



#### ΠΡΟΕΙΔΟΠΟΙΗΣΗ:

**Ποτέ μην πατάτε τα πεντάλ κατά την εκκίνηση της τιμονιέρας κατά τη φάση της αυτόματης βαθμονόμησης ή κατά τη φόρτωση του παιχνιδιού! (Αυτό θα μπορούσε να προκαλέσει λανθασμένη βαθμονόμηση)**

**Αν το τιμόνι και/ή το σετ των πεντάλ δεν λειτουργούν σωστά ή αν η βαθμονόμηση φαίνεται να είναι λανθασμένη:**

Απενεργοποιήστε την κονσόλα σας και αποσυνδέστε εντελώς την τιμονιέρα. Έπειτα, επανασυνδέστε όλα τα καλώδια (μαζί με το καλώδιο παροχής ρεύματος και το σετ των πεντάλ) και επανεκκινήστε την κονσόλα και το παιχνίδι σας.

### ΑΙΣΘΗΤΗΡΑΣ ΕΣΩΤΕΡΙΚΗΣ ΘΕΡΜΟΚΡΑΣΙΑΣ

Το σύστημα ψύξης της τιμονιέρας αποτελείται από μια ψύκτρα και έναν ανεμιστήρα.

- Ένας θερμοστάτης παρακολουθεί την εσωτερική θερμοκρασία της τιμονιέρας.
- Όταν χρησιμοποιείτε την τιμονιέρα σε ένα παιχνίδι:
  - Ο ανεμιστήρας ψύξης αρχίζει να λειτουργεί όταν η τιμονιέρα φτάσει σε μια συγκεκριμένη θερμοκρασία (μετά από μερικά λεπτά παιχνιδιού, ανάλογα με τη δύναμη των εφέ της λειτουργίας Force Feedback που χρησιμοποιούνται).
  - Η ισχύς των εφέ της λειτουργίας Force Feedback μειώνεται αυτόματα αμέσως μόλις το τιμόνι αγγίξει ένα αρκετά υψηλότερο επίπεδο θερμοκρασίας (για να προστατευθεί ο κινητήρας). Η ισχύς αυτών των εφέ αυξάνεται αυτόματα αμέσως μόλις η θερμοκρασία μειωθεί ελαφρώς.
- Όταν σταματήσετε το παιχνίδι: λόγω της θερμικής αδράνειας, ο ανεμιστήρας ψύξης συνεχίζει να λειτουργεί μέχρι η θερμοκρασία να πέσει στο επίπεδο που βρισκόταν όταν ο ανεμιστήρας άρχισε να λειτουργεί. Η τιμονιέρα σας έχει σχεδιαστεί με αυτόν τον τρόπο για να διευκολύνεται η ψύξη και να προστατεύεται ο κινητήρας (αυτή η ενέργεια χρειάζεται 5 έως 45 λεπτά, ανάλογα με τη θερμοκρασία που έχει φτάσει όταν η τιμονιέρα χρησιμοποιείται σε κάποιο παιχνίδι).

## ΚΟΥΜΠΙ MODE ΚΑΙ ΛΥΧΝΙΑ ΕΝΔΕΙΞΗΣ (6)

### Κουμπί MODE για το σετ των πεντάλ

Η τιμονιέρα T300 είναι συμβατή με το σετ των πεντάλ της Thrustmaster που διαθέτει 3 πεντάλ. Αυτά σας παρέχουν τη δυνατότητα να πραγματοποιείτε ηλεκτρονική εναλλαγή στο πεντάλ του γκαζιού και του συμπλέκτη.

Για να το κάνετε αυτό, απλώς πατήστε το κουμπί MODE (6) για 2 δευτερόλεπτα.

Στην εσωτερική μνήμη της τιμονιέρας αποθηκεύεται εάν έχει πραγματοποιηθεί ή όχι εναλλαγή των πεντάλ.

ΠΕΝΤΑΛ ΓΚΑΖΙΟΥ ΚΑΙ ΣΥΜΠΛΕΚΤΗ	Χρώμα της λυχνίας ένδειξης του κουμπιού MODE (6)
ΚΑΝΟΝΙΚΑ	ΚΟΚΚΙΝΟ ΧΡΩΜΑ
ΕΝΑΛΛΑΓΗ	ΠΡΑΣΙΝΟ ΧΡΩΜΑ

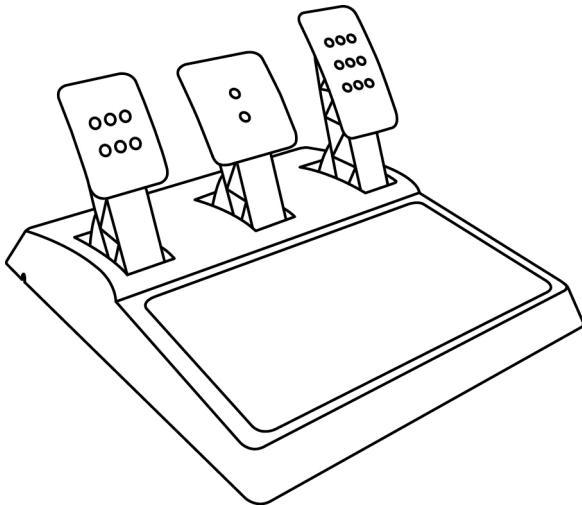
### Άλλες συμβουλές για το κουμπί MODE

Για να μάθετε περισσότερα σχετικά με το κουμπί MODE και τη λυχνία ένδειξης, επισκεφθείτε τον ιστότοπο <http://support.thrustmaster.com>. Κάντε κλικ στις επιλογές **Racing Wheels / T300 RS**, και μετά επιλέξτε **Manual** ή **FAQ**.

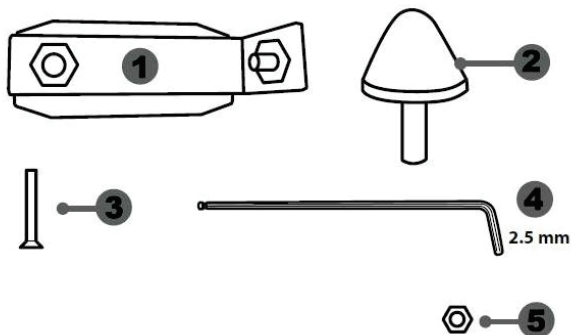
## ΑΡΧΕΙΑ ΒΟΗΘΕΙΑΣ ΚΑΙ ΣΥΧΝΕΣ ΕΡΩΤΗΣΕΙΣ (ΔΕΝ ΠΕΡΙΛΑΜΒΑΝΟΝΤΑΙ ΣΕ ΑΥΤΟ ΤΟ ΕΓΧΕΙΡΙΔΙΟ)

Επισκεφθείτε τον ιστότοπο <http://support.thrustmaster.com>. Κάντε κλικ στις επιλογές **Racing Wheels / T300 RS**, και μετά επιλέξτε **Manual** ή **FAQ**.

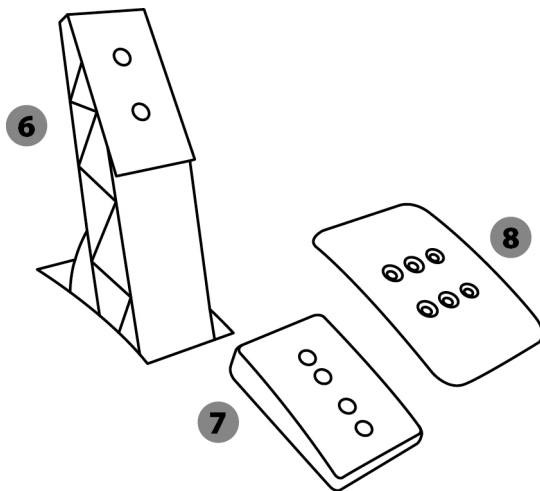
# ΣΕΤ ΠΕΝΤΑΛ Τ3ΡΑ – GT EDITION



## ΤΕΧΝΙΚΑ ΧΑΡΑΚΤΗΡΙΣΤΙΚΑ



- 1 Μεταλλικό στήριγμα για κωνικό στοπ  
(δεν εγκαθίσταται από προεπιλογή)
- 2 Κωνικό στοπ
- 3 Βίδα στερέωσης για μεταλλικό στήριγμα
- 4 Κλειδί άλεν 2,5 χιλ. (περιλαμβάνεται)
- 5 Παξιμάδι στερέωσης θέσης για κωνικό στοπ



- 6 Βραχίονας πεντάλ
- 7 Στήριγμα πλαστικής κεφαλής
- 8 Μεταλλική κεφαλή πεντάλ



## ΠΡΟΕΙΔΟΠΟΙΗΣΗ

Πριν χρησιμοποιήσετε αυτό το προϊόν, πρέπει να διαβάσετε προσεκτικά αυτές τις οδηγίες και να τις φυλάξετε για μελλοντική χρήση.



Για λόγους ασφαλείας, ποτέ μην χρησιμοποιείτε το σετ των πεντάλ  
ζυπόλητοι ή ενώ φοράτε μόνο κάλτσες.  
Η THRUSTMASTER® ΑΠΟΠΟΙΕΙΤΑΙ ΟΠΟΙΑΣΔΗΠΟΤΕ ΕΥΘΥΝΗΣ ΣΕ  
ΠΕΡΙΠΤΩΣΗ ΤΡΑΥΜΑΤΙΣΜΟΥ ΠΟΥ ΠΡΟΚΑΛΕΙΤΑΙ ΑΠΟ ΤΗ ΧΡΗΣΗ ΤΟΥ ΣΕΤ  
ΤΩΝ ΠΕΝΤΑΛ ΧΩΡΙΣ ΠΑΠΟΥΤΣΙΑ.



**Προειδοποίηση – Προστασία από τον κίνδυνο μαγκώματος στο σετ των πεντάλ κατά τη διάρκεια του παιχνιδιού**

- \* Κρατήστε το σετ των πεντάλ μακριά από παιδιά.
- \* Κατά τη διάρκεια του παιχνιδιού, ποτέ μην τοποθετείτε τα δάκτυλά σας επάνω ή οπουδήποτε κοντά στις πλευρές των πεντάλ.
- \* Κατά τη διάρκεια του παιχνιδιού, ποτέ μην τοποθετείτε τα δάκτυλά ή τους αντίχειρές σας επάνω ή οπουδήποτε κοντά στις πλευρές των πεντάλ.
- \* Κατά τη διάρκεια του παιχνιδιού, ποτέ μην τοποθετείτε τα δάκτυλά ή τους αντίχειρές σας επάνω ή οπουδήποτε κοντά στην επάνω επιφάνεια των πεντάλ.

ΠΟΤΕ



ΠΟΤΕ



ΠΟΤΕ





## **ΣΗΜΑΝΤΙΚΟ:**

- Πότε μην συνδέετε ή αποσυνδέετε το σετ των πεντάλ από τη βάση του τιμονιού όταν το τιμόνι είναι συνδεδεμένο στο σύστημα PS3™ ή PS4™, ή κατά τη διάρκεια παιχνιδιών, για να αποτρέψετε προβλήματα βαθμονόμησης.
- = Πάντα συνδέετε το σετ των πεντάλ στο τιμόνι πριν συνδέσετε το τιμόνι στο σύστημα PS3™ or PS4™.
- Αφού το τιμόνι αυτοβαθμονομηθεί και το παιχνίδι ξεκινήσει, τα πεντάλ ρυθμίζονται αυτόματα μόνα τους αφού τα πατήσετε μερικές φορές.
- Για να αποφύγετε προβλήματα βαθμονόμησης, ποτέ μην πατάτε τα πεντάλ όταν το τιμόνι αυτοβαθμονομείται ή όταν ξεκινά το παιχνίδι.
- Αν τα πεντάλ δεν λειτουργούν σωστά ή φαίνεται ότι δεν έχουν βαθμονομηθεί σωστά, απενεργοποιήστε την κονσόλα, αποσυνδέστε εντελώς το τιμόνι σας, μετά επανασυνδέστε όλα τα καλώδια (συμπεριλαμβανομένου του καλωδίου παροχής και του καλωδίου του σετ των πεντάλ), ενεργοποιήστε ξανά την κονσόλα και ξεκινήστε ξανά το παιχνίδι σας.

## **ΠΡΟΣΑΡΤΗΣΗ ΤΟΥ ΣΕΤ ΤΩΝ ΠΕΝΤΑΛ ΣΕ ΘΕΣΗ ΟΔΗΓΟΥ**

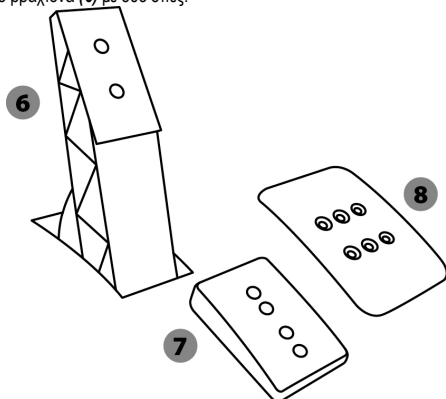
- Προσαρτήστε το σετ των πεντάλ χρησιμοποιώντας τα μικρά σπειρώματα βιδώματος στο κάτω μέρος του σετ των πεντάλ.
- Βιδώστε τις δύο βίδες M6 (δεν περιλαμβάνονται) μέσα από την επιφάνεια στήριξης του πεντάλ στη θέση του οδηγού και μέσα από τα δύο μικρά σπειρώματα βιδών που βρίσκονται στο κάτω μέρος του σετ των πεντάλ.

**Σημαντικό:** Το μήκος των δύο βιδών M6 δεν πρέπει να υπερβαίνει το πάχος της επιφάνειας στήριξης των πεντάλ στη θέση του οδηγού συν ένα πρόσθετο πάχος 10 χιλ., ώστε να αποτρέψετε τη ζημιά στα εσωτερικά εξαρτήματα του σετ των πεντάλ.

## ΡΥΘΜΙΣΗ ΤΟΥ ΣΕΤ ΤΩΝ ΠΕΝΤΑΛ

Καθένα από τα τρία πεντάλ διαθέτει:

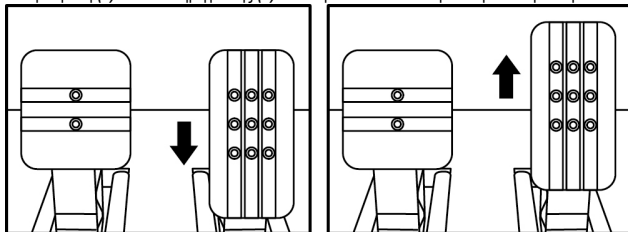
- Μια μεταλλική κεφαλή (8) με πολλές οπές (εννιά για το γκάζι – δύο για το φρένο – έξι για τον συμπλέκτη).
- Μια πλαστική κεφαλή στήριξης (7) (ανάμεσα στην κεφαλή και στον βραχίονα) με 4 οπές.
- Έναν μεταλλικό βραχίονα (6) με δύο οπές.



**ΠΡΟΣΟΧΗ:** Για να αποφύγετε όποια προβλήματα βαθμονόμησης, βεβαιωθείτε ότι έχετε αποσυνδέσει το καλώδιο USB του τιμονιού σας από το σύστημα PS3™ ή PS4™, πριν κάνετε οποιασδήποτε ρυθμίσεις στο σετ των πεντάλ.

### Ρύθμιση του ΥΨΟΥΣ του πεντάλ γκαζιού

- Χρησιμοποιήστε το κλειδί άλεν των 2,5 χιλ. που παρέχεται (4) ξεβιδώστε τις δύο βίδες κρατώντας τη μεταλλική κεφαλή (8) και το στήριγμά της (7) στη σωστή θέση.
- Επιλέξτε τη θέση ύψους που προτιμάτε, μετά επανατοποθετήστε και σφίξτε ξανά τις βίδες, ώστε η μεταλλική κεφαλή (8) και το στήριγμά της (7) να στερεώνονται σταθερά στη σωστή θέση.



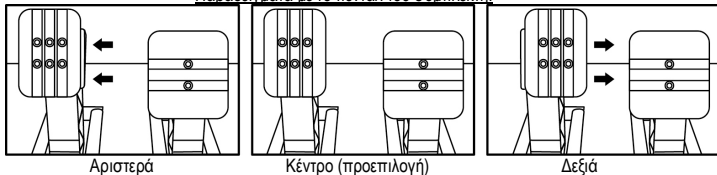
Χαμηλή θέση (προεπιλογή)

Υψηλή θέση

## Ρύθμιση της ΑΠΟΣΤΑΣΗΣ

- Χρησιμοποιήστε το κλειδί άλεν των 2,5 χιλ. που παρέχεται (4) ξεβιδώστε τις δύο βίδες κρατώντας τη μεταλλική κεφαλή (8) και το στήριγμά της (7) στη σωστή θέση.
- Επιλέξτε τη θέση που προτιμάτε (προς τα αριστερά, στο κέντρο ή προς τα δεξιά), μετά επανατοποθετήστε και σφίξτε ξανά τις βίδες, ώστε η μεταλλική κεφαλή (8) και το στήριγμά της (7) να στερεώνονται σταθερά στη σωστή θέση.

Παραδείγματα με το πεντάλ του συμπλέκτη:



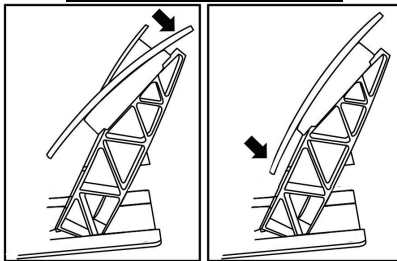
Αριθμός πιθανών θέσεων απόστασης ανά πεντάλ:

- Τρεις για το πεντάλ του γκαζιού
- Τρεις για το πεντάλ του συμπλέκτη

## Ρύθμιση της ΚΛΙΣΗΣ των πεντάλ

- Χρησιμοποιήστε το κλειδί άλεν των 2,5 χιλ. που παρέχεται (4) ξεβιδώστε τις δύο βίδες κρατώντας τη μεταλλική κεφαλή (8) και το στήριγμά της (7) στη σωστή θέση.
- Στρέψτε την πλαστική κεφαλή στήριξης (7) 180°, μετά επανατοποθετήστε και σφίξτε ξανά τις βίδες, ώστε η μεταλλική κεφαλή (8) και το στήριγμά της (7) να στερεώνονται σταθερά στη σωστή θέση.

Παραδείγματα με το πεντάλ του γκαζιού:



Θέση με λιγότερη κλίση

Θέση με περισσότερη κλίση (προεπιλογή)

Αριθμός πιθανών θέσεων κλίσης ανά πεντάλ:

- Δύο για το πεντάλ του γκαζιού
- Δύο για το πεντάλ του φρένου
- Δύο για το πεντάλ του συμπλέκτη

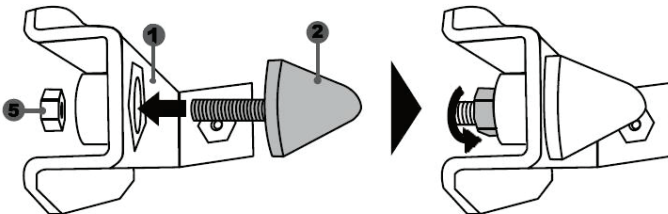
## Η εγκατάσταση του κωνικού στοπ ("CONICAL RUBBER BRAKE" mod)

Αυτή η τροποποίηση (ή "mod") δεν είναι ουσιαστικής σημασίας και δεν εγκαθίσταται από προεπιλογή. Αυτό σημαίνει ότι το πεντάλ του φρένου λειτουργεί τέλεια ακόμη κι αν το mod δεν έχει εγκατασταθεί.

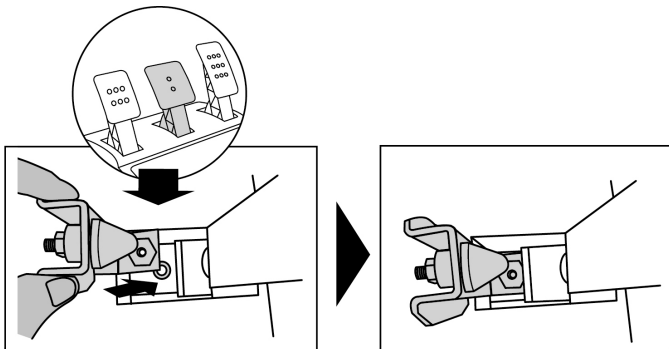
Αυτό το κουμπί mod σας παρέχει τη δυνατότητα να βιώσετε διάφορες αισθήσεις και αντίσταση όταν πατάτε φρένο.

Είναι καθαρά δική σας προτίμηση αν θέλετε να το εγκαταστήσετε ή όχι.

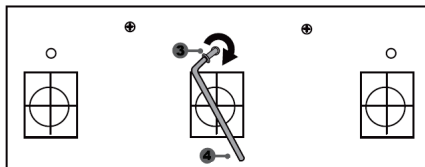
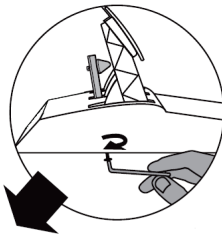
- Βιδώστε το κωνικό στοπ (2) επάνω στο μεταλλικό στήριγμα (1).
- Βιδώστε το παξιμάδι ρύθμισης θέσης (5) στο κάτω μέρος (στην κεφαλή της βίδας του κωνικού στοπ).



- Τοποθετήστε τη μονάδα στο πίσω μέρος του βραχίονα του φρένου.



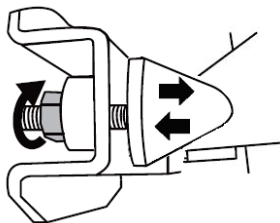
- Με ένα κλειδί άλεν 2,5 χιλ. (4), προσαρτήστε τη μονάδα χρησιμοποιώντας μια βίδα στερέωσης (3) και τη μικρή κεντρική βίδα με κεφαλή που βρίσκεται στο σετ των πεντάλ.



*Τώρα το “CONICAL RUBBER BRAKE” mod έχει εγκατασταθεί!*

## Ρύθμιση του ΕΥΡΟΥΣ της διαδρομής του πεντάλ του φρένου και την ΙΣΧΥ της αντίστασης

Ξεβιδώνοντας ελαφρά το παξιμάδι (5), μπορείτε να αυξήσετε κι άλλο την αντίσταση του πεντάλ του φρένου μετακινώντας το κωνικό στοπ (2) πιο κοντά στο πίσω μέρος του βραχίονα του πεντάλ (αν χρειαστεί, χρησιμοποιήστε ένα κλειδί 14 mm ή πένσα για να σφίξετε ξανά το παξιμάδι και να διατηρήσετε την επιλεγμένη θέση). Όσο πιο κοντά είναι τοποθετημένο το κωνικό στοπ στο πίσω μέρος του βραχίονα του πεντάλ, τόσο μεγαλύτερη θα είναι η ισχύς της αντίστασης.



**Σημείωση:** Όταν το κωνικό στοπ είναι πολύ κοντά στο πίσω μέρος του βραχίονα του πεντάλ του φρένου, μπορεί να βιώσετε τη μέγιστη τιμή βαθμονόμησης. Σε αυτήν την περίπτωση:

- \* **Αρνά,** πατήστε πολύ δυνατά το πεντάλ του φρένου έτσι ώστε να φτάσετε στη μέγιστη τιμή (αν χρειαστεί, σταθείτε πολύ σύντομα επάνω στο πεντάλ – για ένα μόλις δευτερόλεπτο), μετά αφήστε ελεύθερο το πεντάλ, ή διαφορετικά
- \* Μετακινήστε το κωνικό στοπ λίγο πιο πέρα από το πίσω μέρος του βραχίονα του φρένου.

## **Πληροφορίες εγγύησης καταναλωτή**

Παγκοσμίως, η Guillemot Corporation S.A. της οποίας η εγγεγραμμένη έδρα είναι η οδός Place du Granier, B.P. 97143, 35571 Chanteprie, France (Γαλλία) (εφεξής "Guillemot") εγγυάται στον καταναλωτή ότι το προϊόν της Thrustmaster δεν παρουσιάζει ελάττωμα στο υλικό ούτε κατασκευαστικές ατέλειες για το χρονικό διάστημα της εγγύησης, το οποίο αντιστοιχεί στο χρονικό όριο για άσκηση αγωγής για συμμόρφωση αναφορικά με αυτό το προϊόν. Στις χώρες της Ε.Ε., αυτό αντιστοιχεί σε διάστημα δύο (2) ετών από την παράδοση του προϊόντος της Thrustmaster. Σε άλλες χώρες, η περίοδος εγγύησης αντιστοιχεί στο χρονικό όριο για άσκηση αγωγής για συμμόρφωση αναφορικά με το προϊόν της Thrustmaster σύμφωνα με την ισχύουσα νομοθεσία της χώρας στην οποία ο καταναλωτής διέμενε κατά την ημερομηνία αγοράς του προϊόντος της Thrustmaster (σε περίπτωση που δεν υπάρχει τέτοια ενέργεια στην αντίστοιχη χώρα, τότε η εγγύηση θα ισχύει για ένα (1) έτος από την αρχική ημερομηνία αγοράς του προϊόντος της Thrustmaster).

Σε περίπτωση που το προϊόν σας φαίνεται να είναι ελαττωματικό κατά την περίοδο της εγγύησης, επικοινωνήστε αμέσως με την Τεχνική υποστήριξη, η οποία θα υποδείξει την διαδικασία που θα ακολουθήσετε. Αν το ελάττωμα επιβεβαιωθεί, το προϊόν πρέπει να επιστραφεί στο σημείο αγοράς του (ή σε οποιοδήποτε άλλο σημείο υποδεικνύει η Τεχνική υποστήριξη).

Στα πλαίσια της εγγύησης, το ελαττωματικό προϊόν του καταναλωτή, με επιλογή της Τεχνικής υποστήριξης, είτε θα αντικατασταθεί είτε θα επιστραφεί και θα είναι σε κατάσταση λειτουργίας. Αν κατά τη διάρκεια της περιόδου εγγύησης το προϊόν της Thrustmaster υπόκειται σε τέτοιου είδους μετασκευή, οποιαδήποτε περίοδος τουλάχιστον επτά (7) ημερών κατά την οποία το προϊόν έχει τεθεί εκτός χρήσης θα προστεθεί στην εναπομένουσα περίοδο εγγύησης (αυτή η περίοδος ισχύει από την ημερομηνία του αιτήματος του καταναλωτή για παρέμβαση ή από την ημερομηνία κατά την οποία το εν λόγω προϊόν διατίθεται για μετασκευή, αν η ημερομηνία κατά την οποία το προϊόν διατίθεται για μετασκευή είναι επακόλουθη της ημερομηνίας του αιτήματος για παρέμβαση). Αν επιτρέπεται από την ισχύουσα νομοθεσία, η πλήρης ευθύνη της Guillemot και των θυγατρικών της (περιλαμβάνονται οι επακόλουθες ζημιές) περιορίζεται στην επιστροφή σε κατάσταση λειτουργίας ή την αντικατάσταση του προϊόντος της Thrustmaster. Αν επιτρέπεται από την ισχύουσα νομοθεσία, η Guillemot αποποιείται κάθε εγγύηση εμπροθεσιμότητας ή καταλληλότητας για τον συγκεκριμένο σκοπό.

Η παρούσα εγγύηση δεν ισχύει: (1) αν το προϊόν έχει τροποποιηθεί, ανοιχτεί, μεταποιηθεί ή υποστεί βλάβη ως αποτέλεσμα ακατάλληλης ή κακής χρήσης, αμέλειας, ατυχήματος, φυσιολογικής φθοράς ή οποιασδήποτε άλλης αιτίας που δεν σχετίζεται με ελάττωμα στο υλικό ή κατασκευαστικό ελάττωμα (συμπεριλαμβανομένων, ενδεικτικά, συνδυάζοντας το προϊόν της Thrustmaster με οποιοδήποτε ακατάλληλο στοιχείο, συμπεριλαμβανομένων συγκεκριμένων παροχών ρεύματος, επαναφορτιζόμενων μπαταριών, φορτιστών ή άλλων στοιχείων που δεν παρέχονται από τη Guillemot για αυτό το προϊόν), (2) αν το προϊόν έχει χρησιμοποιηθεί για οποιαδήποτε άλλη χρήση πέρα από την οικιακή χρήση, συμπεριλαμβανομένης χρήσης για επαγγελματικούς ή εμπορικούς σκοπούς (για παράδειγμα, δωμάτια παιχνιδιών, εκπαίδευση, διαγωνισμοί), (3) σε περίπτωση μη συμμόρφωσης με τις οδηγίες που παρέχονται από την Τεχνική υποστήριξη, (4) για λογισμικό, το εν λόγω λογισμικό υπόκειται σε συγκεκριμένη εγγύηση, (5) για αναλώσιμα (στοιχεία που πρόκειται να αντικατασταθούν από τη διάρκεια ζωής του προϊόντος: για παράδειγμα, μπαταρίες μίας χρήσης, καλύμματα αυτιών για σετ ακουστικών ή ακουστικά), (6) για αξεσουάρ (για παράδειγμα, καλώδια, περιβλήματα, θήκες, τσάντες, λουράκια καρπού), (7) αν το προϊόν πωληθεί σε δημοπρασία.

Η παρούσα εγγύηση δεν μεταβιβάζεται.

Τα νομικά δικαιώματα του καταναλωτή σε σχέση με την ισχύουσα νομοθεσία όσον αφορά την πώληση των καταναλωτικών ειδών στη χώρα του/της που δεν επηρεάζονται από την παρούσα εγγύηση.

## Επιπλέον διατάξεις εγγύησης

Κατά την περίοδο εγγύησης, η Guillemot δεν θα διαθέσει, κατά βάση, κανένα ανταλλακτικό, καθώς Η Τεχνική υποστήριξη είναι ο μόνος συμβαλλόμενος εξουσιοδοτημένος να ανοίξει και/ή να μετασκευάσει οποιοδήποτε προϊόν της Thrustmaster (με εξαίρεση κάθε διαδικασία μετασκευής, την οποία η Τεχνική υποστήριξη μπορεί να ζητήσει να διεξάγει ο καταναλωτής, υπό τη μορφή γραπτών οδηγιών – για παράδειγμα, λόγω της απλούστευσης και της έλλειψης εμπιστευτικότητας της διαδικασίας μετασκευής – και παρέχοντας στον καταναλωτή το απαιτούμενο(α) ανταλλακτικό(ά), όπου είναι εφικτό).

Δεδομένου των κύκλων καινοτομιών και με σκοπό την προστασία της τεχνολογίας και των εμπορικών μυστικών, η Guillemot δεν θα παρέχει, κατά βάση, καμία ειδοποίηση περί μετασκευής ή ανταλλακτικών για κανένα προϊόν της Thrustmaster του οποίου η περίοδος εγγύησης έχει λήξει.

## Ευθύνη

Αν επιτρέπεται από την ισχύουσα νομοθεσία, η Guillemot Corporation S.A. (εφεξής "Guillemot") και οι θυγατρικές της αποποιούνται κάθε ευθύνης για οποιαδήποτε ζημιά προκαλείται από ένα ή περισσότερα από τα ακόλουθα: (1) το προϊόν έχει τροποποιηθεί, ανοιχτεί ή μεταποιηθεί, (2) αποτυχία ως προς τη συμμόρφωση με τις οδηγίες συναρμολόγησης, (3) ακατάλληλη ή κακή χρήση, αμέλεια, ατύχημα (για παράδειγμα, πρόσκρουση), (4) φυσιολογική φθορά, (5) χρήση του προϊόντος για οποιαδήποτε άλλη χρήση πέρα από την οικιακή χρήση, συμπεριλαμβανομένης χρήσης για επαγγελματικούς ή εμπορικούς σκοπούς (για παράδειγμα, δωμάτια παιχνιδιών, εκπαίδευση, διαγωνισμοί). Αν επιτρέπεται από την ισχύουσα νομοθεσία, η Guillemot και οι θυγατρικές της αποποιούνται κάθε ευθύνης για οποιαδήποτε ζημιά δεν σχετίζεται με λάθος στο υλικό ή την κατασκευή αναφορά με το προϊόν (συμπεριλαμβάνεται, ενδεικτικά, οποιαδήποτε ζημιά προκαλείται άμεσα ή έμμεσα από οποιοδήποτε λογισμικό ή από συνδυασμό του προϊόντος της Thrustmaster με κάθε ακατάλληλο στοιχείο, συμπεριλαμβανομένων συγκεκριμένων παροχών ρεύματος, επαναφορτιζόμενων μπαταριών, φορτιστών ή άλλων στοιχείων που δεν παρέχονται από την Guillemot για αυτό το προϊόν).

**THRUSTMASTER®**

**ΤΕΧΝΙΚΉΣ ΥΠΟΣΤΉΡΙΞΗΣ**

<http://support.thrustmaster.com>





## ΠΝΕΥΜΑΤΙΚΑ ΔΙΚΑΙΩΜΑΤΑ

© 2017 Guillemot Corporation S.A. Με την επιφύλαξη παντός δικαιώματος. Η ονομασία Thrustmaster® είναι εμπορικό σήμα κατατεθέν της Guillemot Corporation S.A.

Με άδεια πώλησης σε Ευρώπη, Αφρική, Μέση Ανατολή, Ρωσία, Ινδία και Ωκεανία. Για χρήση μόνο με PlayStation®3 και PlayStation®4.

Όλα τα υπόλοιπα εμπορικά σήματα αποτελούν ιδιοκτησία των αντίστοιχων κατόχων τους. Οι εικόνες δεν είναι δεσμευτικές. Τα περιεχόμενα, τα σχέδια και οι προδιαγραφές υπόκεινται σε αλλαγές χωρίς προειδοποίηση και μπορεί να διαφέρουν από χώρα σε χώρα. Κατασκευάζεται στην Κίνα.

Κατασκευάζεται και διανέμεται από τη Guillemot Corporation S.A.

## ΣΥΣΤΑΣΗ ΠΡΟΣΤΑΣΙΑΣ ΠΕΡΙΒΑΛΛΟΝΤΟΣ



Στην Ευρωπαϊκή Ένωση: Στο τέλος της ωφέλιμης διάρκειας ζωής, το παρόν προϊόν δεν πρέπει να απορρίπτεται με τα τυπικά οικιακά απορρίμματα, αλλά να απορρίπτεται σε σημείο συλλογής απόρριψης ηλεκτρικού και ηλεκτρονικού εξοπλισμού για ανακύκλωση.

Το παρόν επιβεβαιώνεται με το σύμβολο που υπάρχει στο προϊόν, στο εγχειρίδιο χρήσης ή στη συσκευασία.

Ανάλογα με τα χαρακτηριστικά τους, τα υλικά μπορούν να ανακυκλωθούν.

Μέσω της ανακύκλωσης και άλλων μορφών επεξεργασίας απόρριψης ηλεκτρικού και ηλεκτρονικού εξοπλισμού, μπορείτε να συμβάλετε σημαντικά

στην προστασία του περιβάλλοντος. Επικοινωνήστε με τις τοπικές αρχές για το πλησιέστερο σε εσάς σημείο συλλογής.

Για όλες τις υπόλοιπες χώρες: Να τηρείτε τους τοπικούς νόμους περί ανακύκλωσης του ηλεκτρικού και ηλεκτρονικού εξοπλισμού.

Κρατήστε αυτές τις πληροφορίες. Τα χρώματα και τα διακοσμητικά ενδέχεται να ποικίλουν.

Τα πλαστικά εξαρτήματα σύνδεσης και τα αυτοκόλλητα υλικά πρέπει να αφαιρούνται από το προϊόν πριν τη χρήση του.

[www.thrustmaster.com](http://www.thrustmaster.com)

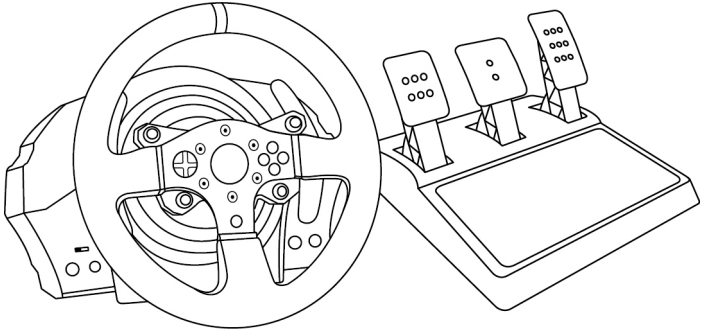
\*Ισχύει μόνο σε ΕΕ και Τουρκία



# T300 RS

## GT Edition

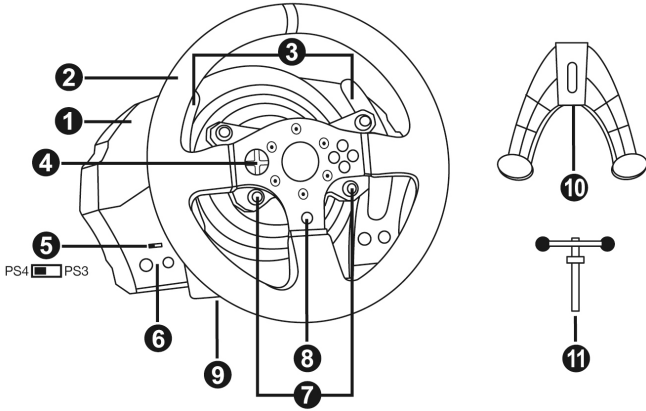
### Kullanma Kılavuzu



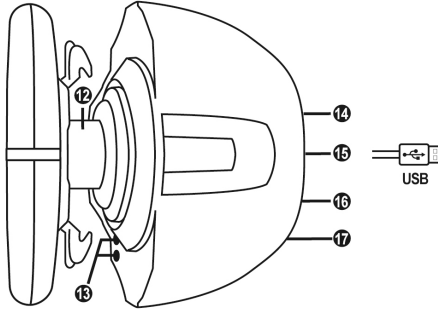
#### **UYARI:**

T300 yarış direksiyonunuzun oyunlarla düzgün çalışmasını sağlamak için, oyunların otomatik güncellemelerini yüklemeniz gerekebilir (sisteminiz İnternete bağlıyken yapılabilir).

## TEKNİK ÖZELLİKLER



- 1 T300 RS tabanı
- 2 Ferrari T300 GT
- 3 2 direksiyondan kumandalı sıralı vites (Up ve Down)
- 4 Çok yönlü D-Ped
- 5 Dahili PS4™/PS3™ USB düğmesi
- 6 MODE düğmesi + kırmızı/yeşil gösterge lambası
- 7 PS3™'de SELECT/START düğmeleri ve PS4™'te SHARE/OPTIONS düğmeleri
- 8 PS düğmesi
- 9 Büyük dişi delik (montaj sistemi ve sabitleme vidası için)
- 10 Montaj sistemi
- 11 Metal bağlantı vidası



- 12 Thrustmaster Quick Release
- 13 L3/R3 düğmeleri
- 14 Güç kaynağı konektörü (tip A veya B) (ülkeden ülkeye farklılık gösterir)
- 15 Yarış direksiyonu USB kablosu ve konektörü
- 16 Vites kutusu konektörü (vites kutusu ayrı olarak satılır)
- 17 Pedal seti konektörü

## YARIŞ DİREKSİYONUNUN ELEKTRİK PRİZİNE TAKILMASI: LÜTFEN DEVAM ETMEDEN ÖNCE OKUYUN!

Yarış direksiyonunuzun güç beslemesi cihazınızı aldığınız ülkeye göre değişir.

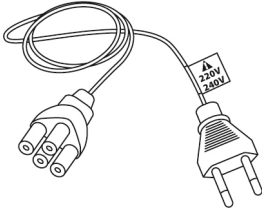
Güç kaynağı şunlardan biri olabilir:

### Dahili:

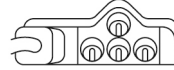
\* Doğrudan yarış direksiyonu tabanının içine yerleştirilmiş, tip A konektörlü güç besleme birimi.

\* 220-240 V elektrik kablosu.

= sadece 220-240 V elektrik şebekesi ile uyumlu.



**220-240 V elektrik kablosunu asla 100-130 V prize bağlamayın!!!**  
**Bu kabloyu asla bir güç adaptörüne bağlamayın!!!**

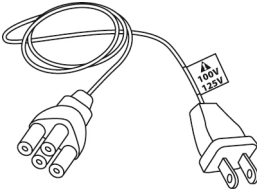


### Dahili:

\* Doğrudan yarış direksiyonu tabanının içine yerleştirilmiş, tip A konektörlü güç besleme birimi.

\* 100-125 V elektrik kablosu.

= sadece 100-125 V elektrik şebekesi ile uyumlu.



**100-125 V elektrik kablosunu asla 220-240 V prize bağlamayın!!!**  
**Bu kabloyu asla bir güç adaptörüne bağlamayın!!!**



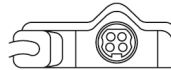
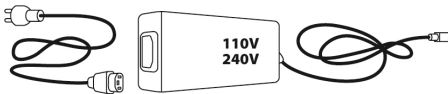
**ÖNEMLİ:** Yarış direksiyonunuzu kullandığınız bölgede hangi voltajın kullanıldığını bilmiyorsanız lütfen yerel elektrik dağıtım şirketinize başvurun.

### Harici:

\* Tip B konektörlü harici güç besleme birimi.

\* Elektrik kablosu

= 110-240V arasındaki tüm elektrik voltajları ile uyumlu.



## UYARILAR

Bu ürünü kullanmadan önce lütfen bu kılavuzu dikkatlice okuyun ve daha sonra başvurma ihtiyacı duymanız halinde kullanmak üzere güvenli bir yerde saklayın.



### **Uyarı - Elektrik çarpması**

- \* Ürünü kuru bir yerde saklayın ve toza veya güneş ışığına maruz bırakmayın.
- \* Konektörleri ve kabloları bükmeyin ve çekmeyin.
- \* Ürünün veya konektörlerinin üzerine herhangi bir sıvı dökmeyin.
- \* Ürünü kısa devre yapmayın.
- \* Ürünü asla parçalarına ayırmayın, ateşe atmayın ve yüksek sıcaklıklara maruz bırakmayın.
- \* Yarış direksiyonunuzla verilen elektrik kablosunun dışında elektrik kablosu kullanmayın.
- \* Kablo veya fişi hasarlı, yarık veya kırıkta elektrik kablosunu kullanmayın.
- \* Elektrik kablosunun prize ve yarış direksiyonu tabanının arka kısmında bulunan konektöre düzgün bir şekilde takıldığından emin olun.
- \* Yarış direksiyonunun içini açmayın: İçinde kullanıcı tarafından bakım/onarım yapılabilecek parça yoktur. Tüm onarım işlemleri üretici firma, yetkili temsilcisi veya kalifiye teknisyen tarafından yapılmalıdır.
- \* Sadece üretici tarafından belirtilmiş olan montaj sistemlerini/aksesuarları kullanın.
- \* Yarış direksiyonu beklenmeyen şekilde çalışıyorsa (anormal sesler, ısı veya koku yayıyorsa) direksiyonu kullanmayı derhal kesin, elektrik kablosunu prizden çekin ve diğer kabloları ayırın.
- \* Yarış direksiyonunu uzun süre kullanmayacaksınız elektrik kablosunu duvar prizinden çekin.



### **Havalandırma delikleri**

Yarış direksiyonunun tabanı üzerindeki hiçbir havalandırma deliğini bloke etmediğinizden emin olun. Optimum havalandırma için aşağıdaki noktalara dikkat edin:

- \* Direksiyon tabanını tüm duvar yüzeylerinden en az 10 cm uzağa yerleştirin.
- \* Tabanı dar yerlere yerleştirmeyin.
- \* Tabanı örtmeyin.
- \* Havalandırma deliklerinin üzerinde toz birikmesine izin vermeyin.



**Güvenlik nedeniyle pedal setini asla çıplak ayaklarla veya ayağınıza sadece çorap giyerek oynamayın.**

**THRUSTMASTER® PEDAL SETİNİN AYAKKABISIZ KULLANILMASINDAN KAYNAKLANAN YARALANMALARDA HİÇBİR SORUMLULUK KABUL ETMEZ.**



### **Uyarı - Force Feedback ve tekrarlanan hareketlerden dolayı yaralanma**

Force Feedback direksiyonla oynamak kas veya eklem ağrısına neden olabilir. Her türlü sorunu önlemek için:

- \* Uzun oyun periyotlarından sakının.
- \* Her oyun saatinin ardından 10 ila 15 dakika ara verin.
- \* Ellerinizde, bileklerinizde, kollarınızda, ayaklarınızda veya bacaklarınızda yorgunluk veya ağrı hissederseniz oynamayı kesin ve yeniden oynamaya başlamadan önce birkaç saat dinlenin.



## **Uyarı - Force Feedback ve tekrarlanan hareketlerden dolayı yaralanma (devamı)**

- \* Yeniden oynamaya başladığınızda yukarıda belirtilen semptomlar veya ağrı tekrar ederse oynamayı kesin ve bir doktora başvurun.
- \* Çocukların ulaşabileceği yerlerden uzak tutun.
- \* Oyun oynarken kollarınızı, tamamen gitmesine izin vermeden daima yarış direksiyonunun üzerinde doğru konumlandırılmış olarak bırakın.
- \* Oyun oynarken asla ellerinizi veya parmaklarınızı pedalların altına ya da pedal setine yakın yerlere koymayın.
- \* Kalibrasyon ve oyun sırasında asla elinizi veya kolunuzu yarış direksiyonundaki deliklere sokmayın.
- \* Yarış direksiyonu tabanının bu kılavuzda belirtildiği gibi düzgün bir şekilde sabitlendiğinden emin olun.



Sadece 16 yaş ve üzeri kullanıcılar tarafından kullanılabilir ürün



Ürünü kendinizin veya başkalarının üzerine düşürmemeye dikkat edin!

**DAİMA**



**ASLA**



**ASLA**





### **Uyarı - Oynarken pedal seti sıkıştırma tehlikesi**

- \* Pedal setini çocukların ulaşabileceği yerlerden uzak tutun.
- \* Oyun oynarken parmaklarınızı asla pedalların yanlarına veya yakın yerlere koymayın.
- \* Oyun oynarken parmaklarınızı asla pedalların arka tabanı üzerine veya yakın yerlere koymayın.
- \* Oyun oynarken parmaklarınızı asla pedalların ön tabanı üzerine veya yakın yerlere koymayın.



### **Uyarı - Oynamıyorken pedal seti sıkıştırma tehlikesi**

- \* Pedal setini güvenli ve çocukların ulaşamayacağı bir yerde saklayın.

## **YARIŞ DİREKSİYONUNUZUN DONANIM YAZILIMINI GÜNCELLEME**

Yarış direksiyonunuzun tabanında bulunan donanım yazılımı ürün geliştirmeleri içeren daha yeni sürümlere güncellenebilir.

Yarış direksiyonunuzun halihazırda kullandığı donanım yazılımı sürümünü görmek ve gerektiğinde güncellemek için: PC'de <http://support.thrustmaster.com> adresine gidin. **Racing Wheels / T300 RS**'ye tıklayın, daha sonra **Firmware**'i seçerek indirme ve yükleme prosedüründe açıklanan talimatları izleyin.

#### **Önemli not:**

PC'de yarış direksiyonu tabanının üzerinde bulunan USB seçim düğmesi (5) daima PS3™ pozisyonuna ayarlanmış olmalıdır.

## YARIŞ DİREKSİYONUNUN TABANINA TAKILMASI

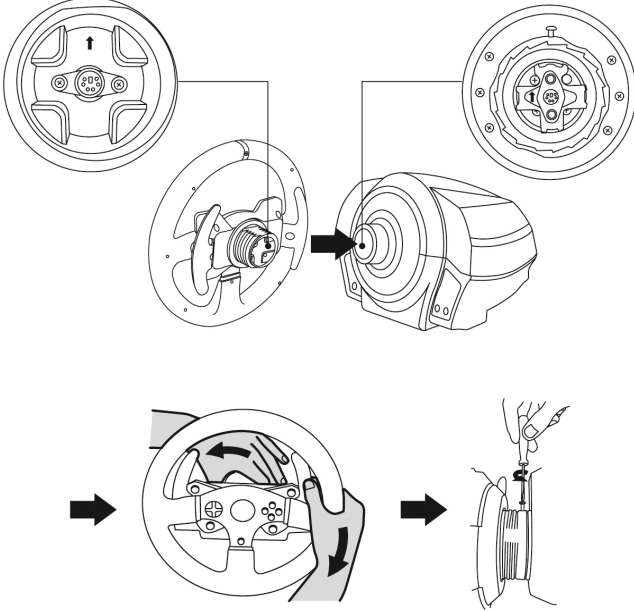
Konektör yerlerini okları kullanarak hizalayın:

**Taban (1) konektörü:** Ok yukarı doğru bakar

**Yarış direksiyonu (2) konektörü:** Ok yukarı doğru bakar

Konektörler doğru bir şekilde konumlandırıldıktan sonra yarış direksiyonunu (2) yerinde tutarken Thrustmaster Quick Release (12) aygıtının bileziğini saatin aksi yönünde döndürün.

Ardından bileziği mümkün olduğu kadar sıkın: Bunu yapmak için bileziği yerinde tutarak yarış direksiyonunu saat yönünde döndürün.



Yarış direksiyonunu taktıktan sonra Thrustmaster Quick Release (12) aygıtının bileziği üzerinde bulunan küçük montaj vidasına ulaşmak için direksiyonu 180° (direksiyona bakarken GT logosu baş aşağı olmalıdır) döndürün. Küçük ayar vidasını sıkarken büyük yıldız tornavida kullanarak saat yönünde çevirin (fazla güç uygulamayın).



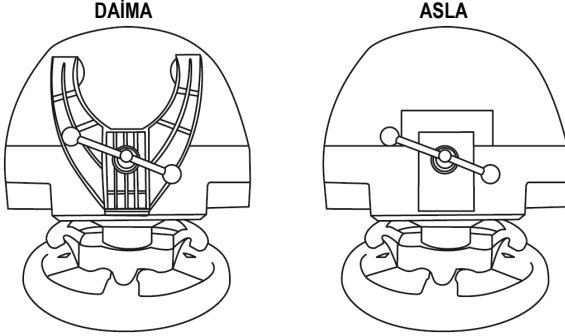
**Yıldız tornavida kullanarak küçük montaj vidasını sıkarken aşırı güç KULLANMAYINI!**  
**Bir miktar direnç hissederseniz vidayı döndürmeyi kesin.**



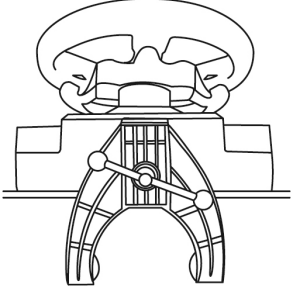
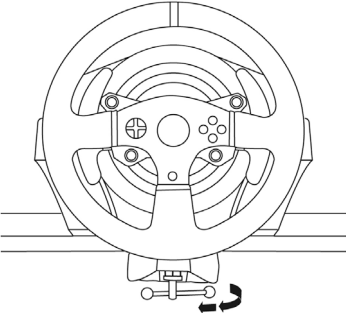
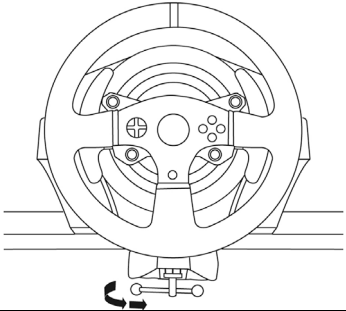
# YARIŞ DİREKSİYONUNUN MONTE EDİLMESİ

## Yarış direksiyonunun bir sehpa veya masaya monte edilmesi

1. Yarış direksiyonunu bir masa veya yatay, düz ve sağlam bir yüzeye yerleştirin.
2. Bağlantı vidasını (11) montaj sistemine takın (10) ve direksiyon tamamen sabitlenene dek bağlantı vidasını saatin aksi yönünde sıkarak, yarış direksiyonunu altındaki büyük dişli deliğe (9) geçirin.



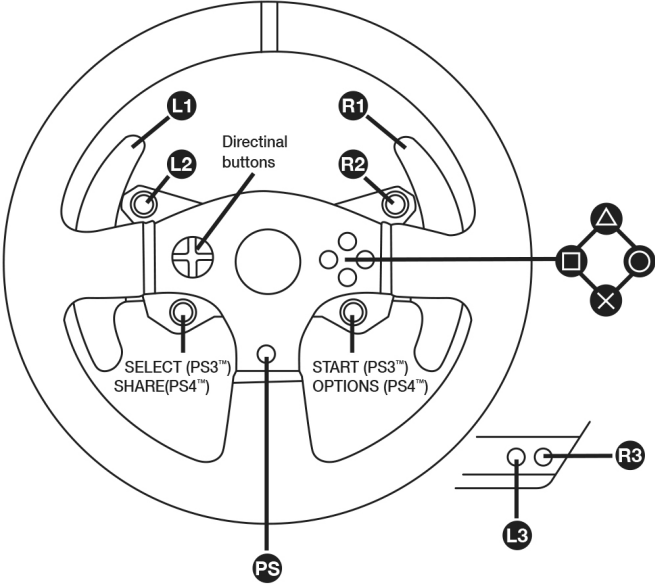
**UYARI:** Vidayı, montaj sistemi olmadan asla tek başına sıkmayın!  
(Yarış direksiyonuna zarar verebilir.)

MONTE ETME / SÖKME	YÖN
<p><b><u>Sıkmak için:</u></b></p> <p><i>Vidayı saatin aksi yönünde çevirin</i></p>	 
<p><b><u>Gevşetmek için:</u></b></p> <p><i>Vidayı saat yönünde çevirin</i></p>	

## Yarış direksiyonu tabanını kokpite monte etme

1. Yarış direksiyonu tabanını kokpit rafına yerleştirin.
2. İki adet M6 vidayı (ürünle verilmez) kokpit rafından geçirin ve yarış direksiyonunun altında bulunan iki küçük vida deliğine takın.  
*Önemli: İki M6 vidanın boyu raf kalınlığı + 12 mm'yi geçmemelidir; daha uzun vidalar yarış direksiyonu tabanında bulunan dahili bileşenlere zarar verebilirler.*
3. Gerekirse bağlantı vidasını büyük dişli deliğe geçirerek standart montaj sistemini sıkın.

## PLAYSTATION®3 VE PLAYSTATION®4 DÜĞME YERLEŞİMİ



# YARIŞ DİREKSİYONUNUN PLAYSTATION®3 VEYA PLAYSTATION®4 İÇİN AYARLANMASI

1. Pedal setini, yarış direksiyonu tabanının arka kısmında bulunan konektöre (17) bağlayın.
2. Elektrik kablosunu, yarış direksiyonu tabanının arka kısmında bulunan konektöre (14) bağlayın.
3. Elektrik kablosunu aynı voltaj özelliklerine sahip bir prize takın.



**Bununla ilgili daha fazla bilgi için lütfen bu kılavuzun 3. sayfasındaki YARIŞ DİREKSİYONUNUN ELEKTRİK PRİZİNE TAKILMASI kısmına bakın.**

4. Yarış direksiyonunun tabanındaki USB seçim düğmesini, kullandığınız konsol veya oyuna göre PS3™ veya PS4™ konumuna alın.
5. Yarış direksiyonunun USB konektörünü (15) konsolun USB portlarından birine bağlayın.
6. Konsolunuz açıldığında yarış direksiyonunuz otomatik olarak kendini kalibre edecektir.
7. PlayStation®4'de (USB seçim düğmesi PS4™ konumundayken): Yarış direksiyonunun PS düğmesine (8) basın ve direksiyonu kullanabilmek için oyuncu profilinize Sony Entertainment Network giriş yapın.

**Artık oynamaya hazırsınız!**

## Önemli notlar:

- Direksiyonun USB kablosunu konsola bağlamadan önce yarış direksiyonunun tabanındaki USB seçim düğmesi (5) uygun konuma (PS3™ veya PS4™) alınmış olmalıdır. Seçim düğmesinin konumunu değiştirmek için USB kablosunu konsoldan ayırın ve ardından USB kablosunu konsola tekrar bağlamadan önce düğmenin konumunu değiştirin.
- PlayStation®3'de USB seçim düğmesi (5) daima PS3™ konumunda olmalıdır.
  - \* Direksiyon çoğu oyunda T500 RS direksiyon şeklinde tanınır.
  - \* Direksiyon uyumlu oyunlarda ve konsol menülerinde çalışır.
  - \* "PS" fonksiyonu direksiyonda çalışır.
- PlayStation®4'de, USB seçim düğmesi (5) PS3™ konumundayken:
  - \* Direksiyon çoğu oyunda T500 RS direksiyon şeklinde tanınır.
  - \* Direksiyon uyumlu oyunlarda çalışır ancak konsol menülerinde çalışmaz.
  - \* "SHARE" ve "PS" fonksiyonu direksiyonda çalışmaz.
- PlayStation®4'de, USB seçim düğmesi (5) PS4™ konumundayken:
  - \* Direksiyonu kullanabilmek için yarış direksiyonunun PS düğmesine (8) basmayı unutmayın.
  - \* Direksiyon çoğu oyunda T300 RS direksiyon şeklinde tanınır.
  - \* Direksiyon uyumlu oyunlarda ve konsol menülerinde çalışır.
  - \* "SHARE" ve "PS" fonksiyonu direksiyonda çalışır.
- T300 RS ile uyumlu PlayStation®3 ve PlayStation®4 oyunlarının listesi (oynanan oyuna göre USB seçim düğmesinin (5) olması gereken konumu ile birlikte) şu adreste mevcuttur:  
<http://support.thrustmaster.com>  
(Racing Wheels / T300 RS / Games settings'e tıklayın).  
Bu liste düzenli olarak güncellenir.

## PC İÇİN YARIŞ DİREKSİYONU KURULUMU\*

\*PC uyumluluğu Sony Interactive Entertainment Europe tarafından tasdik edilmemektedir.

Daha fazla bilgi için bkz. <http://support.thrustmaster.com>.

### OTOMATİK YARIŞ DİREKSİYONU VE PEDAL SETİ KALİBRASYONU

Yarış direksiyonunu elektrik prizine ve yarış direksiyonunun USB konektörünü konsola bağladığınızda yarış direksiyonu kendini otomatik olarak kalibre eder.

Bu aşamada yarış direksiyonu, 1080 derecelik bir açıyı kaplayıp merkezde durmadan önce sola ve sağa doğru hızlı bir şekilde döner.



**UYARI:**

Otomatik kalibrasyon aşamasında yarış direksiyonuna asla dokunmayın.  
(*Hatalı kalibrasyona ve/veya yaralanmalara neden olabilir.*)

### OTOMATİK PEDAL SETİ KALİBRASYONU

Konsola bağlıyken veya oyun sırasında pedal setini asla yarış direksiyonu tabanına bağlamayın (veya tabandan ayırmayın) (hatalı kalibrasyona neden olabilir).

Pedal setini daima yarış direksiyonunu konsola bağlamadan önce bağlayın.

Yarış direksiyonunun kalibrasyonu tamamlandığında ve oyun başlatıldığında pedallar, bir kaç basma sonunda otomatik olarak kalibre edilirler.



**UYARI:**

Yarış direksiyonunun otomatik kalibrasyonu aşamasında veya oyun yüklenirken asla pedallara basmayın. (*Hatalı kalibrasyona neden olabilir*)

**Yarış direksiyonu ve/veya pedal seti düzgün çalışmıyorsa veya düzgün kalibre edilmemiş gibi gözüküyorsa:**

Konsolunuzu kapatın ve yarış direksiyonunuzun tamamen ayırın. Tüm kabloları (elektrik kablosu ve pedal seti dahil) tekrar bağlayın, ardından konsolunuzu ve oyununuzu yeniden başlatın.

### DAHİLİ SICAKLIK SENSÖRÜ

Direksiyonun soğutma sistemi, soğutma plakası ve fandan oluşur.

- Bir termostat, direksiyonun iç sıcaklığını izler.
- Oyun oynamak için direksiyonu kullanırken:
  - Direksiyon belirli bir sıcaklığa ulaştığında soğutma fanı çalışmaya başlar (kullanılan Force Feedback efektlerinin gücüne bağlı olarak birkaç dakika oyun oynadıktan sonra).
  - Force Feedback efektlerinin gücü, direksiyon çok yüksek sıcaklık seviyelerine ulaştığında (motoru korumak için) otomatik olarak azalır. Bu efektlerin gücü sıcaklık biraz düştüğünde, otomatik olarak artar.
- Oyun oynamayı bıraktığınızda: Motorun ısı tutması nedeniyle, sıcaklık fanın başlama seviyesinin altına düşene kadar soğutma fanı çalışmaya devam eder. Direksiyonunuz, soğutmaya yardımcı olmak ve motoru korumak için bu şekilde tasarlanmıştır (oyun sırasında direksiyon kullanırken ulaşılan sıcaklığa göre, bu 5-45 dakika sürebilir).

## MOD DÜĞMESİ VE GÖSTERGE LAMBASI (6)

### Pedal seti MOD düğmesi

T300 Yarış Direksiyonu, Thrustmaster'ın 3 pedal içeren pedal setleriyle de uyumludur; bunlar, gaz ve debriyaj pedallarını elektronik olarak değiştirmenizi sağlar.

Bunu yapmak için MOD düğmesine (6) 2 saniye süreyle basın.

Yarış direksiyonunun dahili hafızası pedalların değiştirilip değiştirilmediğini kaydeder.

GAZ VE DEBRİYAJ PEDALLARI	MOD gösterge lambasının (6) rengi
NORMAL	KIRMIZI
DEĞİŞTİRİLDİ	YEŞİL

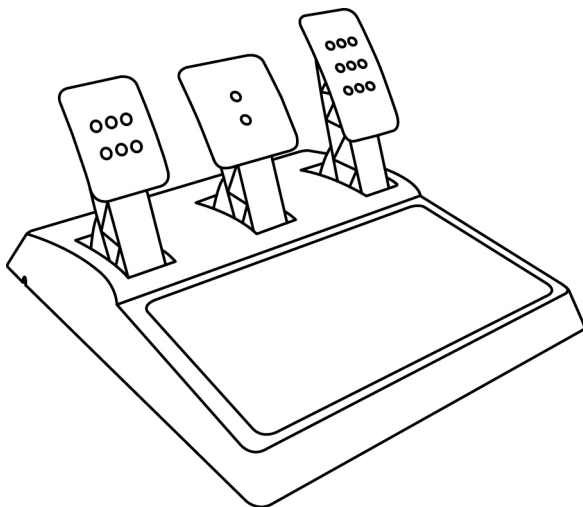
### MOD düğmesi için diğer ipuçları

MODE düğmesi ve gösterge lambası ile ilgili daha fazla bilgi için lütfen bkz. <http://support.thrustmaster.com>. Racing Wheels / T300 RS'ye tıklayın ve Manual veya FAQ'yu seçin.

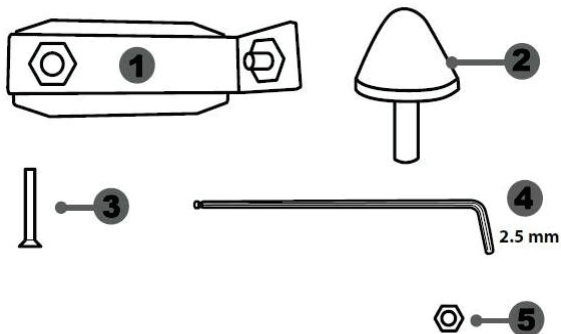
## YARDIM DOSYALARI VE SIK SORULAN SORULAR (BU KILAVUZDA GEÇMEZ)

Lütfen bkz. <http://support.thrustmaster.com>. Racing Wheels / T300 RS'ye tıklayın ve Manual veya FAQ'yu seçin.

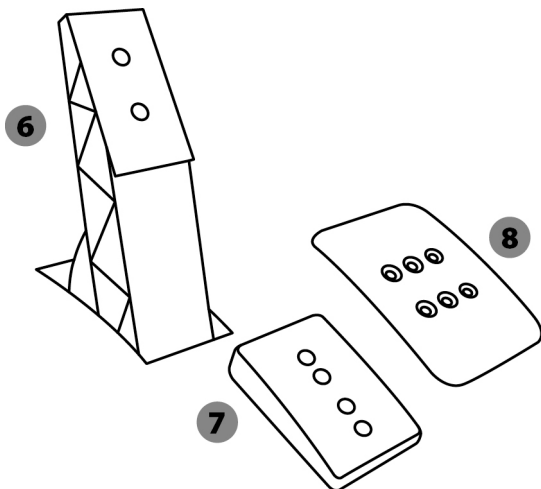
# T3PA – GT EDITION PEDAL SET



## TEKNİK ÖZELLİKLER



- 1 Konik durdurucu için metal destek  
(varsayılan olarak takılı değildir)
- 2 Konik durdurucu
- 3 Metal durdurucu montaj vidası
- 4 2,5 mm Allen anahtarı (dahil)
- 5 Konik durdurucu için pozisyon ayar somunu



- 6 Pedal kolu
- 7 Plastik başlık desteği
- 8 Metal pedal başlığı



## UYARI

Bu ürünü kullanmadan önce bu talimatları mutlaka dikkatlice okuyun ve ileride başvuru kaynağı olarak kullanmak üzere saklayın.



Güvenlik nedeniyle pedal setini asla çıplak ayaklarla veya ayağınıza sadece çorap giyerek oynamayın.  
**THRUSTMASTER® PEDAL SETİNİN AYAKKABISIZ KULLANILMASINDAN KAYNAKLANAN YARALANMALARDA HİÇBİR SORUMLULUK KABUL ETMEZ.**



**Uyarı - Oyun oturumları sırasında pedal seti sıkıştırma tehlikesi**

- \* Pedal setini çocukların ulaşabileceği yerlerden uzak tutun.
- \* Oyun oturumları sırasında parmaklarınızı asla pedalların yanlarına veya yakınına koymayın.
- \* Oyun oturumları sırasında parmaklarınızı asla pedalların arka tabanına veya yakınına koymayın.
- \* Oyun oturumları sırasında parmaklarınızı asla pedalların ön tabanına veya yakınına koymayın.

ASLA



ASLA



ASLA



## OTOMATİK PEDAL KALİBRASYONU



- Kalibrasyon sorunlarını önlemek amacıyla direksiyon PS3™ veya PS4™ sistemine bağlıyken veya oyun oturumları sırasında pedal setini asla direksiyonun tabanına bağlamayın veya tabanından ayırmayın.
- = Pedal setini direksiyona daima direksiyonu PS3™ veya PS4™ sistemine bağlamadan önce bağlayın.
- Direksiyon otomatik kalibrasyonu tamamlayıp oyun başladıktan sonra pedallar, birkaç kez basıldıklarında kendilerini otomatik olarak kalibre ederler.
- Kalibrasyon sorunlarını engellemek için direksiyon otomatik kalibrasyon yaparken veya oyun başlarken asla pedallara basmayın.
- Pedallar düzgün çalışmıyorsa veya doğru kalibre edilmemiş gibi gözüküyorsa konsolunuzu kapatın, direksiyonunuzu tamamen ayırın, ardından tüm kabloları (güç kaynağı kablosu ve pedal seti kablosu dahil) yeniden bağlayın ve konsolu yeniden açarak oyunu tekrar başlatın.

## PEDAL SETİNİ KOKPİTE MONTE ETME

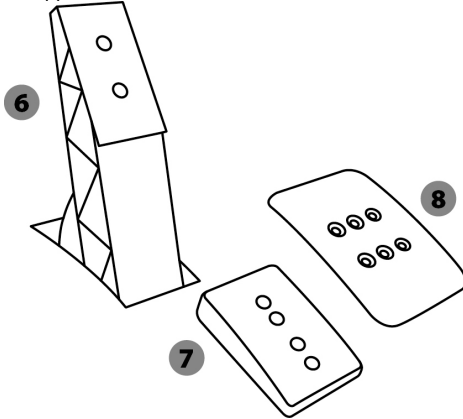
- Pedal setini, pedal setinin altında bulunan küçük vida deliklerini kullanarak monte edin.
- İki adet M6 vidayı (ürünle verilmez) kokpitin pedal destek plakasına ve pedal setinin altında bulunan iki küçük vida deliğine vidalayın.

**Önemli:** Pedal setinin iç parçalarının hasar görmesini engellemek için iki M6 vidanın boyu kokpitin pedal destek plakasının kalınlığı artı ilave 10 mm'yi aşmamalıdır.

## PEDAL SETİNİN AYARLANMASI

Üç pedal setinin her biri şunları içerir:

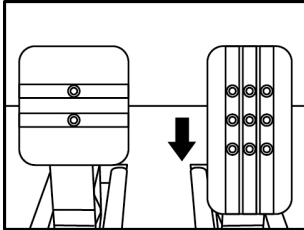
- Çok delikli (gaz pedalında dokuz - fren pedalında iki - debriyajda altı) metal başlık (8).
- Dört delikli plastik başlık desteği (7) (başlık ile kol arasında yerleştirilir).
- İki delikli pedal kolu (6).



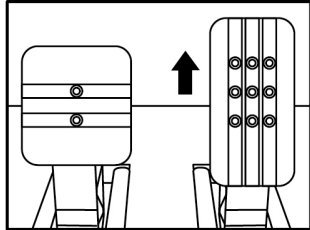
**DİKKAT:** Kalibrasyon sorunlarını önlemek için pedal setinize herhangi bir ayar yapmadan önce mutlaka direksiyonunuzun USB kablosunu PS3™ veya PS4™ sisteminden ayırın.

### Gaz pedalının YÜKSEKLİĞİNİN ayarlanması

- Ürünle verilen 2,5 mm Allen anahtarını (4) kullanarak metal başlık (8) ile desteğini (7) sabitleyen iki vidayı sökün.
- İsteddiğiniz yükseklik pozisyonunu seçerek metal başlık (8) ile desteğini (7) yerleştirerek sıkıca sabitleyecek şekilde vidaları sıkın.



Alçak pozisyon (Varsayılan)

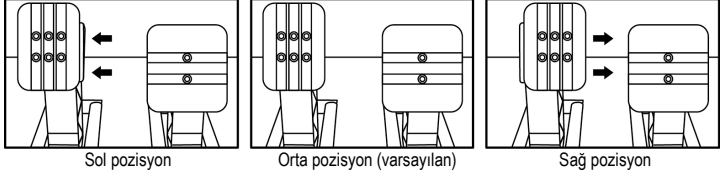


Yüksek pozisyon

## BOŞLUĞUN ayarlanması

- Ürünle verilen 2,5 mm Allen anahtarını (4) kullanarak metal başlık (8) ile desteğini (7) sabitleyen iki vidayı sökün.
- İsteddiğiniz pozisyonu (sola, ortaya veya sağa) seçerek metal başlık (8) ile desteğini (7) yerleştirerek sıkıca sabitleyecek şekilde vidaları sıkın.

Debrivaj pedalını gösteren örnekler:



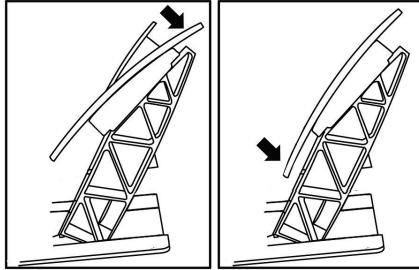
Pedal başına olası boşluk pozisyonu sayısı:

- Gaz pedalı için üç
- Debrivaj için üç

## Üç pedalın EĞİMİNİN ayarlanması

- Ürünle verilen 2,5 mm Allen anahtarını (4) kullanarak metal başlık (8) ile desteğini (7) sabitleyen iki vidayı sökün.
- Plastik başlık desteğini (7) 180° döndürün, ardından metal başlık (8) ile desteğini (7) yerleştirerek sıkıca sabitleyecek şekilde vidaları sıkın.

Gaz pedalını gösteren örnekler:



Az eğimli pozisyon

Çok eğimli pozisyon (varsayılan)

Pedal başına olası eğim pozisyonu sayısı:

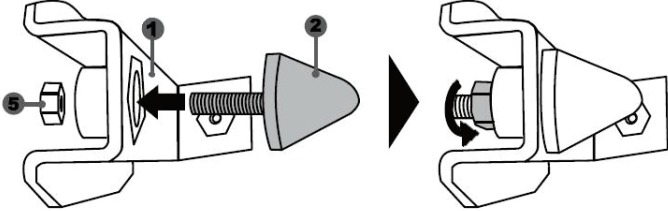
- Gaz pedalı için iki
- Fren pedalı için iki
- Debrivaj için iki

## Konik durdurucunun monte edilmesi ("CONICAL RUBBER BRAKE" mod)

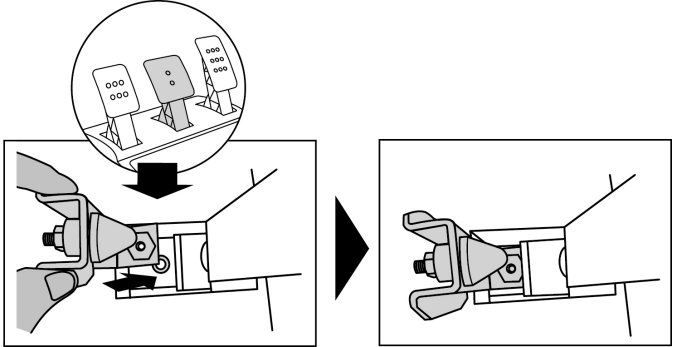
*Bu modifikasyon (veya "mod") zorunlu değildir ve varsayılan olarak monte edilmez. Yani mod monteli olmasa bile fren pedalı mükemmel çalışır.*

*Bu mod frenleme sırasında farklı bir his ve direnç yaşamamanızı sağlar. Tercihinize göre monte etmek veya etmemek size kalmıştır.*

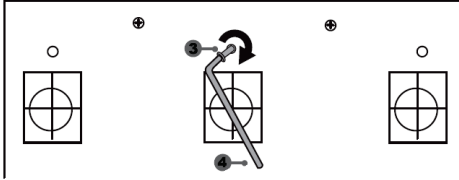
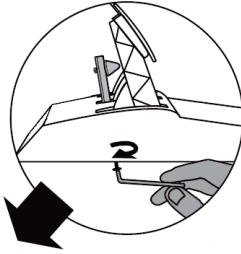
- Konik durdurucuyu (2) metal desteğine (1) vidalayın.
- Pozisyon ayar somununu (5) alta (konik durdurucunun vida deliğine) vidalayın.



- Üniteyi fren pedalı kolunun arkasına yerleştirin.



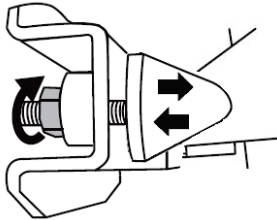
- Ürünle verilen 2,5 mm Allen anahtarını (4) kullanarak üniteyi montaj vidası (3) ve pedal setinin alt kısmında bulunan küçük merkezi vida deliğini kullanarak monte edin.



**“CONICAL RUBBER BRAKE” mod şimdi monteli!**

### Fren pedalının hareket ARALIĞININ ve direnç KUVVETİNİN ayarlanması

Somunu (5) hafif gevşetip konik durdurucuyu (2) pedal kolunun arka kısmına yaklaştırarak fren pedalının direncini daha da kuvvetlendirebilirsiniz (gerekirse somunu yeniden sıkmak ve seçili pozisyonu korumak için 14 mm anahtar veya pense kullanın). Konik durdurucu pedal kolunun arka kısmına ne kadar çok yaklaştırılırsa direnç kuvveti o kadar büyük olur.



**Not:** Konik durdurucu fren pedali kolunun arka kısmına çok yaklaştırılırsa maksimum kalibrasyon değerine ulaşmada zorluklar yaşayabilirsiniz. Bu durumda:

- \* Maksimum değere ulaşmak için yavaş bir şekilde fren pedalına iyice basarak (gerekirse pedal üzerinde çok kısa (sadece bir saniyelikliğine) durun), ardından baskıyı kesin; veya
- \* Konik durdurucuyu fren pedali kolunun arka kısmından bir miktar uzaklaştırın.

## TÜKETİCİ GARANTİ BİLGİSİ

İşbu Thrustmaster ürünü, malzeme ve işçilik hatalarına karşı, müşterinin kusurlu ürünün ücretinin iade edilmesi veya değiştirilmesi talebinde bulunabileceği süreye karşılık gelen garanti süresince dünya çapında tescil edilmiş merkezi Place du Granier, B.P. 97143, 35571 Chantepie, Fransa'da bulunan Guillemot Corporation S.A. (bundan sonra "Guillemot" olarak ifade edilecektir) garantisini altındadır. Avrupa Birliği ülkelerinde bu süre, Thrustmaster ürününün tesliminden itibaren iki (2) seneye karşılık gelir. Diğer ülkelerde garanti süresi, Thrustmaster ürünü ile ilgili olarak, Thrustmaster ürününün satın alındığı tarihte müşterinin ikamet ettiği ülkede geçerli yasalara uygun şekilde, müşterinin kusurlu ürünün ücretinin iade edilmesi veya değiştirilmesi talebinde bulunabileceği süreye karşılık gelir (İlgili ülkede bu tür bir düzenleme mevcut değilse garanti süresi Thrustmaster ürününün satın alındığı asıl tarihten itibaren bir (1) yıl olacaktır).

Garanti süresi içinde üründe hata veya kusur tespit edilmesi durumunda derhal izlenecek yöntem ile ilgili size bilgi verecek olan Teknik Destek servisimize başvurun. Hata veya kusur onaylanırsa ürünün satın alındığı yere (ya da Teknik Destek servisi tarafından belirtilen yere) iade edilmesi gerekmektedir.

İşbu garanti kapsamında müşterinin kusurlu ürünü, Teknik Destek servisinin insiyatifine bağlı olarak, değiştirilecek veya çalışır hale getirilecektir. Garanti süresince Thrustmaster ürününün onarım işlemine tabi tutulması durumunda, ürünün kullanım dışı olduğu en az yedi (7) günlük tüm süreler kalan garanti süresine eklenecektir (bu süre, ürünün onarılması için hazır bulundurulduğu tarih müdahale edilmesi için talepte bulunduğu tarihi takip ediyor ise müşterinin müdahale edilmesi için talepte bulunduğu tarihten veya bahse konu ürünün onarılması için hazır bulundurulduğu tarihten başlar). Yürürlükte olan yasaların izin verdiği durumlarda, Guillemot ve bağlılarının tüm sorumluluğu (dolaylı hasarlar da dahil olmak üzere) Thrustmaster ürününün çalışır hale getirilmesi veya değiştirilmesi ile sınırlıdır. Yürürlükte olan yasaların izin vermesi halinde Guillemot, ticarete elverişlilik veya belirli bir amaca uygunluk ile ilgili tüm garantileri reddeder.

İşbu garanti aşağıdaki durumlar için geçerli değildir: (1) Ürün modifiye edilmişse, açılmışsa, üzerinde değişiklik yapılmışsa, uygunsuz veya kötü kullanım, ihmal, kaza, normal aşınma ya da malzeme veya üretim hatası ile ilgili olmayan nedenlerden dolayı hasar görmüşse (ancak bununla sınırlı kalmamak üzere, Thrustmaster ürününü herhangi uygun bir elemanla birleştirmek, buna dahil olarak özellikle güç kaynakları, yeniden doldurulabilir piller, şarj cihazları veya bu ürün için Guillemot tarafından tedarik edilmemiş tüm diğer elemanlar); (2) ürün, evde kullanım dışında, profesyonel veya ticari maksatlı olanlar da dahil olmak üzere (örneğin oyun salonları, eğitim, yarışlar) başka maksatlarla kullanılmışsa; (3) Teknik Destek servisi tarafından sağlanan talimatlara uyulmamışsa; (4) yazılım için, işbu garanti geçerli değildir, söz konusu yazılım için sağlanan özel garanti hükümlerine tabidir; (5) sarf malzemeleri için (ürün kullanım süresi içinde değiştirilecek elemanlar: örneğin; tek kullanımlık piller, kulaklık yastıkları); (6) aksesuarlar için (örneğin; kablolar, kılıflar, cepler, çantalar, bileklikler); (7) ürün açık artırma ile satılmışsa.

Bu garanti devrolunamaz.

Tüketim mallarının tüketicinin ülkesinde satışına ilişkin tüketicinin yasal hakları işbu garantiden etkilenmemektedir.

## Ek garanti hükümleri

Garanti süresince, tüm Thrustmaster ürünlerini açmaya ve/veya onarmaya yetkili tek taraf Teknik Destek Servisi olduğundan prensip olarak Guillemot tarafından hiçbir yedek parça sağlanmayacaktır (Uygulanabilir olması durumunda yazılı talimatlarla ve müşteriye gerekli yedek parça(lar) sağlanarak Teknik Destek Servisinin müşteri tarafından yapılmasını isteyebileceği tüm onarım prosedürleri hariç – örneğin onarım işleminin basit olmasından ve gizlilik içermemesinden dolayı).

İnovasyon döngülerini dikkate almak ve bilgi birikimi ile ticari sırlarını korumak için Guillemot, prensip olarak garanti süresi dolmuş hiç bir Thrustmaster ürünü için onarım bilgisi veya yedek parça sağlamayacaktır.

## Sorumluluk

Yürürlükte olan yasaların izin vermesi halinde, Guillemot Corporation S.A. (bundan sonra "Guillemot" olarak ifade edilecektir) ve bağlıları aşağıdakilerin biri veya daha fazlasından kaynaklanan her türlü hasara karşı tüm sorumluluğu reddeder: (1) Ürün modifiye edilmişse, açılmışsa, üzerinde değişiklik yapılmışsa; (2) montaj talimatlarına uyulmamışsa; (3) uygunsuz veya kötü kullanım, ihmal, kaza (örneğin bir darbe); (4) normal aşınma; (5) ürünün, evde kullanım dışında, profesyonel veya ticari maksatlı olanlar da dahil olmak üzere (örneğin oyun salonları, eğitim, yarışlar) başka maksatlarla kullanılması. Yürürlükte olan yasaların izin vermesi halinde, Guillemot ve bağlıları ürünle ilgili malzeme veya üretim hatası ile ilgili olmayan her türlü hasara karşı tüm sorumluluğu reddeder (ancak bununla sınırlı kalmamak üzere, herhangi bir yazılımdan veya Thrustmaster ürününün herhangi bir uygun olmayan elemanla birleştirilmesinden doğrudan veya dolaylı olarak kaynaklanan tüm hasarlar, buna dahil olarak özellikle güç kaynakları, yeniden doldurulabilir piller, şarj cihazları veya bu ürün için Guillemot tarafından tedarik edilmemiş tüm diğer elemanlar).

**THRUSTMASTER®**

**TEKNİK DESTEK**

<http://support.thrustmaster.com>





## TELİF HAKKI

© 2017 Guillemot Corporation S.A. Tüm hakları saklıdır. Thrustmaster® Guillemot Corporation S.A.'nin tescilli ticari markasıdır.

Avrupa, Afrika, Orta Doğu, Rusya, Hindistan ve Okyanusya'da satılmak üzere lisanslıdır. Yalnızca PlayStation®3 ve PlayStation®4 ile kullanmak için.

Diğer tüm ticari markalar ilgili sahiplerine aittir. Fotoğraflar bağlayıcı değildir. İçindekiler, tasarım ve teknik özellikler önceden haber vermeksizin değiştirilebilir ve ülkeden ülkeye farklılık gösterebilir. Çin'de üretilmiştir.

Guillemot Corporation S.A. tarafından üretilmekte ve dağıtılmaktadır.

## ÇEVRE KORUMA ÖNERİLERİ



\* Avrupa Birliği'nde: Cihazın kullanım ömrü sona erdiğinde, standart ev atıkları ile atılmamalı, geri dönüşüm için Atık Elektrikli ve Elektronik Cihazların toplandığı bir yere bırakılmalıdır.

Bu, ürünün, kullanım kılavuzunun veya paketin üzerinde bulunan sembol ile onaylanmıştır.

Özelliklerine bağlı olarak malzemeler geri dönüştürülebilir. Atık Elektrik ve Elektronik Cihazların geri dönüşümü veya diğer işleme yöntemleri sayesinde çevrenin korunmasına yönelik önemli bir katkıda bulunabilirsiniz. Size en yakın toplama merkezleri hakkında bilgi almak için lütfen yerel yetkililerle iletişime geçin.

Diğer ülkeler için: Lütfen elektrikli ve elektronik cihazların geri dönüşümü için yerel yasalara uyunuz

## AEEE Yönetmeliğine Uygundur.

Bu belgeyi saklayın. Renkler ve süslemeler değişiklik gösterebilir.

Plastik tutturucular ve bantlar, kullanmadan önce üründen çıkarılmalıdır.

[www.thrustmaster.com](http://www.thrustmaster.com)

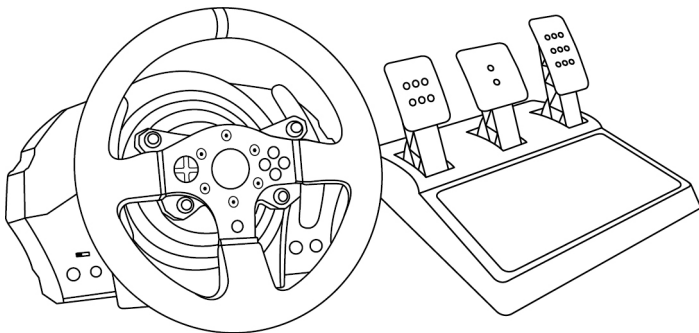
*\*Sadece AB ve Türkiye için geçerlidir*



# T300RS

## GT Edition

### Instrukcja obsługi



#### **OSTRZEŻENIE:**

W celu zapewnienia prawidłowego działania kierownicy T300 w grach może być wymagane zainstalowanie automatycznych aktualizacji gier (dostępnych, gdy system ma połączenie z Internetem).

ENGLISH

FRANÇAIS

DEUTSCH

NEDERLANDS

ITALIANO

ESPAÑOL

PORTUGUÊS

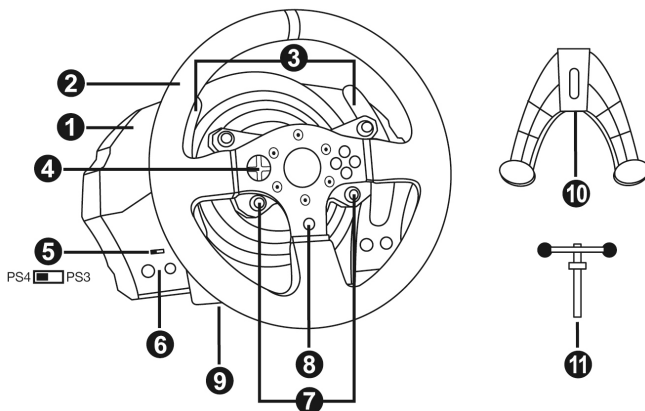
РУССКИЙ

ΕΛΛΗΝΙΚΑ

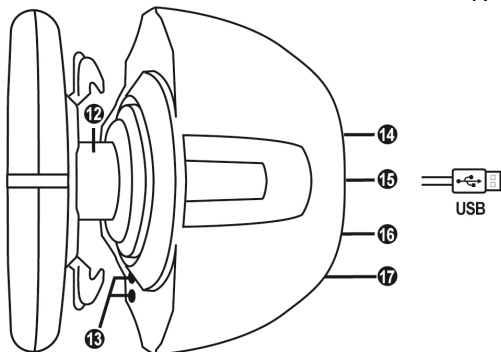
TÜRKÇE

POLSKI

# ELEMENTY



- |  |  |
|--|--|
| 1 Podstawa T300 RS                                 | 7 Przyciski SELECT/START na konsoli PS3™ i SHARE/OPTIONS na konsoli PS4™ |
| 2 Kierownica T300 GT                               | 8 Przycisk PS  |
| 3 2 łopatki sekwencyjnej zmiany biegów (Up i Down) | 9 Duży gwintowany otwór (na element montażowy i śrubę mocującą)          |
| 4 Wielokierunkowy d-pad                            | 10 Element montażowy   |
| 5 Wbudowany przełącznik suwakowy USB PS4™/PS3™     | 11 Metalowa śruba mocująca   |
| 6 Przycisk MODE + czerwona/zielona kontrolka       |  |



- |   |  |
|---|--|
| 12 Thrustmaster Quick Release                             | 15 Kabel kierownicy ze złączem USB                           |
| 13 Przyciski L3/R3  | 16 Złącze skrzyni biegów (skrzynia biegów do nabycia osobno) |
| 14 Złącze zasilania (typ A lub B) (w zależności od kraju) | 17 Złącze zestawu pedałów                                    |

## PODŁĄCZANIE KIEROWNICY DO GNIAZDA ELEKTRYCZNEGO: PRZECZYTAĆ PRZED WYKONANIEM DALSZYCH CZYNNOŚCI!

Rodzaj zasilania kierownicy zależy od kraju jej zakupu.

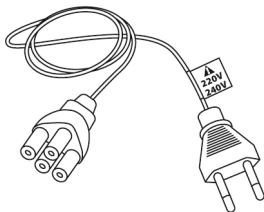
Możliwe rodzaje zasilania:

### Wewnętrzne:

\* zasilacz znajdujący się bezpośrednio w podstawie kierownicy i wyposażony w złącze typu A

\* kabel zasilania do sieci 220–240 V

= przeznaczony wyłącznie do zasilania o napięciu 220–240 V



*Kabla przeznaczonego do napięcia 220–240 V  
nie wolno podłączać do gniazda o napięciu 100–130 V!!!  
Nie wolno podłączać tego kabla do adaptera zasilania!!!*

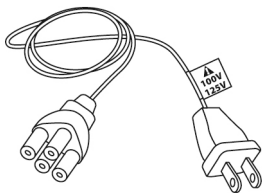


### Wewnętrzne:

\* zasilacz znajdujący się bezpośrednio w podstawie kierownicy i wyposażony w złącze typu A

\* kabel zasilania do sieci 100–125 V

= przeznaczony wyłącznie do zasilania o napięciu 100–125 V



*Kabla przeznaczonego do napięcia 100–125 V  
nie wolno podłączać do gniazda o napięciu 220–240 V!!!  
Nie wolno podłączać tego kabla do adaptera zasilania!!!*



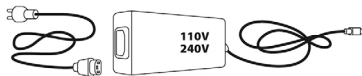
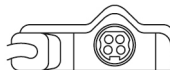
**WAŻNE: jeśli nie wiesz, jakie napięcie jest stosowane w miejscu, w którym korzystasz z kierownicy, skontaktuj się z miejscowym dostawcą energii elektrycznej.**

### Zewnętrzne:

\* zasilacz zewnętrzny ze złączem typu B

\* kabel zasilania

= przeznaczony do wszystkich napięć w zakresie 110–240 V



## OSTRZEŻENIA

Zanim rozpoczniesz korzystanie z urządzenia, szczegółowo zapoznaj się z niniejszą instrukcją, a następnie zachowaj ją do wglądu.



### **Ostrzeżenie — ryzyko porażenia prądem elektrycznym**

- \* Przechowuj urządzenie w suchym miejscu i nie wystawiaj go na działanie kurzu ani światła słonecznego.
- \* Nie skręcaj ani nie naciągaj złączy ani kabli.
- \* Nie wylewaj cieczy na urządzenie ani jego złącza.
- \* Nie zwieraj urządzenia.
- \* Nie demontuj urządzenia, nie wrzucaj go do ognia ani nie narażaj na działanie wysokich temperatur.
- \* Nie używaj kabla zasilania innego niż dostarczony z kierownicą.
- \* Nie używaj kabla zasilania, jeśli sam kabel lub jego złącza są uszkodzone, pęknięte lub przerwane.
- \* Upewnij się, że kabel zasilania jest właściwie podłączony do gniazda elektrycznego i do złącza znajdującego się z tyłu podstawy kierownicy.
- \* Nie otwieraj kierownicy: w jej wnętrzu nie ma części przeznaczonych do naprawiania przez użytkownika. Naprawy może wykonywać wyłącznie producent, jego autoryzowany przedstawiciel lub wykwalifikowany serwisant.
- \* Korzystaj wyłącznie z elementów montażowych/akcesoriów określonych przez producenta.
- \* W przypadku nietypowego działania kierownicy (na przykład gdy wydobywają się z niej dziwne dźwięki, ciepło lub zapachy) natychmiast przestań jej używać, wyciągnij kabel zasilania z gniazda elektrycznego i odłącz pozostałe kable.
- \* Jeśli nie zamierzasz korzystać z kierownicy przez dłuższy czas, wyciągnij jej kabel zasilania z gniazda elektrycznego.



### **Odpowietzniki**

Dbaj, aby żaden z odpowietzników w podstawie kierownicy nie był zasłonięty. W celu zapewnienia optymalnej wentylacji przestrzegaj następujących zaleceń:

- \* Ustaw podstawę kierownicy w odległości co najmniej 10 cm od wszelkich ścian.
- \* Nie umieszczaj podstawy w ciasnych miejscach.
- \* Nie przykrywaj podstawy.
- \* Nie dopuszczaj do gromadzenia się kurzu w odpowietznikach.



**Ze względów bezpieczeństwa zestawu pedałów nie wolno używać w bosych stopach ani w samych skarpetkach.  
FIRMA THRUSTMASTER® NIE PONOSI ŻADNEJ ODPOWIEDZIALNOŚCI  
ZA EWENTUALNE OBRAŻENIA CIAŁA WYNIKŁE Z UŻYWANIA  
ZESTAWU PEDAŁÓW BEZ OBUWIA.**



### **Ostrzeżenie — ryzyko obrażeń ciała spowodowanych siłowym sprzężeniem zwrotnym i powtarzającymi się ruchami**

Granie przy użyciu kierownicy z siłowym sprzężeniem zwrotnym (Force Feedback) może doprowadzić do bólu mięśni lub stawów. W celu uniknięcia problemów:

- \* Unikaj grania przez długi czas.
- \* Po każdej godzinie gry rób 10–15 minut przerwy.
- \* Jeśli odczuwasz zmęczenie lub ból dłoni, nadgarstków, ramion, stóp albo nóg, przerwij grę, a przed jej ponownym rozpoczęciem odpocznij kilka godzin.



**Ostrzeżenie — ryzyko obrażeń ciała spowodowanych siłowym sprzężeniem zwrotnym i powtarzającymi się ruchami (ciąg dalszy)**

- \* Jeśli po ponownym rozpoczęciu gry opisane powyżej objawy lub ból powrócą, przerwij grę i skonsultuj się z lekarzem.
- \* Trzymaj kierownicę z dala od dzieci.
- \* Podczas gry zawsze trzymaj obie dłonie we właściwym położeniu na kierownicy bez jej całkowitego puszczenia.
- \* Podczas gry nigdy nie kładź dłoni ani palców pod pedałami ani w pobliżu zestawu pedałów.
- \* Podczas kalibracji i gry nigdy nie przekładaj dłoni ani ramion przez otwory w kierownicy.
- \* Sprawdź, czy podstawa kierownicy jest właściwie zamocowana zgodnie ze wskazówkami podanymi w niniejszej instrukcji.



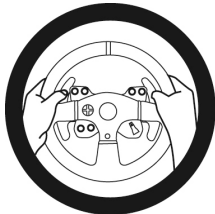
Urządzenie tylko dla użytkowników powyżej 16 roku życia

**CIĘŻKIE URZĄDZENIE**



Uważaj, aby nie upuścić urządzenia na siebie ani inną osobę!

**ZAWSZE**



**NIGDY**



**NIGDY**





### **Ostrzeżenie — ryzyko przytrzaśnięcia przez pedały podczas gry**

- \* Trzymaj zestaw pedałów z dala od dzieci.
- \* Podczas gry nigdy nie kładź palców na bokach pedałów ani nie zbliżaj ich do tego miejsca.
- \* Podczas gry nigdy nie kładź palców na tylnej powierzchni podstawy pedałów ani nie zbliżaj ich do tego miejsca.
- \* Podczas gry nigdy nie kładź palców na przedniej powierzchni podstawy pedałów ani nie zbliżaj ich do tego miejsca.

**NIGDY**



**NIGDY**



**NIGDY**



### **Ostrzeżenie — ryzyko przytrzaśnięcia przez pedały poza gra**

- \* Przechowuj zestaw pedałów w bezpiecznym miejscu i trzymaj go z dala od dzieci.

## **AKTUALIZACJA OPROGRAMOWANIA SPRZĘTOWEGO KIEROWNICY**

Oprogramowanie zawarte w podstawie kierownicy można zaktualizować do nowszej wersji, zawierającej rozszerzenia różnych funkcji.

Aby wyświetlić wersję oprogramowania sprzętowego, z której obecnie korzysta kierownica, i w razie potrzeby ją zaktualizować, na komputerze wejdź na stronę <http://support.thrustmaster.com>. Kliknij **Racing Wheels / T300 RS**, wybierz **Firmware**, a następnie postępuj zgodnie z instrukcją pobierania i instalacji.

#### **Ważna uwaga:**

**W przypadku komputera PC przełącznik suwakowy USB (5) znajdujący się w podstawie kierownicy musi być zawsze ustawiony w położeniu PS3™.**

## ZAKŁADANIE KIEROWNICY NA PODSTAWĘ

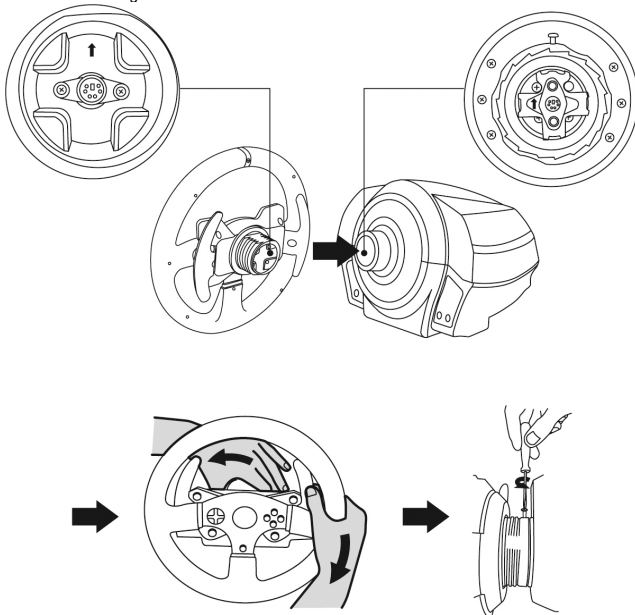
Wyrównaj położenie złączy przy użyciu strzałek:

**Złącze podstawy (1):** strzałka skierowana w górę

**Złącze kierownicy (2):** strzałka skierowana w górę

Po prawidłowym ustawieniu złączy obróć pierścień mechanizmu Thrustmaster Quick Release (12) przeciwnie do ruchu wskazówek zegara, jednocześnie przytrzymując kierownicę (2).

Następnie maksymalnie dokręć pierścień. W tym celu przytrzymaj pierścień i obracaj kierownicę zgodnie z ruchem wskazówek zegara.



Po zamontowaniu kierownicy obróć ją o 180° (gdy staniesz przodem do kierownicy, logo GT powinno być zwrócone dołem do góry), aby uzyskać dostęp do śruby mocującej znajdującej się na pierścieniu mechanizmu Thrustmaster Quick Release (12). Przy użyciu dużego śrubokręta krzyżakowego dokręć śrubkę mocującą (bez używania nadmiernej siły), obracając ją zgodnie z ruchem wskazówek zegara.



Gdy korzystasz ze śrubokręta krzyżakowego, **NIE** używaj nadmiernej siły podczas dokręcania śruby mocującej!

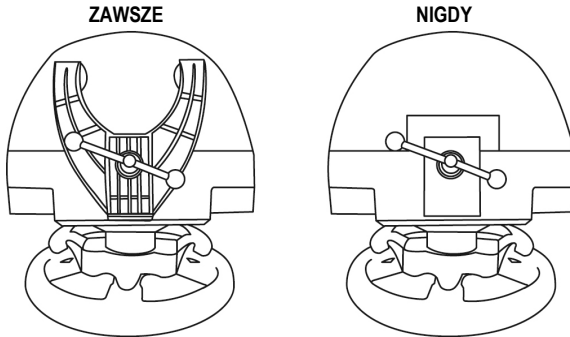
Gdy tylko poczujesz opór, przerwij dokręcanie.



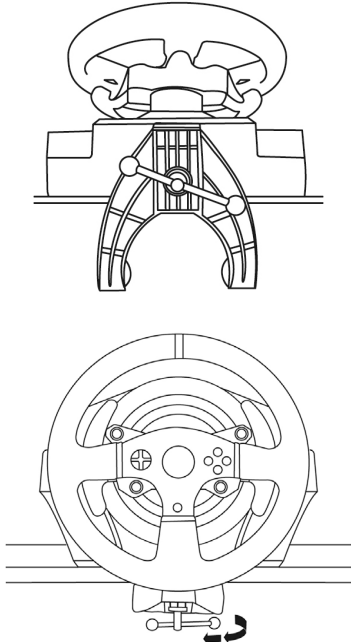
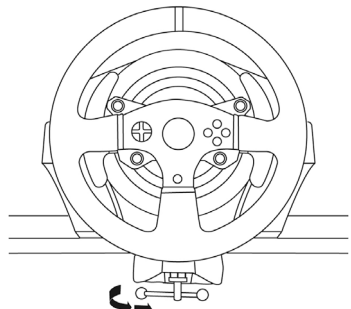
## MOCOWANIE KIEROWNICY

### Mocowanie kierownicy do stołu lub biurka

1. Połóż kierownicę na stole lub innej poziomej, płaskiej i stabilnej powierzchni.
2. Włóż śrubę mocującą (11) w element montażowy (10), a następnie zamocuj urządzenie, wkręcając śrubę przeciwnie do ruchu wskazówek zegara w duży gwintowany otwór (9) znajdujący się pod kierownicą aż do solidnego i stabilnego zamocowania kierownicy.



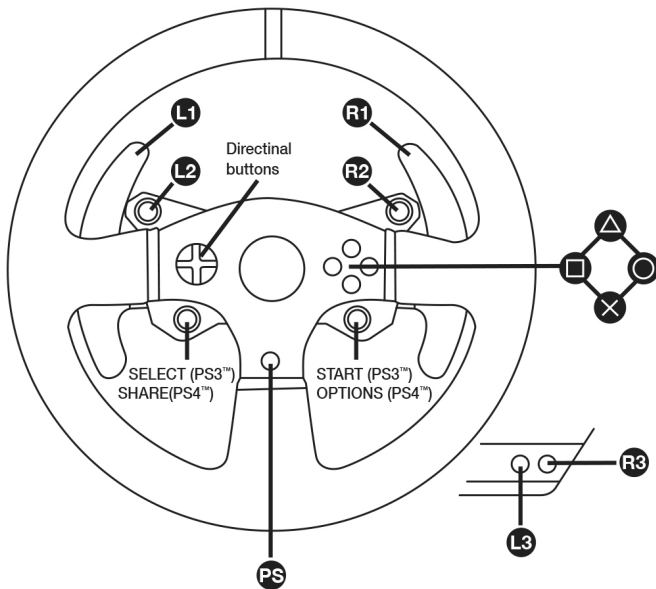
**OSTRZEŻENIE: nie wolno wkręcać samej śruby bez elementu montażowego!  
(Może to spowodować uszkodzenie kierownicy).**

MOCOWANIE/ZDEJMOWANIE	KIERUNEK
<p><b><u>Dokręcanie:</u></b></p> <p><b><i>Obróć śrubę przeciwnie do ruchu wskazówek zegara</i></b></p>	
<p><b><u>Odkręcanie:</u></b></p> <p><b><i>Obróć śrubę zgodnie z ruchem wskazówek zegara</i></b></p>	

## Mocowanie podstawy kierownicy do kokpitu

1. Umieść podstawę kierownicy na półce kokpitu.
2. Wkręć dwie śruby M6 (do nabycia osobno) przez półkę kokpitu w dwa niewielkie gwintowane otwory znajdujące się pod kierownicą.  
*Ważne: Długość dwóch śrub M6 nie może przekraczać grubości półki powiększonej o 12 mm. Dłuższe śruby mogą spowodować uszkodzenie elementów wewnętrznych znajdujących się w podstawie kierownicy.*
3. W razie potrzeby zamocuj standardowy element montażowy, wkręcając śrubę mocującą w duży gwintowany otwór.

## MAPOWANIE NA KONSOLACH PLAYSTATION®3 I PLAYSTATION®4



## KONFIGUROWANIE KIEROWNICY POD KĄTEM KONSOLI PLAYSTATION®3 LUB PLAYSTATION®4

1. Podłącz zestaw pedałów do złącza (17) znajdującego się z tyłu podstawy kierownicy.
2. Podłącz kabel zasilania do złącza (14) znajdującego się z tyłu podstawy kierownicy.
3. Podłącz kabel zasilania do gniazda elektrycznego o prawidłowym napięciu.



**Więcej informacji na ten temat można znaleźć w sekcji **PODŁĄCZANIE KIEROWNICY DO GNIAZDA ELEKTRYCZNEGO** na 3 stronie niniejszej instrukcji.**

4. Ustaw wybierak USB (5) znajdujący się w podstawie kierownicy w położeniu PS3™ lub PS4™, w zależności od używanej konsoli lub gry.
5. Podłącz złącze USB kierownicy (15) do jednego z portów USB konsoli.
6. Po włączeniu zasilania konsoli nastąpi automatyczna kalibracja kierownicy.
7. Na konsoli PlayStation®4 (gdzie wybierak USB znajduje się w położeniu PS4™): naciśnij przycisk PS kierownicy (8) i zaloguj się w swoim profilu gracza Sony Entertainment Network, aby móc korzystać z kierownicy.

**Teraz możesz zacząć grać!**

### Ważne uwagi:

- Zanim kabel USB kierownicy zostanie podłączony do konsoli, wybierak USB (5) znajdujący się w podstawie kierownicy należy zawsze ustawić we właściwym położeniu (PS3™ lub PS4™). Chcąc zmienić położenie wybieraka, odłącz kabel USB od konsoli, następnie zmień położenie wybieraka, a następnie ponownie podłącz kabel USB do konsoli.
- W przypadku konsoli PlayStation®3 wybierak USB (5) musi być zawsze ustawiony w położeniu PS3™:
  - \* W większości gier kierownica jest rozpoznawana jako model T500 RS.
  - \* Kierownica działa w zgodnych grach i w menu konsoli.
  - \* W kierownicy działa funkcja „PS”.
- W przypadku konsoli PlayStation®4, jeśli wybierak USB (5) znajduje się w położeniu PS3™:
  - \* W większości gier kierownica jest rozpoznawana jako model T500 RS.
  - \* Kierownica działa w zgodnych grach, ale nie w menu konsoli.
  - \* W kierownicy nie działają funkcje „SHARE” i „PS”.
- W przypadku konsoli PlayStation®4, jeśli wybierak USB (5) znajduje się w położeniu PS4™:
  - \* Aby móc korzystać z kierownicy, naciśnij znajdujący się na niej przycisk PS (8).
  - \* W większości gier kierownica jest rozpoznawana jako model T300 RS.
  - \* Kierownica działa w zgodnych grach i w menu konsoli.
  - \* W kierownicy działają funkcje „SHARE” i „PS”.
- *Lista gier na konsole PlayStation®3 i PlayStation®4 zgodnych z kierownicą T300 RS (wraz z położeniem wybieraka USB (5) wymaganych w poszczególnych grach) jest dostępna na stronie:*

<http://support.thrustmaster.com>

(kliknij Racing Wheels / T300 RS / Games settings).

*Lista jest regularnie aktualizowana.*

## KONFIGUROWANIE KIEROWNICY POD KĄTEM KOMPUTERA PC\*

\*Zgodność z komputerem PC nie jest gwarantowana przez firmę Sony Interactive Entertainment Europe.

Więcej informacji na stronie <http://support.thrustmaster.com>.

### AUTOMATYCZNA KALIBRACJA KIEROWNICY I ZESTAWU PEDAŁÓW

Kierownica kalibruje się automatycznie po jej podłączeniu do gniazda elektrycznego oraz podłączeniu złącza USB kierownicy do konsoli.

Podczas tej operacji kierownica obraca się szybko w lewo i w prawo (łącznie o 1080 stopni), a następnie zatrzymuje się w położeniu środkowym.



#### **OSTRZEŻENIE:**

**Podczas automatycznej kalibracji nie wolno dotykać kierownicy!  
(Może to doprowadzić do błędów kalibracji i/lub obrażeń ciała).**

### AUTOMATYCZNA KALIBRACJA ZESTAWU PEDAŁÓW

Zestaw pedałów nie wolno podłączać do podstawy kierownicy (ani odłączać go od podstawy), gdy kierownica jest podłączona do konsoli ani w trakcie gry, ponieważ może to doprowadzić do błędów kalibracji.

Zestaw pedałów zawsze podłączaj przed podłączeniem kierownicy do konsoli.

Po zakończeniu kalibracji kierownicy i uruchomieniu gry pedały kalibrują się automatycznie po ich kilkukrotnym naciśnięciu.



#### **OSTRZEŻENIE:**

**Nie wolno naciskać pedałów podczas automatycznej kalibracji kierownicy ani w trakcie ładowania gry! (Może to doprowadzić do błędów kalibracji).**

**Jeśli kierownica i zestaw pedałów nie działają prawidłowo lub wydają się niewłaściwie skalibrowane:**

Wyłącz konsolę i całkowicie odłącz kierownicę. Następnie podłącz ponownie wszystkie kable (w tym kabel zasilania i zestaw pedałów) oraz uruchom ponownie konsolę i grę.

### WEWNĘTRZNY CZUJNIK TEMPERATURY

Układ chłodzenia kierownicy składa się z radiatora i wentylatora.

- Wewnętrzną temperaturę kierownicy monitoruje termostat.
- Podczas korzystania z kierownicy w grze:
  - Wentylator uruchamia się, gdy kierownica osiągnie określoną temperaturę (po kilku minutach gry, w zależności od natężenia efektów siłowego sprzężenia zwrotnego).
  - Jeśli kierownica osiągnie znacznie wyższą temperaturę, natężenie efektów siłowego sprzężenia zwrotnego automatycznie zmniejsza się (ma to na celu ochronę silnika). Natężenie tych efektów automatycznie zwiększa się z chwilą nieznacznego spadku temperatury.
- Po zakończeniu gry: ze względu na bezwładność ciepłą silnika wentylator działa nadal, aż temperatura spadnie poniżej poziomu, który spowodował uruchomienie wentylatora. Kierownica została tak zaprojektowana z myślą o ułatwieniu chłodzenia i zapewnieniu ochrony silnika (może to potrwać od 5 do 45 minut, w zależności od temperatury osiągniętej podczas korzystania z kierownicy w grze).

## PRZYCISK I KONTROLKA MODE (6)

### Przycisk MODE do zestawu pedałów

Kierownica T300 jest zgodna z zestawami pedałów Thrustmaster zawierającymi 3 pedały. Zestawy te umożliwiają elektroniczną zmianę pedałów przyspieszenia i sprzęgła.

W tym celu należy nacisnąć przycisk MODE (6) i przytrzymać go przez 2 sekundy.

Informacja o tym, czy pedały zostały zamienione miejscami, jest przechowywana w wewnętrznej pamięci kierownicy.

PEDAŁY GAZU I SPRZĘGŁA	Kolor kontrolki MODE (6)
NORMALNE	CZERWONY
ZAMIENIONE	ZIELONY

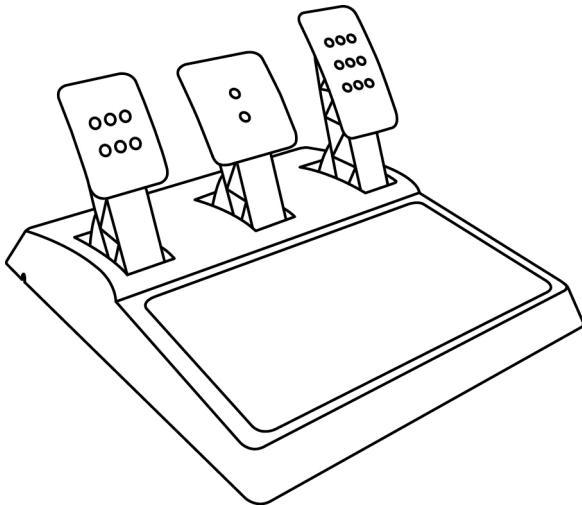
### Inne wskazówki dotyczące przycisku MODE

Więcej informacji na temat przycisku i kontrolki MODE znajdziesz na stronie <http://support.thrustmaster.com>. Kliknij **Racing Wheels / T300 RS**, a następnie wybierz **Manual** lub **FAQ**.

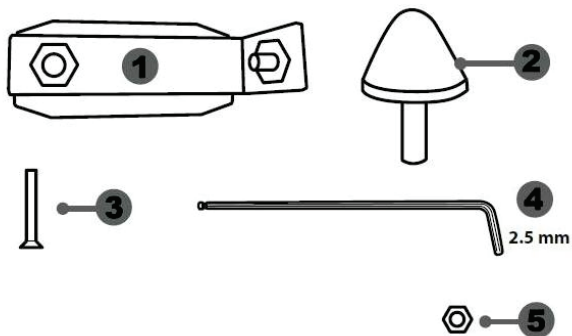
## PLIKI POMOCY I CZĘSTO ZADAWANE PYTANIA (NIEZAMIESZCZONE W NINIEJSZEJ INSTRUKCJI)

Wejdz na stronę <http://support.thrustmaster.com>. Kliknij **Racing Wheels / T300 RS**, a następnie wybierz **Manual** lub **FAQ**.

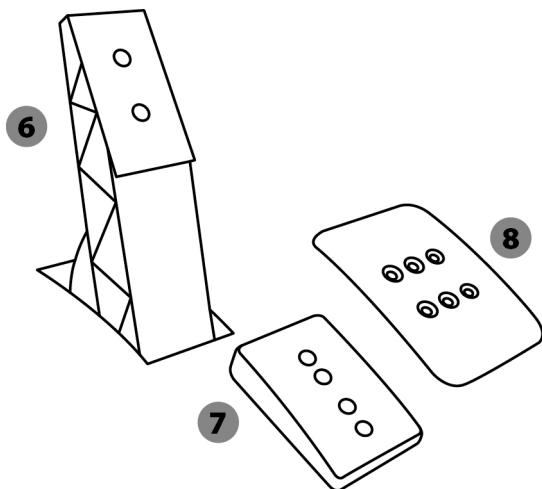
# ZESTAW PEDAŁÓW **T3PA – GT EDITION**



## ELEMENTY



- 1 Metalowa podwórka ogranicznika stożkowego  
(domyślnie niezainstalowana)
- 2 Ogranicznik stożkowy
- 3 Śrubka mocująca do metalowej podwórki
- 4 Klucz imbusowy 2,5 mm (w komplecie)
- 5 Nakrętka do regulacji położenia ogranicznika stożkowego



- 6 Ramię pedału
- 7 Plastikowa podwórka stopki
- 8 Metalowa stopka pedału



## OSTRZEŻENIE

Zanim rozpoczniesz korzystanie z urządzenia, szczególnie zapoznaj z niniejszą instrukcją, a następnie zachowaj ją do wglądu.



Ze względów bezpieczeństwa zestawu pedałów nie wolno używać w bosych stopach ani samych skarpetach.

FIRMA THRUSTMASTER® NIE PONOSI ŻADNEJ ODPOWIEDZIALNOŚCI ZA EWENTUALNE OBRAŻENIA CIAŁA WYNIKŁE Z UŻYWANIA ZESTAWU PEDAŁÓW BEZ OBUWIA.



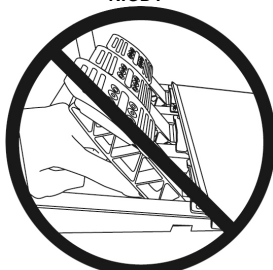
**Ostrzeżenie — ryzyko przytrzaśnięcia przez pedały podczas gry**

- \* Trzymaj zestaw pedałów z dala od dzieci.
- \* Podczas gry nigdy nie zbliżaj palców ani kciuków do boków pedałów.
- \* Podczas gry nigdy nie zbliżaj palców ani kciuków do tylnej powierzchni pedałów.
- \* Podczas gry nigdy nie zbliżaj palców ani kciuków do przedniej powierzchni pedałów.

NIGDY



NIGDY



NIGDY



## AUTOMATYCZNA KALIBRACJA PEDAŁÓW



**WAŻNE:**

- Zestawu pedałów nie wolno podłączać ani odłączać od podstawy kierownicy, gdy kierownica jest podłączona do systemu PS3™ lub PS4™ albo w trakcie gry. Pozwala to uniknąć problemów z kalibracją.
- = Zestaw pedałów zawsze podłączaj do kierownicy przed jej podłączeniem do systemu PS3™ lub PS4™.
- Po zakończeniu automatycznej kalibracji kierownicy i uruchomieniu gry pedały kalibrują się automatycznie po ich kilkukrotnym naciśnięciu.
- Aby uniknąć problemów z kalibracją, nie naciskaj pedałów podczas automatycznej kalibracji kierownicy lub uruchamiania gry.
- Jeśli pedały nie działają prawidłowo lub wydają się niewłaściwie skalibrowane, wyłącz konsolę, całkowicie odłącz kierownicę, a następnie ponownie podłącz wszystkie kable (w tym kabel zasilania i kabel zestawu pedałów), ponownie włącz zasilanie konsoli i ponownie uruchom grę.

## MOCOWANIE ZESTAWU PEDAŁÓW DO KOKPITU

- Zamocuj zestaw pedałów przy użyciu niewielkich gwintowanych otworów znajdujących się pod spodem zestawu.
- Wkręć dwie śruby M6 (do nabycia osobno) w płytę podporową pedałów w kokpicie oraz w dwa niewielkie gwintowane otwory znajdujące się pod spodem zestawu pedałów.

**Ważne:** długość śrub M6 nie może przekraczać grubości płyty podporowej w kokpicie powiększonej o 10 mm. Dłuższe śruby mogą uszkodzić elementy wewnętrzne zestawu pedałów.

ENGLISH

FRANÇAIS

DEUTSCH

NETERLANDS

ITALIANO

ESPAÑOL

PORTUGUÊS

РУССКИЙ

ΕΛΛΗΝΙΚΑ

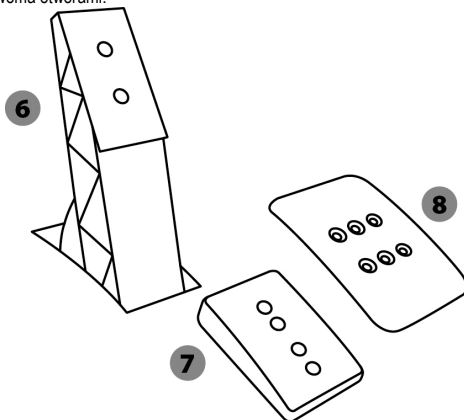
TÜRKÇE

POLSKI

## REGULACJA ZESTAWU PEDAŁÓW

Każdy z trzech pedałów zawiera:

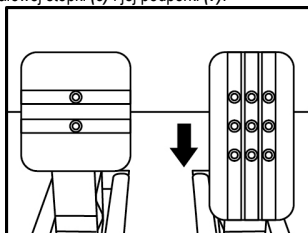
- metalową stopkę (8) z kilkoma otworami (dziewięcioma w pedale przyspieszenia, dwoma w pedale hamulca i sześcioma w pedale sprzęgła),
- plastikową podpórkę stopki (7) (umieszczaną między stopką a ramieniem) z czterema otworami,
- ramię (6) z dwoma otworami.



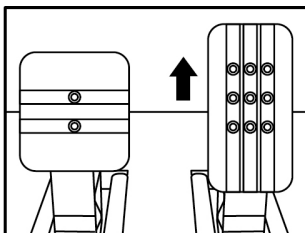
**UWAGA:** Aby uniknąć problemów z kalibracją, przed jakąkolwiek regulacją zestawu pedałów zawsze odłącz kabel USB kierownicy od systemu PS3™ lub PS4™.

### Regulacja WYSOKOŚCI pedału przyspieszenia

- Za pomocą dostarczonego klucza imbusowego 2,5 mm (4) wykręć dwie śruby przytrzymujące metalową stopkę (8) i jej podpórkę (7).
- Wybierz preferowaną wysokość, a następnie wóź i wkręć śruby w celu solidnego zamocowania metalowej stopki (8) i jej podpórki (7).



Położenie niskie (domyślne)

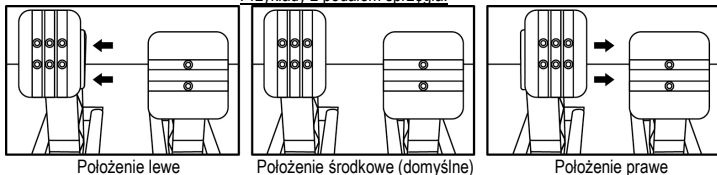


Położenie wysokie

## Regulacja ODLEĞŁOŚCI

- Za pomocą dostarczonego klucza imbusowego 2,5 mm (4) wykręć dwie śruby przytrzymujące metalową stopkę (8) i jej podpórkę (7).
- Wybierz preferowane położenie (lewe, środkowe lub prawe), a następnie włoż i wkręć śruby w celu solidnego zamocowania metalowej stopki (8) i jej podpórki (7).

Przykłady z pedalem sprzęgła:



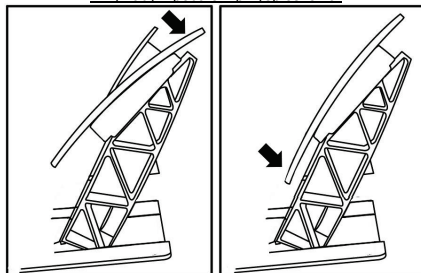
Liczba możliwych ustawień odstępów w poszczególnych pedalach:

- Trzy w pedale przyspieszenia
- Trzy w pedale sprzęgła

## Regulacja NACHYLENIA pedałów

- Za pomocą dostarczonego klucza imbusowego 2,5 mm (4) wykręć dwie śruby przytrzymujące metalową stopkę (8) i jej podpórkę (7).
- Obróć plastikową podpórkę stopki (7) o 180°, a następnie włoż i wkręć śruby w celu solidnego zamocowania metalowej stopki (8) i jej podpórki (7).

Przykłady z pedalem przyspieszenia:



Mniejsze nachylenie      Większe nachylenie (domyślne)

Liczba możliwych ustawień nachylenia poszczególnych pedałów:

- Dwa w pedale przyspieszenia
- Dwa w pedale hamulca
- Dwa w pedale sprzęgła

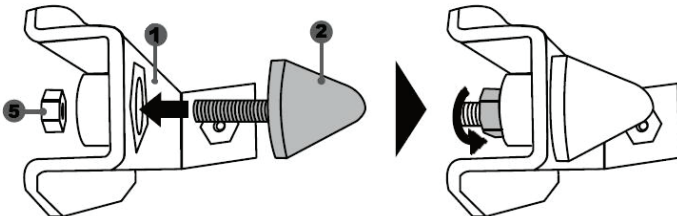
## Instalowanie ogranicznika stożkowego (modu „CONICAL RUBBER BRAKE”)

Ten element (tzw. „mod”) nie jest niezbędny i nie jest instalowany fabrycznie. Oznacza to, że pedał hamulca działa znakomicie nawet bez instalowania modu.

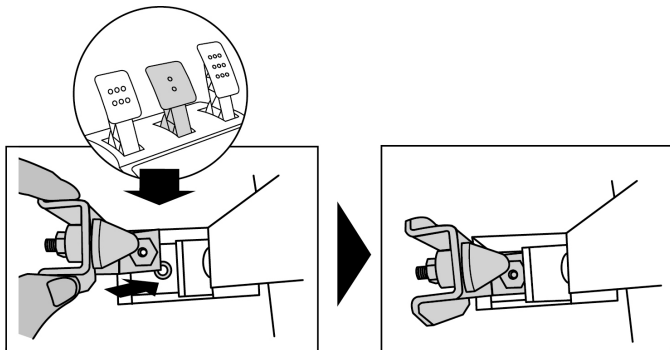
Dodatkowy mod powoduje inne odczucia i inny opór podczas hamowania.

Ewentualną decyzję o jego zainstalowaniu powinien podjąć użytkownik na podstawie własnych preferencji.

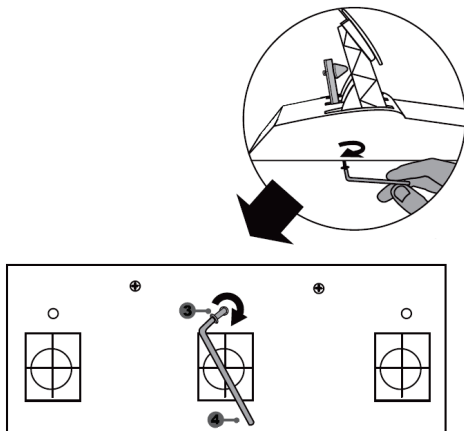
- Wkręć ogranicznik stożkowy (2) w jego metalową podpórkę (1).
- Nakręć nakrętkę do regulacji położenia (5) u dołu (na gwint ogranicznika stożkowego).



- Umieść gotowy element z tyłu ramienia pedału hamulca.



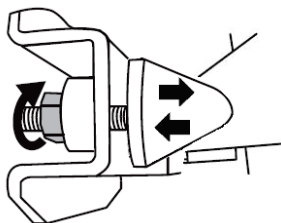
– Za pomocą dostarczonego klucza imbusowego 2,5 mm (4) zamocuj element, wkręcając śrubkę mocującą (3) w niewielki gwintowany otwór znajdujący się w środkowej części spodniej powierzchni zestawu pedałów.



**Mod „CONICAL RUBBER BRAKE” został zainstalowany!**

### Regulacja ZAKRESU ruchu i SIŁY oporu pedału hamulca

Przez nieznaczne odkręcenie nakrętki (5) można dodatkowo zwiększyć opór pedału hamulca, przesuwając ogranicznik stożkowy (2) bliżej tylnej powierzchni ramienia pedału (w razie potrzeby użyj klucza 14 mm lub kombinerek w celu dokręcenia nakrętki i zachowania wybranego położenia). Im bliżej tylnej powierzchni ramienia pedału znajduje się ogranicznik, tym większa jest siła oporu.



**Uwaga:** jeśli ogranicznik stożkowy znajduje się bardzo blisko tylnej powierzchni ramienia pedału hamulca, osiągnięcie maksymalnej wartości kalibracji może być utrudnione. W takim przypadku:

\* Powoli bardzo mocno naciśnij na pedał hamulca, tak aby osiągnąć wartość maksymalną (w razie potrzeby stań na pedale przez bardzo krótka chwile — wystarczy sekunda), a następnie puść pedał, lub

\* Odsuń nieco ogranicznik stożkowy od tylnej powierzchni ramienia pedału hamulca.

## INFORMACJE DOTYCZĄCE GWARANCJI DLA KLIENTA

Firma Guillemot Corporation S.A. z siedzibą pod adresem Place du Granier, B.P. 97143, 35571 Chantepie, Francja („Guillemot”) udziela klientowi obowiązującej na całym świecie gwarancji, że niniejszy produkt Thrustmaster będzie wolny od wad materiałowych i produkcyjnych przez okres gwarancji równy limitowi czasu, w którym klient może występować z roszczeniami z tytułu wad niniejszego produktu. W krajach Unii Europejskiej jest to okres dwóch (2) lat od dostarczenia produktu Thrustmaster. W innych krajach okres gwarancji jest równy limitowi czasu, w którym klient może występować z roszczeniami z tytułu wad produktu Thrustmaster zgodnie z przepisami obowiązującymi w kraju, w którym klient mieszkał w dniu zakupu produktu Thrustmaster. (Jeśli przepisy danego kraju nie przewidują występowania z takimi roszczeniami, okres gwarancji będzie wynosił jeden (1) rok od pierwotnej daty zakupu produktu Thrustmaster).

Jeśli w okresie gwarancji wystąpią objawy mogące świadczyć o wadzie produktu, należy niezwłocznie skontaktować się z działem pomocy technicznej, który wskaże dalszy sposób postępowania. W razie potwierdzenia wady produkt należy zwrócić w punkcie zakupu (lub innym miejscu wskazanym przez dział pomocy technicznej).

W ramach niniejszej gwarancji wadliwy produkt zostanie wymieniony lub przywrócony do stanu sprawności użytkowej, zgodnie z decyzją działu pomocy technicznej. Jeśli w okresie gwarancji produkt Thrustmaster zostanie poddany czynnościom mającym na celu przywrócenie go do stanu użytkowego, dowolny okres co najmniej siedmiu (7) dni, podczas których produkt nie jest użytkowany, zostanie dodany do pozostałego okresu gwarancji (okres ten liczy się od dnia, w którym klient poprosi o interwencję, lub od dnia, w którym dany produkt zostanie udostępniony celem przywrócenia do stanu użytkowego, jeśli data udostępnienia celem przywrócenia do stanu użytkowego następuje po dacie prośby o interwencję). Jeśli zezwala na to obowiązujące prawo, całkowita odpowiedzialność firmy Guillemot i jej podmiotów zależnych (łącznie z odpowiedzialnością za szkody wtórne) ogranicza się do przywrócenia do stanu użytkowego lub wymiany produktu Thrustmaster. Jeśli zezwala na to obowiązujące prawo, firma Guillemot wyłącza wszelkie gwarancje pokupności i przydatności do określonego celu.

Niniejsza gwarancja nie obowiązuje: (1) w przypadku, gdy produkt został zmodyfikowany, otwarty, zmieniony albo uszkodzony na skutek nieodpowiedniego lub nadmiernego użytkowania, niedbałości, wypadku, normalnego zużycia lub z innego powodu niezwiązanego z wadą materiałową ani produkcyjną (w tym między innymi z powodu połączenia produktu Thrustmaster z nieodpowiednim elementem, w tym w szczególności z zasilaczem, akumulatorem, ładowarką lub jakimkolwiek innym elementem niedostarczonym przez firmę Guillemot dla tego produktu); (2) w przypadku używania produktu w sposób inny niż użytek domowy, w tym do celów zawodowych lub komercyjnych (na przykład w salonach gier albo do prowadzenia szkoleń lub zawodów); (3) w razie nieprzebrzegania instrukcji podanych przez dział pomocy technicznej; (4) w odniesieniu do oprogramowania, jako że oprogramowanie to jest objęte odrębną szczegółową gwarancją; (5) w odniesieniu do materiałów eksploatacyjnych (elementów wymienianych w czasie eksploatacji produktu, na przykład baterii jednorazowych, muszli/nakładek na uszy do zestawów słuchawkowych lub słuchawek); (6) w odniesieniu do akcesoriów (na przykład kabli, pokrowców, etui, torebek, pasków na rękę); (7) w przypadku sprzedania produktu na aukcji publicznej.

Niniejsza gwarancja nie podlega przeniesieniu.

Niniejsza gwarancja nie wpływa na prawa klienta wynikające z przepisów dotyczących sprzedaży dóbr konsumenckich w kraju klienta.

### **Dodatkowe postanowienia gwarancyjne**

W okresie gwarancji firma Guillemot zasadniczo nie udostępni żadnych części zamiennych, ponieważ jedynym podmiotem upoważnionym do otwarcia jakiegokolwiek produktu Thrustmaster i/lub przywrócenia go do stanu użytkowego jest dział pomocy technicznej (oprócz ewentualnych procedur przywracania produktu do stanu użytkowego, o wykonanie których dział pomocy technicznej może poprosić klienta przez przekazanie pisemnych instrukcji — np. ze względu na prostotę i jawność procesu przywracania do stanu użytkowego — oraz, w razie potrzeby, przez udostępnienie klientowi wymaganych części zamiennych).

Ze względu na realizowane cykle innowacji oraz konieczność zapewnienia ochrony swojej specjalistycznej wiedzy i tajemnic handlowych firma Guillemot zasadniczo nie udostępni powiadomień dotyczących przywracania do stanu użytkowego ani części zamiennych w przypadku produktów Thrustmaster, których okres gwarancji upłynął.

### **Odpowiedzialność**

Jeśli zezwala na to obowiązujące prawo, firma Guillemot Corporation S.A. („Guillemot”) i jej podmioty zależne nie ponoszą żadnej odpowiedzialności za szkody spowodowane przez co najmniej jeden z następujących czynników: (1) modyfikację lub otwarcie produktu bądź wprowadzenie w nim zmian; (2) nieprzestrzeganie instrukcji montażu; (3) nieodpowiednie lub nadmierne użytkowanie, niedbałość, wypadek (na przykład uderzenie); (4) normalne zużycie; (5) używanie produktu w sposób inny niż użytek domowy, w tym do celów zawodowych lub komercyjnych (na przykład w salonach gier albo do prowadzenia szkoleń lub zawodów). Jeśli zezwala na to obowiązujące prawo, firma Guillemot i jej podmioty zależne nie ponoszą żadnej odpowiedzialności za szkody niezwiązane z wadą materiałową lub produkcyjną produktu (w tym między innymi za szkody spowodowane bezpośrednio lub pośrednio przez jakiegokolwiek oprogramowanie lub na skutek połączenia produktu Thrustmaster z nieodpowiednim elementem, w tym w szczególności z zasilaczem, akumulatorem, ładowarką lub jakimkolwiek innym elementem niedostarczonym przez firmę Guillemot dla tego produktu).

**THRUSTMASTER®**

**WSPARCIE TECHNICZNE**

<http://support.thrustmaster.com>





## PRAWA AUTORSKIE

© 2017 Guillemot Corporation S.A. Wszelkie prawa zastrzeżone. Thrustmaster® jest zastrzeżonym znakiem towarowym firmy Guillemot Corporation S.A.

Produkt licencjonowany do sprzedaży na terenie Europy, Afryki, Bliskiego Wschodu, Rosji, Indii i Oceanii. Do użytku wyłącznie z systemami PlayStation®3 i PlayStation®4.

Wszystkie inne znaki towarowe stanowią własność odpowiednich podmiotów. Ilustracje nie są wiążące prawnie. Treść, wzory i dane techniczne mogą ulec zmianie bez powiadomienia i mogą różnić się w zależności od kraju. Wyprodukowano w Chinach.

Urządzenie wyprodukowane i dystrybuowane przez firmę Guillemot Corporation S.A.

## ZALECENIE DOTYCZĄCE OCHRONY ŚRODOWISKA



Na terenie Unii Europejskiej: gdy okres przydatności produktu do eksploatacji dobiegnie końca, produktu nie należy pozbywać się wraz ze zwykłymi odpadami z gospodarstwa domowego, ale oddać do recyklingu w punkcie zbiórki zużytego sprzętu elektrycznego i elektronicznego. Potwierdza to symbol znajdujący się na produkcie, w instrukcji obsługi lub na opakowaniu.

Zależnie od swoich właściwości materiały zawarte w produkcie mogą nadawać się do recyklingu. Dzięki recyklingowi i innym formom utylizacji zużytych urządzeń elektrycznych i elektronicznych klient może w znacznym stopniu przyczynić się do

ochrony środowiska. Aby uzyskać informacje o najbliższych punktach zbiórki odpadów, należy skontaktować z miejscowymi władzami.

We wszystkich innych krajach: należy przestrzegać miejscowych przepisów dotyczących recyklingu sprzętu elektrycznego i elektronicznego.

Niniejsze informacje należy zachować. Kolorystyka i elementy ozdobne mogą różnić się od przedstawionych.

Przed korzystaniem z produktu należy zdjąć z niego plastikowe elementy mocujące oraz naklejki.

[www.thrustmaster.com](http://www.thrustmaster.com)

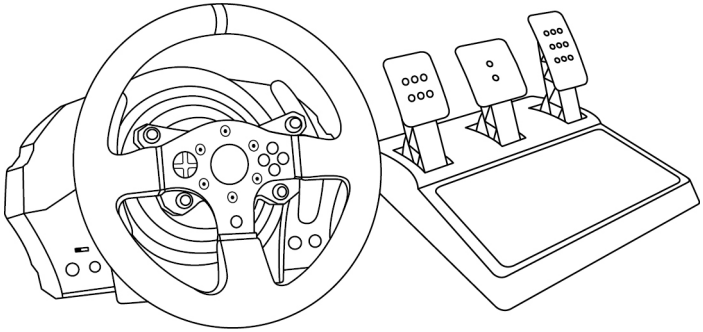
*\*Dotyczy wyłącznie UE i Turcji*



# T300RS

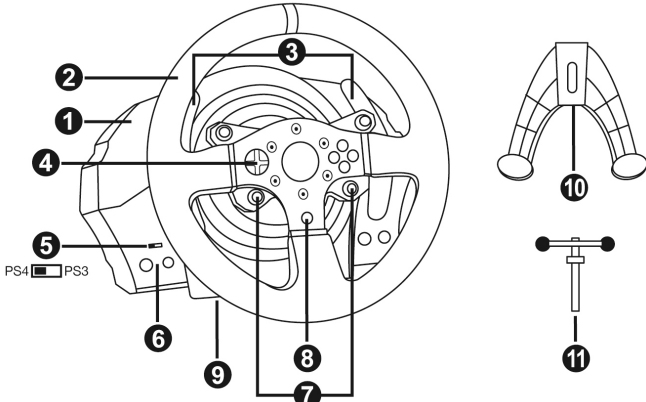
## GT Edition

دليل المستخدم



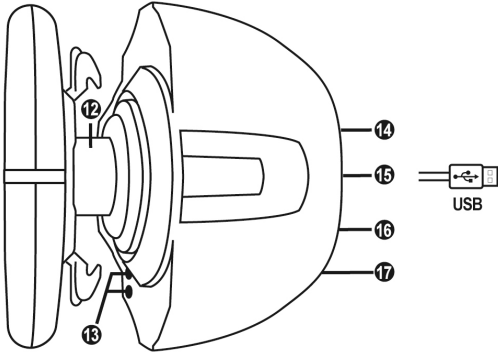
### تحذير:

للتأكد من أن عجلة السباق T300 تعمل بشكل صحيح مع ألعاب، قد يُطلب منك تثبيت التحديثات التلقائية للألعاب (تتوفر عند توصيل النظام في الألعاب بالإنترنت).



- 7 أزرار SELECT/START على PS3™ و  
PS4™ على SHARE/OPTIONS  
8 زر PS  
9 ثقب ملولب كبير (الأداة التركيب ويرغي الربط)  
10 أداة الربط  
11 برغي تثبيت معدني

- 1 قاعدة T300RS  
2 عجلة GT 3000  
3 دواسة نقل السرعة بشكل متبادل (Up & Down)  
4 لوحة D متعددة الاتجاهات  
5 مفتاح منزلق مضمن USB / PS3™ / PS4™  
6 زر MODE + مؤشر ضوئي أحمر/أخضر



- 15 كابل وموصل USB لعجلة السباق  
16 موصل صندوق التروس  
17 موصل مجموعة الدواسة

- 12 Thrustmaster Quick Release  
13 أزرار L3/R3  
14 موصل مصدر الطاقة الرئيسي (النوع (أ) أو (ب))  
(يختلف من بلد إلى آخر)

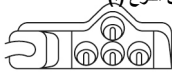
توصيل عجلة السباق بمقيس كهربائي: يرجى القراءة قبل المتابعة!  
يختلف مصدر طاقة عجلة السباق الخاصة بك طبقاً للبلد التي اشترت منها جهازك.  
يمكن أن يكون مصدر الطاقة الرئيسي:

داخلي، مع:

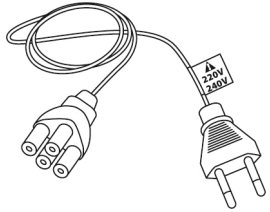
\* وحدة مصدر طاقة توجد مباشرة في قاعدة عجلة السباق، بموصل من النوع (أ)

كابل مصدر طاقة 240-220 فولت.

= متوافق مع مصدر كهربى 240-220 فولت.



**!** لا تقم بتوصيل كابل 240-220 فولت  
بمنفذ طاقة 130-100 فولت مطلقاً!!!  
لا تقم بتوصيل هذا الكابل بمهايئ طاقة لمصدر الطاقة الرئيسي  
مطلقاً!!!



داخلي، مع:

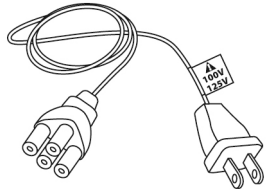
\* وحدة مصدر طاقة توجد مباشرة في قاعدة عجلة السباق، بموصل من النوع (أ)

\* كابل مصدر طاقة 125-100 فولت.

= متوافق مع مصدر كهربى 125-100 فولت.



**!** لا تقم بتوصيل كابل 125-100 فولت  
بمنفذ طاقة 240-220 فولت مطلقاً!!!  
لا تقم بتوصيل هذا الكابل بمهايئ طاقة لمصدر الطاقة الرئيسي!!!



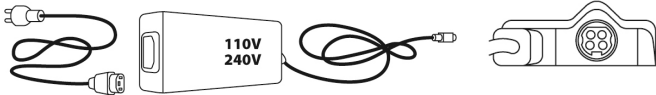
**هام:** إذا لم تكن تعلم الجهد المدعوم في المنطقة التي تستخدم عجلة السباق بها، فارجى الرجوع إلى الموفر المحلي للتيار الكهربى.

خارجي، مع:

\* وحدة مصدر طاقة خارجية، مع موصل من النوع (ب).

\* كابل مصدر طاقة رئيسية.

= متوافق مع كافة أنواع الجهد الكهربائي، من 110 إلى 240 فولت.



## تحذيرات

قبل استخدام هذا المنتج، يرجى قراءة هذا الدليل بعناية والاحتفاظ به للرجوع إليه فيما بعد.

### تحذير - صدمة كهربائية

- \* يتم تخزين المنتج في مكان جاف مع عدم تعريضه للأتربة أو أشعة الشمس.
- \* لا تقم بجذل الموصلات والكابلات أو سحبها.
- \* لا تقم بسحب أي سائل على المنتج أو موصلاته.
- \* لا تقم بعمل قصر في دائرة المنتج.
- \* لا تقم بلك المنتج، ولا تلقه في لهب ولا تعرضه لدرجات حرارة مرتفعة.
- \* لا تستخدم كابل مصدر طاقة غير المرفق مع عجلة السباق الخاصة بك.
- \* لا تستخدم كابل مصدر طاقة رئيسية في حالة تلف الكابل أو الموصلات أو شقه أو كسره.
- \* تأكد من أن كابل الطاقة الرئيسية موصل في مقيس الطاقة على النحو الصحيح، وأنه موصل على النحو الصحيح بالموصل الموجود في الجهة الخلفية من عجلة السباق.
- \* لا تفتح عجلة السباق. لا توجد أجزاء قابلة للاستبدال بواسطة المستخدم بالداخل. يجب تنفيذ أي إصلاحات عن طريق الشركة المصنعة أو ممثل معتمد أو فني مؤهل.
- \* لا تستخدم إلا أدوات التوصيل/الملحقات المحددة بواسطة الشركة المصنعة.
- \* إذا كانت عجلة القيادة لا تعمل بشكل صحيح (تصدر أصواتًا أو حرارة أو رائحة غير عادية)، فتوقف عن استخدامها على الفور، وقم بفصل كابل الطاقة من المنفذ وقم بفصل الكابلات الأخرى.
- \* إذا لم تكن ستستخدم عجلة القيادة لمدة طويلة، فقم بفصل مهايئ الطاقة الرئيسية من المنفذ الكهربائي.

### فتحات الهواء

- تأكد من عدم إعاقة أي من فتحات الهواء الموجودة على قاعدة عجلة القيادة. للحصول على تهوية مثلى، يرجى الالتزام بالنقاط الواردة أدناه:
- \* ضع القاعدة على مسافة لا تقل عن 10 سم من أي حائط.
  - \* لا تضع القاعدة في أي أماكن ضيقة.
  - \* لا تغطي القاعدة.
  - \* لا تسمح بتراكم الأتربة على فتحات التهوية.

لأسباب تتعلق بالسلامة، لا تستخدم مجموعة الدواسة بقدم عارية

أو أثناء ارتداء جوارب فقط.

لا تتحمل **THRUSTMASTER®** أي مسؤولية في حالة وقوع إصابات ناتجة عن استخدام مجموعة الدواسة بدون حذاء.

### تحذير - الإصابات الناتجة عن قوة رد الفعل والحركات المتكررة

قد يتسبب اللعب باستخدام رد فعل قوي لعجلة توجيه في حدوث ألم في العضلات أو المفاصل. لتجنب أي مشكلات:  
\* تجنب اللعب لفترات طويلة.

- \* ادخل في فترة راحة من 10 إلى 15 دقيقة بعد كل ساعة من اللعب.
- \* إذا شعرت بأي تعب أو ألم في اليدين أو المعصمين أو الذراعين أو القدم أو الرجلين، فتوقف عن اللعب واسترح بضع ساعات قبل بدء اللعب مرة أخرى.

## تحذير - الإصابات الناتجة عن قوة رد الفعل والحركات المتكررة (متابعة)

- \* إن استمرت الأعراض أو الألم المشار إليه أعلاه عند بدء اللعب مرة أخرى، فتوقف عن اللعب واستشر طبيبك.
- \* تحفظ بعيداً عن تناول أيدي الأطفال.
- \* أثناء اللعب، اترك كلتا يديك دائماً في موضع صحيح على عجلة القيادة دون تمريرها منها بشكل كامل.
- \* أثناء اللعب، لا تضع يديك أو أصابعك أسفل الدواسات أو في أي مكان بالقرب من مجموعة الدواسات.
- \* أثناء المعالجة واللعب، لا تمرر يدك أو ذراعك من خلال الفتحات الموجودة في عجلة السباق.
- \* تأكد من تأمين قاعدة عجلة السباق على نحو صحيح، حسب التعليمات الواردة في هذا الدليل.

منتج ثقيل الوزن



منتج يستخدم بواسطة مستخدمين لا يقل سنهم عن 16 عام



احرص على عدم إسقاط المنتج على نفسك أو على غيرك!

دائماً



مطلقاً



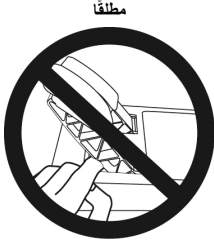
مطلقاً



**تحذير - خطر الضغط الشديد على مجموعة الدواسة عند اللعب**



- \* احتفظ بمجموعة الدواسة بعيدًا عن متناول الأطفال.
- \* عند اللعب، لا تضع أصابعك على جوانب الدواسات أو في أي مكان قريب منها.
- \* عند اللعب، لا تضع أصابعك على القاعدة الخلفية للدواسات أو في أي مكان قريب منها.
- \* عند اللعب، لا تضع أصابعك على القاعدة الأمامية للدواسات أو في أي مكان قريب منها.



\* قم بتخزين مجموعة الدواسة في مكان آمن، واحتفظ بها بعيدًا عن متناول الأطفال.

**ترقية البرنامج الثابت لعجلة السباق الخاصة بك**

يمكن ترقية البرنامج الثابت المضمن في قاعدة عجلة السباق الخاصة بك إلى إصدار أحدث يوفر تحسينات للمنتج.

لعرض إصدار البرنامج الثابت الموجود على عجلة السباق الخاصة بك حاليًا وتحديثه إذا لزم الأمر: على الكمبيوتر، تفضل بزيارة الموقع <http://support.thrustmaster.com>. انقر فوق **T300 < Racing Wheels**، ثم حدد **Firmware** واتبع التعليمات التي تصف إجراء التنزيل والتنصيب.

ملاحظة هامة:

على الكمبيوتر، يجب تعيين المفتاح USB المنزلق (5) الموجود على قاعدة عجلة السباق إلى الوضع PS3™ دانما.

## تثبيت عجلة سباق على قاعدتها

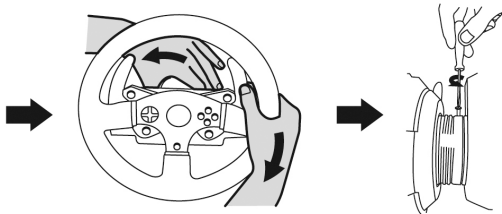
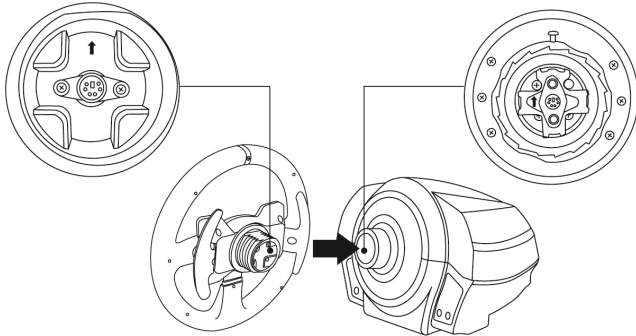
قم بمحاذاة مواقع الموصل باستخدام الأسهم:

موصل القاعدة (1): سهم يشير لأعلى

موصل عجلة السباق (2): سهم يشير لأعلى

بمجرد تحديد موضع الموصلات بنجاح، قم بتدوير حلقة الجهاز (12) Thrustmaster Quick Release عكس اتجاه عقارب الساعة، مع تثبيت عجلة السباق (2) في موضعها.

ثم قم بربط الحلقة إلى أقصى مدى ممكن: للقيام بذلك، قم بتثبيت الحلقة في موضعها و قم بتدوير عجلة السباق في اتجاه عقارب الساعة.



بمجرد تركيب عجلة السباق ، قم بتدويرها 180 درجة (عندما تكون في مواجهة العجلة، يجب أن ينقلب شعار GT رأسًا على عقب) للوصول إلى برغي التركيب الصغير الذي يوجد على حلقة الجهاز Thrustmaster Quick Release (12). استخدم مفك Phillips كبير لربط برغي التركيب الصغير (لا تستخدم قوة مفرطة)، ويكون الربط في اتجاه عقارب الساعة.



لا تستخدم قوة مفرطة عند ربط برغي التركيب الصغير

(باستخدام مفك Phillips)

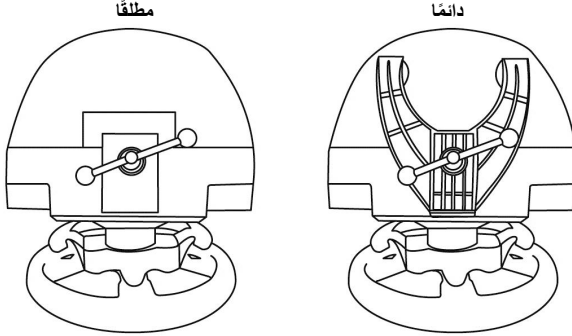
توقف عن تدوير البرغي بمجرد أن تشعر بشيء من المقاومة.



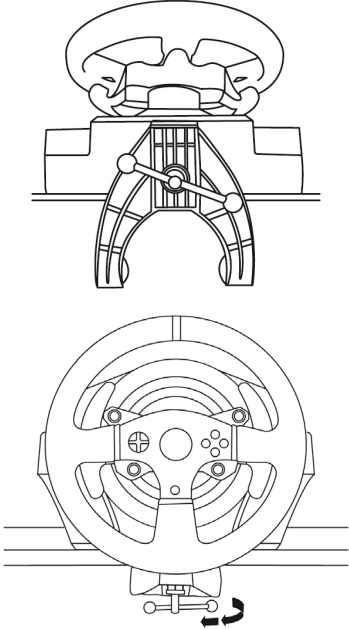
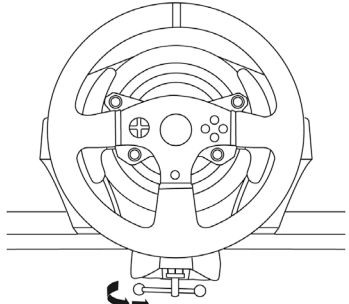
## تركيب عجلة السباق

### تركيب عجلة السباق على طاولة أو سطح مكتب

1. ضع عجلة السباق على طاولة أو أي سطح آخر أفقي ومستوي ومترن.
2. أدخل برغي التثبيت (11) في أداة الربط (10) ثم قم بإحكام الجهاز عن طريق تدوير البرغي في عكس اتجاه عقارب الساعة، بحيث يدخل في الثقب الكبير المولب (9) الموجود أسفل عجلة السباق، حتى تستقر العجلة تمامًا.



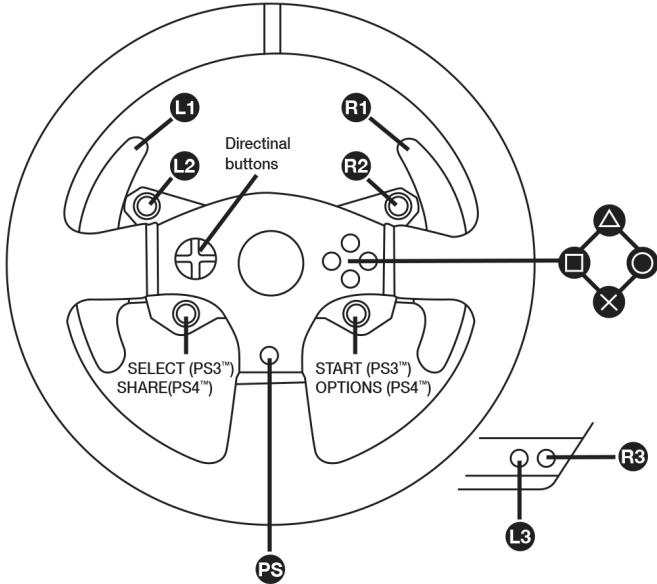
**تحذير:** لا تَقم مطلقًا بربط البرغي بمفرده، دون أداة الربط!  
(قد يؤدي ذلك إلى تلف عجلة القيادة).

الاتجاه	التركيب/ الإزالة
	<p><b>للربط</b></p> <p>تدوير البرغي عكس اتجاه عقارب الساعة</p>
	<p><b>للفك</b></p> <p>تدوير البرغي في اتجاه عقارب الساعة</p>

## تركيب قاعدة عجلة السباق في مقصورة

1. ضع قاعدة عجلة السباق على رف المقصورة.
2. أدخل برغيين M6 (غير مضمنين) من خلال رف المقصورة، ثم أدخلهم في سني اللولب الصغيرين الموجودين أسفل عجلة السباق  
هنا يجب ألا يتجاوز طول البرغيين M6 سمك الرف + 12 مم؛ حيث قد يؤدي استخدام براغي أطول إلى حدوث تلف في المكونات الداخلية الموجودة في قاعدة عجلة السباق.
3. إذا لزم الأمر، قم بربط أداة التركيب القياسية عن طريق إدخال برغي التثبيت في الثقب الكبير الملولب.

## تخطيط PlayStation®3 و PlayStation®4



## إعداد عجلة السباق الخاصة بك لـ PS3 أو PS4

1. قم بتوصيل مجموعة الدواسة بالموصل (17) الموجود خلف قاعدة عجلة السباق.
2. قم بتوصيل كابل مصدر الطاقة بالموصل (14) الموجود خلف قاعدة عجلة السباق.
3. قم بتوصيل كابل مصدر الطاقة بمنفذ رئيسي بمواصفات جهد مناسبة.  
**للوصول على مزيد من المعلومات، يرجى الرجوع إلى قسم توصيل عجلة السباق إلى منفذ كويري، في الصفحة 3 من هذا الدليل.**



4. اضبط مفتاح محدد USB (5) الموجود على قاعدة عجلة السباق على الوضع PS3™ أو PS4™، حسب وحدة التحكم أو اللعبة التي تستخدمها.
5. قم بتوصيل موصل USB الخاصة بعجلة السباق (15) بأحد منافذ USB لوحدة التحكم.
6. بمجرد تشغيل وحدة التحكم، سوف تقوم عجلة السباق بالمعايرة الذاتية تلقائيًا.
7. في PS4™ (عندما يكون مفتاح محدد USB مضبوطًا على الوضع PS4™): اضغط على زر PS في عجلة السباق (8) وقم بتسجيل الدخول إلى ملف تعريف اللاعب Sony Entertainment Network لتستطيع استخدام العجلة.

**انت الآن مستعد للعب!**

### ملاحظات هامة:

- يجب دائمًا ضبط مفتاح محدد USB (5) الموجود على قاعدة عجلة السباق على الموضع الصحيح (PS3™ أو PS4™) قبل توصيل كابل USB الخاص بالعجلة بوحدة التحكم. لتغيير وضع المحدد، افصل كابل USB من وحدة التحكم ثم غير وضع المفتاح قبل إعادة توصيل كابل USB بوحدة التحكم.
- في PS3™، يجب ضبط مفتاح محدد USB (5) دائمًا على وضع PS3™:
  - \* تُعرف العجلة في معظم الألعاب على أنها عجلة T500RS.
  - \* تعمل العجلة في الألعاب المتوافقة وفي قوائم وحدات التحكم.
  - \* تعمل الوظيفة "PS" على العجلة.
- في PS4™، باستخدام مفتاح محدد USB (5) في الوضع PS3™:
  - \* تُعرف العجلة في معظم الألعاب على أنها عجلة T500RS.
  - \* تقوم العجلة بوظائفها في الألعاب المتوافقة وليس في قوائم وحدات التحكم.
  - \* لا تعمل الوظائف "SHARE" و "PS" على العجلة.
- في PS4™، باستخدام مفتاح محدد USB (5) في الوضع PS4™:
  - \* لا تنس الضغط على زر PS على عجلة السباق (8) لتستطيع استخدام العجلة.
  - \* تُعرف العجلة في معظم الألعاب على أنها عجلة T300RS.
  - \* تعمل العجلة في الألعاب المتوافقة وفي قوائم وحدات التحكم.
  - \* تعمل الوظائف "SHARE" و "PS" على العجلة.

- تتوفر قائمة بالألعاب PS3™ و PS4™ المتوافقة مع T300RS (بالإضافة إلى الموضع المطلوب لمفتاح محدد USB (5) وفقًا للعبة الجاري تشغيلها) على:

<http://support.thrustmaster.com>

(انقر فوق (Games settings < T300 RS < Racing Wheels).

يتم تحديث هذه القائمة بانتظام

## إعداد عجلة السباق للمبيوتر \*

\* لم تتم المصادقة على التوافق مع الكمبيوتر الشخصي بواسطة Sony Interactive Entertainment Europe.

لمزيد من المعلومات، يرجى زيارة الموقع <http://support.thrustmaster.com>

## المعايرة التلقائية لعجلة السباق ومجموعة الدواسة

تعمل عجلة السباق على إجراء معايرة ذاتية تلقائيًا عند توصيل عجلة السباق بمصدر الطاقة الرئيسية وموصل USB لعجلة السباق بوحدة التحكم. خلال هذه المرحلة، ستدور عجلة السباق بسرعة باتجاه اليمين واليسار، وتغطية زاوية 1080 درجة قبل التوقف في المنتصف.



**تحذير:**

لا تقم مطلقًا بلمس عجلة السباق أثناء مرحلة المعايرة الذاتية!  
(قد يتسبب ذلك في إجراء معايرة غير صحيحة و/أو إصابات شخصية)

## المعايرة التلقائية لمجموعة الدواسة

لا تقم مطلقًا بتوصيل مجموعة الدواسة بقاعدة عجلة السباق (أو فصلها من القاعدة) عند توصيلها بوحدة التحكم أثناء اللعب (قد يؤدي ذلك إلى إجراء معايرة غير صحيحة).  
قم دائمًا بتوصيل مجموعة الدواسة قبل توصيل عجلة السباق بوحدة التحكم.  
بمجرد إتمام معايرة عجلة السباق وبدء اللعبة، يتم إجراء معايرة الدواسة تلقائيًا بعد الضغط عليها بضع مرات.



**تحذير:**

لا تضغط مطلقًا على الدواسة  
خلال مرحلة المعايرة الذاتية لعجلة السباق أو أثناء تحميل اللعبة!  
(قد يتسبب ذلك في إجراء معايرة غير صحيحة)

إذا لم تعمل عجلة السباق ومجموعة الدواسة بشكل صحيح، أو إذا بدا أن المعايرة غير صحيحة:  
قم بإيقاف تشغيل وحدة التحكم الخاصة بك، وقم بفصل عجلة السباق بالكامل. وقم بإعادة توصيل كافة الكابلات (باستخدام كابل مصدر الطاقة الرئيسية ومجموعة الدواسة)، ثم قم بإعادة تشغيل وحدة التحكم واللعبة الخاصة بك.

## مستشعر الحرارة الداخلية

- يتكون نظام تبريد عجلة السباق من مجرى حراري ومروحة.
- منظم حرارة لمراقبة درجة الحرارة الداخلية لعجلة السباق.
  - عند استخدام عجلة السباق في لعبة:
    - يتم تشغيل مروحة التبريد عندما تصل درجة حرارة عجلة السباق إلى درجة حرارة معينة. (= بعد بضع دقائق من اللعب، حسب تأثيرات قوة رد الفعل المستخدمة).
    - تقل تأثيرات قوة رد الفعل تلقائيًا بمجرد وصول عجلة السباق إلى درجة حرارة أعلى (لحماية المحرك). تقل قوة هذه التأثيرات بمجرد انخفاض درجة الحرارة قليلًا.
  - عند الانتهاء من اللعب: نظرًا لاستمرار ارتفاع درجة حرارة المحرك، تبقى مروحة التبريد قيد التشغيل حتى تنخفض درجة الحرارة لأقل من مستوى تشغيل المروحة. تم تصميم العجلة المروحة - تم تصميم العجلة المروحة - لحماية المحرك. (= قد يستغرق ذلك من 5 دقائق إلى 45 دقيقة، حسب درجة الحرارة التي وصل إليها المحرك أثناء استخدام العجلة في لعبة)

## زر MODE ومصباح المؤشر (6)

### زر MODE لمجموعة الدواساة

كما أن عجلة سباق T300 متوافقة مع مجموعة دواساة Thrustmaster التي توفر 3 دواسات ؛ حيث يمكنك ذلك من التبديل الإلكتروني لدواساة السرعة والقابض. للقيام بذلك، ما عليك إلا الضغط على الزر (6) MODE لمدة ثلاثين. تعمل الذاكرة الداخلية لعجلة السباق على تخزين ما إذا كان يتم التبديل بين الدواسات أم لا.

لون مصباح مؤشر MODE (6)	دواساتي السرعة والقابض
أحمر	عادي
أخضر	إمكانية التبديل

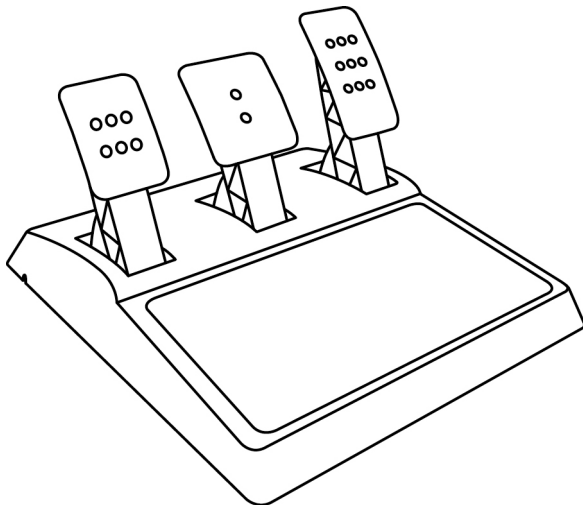
### تلميحات أخرى حول الزر MODE

لمعرفة المزيد حول زر MODE ومصباح المؤشر، يرجى الانتقال إلى <http://support.thrustmaster.com>. انقر فوق **Racing Wheels < T300 RS**، ثم حدد **Manual** أو **FAQ**.

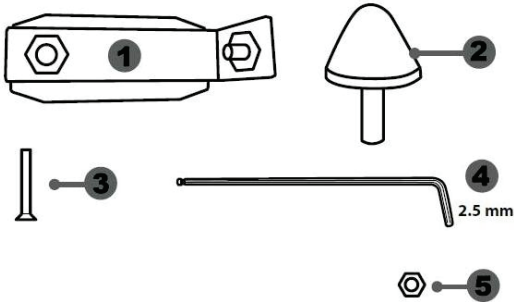
### ملفات التعليمات والأسئلة المتداولة (لم يتم تضمينها في هذا الدليل)

الرجاء زيارة الموقع <http://support.thrustmaster.com>. انقر فوق **Racing Wheels < T300 RS**، ثم حدد **Manual** أو **FAQ**.

# T3PA – GT EDITION الدواسات

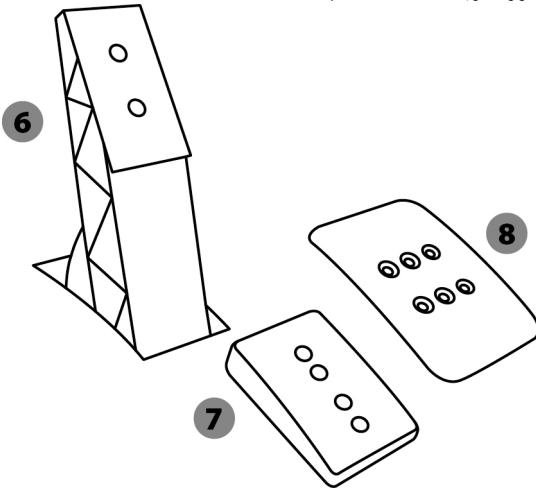


## الميزات التقنية



4 2.5 ملم مفتاح ألن (مضمن)  
5 صمولة ضبط المكان للمسمار ذو الرأس  
المخروطية

1 داعمة معدنية للمسمار ذو الرأس  
المخروطية  
(غير مثبت في الوضع الافتراضي)  
2 مسمار ذو رأس مخروطية  
3 مسمار قلاووظ لربط الداعمة المعدنية



8 رأس الدواصة المعدنية

6 ذراع الدواصة  
7 رأس داعمة بلاستيكية



## تحذير

قبل استخدام هذا المنتج، تأكد من قراءة هذه التعليمات بعناية وأحفظها لترجع إليها لاحقًا.



لأسباب تتعلق بالسلامة لا تستخدم مجموعة الدواسات حافي القدمين أو أثناء ارتداء الجوارب فقط في قدميك.

تخلي **THRUSTMASTER®** مسؤوليتها في حال حدوث إصابة ناجمة عن استخدام مجموعة الدواسات دون ارتداء الأحذية.



تحذير - خطر وضع اليد عند مجموعة الدواسات أثناء جلسات الألعاب

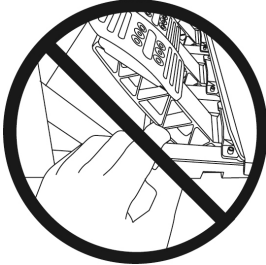
\* احفظ مجموعة الدواسات بعيدًا عن متناول الأطفال.

\* أثناء جلسات الألعاب، لا تضع أصابعك أو إبهامك على جوانب الدواسات أو بالقرب منها.

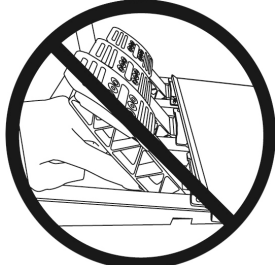
\* أثناء جلسات الألعاب، لا تضع أصابعك أو إبهامك على القاعدة الخلفية للدواسات أو بالقرب منها.

\* أثناء جلسات الألعاب، لا تضع أصابعك أو إبهامك على القاعدة الأمامية للدواسات أو بالقرب منها.

ممنوع...



ممنوع



ممنوع





- لا تقم أبدًا بتوصيل أو فصل مجموعة الدواسات من قاعدة العجلة عندما تكون العجلة مرتبطة بنظام PS3™ أو PS4™، أو أثناء ممارسة الألعاب، لتجنب مشاكل المعايرة.  
=قم دائمًا بتوصيل مجموعة الدواسات بالعجلة قبل توصيل العجلة بنظام PS3™ أو PS4™.
- بمجرد معايرة العجلة ذاتيًا وبدء اللعبة، تقوم الدواسات بالمعايرة الذاتية بعد الضغط عليها بضع مرات.
- لا تضغط على الدواسات أثناء معايرة العجلة ذاتيًا أو أثناء بدء تشغيل اللعبة لتجنب مشاكل المعايرة.
- إذا لم تعمل الدواسات على النحو الصحيح أو إذا كان من الواضح أنها تمت معايرتها على النحو الخاطئ، أوقف تشغيل وحدة التحكم وافصل العجلة بشكل كامل ثم أعد توصيل جميع الكابلات (بما في ذلك كابل موثر الطاقة وكابل مجموعة الدواسات)، أعد تشغيل وحدة التحكم وأعد تشغيل اللعبة.

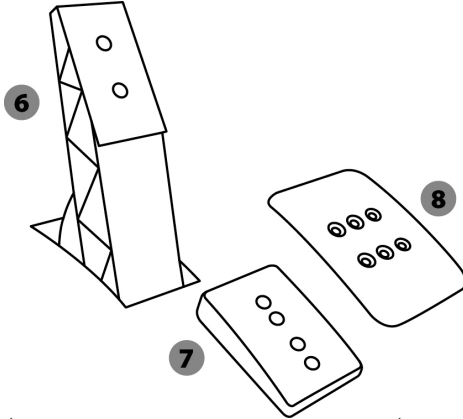
### توصيل مجموعة الدواسات في مقصورة اللعب

- وصل مجموعة الدواسات باستخدام السن اللولبي الموجود على الجانب السفلي من مجموعة الدواسات.
  - قم بربط مساميرين قلاووظ M6 (غير مضمنين) في لوحة دعم الدواسات في مقصورة اللعب وفي السنين اللولبيين الصغيرين الموجودين على الجانب السفلي من مجموعة الدواسات.
- هام:** يجب ألا تكون المسامير القلاووظ M6 أطول من سمك لوحة دعم الدواسات في مقصورة اللعب مضافًا إليه 10 ملم، لتجنب الإضرار بالمكونات الداخلية لمجموعة الدواسات.

## ضبط مجموعة الدواسات

تحتوي كل واحدة من الثلاث دواسات على:

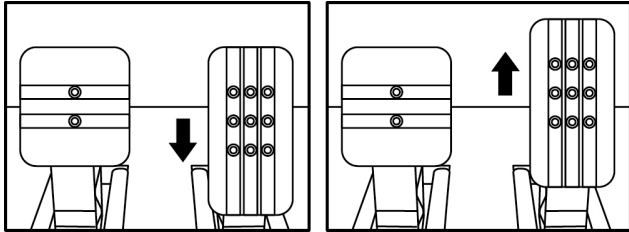
- رأس معدنية (8) ذات ثقب متعددة (9) للمسرّع - 2 للمكبج - 6 للقابض).
- رأس بلاستيكية داعمة (7) (توضع ما بين الرأس والنراع) ذات 4 ثقوب.
- ذراع دواسة (6) ذو ثقبين.



**انتباه:** لتجنب أي مشاكل معيارية، تأكد دائمًا من فصل كبل USB الخاص بالمجلة من نظام PS3™ أو PS4™ قبل عمل أي تعديلات على مجموعة الدواسات.

## تعديل طول دواسة المسرّع

- باستخدام مفتاح ألن 2.5 مم المضمن (4)، فك البرغيين المثبتين للرأس المعدنية (8) ودعامتها (7) في مكانها.
- حدد مكان الطول المفضل لك ثم استبدل البراغي وأعد إحكام ربطها بحيث تكون الرأس المعدنية (8) ودعامتها (7) مثبتة بإحكام في مكانها.



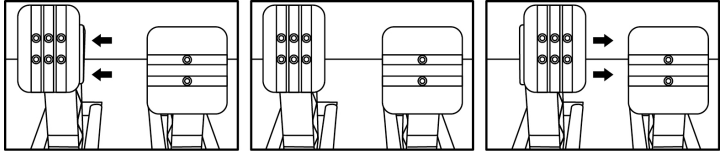
الوضع المنخفض (افتراضي)

الوضع المرتفع

## تعديل المسافات

- باستخدام مفتاح ألن 2.5 مم المضمن (4)، فك البرغيين المثبتين للرأس المعدنية (8) ودعامتها (7) في مكانها.
- حدد الارتفاع المفضل لك (إلى اليسار أو المنتصف أو اليمين)، ثم استبدل البراغي وأعد إحكام ربطها بحيث تكون الرأس المعدنية (8) ودعامتها (7) مثبتة بإحكام في مكانها.

### أمثلة توضح لدواصة القابض:



في اليسار

في المنتصف (افتراضي)

في اليمين

### عدد أوضاع المسافات الممكنة لكل دواصة

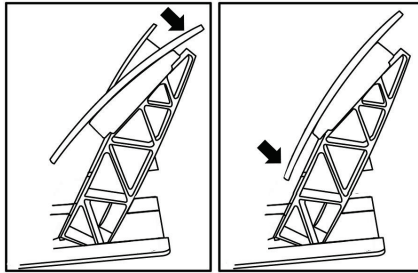
3 لدواصة المسرع

3 لدواصة القابض

## تعديل ميل الدواسات

- باستخدام مفتاح ألن 2.5 مم المضمن (4)، فك البرغيين المثبتين للرأس المعدنية (8) ودعامتها (7) في مكانها.
- لف داعمة الرأس البلاستيكية (7)  $180^\circ$ ، ثم استبدل البراغي وأعد إحكام ربطها بحيث تكون الرأس المعدنية (8) ودعامتها (7) مثبتة بإحكام في مكانها.

### أمثلة توضح دواصة المسرع



وضع مائل قليلاً

وضع مائل أكثر (افتراضي)

### عدد أوضاع الميل الممكنة لكل دواصة

2 لدواصة المسرع

2 لدواصة المكبح

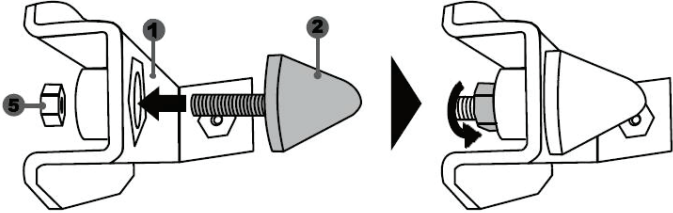
2 لدواصة القابض

## تركيب المسمار ذو الرأس المخروطية (تعديل "المكبج المطاطي المخروطي")

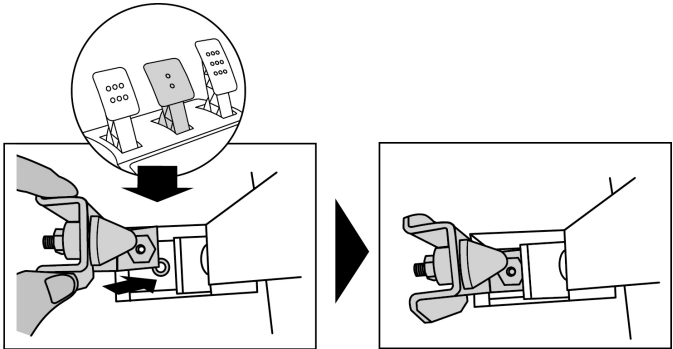
لا يعتبر هذا التعديل ضروريًا ولا يتم تركيبه في بشكل افتراضي. مما يعني أن وظائف دواصة المكبج تعمل بشكل مثالي حتى في حال عدم تركيب التعديل.

يتيح لك هذا التعديل تجربة إحساس مختلف ومقاومة عند الكبح. ويرجع لك الأمر في تركيبه من عدمه، حسب تفضيلك.

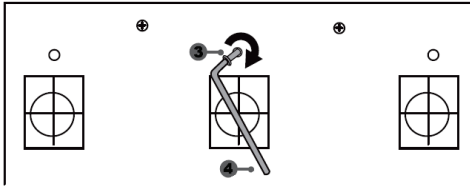
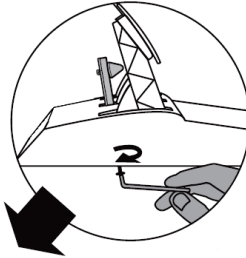
- اربط المسمار ذو الرأس المخروطية (2) في الداعمة المعدنية (1).
- اربط صامولة تعديل الوضع (5) في الأسفل (في السن اللولبي للمسمار ذو الرأس المخروطية).



- ضع الوحدة في ظهر ذراع دواصة المكبج.



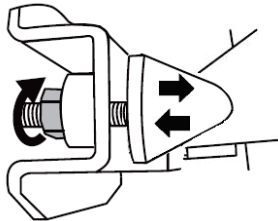
- باستخدام مفتاح 2.5 ملم (4)، اربط الوحدة باستخدام برغي الربط (3) والسن اللولبي الصغير المركزي الموجود على الجانب السفلي من مجموعة الدواسات.



تم الآن تركيب تعديل "المكبح المطاطي المخروطي"

تعديل نطاق السفر لدواسة المكبح وقوة المقاومة

عن طريق الفك الخفيف للصلامولة (5)، يمكنك زيادة تعزيز مقاومة دواسة الفرامل عن طريق تحريك المسمار ذو الرأس المخروطية (2) أقرب إلى ظهر ذراع الدواسة (إذا لزم الأمر، استخدم مفتاح 14 مم أو زردية لإعادة إحكام ربط الصمامولة والحفاظ على الموضع المحدد). كلما اقترب المسمار ذو الرأس المخروطية من ظهر الذراع، زادت قوة المقاومة.



**ملاحظة:** عندما يكون المسمار ذو الرأس المخروطية قريباً للغاية من ظهر ذراع دواسة المكبح، فقد تواجه بعض الصعوبات في الوصول إلى أقصى قيمة للمعايرة. وفي تلك الحالة:  
**\* بيطة،** اضغط بقوة على دواسة المكبح بحيث تصل إلى أقصى قيمة (إذا كان ضرورياً، قف على الدواسة للحظة واحدة)، ثم اقلت الضغط، أو غير ذلك.  
**\* حرك المسمار ذو الرأس المخروطية قليلاً بعيداً عن ظهر ذراع دواسة المكبح.**

\* ذراع تبديل السرعة الخاص بي لا يعمل بشكل صحيح، أو يبدو أنه قد تمت معايرته على نحو خاطئ:

- قم بإيقاف تشغيل الكمبيوتر أو الوحدة الرئيسية وافصل ذراع تبديل السرعة ثم أعد توصيله وأعد تشغيل اللعبة.

- في اللعبة، أسفل "خيارات/وحدة التحكم"، حدد التكوين الأكثر ملاءمة أو قم بأعداده.

- راجع دليل مستخدم اللعبة أو التعليمات المتوفرة على الإنترنت للحصول على مزيد من المعلومات.

- تتوفر العديد من موضوعات التعليمات والتلميحات (غير المضمنة في هذا الدليل) على موقع ويب <http://support.thrustmaster.com>، أسفل **Technical Support** (الدعم الفني).

### الدعم الفني

إذا واجهت مشكلة مع المنتج الخاص بك، فيرجى الانتقال إلى <http://support.thrustmaster.com> وتحديد اللغة. فمن هناك ستتمكن من الوصول إلى الأدوات المساعدة المتنوعة (الأسئلة الشائعة، أحدث إصدارات برامج التشغيل والبرامج) التي قد تساعدك في حل مشكلتك. إذا استمرت المشكلة، فيمكنك الاتصال بخدمة الدعم الفني لمنتجات Thrustmaster ("الدعم الفني"):

عن طريق البريد الإلكتروني:

الوصول إلى الدعم الفني الخاص بنا عبر البريد الإلكتروني، يجب أن تقوم أولاً بالتسجيل عبر الإنترنت على موقع ويب <http://support.thrustmaster.com>. حيث ستساعد المعلومات التي ستقدمها الفنيين في حل مشكلتك في أسرع وقت ممكن.

انقر فوق **Product Registration** (تسجيل المنتج) واتبع التعليمات المعروضة على الشاشة. إذا قمت بتسجيل المنتج بالفعل، فيرجى إدخال معلومات المستخدم في الحقول **Username** (اسم المستخدم) و **Password** (كلمة المرور) ثم انقر فوق **Login** (تسجيل الدخول).

### معلومات ضمان المستهلك

تضمن شركة Guillemot Corporation S.A، العالمية (المشار إليها فيما بعد باسم "Guillemot") ومقرها الرئيسي في Place du Granier, B.P. 97143, 35571 Chantepie, France، للمستهلك أن يكون منتج Thrustmaster هذا خالياً من عيوب المواد و عيوب التصنيع، طوال مدة فترة الضمان التي تتوافق مع الفترة المحددة التي يمكن خلالها المطالبة بالمطابقة لاسترداد قيمة هذا المنتج أو استبداله. في دول الاتحاد الأوروبي، يسري هذا لمدة (2) عامين من تاريخ استلام المنتج Thrustmaster. وفي دول أخرى، تتوافق فترة الضمان مع الفترة المحددة للمطالبة بمطابقة المنتج Thrustmaster وفقاً للقوانين المعمول بها في الدولة التي كان يقطن بها المستهلك عند تاريخ شراء المنتج Thrustmaster (في حالة عدم المطالبة في الدولة المعنية، ستكون فترة الضمان عام (1) واحد من تاريخ الشراء الأصلي للمنتج Thrustmaster). وإذا ظهر أن المنتج معيباً خلال فترة الضمان، فاتصل على الفور بالدعم الفني الذي سيرشدك إلى الإجراءات التي يجب أن تتبناها. وإذا تم التأكد من وجود العيب، فيجب إعادة المنتج إلى مكان شرائه (أو أي موقع آخر يشير إليه الدعم الفني).

وفي سياق هذا الضمان، يجب استبدال المنتج المعيب الخاص بالمستهلك أو إصلاحه، وذلك حسب اختيار الدعم الفني. إذا خضع منتج Thrustmaster، في خلال فترة الضمان، لأي عملية إصلاح، فإن أي فترة يكون المنتج خلالها خارج الخدمة ويحد أدنى سبعة (7) أيام سوف تضاف إلى فترة الضمان المتبقية (تبدأ هذه الفترة من تاريخ طلب العميل للتدخل أو من تاريخ تقديم المنتج المذكور للإصلاح، إذا كان تاريخ تقديم المنتج للإصلاح لاحقاً لتاريخ طلب التدخل). تقتصر المسؤولية الكاملة لشركة Guillemot وفروعها (بما في ذلك الأضرار التبعية) على إصلاح المنتج Thrustmaster أو استبداله، وذلك عندما يكون هذا جائزاً بموجب القانون الساري. تخلي شركة Guillemot مسؤوليتها عن أي ضمانات خاصة بالتجارة أو الملاءمة لغرض معين، وذلك عندما يكون هذا جائزاً بموجب القانون الساري.

لا يسري هذا الضمان: (1) إذا تم تعديل المنتج أو فتحه أو تغييره أو إذا تعرض للتلف نتيجةً للاستخدام السيئ أو غير الملائم أو الإهمال أو حادث أو الإهلاك نتيجة الاستعمال العادي، أو أي سبب آخر لا يرتبط بوجود

عيب في المواد أو التصنيع (بما في ذلك، على سبيل المثال لا الحصر، تجميع منتج Thrustmaster بواسطة أي عنصر غير مناسب، بما في ذلك على وجه الخصوص وحدات الإمداد بالطاقة أو البطاريات القابلة لإعادة الشحن أو الشواحن أو أي عناصر أخرى لا يتم توريدها من خلال Guillemot لهذا المنتج)؛ (2) إذا استخدم المنتج لأي غرض آخر بخلاف الاستخدام المنزلي، بما في ذلك الأغراض المهنية أو التجارية (غرف الألعاب أو التدريب أو المسابقات على سبيل المثال)؛ (3) في حالة عدم الالتزام بالتعليمات المقدمة من قبل الدعم الفني؛ (4) على البرامج، حيث تخضع هذه البرامج لضمان محدد؛ (5) على العناصر الاستهلاكية (العناصر التي يتم استهلاكها خلال فترة عمر المنتج: كالبطاريات غير القابلة لإعادة الاستخدام أو سماعات الرأس أو وسادات الأذن الخاصة بسماعة الرأس)؛ (6) الملحقات (كالكبلات والعلب والحافظات والحقائب وأربطة المعصم)؛ (7) إذا تم بيع المنتج في مزاد علني.

هذا الضمان غير قابل للتحويل.

لا يؤثر هذا الضمان على الحقوق القانونية للمستهلك بمقتضى القوانين المطبقة على بيع السلع الاستهلاكية في بلده/بلدها.

## شروط الضمان الأخرى

خلال فترة الضمان، لن توفر Guillemot، من حيث المبدأ، أي قطع غيار، حيث أن الدعم الفني هو الطرف الوحيد المخول بفتح و/أو إصلاح أي منتج من Thrustmaster (باستثناء أي إجراءات إصلاح يطلب الدعم الفني إجراؤها بواسطة العميل، عن طريق تعليمات مكتوبة – على سبيل المثال، نظرًا لبساطة عملة الإصلاح وعدم سربيتها – وتزويد العميل بقطعة (قطع) الغيار المطلوبة، حيثما أمكن ذلك.

لمقتضى المجالات الإبداعية ولحماية أسرار المعرفة الفنية والأسرار التجارية، لن توفر Guillemot، من حيث المبدأ، أي إشعارات للإصلاح أو قطع غيار لأي منتج Thrustmaster انتهت فترة الضمان الخاصة به.

## المسؤولية

تخلي شركة Guillemot Corporation S.A. (المشار إليها فيما بعد باسم "Guillemot") وفروعها ومسؤوليتها كاملة عن أي أضرار تنتج عن حالة أو أكثر من الحالات التالية، إذا كان هذا جائزًا بموجب القانون الساري: (1) تعديل المنتج أو فتحه أو تغييره؛ (2) عدم الالتزام بتعليمات المجموعة؛ (3) الاستخدام السيئ أو غير الملائم أو الإهمال أو التعرض لحادث (تصادم، على سبيل المثال)؛ (4) الإهلاك الناتج عن الاستعمال العادي؛ (5) إذا استخدم المنتج لأي غرض آخر بخلاف الاستخدام المنزلي، بما في ذلك الأغراض المهنية أو التجارية (غرف الألعاب أو التدريب أو المسابقات على سبيل المثال). تخلي شركة Guillemot وفروعها كافة مسؤوليتها عن أي أضرار لا ترتبط ببيع في المواد أو التصنيع يتعلّق بالمنتج (متضمنًا، على سبيل المثال لا الحصر، أي أضرار تحدث بشكل مباشر أو غير مباشر بسبب أي برنامج أو عن طريق دمج منتج Thrustmaster مع أي عنصر غير مناسب، بما في ذلك على وجه الخصوص وحدات الإمداد بالطاقة أو البطاريات القابلة لإعادة الشحن أو الشواحن أو أي عناصر أخرى لا يتم توريدها من خلال Guillemot لهذا المنتج)، إذا كان هذا جائزًا بموجب القانون الساري.

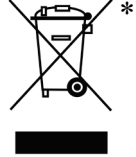


## حقوق النشر

© 2017 Guillemot Corporation S.A. جميع الحقوق محفوظة. Thrustmaster® هي علامة تجارية مسجلة لشركة Guillemot Corporation S.A. مرخص للبيع في أوروبا وإفريقيا والشرق الأوسط وروسيا والهند وأوقيانوسيا. للاستخدام حصرياً مع PlayStation®3 و PlayStation®4. كافة العلامات التجارية الأخرى مملوكة لأصحابها المعنيين. الرسوم التوضيحية غير ملزمة. وتخضع المحتويات والتصميمات والمواصفات للتغيير دون إشعار وقد تختلف من بلد إلى آخر. صنع في الصين. تم التصنيع والتوزيع بواسطة Guillemot Corporation S.A.

## توصيات الحماية البيئية

في الاتحاد الأوروبي: عند انتهاء صلاحية المنتج، يجب عدم التخلص منه مع النفايات المنزلية العادية، لكن يوضع في نقطة تجميع خاصة بالتخلص من نفايات المعدات الكهربائية والإلكترونية (WEEE). ويؤكد ذلك الرمز الموجود على المنتج أو دليل المستخدم أو الغلاف. يمكن إعادة تدوير المواد، على حسب خصائصها. من خلال إعادة التدوير والأشكال الأخرى لمعالجة نفايات المعدات الكهربائية والإلكترونية، يمكنك المشاركة بفعالية في المساعدة على حماية البيئة. يرجى الاتصال بالسلطات المحلية لديك للحصول على معلومات حول نقطة التجميع الأقرب إليك. بالنسبة لكافة البلدان الأخرى: يرجى الالتزام بقوانين إعادة التدوير المحلية الخاصة بالمعدات الكهربائية والإلكترونية.



احتفظ بهذه المعلومات. قد تختلف الألوان والزخارف. يجب إزالة المواد المثبتة واللاصقة من المنتج قبل استخدامه.

[www.thrustmaster.com](http://www.thrustmaster.com)

\*ينطبق على الاتحاد الأوروبي وتركيا فقط

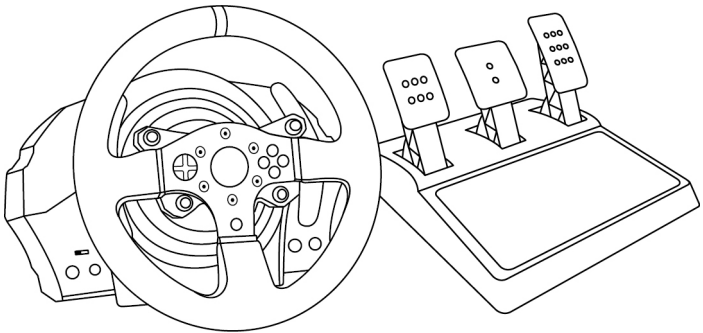


# T300RS

## GT Edition

FOR PLAYSTATION®3 – PLAYSTATION®4 SYSTEMS

User Manual



**WARNING:**

To ensure that your T300 wheel functions correctly with games for PlayStation®3 or PlayStation®4 systems, you may be required to install the games' automatic updates (available when your system is connected to the Internet).

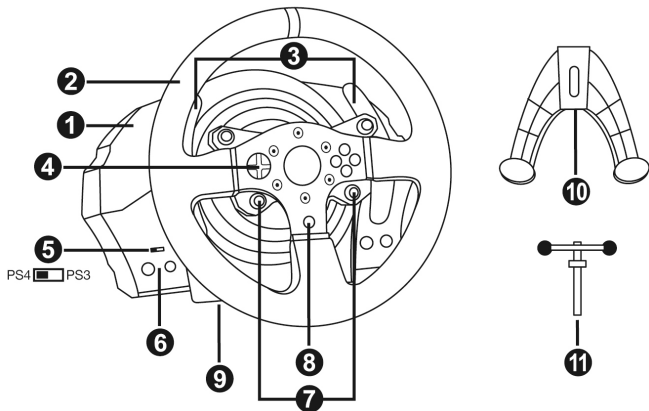
ENGLISH

ESPAÑOL

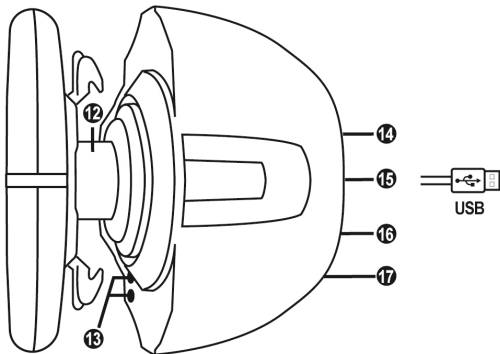
FRANÇAIS

PORTUGUÊS

# TECHNICAL FEATURES



- 1 T300 RS base
- 2 T300 GT wheel
- 3 2 sequential paddle shifters (up & down)
- 4 Directional buttons
- 5 PS4™ or PS3™ USB sliding switch
- 6 MODE button + red/green indicator light
- 7 SELECT/START buttons on PS3™ and SHARE/OPTIONS on PS4™
- 8 PS button
- 9 Large threaded hole (for attachment system and fastening screw)
- 10 Attachment system
- 11 Metal fastening screw



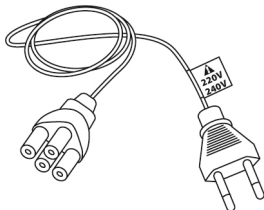
- 12 Thrustmaster Quick Release
- 13 L3/R3 buttons
- 14 Power supply connector (type A or B)  
*(varies from one country to another)*
- 15 Racing wheel USB cable and connector
- 16 Shifter (gearbox) connector  
*(gearbox sold separately)*
- 17 Pedal set connector

## PLUGGING THE RACING WHEEL INTO AN ELECTRICAL OUTLET: PLEASE READ BEFORE PROCEEDING!

Your racing wheel's power supply varies according to the country where you purchased your device.  
The power supply can be:

### Internal, with:

- \* a power supply unit located directly inside the racing wheel's base, with a type A connector.
- \* a 220-240 V power supply cable.
- = compatible only with 220-240 V electrical power.

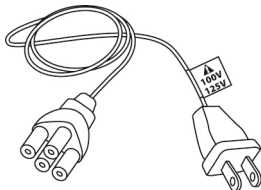


**Never connect the 220-240 V cable  
to a 100-130 V electrical outlet!!!  
Never connect this cable to a power adapter!!!**



### Internal, with:

- \* a power supply unit located directly inside the racing wheel's base, with a type A connector.
- \* a 100-125 V power supply cable.
- = compatible only with 100-125 V electrical power.



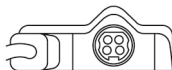
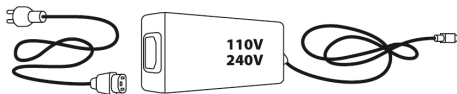
**Never connect the 100-125 V cable  
to a 220-240 V electrical outlet!!!  
Never connect this cable to a power adapter!!!**



**IMPORTANT: if you do not know which voltage is supplied in the area in which you are using  
your racing wheel, please ask your local electricity supplier.**

### External, with:

- \* an external power supply unit, with a type B connector.
- \* a power supply cable.
- = compatible with all electrical voltages, from 110-240 V.



## WARNING

Before using this product, please read this manual carefully and save it for later reference.



### **Warning – Electrical shock**

- \* Keep the product in a dry location and do not expose it to dust or sunlight.
- \* Do not twist or pull on the connectors and cables.
- \* Do not spill any liquid on the product or its connectors.
- \* Do not short-circuit the product.
- \* Never dismantle the product; do not throw it onto a fire and do not expose it to high temperatures.
- \* Do not use a power supply cable other than the one provided with your racing wheel.
- \* Do not use the power supply cable if the cable or its connectors are damaged, split or broken.
- \* Make sure that the power supply cable is properly plugged into an electrical outlet, and properly connected to the connector at the rear of the racing wheel's base.
- \* Do not open up the racing wheel: there are no user-serviceable parts inside. Any repairs must be carried out by the manufacturer, its authorized representative or a qualified technician.
- \* Only use attachment systems/accessories specified by the manufacturer.
- \* If the racing wheel is operating abnormally (if it is emitting any abnormal sounds, heat or odors), stop using it immediately, unplug the power supply cable from the electrical outlet and disconnect the other cables.
- \* If you will not be using the racing wheel for an extended period of time, unplug its power supply cable from the electrical outlet.
- \* The power outlet shall be installed near the equipment and shall be easily accessible.



### **Air vents**

Make sure not to block any of the air vents on the racing wheel's base. For optimal ventilation, make sure to do the following:

- \* Position the wheel's base at least 4"/10 cm away from any wall surfaces.
- \* Do not place the base in any tight spaces.
- \* Do not cover the base.
- \* Do not let any dust build up on the air vents.



**For safety reasons, never use the pedal set with bare feet  
or while wearing only socks on your feet.**

**THRUSTMASTER® DISCLAIMS ALL RESPONSIBILITY IN THE EVENT OF  
INJURY RESULTING FROM USE OF THE PEDAL SET WITHOUT SHOES.**



### **Warning – Injuries due to force feedback and repeated movements**

Playing with a force feedback racing wheel may cause muscle or joint pain. To avoid any problems:

- \* Avoid lengthy gaming periods.
- \* Take 10 to 15 minute breaks after each hour of play.
- \* If you feel any fatigue or pain in your hands, wrists, arms, feet or legs, stop playing and rest for a few hours before you start playing again.



**Warning – Injuries due to force feedback and repeated movements (continued)**

- \* If the symptoms or pain indicated persist when you start playing again, stop playing and consult your doctor.
- \* Keep out of children's reach.
- \* During gameplay, always leave both hands correctly positioned on the wheel without completely letting go.
- \* During gameplay, never place your hands or your fingers under the pedals or anywhere near the pedal set.
- \* During calibration and gameplay, never place your hand or your arm through the openings in the racing wheel.
- \* Make sure that the racing wheel's base is properly secured, as per this manual's instructions.



Product to be handled only by users  
16 years of age or older

**HEAVY PRODUCT**



Be careful not to drop the product on  
yourself or on anyone else!

**ALWAYS**



**NEVER**



**NEVER**





### **Warning – Pedal set pinch hazard when playing**

- \* Keep the pedal set out of children's reach.
- \* During gameplay, never place your fingers on or anywhere near the sides of the pedals.
- \* During gameplay, never place your fingers on or anywhere near the pedal's rear base.
- \* During gameplay, never place your fingers on or anywhere near the pedal's front base.



### **Warning – Pedal set pinch hazard when not playing**

- \* Store the pedal set in a safe place, and keep it out of children's reach.

## **UPDATING YOUR RACING WHEEL'S FIRMWARE**

The firmware included in your racing wheel's base can be updated to a more recent version featuring product enhancements.

To display the firmware version that your racing wheel is currently using and update it if required: on PC, visit <http://support.thrustmaster.com>. Click **Racing Wheels / T300 RS**, then select **Firmware** and follow the instructions describing the download and installation procedure.

## INSTALLING THE WHEEL ON ITS BASE

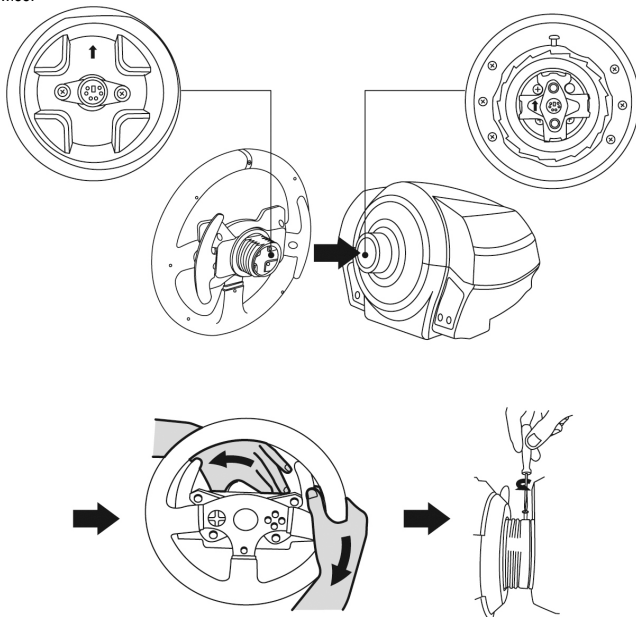
Align the connector positions using the arrows:

**Base (1) connector:** Arrow pointing upwards

**Racing wheel (2) connector:** Arrow pointing upwards

Once the connectors are correctly positioned, simply rotate the Thrustmaster Quick Release (12) device's ring counterclockwise, while holding the racing wheel (2) in position.

Then, tighten the ring as much as you can: to do so, hold the ring in position and rotate the racing wheel clockwise.



Once you have installed the wheel, rotate it 180° (when facing the wheel, the GT logo should be upside down) to access the small attachment screw located on the ring of the Thrustmaster Quick Release (12) device. Use a large Phillips screwdriver to tighten the small attachment screw (do not use excessive force), turning it clockwise.



**Do not use excessive force when tightening the small attachment screw  
(using a Phillips screwdriver)!**

**Stop turning the screw as soon as you feel some resistance.**

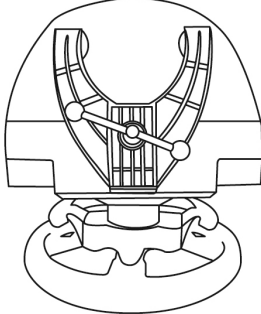


## ATTACHING THE RACING WHEEL

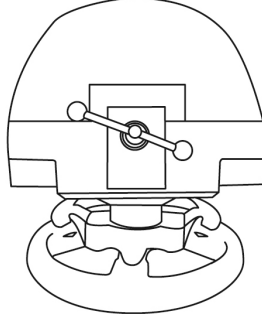
### Attaching the racing wheel to a table or a desktop

1. Place the racing wheel on a table or any other horizontal, flat and stable surface.
2. Insert the fastening screw (11) in the attachment system (10), then tighten the device by turning the screw counterclockwise, so that it feeds into the large threaded hole (9) located beneath the racing wheel, until the wheel is perfectly stable.

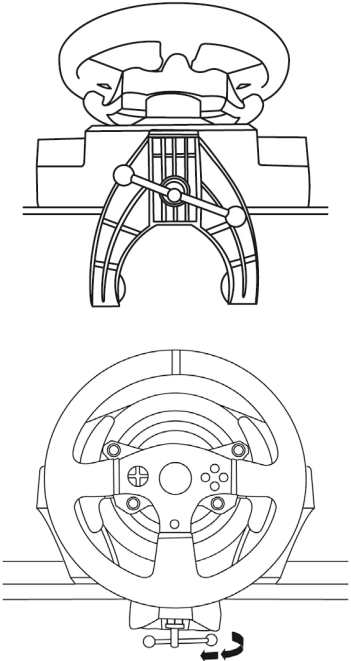
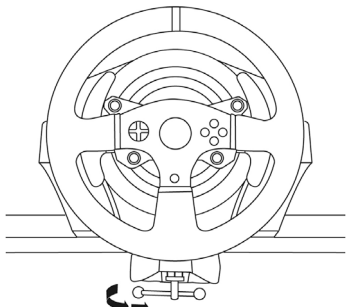
**ALWAYS**



**NEVER**



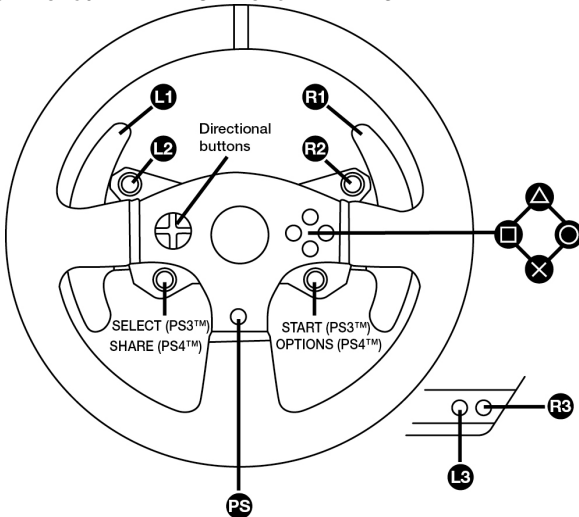
**WARNING:** Never tighten the screw alone, without the attachment system in place!  
*(This could damage the racing wheel.)*

ATTACHMENT / REMOVAL	DIRECTION
<p><b><u>To tighten:</u></b></p> <p><i>Turn the screw counterclockwise</i></p>	
<p><b><u>To release:</u></b></p> <p><i>Turn the screw clockwise</i></p>	

## Attaching the racing wheel's base to a cockpit

1. Place the racing wheel's base on the cockpit shelf.
2. Drive two M6 screws (not included) through the cockpit shelf, then feed them into the two small screw threads located on the underside of the racing wheel.  
*Important:* The length of the two M6 screws must not exceed the thickness of the shelf + 0.5"/12 mm; longer screws could cause damage to internal components located in the racing wheel's base.
3. If required, tighten the standard attachment system by inserting the fastening screw in the large threaded hole.

## PLAYSTATION®3 AND PLAYSTATION®4 MAPPING



## SETTING UP THE RACING WHEEL FOR PLAYSTATION®3 OR PLAYSTATION®4

1. Connect the pedal set to the connector (17) located at the back of the racing wheel's base.
2. Connect the power supply cable to the connector (14) located at the back of the racing wheel's base.
3. Plug the power supply cable into an electrical outlet with the same voltage specifications.



**For more information about this, please refer to the PLUGGING THE RACING WHEEL INTO AN ELECTRICAL OUTLET section, on page 3 in this manual.**

4. Set the USB sliding switch (5) on the racing wheel's base to either the PS3™ or PS4™ position, depending on the system or the game you are using.
5. Connect the racing wheel's USB connector (15) to one of the system's USB ports.
6. Once your system is powered on, your racing wheel will calibrate itself automatically.
7. On PlayStation®4 (when the USB sliding switch is set to the PS4™ position): press the racing wheel's PS button (8) and sign in to your Sony Entertainment Network account, in order to be able to use the wheel.

***You are now ready to play!***

### Important notes:

- The USB sliding switch (5) on the racing wheel's base must always be set to the proper position (PS3™ or PS4™) before connecting the wheel's USB cable to the system. To change the sliding switch's position, disconnect the USB cable from the system and then change the position of the switch before reconnecting the USB cable to the system.
- On PlayStation®3, the USB sliding switch (5) must always be set to the PS3™ position:
  - \* The wheel is recognized in most games as a T500RS wheel.
  - \* The wheel is functional in compatible games and in system menus.
  - \* The "PS" function is functional on the wheel.
- On PlayStation®4, with the USB sliding switch (5) in the PS3™ position:
  - \* The wheel is recognized in most games as a T500RS wheel.
  - \* The wheel is functional in compatible games, but not in system menus.
  - \* The "SHARE" and "PS" functions are not functional on the wheel.
- On PlayStation®4, with the USB sliding switch (5) in the PS4™ position:
  - \* Don't forget to press the racing wheel's PS button (8) in order to be able to use the wheel.
  - \* The wheel is recognized in most games as a T300 RS wheel.
  - \* The wheel is functional in compatible games and in system menus.
  - \* The "SHARE" and "PS" functions are functional on the wheel.
- *The list of PlayStation®3 and PlayStation®4 games compatible with the T300 RS (along with the required position for the USB sliding switch (5) according to the game being played) is available at:*

<http://support.thrustmaster.com>

*(click Racing Wheels / T300 RS / Games settings).*

*This list is updated regularly.*

## SETTING UP THE RACING WHEEL FOR PC

### **Important note:**

**On PC, the USB sliding switch (5) on the racing wheel's base must always be set to the PS3™ position.**

1. Go to <http://support.thrustmaster.com> to download the drivers and the force feedback software for PC. Click Wheels / T300 RS, then select Drivers.
2. Once the download is complete, launch the installation, and follow the on-screen instructions to connect the wheel's USB plug to your computer and complete the installation.
3. Once the installation is complete, click Finish and restart your computer.
4. Select Start / All Programs / Thrustmaster / FFB Racing Wheel / Control Panel to open the Game Controllers window.

The Game Controllers window displays the racing wheel's name T300 RS Racing Wheel with the status OK.

5. Click Properties to configure your wheel in the T300 RS control panel:

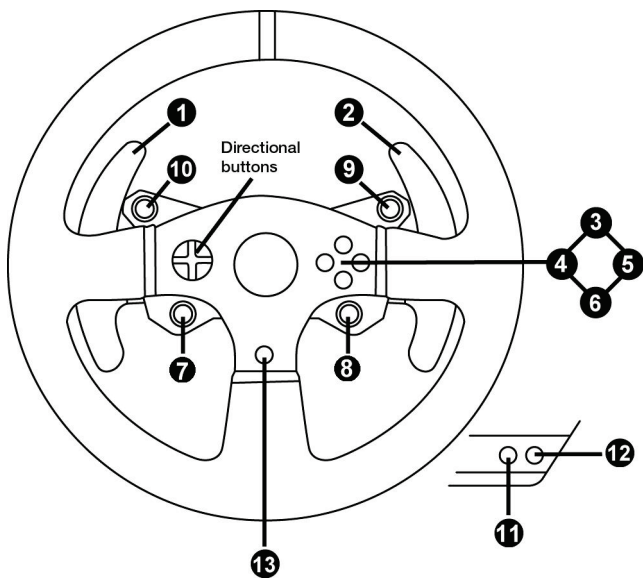
- Test Input tab: allows to test and view the action buttons, directional buttons, wheel and pedals axes, and to adjust the wheel's rotation angle in your PC games.
- Test Forces tab: allows to test 12 force feedback effects.
- Gain Settings tab: allows to adjust the power of the force feedback effects in your PC games.

***You are now ready to play!***

### General notes:

- On PC, click OK to close the Game Controllers window before launching the game.
- On PC, the adjustments made in the Game Controllers window will only be saved on your computer (hence they will have no effect on PlayStation®3 or PlayStation®4).
- Your wheel's firmware version is displayed in the upper right-hand corner of the T300 RS control panel tabs.

# PC MAPPING



## AUTOMATIC RACING WHEEL AND PEDAL SET CALIBRATION

The wheel automatically self-calibrates when you plug the racing wheel into an electrical outlet and connect the racing wheel's USB connector to the system.

During this phase, the racing wheel will rotate quickly towards the left and the right, covering a 1080 degree angle, before stopping at the center.



### **WARNING:**

**Never touch the racing wheel during the self-calibration phase!**  
*(This could result in improper calibration and/or personal injuries.)*

## AUTOMATIC CALIBRATION OF THE PEDAL SET

Never connect the pedal set to the racing wheel's base (or disconnect it from the base) when it is connected to the system or during gameplay (this could result in improper calibration).

Always connect the pedal set before connecting the racing wheel to the system.

Once the racing wheel's calibration is complete and the game has been started, the pedals are automatically calibrated after a few presses.



### **WARNING:**

**Never press the pedals during the racing wheel's self-calibration phase or while a game is loading!**  
*(This could result in improper calibration.)*

**If your racing wheel and/or pedal set do not function correctly, or if they seem to be improperly calibrated:**

Power off your system and completely disconnect the racing wheel. Then reconnect all cables (including the power supply cable and the pedal set), and restart your system and your game.

## INTERNAL TEMPERATURE SENSOR

The wheel's cooling system is composed of a heat sink and a fan.

- A thermostat monitors the wheel's internal temperature.
- When you are using the wheel in a game:
  - The cooling fan starts up when the wheel has reached a certain temperature (after a few minutes of gameplay, depending on the strength of the Force Feedback effects used).
  - The power of the Force Feedback effects automatically decreases as soon as the wheel reaches a much higher temperature level (to protect the motor). The power of these effects automatically increases as soon as the temperature slightly decreases.
- When you're done playing: due to the motor's thermal inertia, the cooling fan continues to operate until the temperature drops below the fan's startup level. Your wheel has been designed in this way in order to facilitate cooling, and to protect the motor (this may take from 5 to 45 minutes, depending on the temperature reached while using the wheel in a game).

## MODE BUTTON AND INDICATOR LIGHT (6)

### MODE button for the pedal set

You can electronically swap the accelerator and clutch pedals.

To do so, simply press the MODE button (6) for 2 seconds.

The racing wheel's internal memory stores whether the pedals have been swapped around or not.

GAS AND CLUTCH PEDALS	Colour of the MODE indicator light (6)
NORMAL	RED
SWAPPED AROUND	GREEN

### Other information regarding the MODE button

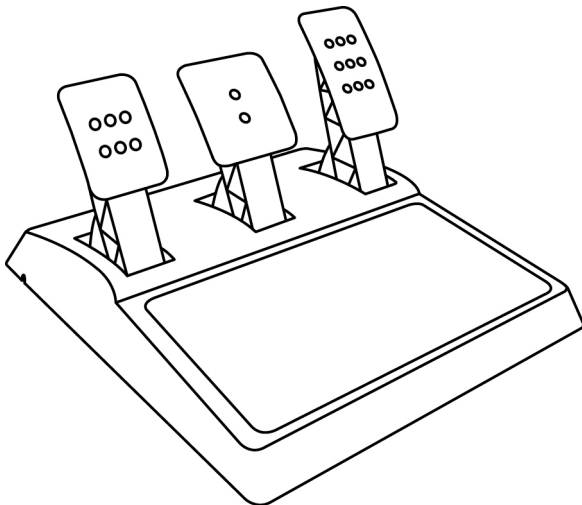
To learn more about the MODE button and indicator light, please visit <http://support.thrustmaster.com>. Click **Racing Wheels / T300 RS**, and then select **Manual** or **FAQ**.

## HELP FILES AND FAQs (NOT INCLUDED IN THIS MANUAL)

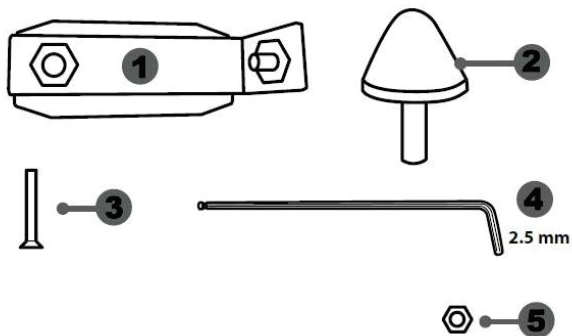
Please visit <http://support.thrustmaster.com>. Click **Racing Wheels / T300 RS**, and then select **Manual** or **FAQ**.



# T3PA – GT EDITION PEDAL SET



## TECHNICAL FEATURES



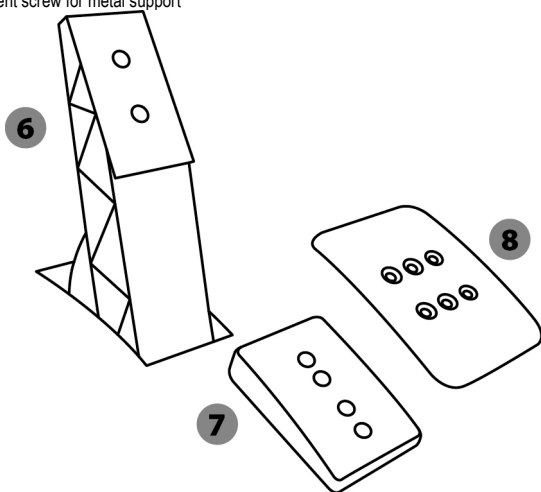
1 Metal support for conical stop  
(not installed by default)

2 Conical stop

3 Attachment screw for metal support

4 2.5 mm Allen key (included)

5 Position adjustment nut for conical stop



6 Pedal arm

7 Plastic head support

8 Metal pedal head

## WARNING

Before using this product, be sure to read these instructions carefully and save them for future reference.



For safety reasons, never use the pedal set with bare feet or while wearing only socks on your feet.

**THRUSTMASTER® DISCLAIMS ALL RESPONSIBILITY IN THE EVENT OF INJURY RESULTING FROM USE OF THE PEDAL SET WITHOUT SHOES.**



### **Warning – Pedal set pinching hazard during gaming sessions**

- \* Keep the pedal set out of the reach of children.
- \* During gaming sessions, never place your fingers or thumbs on or near the sides of the pedals.
- \* During gaming sessions, never place your fingers or thumbs on or near the rear base of the pedals.
- \* During gaming sessions, never place your fingers or thumbs on or near the front base of the pedals.

**NEVER**



**NEVER**



**NEVER**



## AUTOMATIC CALIBRATION OF PEDALS



### **IMPORTANT:**

- Never connect or disconnect the pedal set from the base of the wheel when the wheel is connected to the system or PC, or during gaming sessions, to avoid calibration problems.
- = Always connect the pedal set to the wheel before connecting the wheel to the system or PC.
  
- Once the wheel has self-calibrated and the game has started, the pedals automatically calibrate themselves after being pressed a few times.
  
- Never press on the pedals when the wheel is self-calibrating or when your game is starting up, to avoid calibration problems.
  
- If the pedals are not functioning correctly or appear to be improperly calibrated, power off your system, completely disconnect your wheel, then reconnect all of the cables (including the power supply cable and the pedal set cable), power the system back on and restart your game.

## ATTACHING THE PEDAL SET TO A COCKPIT

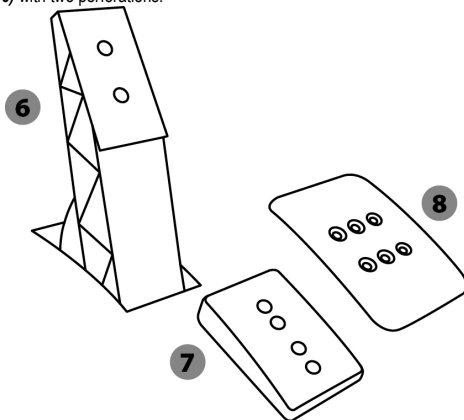
- Attach the pedal set using the small screw threads located on the underside of the pedal set.
- Screw two M6 screws (not included) into the cockpit's pedal support plate and into the two small screw threads located on the underside of the pedal set.

**Important:** The length of the two M6 screws must not exceed the thickness of the cockpit's pedal support plate plus an additional 0.4"/10 mm, to avoid damaging the pedal set's internal components.

## ADJUSTING THE PEDAL SET

Each of the three pedals includes:

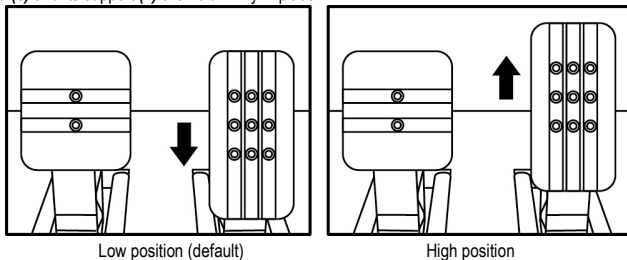
- A metal head (8) with multiple perforations (nine for the accelerator – two for the brake – six for the clutch).
- A plastic head support (7) (placed between the head and the arm) with four perforations.
- A pedal arm (6) with two perforations.



**ATTENTION:** To avoid any calibration problems, be sure to always disconnect your wheel's USB cable from the system or PC before making any adjustments to your pedal set.

### Adjusting the HEIGHT of the accelerator pedal

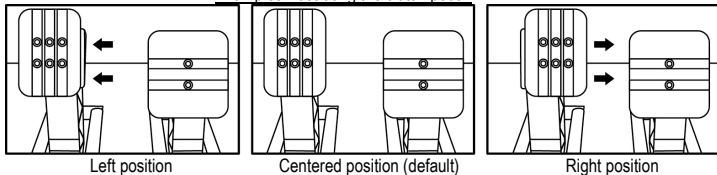
- Using the included 2.5 mm Allen key (4), unscrew the two screws holding the metal head (8) and its support (7) in place.
- Select your preferred height position, then replace and re-tighten the screws so that the metal head (8) and its support (7) are held firmly in place.



## Adjusting the SPACING

- Using the included 2.5 mm Allen key (4), unscrew the two screws holding the metal head (8) and its support (7) in place.
- Select your preferred position (to the left, centered, or to the right), then replace and re-tighten the screws so that the metal head (8) and its support (7) are held firmly in place.

Examples illustrating the clutch pedal:



Left position

Centered position (default)

Right position

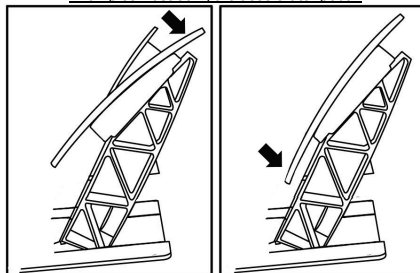
Number of possible spacing positions per pedal:

- Three for accelerator pedal
- Three for clutch pedal

## Adjusting the INCLINATION of the pedals

- Using the included 2.5 mm Allen key (4), unscrew the two screws holding the metal head (8) and its support (7) in place.
- Turn the plastic head support (7) 180°, then replace and re-tighten the screws so that the metal head (8) and its support (7) are held firmly in place.

Examples illustrating the accelerator pedal:



Less inclined position

More inclined position (default)

Number of possible inclination positions per pedal:

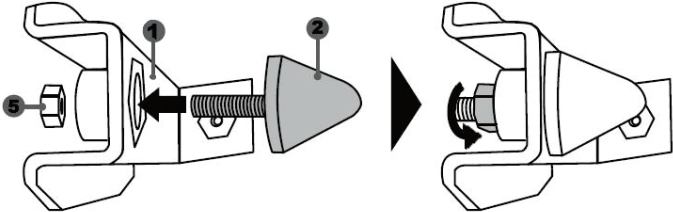
- Two for accelerator pedal
- Two for brake pedal
- Two for clutch pedal

## Installing the conical stop (“CONICAL RUBBER BRAKE” mod)

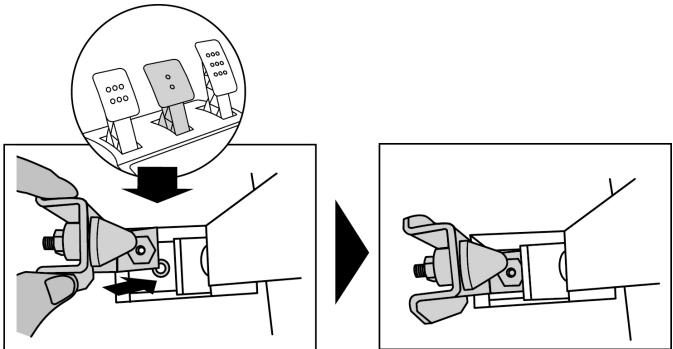
*This modification (or “mod”) is not essential, and is not installed by default. This means that the brake pedal functions perfectly even if the mod is not installed.*

*This mod lets you experience a different feeling and resistance when braking. It’s up to you whether or not to install it, depending on your own preferences.*

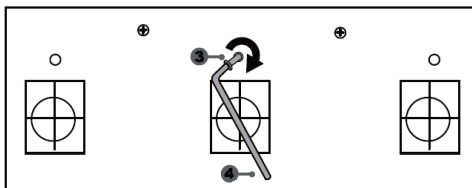
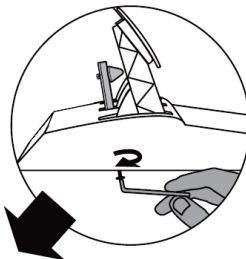
- Screw the conical stop (2) onto its metal support (1).
- Screw the position adjustment nut (5) onto the bottom (onto the conical stop’s screw thread).



- Position the unit at the back of the brake pedal’s arm.



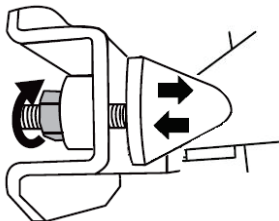
- Using the included 0.1"/2.5 mm Allen key (4), attach the unit using the attachment screw (3) and the small central screw thread located on the underside of the pedal set.



The "CONICAL RUBBER BRAKE" mod is now installed!

### Adjusting the brake pedal's RANGE of travel and STRENGTH of resistance

By slightly unscrewing the nut (5), you can further strengthen the resistance of the brake pedal by moving the conical stop (2) closer to the back of the pedal's arm (if necessary, use a 0.55"/14 mm wrench or pliers to re-tighten the nut and maintain the selected position). The closer the conical stop is positioned to the back of the pedal's arm, the greater the strength of resistance will be.



**Note:** When the conical stop is very close to the back of the brake pedal's arm, you may experience difficulties in reaching the maximum calibration value. Should that be the case:

- \* Slowly, press very hard on the brake pedal so as to reach the maximum value (if necessary, stand very briefly on the pedal – just for a second), then release the pressure; or else
- \* Move the conical stop a bit farther away from the back of the brake pedal's arm.



## **CONSUMER WARRANTY INFORMATION**

Worldwide, Guillemot Corporation S.A., whose registered office is located at Place du Granier, B.P. 97143, 35571 Chantepie, France (hereinafter "Guillemot") warrants to the consumer that this Thrustmaster product shall be free from defects in materials and workmanship, for a warranty period which corresponds to the time limit to bring an action for conformity with respect to this product. In the countries of the European Union, this corresponds to a period of two (2) years from delivery of the Thrustmaster product. In other countries, the warranty period corresponds to the time limit to bring an action for conformity with respect to the Thrustmaster product according to applicable laws of the country in which the consumer was domiciled on the date of purchase of the Thrustmaster product (if no such action exists in the corresponding country, then the warranty period shall be one (1) year from the original date of purchase of the Thrustmaster product).

Notwithstanding the above, rechargeable batteries are covered by a warranty period of six (6) months from the date of original purchase.

Should the product appear to be defective during the warranty period, immediately contact Technical Support, who will indicate the procedure to follow. If the defect is confirmed, the product must be returned to its place of purchase (or any other location indicated by Technical Support).

Within the context of this warranty, the consumer's defective product shall, at Technical Support's option, be either replaced or returned to working order. If, during the warranty period, the Thrustmaster product is subject to such reconditioning, any period of at least seven (7) days during which the product is out of use shall be added to the remaining warranty period (this period runs from the date of the consumer's request for intervention or from the date on which the product in question is made available for reconditioning, if the date on which the product is made available for reconditioning is subsequent to the date of the request for intervention). If permitted under applicable law, the full liability of Guillemot and its subsidiaries (including for consequential damages) is limited to the return to working order or the replacement of the Thrustmaster product. If permitted under applicable law, Guillemot disclaims all warranties of merchantability or fitness for a particular purpose.

This warranty shall not apply: (1) if the product has been modified, opened, altered, or has suffered damage as a result of inappropriate or abusive use, negligence, an accident, normal wear, or any other cause unrelated to a material or manufacturing defect (including, but not limited to, combining the Thrustmaster product with any unsuitable element, including in particular power supplies, rechargeable batteries, chargers, or any other elements not supplied by Guillemot for this product); (2) if the product has been used for any use other than home use, including for professional or commercial purposes (game rooms, training, competitions, for example); (3) in the event of failure to comply with the instructions provided by Technical Support; (4) to software, said software being subject to a specific warranty; (5) to consumables (elements to be replaced over the product's lifespan: disposable batteries, audio headset or headphone ear pads, for example); (6) to accessories (cables, cases, pouches, bags, wrist-straps, for example); (7) if the product was sold at public auction.

This warranty is nontransferable.

The consumer's legal rights with respect to laws applicable to the sale of consumer goods in his or her country are not affected by this warranty.

### **Additional warranty provisions**

During the warranty period, Guillemot shall not provide, in principle, any spare parts, as Technical Support is the only party authorized to open and/or recondition any Thrustmaster product (with the exception of any reconditioning procedures which Technical Support may request that the consumer carry out, by way of written instructions – for example, due to the simplicity and the lack of confidentiality of the reconditioning process – and by providing the consumer with the required spare part(s), where applicable).

Given its innovation cycles and in order to protect its know-how and trade secrets, Guillemot shall not provide, in principle, any reconditioning notification or spare parts for any Thrustmaster product whose warranty period has expired.

In the United States of America and in Canada, this warranty is limited to the product's internal mechanism and external housing. In no event shall Guillemot or its affiliates be held liable to any third party for any consequential or incidental damages resulting from the breach of any express or implied warranties. Some States/Provinces do not allow limitation on how long an implied warranty lasts or exclusion or limitation of liability for consequential or incidental damages, so the above limitations or exclusions may not apply to you. This warranty gives you specific legal rights, and you may also have other rights which vary from State to State or Province to Province.

**Liability**

If permitted under applicable law, Guillemot Corporation S.A. (hereinafter "Guillemot") and its subsidiaries disclaim all liability for any damages caused by one or more of the following: (1) the product has been modified, opened or altered; (2) failure to comply with assembly instructions; (3) inappropriate or abusive use, negligence, an accident (an impact, for example); (4) normal wear; (5) the use of the product for any use other than home use, including for professional or commercial purposes (game rooms, training, competitions, for example). If permitted under applicable law, Guillemot and its subsidiaries disclaim all liability for any damages unrelated to a material or manufacturing defect with respect to the product (including, but not limited to, any damages caused directly or indirectly by any software, or by combining the Thrustmaster product with any unsuitable element, including in particular power supplies, rechargeable batteries, chargers, or any other elements not supplied by Guillemot for this product).

**DECLARATION OF CONFORMITY**

**CANADIAN COMPLIANCE NOTICE:** this Class B digital apparatus meets all requirements of the Canadian Interference-Causing Equipment Regulations.

**USA COMPLIANCE NOTICE:** this equipment has been tested and found to comply with the limits for a Class B digital device, pursuant to Part 15 of the FCC rules. Operation is subject to the following two conditions:

- (1) This device may not cause harmful interference, and
- (2) This device must accept any interference received, including interference that may cause undesired operation.

These limits are designed to provide reasonable protection against harmful interference in a residential installation. This equipment generates, uses and can radiate radio frequency energy and, if not installed and used in accordance with the instructions, may cause harmful interference to radio communications. However, there is no guarantee that interference will not occur in a particular installation. If this equipment does cause harmful interference to radio or television reception, which can be determined by turning the equipment on and off, the user is encouraged to try to correct the interference by one or more of the following measures:

- Reorient or relocate the receiving antenna.
- Increase the separation between the equipment and receiver.
- Connect the equipment into an outlet on a circuit different from that to which the receiver is connected.
- Consult the dealer or an experienced radio/TV technician for help.

**THRUSTMASTER®****TECHNICAL SUPPORT**<http://support.thrustmaster.com>

## COPYRIGHT

© 2017 Guillemot Corporation S.A. All rights reserved. Thrustmaster® is a registered trademark of Guillemot Corporation S.A.

Manufactured & distributed under license from Sony Interactive Entertainment America LLC.

Playstation, the PS family logo, PS3, PS4 and "△○×□" are registered trademarks of Sony Interactive Entertainment Inc. All rights reserved.

All other trademarks and brand names are hereby acknowledged and are property of their respective owners. Illustrations not binding. Contents, designs and specifications are subject to change without notice and may vary from one country to another. Made in China.

## ENVIRONMENTAL PROTECTION RECOMMENDATION

Please adhere to local recycling laws for electrical and electronic equipment.

Retain this information. Colors and decorations may vary.

Plastic fasteners and adhesives should be removed from the product before it is used.

[www.thrustmaster.com](http://www.thrustmaster.com)

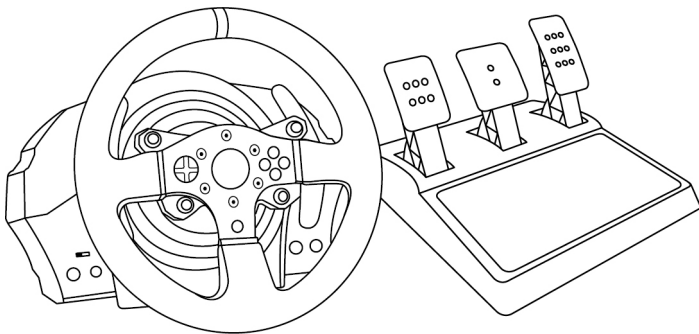


# T300RS

## GT Edition

POUR SYSTÈMES PLAYSTATION®3 – PLAYSTATION®4

Manuel de l'utilisateur



**ATTENTION :**

Pour que le volant T300 fonctionne correctement avec les jeux PlayStation®3 ou PlayStation®4, il peut être nécessaire d'installer les mises à jour automatiques de ces jeux (*disponibles lorsque votre système est connecté à Internet*).

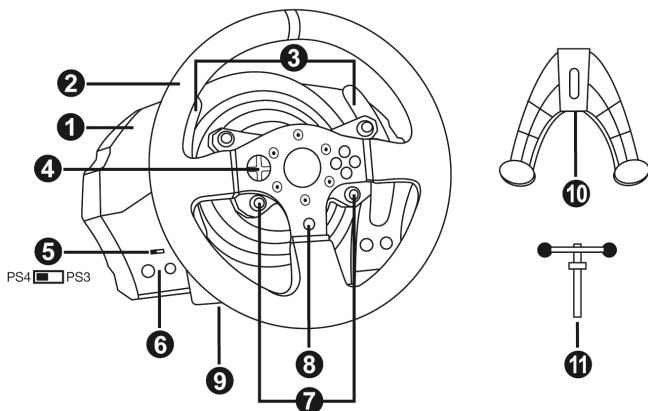
ENGLISH

ESPAÑOL

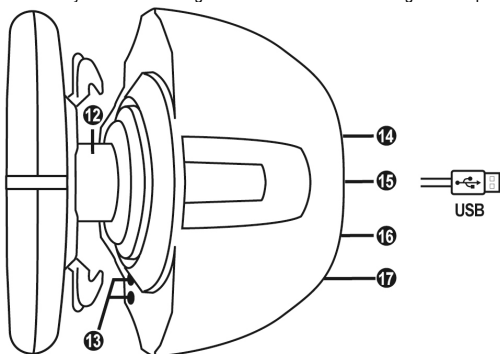
FRANÇAIS

PORTUGUÊS

## CARACTERISTIQUES TECHNIQUES



- |  |  |
|--|--|
| 1 Base T300 RS   | 7 Boutons SELECT/START sur PS3™ et SHARE/OPTIONS sur PS4™            |
| 2 Roue T300 GT   | 8 Bouton PS  |
| 3 2 leviers séquentiels de changement de vitesse (up & down) | 9 Gros pas de vis (pour le système de fixation et la vis de serrage) |
| 4 Croix multidirectionnelle                                  | 10 Système de fixation   |
| 5 Sélecteur USB PS4™ ou PS3™                                 | 11 Vis de serrage métallique   |
| 6 Bouton MODE + Voyant lumineux rouge/vert                   |  |



- |   |   |
|---|---|
| 12 Thrustmaster Quick Release   | 15 Câble et connecteur USB du volant                        |
| 13 Boutons L3 / R3  | 16 Connecteur pour la boîte de vitesses (vendue séparément) |
| 14 Connecteur type A ou B pour l'alimentation secteur (diffère d'un pays à l'autre) | 17 Connecteur pour le pédalier                              |

## RELIER LE VOLANT AU SECTEUR = A LIRE IMPERATIVEMENT

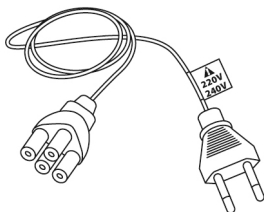
En fonction du pays où vous avez acheté votre volant, l'alimentation secteur de votre volant diffère.  
Elle est :

### Soit interne avec :

\* Boitier d'alimentation directement dans la base du volant avec connecteur type A

\* Câble d'alimentation secteur 220-240V.

= uniquement compatible avec du courant 220-240V.



**Ne jamais brancher le câble 220-240V sur une prise de courant 100-130V !!!**  
**Ne jamais relier ce câble à un adaptateur secteur !!!**

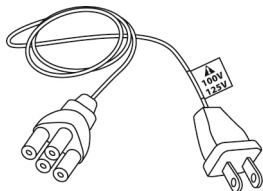


### Soit interne avec :

\* Boitier d'alimentation directement dans la base du volant avec connecteur type A

\* Câble d'alimentation secteur 100-125V.

= uniquement compatible avec du courant 100-125V.



**Ne jamais brancher le câble 100-125V sur une prise de courant 220-240V !!!**  
**Ne jamais relier ce câble à un adaptateur secteur !!!**



**IMPORTANT : Si vous ne connaissez pas le voltage de la zone**

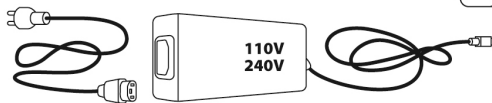
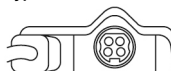
**dans laquelle vous utilisez le volant, reportez-vous- au fournisseur local d'électricité.**

### Soit externe avec :

\* Boitier d'alimentation externe à la base du volant avec connecteur type B

\* Câble d'alimentation secteur

= compatible avec tout type de courant 110-240V.



## AVERTISSEMENTS

Avant d'utiliser ce produit, lisez attentivement cette documentation et conservez-la pour pouvoir la consulter ultérieurement.



### **Avertissement – Choc électrique**

- \* Conservez le produit dans un endroit sec et ne l'exposez ni à la poussière ni au soleil.
- \* Ne tordez pas et ne tirez pas sur les connecteurs et câbles.
- \* Ne renversez pas de liquide sur le produit et ses connecteurs.
- \* Ne mettez pas le produit en court-circuit.
- \* Ne démontez jamais le produit, ne le jetez pas au feu et ne l'exposez pas à des températures élevées.
- \* N'utilisez pas de câble d'alimentation autre que celui fourni avec votre volant.
- \* N'utilisez pas le câble d'alimentation secteur si celui-ci où ses connecteurs sont endommagés, fendus ou cassés.
- \* Assurez-vous que le câble d'alimentation secteur est parfaitement inséré dans la prise murale et dans son connecteur situé à l'arrière de la base du volant.
- \* N'ouvrez pas l'appareil. L'appareil ne contient pas de pièces réparables par l'utilisateur. Confiez toute réparation au fabricant, à une agence spécifiée ou un technicien qualifié.
- \* Utilisez uniquement les systèmes de fixation /accessoires spécifiés par le fabricant.
- \* Si le volant fonctionne de manière anormale (s'il émet des sons, de la chaleur ou des odeurs anormales), arrêtez immédiatement de l'utiliser, débranchez le câble d'alimentation de la prise électrique et déconnectez les autres câbles.
- \* Lorsque vous n'utilisez pas le volant pendant une période prolongée, débranchez le câble d'alimentation secteur de la prise électrique.



### **Grilles d'aération**

Veillez à n'obstruer aucune grille d'aération de la base du volant. Pour assurer une ventilation optimale, respectez les points ci-après :

- \* Placez la base à 10 cm au moins d'une surface murale.
- \* Ne placez pas la base dans un endroit exigü.
- \* Ne couvrez pas la base.
- \* Ne laissez pas la poussière s'accumuler sur les grilles d'aération.



**Pour des raisons de sécurité, ne jouez pas pieds nus ou en chaussettes lorsque vous utilisez le pédalier.**

**THRUSTMASTER® DECLINE TOUTE RESPONSABILITE EN CAS DE BLESSURE SUITE A UNE UTILISATION DU PEDALIER SANS CHAUSSURES.**



### **Avertissement – Blessures dues au retour de force et aux mouvements répétitifs**

Jouer avec un volant à retour de force peut causer des douleurs aux muscles et aux articulations. Afin d'éviter tout problème :

- \* Evitez les périodes trop longues de jeu.
- \* Faites une pause de 10 à 15 minutes après chaque heure de jeu.
- \* Si vous éprouvez fatigue ou douleur au niveau des mains, des poignets, des bras, des pieds ou des jambes, cessez de jouer et reposez-vous pendant quelques heures avant de recommencer à jouer.



## **Avertissement – Blessures dues au retour de force et aux mouvements répétitifs (suite)**

- \* Si les symptômes ou les douleurs indiqués ci-dessus persistent lorsque vous reprenez le jeu, arrêtez de jouer et consultez votre médecin.
- \* Laissez hors de portée des enfants.
- \* Lors des phases de jeu, laissez toujours vos deux mains correctement positionnées sur le volant sans jamais le lâcher complètement.
- \* Lors des phases de jeu, ne placez jamais vos mains ou vos doigts sous les pédales ou à proximité du pédalier.
- \* Lors des phases de calibration et de jeu, ne jamais introduire une main ou un bras à l'intérieur de la roue du volant.
- \* Vérifiez que la base du volant est correctement fixée, conformément aux instructions du manuel.



Produit à manipuler uniquement par des personnes âgées de 16 ans ou plus

### **PRODUIT LOURD**



Ne pas laisser tomber le produit sur vous ou une autre personne

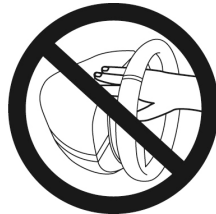
**TOUJOURS**



**JAMAIS**



**JAMAIS**







### **Avertissement – Risque de pincement au niveau du pédalier lors des phases de jeu**

- \* Laissez le pédalier hors de portée des enfants.
- \* Lors des phases de jeu, ne placez jamais vos doigts sur ou à proximité des côtés des pédales.
- \* Lors des phases de jeu, ne placez jamais vos doigts sur ou à proximité de la base arrière des pédales.
- \* Lors des phases de jeu, ne placez jamais vos doigts sur ou à proximité de la base avant des pédales.

**JAMAIS**



**JAMAIS**



**JAMAIS**



### **Avertissement – Risque de pincement au niveau du pédalier lorsque vous n'utilisez pas le pédalier**

- \* Placez le pédalier dans un endroit sûr et hors de portée des enfants.

## **METTRE A JOUR LE FIRMWARE DU VOLANT**

Le firmware inclus dans la base du volant peut être mis à jour (ce qui signifie qu'il peut être mis à jour par des versions plus récentes comportant des améliorations produits).

Pour afficher la version de firmware de votre volant et le mettre à jour si nécessaire : sur PC, allez sur <http://support.thrustmaster.com>, cliquez sur **Volants / T300 RS** puis **Firmware** et suivez les instructions et la procédure de téléchargement et d'installation.

## INSTALLATION DE LA ROUE SUR SA BASE

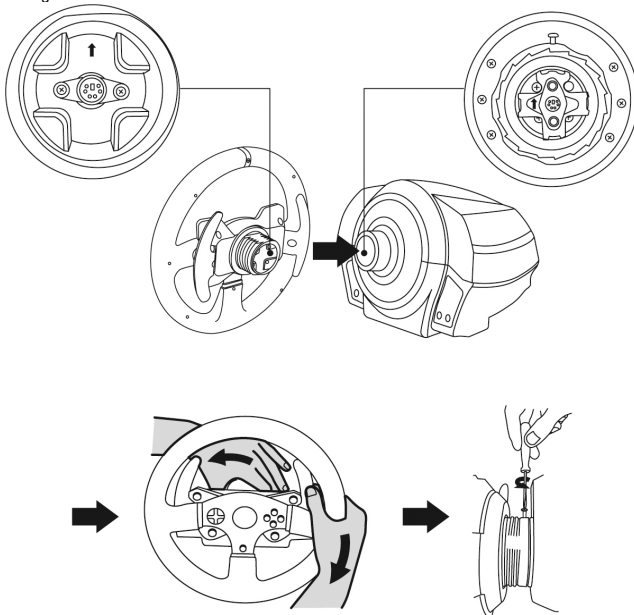
Alignez la position des connecteurs en vous aidant des flèches :

**Connecteur de la base (1):** Flèche vers le haut

**Connecteur de la roue (2):** Flèche vers le haut

Une fois les connecteurs mis en place, il vous suffit de tourner la bague du Thrustmaster Quick Release (12) dans le sens inverse des aiguilles d'une montre tout en maintenant la roue (2) fixe.

Puis serrez fortement (et au maximum) la bague en la maintenant fixe et en tournant le volant dans le sens des aiguilles d'une montre.



Lorsque la roue est installée, tournez-la de 180° (vu de face, le Logo GT doit être à l'envers) afin d'accéder à la petite vis de fixation située sur la bague du Thrustmaster Quick Release (12). A l'aide d'un gros tournevis cruciforme, vissez sans forcer la petite vis de fixation dans le sens des aiguilles d'une montre.

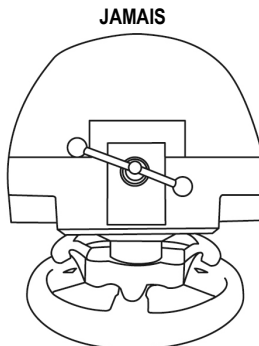
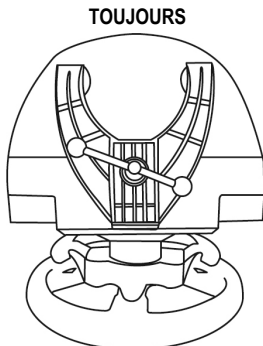


**Ne pas forcer lorsque vous revissez (à l'aide d'un tournevis cruciforme)  
la petite vis de fixation = arrêtez de visser dès que vous sentez une résistance.**

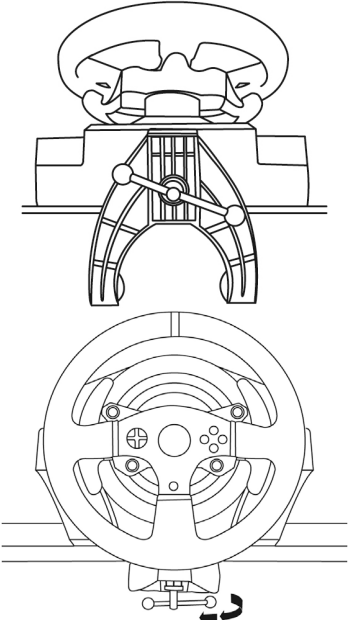
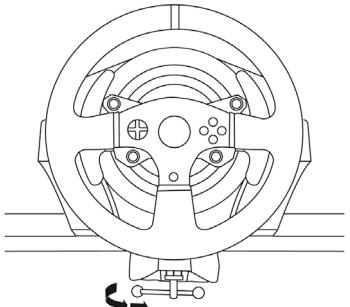
## FIXATION DU VOLANT

### Fixer le volant sur une table ou un bureau

1. Placez le volant sur une table ou autre surface plane.
2. Placez la vis de serrage (11) dans le système de fixation (10), puis vissez l'ensemble (dans le sens inverse des aiguilles d'une montre) dans le gros pas de vis (9) situé sous le volant, jusqu'à ce que ce dernier soit parfaitement stable.



**ATTENTION : Ne jamais visser la vis de serrage seule sans le système de fixation !  
(au risque de détériorer le volant).**

MONTAGE / DEMONTAGE	SENS
<p><b>Pour serrer :</b></p> <p><i>Vissez dans le sens inverse des aiguilles d'une montre</i></p>	
<p><b>Pour desserrer :</b></p> <p><i>Dévissez dans le sens des aiguilles d'une montre</i></p>	

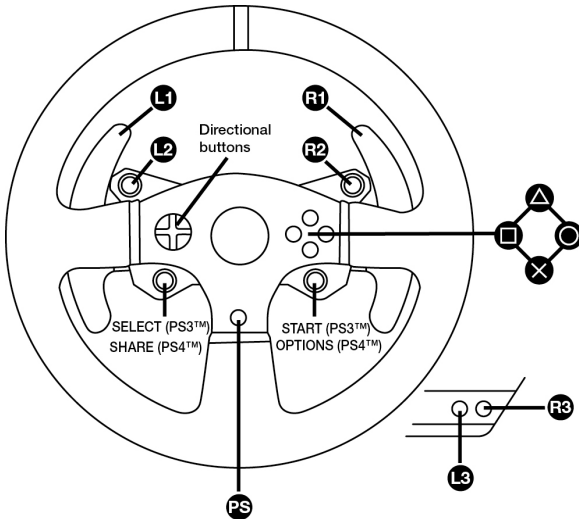
## Fixer la base du volant sur un cockpit

1. Placez la base du volant sur la tablette du cockpit
2. Vissez 2 vis M6 (non fournies) dans la tablette du cockpit et dans les 2 petits pas de vis situés sous le volant.

Important : La longueur de ces 2 vis M6 ne doit pas dépasser l'épaisseur de votre support +12 mm pour ne pas endommager les composants internes à la base.

3. Si nécessaire, vissez en plus le système de fixation classique (dans le gros pas de vis).

## MAPPING PLAYSTATION®3 ET PLAYSTATION®4



## INSTALLATION SUR PLAYSTATION®3 OU PLAYSTATION®4

1. Reliez le pédalier à son connecteur (17) situé à l'arrière de la base du volant.
2. Reliez le câble d'alimentation à son connecteur (14) situé à l'arrière de la base du volant.
3. Reliez le câble d'alimentation sur une prise de courant ayant le même voltage.



**Pour plus d'informations sur ce point, reportez-vous au chapitre RELIER LE VOLANT AU SECTEUR (p.3 de ce manuel).**

4. Positionnez le sélecteur USB (5) de la base du volant en position PS3™ ou PS4™ en fonction du système ou du jeu utilisé.
5. Branchez le connecteur USB (15) du volant sur l'un des ports USB du système.
6. Une fois votre système allumé, votre volant s'autocalibre de manière automatique.
7. Sur PlayStation®4 (lorsque le sélecteur USB est en position PS4™), appuyez sur le bouton PS (8) du volant, puis connectez-vous à votre compte Sony Entertainment Network pour que votre volant soit fonctionnel.

**Vous êtes maintenant prêt à jouer !**

### Remarques importantes :

- Le sélecteur USB (5) de la base du volant doit toujours être positionné dans la bonne position (PS3™ ou PS4™) avant de brancher l'USB du volant au système.  
Pour changer de position, débranchez le câble USB, puis changez la position du sélecteur avant de rebrancher le câble USB au système.

- Sur PlayStation®3, le sélecteur USB (5) doit toujours être en position PS3™ :

\* Le volant est reconnu dans la plupart des jeux comme un volant T500RS.

\* Le volant est fonctionnel dans les jeux compatibles et dans les menus du système.

\* La fonction PS est fonctionnelle sur le volant.

- Sur PlayStation®4, avec le sélecteur USB (5) en position PS3™ :

\* Le volant est reconnu dans la plupart des jeux comme un volant T500RS.

\* Le volant est fonctionnel dans les jeux compatibles mais pas dans les menus du système.

\* Les fonctions SHARE et PS ne sont pas fonctionnelles sur le volant.

- Sur PlayStation®4, avec le sélecteur USB (5) en position PS4™ :

\* N'oubliez pas d'appuyer sur bouton PS (8) du volant pour que celui-ci soit fonctionnel.

\* Le volant est reconnu dans la plupart des jeux comme un volant T300 RS.

\* Le volant est fonctionnel dans les jeux compatibles et dans les menus du système.

\* Les fonctions SHARE et PS sont fonctionnelles sur le volant.

- La liste des jeux PlayStation®3 et PlayStation®4 compatibles avec le T300 RS (ainsi que la position nécessaire du sélecteur USB en fonction du jeu utilisé) est disponible ici :

<http://support.thrustmaster.com> (dans la rubrique Volants / T300 RS / Paramètres de jeux).

*Cette liste est régulièrement mise à jour.*

# INSTALLATION SUR PC

## **Remarque importante :**

**Pour fonctionner sur PC, le sélecteur USB (5) de la base du volant doit toujours être en position PS3™.**

1. Allez sur <http://support.thrustmaster.com> pour télécharger les pilotes et le logiciel Force Feedback pour PC. Dans la section Mise à jour et téléchargement, cliquez sur Volants / T300 RS, puis Pilotes.
2. Une fois le téléchargement terminé, lancez l'installation, puis suivez les instructions affichées à l'écran pour brancher le connecteur USB du volant sur votre PC et pour terminer l'installation.
3. Une fois l'installation terminée, cliquez sur Terminer et redémarrez votre ordinateur.
4. Sélectionnez Démarrer / Tous les programmes / Thrustmaster / FFB Racing Wheel / Panneau de configuration pour ouvrir la fenêtre Contrôleurs de jeu.

La fenêtre Contrôleurs de jeu affiche le nom du volant Thrustmaster T300 RS Racing Wheel avec l'état OK.

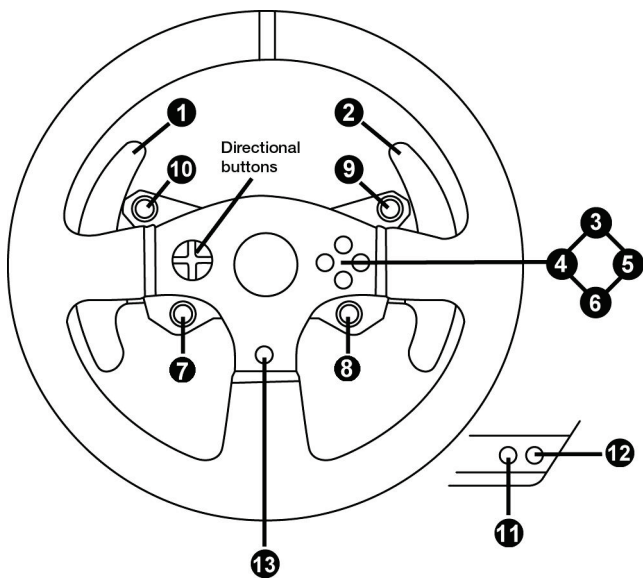
5. Cliquez sur Propriétés pour configurer votre volant dans le panneau de configuration du T300 RS :
- Onglet Test du périphérique : permet de tester et visualiser les boutons, la croix multidirectionnelle, les axes du volant et du pédalier, et d'ajuster l'angle de rotation du volant dans vos jeux PC.
  - Onglet Tester les forces : permet de tester 12 effets de retour de force.
  - Onglet Ajuster les forces : permet d'ajuster la puissance des effets de retour de force dans vos jeux PC.

Vous êtes maintenant prêt à jouer !

## Remarques générales :

- Sur PC, pensez à toujours fermer complètement la fenêtre Contrôleurs de jeu en cliquant sur OK avant de lancer votre jeu.
- Sur PC, les réglages et ajustements effectués dans la fenêtre Contrôleurs de jeu ne seront sauvegardés que sur votre PC (et n'auront donc aucune incidence sur PlayStation®3 ou PlayStation®4).
- La version du firmware de votre volant apparaît en haut à droite dans les onglets du panneau de configuration T300 RS.

# MAPPING PC



ENGLISH

ESPAÑOL

FRANÇAIS

PORTUGUÊS



## CALBRAGE AUTOMATIQUE DU VOLANT ET DES PEDALES

La roue du volant s'autocalibre de manière automatique une fois le volant relié au secteur et le connecteur USB connecté.

Cette opération entraîne des mouvements rapides du volant de gauche à droite sur 1080° avant de s'immobiliser au centre.



### **ATTENTION :**

**Lors des phases d'autocalibration de la roue du volant, ne jamais toucher au volant  
(au risque de fausser la calibration ou de se blesser).**

## CALBRAGE AUTOMATIQUE DES PEDALES

Ne jamais débrancher ou brancher le pédalier de la base du volant lorsque celui-ci est connecté au système ni en cours de jeu (pour ne pas fausser la calibration)

= le pédalier doit toujours être branché avant de relier le volant au système.

Une fois le volant autocalibré et le jeu lancé, les pédales se calibrent automatiquement après quelques pressions.



### **ATTENTION :**

**Lors des phases d'autocalibration de la roue du volant et lorsque votre jeu se lance,  
ne jamais appuyer sur les pédales  
(au risque de fausser la calibration)**

**Si votre volant et vos pédales ne fonctionnent pas correctement ou semblent mal calibrés :**

Eteignez votre système, déconnectez entièrement votre volant, reconnectez tous les câbles (avec le câble d'alimentation secteur et le pédalier), redémarrez et relancez votre jeu.

## CAPTEUR DE TEMPERATURE INTERNE

Le système de refroidissement du volant est composé d'un radiateur et d'un ventilateur.

- Un thermostat calcule la température interne du volant.
- En phase de jeu :
  - Le ventilateur de refroidissement se met en marche dès que le volant atteint un certain niveau de température (= après quelques minutes de jeu en fonction de la puissance des effets de retour de force utilisés).
  - La puissance des effets de retour de force diminue automatiquement dès que le volant atteint un niveau de température beaucoup plus élevé (afin de protéger le moteur). La puissance de ces effets remonte automatiquement dès que la température redescend légèrement.
- Après la phase de jeu, en raison de l'inertie thermique du moteur, le ventilateur de refroidissement reste en marche jusqu'à ce que la température redescende au niveau de mise en marche, le tout afin de faciliter le refroidissement et de protéger le moteur (= cela peut prendre de 5 à 45 mn en fonction du niveau de température atteint pendant la phase de jeu).

## BOUTON MODE ET SON VOYANT LUMINEUX (6)

### Bouton MODE pour le pédalier

Vous pouvez inverser électroniquement la pédale d'accélérateur et d'embrayage.

Pour ce faire, appuyez simplement sur le bouton MODE (6) pendant 2 secondes.

L'inversion ou non des pédales est alors instantanément enregistrée dans la mémoire interne du volant.

PEDALE D'ACCELERATEUR ET D'EMBAYAGE	Couleur du voyant lumineux MODE (6)
NORMALE	ROUGE
INVERSEE	VERT

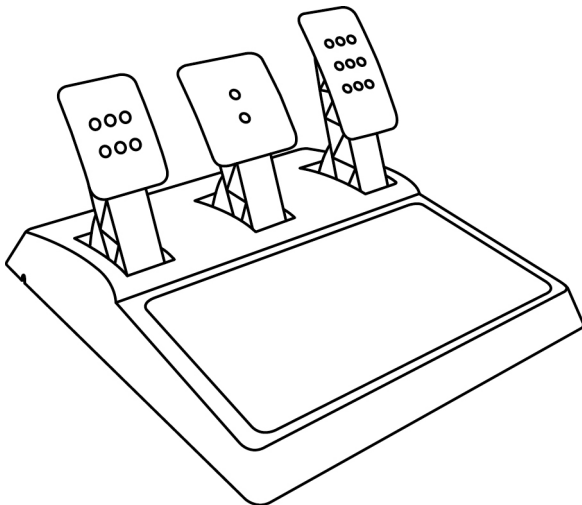
### Autres astuces pour le bouton MODE

Pour profiter d'autres astuces concernant le bouton MODE et son voyant lumineux, allez sur <http://support.thrustmaster.com>. Cliquez sur **Volants / T300 RS** puis **Manuel utilisateur** ou **FAQ**.

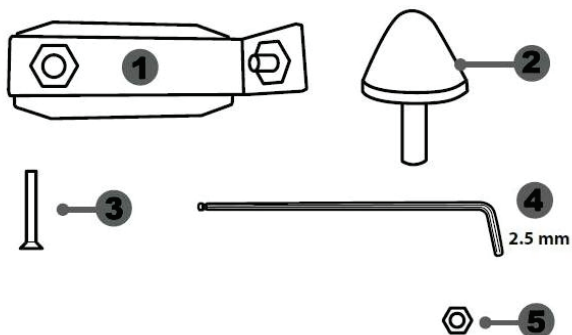
### AIDES & FAQ DIVERSES (non notifiées dans ce manuel)

Allez sur <http://support.thrustmaster.com>. Dans la section **Mise à jour et téléchargement**, cliquez sur **Volants / T300 RS** puis **Manuel utilisateur** ou **FAQ**.

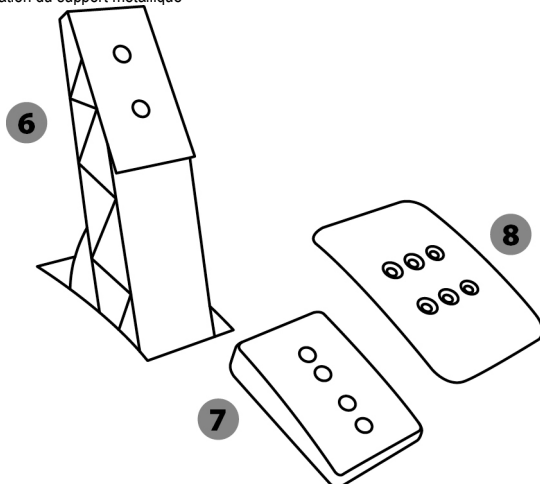
# PÉDALIER **T3PA – GT EDITION**



## CARACTERISTIQUES TECHNIQUES



- 1 Support métallique pour la butée conique  
(non installée par défaut)
- 2 Butée conique
- 3 Vis de fixation du support métallique
- 4 Clé Allen 2,5 mm fournie
- 5 Ecrou de réglage de position de la butée conique



- 6 Bras de pédale
- 7 Support de tête plastique
- 8 Tête métallique de pédale

## AVERTISSEMENT

Avant d'utiliser ce produit, lisez attentivement cette documentation et conservez-la pour pouvoir la consulter ultérieurement.



Pour des raisons de sécurité, ne jouez pas pieds nus ou en chaussettes lorsque vous utilisez le pédalier.

THRUSTMASTER® DECLINE TOUTE RESPONSABILITE EN CAS DE BLESSURE SUITE A UNE UTILISATION DU PEDALIER SANS CHAUSSURES.



**Avertissement – Risque de pincement au niveau du pédalier lors des phases de jeu**

- \* Laissez le pédalier hors de portée des enfants.
- \* Lors des phases de jeu, ne placez jamais vos doigts sur ou à proximité des côtés des pédales.
- \* Lors des phases de jeu, ne placez jamais vos doigts sur ou à proximité de la base arrière des pédales.
- \* Lors des phases de jeu, ne placez jamais vos doigts sur ou à proximité de la base avant des pédales.

**JAMAIS**



**JAMAIS**



**JAMAIS**



## CALIBRAGE AUTOMATIQUE DES PEDALES



### **IMPORTANT :**

- Ne branchez ou débranchez jamais le pédalier de la base du volant lorsque celui-ci est connecté au système ou au PC, ou en cours de jeu, pour ne pas fausser la calibration.
- = Branchez toujours le pédalier avant de relier le volant au système ou au PC.
  
- Une fois le volant autocalibré et le jeu lancé, les pédales se calibrent automatiquement après quelques pressions.
  
- Lors des phases d'autocalibration de la roue du volant et lorsque votre jeu se lance, n'appuyez jamais sur les pédales, au risque de fausser la calibration.
  
- Si vos pédales ne fonctionnent pas correctement ou semblent mal calibrées, éteignez votre système, déconnectez entièrement votre volant, reconnectez tous les câbles (y compris le câble d'alimentation secteur et le câble du pédalier), redémarrez le système et relancez votre jeu.

## FIXATION DU PEDALIER SUR UN COCKPIT

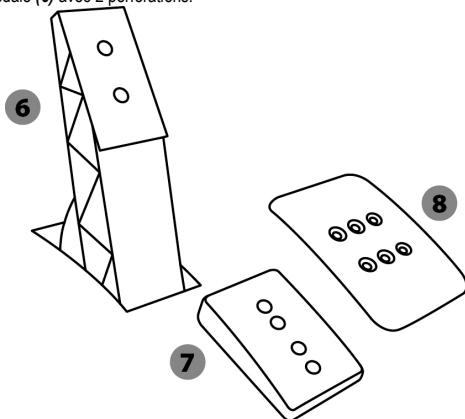
- Fixez le pédalier via les petits pas de vis situés sous ce dernier.
- Vissez 2 vis M6 (non fournies) dans la tablette du cockpit et dans les 2 petits pas de vis situés sous le pédalier.

**Important :** La longueur de ces 2 vis M6 ne doit pas dépasser l'épaisseur de votre support +10 mm pour ne pas endommager les composants internes du pédalier.

## REGLAGES DU PEDALIER

Chacune des 3 pédales comprend :

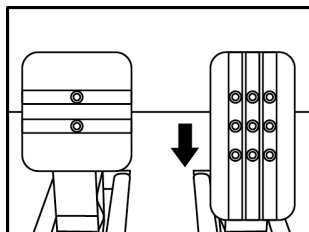
- Une tête métallique (8) avec plusieurs perforations (9 pour l'accélérateur – 2 pour le frein – 6 pour l'embrayage).
- Un support de tête plastique (7) (placé entre la tête et le bras) avec 4 perforations.
- Un bras de pédale (6) avec 2 perforations.



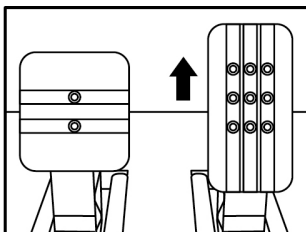
**ATTENTION :** Pour éviter tout problème de calibration, débranchez toujours le câble USB de votre volant avant d'effectuer des réglages sur votre pédalier.

### Ajuster la HAUTEUR de la pédale d'accélérateur

- A l'aide de la clé Allen 2,5 mm fournie (4), dévissez les 2 vis maintenant la tête métallique (8) et son support (7).
- Choisissez ensuite votre position en hauteur, puis revissez le tout.



Position basse (par défaut)

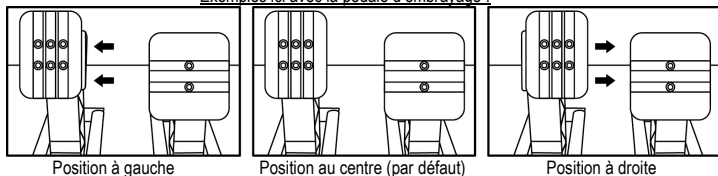


Position haute

## Ajuster l'ECARTEMENT

- A l'aide de la clé Allen 2,5 mm fournie (4), dévissez les 2 vis maintenant la tête métallique (8) et son support (7).
- Choisissez ensuite votre position (à gauche, au centre ou à droite), puis revissez le tout.

Exemples ici avec la pédale d'embrayage :



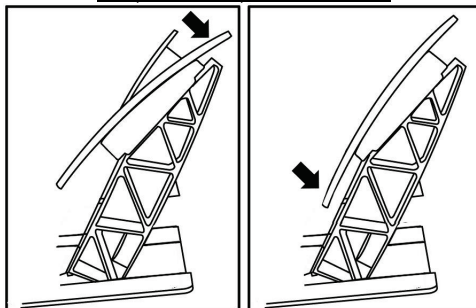
Nombre de positions en écartement possibles par pédale :

- 3 pour la pédale d'accélérateur
- 3 pour la pédale d'embrayage

## Ajuster l'INCLINAISON des pédales

- A l'aide de la clé Allen 2,5 mm fournie (4), dévissez les 2 vis maintenant la tête métallique (8) et son support (7).
- Retournez ensuite le support de tête plastique (7) de 180°, puis revissez le tout.

Exemples ici avec la pédale d'accélérateur :



Position moins inclinée      Position plus inclinée (par défaut)

Nombre de positions d'inclinaison possibles par pédale :

- 2 pour la pédale d'accélérateur
- 2 pour la pédale de frein
- 2 pour la pédale d'embrayage

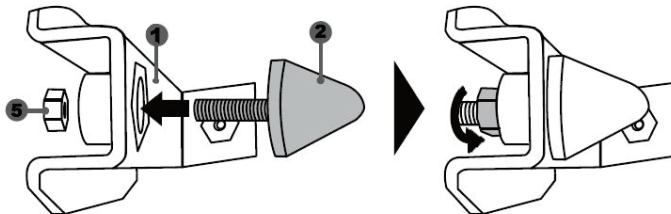


## Installer la butée conique (MOD « CONICAL RUBBER BRAKE »)

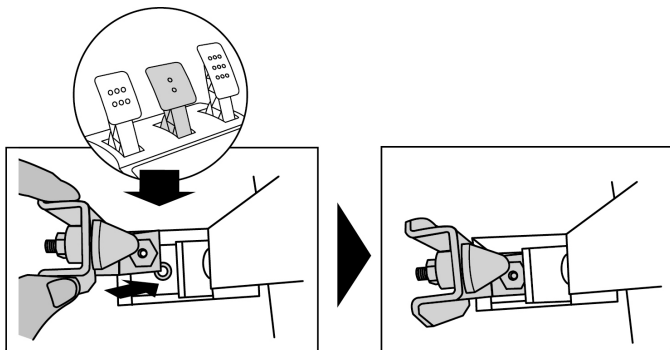
Ce MOD n'est pas obligatoire et n'est pas installé par défaut. Cela signifie que la pédale de frein fonctionne parfaitement même si le MOD n'est pas installé.

Ce MOD permet d'apporter un feeling et une résistance différents lors des freinages. Il appartiendra à chacun de l'installer ou non en fonction de ses préférences.

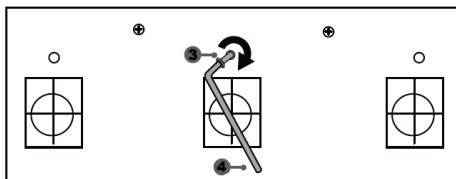
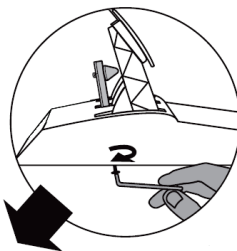
- Vissez la butée conique (2) sur son support métallique (1).
- Vissez l'écrou de réglage de position (5) à l'arrière (sur le pas de vis de la butée conique).



- Positionnez l'ensemble à l'arrière du bras de la pédale de frein.



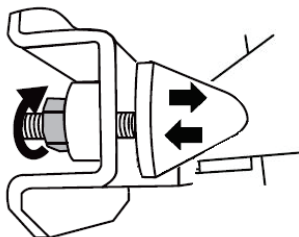
- A l'aide de la clé Allen 2,5 mm fournie (4), fixez l'ensemble en utilisant la vis de fixation (3) et le petit pas de vis central situé sous le pédalier.



**Le MOD « CONICAL RUBBER BRAKE » est désormais installé !**

### Ajuster la COURSE de débattement et la FORCE de résistance de la pédale de frein

En dévissant légèrement l'écrou (5), vous pouvez également durcir davantage la résistance de la pédale de frein en rapprochant la butée conique (2) de l'arrière du bras de la pédale (utilisez si nécessaire une clé de 14 ou une pince pour resserrer l'écrou et maintenir la position souhaitée). Plus la butée conique sera proche de l'arrière du bras de la pédale, plus la résistance sera élevée.



**Remarque :** Lorsque la butée conique est très proche de l'arrière du bras de la pédale de frein, vous pouvez avoir des difficultés à atteindre la valeur maximale de calibration. Dans ce cas :

- \* Appuyez –lentement– très fortement sur la pédale de frein pour atteindre la valeur maximale (si nécessaire, mettez-vous debout un court instant sur la pédale), puis relâchez la pression.
- \* Ou éloignez légèrement la butée conique de l'arrière du bras.

## **INFORMATIONS RELATIVES A LA GARANTIE AUX CONSOMMATEURS**

Dans le monde entier, Guillemot Corporation S.A., ayant son siège social Place du Granier, B.P. 97143, 35571 Chantepite, France (ci-après « Guillemot ») garantit au consommateur que le présent produit Thrustmaster est exempt de défaut matériel et de vice de fabrication, et ce, pour une période de garantie qui correspond au délai pour intenter une action en conformité de ce produit. Dans les pays de l'Union Européenne, ce délai est de deux (2) ans à compter de la délivrance du produit Thrustmaster. Dans les autres pays, la durée de la période de garantie correspond au délai pour intenter une action en conformité du produit Thrustmaster selon la législation en vigueur dans le pays où le consommateur avait son domicile lors de l'achat du produit Thrustmaster (si une telle action en conformité n'existe pas dans ce pays alors la période de garantie est de un (1) an à compter de la date d'achat d'origine du produit Thrustmaster).

Nonobstant ce qui précède, les batteries sont garanties six (6) mois à compter de la date d'achat d'origine.

Si, au cours de la période de garantie, le produit semble défectueux, contactez immédiatement le Support Technique qui vous indiquera la procédure à suivre. Si le défaut est confirmé, le produit devra être retourné à son lieu d'achat (ou tout autre lieu indiqué par le Support Technique).

Dans le cadre de la garantie, le consommateur bénéficiera, au choix du Support Technique, d'un remplacement ou d'une remise en état de marche du produit défectueux. Si, pendant la période de garantie, le produit Thrustmaster fait l'objet d'une telle remise en état, toute période d'immobilisation d'au moins sept jours vient s'ajouter à la durée de la garantie qui restait à courir (cette période court à compter de la demande d'intervention du consommateur ou de la mise à disposition pour remise en état du produit en cause, si cette mise à disposition est postérieure à la demande d'intervention). Lorsque la loi applicable l'autorise, toute responsabilité de Guillemot et ses filiales (y compris pour les dommages indirects) se limite à la remise en état de marche ou au remplacement du produit Thrustmaster. Lorsque la loi applicable l'autorise, Guillemot exclut toutes garanties de qualité marchande ou d'adaptation à un usage particulier.

Cette garantie ne s'appliquera pas : (1) si le produit a été modifié, ouvert, altéré, ou a subi des dommages résultant d'une utilisation inappropriée ou abusive, d'une négligence, d'un accident, de l'usure normale, ou de toute autre cause non liée à un défaut matériel ou à un vice de fabrication (y compris, mais non limitativement, une combinaison du produit Thrustmaster avec tout élément inadapté, notamment alimentations électriques, batteries, chargeurs, ou tous autres éléments non-fournis par Guillemot pour ce produit) ; (2) si le produit a été utilisé en dehors du cadre privé, à des fins professionnelles ou commerciales (salles de jeu, formations, compétitions, par exemple). (3) en cas de non respect des instructions du Support Technique ; (4) aux logiciels, lesdits logiciels faisant l'objet d'une garantie spécifique ; (5) aux consommables (éléments à remplacer pendant la durée de vie du produit : piles, coussinets de casque audio, par exemple) ; (6) aux accessoires (câbles, étuis, housses, sacs, dragonnes, par exemple) ; (7) si le produit a été vendu aux enchères publiques.

Cette garantie n'est pas transférable.

Les droits légaux du consommateur au titre de la législation applicable dans son pays à la vente de biens de consommation ne sont pas affectés par la présente garantie.

### **Stipulations additionnelles à la garantie**

Pendant la période de garantie, Guillemot ne fournira, en principe, pas de pièce détachée car le Support Technique est seul habilité tant à ouvrir qu'à remettre en état tout produit Thrustmaster (à l'exception des remises en état que le Support Technique demanderait, par instructions écrites, au consommateur d'effectuer - par exemple en raison de la simplicité et de l'absence de confidentialité du processus de remise en état -, en lui fournissant, le cas échéant, la ou les pièces détachées nécessaires).

Compte tenu de ses cycles d'innovation et pour préserver ses savoir-faire et secrets, Guillemot ne fournira, en principe, ni notice de remise en état, ni pièce détachée pour tout produit Thrustmaster dont la période de garantie est expirée.

Aux États-Unis d'Amérique et au Canada, la présente garantie est limitée au mécanisme interne et au boîtier externe du produit. En aucun cas, Guillemot ou ses sociétés affiliées ne sauraient être tenues responsables envers qui que ce soit de tous dommages indirects ou dommages accessoires résultant du non respect des garanties expresses ou implicites. Certains États/Provinces n'autorisent pas la limitation sur la durée d'une garantie implicite, ou l'exclusion ou la limitation de responsabilité pour les dommages indirects ou accessoires, de sorte que les limitations ou exclusions ci-dessus peuvent ne pas vous être applicables. Cette garantie vous confère des droits spécifiques ; vous pouvez également bénéficier d'autres droits qui peuvent différer d'un État/Province à l'autre.

### Responsabilité

Lorsque la loi applicable l'autorise, Guillemot Corporation S.A. (ci-après « Guillemot ») et ses filiales excluent toute responsabilité pour tous dommages causés par un ou plusieurs des faits suivants: (1) le produit a été modifié, ouvert, altéré, (2) l'irrespect des instructions de montage, (3) l'utilisation inappropriée ou abusive, la négligence, l'accident (un choc, par exemple), (4) l'usure normale du produit, (5) l'utilisation du produit en dehors du cadre privé, à des fins professionnelles ou commerciales (salles de jeu, formations, compétitions, par exemple). Lorsque la loi applicable l'autorise, Guillemot et ses filiales excluent toute responsabilité pour tout dommage dont la cause n'est pas liée à un défaut matériel ou à un vice de fabrication du produit (y compris, mais non limitativement, tout dommage causé directement ou indirectement par tout logiciel, ou par une combinaison du produit Thrustmaster avec tout élément inadapté, notamment alimentations électriques, batteries, chargeurs, ou tous autres éléments non-fournis par Guillemot pour ce produit).

**THRUSTMASTER®**

**SUPPORT TECHNIQUE**

<http://support.thrustmaster.com>



## Déclaration de conformité

### UTILISATEURS CANADIENS :

Cet appareil numérique de la classe B respecte toutes les exigences du Règlement sur le matériel brouilleur du Canada.

### COPYRIGHT

© 2017 Guillemot Corporation S.A. Tous droits réservés. Thrustmaster® est une marque déposée de Guillemot Corporation S.A.

Fabriqué et distribué par Guillemot Corporation S.A. sous licence de Sony Interactive Entertainment America LLC. PlayStation, le logo PS Family, PS3, PS4 et "△OX□" sont des marques de Sony Interactive Entertainment Inc. Tous droits réservés.

Toutes les autres marques déposées et noms commerciaux sont reconnus par les présentes et sont la propriété de leurs propriétaires respectifs. Illustrations non contractuelles. Le contenu, la conception et les spécifications sont susceptibles de changer sans préavis et de varier selon les pays. Fabriqué en Chine.

### RECOMMANDATION RELATIVE A LA PROTECTION DE L'ENVIRONNEMENT

Veuillez vous reporter aux législations locales relatives au recyclage des équipements électriques et électroniques.

Informations à conserver. Les couleurs et décorations peuvent varier.

Il est recommandé de retirer les attaches en plastique et les adhésifs avant d'utiliser le produit.

[www.thrustmaster.com](http://www.thrustmaster.com)

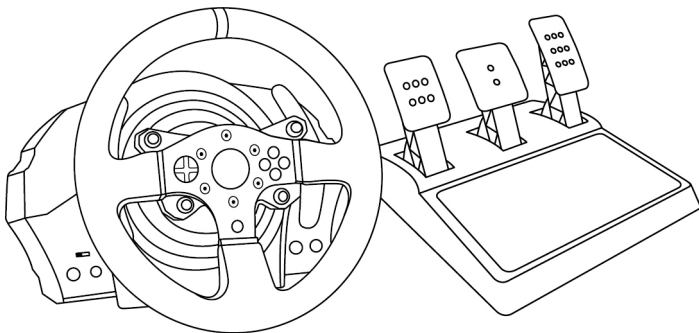


# T300 RS

## GT Edition

PARA SISTEMAS PLAYSTATION®3 – PLAYSTATION®4

Manual del usuario



### **ADVERTENCIA:**

Para asegurarte de que tu volante de carreras T300 funcione correctamente con juegos para sistemas PlayStation®3 o PlayStation®4, puede que tengas que instalar las actualizaciones automáticas de los juegos (*disponibles cuando tu consola está conectada a Internet*).

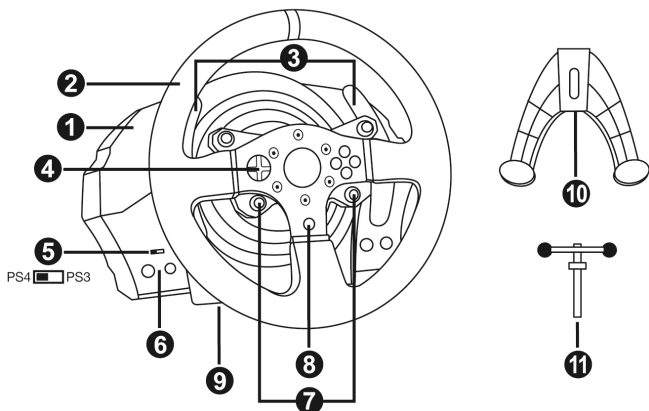
ENGLISH

ESPAÑOL

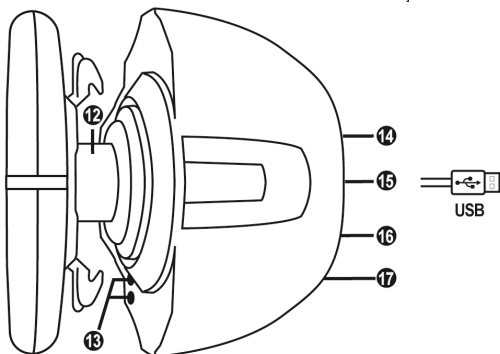
FRANÇAIS

PORTUGUÊS

## CARACTERÍSTICAS TÉCNICAS



- |   |  |
|---|--|
| <p>1 Base de T300 RS</p> <p>2 Volante T300 GT</p> <p>3 2 levas de cambio secuenciales (Up y Down)</p> <p>4 D-Pad multidireccional</p> <p>5 Interruptor selector de USB de PS4™ o PS3™</p> <p>6 Botón MODE + luz indicadora roja/verde</p> | <p>7 Botones SELECT/START en PS3™ y SHARE/OPTIONS en PS4™</p> <p>8 Botón PS</p> <p>9 Agujero roscado grande (para sistema de fijación y tornillo de apriete)</p> <p>10 Sistema de fijación</p> <p>11 Tornillo de fijación metálico</p> |
|---|--|



- |  |   |
|--|---|
| <p>12 Thrustmaster Quick Release</p> <p>13 Botones L3/R3</p> <p>14 Conector de fuente de alimentación (tipo A o B) (varia de un país a otro)</p> | <p>15 Conector y cable USB del volante de carreras</p> <p>16 Conector del cambio de marchas (caja de cambios) (se vende por separado)</p> <p>17 Conector de los pedales</p> |
|--|---|

## ¡CONEXIÓN DEL VOLANTE DE CARRERAS A UN ENCHUFE ELÉCTRICO: LEER ANTES DE CONTINUAR!

La fuente de alimentación del volante de carreras varía en función del país en el que hayas comprado el dispositivo.

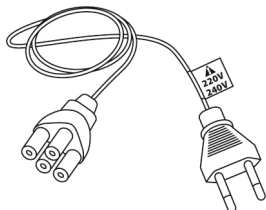
La fuente de alimentación puede ser:

### Interna, con:

\* Una unidad de fuente de alimentación situada directamente en el interior de la base del volante de carreras, con un conector de tipo A.

\* Un cable de fuente de alimentación de 220-240 V.

= compatible sólo con un suministro eléctrico de 220-240 V.



**!!! No conectes nunca el cable de 220-240 V a un enchufe eléctrico de 100-130 V!!!**  
**!!! No conectes nunca este cable a un adaptador de corriente eléctrica!!!**

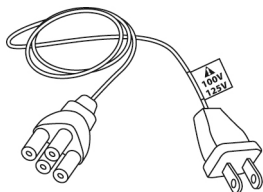


### Interna, con:

\* Una unidad de fuente de alimentación situada directamente en el interior de la base del volante de carreras, con un conector de tipo A.

\* Un cable de fuente de alimentación de 100-125 V.

= compatible sólo con un suministro eléctrico de 100-125 V.



**!!! No conectes nunca el cable de 100-125 V a un enchufe eléctrico de 220-240 V!!!**  
**!!! No conectes nunca este cable a un adaptador de corriente eléctrica!!!**



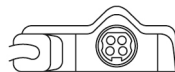
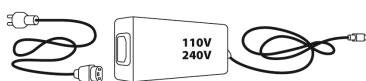
**¡IMPORTANTE: Si no sabes qué tensión se suministra en la zona en la que estás usando el volante de carreras, consulta a tu suministrador eléctrico local.**

### Externo, con:

\* Una unidad de fuente de alimentación externa, con un conector de tipo B.

\* Un cable de fuente de alimentación.

= compatible con todas las tensiones eléctricas, a partir de 110-240 V.





## ADVERTENCIAS

Antes de utilizar este producto, lee detenidamente este manual y consérvalo para consultarlo posteriormente.



### **Advertencia – Descarga eléctrica**

- \* Mantén el producto en un lugar seco y no lo expongas al polvo ni a la luz directa del sol.
- \* No retuerzas ni tires de los conectores ni de los cables.
- \* No derrames líquidos en el producto ni en sus conectores.
- \* No cortocircuites el producto.
- \* No desmontes nunca el producto ni lo lances al fuego ni lo expongas a temperaturas elevadas.
- \* No utilices otro cable de fuente de alimentación distinto del proporcionado con el volante de carreras.
- \* No utilices el cable de fuente de alimentación si el cable o los conectores están dañados, partidos o rotos.
- \* Asegúrate de que el cable de fuente de alimentación esté enchufado correctamente en un enchufe eléctrico, y conectado correctamente al conector de la parte trasera de la base del volante de carreras.
- \* No abras el volante de carreras: en el interior no hay piezas que el usuario pueda arreglar. Las reparaciones las debe realizar el fabricante, su representante autorizado o un técnico cualificado.
- \* Utiliza únicamente sistemas de fijación/accesorios especificados por el fabricante.
- \* Si el volante de carreras se comporta de forma anormal (si emite sonidos anormales, calor u olores), deja de utilizarlo inmediatamente, desenchufa el cable de fuente de alimentación del enchufe eléctrico y desconecta los demás cables.
- \* Si no vas a utilizar el volante de carreras durante un período de tiempo prolongado, desenchufa su cable de fuente de alimentación del enchufe eléctrico.



### **Rejillas de ventilación**

Asegúrate de no bloquear ninguna de las rejillas de ventilación de la base del volante de carreras. Para obtener una ventilación óptima, respeta los puntos siguientes:

- \* Coloca la base del volante al menos a 10 cm de distancia de las paredes.
- \* No coloques la base en espacios estrechos.
- \* No tapes la base.
- \* No dejes que se acumule polvo en las rejillas de ventilación.



**Por razones de seguridad, no uses nunca los pedales con los pies descalzos o únicamente con calcetines en los pies.**

**THRUSTMASTER® DECLINA TODA RESPONSABILIDAD EN CASO DE LESIONES PRODUCTO DEL USO DE LOS PEDALES SIN CALZADO.**



### **Advertencia – Lesiones debidas al Force Feedback y los movimientos repetitivos**

Jugar con un volante con Force Feedback puede producir dolor en las articulaciones o en los músculos. Para evitar problemas:

- \* Evita jugar durante períodos prolongados.
- \* Haz descansos de 10 a 15 minutos por cada hora de juego.
- \* Si sientes fatiga o dolor en las manos, muñecas, brazos, pies o piernas, deja de jugar y descansa durante unas horas antes de volver a jugar.



**Advertencia – Lesiones debidas a Force Feedback y los movimientos repetitivos (continuación)**

- \* Si los síntomas o el dolor indicados anteriormente persisten cuando vuelves a jugar, deja de hacerlo y consulta al médico.
- \* Mantén el volante fuera del alcance de los niños.
- \* Durante el juego, mantén siempre ambas manos colocadas correctamente en el volante sin dejarlas completamente caídas.
- \* Mientras estés jugando, no coloques nunca las manos ni los dedos debajo de los pedales, ni tampoco cerca de ellos.
- \* Durante la calibración y el juego, no metas nunca las manos ni los brazos a través de las aberturas del volante de carreras.
- \* Asegúrate de que la base del volante de carreras esté fijada correctamente, según las instrucciones de este manual.



El producto sólo puede ser manejado por usuarios de 16 años de edad como mínimo

**PRODUCTO PESADO**



¡Ten cuidado de no dejar caer el producto encima de ti o de otra persona!

**SIEMPRE**



**NUNCA**



**NUNCA**





### **Advertencia – Peligro de pillarse los dedos con los pedales mientras se juega**

- \* Mantén los pedales fuera del alcance de los niños.
- \* Cuando juegues, no pongas nunca los dedos en los lados de los pedales ni cerca de ellos.
- \* Cuando juegues, no pongas nunca los dedos sobre la base trasera de los pedales ni cerca de ella.
- \* Cuando juegues, no pongas nunca los dedos sobre la base delantera de los pedales ni cerca de ella.

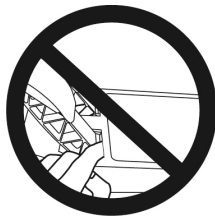
**NUNCA**



**NUNCA**



**NUNCA**



### **Advertencia – Peligro de pillarse los dedos con los pedales cuando no se juega**

- \* Guarda los pedales en un lugar seguro y lejos del alcance de los niños.

## **ACTUALIZACIÓN DEL FIRMWARE DEL VOLANTE DE CARRERAS**

El firmware incluido en la base del volante de carreras se puede actualizar a una versión más reciente que incluya mejoras del producto.

Para mostrar la versión de firmware que está usando actualmente tu volante de carreras y actualizarla si es necesario: en PC, visita <http://support.thrustmaster.com>. Haz clic en **Volantes de carreras / T300 RS**, después selecciona **Firmware** y sigue las instrucciones que describen el procedimiento de descarga e instalación.

## INSTALACIÓN DEL VOLANTE DE CARRERAS EN SU BASE

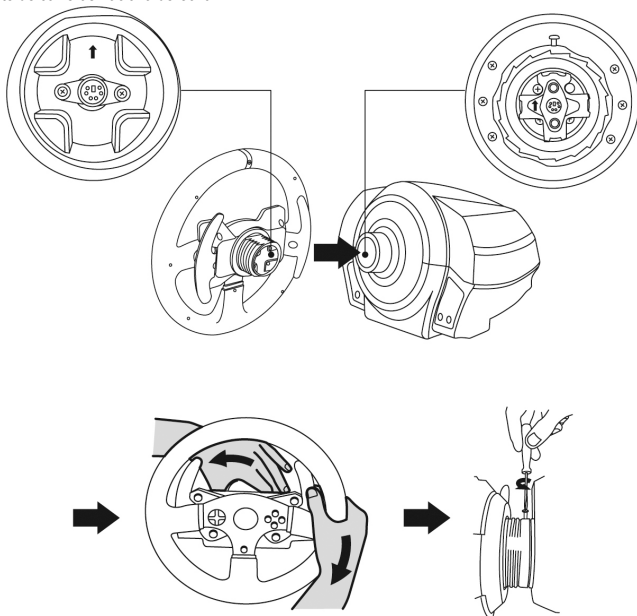
Alinea las posiciones de los conectores usando las flechas:

**Conector de la base (1):** Flecha apuntando hacia arriba

**Conector del volante de carreras (2):** Flecha apuntando hacia arriba

Una vez que los conectores estén colocados correctamente, simplemente gira el anillo del dispositivo Thrustmaster Quick Release (12) hacia la izquierda, mientras sostienes el volante de carreras (2) en su posición.

A continuación, aprieta el anillo todo lo que puedas: para ello, mantén el anillo en su posición y gira el volante de carreras hacia la derecha.



Una vez que hayas instalado el volante de carreras, gíralo 180° (cuando mires al volante, el logotipo de GT debería estar al revés) para acceder al pequeño tornillo de fijación situado en el anillo del dispositivo Thrustmaster Quick Release (12). Con un destornillador Phillips para apretar el tornillo de fijación (no utilices una fuerza excesiva), gíralo hacia la derecha.



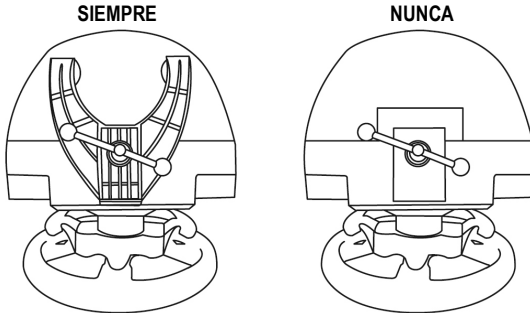
**¡No utilices una fuerza excesiva cuando aprietes el pequeño tornillo de fijación (usando un destornillador Phillips)!**

**Deja de girar el tornillo en cuanto notes algo de resistencia.**

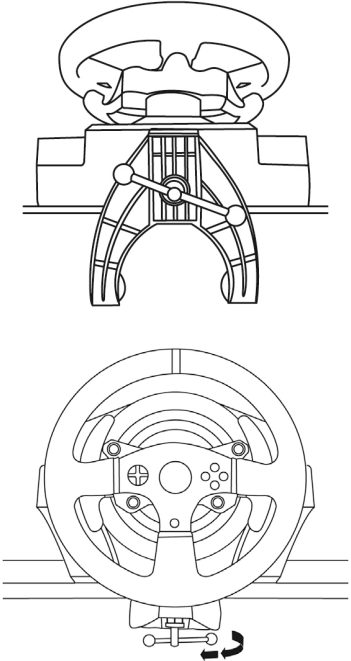
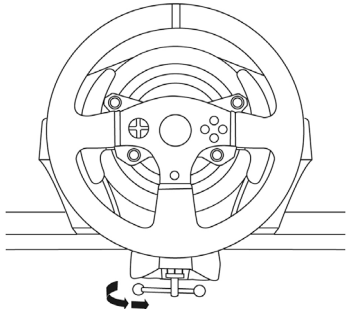
## FIJACIÓN DEL VOLANTE DE CARRERAS

### Fijación del volante de carreras a una mesa o un escritorio

1. Coloca el volante de carreras en una mesa o en otra superficie horizontal, plana y estable.
2. Inserta el tornillo de sujeción **(11)** en el sistema de fijación **(10)** y, a continuación, aprieta el dispositivo girando el tornillo a la izquierda, para que entre en el agujero roscado grande **(9)** situado debajo del volante de carreras, hasta que el volante esté perfectamente estable.



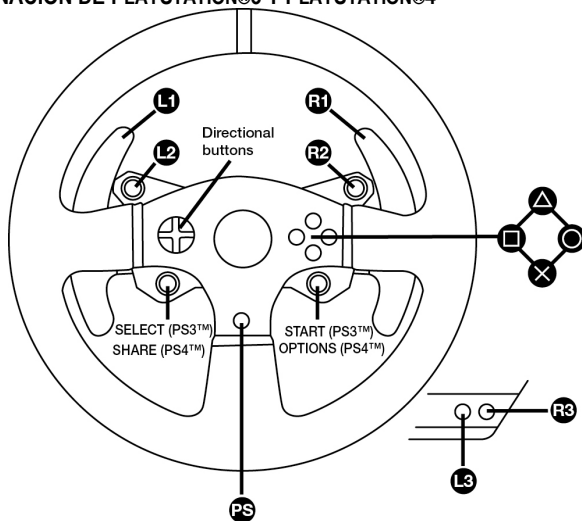
**ADVERTENCIA:** ¡No aprietes nunca el tornillo solo, sin el sistema de fijación en su sitio!  
(De hacerlo así, se podría dañar el volante).

COLOCACIÓN / RETIRADA	INDICACIÓN
<p><b>Para apretar:</b></p> <p><i>Gira el tornillo hacia la izquierda</i></p>	
<p><b>Para aflojar:</b></p> <p><i>Gira el tornillo hacia la derecha</i></p>	

## Fijación de la base del volante de carreras a una cabina

1. Coloca la base del volante de carreras en el estante de la cabina.
2. Pasa dos tornillos M6 (no incluidos) a través del estante de la cabina e insértalos en los dos agujeros roscados pequeños situados en la cara inferior del volante de carreras.  
*Importante:* La longitud de los dos tornillos M6 no debe exceder el grosor del estante + 12 mm; tornillos más largos podrían dañar los componentes internos situados en la base del volante de carreras.
3. Si es necesario, aprieta el sistema de fijación estándar insertando el tornillo de sujeción en el agujero roscado grande.

## ASIGNACIÓN DE PLAYSTATION®3 Y PLAYSTATION®4



## CONFIGURACIÓN DEL VOLANTE DE CARRERAS PARA PLAYSTATION®3 O PLAYSTATION®4

1. Conecta los pedales al conector (17) situado en la parte trasera de la base del volante de carreras.
2. Conecta el cable de fuente de alimentación al conector (14) situado en la parte trasera de la base del volante de carreras.
3. Enchufa el cable de fuente de alimentación a un enchufe eléctrico con las mismas especificaciones de tensión.



**Para más información sobre esto, consulta la sección CONEXIÓN DEL VOLANTE DE CARRERAS A UN ENCHUFE ELÉCTRICO, en la página 3 de este manual.**

4. Pon el interruptor selector de USB (5) de la base del volante de carreras en la posición PS3™ o PS4™, en función de la consola o el juego que estés usando.
5. Conecta el conector USB del volante de carreras (15) a uno de los puertos USB de la consola.
6. Una vez encendida la consola, el volante de carreras se calibrará solo automáticamente.
7. En PlayStation®4 (cuando el interruptor selector de USB está puesto en la posición de PS4™): pulsa el botón PS del volante (8) e inicia sesión en tu cuenta Sony Entertainment Network para poder usar el volante.

***¡Ya estás preparado para jugar!***

### **Notas importantes:**

- El interruptor selector USB (5) de la base del volante de carreras siempre debe ponerse en la posición adecuada (PS3™ o PS4™) antes de conectar el cable USB del volante a la consola. Para cambiar la posición del interruptor selector, desconecta el cable USB de la consola y, a continuación, cambia la posición del interruptor antes de volver a conectar el cable USB a la consola.

- En PlayStation®3, el interruptor selector de USB (5) siempre debe ponerse en la posición PS3™:

- \* El volante se reconoce en la mayoría de los juegos como un volante T500RS.
- \* El volante está operativo en los juegos compatibles y en los menús de la consola.
- \* La función "PS" está operativa en el volante.

- En PlayStation®4, con el interruptor selector de USB (5) en la posición PS3™:

- \* El volante se reconoce en la mayoría de los juegos como un volante T500RS.
- \* El volante está operativo en los juegos compatibles, pero no en los menús de la consola.
- \* Las funciones "SHARE" y "PS" no están operativas en el volante.

- En PlayStation®4, con el interruptor selector de USB (5) en la posición PS4™:

- \* No olvides pulsar el botón PS del volante de carreras (8) para poder usar el volante.
- \* El volante se reconoce en la mayoría de los juegos como un volante T300 RS.
- \* El volante está operativo en los juegos compatibles y en los menús de la consola.
- \* Las funciones "SHARE" y "PS" están operativas en el volante.

- La lista de juegos de PlayStation®3 y PlayStation®4 compatibles con el T300 RS (junto con la posición requerida del interruptor selector de USB (5) según el juego que se esté jugando) está disponible en:

<http://support.thrustmaster.com>

(haz clic en Volantes de carreras / T300 RS / Configuración de juegos).

*Esta lista se actualiza regularmente.*



## CONFIGURACIÓN DEL VOLANTE DE CARRERAS PARA PC

### **Nota importante:**

En PC, el interruptor deslizante de USB (5) de la base del volante de carreras siempre debe estar puesto en la posición PS3™.

1. Dirígete a <http://support.thrustmaster.com> para descargar los controladores y el software de Force Feedback para PC. Haz clic en Volantes de carreras / T300 RS y, a continuación, selecciona Drivers.
2. Una vez terminada la descarga, inicia la instalación y sigue las instrucciones en pantalla para conectar la clavija USB del volante al ordenador y terminar la instalación.
3. Una vez completada la instalación, haz clic en Terminar y reinicia el ordenador.
4. Selecciona Inicio / Todos los programas / Thrustmaster / FFB Racing Wheel / Panel de control para abrir la ventana Dispositivos de juego.

La ventana Dispositivos de juego muestra el nombre del volante de carreras T300 RS Racing Wheel con el estado OK.

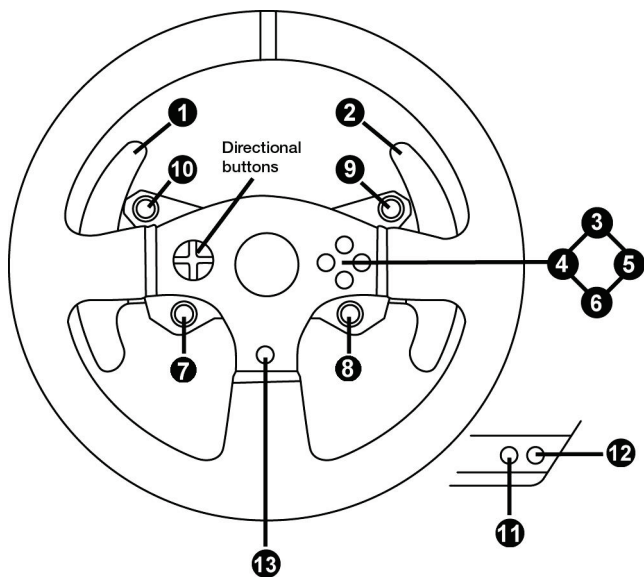
5. Haz clic en Propiedades para configurar el volante en el panel de control del T300 RS:

- Pestaña Test Input: permite probar y ver los botones de acción, botones de dirección, ejes del volante y los pedales, y ajustar el ángulo de rotación del volante en los juegos de PC.
- Pestaña Test Forces: permite probar los 12 efectos Force Feedback.
- Pestaña Gain Settings: permite ajustar la potencia de los efectos Force Feedback en los juegos de PC.

### ***¡Ya estás preparado para jugar!***

#### **Notas generales:**

- En PC, haz clic en Aceptar para cerrar la ventana Dispositivos de juego antes de ejecutar el juego.
- En PC, los ajustes realizados en la ventana Dispositivos de juego sólo se guardarán en el ordenador (por lo tanto no tendrán efecto en PlayStation®3 ni en PlayStation®4).
- La versión del firmware del volante se muestra en la esquina superior derecha de las pestañas del panel de control del T300 RS.



## CALIBRACIÓN AUTOMÁTICA DEL VOLANTE Y DE LOS PEDALES

El volante de carreras se calibra solo automáticamente cuando enchufas el volante de carreras a la red eléctrica y conectas el conector USB del volante de carreras a la consola.

Durante esta fase, el volante de carreras girará rápidamente hacia la izquierda y la derecha, cubriendo un ángulo de 1080 grados, antes de detenerse en el centro.



### **ADVERTENCIA:**

**¡No toques nunca el volante de carreras durante la fase de autocalibración!  
(Esto podría provocar una calibración incorrecta o lesiones personales).**

## CALIBRACIÓN AUTOMÁTICA DE LOS PEDALES

No conectes nunca los pedales a la base del volante (ni los desconectes de la base) cuando esté conectada a la consola o durante el juego (esto podría provocar una calibración incorrecta).

Conecta siempre los pedales antes de conectar el volante de carreras a la consola.

Una vez que se ha realizado la calibración del volante de carreras y el juego se ha ejecutado, los pedales se calibran automáticamente tras presionarlos unas cuantas veces.



### **ADVERTENCIA:**

**No pises nunca los pedales durante la fase de autocalibración del volante de carreras ni mientras se está cargando un juego!  
(Esto podría provocar una calibración incorrecta).**

**Si el volante de carreras y los pedales no funcionan correctamente o la calibración parece incorrecta:**

Apaga la consola, desconecta por completo el volante de carreras, vuelve a conectar todos los cables (utilizando el cable de fuente de alimentación y los pedales) y reinicia la consola y el juego.

## SENSOR DE TEMPERATURA INTERNO

El sistema de refrigeración del volante se compone de un disipador de calor y un ventilador.

- Un termostato calcula la temperatura interna del volante.
- Cuando estés utilizando el volante en un juego:
  - El ventilador de refrigeración se pone en marcha cuando el volante ha alcanzado una determinada temperatura (tras unos minutos de juego, dependiendo de la potencia de los efectos Force Feedback utilizados).
  - La potencia de los efectos Force Feedback disminuye automáticamente en cuanto el volante alcanza un nivel de temperatura mucho más alto (para proteger el motor). La potencia de esos efectos aumenta automáticamente en cuanto se reduce ligeramente la temperatura.
- Cuando has terminado de jugar: debido a la inercia térmica del motor, el ventilador de refrigeración continúa funcionando hasta que la temperatura desciende por debajo del nivel inicial del ventilador. El volante se ha diseñado de esta manera para facilitar la refrigeración y para proteger el motor (este funcionamiento puede durar de 5 a 45 minutos, dependiendo de la temperatura alcanzada al utilizar el volante en un juego).

## BOTÓN MODE Y LUZ INDICADORA (6)

### Botón MODE de los pedales

El T300 es compatible con los pedales de Thrustmaster que incluyan 3 pedales que te permitirán intercambiar electrónicamente los pedales del acelerador y el embrague.

Para ello, simplemente pulsa el botón MODE (6) durante 2 segundos.

La memoria interna del volante de carreras almacena si los pedales se han intercambiado o no.

PEDALES DEL ACELERADOR Y EL EMBRAGUE	Color de la luz indicadora MODE (6)
NORMAL	ROJO
INTERCAMBIADOS	VERDE

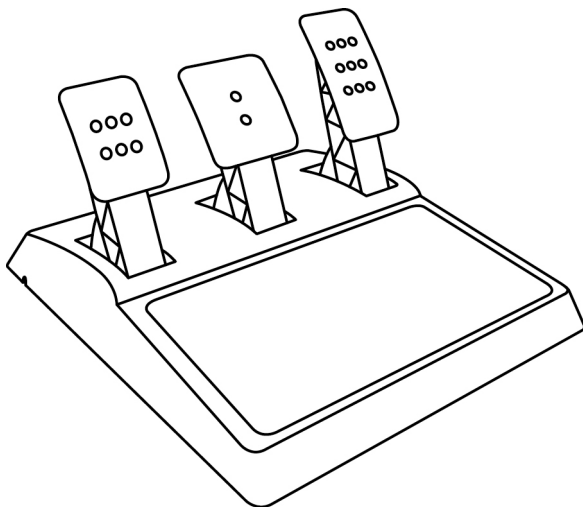
### Otros consejos para el botón MODE

Para obtener más información sobre el botón MODE y la luz indicadora, visita <http://support.thrustmaster.com>. Haz clic en **Volantes de carreras / T300 RS** y luego selecciona **Manual** o **PF**.

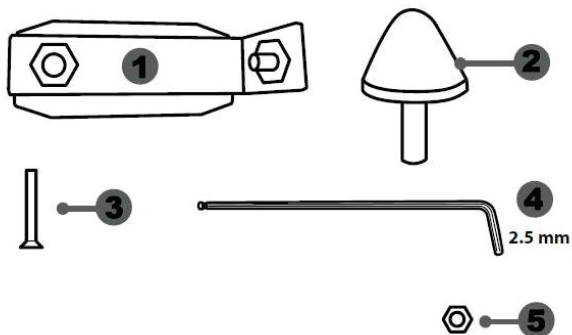
## ARCHIVOS DE AYUDA Y FAQ (NO INCLUIDOS EN ESTE MANUAL)

Visita <http://support.thrustmaster.com>. Haz clic en **Volantes de carreras / T300 RS** y luego selecciona **Manual** o **PF**.

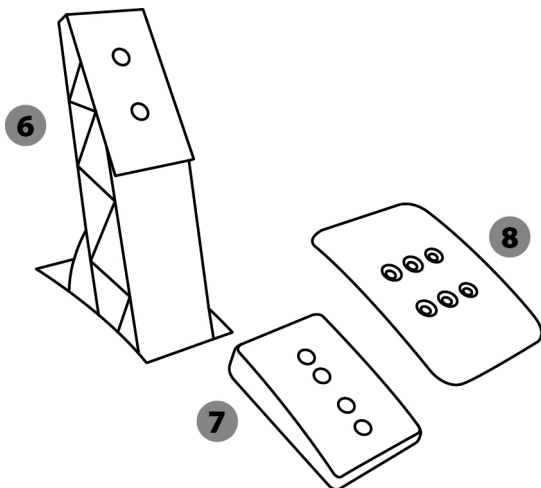
# PEDALES **T3PA – GT EDITION**



## CARACTERÍSTICAS TÉCNICAS



- 1 Soporte metálico para tope cónico  
*(no está instalado de forma predeterminada)*
- 2 Tope cónico
- 3 Tornillo de sujeción de soporte metálico
- 4 Llave Allen de 2,5 mm (incluida)
- 5 Tuerca de ajuste de posición para tope cónico



- 6 Brazo del pedal
- 7 Soporte de cabeza de plástico
- 8 Cabeza del pedal metálica

## AVISO

Antes de utilizar este producto, asegúrate de leer detenidamente estas instrucciones y guárdalas para poder consultarlas en el futuro.



Por motivos de seguridad, no utilizar nunca los pedales con los pies desnudos o únicamente con calcetines en los pies.  
THRUSTMASTER® DECLINA TODA RESPONSABILIDAD EN CASO DE LESIONES PRODUCTO DEL USO DE LOS PEDALES SIN CALZADO.



### **Advertencia – Peligro de pillarse con los pedales durante las sesiones de juego**

- \* Mantén los pedales fuera del alcance de los niños.
- \* Durante las sesiones de juego, no pongas nunca los dedos en los lados de los pedales ni cerca de ellos.
- \* Durante las sesiones de juego, no pongas nunca los dedos en la base trasera de los pedales ni cerca de ella.
- \* Durante las sesiones de juego, no pongas nunca los dedos en la base delantera de los pedales ni cerca de ella.

**NUNCA**



**NUNCA**



**NUNCA**



## CALIBRACIÓN AUTOMÁTICA DE LOS PEDALES



### **IMPORTANTE:**

- No conectes ni desconectes nunca los pedales de la base del volante cuando el volante esté conectado a la consola o al PC, ni durante las sesiones de juego, para evitar problemas de calibración.
- Conecta siempre los pedales al volante antes de conectar el volante a la consola o al PC.
- Una vez que el volante se ha autocalibrado y el juego ha comenzado, los pedales se autocalibran automáticamente tras presionarlos varias veces.
- No presiones nunca los pedales cuando el volante se está autocalibrando o cuando el juego está arrancando, para evitar problemas de calibración.
- Si los pedales no están funcionando correctamente o parece que no están calibrados adecuadamente, apaga la consola, desconecta por completo el volante y, a continuación, vuelve a conectar todos los cables (incluyendo el cable de la fuente de alimentación y el de los pedales), vuelve a encender la consola y reinicia el juego.

## FIJACIÓN DE LOS PEDALES A UNA CABINA

- Fija los pedales con las roscas de tornillo pequeñas situadas en la cara inferior de los pedales.
- Atornilla dos tornillos M6 (no incluidos) en la placa de soporte de los pedales en la cabina y en las dos roscas de tornillo pequeñas situadas en la cara inferior de los pedales.

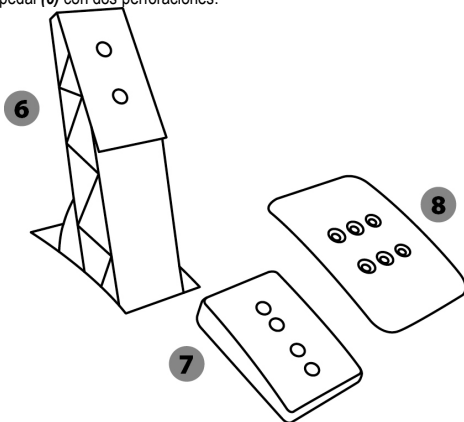
**Importante:** La longitud de los dos tornillos M6 no debe superar el grosor de la placa de soporte de los pedales en la cabina más 10 mm adicionales, para evitar dañar los componentes internos de los pedales.



## AJUSTE DE LOS PEDALES

Cada uno de los tres pedales incluye:

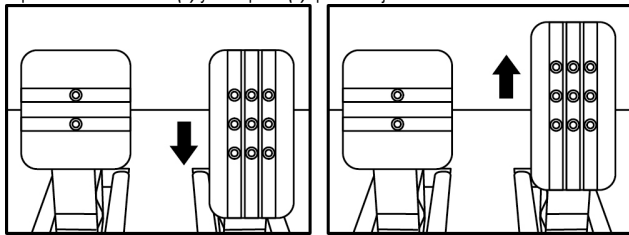
- Una cabeza metálica (8) con varias perforaciones (nueve para el acelerador, dos para el freno y seis para el embrague).
- Un soporte de cabeza de plástico (7) (situado entre la cabeza y el brazo) con cuatro perforaciones.
- Un brazo del pedal (6) con dos perforaciones.



**ATENCIÓN:** Para evitar problemas de calibración, asegúrate de desconectar siempre el cable USB del volante de la consola o PC antes de hacer ajustes en los pedales.

### Ajuste de la ALTURA del pedal del acelerador

- Con la llave Allen de 2,5 mm incluida (4), desatornilla los dos tornillos que sujetan la cabeza metálica (8) y su soporte (7) en su sitio.
- Selecciona la posición de altura que prefieras y luego vuelve a colocar y apretar los tornillos de forma que la cabeza metálica (8) y su soporte (7) queden sujetos firmemente en su sitio.



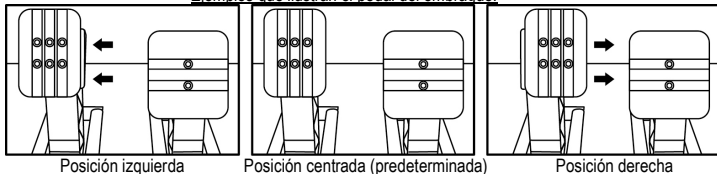
Posición baja (predeterminada)

Posición alta

## Ajuste del ESPACIADO

- Con la llave Allen de 2,5 mm incluida (4), desatornilla los dos tornillos que sujetan la cabeza metálica (8) y su soporte (7) en su sitio.
- Selecciona la posición que prefieras (a la izquierda, centrada o a la derecha) y, a continuación, vuelve a colocar y apretar los tornillos de forma que la cabeza metálica (8) y su soporte (7) queden sujetos firmemente en su sitio.

Ejemplos que ilustran el pedal del embrague:



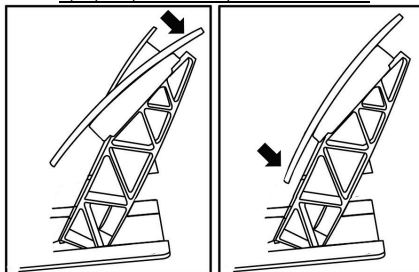
Número de posiciones de espaciado posibles por pedal:

- Tres para el pedal del acelerador
- Tres para el pedal del embrague

## Ajuste de la INCLINACIÓN de los pedales

- Con la llave Allen de 2,5 mm incluida (4), desatornilla los dos tornillos que sujetan la cabeza metálica (8) y su soporte (7) en su sitio.
- Gira el soporte de cabeza de plástico (7) 180° y, a continuación, vuelve a colocar y apretar los tornillos de forma que la cabeza metálica (8) y su soporte (7) queden sujetos firmemente.

Ejemplos que ilustran el pedal del acelerador:



Posición menos inclinada      Posición más inclinada (predeterminada)

Número de posiciones de inclinación posibles por pedal:

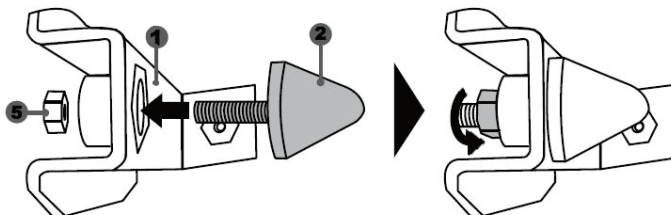
- Dos para el pedal del acelerador
- Dos para el pedal del freno
- Dos para el pedal del embrague

## Instalación del tope cónico (mod “CONICAL RUBBER BRAKE”)

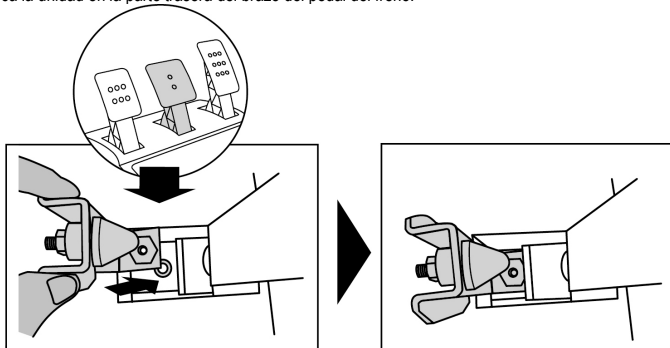
*Esta modificación (o “mod”) no es esencial y no se instala de forma predeterminada. Esto significa que el pedal del freno funciona perfectamente aunque no esté instalado el mod.*

*Este mod te permite experimentar una resistencia y sensación diferentes al frenar. Depende de ti instalarlo o no, en función de tus preferencias.*

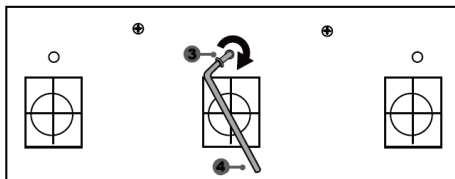
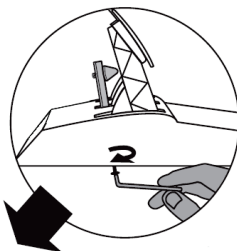
- Atornilla el tope cónico (2) en su soporte metálico (1).
- Atornilla la tuerca de ajuste de posición (5) en la parte inferior (en la rosca de tornillo del tope cónico).



- Coloca la unidad en la parte trasera del brazo del pedal del freno.



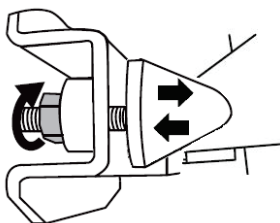
- Con la llave Allen de 2,5 mm incluida (4), fija la unidad con el tornillo de sujeción (3) y la rosca de tornillo central pequeña situada en la cara inferior de los pedales.



*¡Ya está instalado el mod "CONICAL RUBBER BRAKE"!*

### Ajuste del RANGO de desplazamiento y la RESISTENCIA del pedal del freno

Si desatornillas ligeramente la tuerca (5), puedes reforzar más la resistencia del pedal del freno moviendo el tope cónico (2) más cerca de la parte trasera del brazo del pedal (si es necesario, usa una llave de 14 mm o unos alicates para volver a apretar la tuerca y mantener la posición seleccionada). Cuanto más cerca esté colocado el tope cónico de la parte trasera del brazo del pedal, mayor será la resistencia.



**Nota:** Cuando el tope cónico está muy cerca de la parte trasera del brazo del pedal del freno, puedes experimentar dificultades para alcanzar el valor de calibración máximo. Si eso sucediera:

- \* Lentamente, presiona muy fuerte el pedal del freno para que alcance el valor máximo (si es necesario, descansa muy brevemente sobre el pedal, sólo durante un segundo) y, a continuación, libera la presión; o por el contrario
- \* Desplaza el tope cónico un poco más lejos de la parte trasera del brazo del pedal del freno.

## **INFORMACIÓN DE GARANTÍA AL CONSUMIDOR**

En todo el mundo, Guillemot Corporation S.A., cuyo domicilio legal se encuentra en Place du Granier, B.P. 97143, 35571 Chantepie, Francia (en lo sucesivo "Guillemot") garantiza al consumidor que este producto de Thrustmaster estará libre de defectos de materiales y mano de obra, durante un período de garantía que corresponde al límite de tiempo para interponer una acción legal referida a la conformidad en relación con este producto. En los países de la Unión Europea, esto corresponde a un período de dos (2) años a partir de la entrega del producto de Thrustmaster. En otros países, el período de garantía corresponde al límite de tiempo para interponer una acción legal referida a la conformidad en relación con este producto de Thrustmaster según las leyes aplicables del país en el que el consumidor estuviese domiciliado en la fecha de compra del producto de Thrustmaster (si no existiese una acción similar en el país correspondiente, entonces el período de garantía será de un (1) año a partir de la fecha de compra original del producto de Thrustmaster).

A pesar de lo anterior, las baterías recargables están cubiertas por un período de garantía de seis (6) meses a partir de la fecha de compra original.

Si el producto resultase defectuoso durante el período de garantía, hay que ponerse en contacto inmediatamente con el Soporte Técnico, que indicará el procedimiento a seguir. Si se confirma el defecto, el producto debe devolverse a su lugar de compra (o a cualquier otra ubicación indicada por el Soporte Técnico).

Dentro del contexto de esta garantía, el producto defectuoso del consumidor será sustituido o restaurado su funcionamiento correcto. Si, durante el período de garantía, el producto de Thrustmaster fuese sometido a dicho reacondicionamiento, cualquier período de cómo mínimo siete (7) días durante el que el producto no se pueda usar se añadirá al período de garantía restante (este período va desde la fecha de petición de intervención del consumidor o desde la fecha en la que el producto se entrega para el reacondicionamiento, si la fecha en la que el producto se entrega para el reacondicionamiento fuese posterior a la fecha de la petición de intervención). Si la ley aplicable lo permite, toda la responsabilidad de Guillemot y sus filiales (incluso por daños resultantes) se limita a la restauración del funcionamiento correcto o la sustitución del producto de Thrustmaster. Si la ley aplicable lo permite, Guillemot renuncia a todas las garantías de comerciabilidad o adecuación para un propósito determinado.

Esta garantía no se aplicará: (1) si el producto ha sido modificado, abierto, alterado o ha sufrido daños como resultado de un uso inapropiado o abuso, negligencia, accidente, desgaste normal, o cualquier otra causa no relacionada con un defecto de materiales o fabricación (incluyendo, pero no de forma exclusiva, la combinación del producto de Thrustmaster con cualquier elemento no adecuado, incluyendo en particular fuentes de alimentación, baterías recargables, cargadores o cualquier otro elemento no suministrado por Guillemot para este producto); (2) si el producto se ha empleado para otro uso distinto del doméstico, incluyendo fines profesionales o comerciales (salones de juego, entrenamiento, competiciones, por ejemplo); (3) en caso de incumplimiento de las instrucciones proporcionadas por el Soporte Técnico; (4) a software, es decir software sujeto a una garantía específica; (5) a consumibles (elementos que se tienen que reemplazar a lo largo de la vida del producto: por ejemplo, baterías desechables o almohadillas para auriculares de audio); (6) a accesorios (por ejemplo, cables, cajas, bolsas, bolsos o muñequeras); (7) si el producto se ha vendido en una subasta pública.

Esta garantía no es transferible.

Los derechos legales del consumidor en relación con las leyes aplicables a la venta de productos de consumo de su país no se ven afectados por esta garantía.

### Provisiones de garantía adicionales

Durante el período de garantía, Guillemot no proporcionará, en principio, ninguna pieza de repuesto, ya que el Soporte Técnico es el único autorizado para abrir y/o reacondicionar los productos de Thrustmaster (con la excepción de los procedimientos de reacondicionamiento que el Soporte técnico puede solicitar que lleve a cabo el consumidor, mediante instrucciones por escrito – por ejemplo, debido a la simplicidad y la falta de confidencialidad del proceso de reacondicionamiento – y suministrando al consumidor las piezas de repuesto necesarias, si hiciese falta).

Debido a sus ciclos de innovación y para proteger su know-how y secretos comerciales, Guillemot no proporcionará, en principio, ninguna pieza de repuesto ni instrucciones de reacondicionamiento para los productos de Thrustmaster cuyo período de garantía haya vencido.

En los Estados Unidos de América y en Canadá, esta garantía está limitada al mecanismo interno del producto y al alojamiento externo. En ningún caso, Guillemot ni sus filiales serán responsables ante terceros por daños resultantes o fortuitos resultado del incumplimiento de cualquier garantía expresa o implícita. En algunos estados o provincias no se permite la limitación de la duración de una garantía implícita ni la exclusión o limitación de responsabilidad por daños resultantes o fortuitos, por lo que las limitaciones o exclusiones anteriores pueden no ser aplicables. Esta garantía ofrece derechos legales específicos al consumidor, que también puede tener otros derechos que pueden variar de un estado a otro o de una provincia a otra.

### Responsabilidad

Si la ley aplicable lo permite, Guillemot Corporation S.A. (en lo sucesivo "Guillemot") y sus filiales renuncian a toda responsabilidad por los daños causados por uno o más de los siguientes motivos: (1) el producto ha sido modificado, abierto o alterado; (2) incumplimiento de las instrucciones de montaje; (3) uso inapropiado o abuso, negligencia, accidente (un impacto, por ejemplo); (4) desgaste normal; (5) el producto se ha empleado para otro uso distinto del doméstico, incluyendo fines profesionales o comerciales (salones de juego, entrenamiento, competiciones, por ejemplo). Si la ley aplicable lo permite, Guillemot y sus filiales renuncian a toda responsabilidad por los daños no relacionados con defectos de materiales o fabricación en relación con el producto (incluyendo, pero no de forma exclusiva, los daños causados de forma directa o indirecta por cualquier software, o por combinar el producto de Thrustmaster con cualquier elemento no adecuado, incluyendo en particular fuentes de alimentación, baterías recargables, cargadores o cualquier otro elemento no suministrado por Guillemot para este producto).

# **THRUSTMASTER®**

## **SOPORTE TÉCNICO**

<http://support.thrustmaster.com>



## DECLARACIÓN DE CONFORMIDAD

NOTICIA DE CONFORMIDAD EN USA: este dispositivo cumple con los límites para dispositivos de computación de Clase B de acuerdo con la Parte 15 de las reglas FCC.

## COPYRIGHT

© 2017 Guillemot Corporation S.A. Todos los derechos reservados. Thrustmaster® es una marca registrada de Guillemot Corporation S.A.

Fabricado y distribuido bajo licencia de Sony Interactive Entertainment America LLC. PlayStation, el logotipo de la línea PS, PS3, PS4 y "△OX□" son marcas comerciales registradas de Sony Interactive Entertainment Inc. Todos los derechos reservados.

Todas las demás marcas registradas y nombres comerciales se reconocen por los presentes y son propiedad de sus respectivos dueños. Ilustraciones no definitivas. El contenido, la concepción y las especificaciones son susceptibles de cambiar sin previo aviso y varían según el país. Fabricado en China.

## RECOMENDACIÓN DE PROTECCIÓN AMBIENTAL

Cumpla las leyes locales sobre reciclaje de equipos eléctricos y electrónicos.

Esta información debe conservarse. Los colores y motivos decorativos pueden variar. Los adhesivos y los cierres de plástico se deben quitar del producto antes de utilizarlo.

[www.thrustmaster.com](http://www.thrustmaster.com)

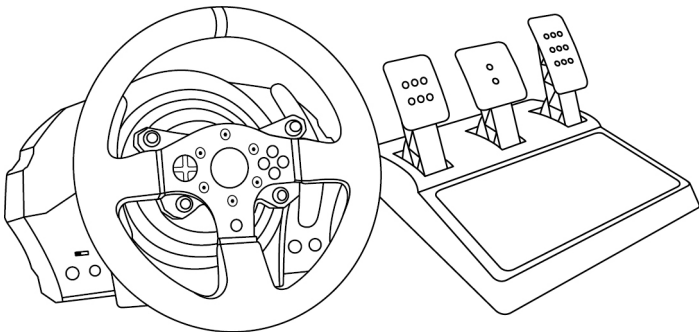


# T300RS

## GT Edition

PARA SISTEMAS PLAYSTATION®3 – PLAYSTATION®4

Manual do Usuário

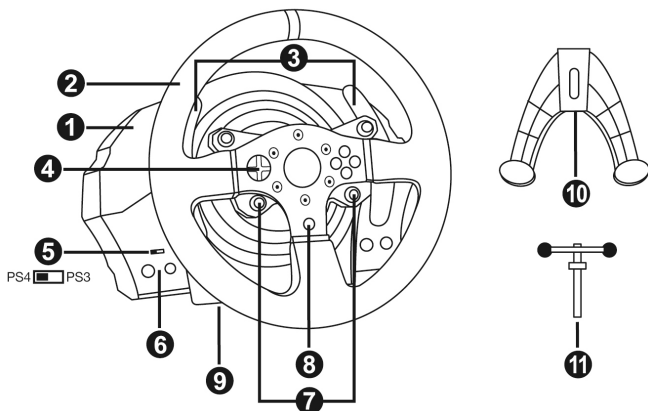


### **ATENÇÃO:**

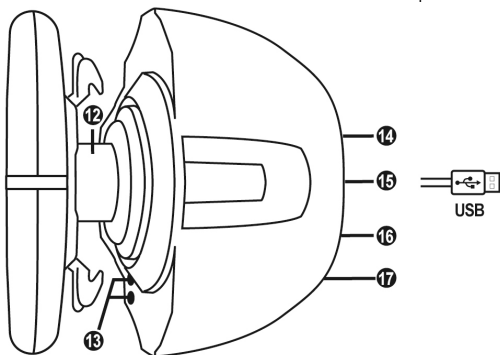
Para garantir que o seu volante T300 funcione corretamente com jogos para os sistemas PlayStation®3 ou PlayStation®4, poderá ser pedido para instalar as atualizações automáticas dos jogos (*disponível quando o console está conectado à Internet*).



## CARACTERÍSTICAS TÉCNICAS



- |  |  |
|--|--|
| 1 Base do T300 RS  | 7 Botões SELECT/START no PS3™ e SHARE/OPTIONS no PS4™                  |
| 2 Volante T300 GT  | 8 Botão PS   |
| 3 2 pás de mudança de marchas sequenciais (Acima e Abaixo) | 9 Furo roscado grande (para o sistema de fixação e parafuso de aperto) |
| 4 D-Pad multidirecional                                    | 10 Sistema de fixação  |
| 5 Seletor USB PS4™ ou PS3™                                 | 11 Parafuso de aperto de metal   |
| 6 Botão MODE + luz indicadora vermelha/verde               |  |



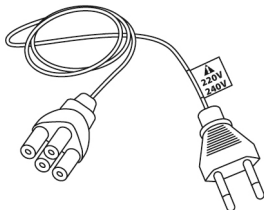
- |   |  |
|---|--|
| 12 Thrustmaster Quick Release   | 15 Cabo e conector USB do volante                                      |
| 13 Botões L3/R3   | 16 Conector da alavanca de marchas (caixa de câmbio) (vendido à parte) |
| 14 Conector de alimentação (tipo A ou B) (varia de acordo com o país) | 17 Conector da pedaleira   |

## LIGAR O VOLANTE A UMA TOMADA ELÉTRICA: LEIA ANTES DE CONTINUAR!

A fonte de alimentação do volante varia de acordo com o país onde você adquiriu o dispositivo. A alimentação pode ser:

### Interna, com:

- \* uma unidade de alimentação situada diretamente no interior da base do volante, com um conector de tipo A.
  - \* um cabo de alimentação de 220-240 V.
- = compatível apenas com energia elétrica de 220-240 V.

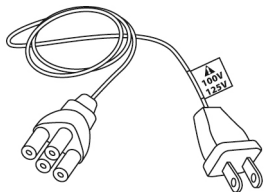


**Nunca ligue o cabo de 220-240 V  
a uma tomada elétrica de 100-130 V!  
Nunca ligue este cabo a um transformador!**



### Interna, com:

- \* uma unidade de alimentação situada diretamente no interior da base do volante, com um conector de tipo A.
  - \* um cabo de alimentação de 100-125 V.
- = compatível apenas com energia elétrica de 100-125 V.



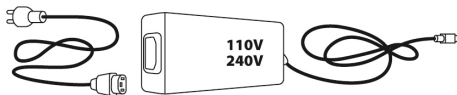
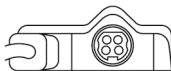
**Nunca ligue o cabo de 100-125 V  
a uma tomada elétrica de 220-240 V!  
Nunca ligue este cabo a um transformador!**



**IMPORTANTE: se não souber qual tensão é fornecida na zona onde você pretende usar o volante, pergunte ao seu fornecedor de eletricidade local.**

### Externa, com:

- \* uma unidade de alimentação externa, com um conector de tipo B.
  - \* um cabo de alimentação.
- = compatível com todas as tensões elétricas, de 110 a 240 V.



## AVISOS

Antes de utilizar este produto, leia atentamente este manual e guarde-o para consultas futuras.



### **Atenção – Choque elétrico**

- \* Guarde o produto num local seco e não exponha-o ao pó nem à luz do sol.
- \* Não torça nem puxe os conectores e os cabos.
- \* Não derrame líquidos sobre o produto ou nos respetivos conectores.
- \* Não provoque um curto-circuito no produto.
- \* Nunca desmonte o produto, não o atire para o fogo nem o exponha a temperaturas elevadas.
- \* Não utilize um cabo de alimentação diferente do fornecido com o volante.
- \* Não utilize o cabo de alimentação se o cabo ou os conectores estiverem danificados, fendidos ou partidos.
- \* Certifique-se de que o cabo de alimentação está corretamente ligado a uma tomada elétrica, assim como ao conector situado na parte posterior da base do volante.
- \* Não abra o volante: ele não contém peças reparáveis pelo usuário no interior. Todos os consertos devem ser realizados pelo fabricante, pelo seu representante autorizado ou por um técnico qualificado.
- \* Utilize apenas sistemas de fixação/acessórios especificados pelo fabricante.
- \* Se o volante estiver funcionando de forma anormal (se emite quaisquer sons, calor ou cheiros anormais), pare imediatamente de utilizá-lo, desligue o cabo de alimentação da tomada e desligue os outros cabos.
- \* Se não utilizar o volante durante um longo período de tempo, desligue o respectivo cabo de alimentação da tomada elétrica.



### **Aberturas de ventilação**

Certifique-se de não tapar as aberturas de ventilação na base do volante. Para uma ventilação ideal, certifique-se do seguinte:

- \* Posicione a base do volante a pelo menos 10 cm de distância de quaisquer paredes.
- \* Não coloque a base em espaços apertados.
- \* Não tape a base.
- \* Não deixe que pó se acumule nas aberturas de ventilação.



**Por razões de segurança, nunca utilize o conjunto de pedais com os pés descalços ou apenas com meias calçadas nos pés.  
A THRUSTMASTER® NÃO ASSUME QUALQUER RESPONSABILIDADE NA  
EVENTUALIDADE DE DANOS FÍSICOS RESULTANTES DA UTILIZAÇÃO DO  
CONJUNTO DE PEDAIS SEM CALÇADO.**



### **Atenção – Ferimentos resultantes dos efeitos Force Feedback e dos movimentos repetidos**

Jogar com um volante Force Feedback pode causar dores musculares ou articulares. Para evitar quaisquer problemas:

- \* Evite jogar durante longos períodos de tempo.
- \* Faça um intervalo de 10 a 15 minutos após cada hora de jogo.
- \* Se sentir cansaço ou dores nas mãos, pulsos, braços, pés ou pernas, pare de jogar e descanse durante algumas horas antes de recomeçar a jogar.



## **Atenção – Ferimentos resultantes dos efeitos Force Feedback e dos movimentos repetidos (continuação)**

- \* Se os sintomas ou as dores acima indicados persistirem quando recomeçar a jogar, pare de jogar e consulte o seu médico.
- \* Guarde o volante fora do alcance de crianças.
- \* Durante o jogo, mantenha sempre ambas as mãos posicionadas corretamente no volante sem largá-lo por completo.
- \* Durante o jogo, nunca coloque as mãos ou os dedos por baixo dos pedais ou perto do conjunto de pedais.
- \* Durante a calibração e o jogo, nunca coloque a mão ou o braço através das aberturas existentes no volante.
- \* Certifique-se de que a base do volante está devidamente fixada, de acordo com as instruções do manual.



Produto para ser manuseado apenas por usuários com 16 anos de idade ou mais

PRODUTO PESADO



Tenha cuidado para não deixar cair o produto em cima de si ou de outra pessoa!

SEMPRE



NUNCA



NUNCA





### **Atenção – Perigo de entalamento no conjunto de pedais ao jogar**

- \* Guarde o conjunto de pedais fora do alcance de crianças.
- \* Quando jogar, nunca coloque os dedos nos lados dos pedais nem perto dos mesmos.
- \* Quando jogar, nunca coloque os dedos na base posterior dos pedais nem perto da mesma.
- \* Quando jogar, nunca coloque os dedos na base frontal dos pedais nem perto da mesma.

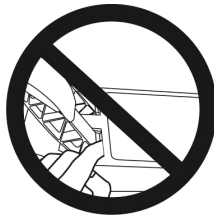
**NUNCA**



**NUNCA**



**NUNCA**



### **Atenção – Perigo de entalamento no conjunto de pedais em inatividade**

- \* Guarde o conjunto de pedais num local seguro e fora do alcance de crianças.

## **ATUALIZAR O FIRMWARE DO VOLANTE**

O firmware incluído na base do volante pode ser atualizado para uma versão mais recente que inclua melhoramentos do produto.

Para visualizar a versão do firmware que o volante utiliza atualmente e atualizá-la, se necessário: no PC, acesse <http://support.thrustmaster.com>. Clique em **Volantes / T300 RS**, selecione **Firmware** e siga as instruções que descrevem o procedimento de transferência e instalação.

## INSTALAR O VOLANTE NA RESPECTIVA BASE

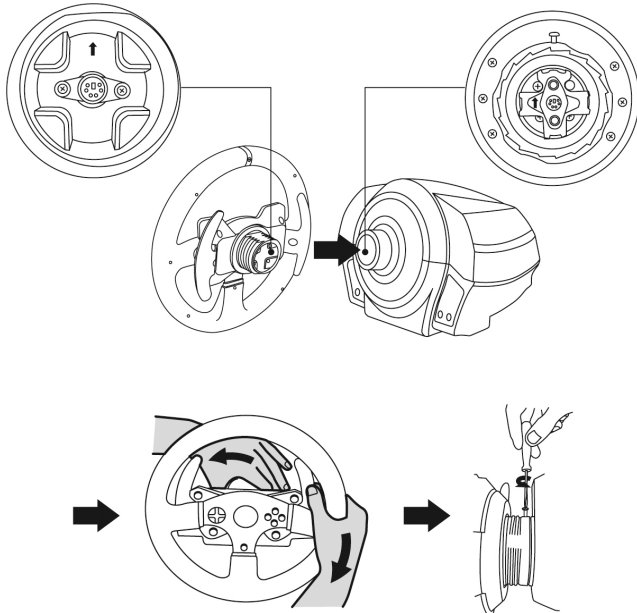
Alinhe as posições dos conectores com as setas:

**Conector da base (1):** Seta apontando para cima

**Conector do volante (2):** Seta apontando para cima

Assim que os conectores estiverem posicionados corretamente, gire o anel do dispositivo Thrustmaster Quick Release (12) no sentido anti-horário enquanto mantém o volante (2) na posição.

Em seguida, aperte o anel no máximo que conseguir; para tal, mantenha o anel na posição e gire o volante no sentido horário.



Depois de instalar o volante, gire-o 180° (quando estiver virado de frente para o volante, o logotipo GT deve ficar virado ao contrário) para acessar o parafuso de fixação pequeno situado no anel do dispositivo Thrustmaster Quick Release (12). Utilize uma chave de fenda Phillips grande para apertar o parafuso de fixação pequeno (não aplique força excessiva), girando-o no sentido horário.



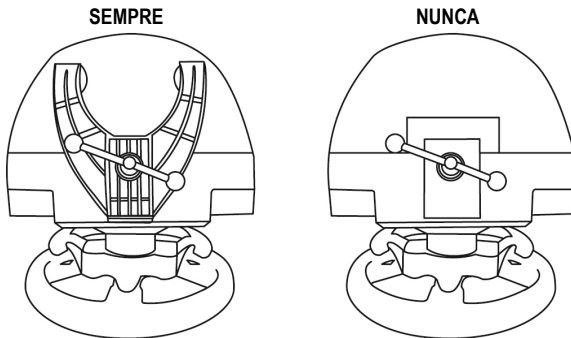
**Não aplique força excessiva ao apertar o parafuso de fixação pequeno  
(com uma chave de fenda Phillips)!**

**Pare de girar o parafuso assim que sentir alguma resistência.**

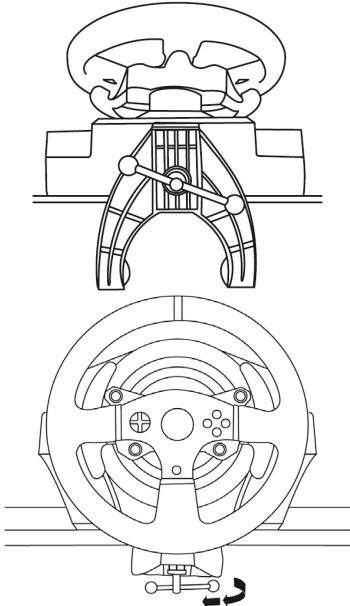
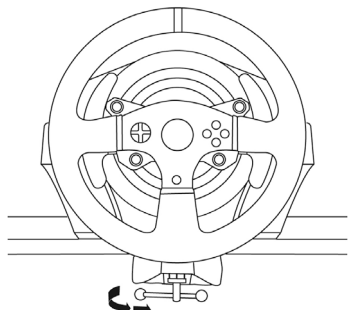
## FIXAR O VOLANTE

### Fixar o volante a uma mesa

1. Coloque o volante sobre uma mesa ou qualquer outra superfície horizontal, plana e estável.
2. Insira o parafuso de aperto (11) no sistema de fixação (10), depois aperte o dispositivo girando o parafuso no sentido anti-horário, de forma que penetre no furo roscado grande (9) situado abaixo do volante, até o volante estar perfeitamente estável.



**ATENÇÃO:** Nunca aperte apenas o parafuso, sem o sistema de fixação instalado!  
(Se o fizer, poderá danificar o volante.)

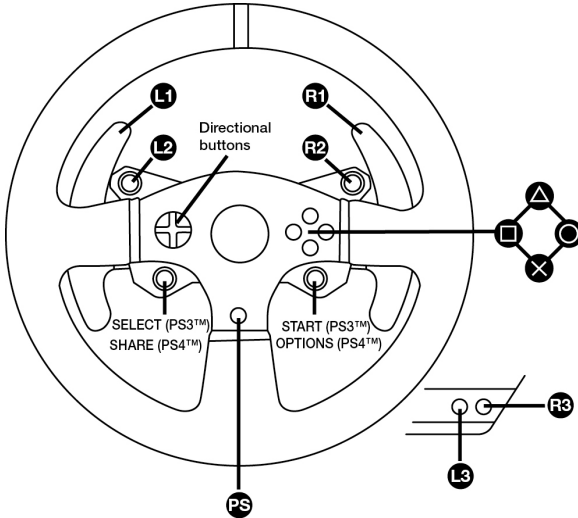
FIXAÇÃO / REMOÇÃO	DIREÇÃO
<p><b>Para apertar:</b> <i>Gire o parafuso no sentido anti- horário</i></p>	
<p><b>Para soltar:</b> <i>Gire o parafuso no sentido horário</i></p>	



## Fixar a base do volante a um cockpit

1. Coloque a base do volante na prateleira do cockpit.
2. Insira dois parafusos M6 (não incluídos) na prateleira do cockpit e, em seguida, enrosque-os nas duas roscas de parafuso pequenas situadas na parte inferior do volante.  
*Importante: O comprimento dos dois parafusos M6 não deve exceder a espessura da prateleira + 12 mm; os parafusos mais compridos poderão causar danos nos componentes internos situados na base do volante.*
3. Se necessário, aperte o sistema de fixação padrão inserindo o parafuso de aperto no furo roscado grande.

## MAPEAMENTO PARA PLAYSTATION®3 E PLAYSTATION®4



## CONFIGURAR O VOLANTE PARA O PLAYSTATION®3 OU PLAYSTATION®4

1. Ligue o conjunto de pedais ao conector (17) situado na parte traseira da base do volante.
2. Ligue o cabo de alimentação ao conector (14) situado na parte traseira da base do volante.
3. Ligue o cabo de alimentação a uma tomada elétrica com as mesmas especificações de tensão.



**Para obter mais informações a este respeito, consulte a seção LIGAR O VOLANTE A UMA TOMADA ELÉTRICA, na página 3 deste manual.**

4. Ajuste o seletor USB (5) na base do volante para a posição PS3™ ou PS4™, de acordo com o console ou o jogo que será usado.
5. Ligue o conector USB do volante (15) a uma das portas USB do console.
6. Quando o console for ligado, o volante será calibrado automaticamente.
7. No PlayStation®4 (quando o seletor USB estiver ajustado para a posição PS4™): pressione o botão PS (8) do volante e inicie sessão na sua conta Sony Entertainment Network para poder utilizar o volante.

***Você está pronto para começar a jogar!***

### **Notas importantes:**

- O seletor USB (5) na base do volante deve ser sempre ajustado para a posição correta (PS3™ ou PS4™) antes de ligar o cabo USB do volante ao console. Para mudar a posição do seletor, desligue o cabo USB do console e mude a posição do seletor antes de voltar a ligar o cabo USB ao console.
- No PlayStation®3, o seletor USB (5) deve estar sempre ajustado para a posição PS3™:
  - \* O volante é reconhecido na maioria dos jogos como um volante T500 RS.
  - \* O volante funciona em jogos compatíveis e nos menus do console.
  - \* A função “PS” é funcional no volante.
- No PlayStation®4, com o seletor USB (5) na posição PS3™:
  - \* O volante é reconhecido na maioria dos jogos como um volante T500 RS.
  - \* O volante funciona em jogos compatíveis, mas não nos menus do console.
  - \* As funções “SHARE” e “PS” não são funcionais no volante.
- No PlayStation®4, com o seletor USB (5) na posição PS4™:
  - \* Não se esqueça de pressionar o botão PS (8) do volante para poder utilizá-lo.
  - \* O volante é reconhecido na maioria dos jogos como um volante T300 RS.
  - \* O volante funciona em jogos compatíveis e nos menus do console.
  - \* As funções “SHARE” e “PS” são funcionais no volante.
- *A lista de jogos para PlayStation®3 e PlayStation®4 compatíveis com o T300 RS (juntamente com a posição necessária do seletor USB (5) de acordo com o jogo utilizado) está disponível em:*

<http://support.thrustmaster.com>

*(clique em Volantes / T300 RS / Configurações de jogos).*

*Esta lista é atualizada regularmente.*

## CONFIGURAR O VOLANTE PARA O PC

### **Observação importante:**

**No PC, o seletor USB(5) na base do volante deve sempre permanecer na posição PS3™.**

1. Acesse <http://support.thrustmaster.com> para baixar os drivers e software Force Feedback para PC. Clique em Volantes / T300 RS e selecione Controladores.
2. Quando o download for concluído, inicie a instalação e siga as instruções na tela para conectar o volante ao computador via USB e completar a instalação.
3. Quando a instalação for concluída, clique em Finalizar e reinicie o computador.
4. Selecione Iniciar / Todos os Programas / Thrustmaster / FFB Racing Wheel / Painel de Controle para abrir a janela Controladores de Jogo.

A janela Controladores de Jogo exibe o nome T300 RS Racing Wheel e o status OK.

5. Clique em Propriedades para configurar o volante no painel de controle do T300 RS.

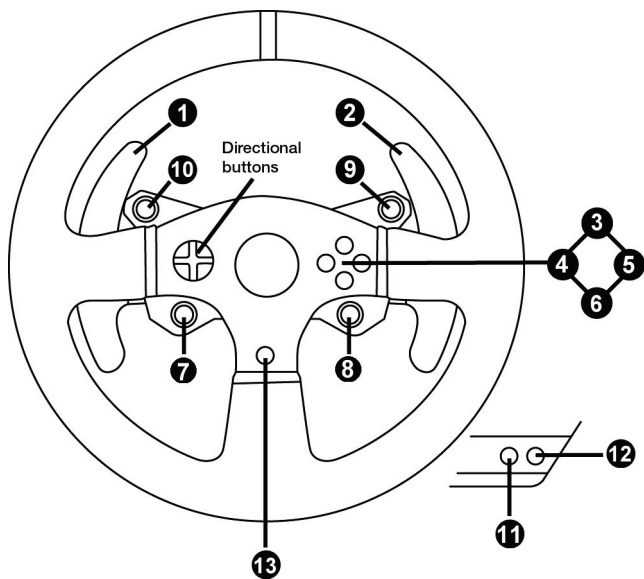
- Aba Test Input: permite testar e visualizar os botões de ação, os botões direcionais, os eixos do volante e dos pedais e ajustar o ângulo de rotação do volante em jogos para PC.
- Aba Test Forces: permite testar os 12 efeitos de force feedback.
- Aba Gain Settings: permite ajustar a força dos efeitos force feedback nos jogos para PC.

***Você está pronto para jogar!***

### Observações gerais:

- No PC, clique em OK para fechar a janela Controladores de Jogo antes de iniciar o jogo.
- No PC, os ajustes feitos na janela Controladores de Jogo serão salvos apenas no computador (não terão efeito no PlayStation®3 ou PlayStation®4).
- A versão do firmware do volante é exibida no canto superior direito do painel de controle do T300 RS.

## MAPEAMENTO PARA PC



## CALIBRAGEM AUTOMÁTICA DO VOLANTE E DO CONJUNTO DE PEDAIS

O volante calibra-se automaticamente quando ligado a uma tomada elétrica e o conector USB do volante ao console.

Durante esta fase, o volante gira rapidamente para a esquerda e direita, cobrindo um ângulo de 1080 graus, antes de parar no centro.



### **ATENÇÃO:**

**Nunca toque no volante durante a fase de autocalibragem!**  
*(Isto poderá resultar numa calibragem incorreta e/ou em ferimentos pessoais.)*

## CALIBRAGEM AUTOMÁTICA DO CONJUNTO DE PEDAIS

Nunca ligue o conjunto de pedais à base do volante (nem o desligue da base) quando estiver ligado ao console ou durante o jogo (isto poderá resultar numa calibragem incorreta).

Ligue sempre o conjunto de pedais antes de ligar o volante ao console.

Quando a calibragem do volante estiver concluída e o jogo tiver iniciado, os pedais são calibrados automaticamente ao fim de várias pressões.



### **ATENÇÃO:**

**Nunca pise nos pedais durante a fase de autocalibragem do volante ou quando um jogo estiver sendo carregado!**  
*(Isto poderá resultar numa calibragem incorreta.)*

**Se o volante e/ou o conjunto de pedais não funcionam corretamente, ou se parecem estar calibrados incorretamente:**

Desligue o console e desligue todos os cabos do volante. Em seguida, volte a ligar todos os cabos (incluindo o cabo de alimentação e o conjunto de pedais) e reinicie o console e o jogo.

## SENSOR DA TEMPERATURA INTERNA

O sistema de refrigeração do volante é composto por um dissipador de calor e uma ventoinha.

- Um termostato monitora a temperatura interna do volante.
- Quando utiliza o volante num jogo:
  - A ventoinha de refrigeração é ativada quando o volante atinge uma determinada temperatura (ao fim de alguns minutos de jogo, em função da intensidade dos efeitos Force Feedback utilizados).
  - A potência dos efeitos Force Feedback diminui automaticamente assim que o volante atinge uma temperatura muito mais alta (para proteger o motor). A intensidade destes efeitos aumenta automaticamente assim que a temperatura desce ligeiramente.
- Quando acabar de jogar: devido à inércia térmica do motor, a ventoinha de refrigeração continua a funcionar até que a temperatura seja inferior ao nível de ativação da ventoinha. O volante foi concebido desta forma para facilitar o arrefecimento e proteger o motor (isto poderá demorar entre 5 e 45 minutos, de acordo com a temperatura atingida ao utilizar o volante num jogo).

## BOTÃO MODE E LUZ INDICADORA (6)

### Botão MODE para o conjunto de pedais

O T300 é compatível com conjuntos de pedais Thrustmaster dotados de 3 pedais; estes permitem-lhe trocar eletronicamente os pedais do acelerador e da embreagem.

Para tal, basta pressionar o botão MODE (6) durante 2 segundos.

A memória interna do volante memoriza se os pedais foram trocados ou não.

PEDAIS DO ACELERADOR E DA EMBREAGEM	Cor da luz indicadora MODE (6)
NORMAL	VERMELHA
TROCADOS	VERDE

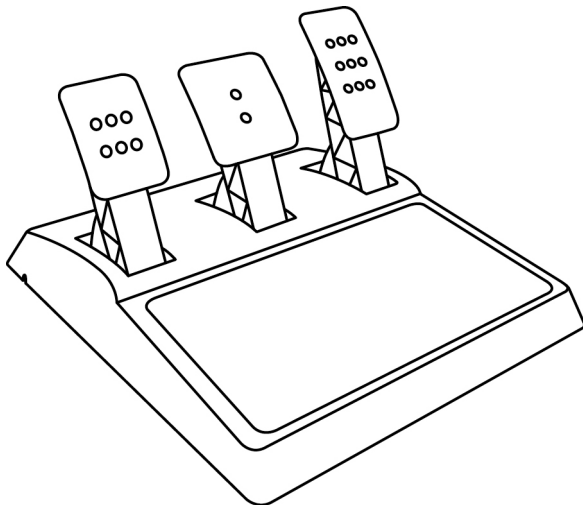
### Outras sugestões relativas ao botão MODE

Para saber mais sobre o botão MODE e a luz indicadora, acesse <http://support.thrustmaster.com>. Clique em **Volantes / T300 RS** e em seguida selecione **Manual** ou **FAQ**.

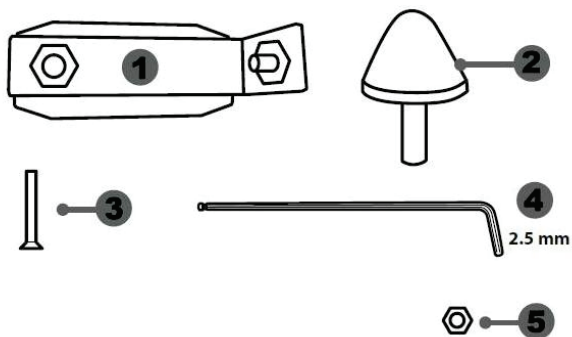
## ARQUIVOS DE AJUDA E FAQ (NÃO INCLuíDOS NESTE MANUAL)

Acesse <http://support.thrustmaster.com>, clique em **Volantes / T300 RS** e selecione **Manual** ou **FAQ**.

# PEDALEIRA **T3PA – GT EDITION**

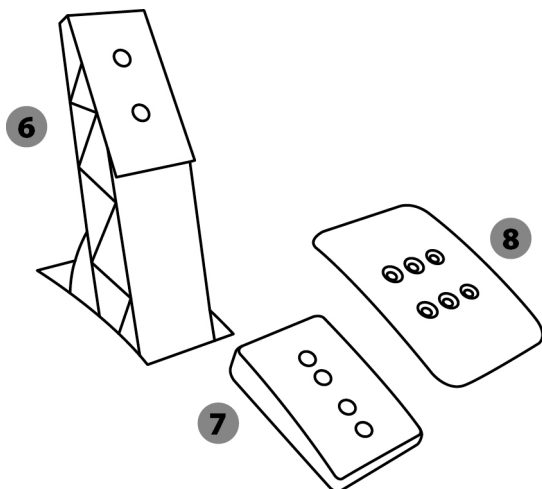


## CARACTERÍSTICAS TÉCNICAS



- 1 Apoio de metal para batente cônico  
(*não instalado por predefinição*)  
2 Batente cônico  
3 Parafuso de fixação para o apoio de metal

- 4 Chave sextavada de 2,5 mm (incluída)  
5 Porca de ajuste da posição para o batente cônico



- 6 Braço do pedal  
7 Apoio de plástico da cabeça

- 8 Cabeça de metal do pedal



## ATENÇÃO

Antes de utilizar este produto, leia atentamente estas instruções e guarde-as para uma consulta posterior.



Por razões de segurança, nunca utilize o conjunto de pedais com os pés descalços ou quando estiver apenas de meias calçadas.  
**A THRUSTMASTER® NÃO ASSUME QUALQUER RESPONSABILIDADE NA EVENTUALIDADE DE DANOS FÍSICOS RESULTANTES DA UTILIZAÇÃO DO CONJUNTO DE PEDAIS SEM CALÇADO.**



**Atenção – Perigo de entalamento no conjunto de pedais durante as sessões de jogo**

- \* Mantenha o conjunto de pedais fora do alcance de crianças.
- \* Durante as sessões de jogo, nunca coloque os dedos nos lados dos pedais.
- \* Durante as sessões de jogo, nunca coloque os dedos na base traseira dos pedais ou perto da mesma.
- \* Durante as sessões de jogo, nunca coloque os dedos na base frontal dos pedais ou perto da mesma.

**NUNCA**



**NUNCA**



**NUNCA**



## CALIBRAGEM AUTOMÁTICA DOS PEDAIS



### **IMPORTANTE:**

- Nunca ligue nem desligue o conjunto de pedais da base do volante quando este estiver ligado ao console ou ao PC, ou durante as sessões de jogo, para evitar problemas de calibragem.
- = Ligue sempre o conjunto de pedais ao volante antes de ligar o volante ao console ou ao PC.
- Quando a calibragem automática do volante estiver concluída e o jogo tiver começado, os pedais calibram-se automaticamente depois de pisar neles várias vezes.
- Nunca pise nos pedais quando o volante estiver executando a calibragem automática ou quando o jogo estiver começando, a fim de evitar problemas de calibragem.
- Se os pedais não funcionarem corretamente ou parecerem estar calibrados indevidamente, desligue o console, desligue completamente o volante, volte a ligar todos os cabos (incluindo o cabo de alimentação e o cabo do conjunto de pedais), ligue novamente o console e reinicie o jogo.

## FIXAR O CONJUNTO DE PEDAIS A UM COCKPIT

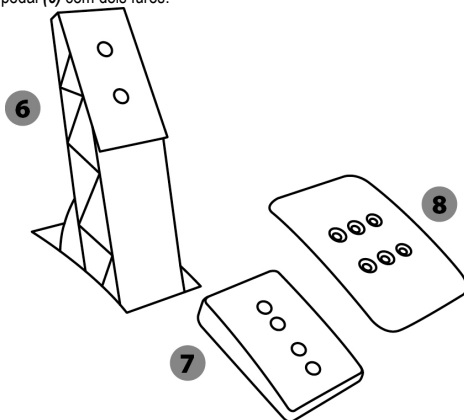
- Fixe o conjunto de pedais utilizando as pequenas roscas de parafusos situadas na parte inferior do conjunto de pedais.
- Enrosque dois parafusos M6 (não incluídos) na chapa de apoio do conjunto de pedais e nas duas pequenas roscas de parafusos situadas na parte inferior do conjunto de pedais.

**Importante:** O comprimento dos dois parafusos M6 não deve exceder a espessura da chapa de apoio dos pedais do cockpit mais 10 mm, para evitar danificar os componentes internos do conjunto de pedais.

## AJUSTAR O CONJUNTO DE PEDAIS

Cada um dos três pedais inclui:

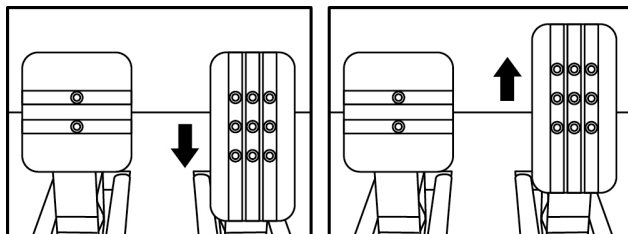
- Uma cabeça de metal (8) com vários furos (nove para o acelerador, dois para o freio e seis para a embreagem).
- Um apoio de plástico da cabeça (7) (colocado entre a cabeça e o braço) com quatro furos.
- Um braço do pedal (6) com dois furos.



**ATENÇÃO:** Para evitar problemas de calibragem, desligue sempre o cabo USB do volante do console ou do PC antes de realizar quaisquer ajustes no conjunto de pedais.

### Ajustar a ALTURA do pedal do acelerador

- Com a chave sextavada de 2,5 mm incluída (4), desenrosque os dois parafusos que prendem a cabeça de metal (8) e o respectivo apoio (7) na posição.
- Seleccione a sua posição de altura preferida e, em seguida, reaperte os parafusos de forma a fixar firmemente nessa posição a cabeça de metal (8) e o respectivo apoio (7).



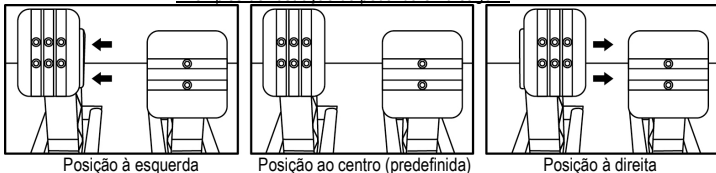
Posição baixa (predefinida)

Posição alta

## Ajustar o ESPAÇAMENTO

- Com a chave sextavada de 2,5 mm incluída (4), desenrosque os dois parafusos que prendem a cabeça de metal (8) e o respectivo apoio (7) na posição.
- Selecione a sua posição preferida (à esquerda, ao centro ou à direita) e, em seguida, reaperte os parafusos de forma a fixar firmemente nessa posição a cabeça de metal (8) e o respectivo apoio (7).

Exemplos de ilustração do pedal da embreagem:



Posição à esquerda

Posição ao centro (predefinida)

Posição à direita

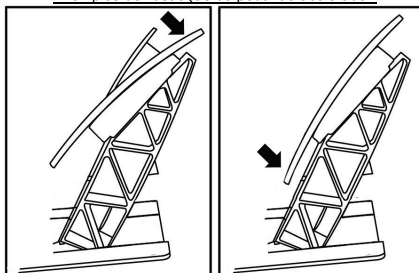
Número de posições de espaçamento possíveis por pedal:

- Três para o pedal do acelerador
- Três para o pedal da embreagem

## Ajustar a INCLINAÇÃO dos pedais

- Com a chave sextavada de 2,5 mm incluída (4), desenrosque os dois parafusos que prendem a cabeça de metal (8) e o respectivo apoio (7) na posição.
- Gire o apoio de plástico da cabeça (7) 180° e, em seguida, reaperte os parafusos de forma a fixar firmemente nessa posição a cabeça de metal (8) e o respectivo apoio (7).

Exemplos de ilustração do pedal do acelerador:



Posição menos inclinada

Posição mais inclinada (predefinida)

Número de posições de inclinação possíveis por pedal:

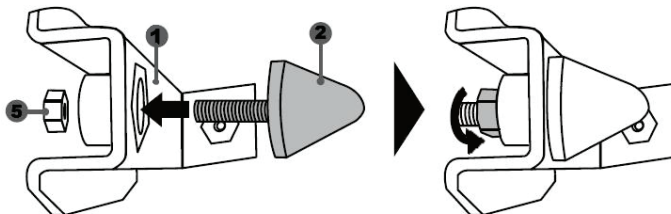
- Duas para o pedal do acelerador
- Duas para o pedal do freio
- Duas para o pedal da embreagem

## Instalar o batente cônico (“CONICAL RUBBER BRAKE” mod)

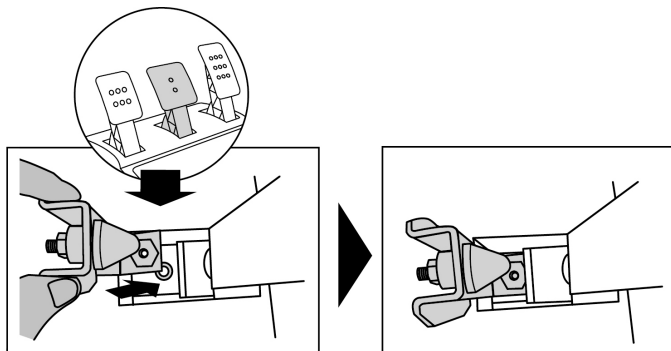
Esta modificação (ou “mod”) não é essencial, não sendo instalada por predefinição. Isto significa que o pedal do freio funciona perfeitamente mesmo sem a mod instalada.

Esta mod permite-lhe experimentar uma sensação e uma resistência diferentes ao frear. Cabe a você decidir se deve ou não instalá-la, de acordo com as suas próprias preferências.

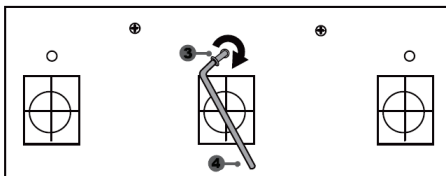
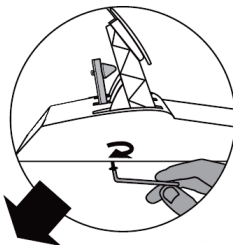
- Enrosque o batente cônico (2) no respectivo apoio de metal (1).
- Enrosque a porca de ajuste da posição (5) ao fundo (na rosca de parafuso do batente cônico).



- Coloque a unidade na parte posterior do braço do pedal do freio.



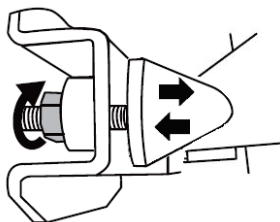
- Com a chave sextavada de 2,5 mm incluída (4), fixe a unidade utilizando o parafuso de fixação (3) e a pequena rosca de parafuso situada na parte inferior do conjunto de pedais.



A "CONICAL RUBBER BRAKE" mod encontra-se agora instalada!

### Ajustar o CURSO e a FORÇA da resistência do pedal do freio

Ao desenroscar ligeiramente a porca (5), você pode aumentar a resistência do pedal do freio aproximando o batente cônico (2) da parte traseira do braço do pedal (se necessário, utilize uma chave de porcas de 14 mm ou um alicate para reapertar a porca e manter a posição selecionada). Quanto mais perto o batente cônico estiver da parte traseira do braço do pedal, maior será a força da resistência.



**Nota:** Quando o batente cônico estiver muito perto da parte posterior do braço do pedal do freio, você pode ter dificuldade para atingir o valor de calibragem máximo. Se for esse o caso:

- \* Lentamente, pise com força no pedal do freio para atingir o valor máximo (se necessário, fique de pé durante breves instantes em cima do pedal – apenas 1 segundo) e, em seguida, alivie a pressão; ou
- \* Afaste ligeiramente o batente cônico da parte traseira do braço do pedal do freio.

## **INFORMAÇÕES SOBRE A GARANTIA PARA O CONSUMIDOR**

A Guillemot Corporation S.A., com sede social situada em Place du Granier, B.P. 97143, 35571 Chantepeie, França (a seguir designada como "Guillemot") garante a nível mundial ao consumidor que este produto Thrustmaster está livre de defeitos em termos de materiais e fabricação durante um período de garantia que corresponde ao limite de tempo para intentar uma ação de conformidade relativamente a este produto. Nos países da União Europeia, isto corresponde a um período de dois (2) anos desde a entrega do produto Thrustmaster. Em outros países, o período de garantia corresponde ao limite de tempo para intentar uma ação de conformidade relativamente ao produto Thrustmaster de acordo com a legislação em vigor do país no qual o consumidor residia na data de compra do produto Thrustmaster (se tal ação não existir no país correspondente, então o período de garantia será de um (1) ano a partir da data de compra original do produto Thrustmaster).

Não obstante o supracitado, as baterias recarregáveis são cobertas por um período de garantia de seis (6) meses a partir da data de compra original.

No caso de o produto apresentar algum defeito durante o período da garantia, contate imediatamente o Suporte Técnico, que lhe indicará o procedimento a tomar. Se o defeito se confirmar, o produto deverá ser devolvido ao respetivo local de compra (ou qualquer outro local indicado pelo Suporte Técnico).

No âmbito da presente garantia, e por opção do Suporte Técnico, o produto defeituoso do consumidor será substituído ou reparado. Se, durante o período da garantia, o produto Thrustmaster for submetido à dita reparação, qualquer período mínimo de (7) dias durante o qual o produto estiver fora de serviço será adicionado ao período da garantia restante (este período decorre desde a data do pedido intervenção pelo consumidor ou desde a data em que o produto em questão é disponibilizado para reparação, se a data em que o produto é disponibilizado para reparação for posterior à data do pedido de intervenção). Se for permitido pela legislação em vigor, a responsabilidade total da Guillemot e das respectivas subsidiárias (incluindo para danos indiretos) está limitada à reparação ou à substituição do produto Thrustmaster. Se for permitido pela legislação em vigor, a Guillemot rejeita todas as garantias de comercialização ou adequação a um fim específico.

A presente garantia não se aplicará: (1) se o produto tiver sido modificado, aberto, alterado ou danificado como resultado de utilização inadequada ou abusiva, negligência, acidente, desgaste normal ou qualquer outra causa relacionada a um defeito de material ou fabricação (incluindo, mas sem limitação, combinar o produto Thrustmaster com qualquer elemento inadequado, incluindo, em particular, fontes de alimentação, baterias recarregáveis, carregadores ou quaisquer outros elementos não fornecidos pela Guillemot para este produto); (2) se o produto tiver sido usado para qualquer outro propósito além do uso doméstico, inclusive para fins profissionais ou comerciais (salas de jogos, treinamento ou competições, por exemplo); (3) na eventualidade de não cumprimento das instruções fornecidas pelo Suporte Técnico; (4) a software, estando o mesmo sujeito a uma garantia específica; (5) a consumíveis (elementos para substituir ao longo da vida útil do produto, como baterias descartáveis e almofadas de fones de ouvido, por exemplo); (6) a acessórios (cabos, estojos, bolsas, sacos e correias de pulso, por exemplo); (7) se o produto foi vendido num leilão público.

A presente garantia não é transmissível.

Os direitos legais do consumidor no que concerne à legislação aplicável à venda de bens de consumo no seu país não são afetados pela presente garantia.

### Disposições de garantia adicionais

Durante o período da garantia, a Guillemot não fornecerá, em princípio, quaisquer peças de substituição, uma vez que o Suporte Técnico é a única parte autorizada a abrir e/ou reparar qualquer produto Thrustmaster (exceto por quaisquer procedimentos de reparação que o Suporte Técnico possa pedir ao consumidor para realizar, através de instruções por escrito – por exemplo, devido à simplicidade e à falta de confidencialidade do processo de reparação – e fornecendo ao consumidor a(s) peça(s) de substituição necessária(s), quando aplicável).

Tendo em conta os seus ciclos de inovação, e a fim de proteger o seu know-how e segredos comerciais, a Guillemot não fornecerá, em princípio, qualquer notificação de reparação ou peças de substituição para produtos Thrustmaster cujo período da garantia tenha expirado.

Nos Estados Unidos da América e no Canadá, a presente garantia está limitada ao mecanismo interno e à caixa do produto. Em nenhuma circunstância serão a Guillemot ou as respectivas subsidiárias consideradas responsáveis perante terceiros por quaisquer danos indiretos ou acidentais resultantes da violação de quaisquer garantias expressas ou implícitas. Alguns estados/províncias não permitem a limitação da duração de uma garantia implícita ou a exclusão ou limitação de responsabilidade por danos indiretos ou acidentais, portanto as limitações ou exclusões supracitadas podem não se aplicar a você. A presente garantia concede-lhe direitos legais específicos, e você também pode ter outros direitos, que variam de acordo com o estado ou a província.

### Responsabilidade

Se for permitido pela legislação em vigor, a Guillemot Corporation S.A. (a seguir designada como "Guillemot") e as respectivas subsidiárias rejeitam qualquer responsabilidade por quaisquer danos resultantes de uma ou mais das seguintes causas: (1) o produto foi modificado, aberto ou alterado; (2) não cumprimento das instruções de montagem; (3) utilização imprópria ou abusiva, negligência ou acidente (um impacto, por exemplo); (4) desgaste normal; (5) utilização do produto para qualquer outro propósito além do uso doméstico, inclusive para fins profissionais ou comerciais (salas de jogos, treinamento ou competições, por exemplo). Se for permitido ao abrigo da legislação aplicável, a Guillemot e as respectivas subsidiárias rejeitam qualquer responsabilidade por danos relacionados a um defeito de material ou fabricação relativamente ao produto (incluindo, mas sem limitação, quaisquer danos causados direta ou indiretamente por qualquer software ou por combinar o produto Thrustmaster com qualquer elemento inadequado, incluindo, em particular, fontes de alimentação, baterias recarregáveis, carregadores ou quaisquer outros elementos não fornecidos pela Guillemot para este produto).

# **THRUSTMASTER®**

## **SUORTE TÉCNICO**

<http://support.thrustmaster.com>





## DECLARAÇÃO DE CONFORMIDADE

Aviso de Cumprimento dos EUA: Este equipamento foi testado e considerado em conformidade com os limites para um dispositivo digital Classe B, conforme a Parte 15 das regras da FCC.

## DIREITOS AUTORAIS

© 2017 Guillemot Corporation S.A. Todos os direitos reservados. Thrustmaster® é uma marca registada da Guillemot Corporation S.A.

Fabricado e distribuído sob licença da Sony Interactive Entertainment America LLC.

Playstation, o logotipo da família PS, PS3, PS4 eo "△×□" são marcas registradas da Sony Interactive Entertainment Inc. Todos os direitos reservados.

Todas as outras marcas comerciais e nomes de marcas são por este meio reconhecidas e pertencem aos respectivos proprietários. As ilustrações não são vinculativas. Os conteúdos, desenhos e especificações estão sujeitos a alteração sem aviso prévio e podem variar de país para país. Fabricado na China.

## RECOMENDAÇÕES DE PROTEÇÃO AMBIENTAL

Respeite a legislação local sobre a reciclagem de equipamento elétrico e eletrônico.

Guarde estas informações. As cores e as decorações podem variar.

Os prendedores de plástico e os adesivos devem ser removidos do produto antes da utilização.

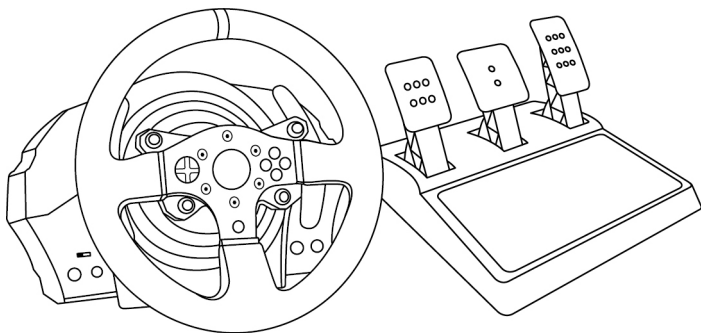
[www.thrustmaster.com](http://www.thrustmaster.com)



# 1300RS

## GT Edition

### ユーザーズマニュアル



#### **警告：**

PlayStation®3 または PlayStation®4 のシステムソフトウェアのバージョンによっては、全ての機能がお使いいただけない場合があります。

その場合は、最新のシステムソフトウェアにバージョンアップしてからご利用下さい。

システムソフトウェアのバージョン確認およびアップデートに関しましてはお使いのゲーム機本体の取扱説明書を御覧ください。

本製品は PlayStation®2、PlayStation®、PS one®では、ご使用になれません。  
また、PlayStation®2 規格のソフトウェアでの動作につきましては保証いたしかねます。

# 保証規定

※ 本製品を使用される前に必ずお読みください。

この度は、本製品をお買い上げいただき誠にありがとうございます。以下の保証規定をお読みいただき内容を同意の上、本製品をご使用ください。

初期不良期間はお買い上げ日から1週間とさせていただきます。

保証期間はお買い上げ日から1年間です。

注意：

個人売買（インターネット等）で購入された際の購入日は、保証開始日として起算できません。

社会的信用のある販売店での購入時のみ、購入日を保証開始日としますので、個人売買の場合は、商品の発売日から保証開始日として起算させていただきます。

製品がユーザーマニュアル記載の通常の使用方法により正常に動作しなくなった場合は、弊社の判断で無償にて交換／修理いたします。完売等の場合は同等品と無償で交換いたします。

交換の場合、お客様からお送りいただいた製品等は返却いたしかねます。また、修理の際に取り外した部品等も返却いたしかねます。

保証期間内でも、次の場合は保証が受けられません。

1. 弊社製品と判断出来ない場合。
2. ハードウェア自身の消耗に起因する故障または損傷（本製品は性質上、物理的な機構の耐久性に依存する製品寿命がございます）。
3. 火災、地震、水害、落雷、ガス害、塩害、その他の天災地変、公害や異常電圧による故障または損傷。
4. お買い上げ後の輸送、移動時の落下などお取り扱いが不適当なため生じた故障・損傷。
5. ご使用時の不備あるいは接続している他の機器によって生じた故障または損傷。
6. ユーザーマニュアルの記載内容に反するお取り扱いによって生じた故障または損傷。
7. 弊社以外で改造、調整、部品交換などをされた場合。
8. 本製品の故障に起因するデータ損失などの付随する損害に関しては一切保証できません。
9. ご使用環境との相性問題に関しての返品、返金等。
10. ゲームソフトとの相性問題に関しての返品、返金等。
11. 一般家庭以外（例えば業務用）でのご使用による故障、損傷または不具合。
12. その他、弊社が、交換を認め難い不適切な行為があると判断した場合。
13. 購入日が確認できるレシートがない場合。

## カスタマーサポート

本製品に異常を感じられた場合は、すぐに使用を中止し、カスタマーサポートへご相談ください。

### ■保証を受ける際に用意するもの

購入店と購入した日付が分かる書類（購入時のレシート、保証書シール、保証書レシート、通販の代引伝票など）が必要となります。

それらは決して捨てたりせずに大切に保管してください。

ご購入日付を証明する書類をご呈示いただけない場合、保証期間内であっても有償での修理対応となりますので、あらかじめご了承ください。

又、保証を受ける権利はご購入者以外（保証の譲渡）が所有する事はできません。

### ■ご送付についてのご案内

本製品に異常が発生した場合、カスタマーサポートにご相談頂いた後に、本製品をカスタマーサポートまでご送付いただく場合がございます。現象、環境等の詳細をお書き添え頂き、配送業者様の送り状（伝票）に“不良検証品”と明記の上、お買い上げ時のレシート等と共に本製品をお送りください。

発送される際は、紛失等のトラブルを防ぐため、必ず受領確認の取れる宅配便でご送付ください。

封書、郵便小包等の郵送は固くお断り申し上げます。

※ なお、輸送中の事故については、弊社にて責任を負いかねます。あらかじめご了承ください。

### ■交換／修理依頼時のご注意

以下の点をご了承の上、交換／修理をご依頼頂きますようお願いいたします。

1. 交換／修理のご依頼について：交換／修理のご依頼は日本国内にお住まいの方とさせていただきます。
2. 代替機の貸出について：交換／修理に伴う代替機の貸出等は行っておりません。
3. 製品の交換について：修理が困難な場合には、修理せずに同等品と交換させて頂く場合がございます。この場合、お客様にて貼られたシールなどはお返しできません。
4. お客様が設定されたデータについて：弊社にて修理作業を行う際にお客様が設定されたデータを消去する場合があります。この場合は、工場出荷初期状態でお返しすることとなります。（製品ごと交換する場合も同様です）

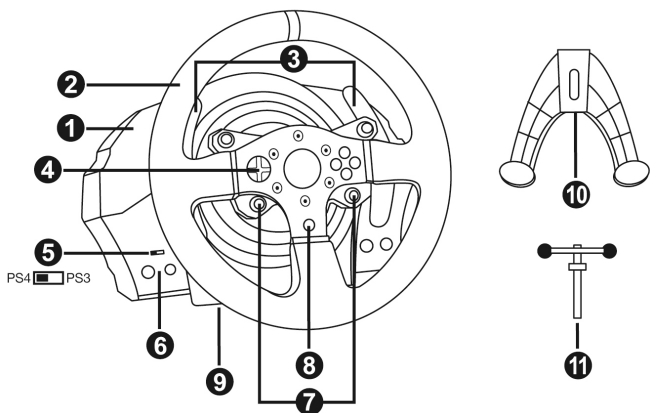
### ■送料について

1. 初期不良期間内（お買い上げ日から1週間）：初期不良期間の送料は往復共に弊社が負担させていただきます。
2. 初期不良期間終了以降～保証期間終了まで：弊社にご送付頂く際の送料はお客様にてご負担願います。
3. 製品を返送する際の送料は弊社にて負担させていただきます。

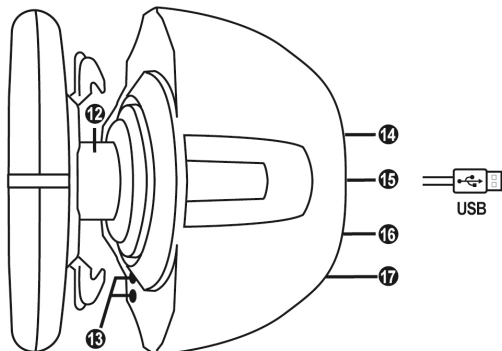
### カスタマーサポート連絡先

MSY 株式会社 サポートセンター  
埼玉県三郷市仁蔵字深田 485-1 TEL：048-934-5003  
E-mail：game-support@msygroup.com  
受付時間：月曜日～金曜日 9:30～12:00 / 13:00～17:30  
(土日祝日、長期連休を除く)

## 技術仕様



- |  |  |
|--|--|
| <p>1 T300 RS ベース部</p> <p>2 T300 GT ステアリングホイール</p> <p>3 シーケンシャル パドルシフト x 2 (上下)</p> <p>4 方向ボタン</p> <p>5 PS4™/PS3® 用内蔵 USB スライドスイッチ</p> <p>6 MODE ボタン + 赤/緑インジケータランプ</p> | <p>7 PS3® 用 SELECT/START ボタン、または PS4™ 用 SHARE/OPTIONS ボタン</p> <p>8 PS ボタン</p> <p>9 大きなねじ穴 (アタッチメントシステム および締め付けねじ用)</p> <p>10 アタッチメントシステム</p> <p>11 金属製取り付けねじ</p> |
|--|--|



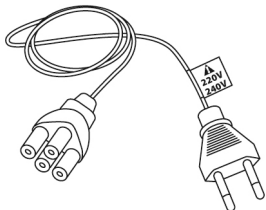
- |  |  |
|--|--|
| <p>12 Thrustmaster クイックリリース</p> <p>13 L3/R3 ボタン</p> <p>14 主電源コネクタ (A または B タイプ) (国によって異なります)</p> | <p>15 ステアリングホイール USB ケーブルとコネクタ</p> <p>16 ギアボックス用コネクタ (ギアボックスは別売)</p> <p>17 ペダルセット用コネクタ</p> |
|--|--|

## ステアリングホイールを電源コンセントに接続する前に:まず 最初にお読みください

ステアリングホイールの電源は、ご購入いただいた国によって異なります。  
主電源には以下のタイプがあります。

### 電源内蔵型:

- \* 電源ユニットがステアリングホイールのベース部に内蔵されており、A タイプのコネクターを搭載しています。
- \* 220~240 V 主電源ケーブル  
= 220~240V の電源コンセント専用です。

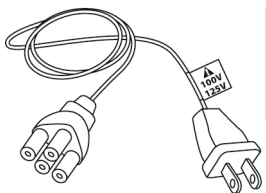


絶対に 220~240V の電源ケーブルを  
100~130V の電源コンセントに接続しないでください!  
絶対に、このケーブルを主電源アダプターに接続しない  
でください。



### 電源内蔵型:

- \* 電源ユニットがステアリングホイールのベース部に内蔵されており、A タイプのコネクターを搭載しています。
- \* 100~125 V 主電源ケーブル  
= 100~125 V の電源コンセント専用です。



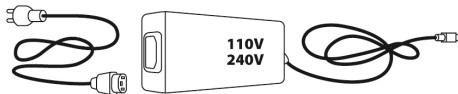
絶対に 100~125V の電源ケーブルを  
220~240V の電源コンセントに接続しないでください!  
絶対に、このケーブルを主電源アダプターに接続しない  
でください。



**重要:** 本製品をご使用になる地域の電源コンセントの電圧が分からない場合は、  
必ず管轄の電力会社などにお確かめください。

### 外部電源型:

- \* 外部電源ユニット B タイプのコネクター)
- \* 主電源ケーブル  
= 110~240V のすべての電圧に対応。



## 警告

本製品を使用する前にこのマニュアルをよくお読みになり、いつでも参照できるよう手近な所に保管してください。



### 警告 - 感電

- \*本製品は湿気・ホコリの多い場所や、直射日光のあたる場所で保管しないでください。
- \*コネクターやケーブルを、ねじったり引っ張ったりしないでください。
- \*本製品やコネクターをぬらさないでください。
- \*本製品をショートさせないでください。
- \*分解や改造は絶対にしないでください。本製品を火の中に投棄したり、高温にさらしたりしないでください。
- \*付属の電源ケーブル以外は使用しないでください。
- \*電源ケーブルやコネクターが破損していたり、裂けていたり、断線している場合は絶対に使用しないでください。
- \*電源ケーブルの片方がコンセントにしっかり差し込まれており、もう片方がステアリングホイールのベース部の背面にしっかりと接続されていることをご確認ください。
- \*ステアリングホイールを分解しないでください。内部にはユーザーが保守可能な部品はありません。修理はカスタマーサポートまでご依頼ください。
- \*メーカー指定のアタッチメント/アクセサリ以外は使用しないでください。
- \*ステアリングホイールの動作に異常（変なにおいや音、過度な発熱など）が発生したときは、使用をただちに中止し、電源コードをコンセントから抜き、他のケーブルもすべて抜いてください。
- \*ステアリングホイールを長期間使用しない場合は、必ず電源コードをコンセントから抜いておいてください。



### 排気口

ステアリングホイールのベース部にある排気口をふさがないでください。最適な換気を確保するため、以下を必ずお守りください。

- \*ステアリングホイールのベース部を、壁面から少なくとも 10cm 以上離してください。
- \*ベース部を狭いスペースに置かないでください。
- \*ベース部をふさがないでください。
- \*排気口にホコリがたまらないようにしてください。



ペダルセットは、裸足もしくは靴下しか着用していない状態で絶対に使用しないでください。

THRUSTMASTER® は、靴を着用せずにペダルセットを使用したことによって生じたいかなるケガについても一切責任を負いません。



## 警告 - フォースフィードバック、および繰り返しの動きによる負傷の可能性

### 可能性

フォースフィードバック対応ステアリングホイールを使ったゲームプレイは、筋肉や関節の痛みなどの症状を引き起こす恐れがあります。この危険性は、次のような予防措置をとることによって減らすことができます。

\*長時間のプレイは避けてください。

\*1 時間ごとに 10～15 分の休憩をとるようにしてください。

\*手、手首、腕、足を始めとする身体の部位に疲れや痛みを感じたときはプレイをただちに中止し、再開する前に数時間の休憩をとるようにしてください。

\*休憩後にプレイを再開しても、上記の症状や痛みがとれない場合は、プレイを中止して医師に相談してください。

\*本製品は、お子様の手の届かない場所で使用してください。

\*ゲームプレイ中は常に、ステアリングホイールの正しい位置に両手を置いて使用してください。ステアリングホイールから両手を完全に離さないでください。

\*ゲームプレイ中は、ペダルの下およびペダルセット付近に指を絶対に置かないでください。

\*調整中およびゲームプレイ中は、絶対に手や腕をステアリングホイールのすき間に置かないでください。

\*ステアリングホイールのベース部が、マニュアルの指示通りに正しく固定されていることを確認してください。

### 重量注意



本製品の対象年齢は  
16 歳以上です。



本製品を、自分や人に落とさないように  
ご注意ください。

正



誤



誤







### 警告 - ペダル挟まれ危険 (プレイ時)

- \*ペダルセットは、お子様の手の届かない場所で使用および保管してください。
- \*プレイ中は、ペダルの両サイド付近に指を絶対に置かないでください。
- \*ゲームプレイ中は、ペダルの後方ベース部付近に指を絶対に置かないでください。
- \*プレイ中は、ペダルのフロントベース部付近に指を絶対に置かないでください。

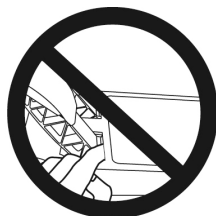
危険



危険



危険



### 警告 - ペダル挟まれ危険 (非プレイ時)

- \*ペダルセットは、子供の手が届かない安全な場所に保管してください。

## レーシングコントローラーのファームウェアのアップデート

ステアリングホイールのベース部に搭載されているファームウェアは、製品機能の改良・強化が図られた最新ファームウェアにアップデートすることが可能です。

お使いのステアリングホイールの現在のファームウェアバージョンを表示し、必要に応じてアップデートを行うには次の URL にアクセスしてください (PC から): <http://support.thrustmaster.com>。[ステアリングホイール/ T300 RS] をクリックし、[ドライバ] を選択してファームウェアのダウンロードおよびセットアップ手順にしたがってください。

### 重要な注意事項:

PC で使用時には、レーシングコントローラーのベース部にある USB スライドスイッチ (5) は常に「PS3」のポジションにセットしておく必要があります。

## ステアリングホイールをベース部に設置する

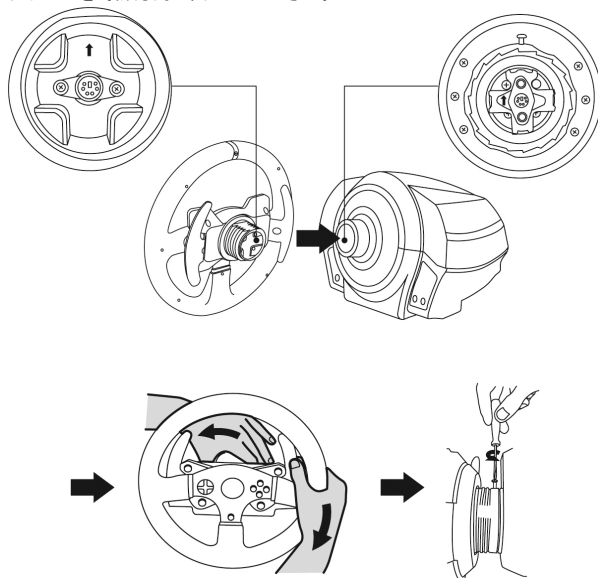
矢印を使って、コネクターの位置を合わせます。

ベース部 (1) コネクター: 上向き矢印

ステアリングホイール (2) コネクター: 上向き矢印

コネクターを正しい位置にセットしたら、Thrustmaster クイックリリース (12) デバイスのリングを、ステアリングホイール (2) の位置を固定しながら逆時計回りに回すだけです。

次に、リングをできるだけきつく締めます。リングの位置を固定した状態で、ステアリングホイールを時計方向に回してください。



ステアリングホイールをインストールしたら、180° 回転させることで (ステアリングホイールを正面から見たときロゴがさかさまになります)、Thrustmaster クイックリリース (12) デバイスのリング部にある小さな取り付けねじにアクセスできます。大きなプラスドライバーで、小さな取り付けねじを時計方向に回して締めます (締めすぎ注意)。

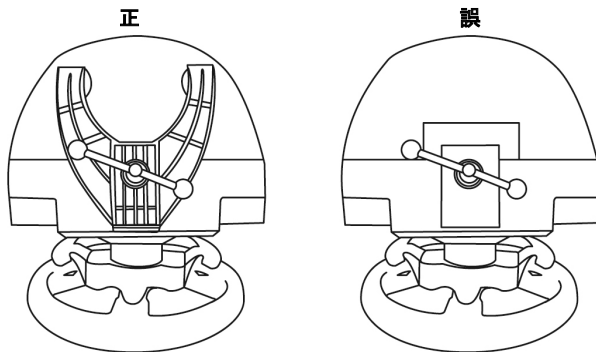


プラスドライバーで小さな取り付けねじを締める際には、力の入れすぎにご注意ください。少し抵抗を感じたら、それ以上ねじを回さないでください。

## ステアリングホイールを取り付ける

### ステアリングホイールをテーブルまたは机に取り付ける

1. ステアリングホイールを、テーブルなど平らで水平かつ、安定した場所に置きます。
2. アタッチメントシステム (10) に締め付けねじ (11) を差し込み、ねじを逆時計回りに回して、ステアリングホイール底面の大きなねじ穴 (9) に締め込みます (ステアリングホイールがしっかりと固定されるまで)。



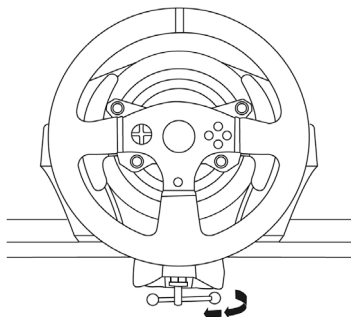
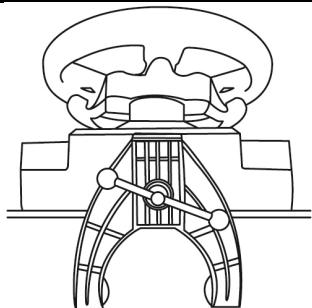
**警告：絶対に、アタッチメントシステムを取り付けずにねじだけを閉めないでください。ステアリングホイールが損傷する恐れがあります。**

取り付け / 取り  
外し

方向

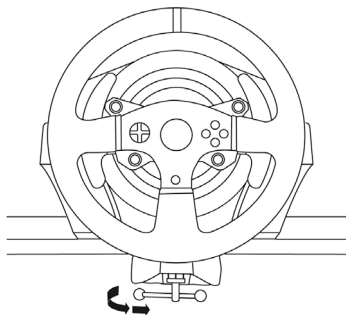
締めるとき:

ねじを  
逆時計回り



取り外すとき:

ねじを  
時計回り



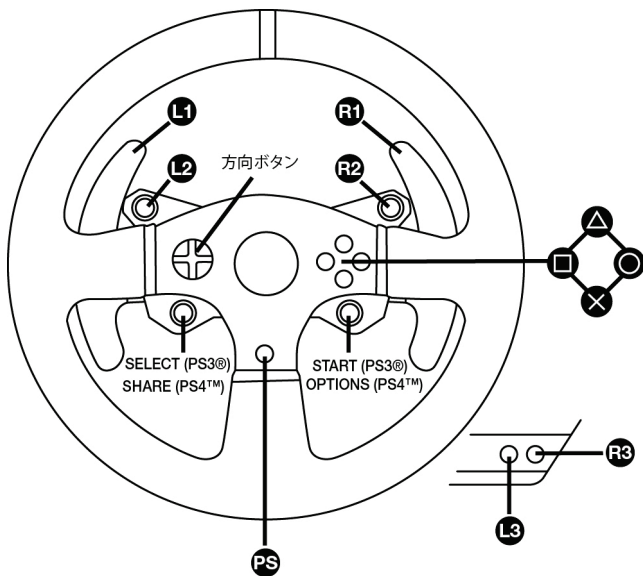
## ステアリングホイールのベース部をコックピットに取り付ける

1. ステアリングホイールのベース部を、コックピットの上に置きます。
2. 2本の M6 ねじ（付属していません）をコックピットに通し、ステアリングホイール底面の 2 つの小さなねじ穴に差し込みます。

**重要：**使用する M6 ねじ 2 本の長さが、コックピットの厚さ + 12 mm を超えないようにしてください。それよりも長いねじを使用すると、ステアリングホイールのベース部の内部部品が破損する恐れがあります。

3. 必要であれば、大きなねじ穴に締め付けねじを差し込んで、標準アタッチメントシステムを取り付けてください。

## PlayStation®3 / PlayStation®4 マッピング



## レーシングコントローラーを PlayStation®3 または PlayStation®4 用に セットアップする\*

1. ペダルセットを、ステアリングホイールのベース部背面にあるコネクター (17) に接続します。
2. 電源ケーブルを、ステアリングホイールのベース部背面にあるコネクター (14) に接続します。
3. 電源ケーブルを、同じ電圧仕様のコンセントに差し込んでください。



詳しくは本マニュアル 5 ページの「ステアリングホイールを電源コンセントに接続する前に」の項をご参照ください。

4. ステアリングホイールのベース部にある USB スライドスイッチ (5) は、ご使用のゲーム機またはゲームに応じて、「PS3」または「PS4」のポジションにセットしておく必要があります。
5. ステアリングホイールの USB コネクター (15) を、ゲーム機本体のいずれかの USB ポートに接続します。
6. ゲーム機の電源を入れると、ステアリングホイールの自動調整が行われます。
7. \*PlayStation®4 での使用時 (USB スライドスイッチ「PS4」セット時) このステアリングホイールを使用するには、PS ボタン (8) を押してから、Sony Entertainment Network アカウントにログインしてください。

**これでプレイの準備が整いました！**

## 重要な注意:

-PC で使用時には、レーシングコントローラーの USB ケーブルを接続する前に、ベース部にある USB スライドスイッチ (5) を常に「PS3」または「PS4」のポジションにセットしておく必要があります。スライドスイッチのポジションを変更するには、ゲーム機本体から USB を取り外し、スイッチのポジションを変更してから USB ケーブルをゲーム機本体につなぎ直します。

-PlayStation®3 で使用時には、USB スライドスイッチ (5) は常に「PS3」のポジションにセットしておく必要があります:

- \*このステアリングホイールは多くのゲームで T500RS として認識されます。
- \*このステアリングホイールは、互換性のあるゲームおよびシステムメニューで使用できます。
- \*このステアリングホイールでは PS ボタンを使用できます。

-PlayStation®4 での使用時には、USB スライドスイッチ (5) は「PS4」のポジションにセットしておく必要があります:

- \*このステアリングホイールを使用するには、PS ボタン (8) を押す必要があります。
- \*このステアリングホイールは多くのゲームで T300RS として認識されます。
- \*このステアリングホイールは、互換性のあるゲームおよびシステムメニューで使用できます。
- \*このステアリングホイールでは SHARE ボタンおよび PS ボタンを使用できます。

-T150 と互換性のある PlayStation®3 および PlayStation®4 ゲームの一覧 (および各ゲームプレイ時に必要となる USB スライドスイッチ (5) のポジション) は次の URL にて確認できます:

<http://support.thrustmaster.com>

[ステアリングホイール / T300 RS / ゲームの設定] をクリックしてください。

この一覧は定期的に更新されます。

## ステアリングホイールとペダルセットの自動調整

ステアリングホイールを電源コンセントにつなげて、ステアリングホイールの USB コネクタを PlayStation®3 または PlayStation®4 に接続すると、ステアリングホイールの自動調整が実行されます。

自動調整では、ステアリングホイールが左右方向に合計 1080° すばやく回転し、最後にセンターで停止します。



**警告：**

自動調整が行われている間は、絶対にステアリングホイールに触れないでください。調整が正しく行われなかったり、ケガをしたりする恐れがあります

## ペダルセットの自動調整

ステアリングホイールがゲーム機に接続されている状態、もしくはゲームプレイ中は、絶対にペダルセットをステアリングホイールのベース部に接続（またはベース分から取り外し）しないでください。調整が正しく行われない場合があります。

ペダルセットは必ず、ステアリングホイールをゲーム機に接続する前に、ステアリングホイールに接続してください。

ステアリングホイールの調整が完了してゲームが起動した後、ペダルを数回踏むとペダルは自動的に調整されます。



**警告：**

ペダルの自動調整が行われている間やゲームのロード中は、絶対にペダルを踏まないでください！調整が正しく行われない恐れがあります。

ステアリングホイールやペダルセットが正しく動作しない、あるいは調整が正しくないとと思われる場合：

ゲーム機本体の電源をオフにし、ステアリングホイールを完全に取り外します。次に、（電源ケーブルとペダルのセットを含む）すべてのケーブルをつなぎ直してから、ゲーム機本体とゲームを再起動してください。



## 内部温度センサー

このステアリングホイールには、冷却システムとしてヒートシンクとファンが搭載されています。

- ホイールの内部温度はサーモスタットによって監視されます。
- ゲームでステアリングホイールを使用中：
  - ステアリングホイール内部が一定の温度（ゲーム開始数分後、フォースフィードバックの強さ設定による）になると冷却ファンが動作を開始します。
  - フォース・フィードバックの効果は、ハンドルの温度がかなり高くなると直ちに自動的に小さくなります（モーターを保護するため）。温度が若干低くなると、フォース・フィードバック効果は再び強くなります。
- ゲーム終了時：ゲーム終了後も、熱慣性によりモーターは温度がしきい値まで下がるまで回り続けます。このステアリングホイールは、モーターを高温による損傷から守るための保護機構を搭載しています（冷却には、ゲーム中に達したモーターの温度に応じて 5 ～ 45 分間ほど要します）。

## MODE ボタンおよびインジケータランプ (6)

### ペダルセット用 MODE ボタン

アクセルとクラッチペダルは電子的にスワップできます。

スワップを行う場合は、MODE ボタン (6) を 2 秒間押し続けます。

ペダルのスワップ状態は、ステアリングホイールの内蔵メモリに保存されます。

アクセルとクラッチペダル	MODE インジケータ (6) の色
ノーマル	赤
スワップ	緑

### MODE ボタンに関するその他の情報

MODE ボタンおよびインジケータランプについてさらに詳しく知るには、<http://support.thrustmaster.com> をご覧ください。[ステアリングホイール / T300 RS] をクリックし、[マニュアル / FAQ] を選択してください。

**ヘルプ ファイルとよくある質問（本マニュアルには含まれていません）**

<http://support.thrustmaster.com> を参照してください。また、[ステアリングホイール / T300 RS] をクリックし、[マニュアル / FAQ] を選択してください。

## **レーシングコントローラーを PC 用にセットアップする\* レーシングコントローラーのファームウェアのアップデート**

\* PC との互換性は Sony Interactive Entertainment Inc. によって検証・承認されていません。

詳しくは <http://support.thrustmaster.com> を参照してください。

## **他の THRUSTMASTER 製品との互換性**

T300RS は、以下の Thrustmaster 製各種オプションと組み合わせ、操作の幅やリアリティを広げることができます。:

- 以下の脱着式 Thrustmaster ステアリングホイール: “Ferrari F1 Wheel Add-on\*”、“Ferrari GTE Wheel Add-on\*”、“T300RS PS Wheel”、“T500RS GT Wheel\*”。
- 以下の Thrustmaster ペダルセット: “T3PA\*” (Thrustmaster 3 Pedals Add-on) および T500RS ステアリングホイールのペダルセット。
- 以下の Thrustmaster シフトレバー(ギヤボックス): “TH8A\*” および “TH8RS\*”。

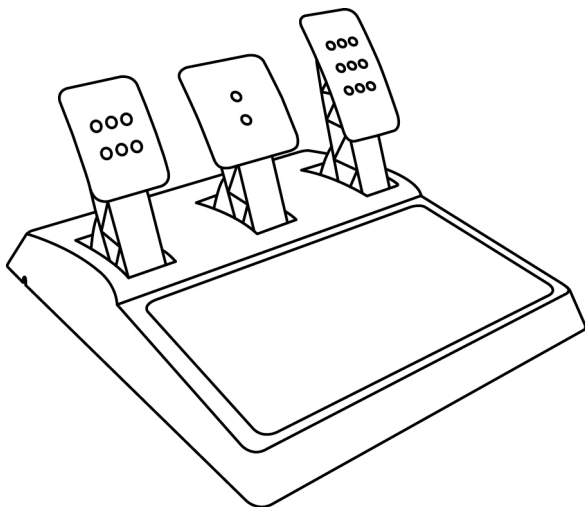
\* 別売 (詳しくは次の URL をご参照ください)

<http://www.thrustmaster.com/products/t300rs>。

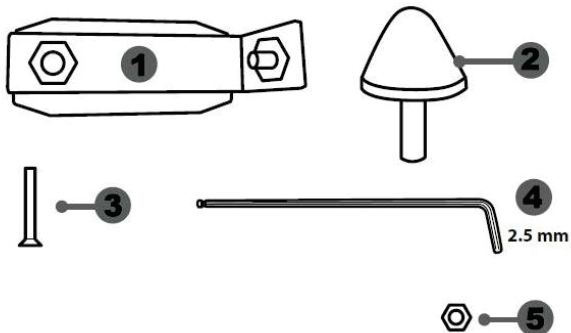
## **対応ゲームソフト**

\* 本製品が対応しておりますゲームソフトは以下の HP に記載されております。  
([http://www.thrustmaster.com/jp\\_JP/products/t300rs](http://www.thrustmaster.com/jp_JP/products/t300rs))

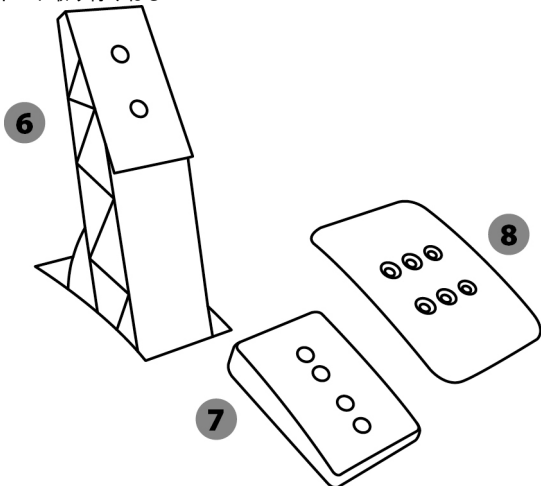
# T3PA – GT EDITION ペダルセット



## 技術仕様



- 1 円錐ストップ用金属サポート  
(出荷時には取り付けられていません)
- 2 円錐ストップ
- 3 金属サポート取り付けねじ
- 4 2.5 mm 六角レンチ (付属)
- 5 円錐ストップ位置調整ナット



- 6 ペダルアーム
- 7 プラスチック製ヘッドサポート
- 8 メタルペダルヘッド

## 警告

本製品をお使いになる前に、このマニュアルをしっかりと読みになり、いつでも参照できる場所に保管しておいてください。



ペダルセットは、裸足もしくは靴下しか着用していない状態で絶対に使用しないでください。安全のため、必ず靴を着用してください。  
THRUSTMASTER® は、靴を着用せずにペダルセットを使用したことによって生じたいかなるケガについても一切責任を負いません。



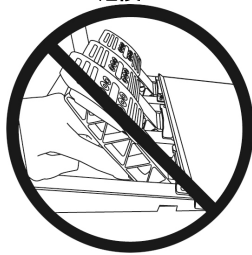
### 警告 - ペダルセット挟まれ危険

- \*ペダルセットは、お子様の手の届かない場所で使用および保管してください。
- \*プレイ中は、ペダルの両サイド付近に指を絶対に置かないでください。
- \*プレイ中は、ペダルの後方ベース部付近に指を絶対に置かないでください。
- \*プレイ中は、ペダルのフロントベース部付近に指を絶対に置かないでください。

危険



危険



危険



## ペダルの自動調整



### **重要：**

- 調整トラブルを避けるため、ステアリングホイールが PS3® または PS4™ に接続された状態で、ステアリングホイールのベース部からペダルセットを絶対に取り外さないでください。
- ペダルセットは必ず、PS3® または PS4™ に接続する前に、ステアリングホイールに接続してください。
- ステアリングホイールの自動調整が終了してゲームが起動すると、ペダルも数回踏まれることで自動的に調整されます。
- 調整トラブルを防ぐため、ゲームの起動中は絶対にステアリングホイールを動かしたり、ペダルを踏んだりしないでください。
- ペダルセットが正しく動作しない、あるいは調整が正しくないと思われる場合は、ゲーム機本体の電源をオフにし、ステアリングホイールを完全に取り外します。次に、（電源ケーブルとペダルのセットを含む）すべてのケーブルをつなぎ直してから、ゲーム機本体とゲームを再起動してください。

## ペダルセットをコックピットに取り付ける

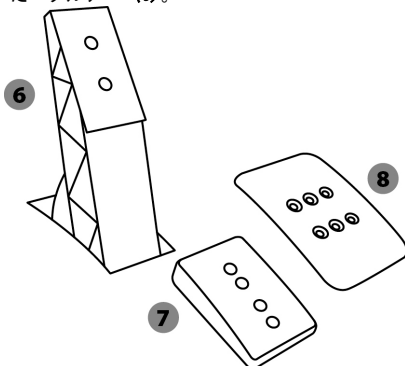
- ペダルセットを、ペダルセット底面のねじ山を使って取り付けます。
- 2 本の M6 ねじ（付属していません）をコックピットのペダルサポートプレートに通し、ペダルセット底面の 2 つの小さなねじ穴に差し込みます。

**重要：**使用する M6 ねじ 2 本の長さが、コックピットのペダルサポートプレートの厚さ + 10 mm を超えないようにしてください。それよりも長いねじを使用すると、ペダルセットの内部部品が破損する恐れがあります。

## ペダルセットの調整

3 つのペダルに含まれるもの:

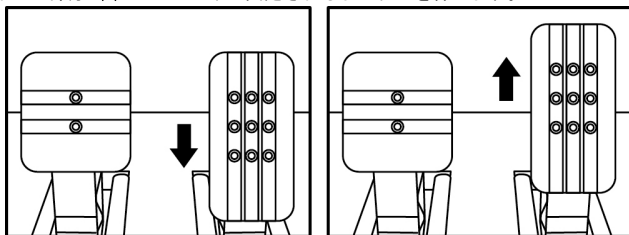
- 複数の穴が開いた金属製ヘッドヘッド (8) (アクセル用に 9 個、ブレーキ用に 2 個、クラッチ用に 6 個)。
- 4 個の穴が開けられた “プラスチック製ヘッドサポート (7)” (ヘッドとアームの間)。
- 2 個の穴が空いたペダルアー (6)。



**注意:**調整トラブルを防ぐため、ペダル セットの調整を行う前に、必ずステアリングホイールの USB ケーブルを PS3® または PS4™ から取り外してください。

### アクセルペダルの高さの調整

- 付属の 2.5mm 六角レンチ (4) で、“金属製ヘッド (8)” とそのサポート部分 (7) を固定している 2 個のねじを緩めて取り外します。
- 任意の高さポジションを選択してからねじを戻し、“金属製ヘッド (8)” とそのサポート部分 (7) がしっかりと固定されるまでねじを締めます。



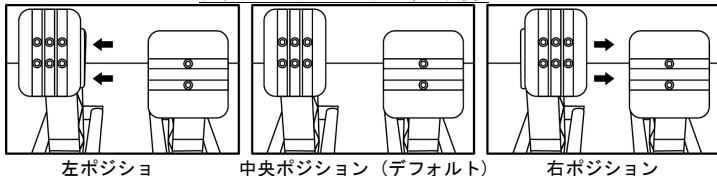
低ポジション (デフォルト)

高ポジション

## のスペース間隔の調整

- 付属の 2.5mm 六角レンチ (4) で、“金属製ヘッド (8)” とそのサポート部分 (7) を固定している 2 個のねじを緩めて取り外します。
- 任意のポジション (左、中央、右) を選択してからねじを戻し、“金属製ヘッド (8)” とそのサポート部分 (7) がしっかりと固定されるまでねじを締めます。

### クラッチペダルのセッティング例:



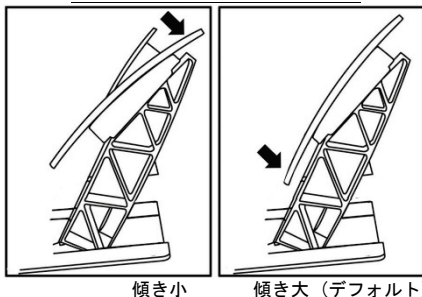
### ペダル毎にセッティング可能なスペース間隔ポジション数:

- アクセルペダル 3 ポジション
- クラッチペダル 3 ポジション

## ペダルの傾き調整

- 付属の 2.5mm 六角レンチ (4) で、“金属製ヘッド (8)” とそのサポート部分 (7) を固定している 2 個のねじを緩めて取り外します。
- プラスチック製ヘッドサポート (7) を 180° 回してからねじを戻し、“金属製ヘッド (8)” とそのサポート部分 (7) がしっかりと固定されるまでねじを締めます。

### アクセルペダルのセッティング例:



### ペダル毎にセッティング可能な傾きポジション数:

- アクセルペダル 2 ポジション
- ブレーキペダル 2 ポジション
- クラッチペダル 2 ポジション



## 円錐ストップの取り付け (“CONICAL RUBBER BRAKE” MOD)

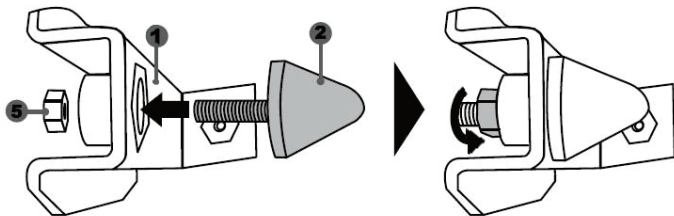
このカスタム変更 (MOD) は必須でないため、デフォルトでは取り付けられていません。この MOD が取り付けられていない場合、ブレーキペダルは最も標準的に動作します。

MOD を取り付けることで、ブレーキ時のフィーリングや抵抗をアレンジして楽しむことができます。

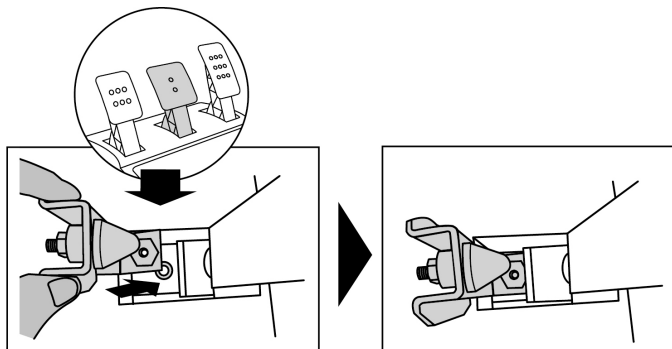
お好みに合わせてご利用ください。

-円錐ストップ (2) を、金属サポート (1) にねじで取り付けます。

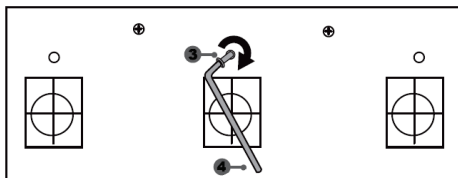
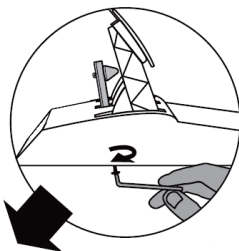
-位置調整ナット (5) を底部 (円錐ストップのねじ山) に取り付けます。



-円錐ストップをブレーキペダルのアーム部分にセットします。



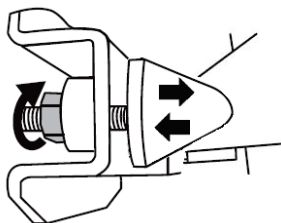
-付属の 2.5 mm 六角レンチ (4) を使い、円錐ストップをペダルセット底面にある小さな中央ねじ山に、取り付けねじ (3) を使って取り付けます。



これで“CONICAL RUBBER BRAKE” MOD の取り付けが完了しました！

## ブレーキペダルの可動域と抵抗強さの設定

ナット (5) を少し緩めて、円錐ストップ (2) をペダルアームのバックに近づけることで、ブレーキペダルの抵抗を強めることができます (必要に応じて、14 mm のスパナもしくはラジオペンチを使用して固定してください)。円錐ストップをペダルのアームのバックに近く取り付けるほど抵抗は大きくなります。



**注意:**円錐ストップがブレーキペダルのバックの非常に近くにあると、最大調整値に到達しにくくなる場合があります。そのような場合は:

ブレーキペダルを、最大値に達するまでゆっくり、かつ強く踏みつける (必要であれば、ペダルの上に一瞬立っても構いません)、あるいは円錐ストップをブレーキペダルのアームのバックからもう少し離します。

## 著作権

©2016 Guillemot Corporation S.A. All rights reserved. Thrustmaster® は、Guillemot Corporation S.A. の登録商標です。

“PlayStation”、“PS4”、“PS3”および“PS one”は株式会社ソニー・インタラクティブエンタテインメントの登録商標または商標です。

“Sony Entertainment Network”はソニー株式会社の商標です。

All rights reserved. その他、本書に記載の登録商標およびブランド名は、それぞれの所有者に帰属します。本書に含まれるイラストには法的拘束力はありません。本書に含まれる内容、設計および仕様は、事前の通告なしに変更される場合があります、また、各国で異なる場合があります。

Manufactured and distributed by Guillemot Corporation S.A.

### 環境保護推奨

国内の電気電子機器のリサイクル法を遵守してください。

リサイクルのための廃機器の収集地点や廃棄方法についての詳細は、お住まいの地域の自治体までお問い合わせください。

この情報は大切に保管してください。色や形状は実際の製品と異なる場合があります。本製品をご使用になる前に、プラスチック留め具や粘着テープなどはすべて取り除いてください。

[www.thrustmaster.com](http://www.thrustmaster.com)

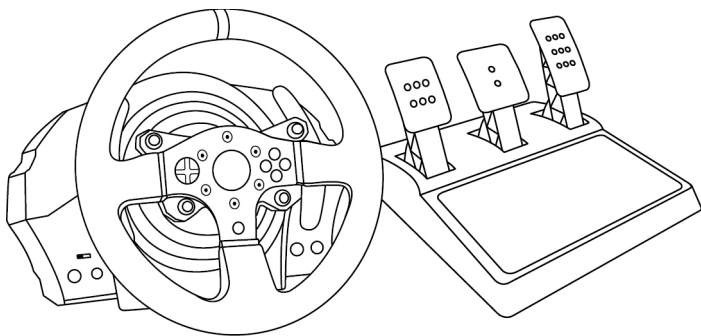
Made in China.



# T300RS

## GT 版

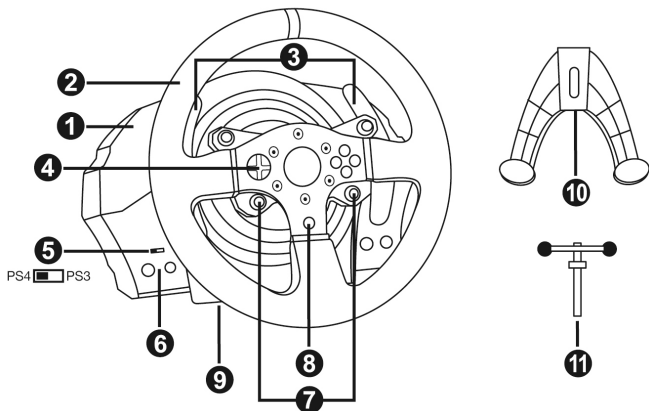
### 用户手册



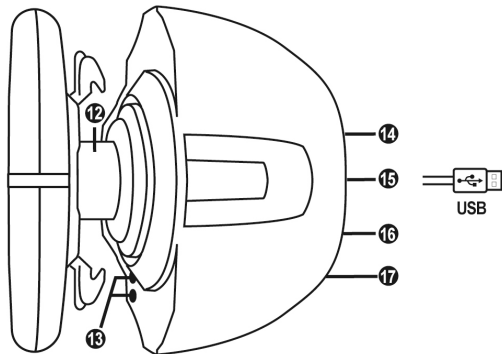
#### **警告：**

为了确保 T300 赛车方向盘在游戏过程中正常工作，可能需要安装游戏的自动更新（需将系统连接到互联网）。

## 技术特性



- |  |   |
|--|---|
| <p>1 T300 RS 底座</p> <p>2 法拉利 T300 GT 方向盘</p> <p>3 2 个连续换挡拨片 (向上、向下)</p> <p>4 方向按钮</p> <p>5 内置 USB 滑动开关<br/>(供 PS4™/PS3™ 使用)</p> <p>6 MODE (模式) 按钮 +<br/>红色/绿色指示灯</p> | <p>7 SELECT/START (选择/启动) 按钮<br/>(PS3™) ; SHARE/OPTIONS (分享/选项) 按钮 (PS4™)</p> <p>8 PS 按钮</p> <p>9 大螺纹孔<br/>(供附着系统和紧固螺钉使用)</p> <p>10 附着系统</p> <p>11 金属紧固螺钉</p> |
|--|---|



- |  |   |
|--|---|
| <p>12 Thrustmaster (图马思特) 快速拆卸</p> <p>13 L3/R3 按钮</p> <p>14 电源接头 (A 型或 B 型, 随国家而异)</p> | <p>15 赛车方向盘 USB 线缆和接口</p> <p>16 变速器接口 (变速器单独销售)</p> <p>17 踏板组接口</p> |
|--|---|

## 将赛车方向盘插入电源插座：继续进行之前请仔细阅读以下说明！

赛车方向盘的电源随购买设备所在的国家而异。

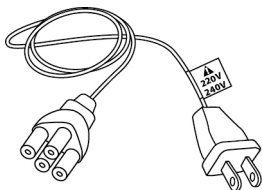
电源可采用以下类型：

### 中国大陆：内置，配有：

\* A 型接口电源部件，直接安装在赛车方向盘底座内部

\* 220-240V 电源线

= 只兼容 220-240V 供电电源。



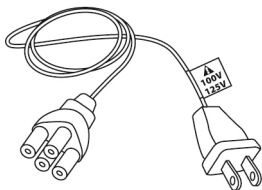
切勿将 220-240V 电源线连接到 100-130V 电源插座！切勿将该电源线连接到电源适配器！

### 台湾：内置，配有：

\* A 型接口电源部件，直接安装在赛车方向盘底座内部

\* 100-125V 电源线

= 只兼容 100-125V 供电电源。



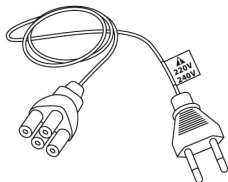
切勿将 100-125V 电源线连接到 220-240V 电源插座！切勿将该电源线连接到电源适配器！

**韩国：内置，配有：**

\* C 型接口电源部件，直接安装在赛车方向盘底座内部

\* 220-240V 电源线

= 只兼容 220-240V 供电电源。



**切勿将 220-240V 电源线连接到 100-130V 电源插座！切勿将该电源线连接到电源适配器！**

**重要说明：如果您不知道使用方向盘所在区域采用哪一种供电电压，请咨询当地的电力供应商。**

## 警告

使用本产品之前，请仔细阅读本手册并妥为保存供以后参考。



### 警告 — 电击

- \* 请将本产品置于干燥处，请勿将其暴露于灰尘或阳光下。
- \* 请勿扭曲或拉拽接口和线缆。
- \* 请勿将任何液体溅到产品或其接口上。
- \* 请勿使本产品短路。
- \* 切勿拆卸本产品；请勿将其投入火中以及暴露于高温下。
- \* 请使用随赛车方向盘提供的电源线，切勿使用除此之外的其他电源线。
- \* 如果线缆或者其接口损坏、开裂或破损，请勿使用电源线。
- \* 确保电源线正确插入电源插座，并正确连接到赛车方向盘底座背面的接口。
- \* 请勿打开赛车方向盘：里面没有用户可维修部件。任何维修必须由制造商、其授权代表或合格技术人员进行。
- \* 只能使用制造商指定的附着系统/配件。
- \* 如果赛车方向盘操作异常（如果其发出任何异常声音、热量或气味），请立即停止使用，将电源线从电源插座上拔掉并断开其他线缆。
- \* 如果较长一段时间不使用赛车方向盘，请将其电源线从电源插座上拔掉。



### 通气孔

确保未阻塞赛车方向盘底座上的任何通气孔。为了实现最佳通风，请确保做到以下几点：

- \* 方向盘底座与任何墙面至少保持 10cm 的距离。
- \* 请勿将底座置于任何狭窄空间。
- \* 请勿遮盖底座。
- \* 请避免灰尘在通气孔堆积。



**为安全起见，切勿赤脚或脚上只穿着袜子使用踏板组。**

**THRUSTMASTER® 对于在未穿鞋的情况下使用踏板组**

**而造成的伤害不承担任何责任。**





## 警告 — 力回馈和重复动作所导致的伤害

使用力回馈赛车方向盘玩游戏可能会导致肌肉或关节疼痛。如欲避免任何问题，请采取以下措施：

- \* 避免游戏时间过长。
- \* 游戏每进行一小时之后应休息 10 到 15 分钟。
- \* 如果感觉手、腕、臂、腿或脚出现任何疲劳或疼痛，请停止游戏并休息几个小时，然后再重新开始游戏。
- \* 重新开始游戏之后，如果症状或疼痛持续存在，请停止游戏并咨询医生。
- \* 请放在儿童接触不到的地方。
- \* 在游戏过程中，要始终保持双手在方向盘处于正确位置，而不是完全随意放置。
- \* 在游戏过程中，切勿将手或手指放在踏板下方或靠近踏板组的任何位置。
- \* 在校准和游戏过程中，切勿将手或手臂穿过赛车方向盘的开口。
- \* 确保赛车方向盘底座按照本手册的说明牢牢固定。

重型产品



本产品只能由年满 16 岁  
或以上的用户操作。



注意不要将产品掉落在自己  
或任何其他人士身上！

始终保持



绝对禁止



绝对禁止





### **警告 — 玩游戏时踏板组夹住危险**

- \* 请将踏板组放在儿童接触不到的地方。
- \* 在游戏过程中，切勿将手指放在踏板两侧或靠近踏板两侧的任何位置。
- \* 在游戏过程中，切勿将手指放在踏板后基座上或靠近踏板后基座的任何位置。
- \* 在游戏过程中，切勿将手指放在踏板前基座上或靠近踏板前基座的任何位置。

**绝对禁止**



**绝对禁止**



**绝对禁止**



### **警告 — 不玩游戏时踏板组夹住危险**

- \* 请将踏板组存放在安全的地方，放在儿童接触不到的地方。

## **更新赛车方向盘的固件**

可将封装在赛车方向盘底座的固件更新为具有产品增强功能的最新版本。

要显示赛车方向盘当前所使用的固件版本，如有需要则进行更新：在电脑上，访问以下网址 <http://support.thrustmaster.com>。区点击**方向盘/T300 RS**，然后选择**固件**并按照操作说明所描述的下载和安装过程进行。

### **重要提示：**

**在电脑上，赛车方向盘底座上的 USB 滑动开关 (5) 必须始终设置在 PS3™ 的位置。**

## 将方向盘安装在底座上

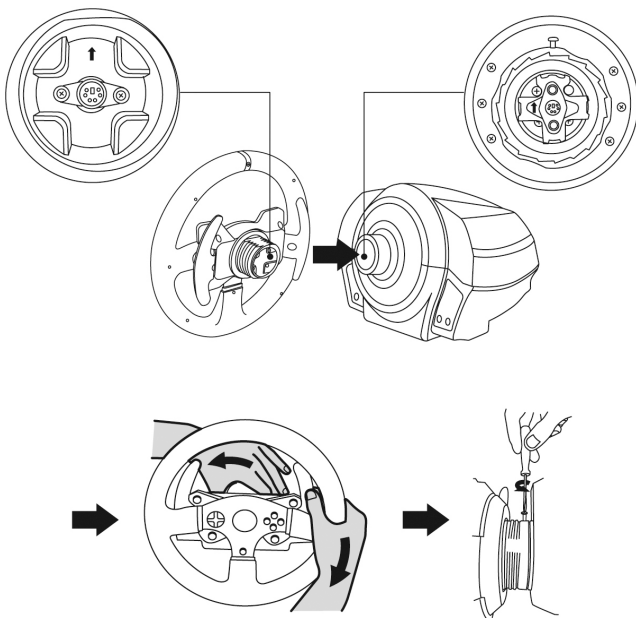
使用箭头对准接口位置：

**底座 (1) 接口：**箭头朝上

**赛车方向盘 (2) 接口：**箭头朝上

接口正确定位之后，只需将方向盘 (2) 保持在适当位置，同时逆时针方向旋转 Thrustmaster (图马思特) 快速拆卸 (12) 装置的套环。

然后，尽可能拧紧套环：要做到这一点，需将套环保持在适当位置并顺时针旋转赛车方向盘。



安装好方向盘之后，将其旋转 180°（面对方向盘时，GT 徽标应该是颠倒的）以贴近位于 Thrustmaster (图马思特) 快速拆卸 (12) 装置套环上的小连接螺钉。使用一把大菲利普斯螺丝刀顺时针转动小连接螺钉（请勿过度用力）将其拧紧。



拧紧小连接螺钉时请勿过度用力（使用菲利普斯螺丝刀）！

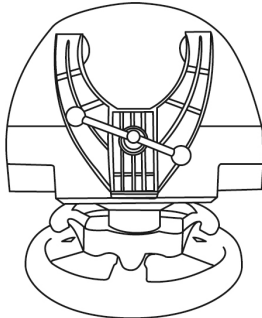
只要感觉遇到阻力请立即停止转动螺钉。

## 安装赛车方向盘

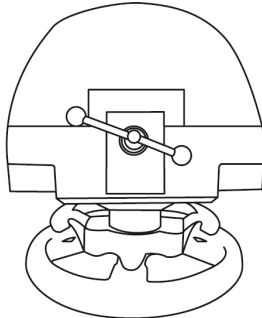
### 将赛车方向盘安装到桌子或桌面上

1. 将赛车方向盘放在桌子上或其他任何水平、平坦和稳定的表面上。
2. 将紧固螺钉 (11) 插入附着系统 (10)，然后逆时针方向转动螺钉将装置固定好，使其穿入位于赛车方向盘下方的大螺纹孔 (9)，直到方向盘完全稳固。

始终保持

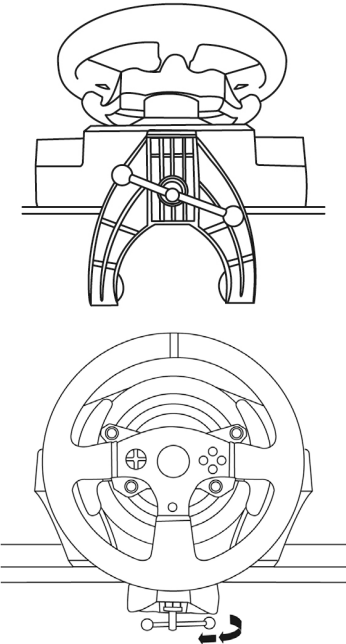
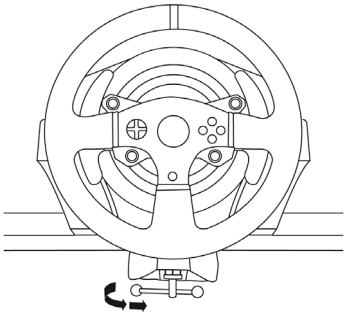


绝对禁止



**警告：**附着系统未安装到位的情况下，切勿单独拧紧螺钉！

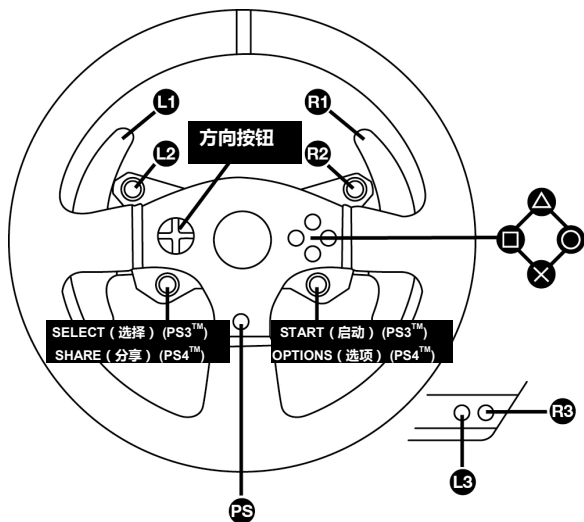
（否则可能会损坏赛车方向盘。）

连接/拆卸	方向
<p>如欲拧紧：</p> <p>逆时针方向 转动螺钉</p>	
<p>如欲拧开：</p> <p>顺时针方向 转动螺钉</p>	

## 将方向盘底座连接到驾驶舱

1. 将方向盘底座放到驾驶舱支架上。
2. 将两枚 M6 螺钉（未含）穿过驾驶舱支架，然后穿入位于赛车方向盘底部的两道小螺纹。  
重要说明：两枚 M6 螺钉的长度不得超过支架厚度 +12mm；更长的螺钉可能会损坏位于赛车方向盘底座之内的内部组件。
3. 如有需要，将紧固螺钉插入大螺纹孔来拧紧标准附着系统。

# PLAYSTATION®3 和 PLAYSTATION®4 映射图



## 设置 PLAYSTATION®3 或 PLAYSTATION®4 赛车方向盘

1. 将踏板组连接到位于赛车方向盘底座背面的接口 (17)。
2. 将电源线连接到位于赛车方向盘底座背面的接口 (14)。
3. 将电源线插入具有相同电压规格的电源插座。



有关此操作的更多信息，请参阅本手册第 3 页的“将赛车方向盘插入电源插座”部分。

4. 根据所使用的系统或游戏，将赛车方向盘底座上的 USB 滑动开关 (5) 设置在 PS3™ 或 PS4™ 的位置。
5. 将赛车方向盘的 USB 接口 (15) 连接到系统的其中一个 USB 端口。
6. 系统通电之后，赛车方向盘会自动校准。
7. 连接 PlayStation®4 (USB 滑动开关设置在 PS4™ 的位置时)：按赛车方向盘的 PS 按钮 (8) 登录索尼娱乐网帐户，以便能够使用方向盘。

现在可以开始玩游戏了！

### 重要提示：

- 将方向盘的 USB 线缆连接到系统之前，赛车方向盘底座上的 USB 滑动开关 (5) 必须始终设置在正确的位置 (PS3™ 或 PS4™)。如欲改变滑动开关的位置，请从系统断开 USB 线缆的连接，然后在重新将 USB 线缆连接到系统之前改变开关的位置。
- 连接 PlayStation®3 时，USB 滑动开关 (5) 必须始终设置在 PS3™ 的位置：
  - \* 方向盘在大多数游戏中被识别为 T500RS 方向盘。
  - \* 方向盘可在兼容游戏和系统菜单中正常工作。
  - \* 方向盘上的“PS”功能可正常工作。
- 连接 PlayStation®4 而 USB 滑动开关 (5) 处于 PS3™ 的位置时：
  - \* 方向盘在大多数游戏中被识别为 T500RS 方向盘。
  - \* 方向盘可在兼容游戏中正常工作，但在系统菜单中无法工作。
  - \* 方向盘上的“SHARE (分享)”和“PS”功能无法工作。
- 连接 PlayStation®4 而 USB 滑动开关 (5) 处于 PS4™ 的位置时：
  - \* 为了能够使用方向盘，请勿忘记按赛车方向盘的 PS 按钮 (8)。
  - \* 方向盘在大多数游戏中被识别为 T300 RS 方向盘。
  - \* 方向盘可在兼容游戏和系统菜单中正常工作。
  - \* 方向盘上的“SHARE (分享)”和“PS”功能可正常工作。



- 可访问以下网址查看与 T300 RS 兼容的 PlayStation®3 和 PlayStation®4 游戏列表（以及根据所玩游戏需要设置的 USB 滑动开关 (5) 的位置）：  
<http://support.thrustmaster.com/>  
区点击方向盘/T300 RS/游戏设置。该列表定期更新。

## 赛车方向盘和踏板组自动校准

将赛车方向盘插入电源插座并将赛车方向盘的 USB 接口连接到系统时，方向盘会自动进行自校准。

在此阶段，方向盘会快速向左、向右旋转，转动角度达 1080 度，然后停在中央。



**警告：**

**在自校准阶段切勿触摸赛车方向盘！否则可能会导致校准不正确和/或人身伤害。**

## 踏板组自动校准

连接到系统时或在游戏进行过程中，切勿将踏板组连接到赛车方向盘底座（或断开其与底座的连接）（否则可能会导致校准不正确）

将赛车方向盘连接到系统之前，要始终先连接踏板组。

赛车方向盘校准完成并且启动游戏之后，按几下即可自动对踏板进行校准。



**警告：**

**在赛车方向盘自校准阶段或游戏加载过程中切勿触摸踏板！否则可能会导致校准不正确**

**如果赛车方向盘和/或踏板组无法正常工作，或者似乎未能正确校准，请执行以下操作：**关闭系统电源并完全断开赛车方向盘的连接。然后重新连接所有线缆（包括电源线和踏板组），重新启动系统和游戏。

## 内部温度传感器

方向盘的冷却系统由一个散热器和一个风扇组成。

- 恒温器监测方向盘的内部温度。
- 在游戏中使用方向盘时：
  - 方向盘达到特定温度时冷却风扇即会启动（会在游戏开始几分钟之后启动，取决于所使用的力回馈效应的强度）。

- 方向盘达到更高的温度水平时，力回馈效应的功率会自动降低（以保护电机）。  
温度稍有降低，这些效应的功率就会自动提高。
- 结束游戏之后，由于电机的热惯性，冷却风扇会继续工作，直到温度降至风扇启动时的温度水平之下。方向盘的这种设计方式旨在便于冷却从而保护电机车（这一过程可能需要 5 到 45 分钟，取决于在游戏中使用方向盘时所达到的温度）。

## MODE（模式）按钮和指示灯 (6)

### 踏板组 MODE（模式）按钮

可通过电子方式交换加速和离合器踏板。

要执行该操作，只需按下 MODE（模式）按钮 (6) 并保持 2 秒钟。

赛车方向盘的内置存储器存储了踏板是否进行过交换的信息。

油门和离合器踏板	MODE（模式）指示灯 (6) 的颜色
正常	红色
已交换	绿色

### MODE（模式）按钮的其他信息

如欲了解 MODE（模式）按钮和指示灯的更多信息，请访问以下网址：

<http://support.thrustmaster.com>。

区点击[方向盘/T300 RS](#)，然后选择[手册/常见问题解答](#)。

## 帮助文件和常见问题解答（未包含在本手册中）

请访问以下网址 <http://support.thrustmaster.com>，区点击[方向盘/T300 RS](#)，然后选择[手册/常见问题解答](#)。

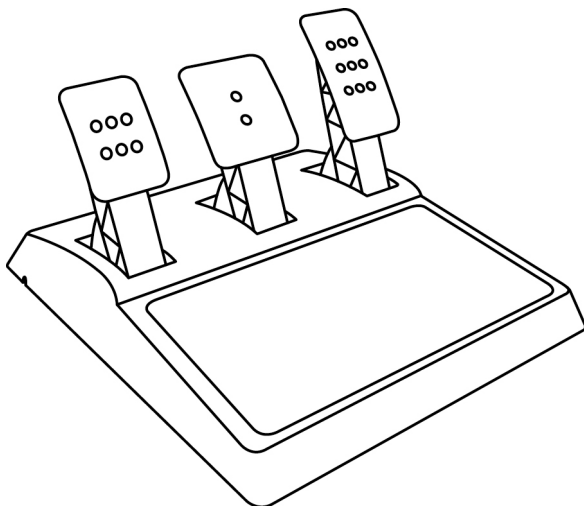
### 设置电脑赛车方向盘\*

#### 更新赛车方向盘的固件

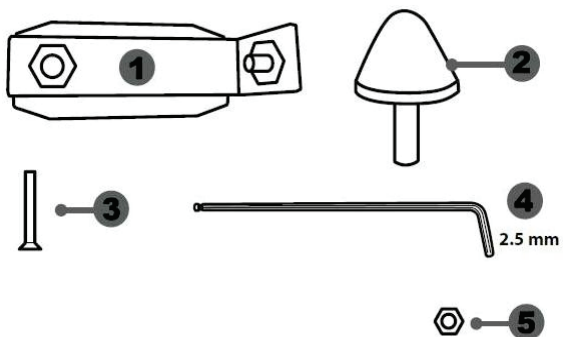
\*电脑兼容性未经过测试，也未获得索尼互动娱乐支持

如欲了解更多信息，请访问以下网址：<http://support.thrustmaster.com>。

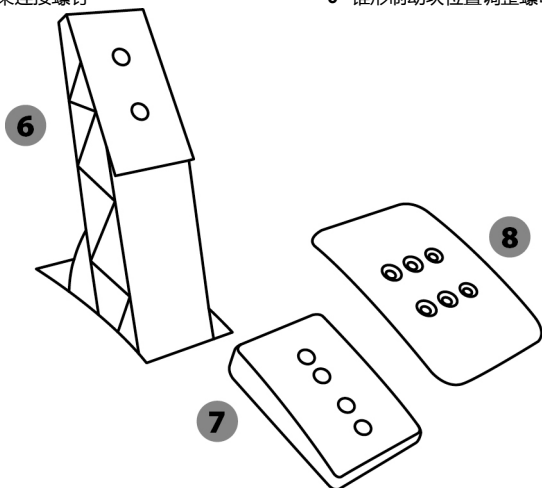
# T3PA – GT EDITION 踏板组



## 技术特性



- 1 锥形制动块金属支架（默认情况下未安装）
- 2 锥形制动块
- 3 金属支架连接螺钉
- 4 2.5mm 艾伦内六角扳手（随附）
- 5 锥形制动块位置调整螺母



- 6 踏板臂
- 7 塑料踏板头支架
- 8 金属踏板头

## 警告

使用本产品之前，请确保仔细阅读这些说明并妥为保存供以后参考。



为安全起见，切勿赤脚或脚上只穿着袜子使用踏板组。  
THRUSTMASTER® 对于在未穿鞋的情况下使用踏板组  
而造成的伤害不承担任何责任。



### 警告 — 游戏期间踏板组夹住危险

- \* 请将踏板组放在儿童接触不到的地方。
- \* 在游戏期间，切勿将手指或拇指放在踏板两侧或靠近踏板两侧的位置。
- \* 在游戏期间，切勿将手指或拇指放在踏板后基座上或靠近踏板后基座的位置。
- \* 在游戏期间，切勿将手指或拇指放在踏板前基座上或靠近踏板前基座的位置。

绝对禁止



绝对禁止



绝对禁止



## 踏板自动校准



### **重要说明：**

- 方向盘连接到 PS3™ 或 PS4™ 时或在游戏期间，切勿将踏板组连接到赛车方向盘底座或断开其与底座的连接，以避免出现校准问题。
- = 将方向盘连接到 PS3™ 或 PS4™ 之前，要始终先连接踏板组。
- 方向盘完成自校准且游戏启动之后，踏板踩下几次之后就会自动进行自校准。
- 方向盘进行自校准或游戏启动时切勿踩踏板，以避免出现校准问题。
- 如果或踏板无法正常工作，或者似乎未能正确校准，请关闭系统电源，完全断开方向盘的连接，然后重新连接所有线缆（包括电源线和踏板组线缆），恢复系统供电并重新启动游戏。

## 将踏板组连接到驾驶舱

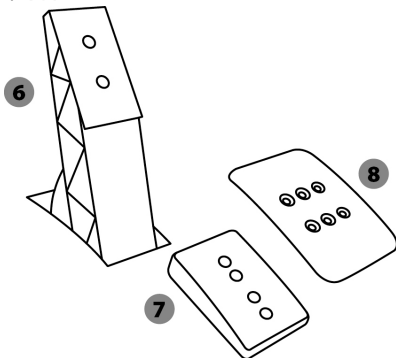
- 使用位于踏板组底部的小螺纹进行连接。
- 将两枚 M6 螺钉（未随附）拧入驾驶舱的踏板支撑板，并穿入位于踏板组底部的两道小螺纹。

**重要说明：**两枚 M6 螺钉的长度不得超过驾驶舱的踏板支撑板厚度另外加上 10mm；以避免损坏踏板组的内部组件。

## 调整踏板组

三个踏板中的每一个都包含以下部件：

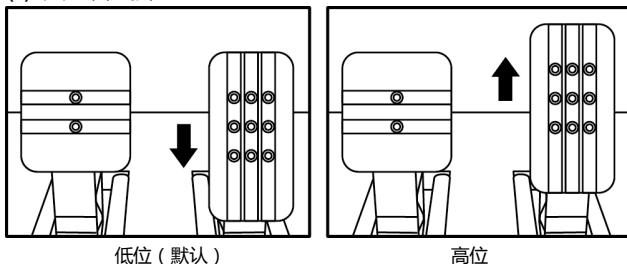
- 金属踏板头 (8)，带多个穿孔（加速踏板 9 个— 刹车踏板 6 个— 离合器踏板 6 个）
- 塑料踏板头支架 (7)（位于踏板头和踏板臂之间），带 4 个穿孔。
- 踏板臂 (6)，带 2 个穿孔。



**注意：**为了避免出现校准问题，在对踏板组进行任何调整之前，请确保始终先断开方向盘的 USB 线缆与 PS3™ 或 PS4™ 的连接。

### 调整加速踏板的高度

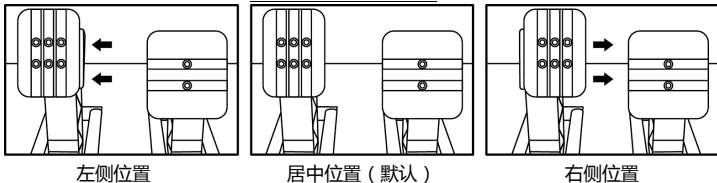
- 使用随附的 2.5mm 艾伦内六角扳手 (4) 拧开固定金属踏板头 (8) 及其支架 (7) 的两个螺钉。
- 选择所偏好的高度位置，然后重新装好螺钉并拧紧，使得金属踏板头 (8) 及其支架 (7) 牢牢地固定就位。



## 调整间距

- 使用随附的 2.5mm 艾伦内六角扳手 (4) 拧开固定金属踏板头 (8) 及其支架 (7) 的两个螺钉。
- 选择所偏好的位置 (靠左、居中或靠右), 然后重新装好螺钉并拧紧, 使得金属踏板头 (8) 及其支架 (7) 牢牢地固定就位。

离合器踏板实例图示：



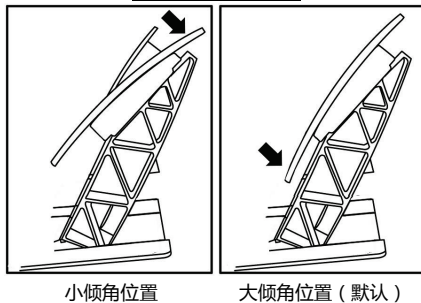
每个踏板的可能间距位置数目：

- 加速踏板三个
- 离合器踏板三个

## 调整踏板的倾角

- 使用随附的 2.5mm 艾伦内六角扳手 (4) 拧开固定金属踏板头 (8) 及其支架 (7) 的两个螺钉。
- 将塑料踏板头支架 (7) 转动 180°, 然后重新装好螺钉并拧紧, 使得金属踏板头 (8) 及其支架 (7) 牢牢地固定就位。

加速踏板实例图示：





每个踏板的可能倾角位置数目：

- 加速踏板两个
- 刹车踏板两个
- 离合器踏板两个

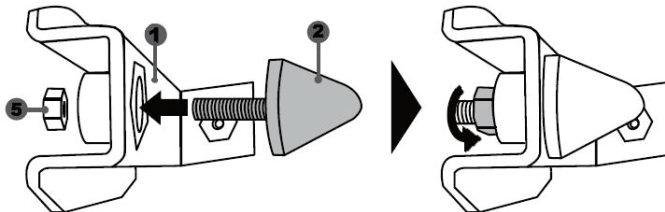
## 安装锥形制动块（“锥形橡胶刹车”mod）

这种改造（或“mod”）并非必要，默认情况下未安装。这意味着即使未安装 mod，刹车踏板也可完全正常工作。

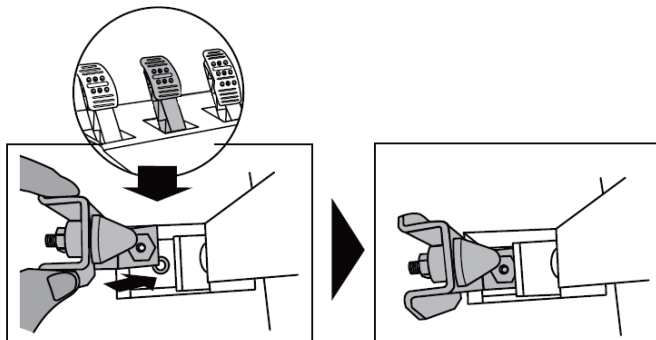
通过该 mod 可在刹车时体验不同的感觉和阻力。

可根据个人偏好决定是否安装。

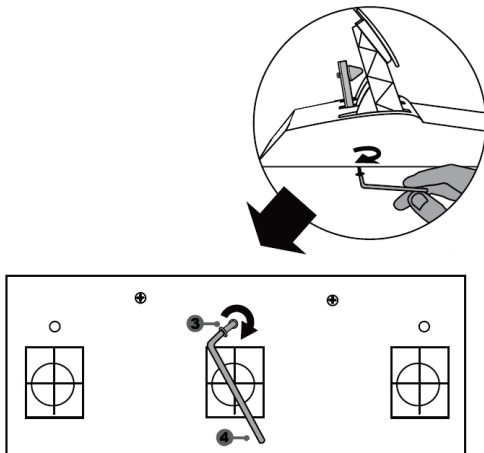
- 将锥形制动块 (2) 拧到其金属支架 (1) 上。
- 将位置调整螺母 (5) 拧到末端（拧到锥形制动块的螺纹上）。



- 将该部件装在单元刹车踏板臂的背面。



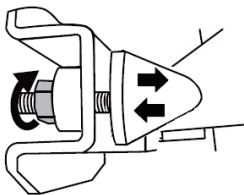
- 使用随附的 2.5mm 艾伦内六角扳手 (4)，通过连接螺钉 (3) 和位于踏板组底部的小中央螺纹安装该部件。



此时“锥形橡胶刹车” mod 已经安装完成！

### 调整刹车踏板的行程范围和阻力强度

稍稍拧松螺母(5)，通过将锥形制动块(2) 移动至更靠近踏板臂背面的位置，可进一步提高刹车踏板的阻力（如有需要，可使用 14mm 扳手或钳子重新拧紧螺母并保持选定位置）。锥形制动块距离踏板臂背面越近，阻力强度就会越大。



**注意：**锥形制动块距离刹车踏板臂背面非常近的情况下，可能会难以达到最大校准值。如果出现这种情况，可采取以下措施：

- \* 慢慢地用力踩刹车踏板以达到最大校准值（如有必要，在踏板上站立片刻 — 只保持一秒钟），然后松脚；或者
- \* 将锥形制动块移动至距离刹车踏板臂背面稍远的位置。

## 版权所有

© 2016 Guillemot Corporation S.A. 保留所有权利。Thrustmaster® 是 Guillemot Corporation S.A. 的注册商标。“”、“PlayStation”、“PS3”、“PS4”和“”是 Sony Interactive Entertainment Inc. 的注册商标。的商标。所有其他商标是其各自所有者的财产。产品图片不具约束力。以上内容、设计和规格若有变更，恕不另行通知。并且，以上信息可能因国家不同而不同。中国制造。



# T300RS

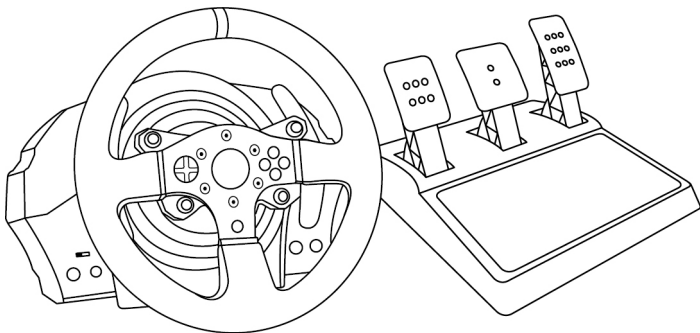
## GT Edition

ENGLISH

中文

한국어

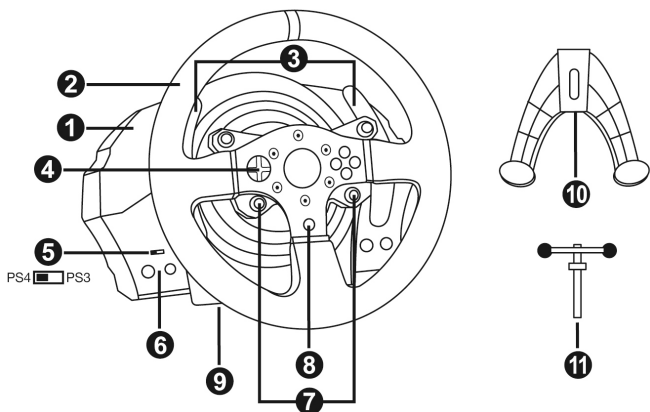
### 使用說明書



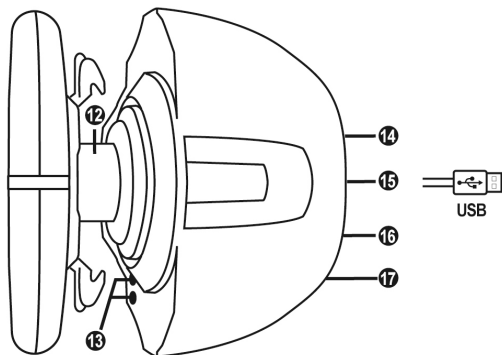
#### **警告：**

為確保 T300 賽車方向盤在遊戲時能正常運作，請安裝遊戲的自動更新  
(更新會在主機連接到網絡時進行)。

## 技術特點



- |  |  |
|--|--|
| <p>1 T300 RS 底座</p> <p>2 法拉利 T300 GT 方向盤</p> <p>3 2 組變速槳 (上 &amp; 下)</p> <p>4 方向按鈕</p> <p>5 內置 PS4™/PS3™ USB 滑動開關</p> <p>6 MODE (模式) 按鈕 + 紅色/綠色指示燈</p> | <p>7 PS3™ 的 SELECT (選擇)/START (開始) 按鈕及 PS4™ 的 SHARE (分享)/OPTIONS (選項) 按鈕</p> <p>8 PS 按鈕</p> <p>9 大螺絲孔 (供固定裝置及固定螺桿使用)</p> <p>10 固定裝置</p> <p>11 金屬固定螺桿</p> |
|--|--|



- |  |   |
|--|---|
| <p>12 圖馬思特快速拆卸裝置</p> <p>13 L3/R3 按鈕</p> <p>14 電源接頭 (A 型或 B 型) (視國家而不同)</p> | <p>15 賽車方向盤 USB 連接線及接頭</p> <p>16 變速箱接頭 (變速箱另售)</p> <p>17 腳踏板組接頭</p> |
|--|---|

## 將賽車方向盤連接到電源插座：進行前請先閱讀以下事項！

賽車方向盤的電源線視購買產品的國家而有所不同。

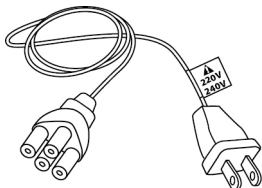
電源線可能為：

**中國大陸：內部電源，連同：**

\* 已直接安裝於方向盤底座內的電源裝置，附 A 型接頭

\* 220-240V 電源線

= 僅兼容 220-240V 電源



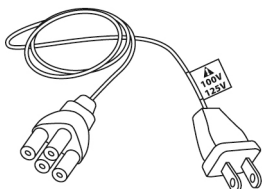
**切勿將 220-240V 電源線連接到 100-130V 電源插座！切勿將此電源線連接到電源適配接頭！**

**台灣：內部電源，連同：**

\* 已直接安裝於方向盤底座內的電源裝置，附 A 型接頭

\* 100-125V 電源線

= 僅兼容 100-125V 電源



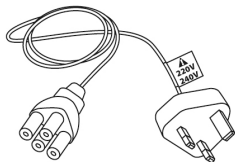
**切勿將 100-125V 電源線連接到 220-240V 電源插座！切勿將此電源線連接到電源適配接頭！**

**香港：內部電源，連同：**

\* 已直接安裝於方向盤底座內的電源裝置，附 G 型接頭

\* 220-240V 電源線

= 僅兼容 220-240V 電源



**切勿將 220-240V 電源線連接到 100-130V 電源插座！切勿將此電源線連接到電源適配接頭！**

**重要提示：如果您不知道方向盤使用地的供電電壓，請諮詢當地的供電商。**

## 警告

使用本產品前，請仔細閱讀本手冊，並將其保存以供日後參考。



### 注意 - 慎防觸電

- \* 請將本產品存放於乾燥通風處，切勿暴露在灰塵或日光下。
- \* 請勿捲曲或拉扯接頭及電源線。
- \* 請勿讓任何液體濺到本產品或其接頭上。
- \* 請勿讓本產品發生短路。
- \* 切勿拆卸本產品；請勿將產品擲入火中或暴露在高溫環境下。
- \* 請勿使用其他非賽車方向盤隨附的電源線。
- \* 電源線或接頭如有損壞、斷裂或破損時，請勿使用。
- \* 請確保電源線的插頭已正確插入電源插座，並與賽車方向盤背面的底座正確連接。
- \* 請勿打開賽車方向盤：內裏零件並不提供保養服務。如有任何問題，請交由製造商、授權代理商或技術人員進行維修。
- \* 請只使用製造商指定的固定裝置/配件。
- \* 如方向盤運作出現異常（如發出異常聲音、發熱或有異味時），請立即停止使用，並從電源插座拔除電源線及其他連接線。
- \* 長時間不使用方向盤時，請將電源線的插頭從電源插座拔出。
- \* 使用中之電線切勿纏繞、重壓或貼近潮濕、高熱環境；移除電線插頭時，應手握插頭拔除，避免以拉扯電線之方式拔除，以免造成內部銅線斷裂；請時常清除插頭、插座外部累積之灰塵，以避免積污導電，影響安全。
- \* 非專業技術維修人員，不得自行拆解、改裝電線，以免發生危險。



### 通風口

請勿堵塞賽車方向盤底座的通風口。為確保最佳的通風，請遵循以下指示：

- \* 請將方向盤底座與牆壁保持 10 cm 以上的距離。
- \* 請勿將底座置於狹窄處。
- \* 請勿以任何物品覆蓋底座。
- \* 請勿讓灰塵在通風口堆積。



**為確保安全，請勿在赤腳或僅穿襪子時使用腳踏板組。**

**使用腳踏板組時若因未穿鞋而導致受傷，Thrustmaster® (圖馬思特) 概不負責。**



### 注意 - 因力回饋及重複動作而可能造成的損傷

使用力回饋賽車方向盤可能會導致肌肉或關節疼痛。為免造成損傷：

- \* 避免長時間遊玩。
- \* 每玩一小時請至少休息 10 至 15 分鐘。
- \* 若雙手、手腕、手臂、雙腳或腿部感到疲勞或疼痛，請停止遊玩，並休息幾小時後才繼續遊玩。
- \* 若再次遊玩時仍有上述症狀或疼痛，請停止遊玩，並求醫診治。
- \* 請放在小孩無法觸及的地方。
- \* 遊玩期間請將雙手放在方向盤的正確位置，避免方向盤隨意轉動。
- \* 遊玩期間請勿將雙手或手指伸往腳踏板之下或腳踏板組附近。
- \* 在校準及遊玩期間，請勿將手或手臂穿過方向盤。
- \* 請確保賽車方向盤底座已按照用戶手冊的指示正確安裝。

### 重物



使用者需年滿 16 歲



小心別讓本產品掉落至您或任何人身上！



保持



禁止



禁止



### 注意 - 遊玩時請小心別被腳踏板組夾傷

- \* 請將腳踏板組放在小孩無法觸及的地方。
- \* 遊玩期間，請勿將手指放在腳踏板邊緣或附近。
- \* 遊玩期間，請勿將手指放在腳踏板後方或附近。
- \* 遊玩期間，請勿將手指放在腳踏板前方或附近。

禁止



禁止



禁止



### 注意 - 非遊玩時亦請小心別被腳踏板夾傷

- \* 請將腳踏板組放在安全且小孩無法觸及的地方。

## 更新賽車方向盤的韌體

將賽車方向盤底座的韌體更新為最新版本，可以改善產品性能。

若要確認所使用的賽車方向盤目前的韌體版本，並進行更新：請使用個人電腦前往 <http://support.thrustmaster.com>。在「方向盤/T300 RS」，並選擇「韌體」，然後遵循指示進行下載及安裝程序。

### 重要說明：

在 PC 上，遊戲賽車方向盤上的 USB 滑動開關 (5) 必須總是設於 PS3™ 位置。

## 將方向盤安裝至底座

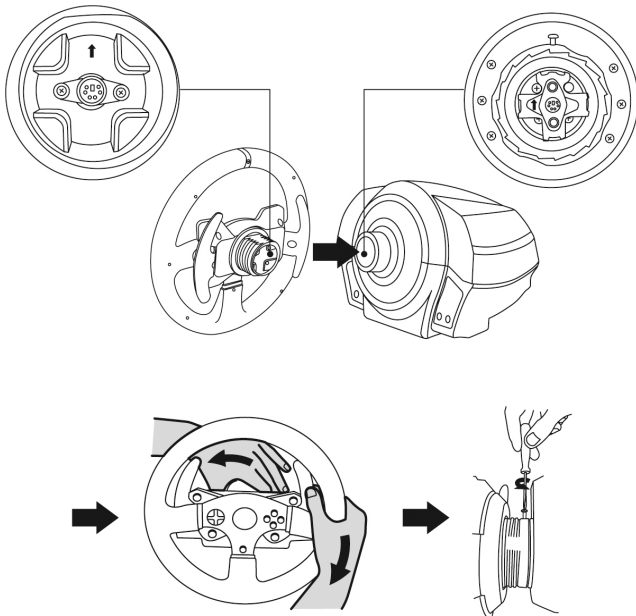
依照箭頭方向對準接頭位置：

**底座 (1) 接頭：**箭頭方向往上

**賽車方向盤 (2) 接頭：**箭頭方向往上

接頭插入正確位置後，將賽車方向盤 (2) 固定在適當位置，並逆時針旋轉圖馬思特快速拆卸裝置 (12) 的裝置環。

然後，盡可能擰緊裝置環：將裝置環固定在適當位置，並順時針旋轉賽車方向盤。



方向盤安裝完畢後，將其旋轉 180° ( 面朝方向盤時，GT 標誌為顛倒狀態 )，會見到圖馬思特快速拆卸裝置 (12) 裝置環上的小型安裝螺絲。使用大型十字螺絲起子以順時針方向來擰緊小型安裝螺絲 ( 請勿過度用力 )。



擰緊小型安裝螺絲時，請勿過度用力

( 使用大型十字螺絲起子 ) !

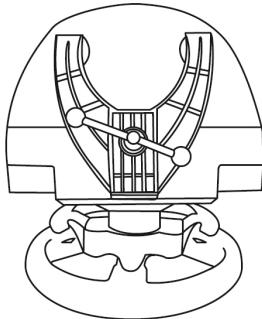
感到有阻力時，請停止轉動螺絲。

## 安裝賽車方向盤

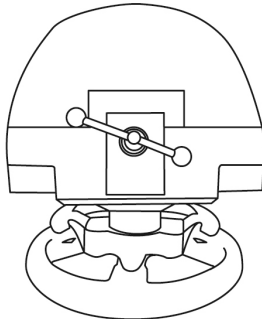
### 將賽車方向盤固定在桌面上

1. 將賽車方向盤置於餐桌或其他保持水平、平坦且穩定的平面上。
2. 將固定螺桿 (11) 插入固定裝置 (10)，然後以逆時針方向將螺桿擰入賽車方向盤下方的大螺孔 (9)，直至方向盤完全固定為止。

保持

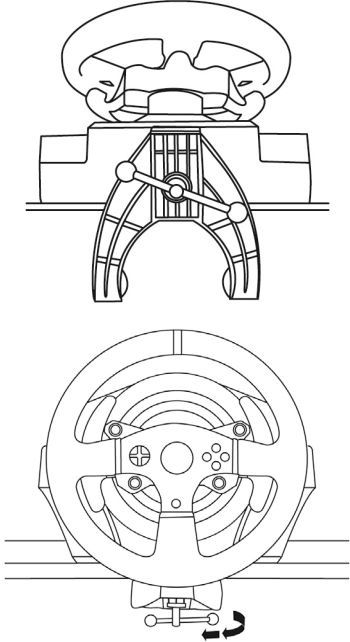
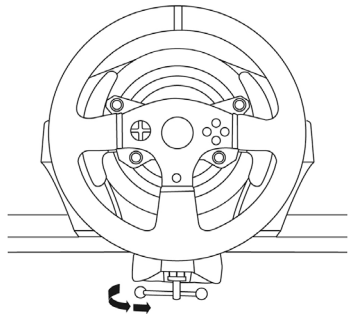


禁止



**警告：**切勿在裝置固定完畢前擰緊螺桿！

( 以免賽車方向盤損壞 )

組裝/拆卸	方向
<p><b>擰緊：</b> 以逆時針方向轉入</p>	
<p><b>鬆開：</b> 以順時針方向轉出</p>	

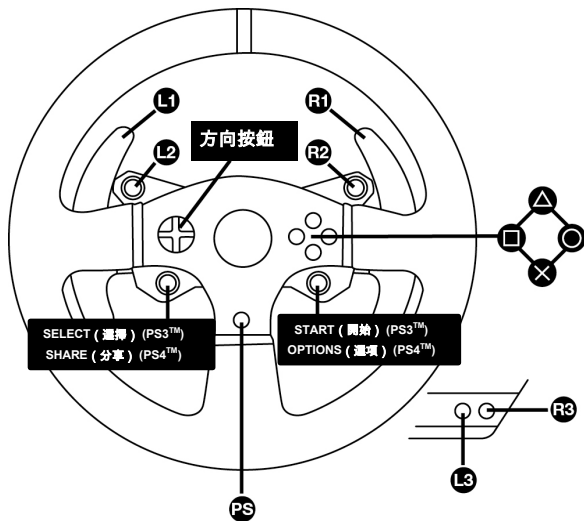
## 安裝賽車方向盤底座至駕駛座

1. 將賽車方向盤底座置於駕駛座框架上。
2. 將 2 顆 M6 螺絲 ( 不隨附 ) 穿過駕駛座框架，並擰進腳踏板組底部的 2 個小螺絲孔。

重要說明：2 顆 M6 螺絲的長度不能超出框架厚度 + 12 mm，螺絲過長可能會造成腳踏板組內部的零件損壞。

3. 必要時可將固定螺桿插入螺絲孔來擰緊固定裝置。

# PLAYSTATION®3 及 PLAYSTATION®4 示意圖



## 進行在 PlayStation®3 或 PlayStation®4 使用賽車方向盤的設定

1. 將腳踏板組連接到賽車方向盤底座背面的接頭 (17)。
2. 將電源線連接至賽車方向盤底座背面的接頭 (14)。
3. 將電源線插入相同電壓的電源插座。



**更多詳細資訊，請參閱本手冊第 3 頁的「將賽車方向盤插頭插入電源插座」章節。**

4. 配合所使用的主機或遊戲，將賽車方向盤底座的 USB 滑動開關 (5) 推向 PS3™ 或 PS4™ 位置。
5. 將賽車方向盤的 USB 接頭 (15) 連接到主機 USB 連接埠。
6. 賽車方向盤會在主機啟動後，自動進行校準。
7. 使用 PlayStation®4 時 ( USB 滑動開關設在 PS4™ 位置 ) : 如要使用方向盤，請按下賽車方向盤的 PS 按鈕 (8)，並登入 Sony Entertainment Network 帳號。

**現在可開始遊戲了！**

**重要說明：**

- 將方向盤的 USB 連接線連接到主機前，請先將賽車方向盤底座的 USB 滑動開關 (5) 切換至適當位置 (PS3™ 或 PS4™)。如需變更滑動開關位置，請先拔除主機上的 USB 連接線，切換開關位置，然後再將 USB 連接線連接到主機。
- 使用 PlayStation®3 時，請將 USB 滑動開關 (5) 切換至 PS3™ 位置：
  - \* 大部分遊戲會將方向盤識別為 T500RS 方向盤。
  - \* 方向盤可在兼容的遊戲與系統選單正常操作。
  - \* 方向盤可使用「PS」的機能。
- 使用 PlayStation®4 時，將 USB 滑動開關 (5) 設在 PS3™ 位置：
  - \* 大部分遊戲會將方向盤識別為 T500RS 方向盤。
  - \* 方向盤可在兼容的遊戲正常操作，但無法在系統選單進行操作。
  - \* 方向盤將無法使用「SHARE (分享)」及「PS」的機能。
- 使用 PlayStation®4 時，將 USB 滑動開關 (5) 設在 PS4™ 位置：
  - \* 如要使用方向盤，請按下賽車方向盤的「PS」按鈕 (8)。
  - \* 大部分遊戲會將方向盤識別為 T300 RS 方向盤。
  - \* 方向盤可在兼容的遊戲與系統選單正常操作。
  - \* 方向盤可使用「SHARE (分享)」及「PS」的機能。
- 有關與 T300 RS 方向盤 (配合所玩的遊戲將 USB 滑動開關 (5) 設定在適當位置後) 兼容的 PlayStation®3 及 PlayStation®4 遊戲列表，請參閱：  
<http://support.thrustmaster.com>  
(項目點擊「方向盤/T300 RS/遊戲設置」)。  
列表會定時更新。

## 自動校準賽車方向盤與腳踏板組

當賽車方向盤插頭插入電源插座，並將賽車方向盤的 USB 接頭連接至主機時，方向盤會自動進行校準。

期間賽車方向盤會快速左右旋轉 1080 度，然後停在中央位置。

**警告：**

校準期間，切勿觸碰賽車方向盤！  
(以免導致校準不當及/或人身傷害)



## 自動校準腳踏板組

腳踏板組連接至主機或正在遊玩時，切勿將腳踏板組連接到賽車方向盤底座（或從底座拔除），以免導致校準不當。

將賽車方向盤連接至主機前，請先連接腳踏板組。

賽車方向盤校準完成並遊戲啟動後，腳踏板在會在踩踏數次後自動進行校準。



**警告：**

**切勿在賽車方向盤校準或正在載入遊戲時踩踏腳踏板！**

**（以免導致校準不當）**

**賽車方向盤或腳踏板組無法正常運作，或是疑似校準不良時：**

請關閉主機電源，完整拔除賽車方向盤的所有連接線，然後重新連接所有連接線（包含電源線與腳踏板組），並重新啟動主機與遊戲。

## 內部溫度感應器

方向盤的冷卻系統由散熱器及風扇組成。

- 恆溫器會監控方向盤的內部溫度。
- 當您在遊戲使用方向盤時：
  - 冷卻風扇會在方向盤達到一定溫度（遊戲進行數分鐘後，視力回饋效應強度）時啟動。
  - 方向盤溫度過高時，力回饋效應強度會自動降低（以保護馬達）。溫度緩降時，力回饋效應則會自動提升。
- 結束遊戲時：由於馬達的熱慣性，冷卻風扇會持續運作，直至溫度低於風扇啟動的溫度為止。此方法令方向盤易於散熱，並可以保護馬達（視在遊戲使用方向盤時的溫度，冷卻過程可能需時 5 至 45 分鐘）。

## MODE ( 模式 ) 按鈕與指示燈 (6)

### 腳踏板組的 MODE ( 模式 ) 按鈕

可以電動切換油門及離合器踏板。

如要切換踏板，只需按下 MODE ( 模式 ) 按鈕 (6) 2 秒。

賽車方向盤的內建記憶體會儲存踏板的所有變更。

油門與離合器踏板	MODE ( 模式 ) 指示燈顏色 (6)
一般	紅色
切換	綠色

### 其他 MODE ( 模式 ) 按鈕資訊

要了解更多關於 MODE ( 模式 ) 按鈕及指示燈的詳情，請瀏覽 <http://support.thrustmaster.com>。項目點擊「方向盤/T300 RS」，然後選擇「手冊/常見問題解答」。

## 輔助說明及常見問題 ( 不包含在本手冊內 )

請瀏覽 <http://support.thrustmaster.com>，項目點擊「方向盤/T300 RS」，然後選擇「手冊/常見問題解答」。

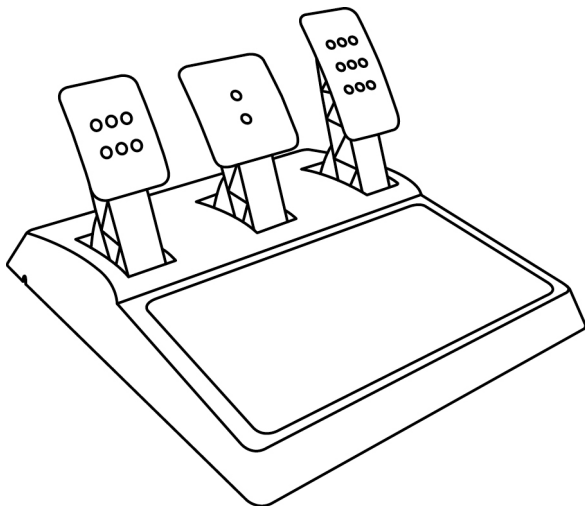
## 在 PC 上設定遊戲賽車方向盤

### 更新賽車方向盤的韌體

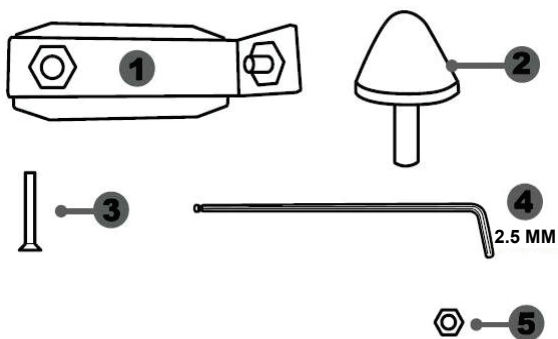
\*PC 兼容性並未經由 Sony Interactive Entertainment, Inc. 測試或認可

更多詳細資訊，請瀏覽 <http://support.thrustmaster.com>。

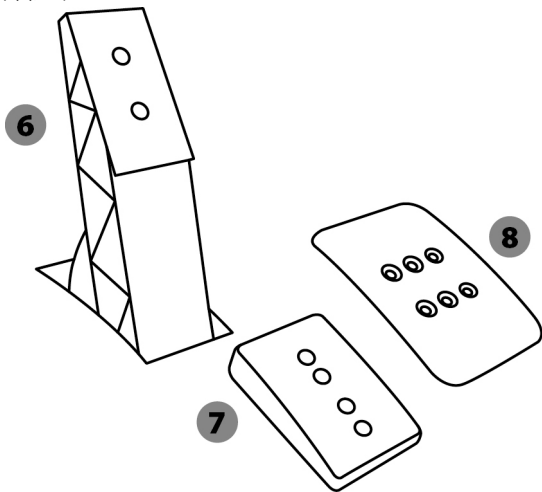
# T3PA – GT EDITION 腳踏板組



## 技術特點



- 1 錐形塞金屬支架（並未預設安裝）
- 2 錐形塞
- 3 金屬支架固定螺桿
- 4 2.5 mm 內六角扳手（隨附）
- 5 錐形塞位置調整螺母



- 6 踏板臂
- 7 腳踏板頭支架
- 8 金屬踏板頭

## 警告

使用本產品前，請仔細閱讀本手冊，並將其保存以供日後參考。



為確保安全，請勿在赤腳或僅穿襪子時使用腳踏板組。  
使用腳踏板組時若因未穿鞋而導致受傷，圖馬思特® 概不負責。



### 注意 – 遊玩時請小心別被腳踏板組夾傷

- \* 請將腳踏板組放在小孩無法觸及的地方。
- \* 遊玩期間，請勿將手指放在腳踏板邊緣或附近。
- \* 遊玩期間，請勿將手指放在腳踏板後方或附近。
- \* 遊玩期間，請勿將手指放在腳踏板前方或附近。

禁止



禁止



禁止



## 自動校準腳踏板組



### **重要提示：**

- 腳踏板組連接至主機或正在遊玩時，切勿將腳踏板組連接到賽車方向盤底座（或從底座拔除），以免導致校準不當。
- = 將賽車方向盤連接至 PS3™ 或 PS4™ 前，請先連接腳踏板組。
- 賽車方向盤校準完成並遊戲啟動後，腳踏板會在踩踏數次後自動進行校準。
- 切勿在賽車方向盤校準或正在載入遊戲時踩踏腳踏板，以免導致校準不當。
- 賽車方向盤或腳踏板組無法正常運作，或是疑似校準不良時，請關閉主機電源，完整拔除賽車方向盤的所有連接線，然後重新連接所有連接線（包含電源線與腳踏板組），並重新啟動主機與遊戲。

## 將腳踏板組安裝到駕駛座

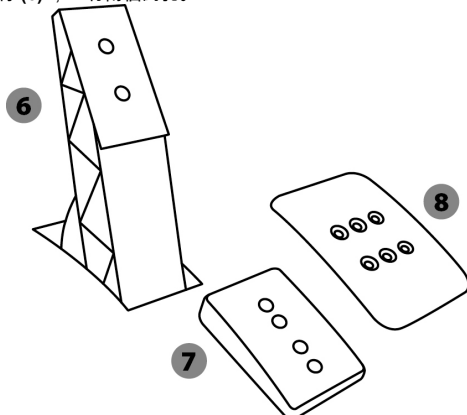
- 將腳踏板組安裝在底部的小螺絲孔。
- 將 2 顆 M6 螺絲（不隨附）穿過駕駛座框架，並擰進腳踏板組底部的 2 個小螺絲孔。

**重要說明：** 2 顆 M6 螺絲的長度不能超出框架厚度 + 10 mm，螺絲過長可能會造成腳踏板組內部的零件損壞。

## 調整腳踏板組

三個踏板均包括：

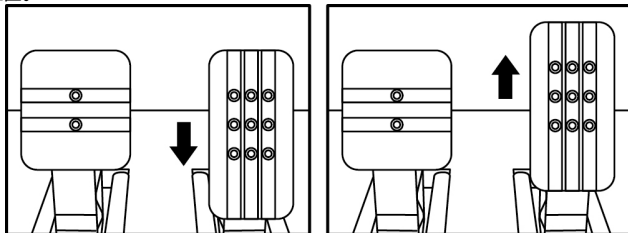
- 一個金屬踏板頭 (8)，上有多個開孔 (9 個為油門踏板使用、2 個為煞車踏板使用、6 個為離合器踏板使用)。
- 一個腳踏板頭支架 (7) (置於踏板頭及踏板臂之間)，上有四個開孔。
- 一個踏板臂 (6)，上有兩個開孔。



**注意：**為免校準不當，在調整腳踏板組前，請先將方向盤的 USB 連接線從 PS3™ 或 PS4™ 拔除。

## 調整油門高度

- 使用隨附的 2.5 mm 內六角扳手 (4)，將固定金屬踏板頭的兩顆螺絲 (8) 及其支架擰出 (7)。
- 選擇希望的高度，並重新擰緊螺絲，使金屬踏板頭 (8) 及其支架 (7) 固定在適當位置。



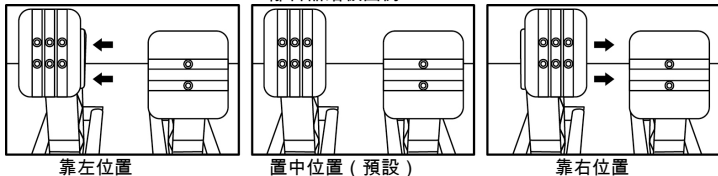
低位置 (預設)

高位置

## 調整的間距

- 使用隨附的 2.5 mm 內六角扳手 (4)，將固定金屬踏板頭的兩顆螺絲 (8) 及其支架撐出 (7)。
- 選擇希望的位置 (靠左、置中或靠右)，並重新擰緊螺絲，使金屬踏板頭 (8) 及其支架 (7) 固定在適當位置。

離合器踏板圖例：



靠左位置

置中位置 (預設)

靠右位置

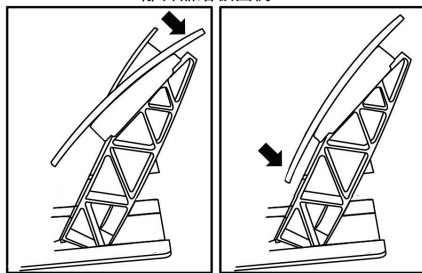
每個踏板可能的間隔位置數：

- 油門踏板：3 個
- 離合器踏板：3 個

## 調整腳踏板的傾斜角度

- 使用隨附的 2.5 mm 內六角扳手 (4)，將固定金屬踏板頭的兩顆螺絲 (8) 及其支架撐出 (7)。
- 將腳踏板頭支架轉動 (7) 180°，並重新擰緊螺絲，使金屬踏板頭 (8) 及其支架 (7) 固定在適當位置。

離合器踏板圖例：



較平位置

較斜位置 (預設)

每個踏板可能的傾斜位置數：

- 油門踏板：2 個
- 煞車踏板：2 個
- 離合器踏板：2 個



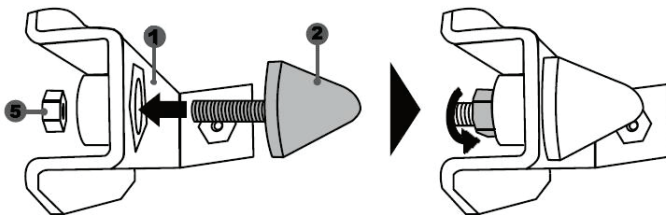
## 安裝錐形塞 (「錐形橡膠煞車器」修改器)

此修改器並非必須，亦不是預設安裝。這代表即使未安裝修改器，煞車踏板亦能正常運作。

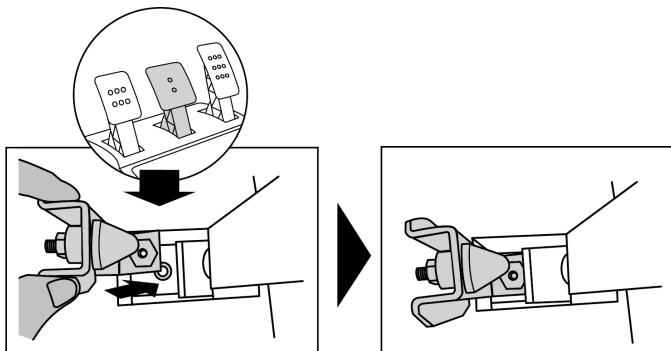
此修改器可以讓您在煞車時感受到截然不同的體驗和阻力。

是否要安裝隨你喜歡。

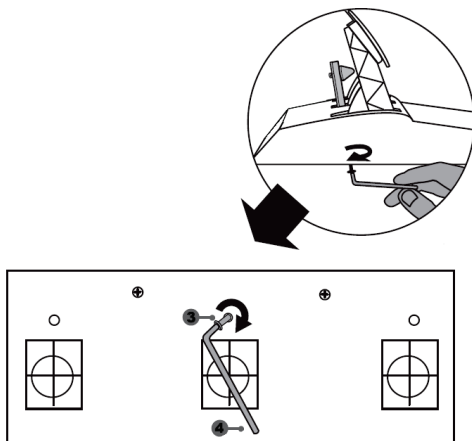
- 將錐形塞擰進 (2) 其金屬支架 (1)。
- 將位置調整螺母 (5) 擰進底部 (錐形塞的螺絲孔)。



- 將修改器置於煞車踏板臂背部。



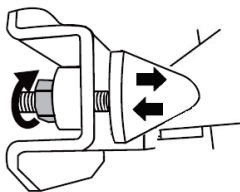
- 使用隨附的 2.5 mm 內六角扳手 (4)，將修改器以固定螺絲 (3) 固定在腳踏板組下方的小型中央螺絲孔。



「錐形橡膠煞車器」修改器已安裝成功！

### 調整煞車踏板的行動範圍及阻力強度

稍微鬆開螺母 (5)，可以將錐形塞 (2) 進一步移近踏板臂，增強煞車踏板的阻力（如有需要，可以使用 14 mm 扳手或鉗子重新擰緊螺母，並將其固定在選定的位置）。錐形塞與踏板臂背面的距離愈近，阻力強度則愈高。



**註：**如果錐形塞非常接近煞車踏板臂，你可能會較難達到最大校準值。若有如此情況：

- \* 請緩慢地用力踩踏煞車踏板，以求達到最大值（如有需要，可短暫踩住踏板一秒），然後鬆開；或者，
- \* 將錐形塞稍微移離煞車踏板臂的背面。

## 版權所有

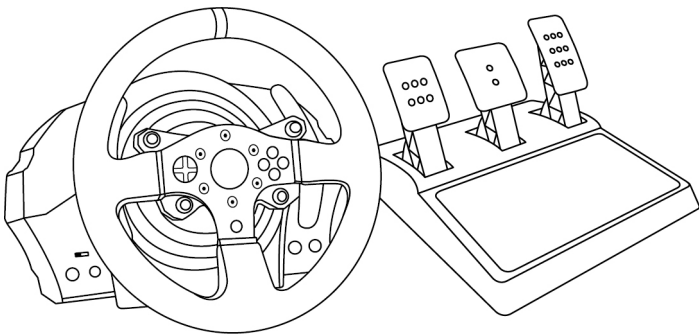
© 2016 Guillemot Corporation S.A. 保留所有權利。圖馬思特® 為 Guillemot Corporation S.A 的註冊商標。「PS」, 「PlayStation」、 「PS3」、 「PS4」及「△OX□」為 Sony Interactive Entertainment, Inc 的註冊商標。其他商標或註冊商標均為其個別擁有者的財產。圖片並不受約束。產品內容、設計和規格如有變更, 恕不另行通知, 並可能會視乎國家而不同。中國製造。



# T300RS

## GT Edition

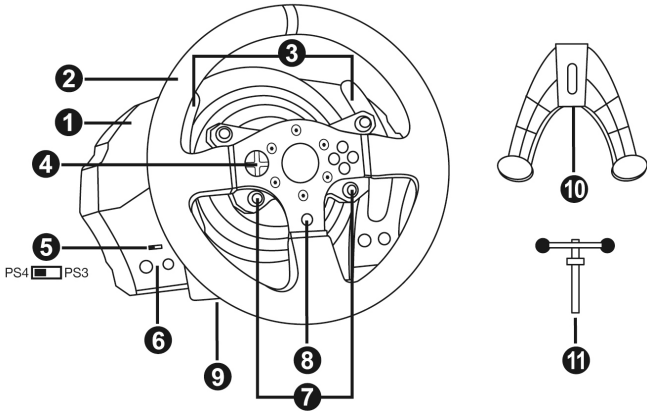
### 사용설명서



#### 경고:

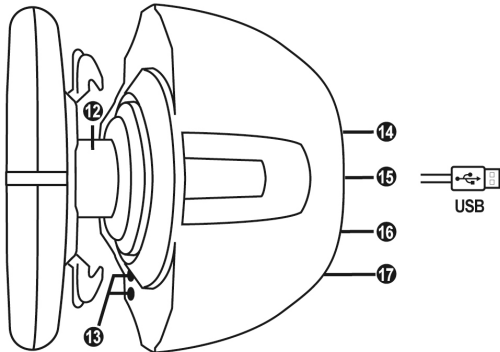
게임에서 T300 레이싱 핸들의 기능이 올바르게 발휘되도록 하려면 게임 자동 업데이트를 설치해야 합니다 ( 인터넷에 연결되어 있어야 자동 업데이트 기능을 사용할 수 있습니다 ).

## 기술적 특징:



- 1 T300 RS 베이스
- 2 T300GT 핸들
- 3 2 개의 시퀀셜 기어 패들 시프터 ( 위 및 아래 )
- 4 방향 버튼
- 5 PS4™/PS3™ 용 내장 USB 슬라이딩 스위치
- 6 MODE ( 모드 ) 버튼 + 적색/녹색 표시등

- 7 SELECT/START ( 선택/시작 ) 버튼 - PS3™ 및 SHARE/OPTIONS ( 공유/옵션 ) 버튼 - PS4™
- 8 PS 버튼
- 9 대형 나사 구멍 ( 부착 시스템 및 나사 조임에 사용 )
- 10 부착 시스템
- 11 금속 조임나사



- 12 Thrustmaster ( 트러스트마스터 ) 퀵 릴리즈
- 13 L3/R3 버튼
- 14 전원 공급 커넥터 ( 유형 A 또는 B ) ( 나라마다 다름 )

- 15 레이싱 핸들 USB 케이블 및 커넥터
- 16 변속기 커넥터 ( 변속기 별도 판매 )
- 17 페달 세트 커넥터

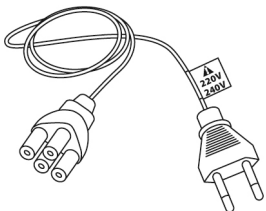
**레이싱 핸들을 전기 콘센트에 연결하기: 연결하기 전에 읽어 주십시오!**

레이싱 핸들의 전원공급장치는 기기를 구매한 국가별로 다릅니다.

한국의 경우 전원공급장치:

**내부:**

- \* 전원공급장치 (C 형 커넥터) 가 레이싱 핸들 베이스 내부에 위치.
- \* 220-240 V 전원 공급 케이블.
- = 220-240 V 전원만 사용 가능.



**220-240 V 케이블을 절대로 100-130 V 전원 콘센트에 연결하지 마십시오!!!**

**이 케이블을 절대로 전원 어댑터에 연결하지 마십시오!!!**

**중요: 만약 고객님의께서 레이싱휠을 사용하시는 지역의 전압을 모르실 경우, 지역 전기 공급자에게 문의해 주세요.**

## 경고

이 제품을 사용하기 전에 이 설명서를 주의 깊게 읽고 나중에 참고할 수 있도록 잘 보관하시기 바랍니다.



### 경고 - 감전

- \* 본 제품은 건조한 곳에 보관해야 하며, 먼지나 태양광선에 노출시키지 마십시오.
- \* 커넥터 및 케이블을 비틀거나 잡아 당기지 마십시오.
- \* 본 제품이나 제품의 커넥터에 액체를 흘리지 마십시오.
- \* 제품을 단락 (합선) 시키지 마십시오.
- \* 제품을 절대 분해하지 마십시오. 볼 속에 제품을 던지지 마십시오. 제품을 고온에 노출시키지 마십시오.
- \* 레이싱 핸들과 함께 제공된 전원 공급 케이블이 아닌 다른 케이블을 사용하지 마십시오.
- \* 전원 공급 케이블 또는 커넥터가 손상되거나, 갈라지거나 파손된 경우 케이블을 사용하지 마십시오.
- \* 전원 공급 케이블이 전원 콘센트에 올바르게 끼워져 있고, 레이싱 핸들 베이스 뒷면의 커넥터에 올바르게 연결되어 있는지 확인하십시오.
- \* 레이싱 핸들을 열지 마십시오. 핸들 내부에는 사용자가 수리할 수 있는 부품이 없습니다. 모든 수리는 제조사, 제조사가 승인한 대리점 또는 자격을 갖춘 기술자가 수행해야 합니다.
- \* 제조사가 지정한 부착 시스템/부속품만 사용하십시오.
- \* 핸들이 비정상적으로 작동하면 (비정상적인 소리, 열, 또는 냄새가 나는 경우), 즉시 사용을 중단하고 콘센트에서 전원 케이블을 뽑고, 다른 케이블들의 연결을 해제하십시오.
- \* 레이싱 핸들을 장시간 동안 사용하지 않을 경우에는 콘센트에서 전원 공급 케이블을 뽑으십시오.
- \* 반드시 콘센트는 장치 가까운 곳을 활용하시기 바랍니다.



### 환기

레이싱 핸들 베이스에 있는 어떠한 공기 환기구도 막지 마십시오. 최적의 환기를 위해 다음 사항을 준수하십시오.

- \* 핸들 베이스와 모든 벽면 사이에는 최소 10cm의 간격을 두십시오.
- \* 좁은 공간에 베이스를 두지 마십시오.
- \* 베이스를 덮지 마십시오.
- \* 공기 환기구에 먼지가 쌓이지 않게 하십시오.



안전한 사용을 위해 페달 세트를 절대 맨발 또는 양말만 신은 상태에서 조작하지 마십시오.

THRUSTMASTER®는 신발 없이 페달 세트를 조작함으로써 발생하는 부상에 대해 어떠한 책임도 지지 않습니다.



### 경고 - 포스 피드백 및 반복적인 움직임으로 인한 부상 위험

포스 피드백 ( 게임 기기에서 충격 또는 진동을 실제로 체감하는 기능 ) 레이싱 핸들을 이용해서 게임하는 경우 근육이나 관절의 통증을 가져올 수 있습니다. 이러한 문제를 예방하려면 다음 사항을 준수하십시오.

- \* 장시간 동안 게임하지 마십시오.
- \* 게임 중 한 시간 당 10 ~ 15 분 정도 휴식을 취하십시오.
- \* 손, 손목, 팔, 발, 다리가 피로하거나 통증이 있는 경우 게임을 중지한 후 두 세 시간 쉬었다가 다시 게임을 진행하십시오.
- \* 게임을 다시 시작할 때 위에 설명한 증상이나 통증이 계속되는 경우에는 게임을 중단한 후 의사와 상담하십시오.
- \* 어린이가 접근하지 못하게 하십시오.
- \* 게임 중에는 반드시 양손으로 올바르게 핸들을 잡되, 핸들에서 양손을 모두 놓으면 안 됩니다.
- \* 게임 중에는 양손이나 손가락을 절대 페달 밑에 두거나 페달 세트 근처에 두면 안 됩니다.
- \* 보정 작업 중이나 게임 중에 레이싱 핸들의 구멍 속에 손이나 팔을 넣으면 절대로 안 됩니다.
- \* 레이싱 핸들 베이스는 이 사용설명서의 지시대로 제대로 고정시켜야 합니다.





본 제품은 만 16 세 이상의 사용자만  
조작해야 합니다

중량 제품



본 제품을 본인이나 다른 사람에게  
떨어뜨리지 않도록 주의하십시오!

반드시 준수



절대 금지



절대 금지



**경고 - 게임 중 페달 세트에 끼일 위험**

- \* 페달 세트에 어린이가 접근하지 못하게 하십시오.
- \* 게임 중에 절대로 페달 위 또는 근처에 손가락을 놓지 마십시오.
- \* 게임 중에 절대로 페달의 뒷면 베이스 위 또는 근처에 손가락을 놓지 마십시오.
- \* 게임 중에 절대로 페달의 앞면 베이스 위 또는 근처에 손가락을 놓지 마십시오.

절대 금지



절대 금지



절대 금지





## 경고 - 게임하지 않을 때 페달 세트에 끼임 위험

- \* 페달 세트는 항상 어린이의 손이 닿지 않는 안전한 장소에 보관하십시오.

## 레이싱 핸들 펌웨어 업데이트

레이싱 핸들 베이스에 포함된 펌웨어는 제품을 개선시킨 최신 버전으로 업데이트할 수 있습니다.

레이싱 핸들이 현재 사용 중인 펌웨어 버전을 표시하고 필요한 경우 버전을 업데이트 하려면 PC에서 다음 사이트에 연결합니다. <http://support.thrustmaster.com>. 스티어링 핸들/T300 RS 클릭한 후 펌웨어 를 선택하고 다운로드 및 설정 절차를 설명하는 지시사항을 따르십시오.

### 중요 참고:

PC의 경우, 레이싱 핸들 베이스에 있는 USB 슬라이딩 스위치 (5)는 반드시 PS3™ 위치로 설정되어 있어야 합니다.

## 핸들을 핸들 베이스에 설치하기

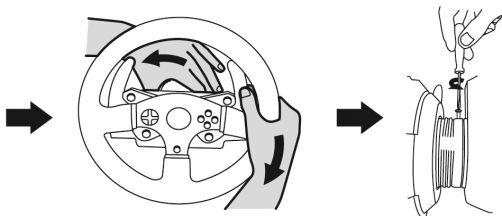
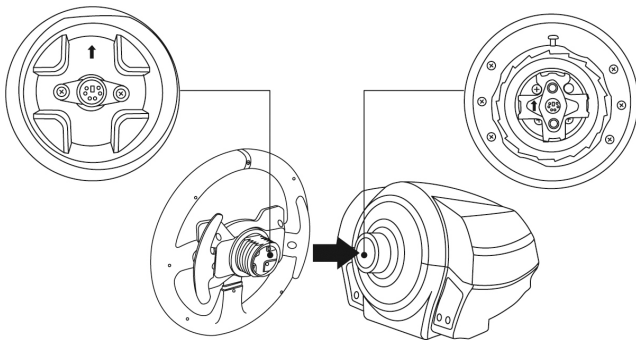
화살표들을 이용해서 커넥터 위치를 맞춥니다.

**베이스 (1) 커넥터:** 위쪽을 가리키는 화살표

**레이싱 핸들 (2) 커넥터:** 위쪽을 가리키는 화살표

커넥터들을 올바른 위치에 놓은 후 레이싱 핸들 (2) 을 제 위치에 고정시킨 상태에서 Thrustmaster ( 트러스트마스터 ) 킥 릴리즈 (12) 장치의 링을 시계 반대 방향으로 돌리면 됩니다.

그 다음에 링을 최대한 조입니다. 링을 최대한 조이려면 링을 제 위치에 고정시킨 상태에서 레이싱 핸들을 시계 방향으로 돌립니다.



레이싱 핸들을 장착한 후에는 Thrustmaster 킥 릴리즈 장치 (12)의 링에 있는 소형 부착 나사에 손이 닿을 수 있도록 핸들을 180° 회전시키십시오 ( 핸들을 마주봤을 때 GT 로고의 위아래가 뒤집힌 상태이어야 합니다 ). 대형 십자 드라이버로 소형 부착 나사를 시계 방향으로 돌려 조입니다 ( 무리한 힘을 가하지 마십시오 ).



**( 십자 드라이버로 ) 소형 부착 나사를 조일 때 무리한 힘을  
가하지 마십시오!**

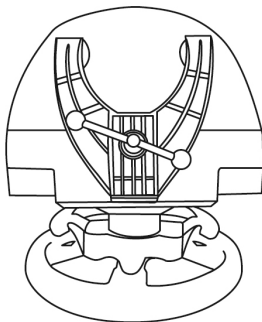
**무언가 닿은 느낌이 있으면 즉시 나사 돌리기를 멈추십시오.**

## 레이싱 핸들 부착하기

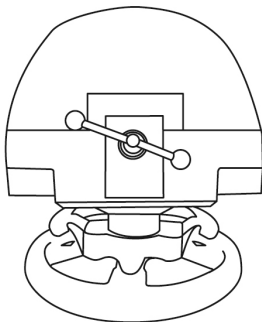
### 테이블이나 책상에 레이싱 핸들 부착하기

1. 레이싱 핸들을 테이블 또는 수평 상태의 평평하고 안정된 표면 위에 놓습니다.
2. 조임 나사 (11) 를 부착 시스템 (10) 에 삽입한 후, 나사를 시계 반대 방향으로 돌려서 기기를 조입니다. 이때, 레이싱 핸들 밑에 있는 대형 나사 구멍 (9) 에 나사를 끼워서 기기가 완전히 고정될 때까지 삽입합니다.

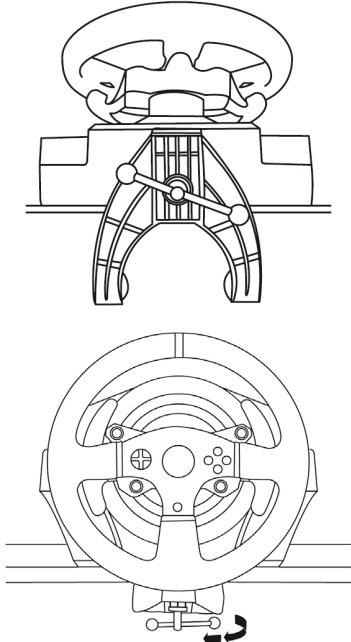
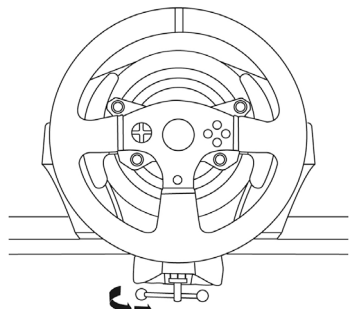
반드시 준수



절대 금지



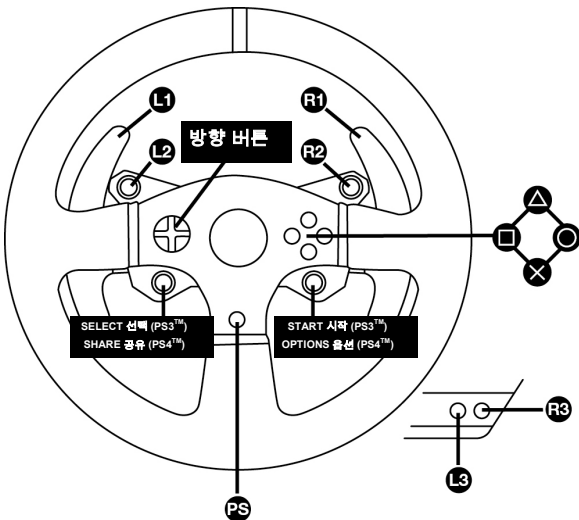
**경고: 부착 시스템 없이 절대로 나사만 조이지 마십시오!**  
( 나사만 조이면 레이싱 핸들이 파손될 수 있습니다. )

부착/제거	방향
<p><b>조이기:</b></p> <p>나사를 시계 반대 방향으로 돌립니다</p>	
<p><b>풀기:</b></p> <p>나사를 시계 방향으로 돌립니다</p>	

## 레이싱 핸들 베이스를 조종석에 부착하기

1. 레이싱 핸들 베이스를 조종석 선반에 놓습니다.
2. 조종석 선반을 통해 2 개의 M6 나사 ( 제품에 포함되지 않음 ) 를 밀어넣은 후, 레이싱 핸들 밑에 있는 2 개의 소형 나사산 속에 삽입합니다.  
중요: 두 개의 M6 나사의 길이가 '선반 두께 + 12mm'를 초과하면 레이싱 핸들 베이스에 장착된 내부 부품을 파손시킬 수 있으므로 나사의 길이는 '선반 두께 + 12mm'를 초과하면 안 됩니다.
3. 필요한 경우 조임 나사를 대형 나사 구멍에 끼워서 표준형 부착 시스템을 조이십시오.

## PLAYSTATION®3 및 PLAYSTATION®4 매핑



## PLAYSTATION®3 또는 PLAYSTATION®4 용 레이싱 핸들 설정

1. 페달 세트를 레이싱 핸들 베이스에 있는 커넥터(17)에 연결합니다.
2. 전원 공급 케이블을 레이싱 핸들 베이스에 있는 커넥터(14)에 연결합니다.
3. 전원 공급 케이블을 동일한 전압을 공급하는 전원 콘센트에 연결합니다.



**이에 대한 자세한 내용은 이 사용설명서 3 페이지의 레이싱 핸들을 전기 콘센트에 연결하기 부분을 참조하십시오.**

4. 사용 중인 시스템이나 게임에 맞게 레이싱 핸들의 베이스에 있는 USB 슬라이딩 스위치 (5)를 PS3™ 또는 PS4™ 위치로 설정합니다.
5. 레이싱 핸들의 USB 커넥터 (15)를 시스템의 USB 포트 중 하나에 연결합니다.
6. 시스템의 전원이 켜지면 레이싱 핸들이 자동으로 보정됩니다.
7. PlayStation®4 의 경우 ( USB 슬라이딩 스위치가 PS4™ 위치로 설정된 경우 ) :  
핸들을 사용하려면, 레이싱 핸들의 PS 버튼 (8)을 누른 다음 Sony Entertainment Network ( Sony 엔터테인먼트 네트워크 ) 계정에 로그인합니다.

**이제 레이싱 준비가 되었습니다!**

### 중요 참고:

- 핸들 베이스의 USB 슬라이딩 스위치(5)를 콘솔에 연결하기 전에 반드시 레이싱 핸들의 베이스에 있는 USB 슬라이딩 스위치 (5)를 올바른 위치 ( PS3™ 또는 PS4™ ) 로 설정해야 합니다. 슬라이딩 스위치의 위치를 변경하려면 시스템에서 USB 케이블을 뺀 후 스위치의 위치를 변경한 후 USB 케이블을 시스템에 다시 연결합니다.
- PlayStation®3 의 경우, USB 슬라이딩 스위치 (5)가 PS3™ 위치로 설정되어 있어야 합니다.
  - \* 대부분의 게임에서 핸들을 T500RS 핸들로 인식합니다.
  - \* 호환되는 게임과 시스템 메뉴에서 핸들이 기능을 발휘합니다.
  - \* 핸들에서 “PS” 기능이 작동합니다.
- PlayStation®4 의 경우, USB 슬라이딩 스위치 (5)가 PS3™ 위치로 설정되어 있어야 합니다.
  - \* 대부분의 게임에서 핸들을 T500RS 핸들로 인식합니다.
  - \* 핸들이 호환되는 게임에서는 기능을 발휘하지만, 시스템 메뉴에서는 기능을 발휘하지 않습니다.

- \* 핸들에서 “SHARE” (공유) 및 “PS” 기능이 작동하지 않습니다.
- PlayStation®4의 경우, USB 슬라이딩 스위치 (5)가 PS4™ 위치로 설정되어 있어야 합니다.
- \* 핸들을 사용하려면, 레이싱 핸들의 PS 버튼 (8)을 반드시 눌러야 합니다.
- \* 대부분의 게임에서 핸들이 T300 RS 핸들로 인식됩니다.
- \* 호환되는 게임과 시스템 메뉴에서 핸들이 기능을 발휘합니다.
- \* 핸들에서 “SHARE” (공유) 및 “PS” 기능이 작동합니다.
- T300 RS 와 호환되는 PlayStation®3 및 PlayStation®4 게임의 목록 (및 실행 중인 게임에 따라 슬라이딩 스위치 (5)에 필요한 위치에 관한 내용)은 다음 웹사이트에서 확인할 수 있습니다.

<http://support.thrustmaster.com>

스티어링 핸들/T300 RS/게임 세팅을 클릭하십시오.

이 목록은 정기적으로 업데이트됩니다.

## 레이싱 핸들 및 페달 세트 자동 보정

레이싱 핸들을 전원 콘센트에 연결하고 레이싱 핸들의 USB 커넥터를 콘솔에 연결하면 핸들은 자동으로 자가보정됩니다.

이 과정에서 레이싱 핸들은 왼쪽에서 오른쪽으로 신속하게 회전하여 1080 도 각도를 커버한 후 중앙에서 멈춥니다.



**경고:**

자가보정 하는 동안 절대 레이싱 핸들을 건드리지 마십시오!  
( 이 경우 부정확한 보정 및/또는 부상이 발생할 수 있습니다 ).



## 페달 세트 자동 보정

페달 세트가 시스템에 연결되어 있는 경우 또는 게임 중인 경우에는 페달 세트를 절대로 레이싱 핸들 베이스에 연결하지 (또는 페달 세트를 베이스에서 분리하지) 마십시오 ( 이로 인해 보정이 잘못될 수 있습니다 ) .

레이싱 핸들을 시스템에 연결하기 전에 반드시 페달 세트를 연결하십시오.

레이싱 핸들의 보정이 완료되고 게임이 시작된 후, 페달을 몇 번 누르면 자동으로 페달이 보정됩니다.



**경고:**

**레이싱 핸들이 자가보정 중이거나 게임을 로딩하는 중에는 절대로 페달을 누르지  
마십시오!  
( 이로 인해 보정이 잘못될 수 있습니다 )**

**레이싱 핸들 및/또는 페달 세트가 올바르게 작동하지 않거나 보정이 잘못된 것으로  
생각되는 경우:**

시스템의 전원을 완전히 끄고 레이싱 핸들의 연결을 해제합니다. 그 다음에 모든 케이블 ( 전원 공급 케이블 및 페달 세트 포함 ) 을 다시 연결한 후 시스템과 게임을 다시 시작합니다.

## 내부 온도 센서

핸들의 냉각 시스템은 열 흡수부와 팬으로 구성되어 있습니다.

- 온도 조정 장치가 핸들의 내부 온도를 감시합니다.
- 게임에서 핸들을 사용하는 경우:
  - 핸들이 특정 온도에 도달하면 ( 게임 시작 몇 분 후, 사용된 포스 피드백 효과의 강도에 따라 달라짐 ) 냉각 팬이 작동을 시작합니다.
  - 핸들이 매우 높은 온도에 도달하는 즉시 ( 모터 보호를 위해 ) 포스 피드백 효과의 파워가 자동으로 감소합니다. 이들 효과의 파워는 온도가 약간 내려가는 즉시 자동으로 증가합니다.
- 게임을 마쳤을 때: 모터의 열 관성으로 인해, 온도가 냉각 팬 시동 당시 수준으로 내려갈 때까지 냉각 팬이 계속 작동합니다. 핸들은 냉각이 용이하게 하고 모터를 보호하기 위해 이러한 방식으로 설계되었습니다 ( 게임에서 핸들을 사용하는 동안 도달한 온도에 따라 이 작업은 5 ~ 45 분 정도가 소요됩니다 ) .

## MODE 버튼 및 표시등 (6)

### 페달 세트 MODE ( 모드 ) 버튼

액셀 페달과 클러치 페달을 전자적으로 교대할 수 있습니다.

전자적으로 교대하려면 MODE ( 모드 ) 버튼 (6) 을 2 초 동안 누르기만 하면 됩니다.

레이싱 핸들의 내부 메모리에는 페달이 교대되었는지 여부가 저장됩니다.

가속 페달 및 클러치 페달	MODE 표시등 (6) 색상
정상	적색
교대 시	녹색

### MODE 버튼에 대한 다른 도움말

MODE 버튼 및 표시등에 대한 더 자세한 내용은

<http://support.thrustmaster.com> 에서 확인할 수 있습니다.

스티어링 핸들/T300 RS 을 클릭후매뉴얼/자주 묻는 질문 선택하십시오.

### 도움말 파일 및 자주 묻는 질문 ( 이 설명서에는 포함되지 않음 )

웹사이트 <http://support.thrustmaster.com> 으로 이동하십시오. 스티어링

핸들/T300 RS 을 클릭후매뉴얼/자주 묻는 질문 선택하십시오..

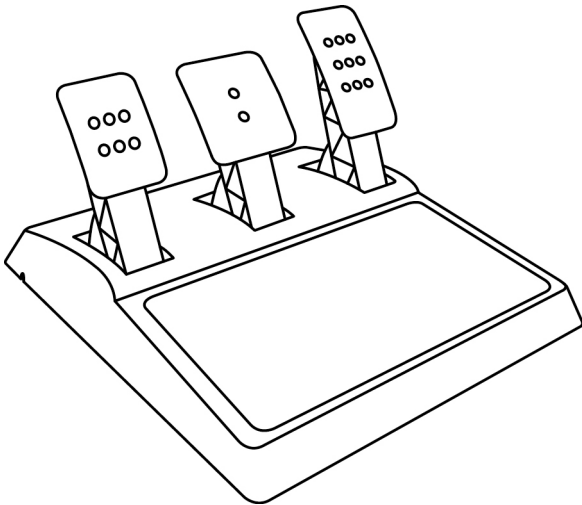
### PC용 레이싱 핸들 설정\*

#### 레이싱 핸들 펌웨어 업데이트

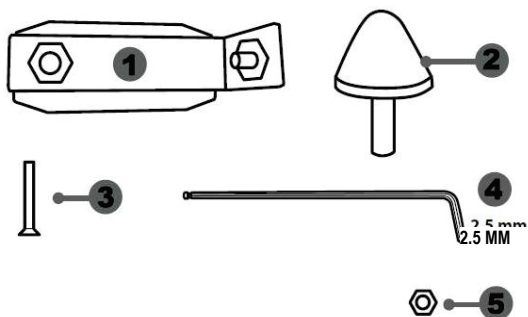
*\*Sony Interactive Entertainment, Inc 은 PC 호환성을 시험하지 않았으며 보증하지도 않습니다*

자세한 내용은 <http://support.thrustmaster.com> 을 방문하십시오.

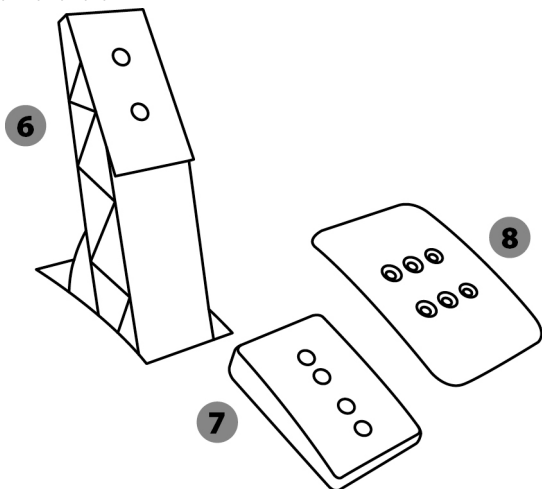
# T3PA – GT EDITION 페달 세트



## 기술적 특징



- 1 원뿔형 정지 장치용 금속 지지대 (기본적으로 미설치)
- 2 원뿔형 정지 장치
- 3 금속 지지대 부착 나사
- 4 2.5 mm Allen 키 (제품에 포함)
- 5 원뿔형 정지 장치용 위치 조정 너트



- 6 페달 암
- 7 플라스틱 헤드 지지물
- 8 금속 페달 헤드

## 경고

이 제품을 사용하기 전에 이 설명서를 주의 깊게 읽고 나중에 참고할 수 있도록 잘 보관하시기 바랍니다.



안전한 사용을 위해 페달 세트를 절대 맨발 또는 양말만 신은 상태에서 조작하지 마십시오. THRUSTMASTER®는 신발 없이 페달 세트를 조작함으로써 발생하는 부상에 대해 어떠한 책임도 지지 않습니다.



### 경고 - 게임 도중 페달 세트에 끼일 위험

- \* 페달 세트에 어린이가 접근하지 못하게 하십시오.
- \* 게임 중에 절대로 페달 위, 근처 또는 양 옆에 손가락을 놓지 마십시오.
- \* 게임 중에 절대로 페달 위, 또는 뒷면 베이스에 손가락을 놓지 마십시오.
- \* 게임 중에 절대로 페달 위, 또는 앞면 베이스에 손가락을 놓지 마십시오.

절대 금지



절대 금지



절대 금지



## 페달 자동 보정



### 중요:

- 보정 관련 문제가 발생하지 않도록 하려면 핸들이 PS3™ 또는 PS4™에 연결되어 있는 경우, 또는 게임 중인 경우 절대로 페달 세트를 연결하거나 연결 해제하지 마십시오.
- = 핸들을 PS3™ 또는 PS4™에 연결하기 전에 반드시 페달 세트를 연결하십시오.
- 핸들의 자가 보정을 완료한 후 게임을 시작한 후 몇 번 페달을 밟으면 에 페달이 자동으로 보정됩니다.
- 핸들의 자가 보정이 진행 중인 경우 또는 게임을 시작하려고 할 때, 보정 관련 문제를 방지하려면 절대로 페달을 핸들을 돌리거나 페달을 밟지 마십시오.
- 페달이 올바르게 작동하지 않거나 잘못 보정된 것으로 판단되면, 시스템 전원을 끄고 핸들의 연결을 완전히 해제한 후, 모든 케이블 (전원 공급 케이블 및 페달 세트 케이블 포함) 을 다시 연결한 후 시스템에 전원을 다시 연결하고 게임을 다시 시작하십시오.

## 페달 세트를 조종석에 부착하기

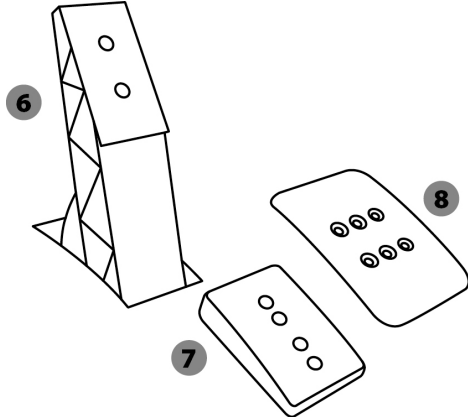
- 페달 세트 밑에 있는 소형 나사 구멍을 이용해서 페달 세트를 부착합니다.
- 조종석 페달 지지 플레이트를 통해 2 개의 M6 나사 ( 제품에 포함되지 않음 ) 를 밀어넣은 후, 페달 세트 밑에 있는 2 개의 소형 나사산 속에 삽입합니다.

**중요:** 두 개의 M6 나사 길이가 '조종석의 페달 지지판 두께 + 10 mm'를 초과하면 페달 세트에 장착된 내부 부품을 파손시킬 수 있으므로 나사의 길이는 '조종석의 페달 지지판 두께 + 10 mm'를 초과하면 안 됩니다.

## 페달 세트 조절

세 개의 페달에는 각각 다음 구성품이 포함됩니다.

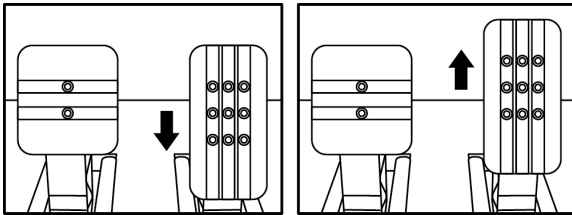
- 여러 구멍 (액셀용 9 개, 브레이크용 2 개, 클러치용 6 개) 이 있는 메탈 헤드(8) 1 개 =
- 4 개의 구멍이 있는 플라스틱 헤드 지지물 (7) 1 개 ( 헤드와 암 사이에 위치 )
- 2 개의 구멍이 있는 페달 암(6) 1 개



**주의:** 보정 문제를 예방하려면, 페달 세트를 조정하기 전에 반드시 PS3™ 또는 PS4™ 핸들의 USB 케이블 연결을 해제하십시오.

### 가속 페달 ‘높이’ 조정

- 제품에 포함된 2.5 mm Allen 키 (4)를 이용해서 메탈 헤드 (8)와 그 지지물(7)을 제자리에 고정시키는 2 개의 나사를 푸십시오.
- 원하는 위치를 선택한 후 메탈 헤드(8)와 그 지지물(7)을 제자리에 고정시킬 수 있도록 나사를 다시 조이십시오.



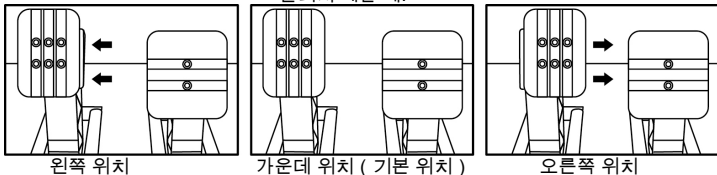
낮은 위치 ( 기본 위치 )

높은 위치

## 간격 조정

- 제품에 포함된 2.5 mm Allen 키 (4)를 이용해서 메탈 헤드 (8)와 그 지지물(7)을 제자리에 고정시키는 2 개의 나사를 푸십시오.
- 원하는 ( 왼쪽, 가운데, 오른쪽으로 ) 위치를 선택한 후 메탈 헤드 (8)와 그 지지물(7)을 제자리에 고정시킬 수 있도록 나사를 다시 조이십시오.

클러치 페달 예:



왼쪽 위치

가운데 위치 ( 기본 위치 )

오른쪽 위치

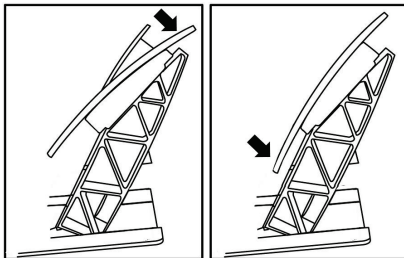
페달 별 가능한 간격 위치 수:

- 가속 페달 3 개
- 클러치 페달 3 개

## 페달 경사 조정

- 제품에 포함된 2.5 mm Allen 키 (4)를 이용해서 메탈 헤드 (8)와 그 지지물(7)을 제자리에 고정시키는 2 개의 나사를 푸십시오.
- 플라스틱 헤드 지지물(7)을 180° 돌린 후, 메탈 헤드(8)와 그 지지물(7)을 제자리에 고정시킬 수 있도록 나사를 다시 조이십시오.

가속 페달 예:



덜 경사진 위치

더 경사진 위치 ( 기본 위치 )

페달 별 가능한 경사 위치 수:

- 가속 페달용 2 개
- 브레이크 페달용 2 개
- 클러치 페달용 2 개



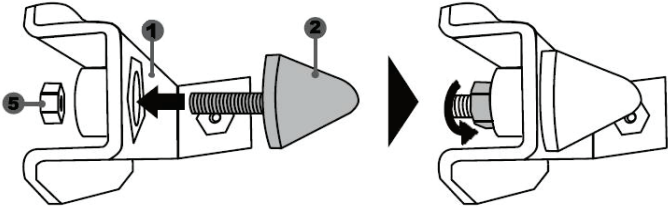
## 원뿔형 정지 장치 설치 ( “원뿔형 고무 브레이크” )

이 개조물은 반드시 필요한 것은 아니므로 기본적으로 설치되어 있지 않습니다. 즉 이 개조물이 설치되지 않았어도 브레이크 페달은 완벽하게 기능을 발휘합니다.

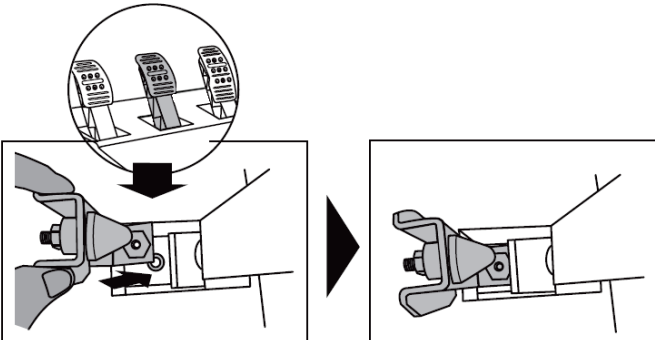
이 개조물은 브레이크 제동 시 다른 느낌과 저항감을 제공합니다.

설치 여부는 사용자의 결정에 따릅니다.

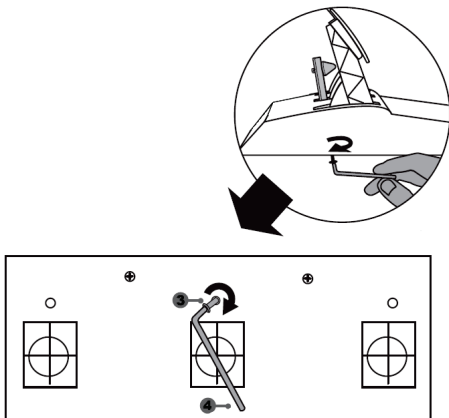
- 원뿔형 정지 장치(2)를 금속 지지대(1)에 끼웁니다.
- 위치 조정 너트 ( 5)를 밑에서 ( 원뿔형 나사산 위에 ) 끼웁니다



- 기기를 브레이크 페달 앞의 뒤쪽에 위치시킵니다.



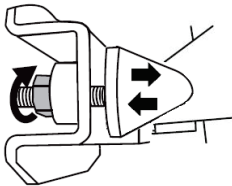
- 제품에 포함된 2.5 mm Allen 키 (4)를 이용해서 기기를 부착 나사(3)와 페달 세트 밑면에 있는 소형 중앙 나사산을 이용해서 기기를 부착합니다.



“원뿔형 고무 브레이크”가 설치되었습니다!

## 브레이크 페달의 이동 범위 및 저항력 조정

너트(5)를 약간 풀어서 페달 앞의 뒤쪽에 가까운 원뿔형 정지 장치(2)를 이동시켜 브레이크 페달의 저항력을 증가시킬 수 있습니다 (필요한 경우 14mm 렌치 또는 펜치를 이용해서 너트를 다시 조여서 선택한 위치를 유지합니다). 원뿔형 정지 장치가 페달 앞에 가까울수록 저항력이 더 커집니다.



**참고:** 원뿔형 정지 장치가 브레이크 페달 앞의 뒤쪽과 너무 가까우면 최대 보정값에 도달하기 어려울 수 있습니다. 이 경우 다음과 같이 하십시오.

- \* 프레이크 페달을 매우 강하게 천천히 눌러서 최대값에 도달하게 한 후 (필요한 경우 1 초 동안만 매우 짧게 페달 위에 서십시오) 압력을 방출하십시오. 또는
- \* 원뿔형 정지 장치를 브레이크 페달 앞의 뒤쪽에서 약간 더 멀어지도록 이동시킵니다.

## COPYRIGHT

© 2016 Guillemot Corporation S.A. 모든 권리 보유. Thrustmaster®는 Guillemot Corporation S.A.의 등록상표입니다. “PS”, “PlayStation”, “PS3”, “PS4” “△×□”은 Sony Interactive Entertainment, Inc 의 등록상표입니다. 다른 모든 상표는 해당 소유자의 자산입니다. 도면은 법적 구속력이 없습니다. 설명서의 내용, 설계 및 사양은 예고 없이 변경될 수 있으며, 나라마다 서로 다를 수 있습니다.  
제조국: 중국

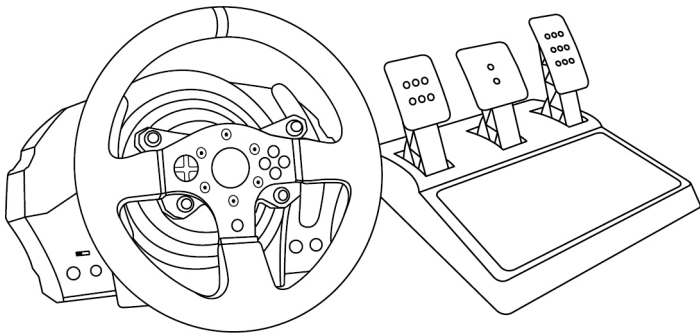


# T300RS

## GT Edition

ENGLISH

### User Manual



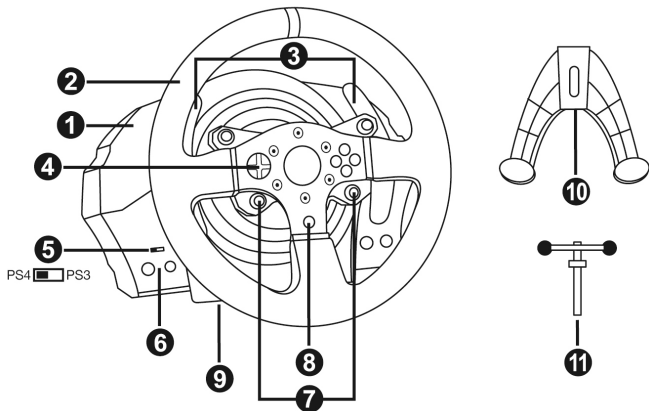
中文

**WARNING:**

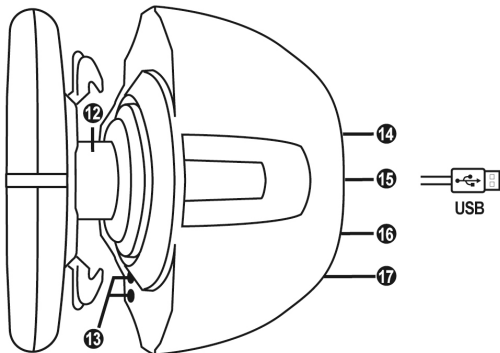
To ensure that your T300 wheel functions correctly with games, you may be required to install the games' automatic updates (available when your system is connected to the Internet).

한국어

# TECHNICAL FEATURES



- 1 T300 RS base
- 2 T300 GT wheel
- 3 2 sequential paddle shifters (up & down)
- 4 Directional buttons
- 5 PS4™ or PS3™ USB sliding switch
- 6 MODE button + red/green indicator light
- 7 SELECT/START buttons on PS3™ and SHARE/OPTIONS on PS4™
- 8 PS button
- 9 Large threaded hole (for attachment system and fastening screw)
- 10 Attachment system
- 11 Metal fastening screw



- 12 Thrustmaster Quick Release
- 13 L3/R3 buttons
- 14 Power supply connector (type A or B)  
*(varies from one country to another)*
- 15 Racing wheel USB cable and connector
- 16 Shifter (gearbox) connector  
*(gearbox sold separately)*
- 17 Pedal set connector

## PLUGGING THE RACING WHEEL INTO AN ELECTRICAL OUTLET: PLEASE READ BEFORE PROCEEDING!

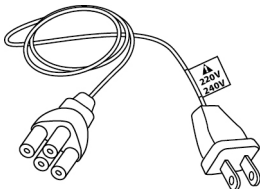
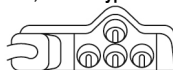
Your racing wheel's power supply varies according to the country where you purchased your device.  
The power supply can be:

### **Mainland China: internal, with:**

\* A power supply unit located directly inside the racing wheel's base, with a type A connector

\*A 220-240V mains power supply cable

= compatible only with a 220-240V electrical supply.



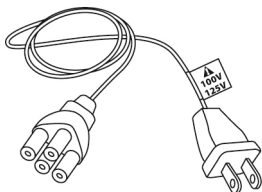
**Never connect the 220-240V cable to a 100-130V power outlet! Never connect this cable to a mains power adapter!**

### **Taiwan: internal, with:**

\* A power supply unit located directly inside the racing wheel's base, with a type A connector

\*A 100-125V power supply cable

= compatible only with a 100-125V electrical supply.



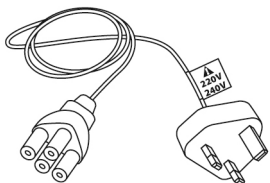
**Never connect the 100-125V cable to a 220-240V power outlet! Never connect this cable to a mains power adapter!**

**Hong Kong: internal, with:**

\* A power supply unit located directly inside the racing wheel's base, with a type G connector

\*A 220-240V mains power supply cable

= compatible only with a 220-240V electrical supply.



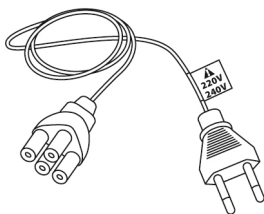
**Never connect the 220-240V cable to a 100-130V power outlet! Never connect this cable to a mains power adapter!**

**Korea: internal, with:**

\* A power supply unit located directly inside the racing wheel's base, with a type C connector

\*A 220-240V mains power supply cable

= compatible only with a 220-240V electrical supply.



**Never connect the 220-240V cable to a 100-130V power outlet! Never connect this cable to a mains power adapter!**

**IMPORTANT: if you do not know which voltage is supplied in the area in which you are using your racing wheel, please refer to your local electricity supplier.**

## WARNING

Before using this product, please read this manual carefully and save it for later reference.



### **Warning – Electrical shock**

- \* Keep the product in a dry location and do not expose it to dust or sunlight.
- \* Do not twist or pull on the connectors and cables.
- \* Do not spill any liquid on the product or its connectors.
- \* Do not short-circuit the product.
- \* Never dismantle the product; do not throw it onto a fire and do not expose it to high temperatures.
- \* Do not use a power supply cable other than the one provided with your racing wheel.
- \* Do not use the power supply cable if the cable or its connectors are damaged, split or broken.
- \* Make sure that the power supply cable is properly plugged into an electrical outlet, and properly connected to the connector at the rear of the racing wheel's base.
- \* Do not open up the racing wheel: there are no user-serviceable parts inside. Any repairs must be carried out by the manufacturer, its authorized representative or a qualified technician.
- \* Only use attachment systems/accessories specified by the manufacturer.
- \* If the racing wheel is operating abnormally (if it is emitting any abnormal sounds, heat or odors), stop using it immediately, unplug the power supply cable from the electrical outlet and disconnect the other cables.
- \* If you will not be using the racing wheel for an extended period of time, unplug its power supply cable from the electrical outlet.
- \* The power outlet shall be installed near the equipment and shall be easily accessible.



### **Air vents**

Make sure not to block any of the air vents on the racing wheel's base. For optimal ventilation, make sure to do the following:

- \* Position the wheel's base at least 4"/10 cm away from any wall surfaces.
- \* Do not place the base in any tight spaces.
- \* Do not cover the base.
- \* Do not let any dust build up on the air vents.



**For safety reasons, never use the pedal set with bare feet  
or while wearing only socks on your feet.**

**THRUSTMASTER® DISCLAIMS ALL RESPONSIBILITY IN THE EVENT OF  
INJURY RESULTING FROM USE OF THE PEDAL SET WITHOUT SHOES.**





### **Warning – Injuries due to force feedback and repeated movements**

Playing with a force feedback racing wheel may cause muscle or joint pain. To avoid any problems:

- \* Avoid lengthy gaming periods.
- \* Take 10 to 15 minute breaks after each hour of play.
- \* If you feel any fatigue or pain in your hands, wrists, arms, feet or legs, stop playing and rest for a few hours before you start playing again.
- \* If the symptoms or pain indicated persist when you start playing again, stop playing and consult your doctor.
- \* Keep out of children's reach.
- \* During gameplay, always leave both hands correctly positioned on the wheel without completely letting go.
- \* During gameplay, never place your hands or your fingers under the pedals or anywhere near the pedal set.
- \* During calibration and gameplay, never place your hand or your arm through the openings in the racing wheel.
- \* Make sure that the racing wheel's base is properly secured, as per this manual's instructions.

### **HEAVY PRODUCT**



Product to be handled only by users  
16 years of age or older



Be careful not to drop the product on  
yourself or on anyone else!

**ALWAYS**



**NEVER**



**NEVER**





### **Warning – Pedal set pinch hazard when playing**

- \* Keep the pedal set out of children's reach.
- \* During gameplay, never place your fingers on or anywhere near the sides of the pedals.
- \* During gameplay, never place your fingers on or anywhere near the pedal's rear base.
- \* During gameplay, never place your fingers on or anywhere near the pedal's front base.



### **Warning – Pedal set pinch hazard when not playing**

- \* Store the pedal set in a safe place, and keep it out of children's reach.

## **UPDATING YOUR RACING WHEEL'S FIRMWARE**

The firmware included in your racing wheel's base can be updated to a more recent version featuring product enhancements.

To display the firmware version that your racing wheel is currently using and update it if required: on PC, visit <http://support.thrustmaster.com>. Click **Racing Wheels / T300 RS**, then select **Firmware** and follow the instructions describing the download and installation procedure.

#### **Important note:**

**On PC, the USB sliding switch (5) on the racing wheel's base must always be set to the PS3™ position.**

## INSTALLING THE WHEEL ON ITS BASE

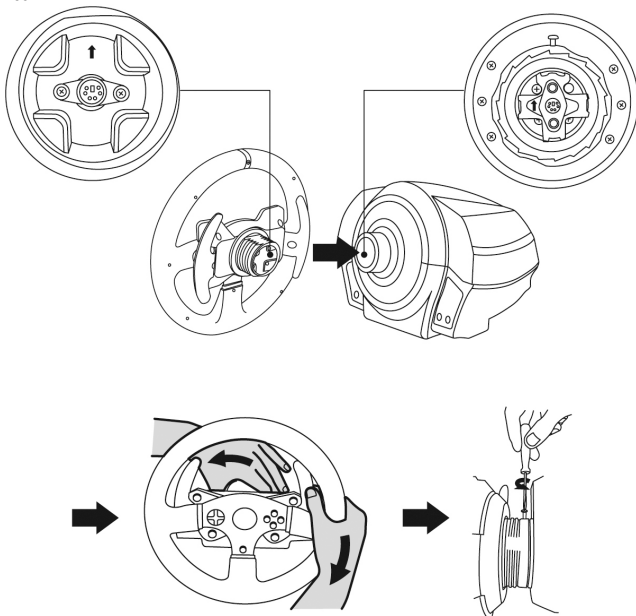
Align the connector positions using the arrows:

**Base (1) connector:** Arrow pointing upwards

**Racing wheel (2) connector:** Arrow pointing upwards

Once the connectors are correctly positioned, simply rotate the Thrustmaster Quick Release (12) device's ring counterclockwise, while holding the racing wheel (2) in position.

Then, tighten the ring as much as you can: to do so, hold the ring in position and rotate the racing wheel clockwise.



Once you have installed the wheel, rotate it 180° (when facing the wheel, the GT logo should be upside down) to access the small attachment screw located on the ring of the Thrustmaster Quick Release (12) device. Use a large Phillips screwdriver to tighten the small attachment screw (do not use excessive force), turning it clockwise.



**Do not use excessive force when tightening the small attachment screw  
(using a Phillips screwdriver)!**

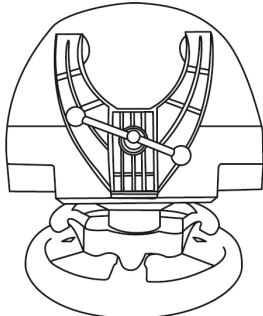
**Stop turning the screw as soon as you feel some resistance.**

## ATTACHING THE RACING WHEEL

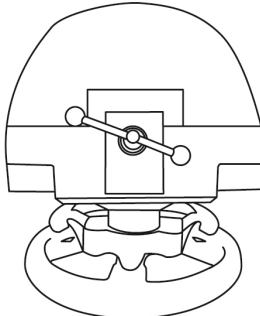
### Attaching the racing wheel to a table or a desktop

1. Place the racing wheel on a table or any other horizontal, flat and stable surface.
2. Insert the fastening screw (11) in the attachment system (10), then tighten the device by turning the screw counterclockwise, so that it feeds into the large threaded hole (9) located beneath the racing wheel, until the wheel is perfectly stable.

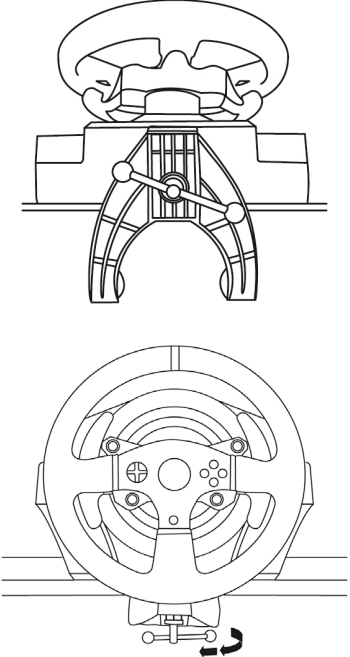
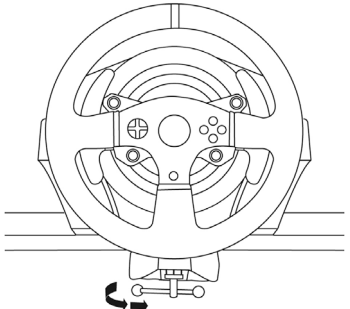
**ALWAYS**



**NEVER**



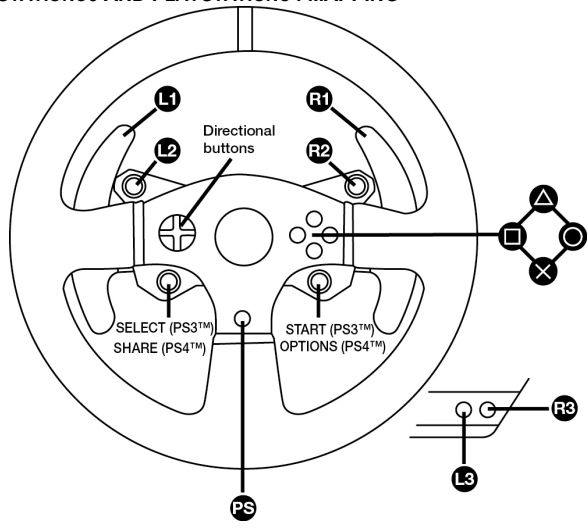
**WARNING:** Never tighten the screw alone, without the attachment system in place!  
(This could damage the racing wheel.)

ATTACHMENT / REMOVAL	DIRECTION
<p><b><u>To tighten:</u></b></p> <p><i>Turn the screw counterclockwise</i></p>	
<p><b><u>To release:</u></b></p> <p><i>Turn the screw clockwise</i></p>	

## Attaching the racing wheel's base to a cockpit

1. Place the racing wheel's base on the cockpit shelf.
2. Drive two M6 screws (not included) through the cockpit shelf, then feed them into the two small screw threads located on the underside of the racing wheel.  
*Important: The length of the two M6 screws must not exceed the thickness of the shelf + 0.5"/12 mm; longer screws could cause damage to internal components located in the racing wheel's base.*
3. If required, tighten the standard attachment system by inserting the fastening screw in the large threaded hole.

# PLAYSTATION®3 AND PLAYSTATION®4 MAPPING



## SETTING UP THE RACING WHEEL FOR PLAYSTATION®3 OR PLAYSTATION®4

1. Connect the pedal set to the connector (17) located at the back of the racing wheel's base.
2. Connect the power supply cable to the connector (14) located at the back of the racing wheel's base.
3. Plug the power supply cable into an electrical outlet with the same voltage specifications.



**For more information about this, please refer to the PLUGGING THE RACING WHEEL INTO AN ELECTRICAL OUTLET section, on page 3 in this manual.**

4. Set the USB sliding switch (5) on the racing wheel's base to either the PS3™ or PS4™ position, depending on the system or the game you are using.
5. Connect the racing wheel's USB connector (15) to one of the system's USB ports.
6. Once your system is powered on, your racing wheel will calibrate itself automatically.
7. On PlayStation®4 (when the USB sliding switch is set to the PS4™ position): press the racing wheel's PS button (8) and sign in to your Sony Entertainment Network account, in order to be able to use the wheel.

***You are now ready to play!***

### **Important notes:**

- The USB sliding switch (5) on the racing wheel's base must always be set to the proper position (PS3™ or PS4™) before connecting the wheel's USB cable to the system. To change the sliding switch's position, disconnect the USB cable from the system and then change the position of the switch before reconnecting the USB cable to the system.
- On PlayStation®3, the USB sliding switch (5) must always be set to the PS3™ position:
  - \* The wheel is recognized in most games as a T500RS wheel.
  - \* The wheel is functional in compatible games and in system menus.
  - \* The "PS" function is functional on the wheel.
- On PlayStation®4, with the USB sliding switch (5) in the PS3™ position:
  - \* The wheel is recognized in most games as a T500RS wheel.
  - \* The wheel is functional in compatible games, but not in system menus.
  - \* The "SHARE" and "PS" functions are not functional on the wheel.
- On PlayStation®4, with the USB sliding switch (5) in the PS4™ position:
  - \* Don't forget to press the racing wheel's PS button (8) in order to be able to use the wheel.
  - \* The wheel is recognized in most games as a T300 RS wheel.
  - \* The wheel is functional in compatible games and in system menus.
  - \* The "SHARE" and "PS" functions are functional on the wheel.
- *The list of PlayStation®3 and PlayStation®4 games compatible with the T300 RS (along with the required position for the USB sliding switch (5) according to the game being played) is available at:*

**<http://support.thrustmaster.com>**

***(click Racing Wheels / T300 RS / Games settings).***

***This list is updated regularly.***



## AUTOMATIC RACING WHEEL AND PEDAL SET CALIBRATION

The wheel automatically self-calibrates when you plug the racing wheel into an electrical outlet and connect the racing wheel's USB connector to the system.

During this phase, the racing wheel will rotate quickly towards the left and the right, covering a 1080 degree angle, before stopping at the center.



### **WARNING:**

**Never touch the racing wheel during the self-calibration phase!**  
*(This could result in improper calibration and/or personal injuries.)*

## AUTOMATIC CALIBRATION OF THE PEDAL SET

Never connect the pedal set to the racing wheel's base (or disconnect it from the base) when it is connected to the system or during gameplay (this could result in improper calibration).

Always connect the pedal set before connecting the racing wheel to the system.

Once the racing wheel's calibration is complete and the game has been started, the pedals are automatically calibrated after a few presses.



### **WARNING:**

**Never press the pedals during the racing wheel's self-calibration phase or while a game is loading!**  
*(This could result in improper calibration.)*

**If your racing wheel and/or pedal set do not function correctly, or if they seem to be improperly calibrated:**

Power off your system and completely disconnect the racing wheel. Then reconnect all cables (including the power supply cable and the pedal set), and restart your system and your game.

## INTERNAL TEMPERATURE SENSOR

The wheel's cooling system is composed of a heat sink and a fan.

- A thermostat monitors the wheel's internal temperature.
- When you are using the wheel in a game:
  - The cooling fan starts up when the wheel has reached a certain temperature (after a few minutes of gameplay, depending on the strength of the Force Feedback effects used).
  - The power of the Force Feedback effects automatically decreases as soon as the wheel reaches a much higher temperature level (to protect the motor). The power of these effects automatically increases as soon as the temperature slightly decreases.
- When you're done playing: due to the motor's thermal inertia, the cooling fan continues to operate until the temperature drops below the fan's startup level. Your wheel has been designed in this way in order to facilitate cooling, and to protect the motor (this may take from 5 to 45 minutes, depending on the temperature reached while using the wheel in a game).

## MODE BUTTON AND INDICATOR LIGHT (6)

### MODE button for the pedal set

You can electronically swap the accelerator and clutch pedals.

To do so, simply press the MODE button (6) for 2 seconds.

The racing wheel's internal memory stores whether the pedals have been swapped around or not.

GAS AND CLUTCH PEDALS	Colour of the MODE indicator light (6)
NORMAL	RED
SWAPPED AROUND	GREEN

### Other information regarding the MODE button

To learn more about the MODE button and indicator light, please visit <http://support.thrustmaster.com>. Click **Racing Wheels / T300 RS**, and then select **Manual** or **FAQ**.

## HELP FILES AND FAQs (NOT INCLUDED IN THIS MANUAL)

Please visit <http://support.thrustmaster.com>. Click **Racing Wheels / T300 RS**, and then select **Manual** or **FAQ**.

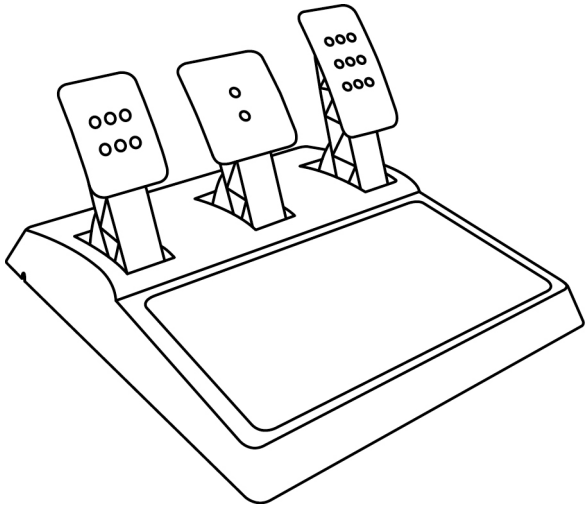
### SETTING UP THE RACING WHEEL FOR PC\*

### UPDATING YOUR RACING WHEEL'S FIRMWARE

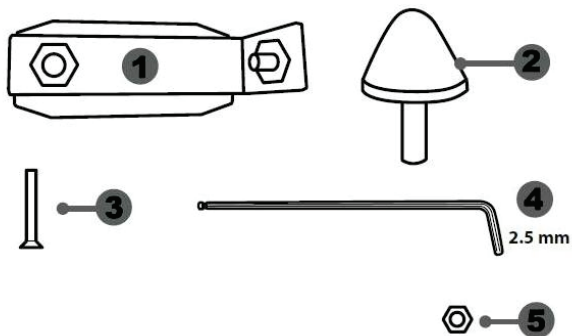
*\*PC compatibility not tested nor endorsed by Sony Interactive Entertainment, Inc.*

For more information, visit <http://support.thrustmaster.com>.

# T3PA – GT EDITION PEDAL SET



## TECHNICAL FEATURES



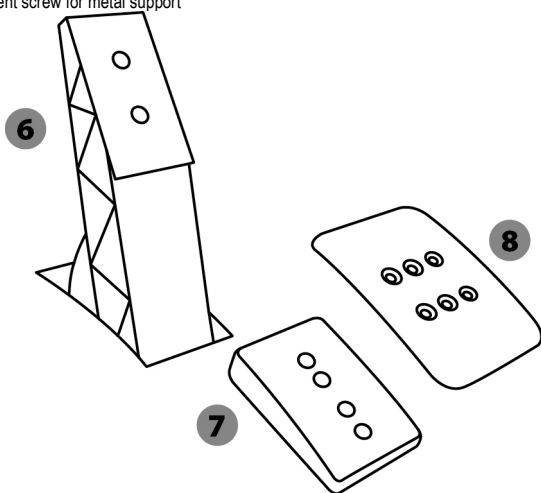
1 Metal support for conical stop  
(not installed by default)

2 Conical stop

3 Attachment screw for metal support

4 2.5 mm Allen key (included)

5 Position adjustment nut for conical stop



6 Pedal arm

7 Plastic head support

8 Metal pedal head

## WARNING

Before using this product, be sure to read these instructions carefully and save them for future reference.



For safety reasons, never use the pedal set with bare feet or while wearing only socks on your feet.

**THRUSTMASTER® DISCLAIMS ALL RESPONSIBILITY IN THE EVENT OF INJURY RESULTING FROM USE OF THE PEDAL SET WITHOUT SHOES.**



### **Warning – Pedal set pinching hazard during gaming sessions**

- \* Keep the pedal set out of the reach of children.
- \* During gaming sessions, never place your fingers or thumbs on or near the sides of the pedals.
- \* During gaming sessions, never place your fingers or thumbs on or near the rear base of the pedals.
- \* During gaming sessions, never place your fingers or thumbs on or near the front base of the pedals.

**NEVER**



**NEVER**



**NEVER**



## AUTOMATIC CALIBRATION OF PEDALS



### **IMPORTANT:**

- Never connect or disconnect the pedal set from the base of the wheel when the wheel is connected to the system or PC, or during gaming sessions, to avoid calibration problems.
- = Always connect the pedal set to the wheel before connecting the wheel to the system or PC.
- Once the wheel has self-calibrated and the game has started, the pedals automatically calibrate themselves after being pressed a few times.
- Never press on the pedals when the wheel is self-calibrating or when your game is starting up, to avoid calibration problems.
- If the pedals are not functioning correctly or appear to be improperly calibrated, power off your system, completely disconnect your wheel, then reconnect all of the cables (including the power supply cable and the pedal set cable), power the system back on and restart your game.

## ATTACHING THE PEDAL SET TO A COCKPIT

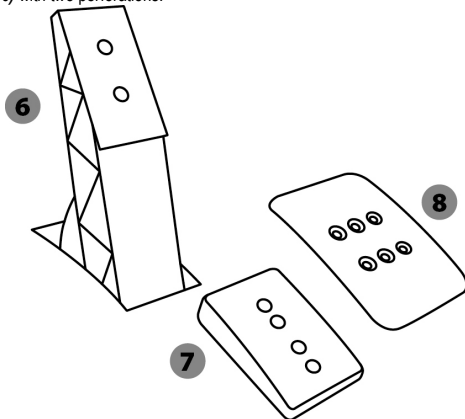
- Attach the pedal set using the small screw threads located on the underside of the pedal set.
- Screw two M6 screws (not included) into the cockpit's pedal support plate and into the two small screw threads located on the underside of the pedal set.

**Important:** The length of the two M6 screws must not exceed the thickness of the cockpit's pedal support plate plus an additional 0.4"/10 mm, to avoid damaging the pedal set's internal components.

## ADJUSTING THE PEDAL SET

Each of the three pedals includes:

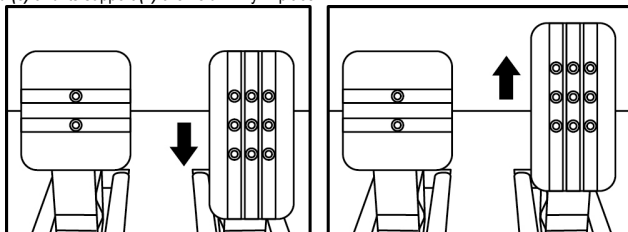
- A metal head (8) with multiple perforations (nine for the accelerator – two for the brake – six for the clutch).
- A plastic head support (7) (placed between the head and the arm) with four perforations.
- A pedal arm (6) with two perforations.



**ATTENTION:** To avoid any calibration problems, be sure to always disconnect your wheel's USB cable from the system or PC before making any adjustments to your pedal set.

### Adjusting the HEIGHT of the accelerator pedal

- Using the included 2.5 mm Allen key (4), unscrew the two screws holding the metal head (8) and its support (7) in place.
- Select your preferred height position, then replace and re-tighten the screws so that the metal head (8) and its support (7) are held firmly in place.



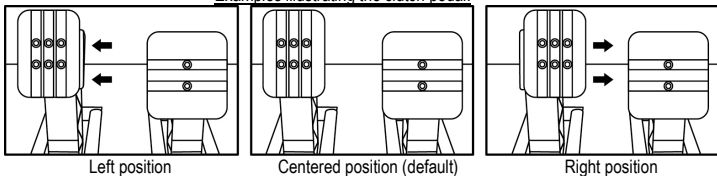
Low position (default)

High position

## Adjusting the SPACING

- Using the included 2.5 mm Allen key (4), unscrew the two screws holding the metal head (8) and its support (7) in place.
- Select your preferred position (to the left, centered, or to the right), then replace and re-tighten the screws so that the metal head (8) and its support (7) are held firmly in place.

Examples illustrating the clutch pedal:



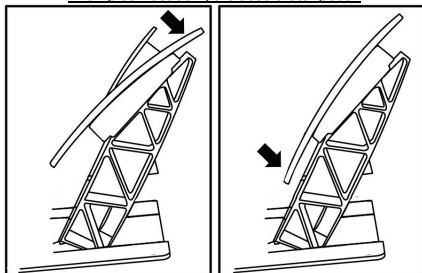
Number of possible spacing positions per pedal:

- Three for accelerator pedal
- Three for clutch pedal

## Adjusting the INCLINATION of the pedals

- Using the included 2.5 mm Allen key (4), unscrew the two screws holding the metal head (8) and its support (7) in place.
- Turn the plastic head support (7) 180°, then replace and re-tighten the screws so that the metal head (8) and its support (7) are held firmly in place.

Examples illustrating the accelerator pedal:



Less inclined position      More inclined position (default)

Number of possible inclination positions per pedal:

- Two for accelerator pedal
- Two for brake pedal
- Two for clutch pedal

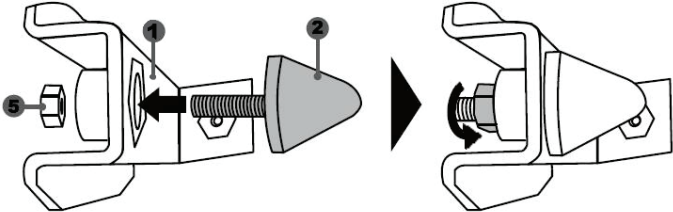


## Installing the conical stop (“CONICAL RUBBER BRAKE” mod)

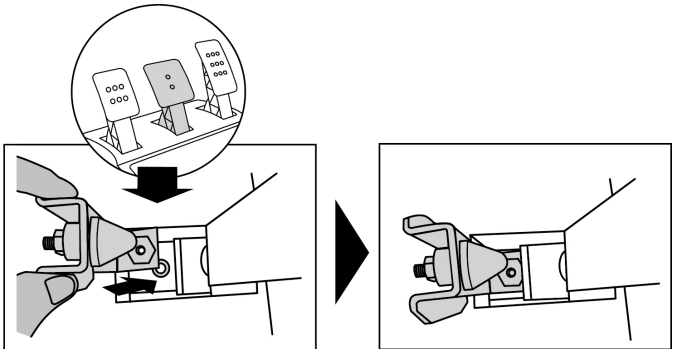
*This modification (or “mod”) is not essential, and is not installed by default. This means that the brake pedal functions perfectly even if the mod is not installed.*

*This mod lets you experience a different feeling and resistance when braking. It’s up to you whether or not to install it, depending on your own preferences.*

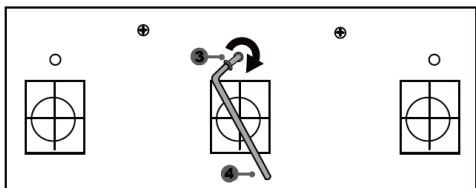
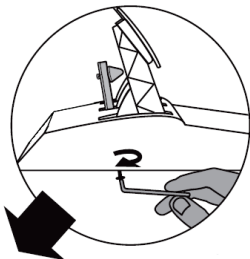
- Screw the conical stop (2) onto its metal support (1).
- Screw the position adjustment nut (5) onto the bottom (onto the conical stop’s screw thread).



- Position the unit at the back of the brake pedal’s arm.



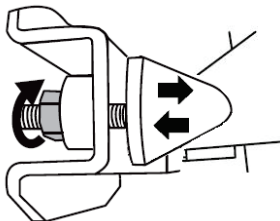
- Using the included 0.1"/2.5 mm Allen key (4), attach the unit using the attachment screw (3) and the small central screw thread located on the underside of the pedal set.



The "CONICAL RUBBER BRAKE" mod is now installed!

### Adjusting the brake pedal's RANGE of travel and STRENGTH of resistance

By slightly unscrewing the nut (5), you can further strengthen the resistance of the brake pedal by moving the conical stop (2) closer to the back of the pedal's arm (if necessary, use a 0.55"/14 mm wrench or pliers to re-tighten the nut and maintain the selected position). The closer the conical stop is positioned to the back of the pedal's arm, the greater the strength of resistance will be.



**Note:** When the conical stop is very close to the back of the brake pedal's arm, you may experience difficulties in reaching the maximum calibration value. Should that be the case:

- \* Slowly, press very hard on the brake pedal so as to reach the maximum value (if necessary, stand very briefly on the pedal – just for a second), then release the pressure; or else
- \* Move the conical stop a bit farther away from the back of the brake pedal's arm.

## **COPYRIGHT**

© 2016 Guillemot Corporation S.A. All rights reserved. Thrustmaster® is a registered trademark of Guillemot Corporation S.A.

"PS", "PlayStation", "PS3", "PS4" and "ΔOX□" are registered trademarks of Sony Interactive Entertainment Inc. All rights reserved.

All other trademarks and brand names are hereby acknowledged and are property of their respective owners. Illustrations not binding. Contents, designs and specifications are subject to change without notice and may vary from one country to another. Made in China.

## **ENVIRONMENTAL PROTECTION RECOMMENDATION**

Please adhere to local recycling laws for electrical and electronic equipment.

Retain this information. Colors and decorations may vary.

Plastic fasteners and adhesives should be removed from the product before it is used.

***[www.thrustmaster.com](http://www.thrustmaster.com)***

