

- HARDWARE USER MANUAL
- MANUEL DE L'UTILISATEUR HARDWARE
- HARDWARE-BENUTZERHANDBUCH
- HARDWAREHANDLEIDING
- MANUALE D'USO HARDWARE
- MANUAL DEL USUARIO DEL HARDWARE
- MANUAL DO UTILIZADOR DO HARDWARE
- РУКОВОДСТВО ПОЛЬЗОВАТЕЛЯ ПО ТЕХНИЧЕСКОМУ ОБЕСПЕЧЕНИЮ
- 取扱説明書
- 硬件用户手册

***THRUSTMASTER®***

**HOTAS WARTHOG™**

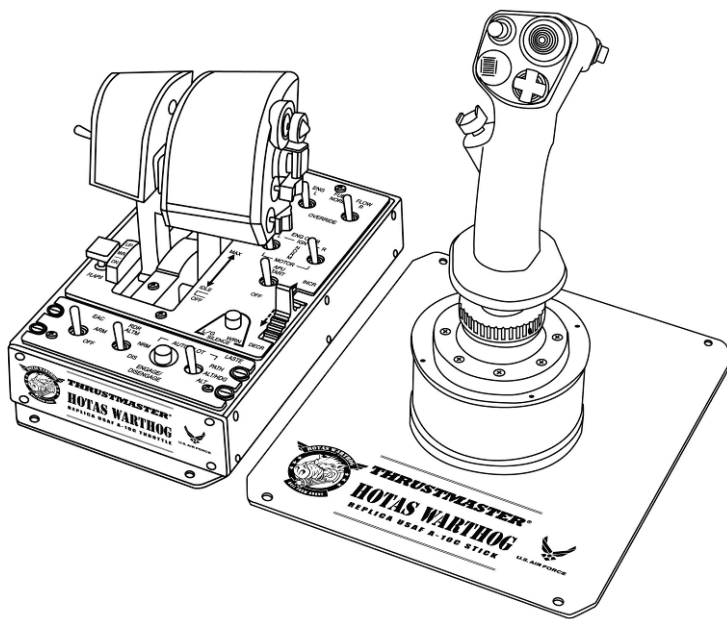


# HOTAS WARTHOG



Compatible: PC

Hardware User Manual



ENGLISH

Français

Deutsch

Nederlands

Italiano

Español

Português

Русский

## **U.S. Air Force A-10C attack aircraft HOTAS™ (\*\*\*) (Hands On Throttle And Stick) replica joystick pack, including:**

### **1 Replica JOYSTICK**

- Innovative new H.E.A.R.T HallEffect AccuRate Technology(\*):
  - 3D magnetic sensors (Hall Effect) on the stick
  - 16-bit resolution (65536 x 65536 values)
  - 5 coil spring system(\*)
- USB connection with upgradeable firmware
- Super-stable, weighted base (over 3kg)
- New detachable handle, crafted entirely of metal:
  - also compatible with HOTAS COUGAR™ handle (and vice-versa)
  - new replica shape
  - detachable metal plate for desk- or cockpit-style use
  - new, realistic pressure on buttons and trigger
  - 19 action buttons in total + one 8-way "point of view" hat:
    - . 1 x 8-way "point of view" hat
    - . 2 x 8-way hats
    - . 1 x 4-way hat with push button
    - . 1 x metal dual trigger
    - . 2 x push buttons
    - . 2 x pinkie push buttons

### **1 Replica CONTROL PANEL**

- Weighted base (over 3,5kg) incorporated underneath the throttles
- Backlit functions
- 5 programmable LEDs
- Realistic pressure on buttons and switches
- 15 action buttons in total + 1 TRIM wheel:
  - . 1 x TRIM wheel
  - . 2 x push buttons
  - . 5 x 2-position switches (2 permanent)
  - . 2 x 3-position switches (1 momentary + 2 permanent)
  - . 2 x 3-position switches (3 permanent)

## Dual Replica THROTTLES

- Innovative new H.E.A.R.T HallEffect AccuRate Technology(\*):
  - 3D magnetic sensors (Hall Effect) on the 2 throttles
  - 14-bit resolution (16384 values) on each throttle
- USB connection with upgradeable firmware
- Dual throttles, featuring:
  - metal hand rest
  - locking system
  - adjustable friction system
  - realistic IDLE detent with "Pull & Push"(\*) system
  - realistic and disengageable AFTERBURNER detent with "Pull & Push"(\*) system
  - realistic pressure on buttons and switches
  - 17 action buttons in total + 1 mouse hat with push button + one 8-way "point of view" hat:
    - . 1 x mouse hat with push button and 3D magnetic sensor (Hall Effect)
    - . 1 x 8-way hat
    - . 1 x 4-way hat with push button
    - . 1 x push button
    - . 1 x 3-position switch (2 momentary + 1 permanent)
    - . 2 x 3-position switches (3 permanent)
    - . 1 x 3-position switch (1 momentary + 2 permanent)

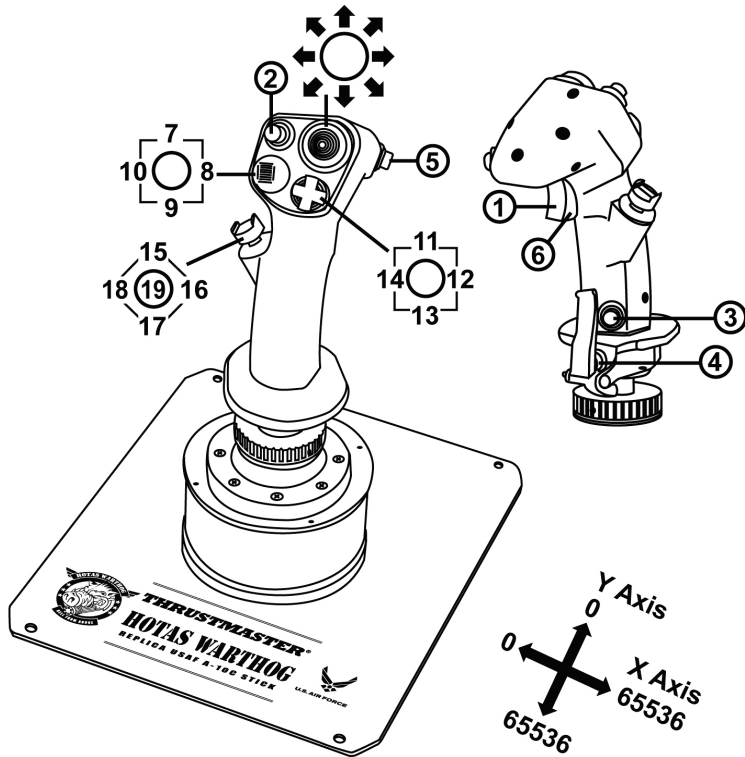
(\*) Patent pending.

(\*\*) HOTAS™ is a trademark of Guillemot Corporation S.A.

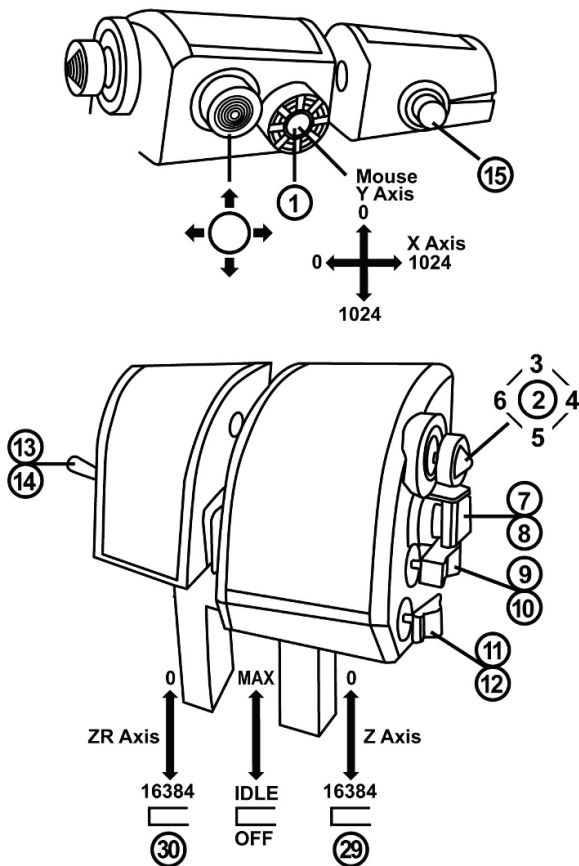


# CONFIGURATION OF BUTTONS AND AXES

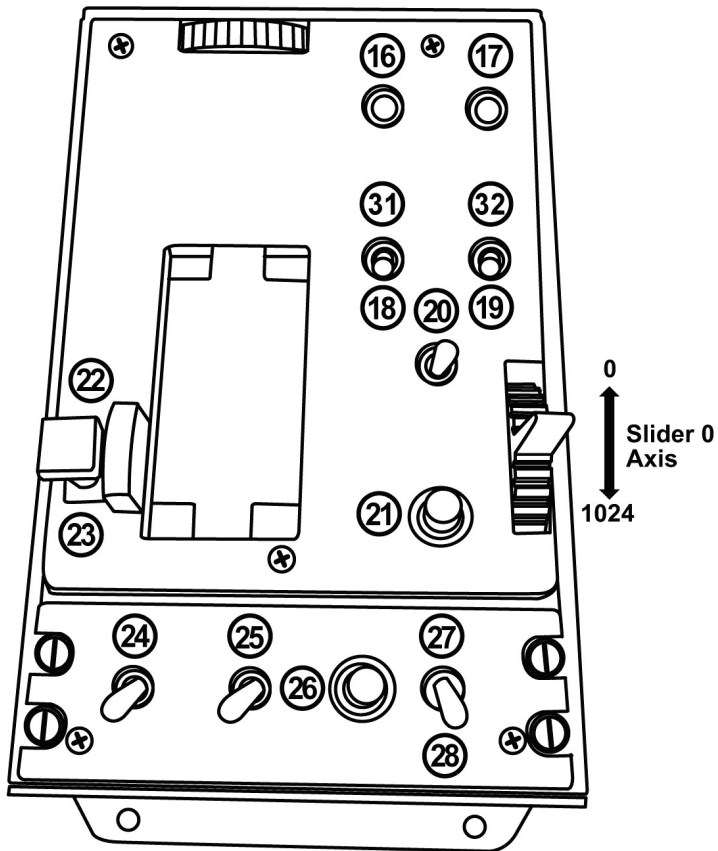
On the JOYSTICK:

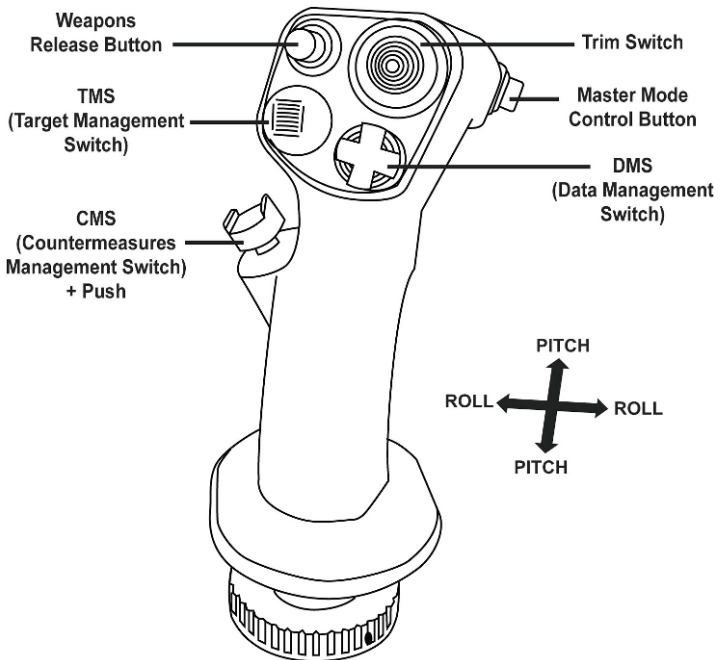


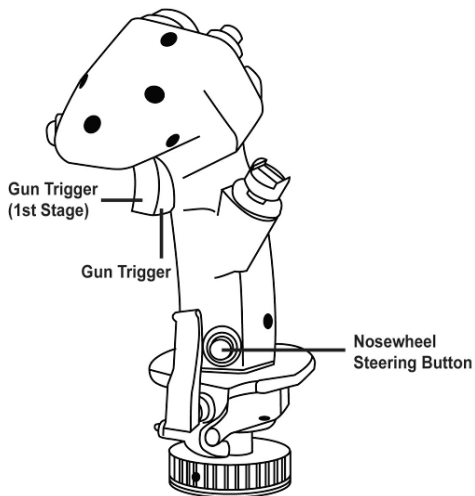
On the THROTTLE:



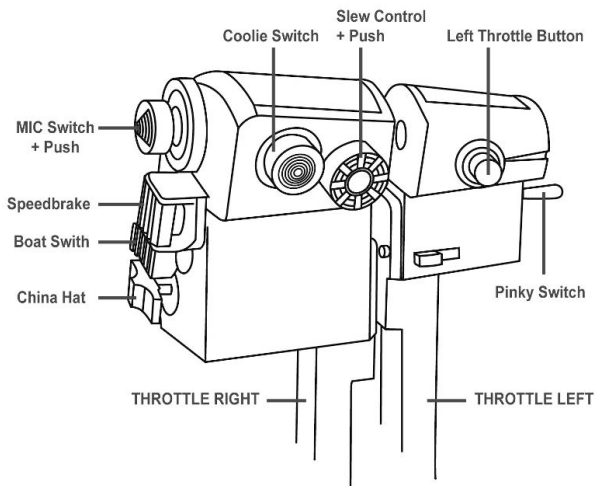
On the CONTROL PANEL:



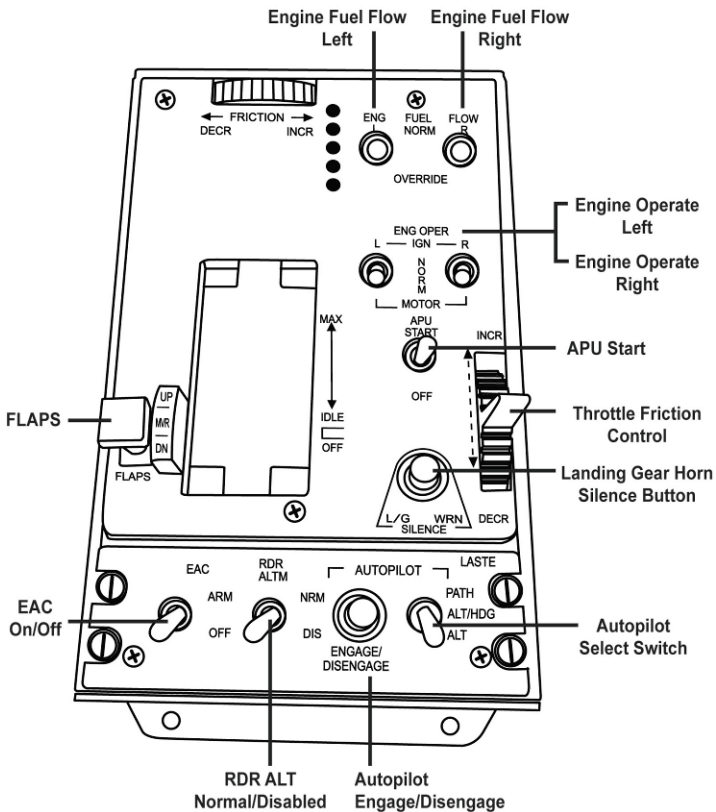
**"A-10C" AIRCRAFT FUNCTIONS**On the JOYSTICK:



On the THROTTLE:



On the CONTROL PANEL:

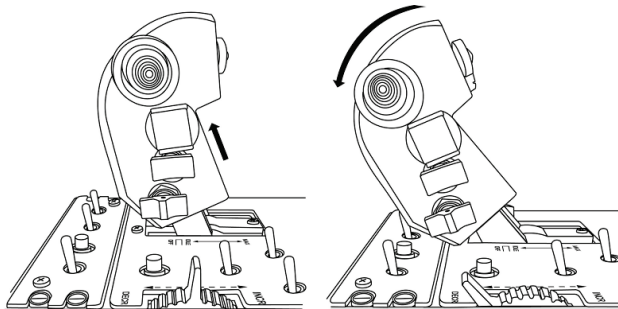


## REALISTIC IDLE AND AFTERBURNER DETENTS

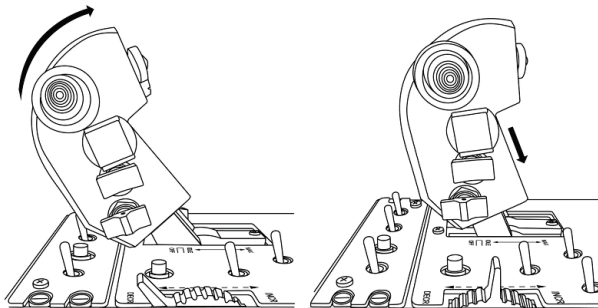
The HOTAS Warthog's throttle features realistic systems for IDLE and AFTERBURNER detents (the AFTERBURNER system is disengageable).

### IDLE:

When set to IDLE: to cut off the aircraft's motors (in compatible games), raise the throttle levers slightly (in order to get over the stop) and put the throttle levers into the OFF position.

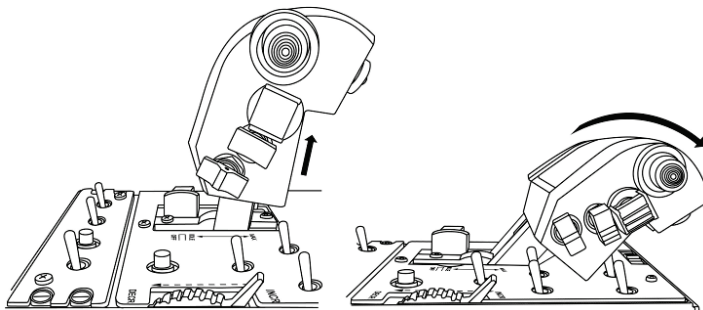


To power the motors back on, simply push the throttle levers forward (and then slightly down), into the IDLE position.



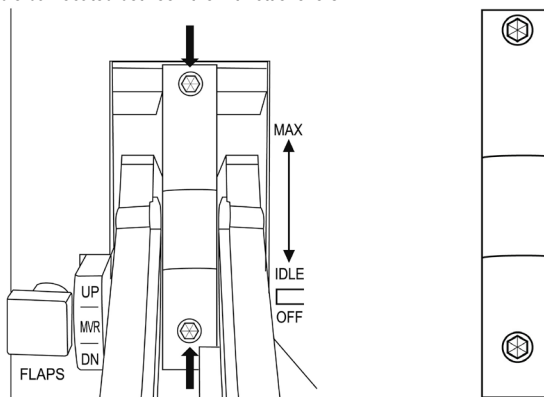
**AFTERBURNER:**

When the AFTERBURNER module stop is in place, raise the throttle levers slightly (in order to get over the stop) and push them forward.

**INSTALLING/UNINSTALLING THE AFTERBURNER STOP:**

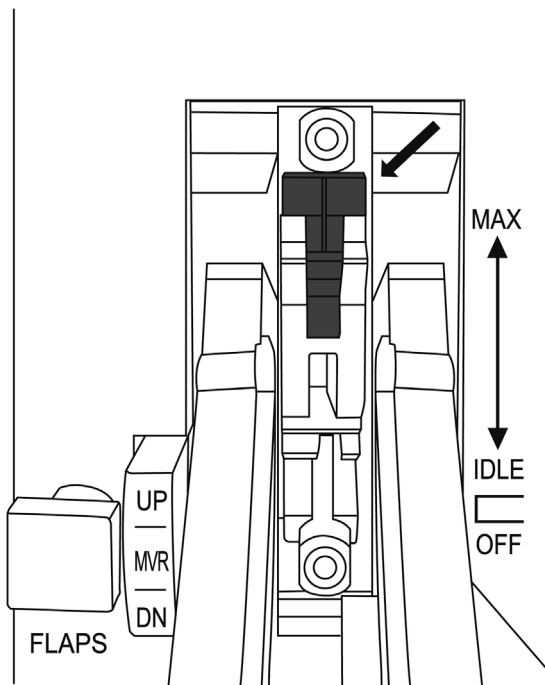
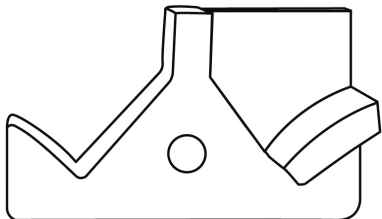
*(By default, the AFTERBURNER module stop is not installed).*

- Using the included Allen Key, unscrew the 2 screws as shown below, and take out the removable bar located between the 2 throttle levers.



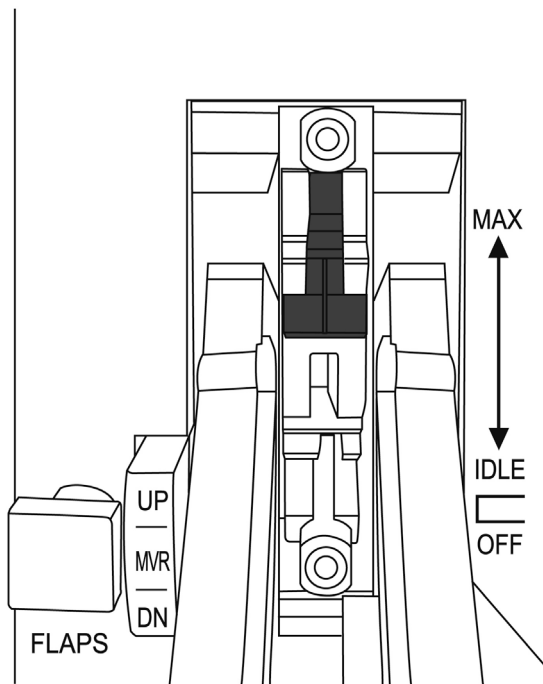


- Take out the AFTERBURNER module, located underneath the removable bar:



**(In this position, the AFTERBURNER stop is disabled)**

- Turn the module upside down and put it back in its place:



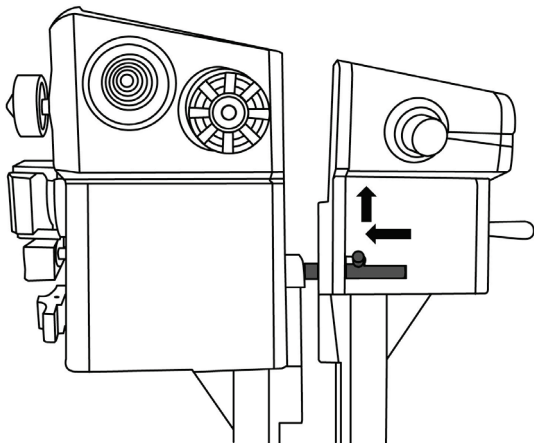
**(In this position, the AFTERBURNER stop is now enabled)**

- Put the removable bar back between the 2 throttle levers, then replace and re-tighten the 2 screws.

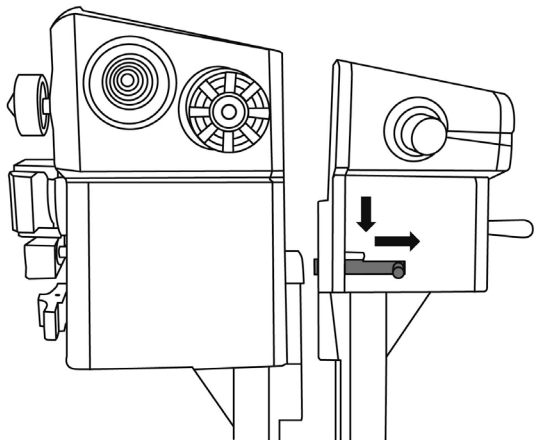
**IMPORTANT NOTE:** In order to avoid any possible damage to the AFTERBURNER module, you must never use the throttle levers without the removable bar properly installed (using the 2 screws) between the 2 throttle levers.

## ATTACHING/SEPARATING THE 2 THROTTLE LEVERS

To attach the throttle levers together:



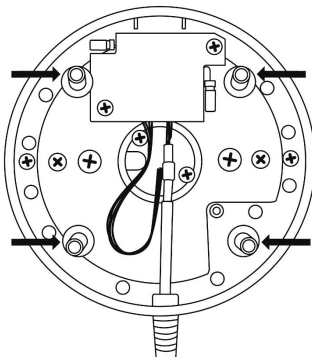
To detach the throttle levers from one another:



## INSTALLING THE JOYSTICK IN A COCKPIT OR OTHER FIXED SUPPORT

To attach the joystick in a cockpit:

- Unscrew the 4 screws located underneath the joystick's metal base plate, and remove the metal base plate.
- Use the 4 screw threads located on the underside of the joystick to attach the joystick directly to your fixed support.



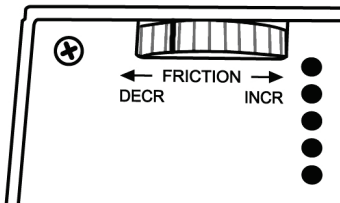
You can also use the 4 holes located in the corners of the metal base plates of the joystick and the throttle to attach both elements to a fixed support.

## THROTTLE ADJUSTABLE FRICTION SYSTEM

- To increase the friction: turn the wheel to the right.
- To decrease the friction: turn the wheel to the left.

### IMPORTANT NOTES:

- Friction on the dual throttles is set to the minimum value by default.
- In order to allow for precise adjustment according to your taste, roughly ten full turns must be made to go from minimum friction to maximum friction.
- You can use the white mark, found on the wheel, to help count your turns, if necessary.



## **BACKWARDS-COMPATIBILITY**

The new "HOTAS Warthog" handle is backwards-compatible with the base of the "HOTAS Cougar" (and vice versa).

Only the CMS push button (button 19) will be non-functional, as it was not originally featured on the HOTAS Cougar.

## **CONTROL PANEL BACKLIGHTING**

The intensity of the control panel's backlighting can be adjusted directly via T.A.R.G.E.T (Thrustmaster Advanced pROgramming Graphical EdiTor). Five different levels of intensity are available: from 1 (minimum intensity) to 5 (maximum intensity), with the default level set at 2.

## **MANAGING THE 5 PROGRAMMABLE LEDS**

You can manage the Control Panel's 5 programmable LEDs directly via T.A.R.G.E.T. (Thrustmaster Advanced pROgramming Graphical EdiTor).

## **CONSUMER WARRANTY INFORMATION**

Worldwide, Guillemot Corporation S.A., whose registered office is located at Place du Granier, B.P. 97143, 35571 Chantepie, France (hereinafter "Guillemot") warrants to the consumer that this Thrustmaster product shall be free from defects in materials and workmanship, for a warranty period which corresponds to the time limit to bring an action for conformity with respect to this product. In the countries of the European Union, this corresponds to a period of two (2) years from delivery of the Thrustmaster product. In other countries, the warranty period corresponds to the time limit to bring an action for conformity with respect to the Thrustmaster product according to applicable laws of the country in which the consumer was domiciled on the date of purchase of the Thrustmaster product (if no such action exists in the corresponding country, then the warranty period shall be one (1) year from the original date of purchase of the Thrustmaster product).

Notwithstanding the above, rechargeable batteries are covered by a warranty period of six (6) months from the date of original purchase.

Should the product appear to be defective during the warranty period, immediately contact Technical Support, who will indicate the procedure to follow. If the defect is confirmed, the product must be returned to its place of purchase (or any other location indicated by Technical Support).

Within the context of this warranty, the consumer's defective product shall, at Technical Support's option, be either replaced or returned to working order. If, during the warranty period, the Thrustmaster product is subject to such reconditioning, any period of at least seven (7) days during which the product is out of use shall be added to the remaining warranty period (this period runs from the date of the consumer's request for intervention or from the date on which the product in question is made available for reconditioning, if the date on which the product is made available for reconditioning is subsequent to the date of the request for intervention). If permitted under applicable law, the full liability of Guillemot and its subsidiaries (including for consequential damages) is limited to the return to working order or the replacement of the Thrustmaster product. If permitted under applicable law, Guillemot disclaims all warranties of merchantability or fitness for a particular purpose.

This warranty shall not apply: (1) if the product has been modified, opened, altered, or has suffered damage as a result of inappropriate or abusive use, negligence, an accident, normal wear, or any other cause unrelated to a

material or manufacturing defect (including, but not limited to, combining the Thrustmaster product with any unsuitable element, including in particular power supplies, rechargeable batteries, chargers, or any other elements not supplied by Guillemot for this product); (2) if the product has been used for any use other than home use, including for professional or commercial purposes (game rooms, training, competitions, for example); (3) in the event of failure to comply with the instructions provided by Technical Support; (4) to software, said software being subject to a specific warranty; (5) to consumables (elements to be replaced over the product's lifespan: disposable batteries, audio headset or headphone ear pads, for example); (6) to accessories (cables, cases, pouches, bags, wrist-straps, for example); (7) if the product was sold at public auction.

This warranty is nontransferable.

The consumer's legal rights with respect to laws applicable to the sale of consumer goods in his or her country are not affected by this warranty.

### **Additional warranty provisions**

During the warranty period, Guillemot shall not provide, in principle, any spare parts, as Technical Support is the only party authorized to open and/or recondition any Thrustmaster product (with the exception of any reconditioning procedures which Technical Support may request that the consumer carry out, by way of written instructions – for example, due to the simplicity and the lack of confidentiality of the reconditioning process – and by providing the consumer with the required spare part(s), where applicable).

Given its innovation cycles and in order to protect its know-how and trade secrets, Guillemot shall not provide, in principle, any reconditioning notification or spare parts for any Thrustmaster product whose warranty period has expired.

In the United States of America and in Canada, this warranty is limited to the product's internal mechanism and external housing. In no event shall Guillemot or its affiliates be held liable to any third party for any consequential or incidental damages resulting from the breach of any express or implied warranties. Some States/Provinces do not allow limitation on how long an implied warranty lasts or exclusion or limitation of liability for consequential or incidental damages, so the above limitations or exclusions may not apply to you. This warranty gives you specific legal rights, and you may also have other rights which vary from State to State or Province to Province.

### **Liability**

If permitted under applicable law, Guillemot Corporation S.A. (hereinafter "Guillemot") and its subsidiaries disclaim all liability for any damages caused by one or more of the following: (1) the product has been modified, opened or altered; (2) failure to comply with assembly instructions; (3) inappropriate or abusive use, negligence, an accident (an impact, for example); (4) normal wear; (5) the use of the product for any use other than home use, including for professional or commercial purposes (game rooms, training, competitions, for example). If permitted under applicable law, Guillemot and its subsidiaries disclaim all liability for any damages unrelated to a material or manufacturing defect with respect to the product (including, but not limited to, any damages caused directly or indirectly by any software, or by combining the Thrustmaster product with any unsuitable element, including in particular power supplies, rechargeable batteries, chargers, or any other elements not supplied by Guillemot for this product).

### **FCC STATEMENT**

1. This device complies with Part 15 of the FCC Rules. Operation is subject to the following two conditions:
  - (1) This device may not cause harmful interference, and
  - (2) This device must accept any interference received, including interference that may cause undesired operation.
2. Changes or modifications not expressly approved by the party responsible for compliance could void the user's authority to operate the equipment.

## COPYRIGHT

© 2017 Guillemot Corporation S.A. All rights reserved. Thrustmaster® is a registered trademark of Guillemot Corporation S.A. Windows® is a registered trademark of Microsoft Corporation in the United States and/or other countries. All other trademarks are the property of their respective owners. Illustrations not binding. Contents, designs and specifications are subject to change without notice and may vary from one country to another. Made in China.

Officially licensed product of the Department of the Air Force. Endorsement by the United States Air Force is neither intended nor implied.

## ENVIRONMENTAL PROTECTION RECOMMENDATION



\* In the European Union: At the end of its working life, this product should not be disposed of with standard household waste, but rather dropped off at a collection point for the disposal of Waste Electrical and Electronic Equipment (WEEE) for recycling.

This is confirmed by the symbol found on the product, user manual or packaging.

Depending on their characteristics, the materials may be recycled. Through recycling and other forms of processing Waste Electrical and Electronic Equipment, you can make a significant contribution towards helping to protect the environment.

Please contact your local authorities for information on the collection point nearest you.

For all other countries: Please adhere to local recycling laws for electrical and electronic equipment.

Retain this information. Colours and decorations may vary.

Plastic fasteners and adhesives should be removed from the product before it is used.

This product conforms to all standards regarding children 16 years of age and older. This product is not suitable for use by children less than 16 years of age.

[www.thrustmaster.com](http://www.thrustmaster.com)

*\*Applicable to EU and Turkey only*



**THRUSTMASTER®**

**TECHNICAL SUPPORT**

<http://support.thrustmaster.com>

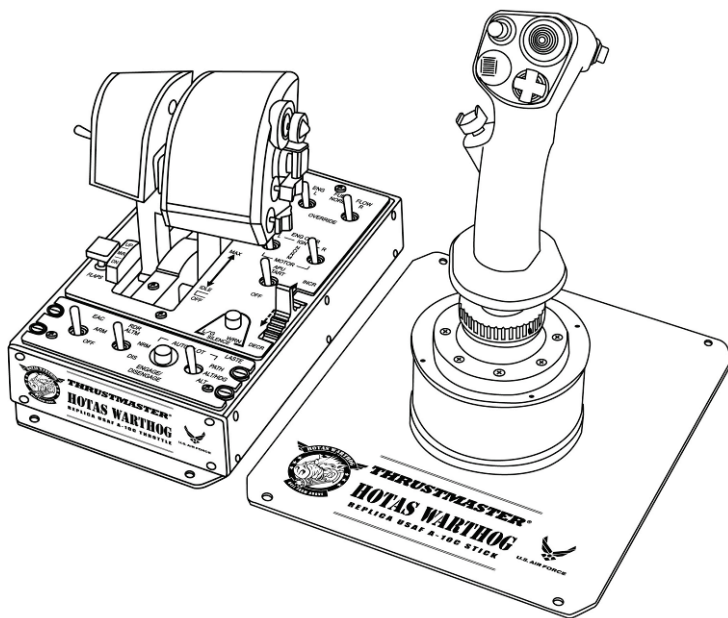


# HOTAS WARTHOG



Compatible : PC

Manuel de l'utilisateur Hardware





## **Ensemble de Joystick HOTAS™(\*\*) (Hands On Throttle And Stick), réplique de l'avion d'attaque A-10C de l'U.S. Air Force, comprenant :**

### **1 JOYSTICK (réplique)**

- Nouvelle technologie H.E.A.R.T HallEffect AccuRate Technology(\*) :
  - capteurs magnétiques 3D (Hall Effect) sur le manche
  - résolution de 16 bits (65536 x 65536 valeurs)
  - système de 5 ressorts hélicoïdaux(\*)
- Connectique USB avec possibilité de mise à jour du firmware
- Système hyper-stable et lesté (> à 3kg)
- Nouveau manche détachable entièrement en métal avec :
  - rétrocompatibilité avec HOTAS COUGAR™ (et inversement)
  - nouvelle forme, réplique du manche original
  - plaque métal détachable pour utilisation type bureau ou cockpit
  - nouvelle force de pression réaliste des boutons et de la gâchette
  - 19 boutons d'actions au total + 1 chapeau chinois « point de vue » 8 directions :
    - . 1 x chapeau « point de vue » 8 directions
    - . 2 x chapeaux 8 directions
    - . 1 x chapeau 4 directions avec bouton-poussoir
    - . 1 x double gâchette en métal
    - . 2 x boutons-poussoirs
    - . 2 x boutons-poussoirs petit-doigt

### **1 PANNEAU DE CONTRÔLE (réplique)**

- Base lestée (> à 3,5 kg) incorporée sous les poignées des gaz
- Rétro-éclairage des fonctions
- 5 voyants lumineux programmables
- Force de pression réaliste des boutons et des interrupteurs
- 15 boutons d'actions au total + 1 molette TRIM :
  - . 1 x molette TRIM
  - . 2 x boutons-poussoirs
  - . 5 x interrupteurs 2 positions (2 permanents)
  - . 2 x interrupteurs 3 positions (1 à rappel + 2 permanents)
  - . 2 x interrupteurs 3 positions (3 permanents)

## **DOUBLE MANETTE DES GAZ (répliques)**

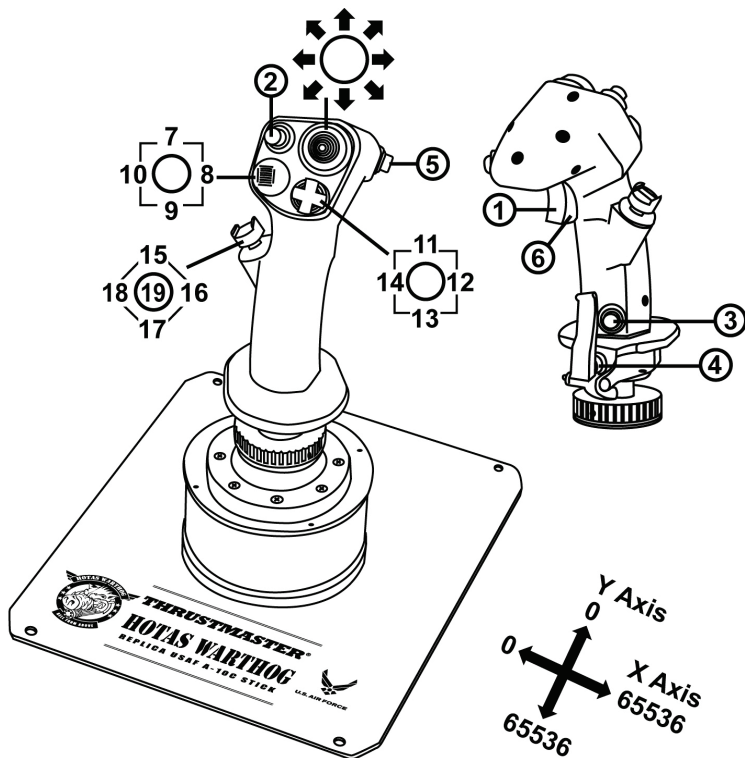
- Nouvelle technologie H.E.A.R.T HallEffect AccuRate Technology(\*) :
  - capteurs magnétiques 3D (Hall Effect) sur les 2 manettes des gaz
  - résolution de 14 bits (16384 valeurs) sur chaque manette des gaz
- Connectique USB avec possibilité de mise à jour du firmware
- Double manette des gaz avec :
  - repose-main en métal
  - système de verrouillage
  - système de friction ajustable
  - IDLE réaliste avec système « Pull & Push »(\*)
  - AFTERBURNER réaliste débrayable avec système « Pull & Push »(\*)
  - force de pression réaliste des boutons et des interrupteurs
  - 17 boutons d'actions au total + 1 chapeau souris avec bouton-poussoir + 1 chapeau chinois
- « point de vue » 8 directions :
  - . 1 x chapeau souris avec bouton-poussoir et capteur magnétique 3D (Hall Effect)
  - . 1 x chapeau 8 directions
  - . 1 x chapeau 4 directions avec bouton-poussoir
  - . 1 x bouton-poussoir
  - . 1 x interrupteur 3 positions (2 à rappel + 1 permanent)
  - . 2 x interrupteurs 3 positions (3 permanents)
  - . 1 x interrupteur 3 positions (1 à rappel + 2 permanents)

(\*) *Brevet en instance.*

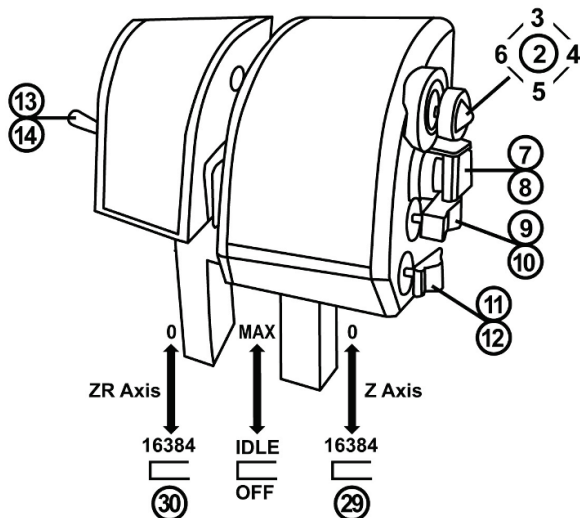
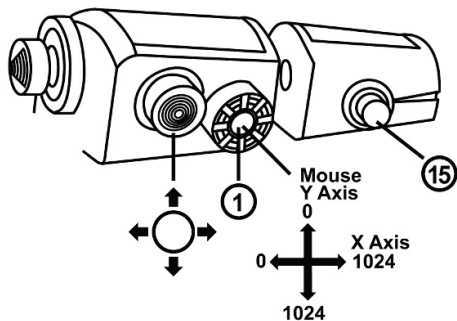
(\*\*) *HOTAS™ est une marque de Guillemot Corporation S.A.*

## CONFIGURATION DES BOUTONS ET DES AXES

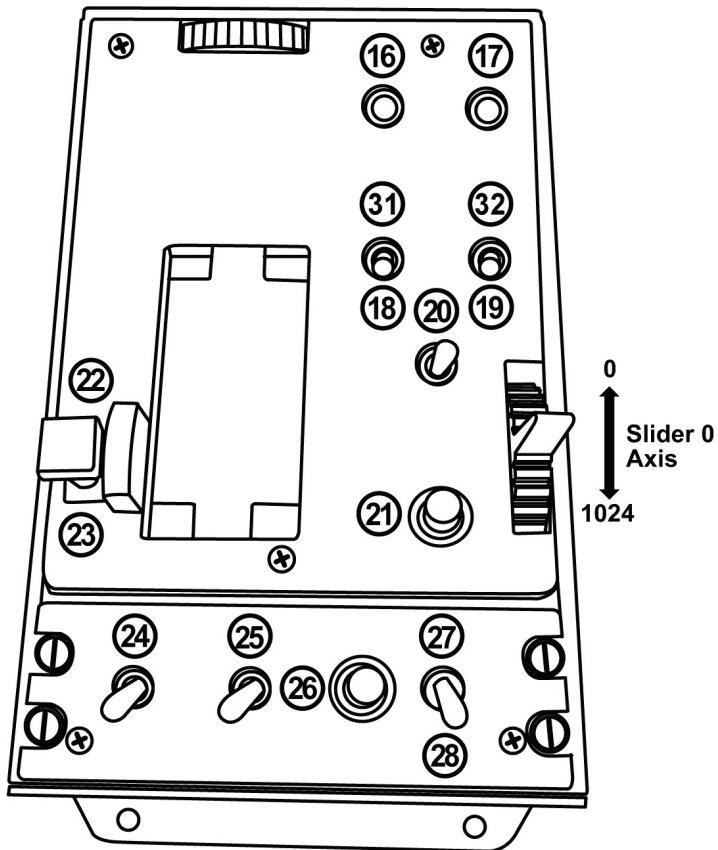
Sur le Joystick :



Sur les MANETTES DES GAZ (THROTTLE) :

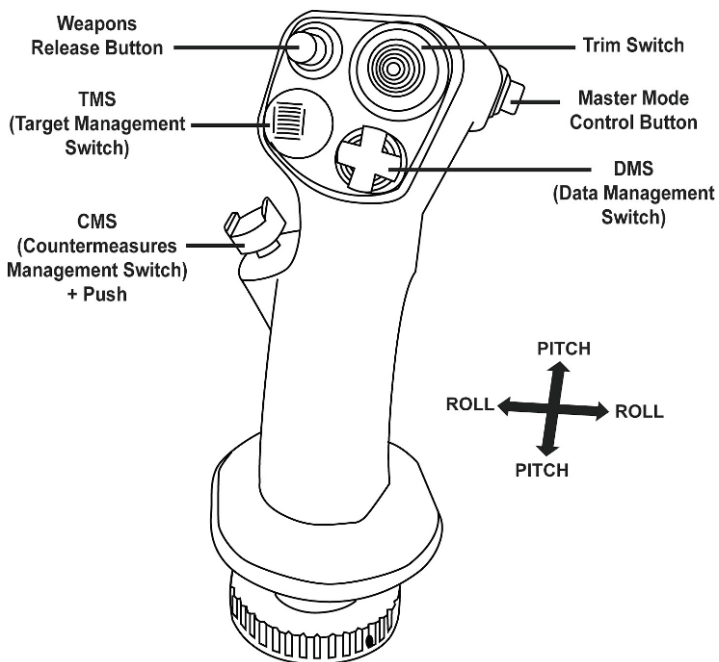


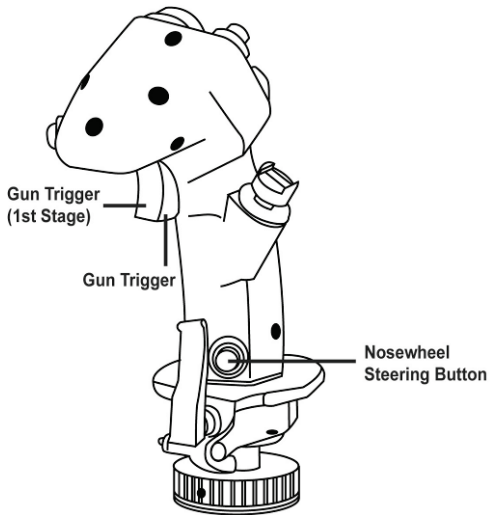
Sur le PANNEAU DE CONTRÔLE :



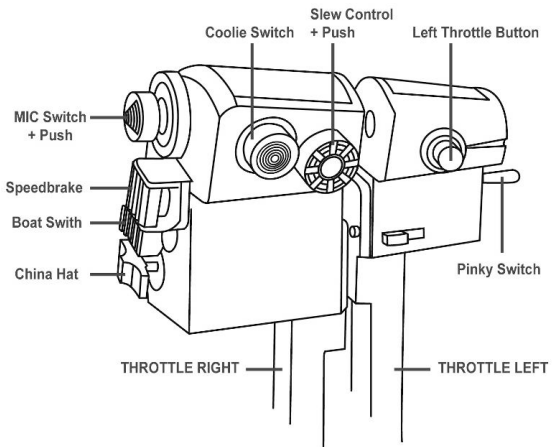
## FONCTIONNALITÉS SUR L'AVION « A-10C »

Sur le JOYSTICK :

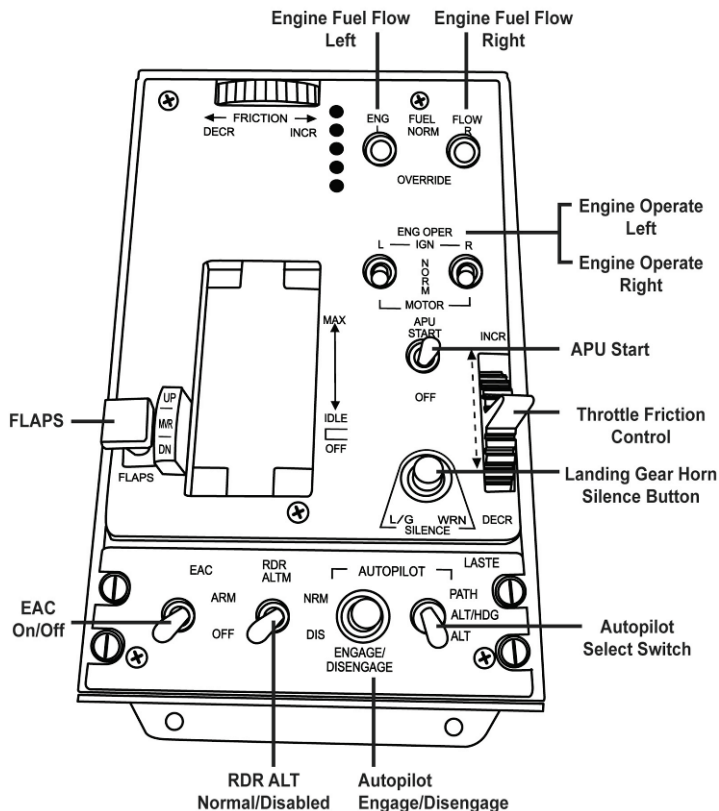




Sur les MANETTES DES GAZ (THROTTLE) :



Sur le PANNEAU DE CONTRÔLE :



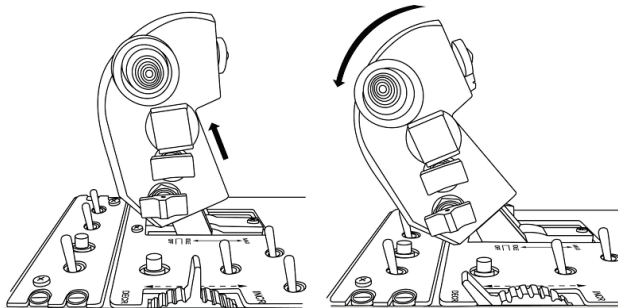


## DÉTENTE IDLE ET AFTERBURNER RÉALISTE

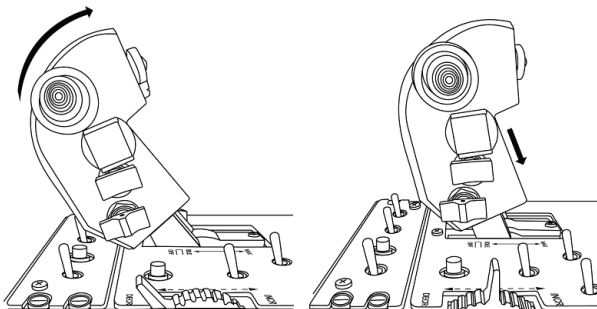
Les manettes des gaz du « Hotas Warthog » possèdent un système de détente IDLE et AFTERBURNER réaliste (système débrayable pour l'Afterburner).

### IDLE :

Après avoir positionné les manettes des gaz sur IDLE pour couper les moteurs de l'avion (dans les jeux compatibles), soulevez-les (afin de dépasser la butée), puis ramenez-les en position OFF.

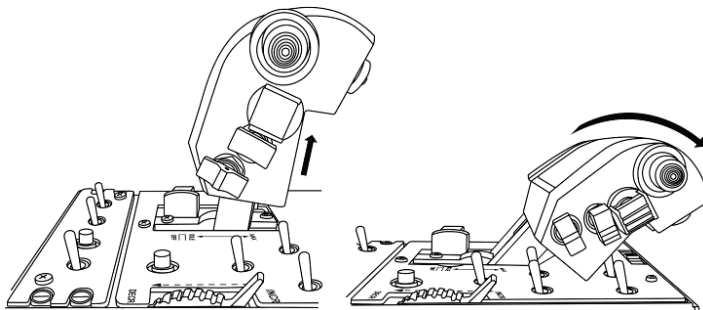


Pour rallumer les moteurs, poussez simplement les manettes des gaz jusqu'à la position IDLE.



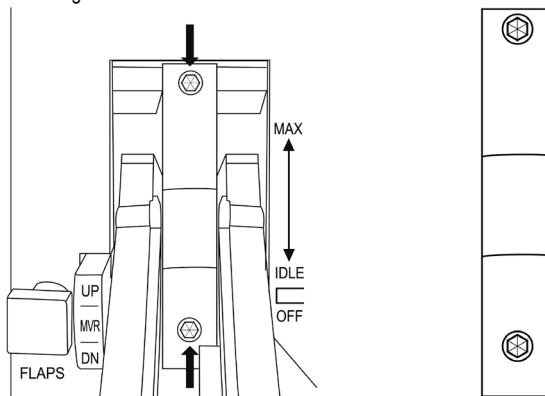
**AFTERBURNER:**

Lorsque la butée du module Afterburner est mise en place, soulevez les manettes des gaz (afin de dépasser la butée), puis poussez les.

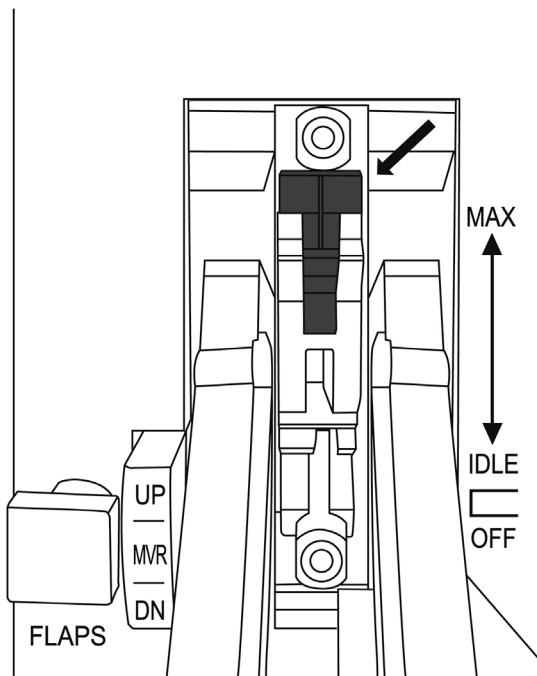
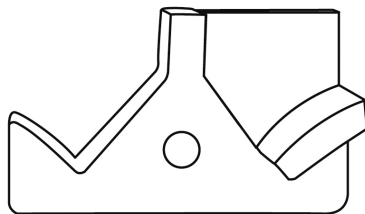
**INSTALLER / DÉINSTALLER LA BUTÉE AFTERBURNER :**

(Par défaut, la butée du module AFTERBURNER n'est pas installée).

- À l'aide de la clé Allen fournie, dévissez les 2 vis et retirez la barre amovible située entre les 2 manettes des gaz.

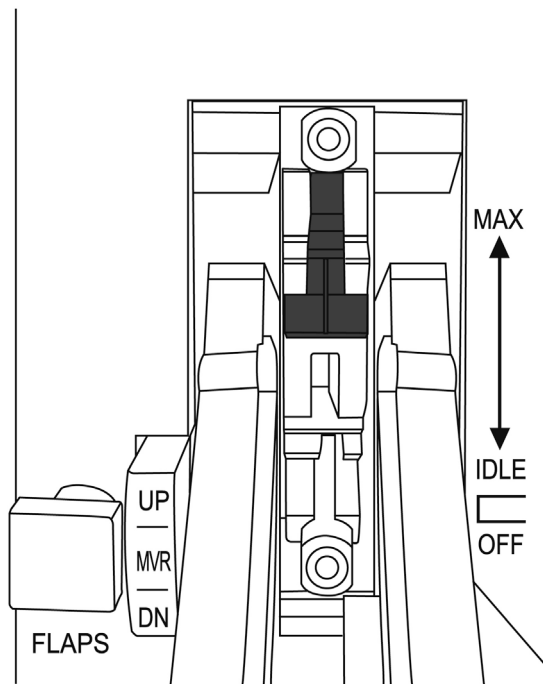


- Retirez le module Afterburner situé sous la barre amovible :



(dans cette position, la butée AFTERBURNER est désactivée)

- Retournez le module et repositionnez-le dans son emplacement :



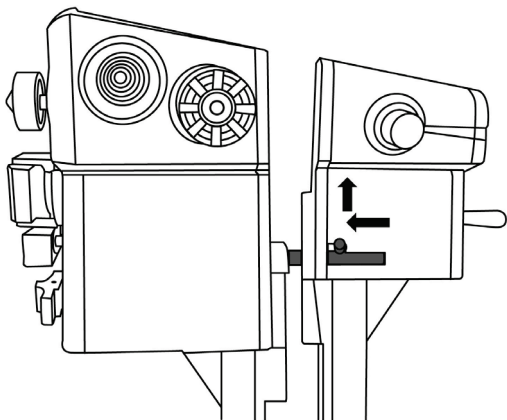
**(dans cette position, la butée AFTERBURNER est désormais activée)**

- Repositionnez la barre amovible entre les 2 manettes des gaz, puis revissez les 2 vis.

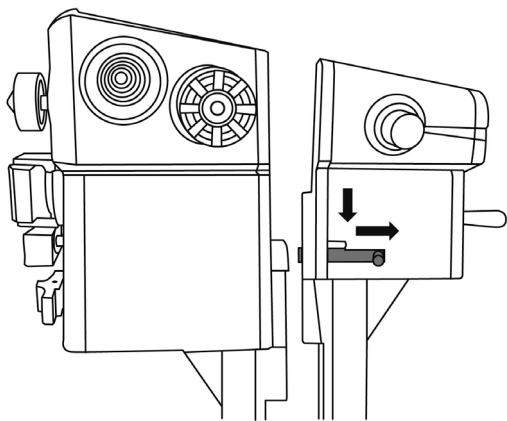
**IMPORTANT** : Afin de ne pas endommager le module Afterburner, ne jamais utiliser les manettes des gaz sans que la barre amovible ne soit préalablement vissée entre les 2 manettes.

## ATTACHER / SÉPARER LES 2 MANETTES DES GAZ

Pour solidariser les 2 manettes :



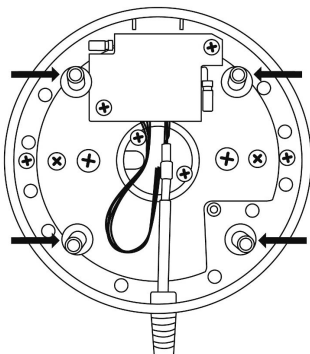
Pour désolidariser les 2 manettes :



## INSTALLATION DU JOYSTICK SUR UN COCKPIT OU AUTRE SUPPORT FIXE

Pour fixer le joystick dans un cockpit :

- Dévissez les 4 vis situées sous la plaque en métal du joystick
- Utilisez les 4 « pas de vis » prévus à cet effet pour fixer le manche directement sur votre support fixe.



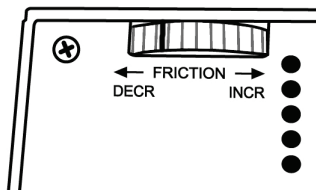
Vous pouvez également utiliser les 4 perforations situées dans les coins des plaques métal du joystick et des manettes des gaz pour fixer l'ensemble sur un support fixe.

## MOLETTE DE FRICTION DE LA DOUBLE MANETTE DES GAZ

- Pour augmenter la friction : tourner la molette vers la droite
- Pour diminuer la friction : tourner la molette vers la gauche

REMARQUES IMPORTANTES :

- La friction de la double manette des gaz est réglée par défaut au minimum.
- Afin de permettre un réglage précis selon votre convenance, une dizaine de tours complets sont nécessaires pour passer de la friction minimale à la friction maximale (et inversement).
- La marque blanche, située sur la molette, vous permettra de compter les tours, si nécessaire.



## RÉTROCOMPATIBILITÉ

Le nouveau manche du « Hotas Warthog » est rétro-compatible avec la base du « Hotas Cougar » (et inversement).

Seul le bouton-poussoir du CMS (bouton 19) ne sera pas fonctionnel, car non présent à l'origine sur le « Hotas Cougar ».

## RÉTRO-ÉCLAIRAGE DU PANNEAU DE CONTRÔLE

L'intensité du rétro-éclairage du panneau de contrôle pourra être ajustée directement via T.A.R.G.E.T (Thrustmaster Advanced pRogramming Graphical EdiTor). Cinq niveaux d'intensité sont disponibles : de 1 (intensité minimum) à 5 (intensité maximum), le niveau par défaut étant réglé sur 2.

## GESTION DES 5 LEDS PROGRAMMABLES

La gestion des 5 Leds programmables du panneau de contrôle s'effectuera directement via T.A.R.G.E.T (Thrustmaster Advanced pRogramming Graphical EdiTor).

## INFORMATIONS RELATIVES A LA GARANTIE AUX CONSOMMATEURS

Dans le monde entier, Guillemot Corporation S.A., ayant son siège social Place du Granier, B.P. 97143, 35571 Chantepie, France (ci-après « Guillemot ») garantit au consommateur que le présent produit Thrustmaster est exempt de défaut matériel et de vice de fabrication, et ce, pour une période de garantie qui correspond au délai pour intenter une action en conformité de ce produit. Dans les pays de l'Union Européenne, ce délai est de deux (2) ans à compter de la délivrance du produit Thrustmaster. Dans les autres pays, la durée de la période de garantie correspond au délai pour intenter une action en conformité du produit Thrustmaster selon la législation en vigueur dans le pays où le consommateur avait son domicile lors de l'achat du produit Thrustmaster (si une telle action en conformité n'existe pas dans ce pays alors la période de garantie est de un (1) an à compter de la date d'achat d'origine du produit Thrustmaster).

Si, au cours de la période de garantie, le produit semble défectueux, contactez immédiatement le Support Technique qui vous indiquera la procédure à suivre. Si le défaut est confirmé, le produit devra être retourné à son lieu d'achat (ou tout autre lieu indiqué par le Support Technique).

Dans le cadre de la garantie, le consommateur bénéficiera, au choix du Support Technique, d'un remplacement ou d'une remise en état de marche du produit défectueux. Si, pendant la période de garantie, le produit Thrustmaster fait l'objet d'une telle remise en état, toute période d'immobilisation d'au moins sept jours vient s'ajouter à la durée de la garantie qui restait à courir (cette période court à compter de la demande d'intervention du consommateur ou de la mise à disposition pour remise en état du produit en cause, si cette mise à disposition est postérieure à la demande d'intervention). Lorsque la loi applicable l'autorise, toute responsabilité de Guillemot et ses filiales (y compris pour les dommages indirects) se limite à la remise en état de marche ou au remplacement du produit Thrustmaster. Lorsque la loi applicable l'autorise, Guillemot exclut toutes garanties de qualité marchande ou d'adaptation à un usage particulier.

Cette garantie ne s'appliquera pas : (1) si le produit a été modifié, ouvert, altéré, ou a subi des dommages résultant d'une utilisation inappropriée ou abusive, d'une négligence, d'un accident, de l'usure normale, ou de toute autre cause non liée à un défaut matériel ou à un vice de fabrication (y compris, mais non limitativement, une combinaison du produit Thrustmaster avec tout élément inadapté, notamment alimentations électriques, batteries, chargeurs, ou tous autres éléments non-fournis par Guillemot pour ce produit) ; (2) si le produit a été utilisé en dehors du cadre privé, à des fins professionnelles ou commerciales (salles de jeu, formations, compétitions, par exemple). (3) en cas de non respect des instructions du Support Technique ; (4) aux logiciels, ledits logiciels faisant l'objet d'une garantie spécifique ; (5) aux consommables (éléments à remplacer pendant la durée de vie du produit : piles, coussinets de casque audio, par exemple) ; (6) aux accessoires (câbles, étuis, housses, sacs, dragonnes, par exemple) ; (7) si le produit a été vendu aux enchères publiques.

Cette garantie n'est pas transférable.

Les droits légaux du consommateur au titre de la législation applicable dans son pays à la vente de biens de consommation ne sont pas affectés par la présente garantie.

Par exemple, en France, indépendamment de la présente garantie, le vendeur reste tenu de la garantie légale de conformité mentionnée aux articles L. 217-4 à L.217-12 du code de la consommation et de celle relative aux défauts (vices cachés) de la chose vendue, dans les conditions prévues aux articles 1641 à 1648 et 2232 du code civil. La loi applicable (c'est-à-dire la loi française) impose de reproduire les extraits de la loi française suivants:

Article L. 217-4 du code de la consommation:

*Le vendeur livre un bien conforme au contrat et répond des défauts de conformité existant lors de la délivrance. Il répond également des défauts de conformité résultant de l'emballage, des instructions de montage ou de l'installation lorsque celle-ci a été mise à sa charge par le contrat ou a été réalisée sous sa responsabilité.*

Article L. 217-5 du code de la consommation:

*Le bien est conforme au contrat :*

*1° S'il est propre à l'usage habituellement attendu d'un bien semblable et, le cas échéant :*

*- s'il correspond à la description donnée par le vendeur et possède les qualités que celui-ci a présentées à l'acheteur sous forme d'échantillon ou de modèle ;*

*- s'il présente les qualités qu'un acheteur peut légitimement attendre eu égard aux déclarations publiques faites par le vendeur, par le producteur ou par son représentant, notamment dans la publicité ou l'étiquetage ;*

*2° Ou s'il présente les caractéristiques définies d'un commun accord par les parties ou est propre à tout usage spécial recherché par l'acheteur, porté à la connaissance du vendeur et que ce dernier a accepté.*

Article L. 217-12 du code de la consommation:

*L'action résultant du défaut de conformité se prescrit par deux ans à compter de la délivrance du bien.*

Article L. 217-16 du code de la consommation:

*Lorsque l'acheteur demande au vendeur, pendant le cours de la garantie commerciale qui lui a été consentie lors de l'acquisition ou de la réparation d'un bien meuble, une remise en état couverte par la garantie, toute période d'immobilisation d'au moins sept jours vient s'ajouter à la durée de la garantie qui restait à courir.*

*Cette période court à compter de la demande d'intervention de l'acheteur ou de la mise à disposition pour réparation du bien en cause, si cette mise à disposition est postérieure à la demande d'intervention.*

Article L. 1641 du code civil:

*Le vendeur est tenu de la garantie à raison des défauts cachés de la chose vendue qui la rendent impropre à l'usage auquel on la destine, ou qui diminuent tellement cet usage que l'acheteur ne l'aurait pas acquise, ou n'en aurait donné qu'un moindre prix, s'il les avait connus.*

Article L. 1648 alinéa 1<sup>er</sup> du code civil:

*L'action résultant des vices rédhibitoires doit être intentée par l'acquéreur dans un délai de deux ans à compter de la découverte du vice.*

### **Stipulations additionnelles à la garantie**

Pendant la période de garantie, Guillemot ne fournira, en principe, pas de pièce détachée car le Support Technique est seul habilité tant à ouvrir qu'à remettre en état tout produit Thrustmaster (à l'exception des remises en état que le Support Technique demanderait, par instructions écrites, au consommateur d'effectuer -par exemple en raison de la simplicité et de l'absence de confidentialité du processus de remise en état-, en lui fournissant, le cas échéant, la ou les pièces détachées nécessaires).

Compte tenu de ses cycles d'innovation et pour préserver ses savoir-faire et secrets, Guillemot ne fournira, en principe, ni notice de remise en état, ni pièce détachée pour tout produit Thrustmaster dont la période de garantie est expirée.

Aux États-Unis d'Amérique et au Canada, la présente garantie est limitée au mécanisme interne et au boîtier externe du produit. En aucun cas, Guillemot ou ses sociétés affiliées ne sauraient être tenues responsables envers qui que ce soit de tous dommages indirects ou dommages accessoires résultant du non respect des garanties expresses ou implicites. Certains États/Provinces n'autorisent pas la limitation sur la durée d'une garantie implicite, ou l'exclusion ou la limitation de responsabilité pour les dommages indirects ou accessoires, de sorte que les limitations ou exclusions ci-dessus peuvent ne pas vous être applicables. Cette garantie vous confère des droits spécifiques ; vous pouvez également bénéficier d'autres droits qui peuvent différer d'un État/Province à l'autre.

### **Responsabilité**

Lorsque la loi applicable l'autorise, Guillemot Corporation S.A. (ci-après « Guillemot ») et ses filiales excluent toute responsabilité pour tous dommages causés par un ou plusieurs des faits suivants: (1) le produit a été modifié, ouvert, altéré, (2) l'irrespect des instructions de montage, (3) l'utilisation inappropriée ou abusive, la



négligence, l'accident (un choc, par exemple), (4) l'usure normale du produit, (5) l'utilisation du produit en dehors du cadre privé, à des fins professionnelles ou commerciales (salles de jeu, formations, compétitions, par exemple). Lorsque la loi applicable l'autorise, Guillemot et ses filiales excluent toute responsabilité pour tout dommage dont la cause n'est pas liée à un défaut matériel ou à un vice de fabrication du produit (y compris, mais non limitativement, tout dommage causé directement ou indirectement par tout logiciel, ou par une combinaison du produit Thrustmaster avec tout élément inadapté, notamment alimentations électriques, batteries, chargeurs, ou tous autres éléments non-fournis par Guillemot pour ce produit).

#### **COPYRIGHT**

© 2017 Guillemot Corporation S.A. Tous droits réservés. Thrustmaster® est une marque déposée de Guillemot Corporation S.A. Windows® est une marque déposée de Microsoft Corporation aux Etats-Unis et/ou dans d'autres pays. Toutes les autres marques sont la propriété de leurs propriétaires respectifs. Illustrations non contractuelles. Le contenu, la conception et les spécifications sont susceptibles de changer sans préavis et de varier selon les pays. Fabriqué en Chine.



#### **RECOMMANDATION RELATIVE A LA PROTECTION DE L'ENVIRONNEMENT**

Dans l'Union Européenne : En fin de vie, ce produit ne doit pas être éliminé avec les déchets ménagers normaux mais déposé à un point de collecte des déchets d'équipements électriques et électroniques en vue de son recyclage.

Ceci est confirmé par le symbole figurant sur le produit, le manuel utilisateur ou l'emballage.

En fonction de leurs caractéristiques, les matériaux peuvent être recyclés. Par le recyclage et par les autres formes de valorisation des déchets d'équipements électriques et électroniques, vous contribuez de manière significative à la protection de l'environnement. Veuillez consulter les autorités locales qui vous indiqueront le point de collecte concerné.

Dans les autres pays : Veuillez vous reporter aux législations locales relatives au recyclage des équipements électriques et électroniques.

Informations à conserver. Les couleurs et décorations peuvent varier.

Il est recommandé de retirer les attaches en plastique et les adhésifs avant d'utiliser le produit.

Ce produit est en conformité avec l'ensemble des normes relatives aux enfants de plus de 16 ans. Il ne convient pas aux enfants de moins de 16 ans.

[www.thrustmaster.com](http://www.thrustmaster.com)

*\*Applicable à l'UE et la Turquie uniquement*



# **THRUSTMASTER®**

## **SUPPORT TECHNIQUE**

<http://support.thrustmaster.com>

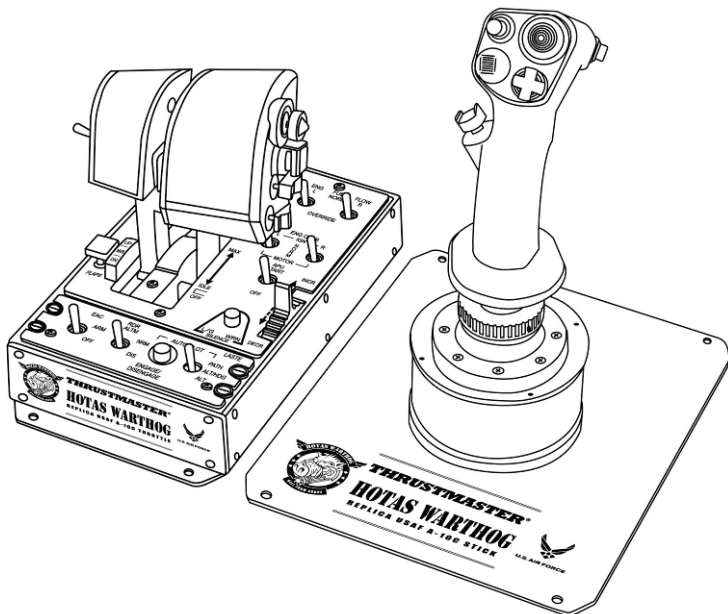


# HOTAS WARTHOG



Kompatibel: PC

Hardware-Benutzerhandbuch



## **U.S. Air Force A-10C Schlachtflugzeug HOTAS™(\*\*) (Hands On Throttle And Stick) Replik Joystick-Pack, mit:**

### **1 Replik-JOYSTICK**

- Innovative, neue H.E.A.R.T HallEffect AccuRate Technology(\*):
  - 3D Magnetsensoren (Hall Effect) am Stick
  - 16-bit Auflösung (65536 x 65536 Werte)
  - 5 Spiraldruckfedersystem(\*)
- USB-Anschluss mit erweiterungsfähiger Firmware
- Superstabile, gewichtete Basis (über 3 kg)
- Neuer abnehmbarer Griff, komplett aus Metall gefertigt:
  - ebenso mit dem HOTAS COUGAR™ Griff kompatibel (und umgekehrt)
  - neue Replikform
  - abnehmbare Metallplatte für Gebrauch im Tisch- oder Cockpitstil
  - neuer, realistischer Druck bei Buttons und Triggern
  - 19 Actionbuttons insgesamt + einen achteckigen "Ansichtsperspektiven-Kopfschalter":
    - . 1 x achteckigen "Ansichtsperspektiven-Kopfschalter"
    - . 2 x Achteck-Kopfschalter
    - . 1 x Vierwege-Kopfschalter mit Druckbutton
    - . 1 x Doppeltrigger aus Metall
    - . 2 x Druckbuttons
    - . 2 x Druckbuttons für den kleinen Finger

### **1 Replik-BEDIENUNGSEINHEIT**

- Gewichtete Basis (über 3,5 kg), eingearbeitet unterhalb der Gashebel
- Beleuchtungsfunktionen
- 5 programmierbare LEDs
- Realistischer Druck bei Buttons und Schaltern
- 15 Actionbuttons insgesamt + 1 TRIM-Rad:
  - . 1 x TRIM-Rad
  - . 2 x Druckbuttons
  - . 5 x Zweifach-Positionsschalter (2 permanent)
  - . 2 x Dreifach-Positionsschalter (1 momentan + 2 permanent)
  - . 2 x Dreifach-Positionsschalter (3 permanent)

## Zwei Replik-GASHEBEL

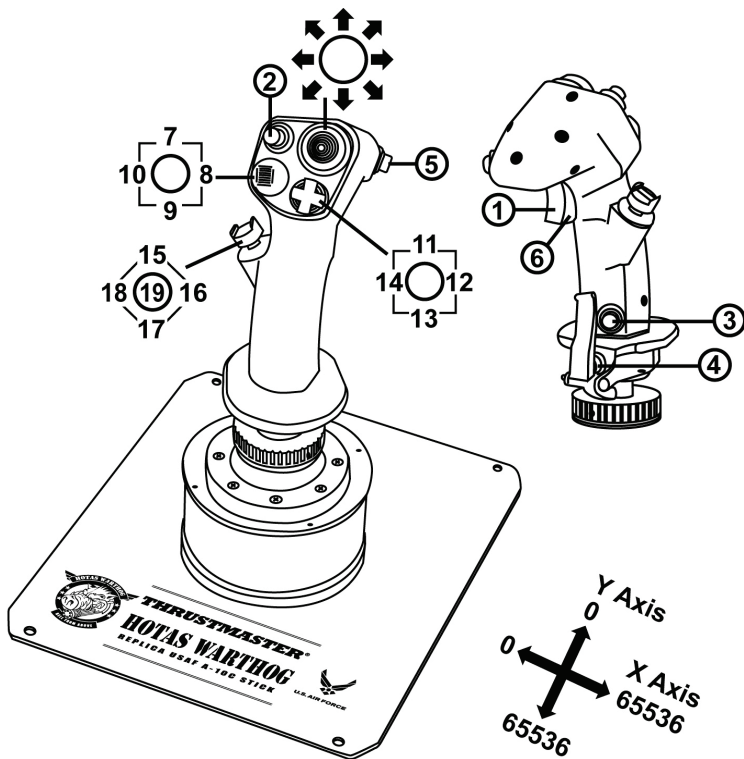
- Innovative, neue H.E.A.R.T HallEffect AccuRate Technology(\*):
  - 3D Magnetsensoren (Hall Effect) an den beiden Gashebeln
  - 14-bit Auflösung (16384 Werte) an jeden Gashebel
- USB-Anschluss mit erweiterungsfähiger USB Firmware
- Zwei Gashebel mit:
  - Handauflage aus Metall
  - Schließsystem
  - einstellbares Spannungssystem
  - realistische IDLE Arretierung mit "Pull & Push"(\*) System
  - realistische und abschaltbare AFTERBURNER Arretierung mit "Pull & Push"(\*) System
  - realistischer Druck bei Buttons und Schaltern
  - 17 Actionbuttons insgesamt + 1 Maus-Kopfschalter mit Druckbutton + einen achteckigen "Ansichtsperspektiven-Kopfschalter":
    - . 1 x Maus-Kopfschalter mit Druckbutton und 3D Magnetsensor (Hall Effect)
    - . 1 x Achteck-Kopfschalter
    - . 1 x Vierwege-Kopfschalter mit Druckbutton
    - . 1 x Druckbutton
    - . 1 x Dreifach-Positionsschalter (2 momentan + 1 permanent)
    - . 2 x Dreifach-Positionsschalter (3 permanent)
    - . 1 x Dreifach-Positionsschalter (1 momentan + 2 permanent)

(\*) Patent angemeldet.

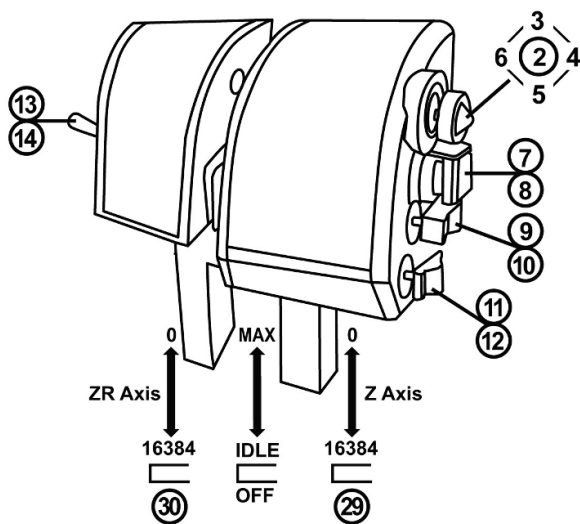
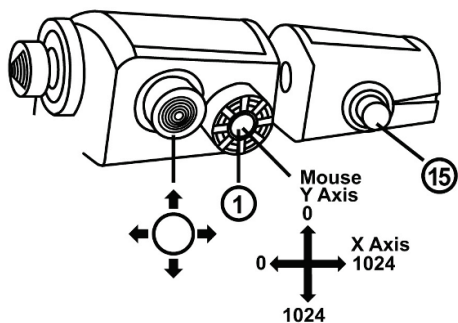
(\*\*) HOTAS™ ist ein Markenzeichen von Guillemot Corporation S.A.

# KONFIGURATION DER BUTTONS UND ACHSEN

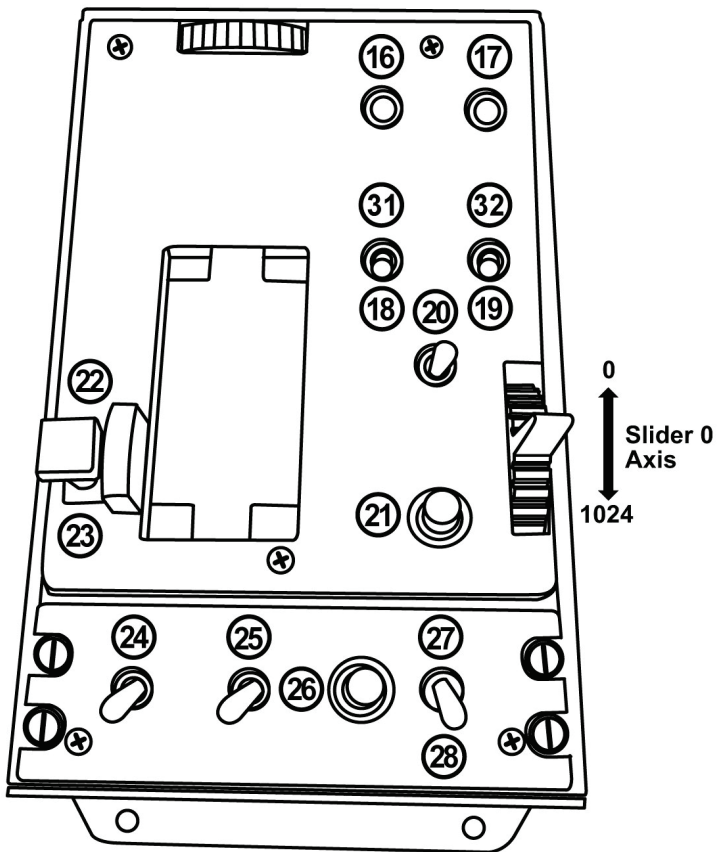
Am JOYSTICK:



Am GASHEBEL:

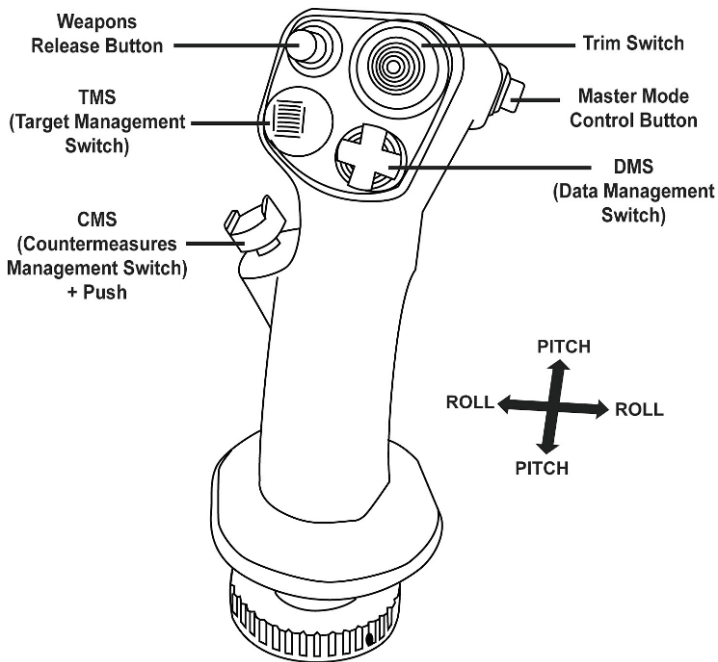


Auf der BEDIENUNGSEINHEIT:

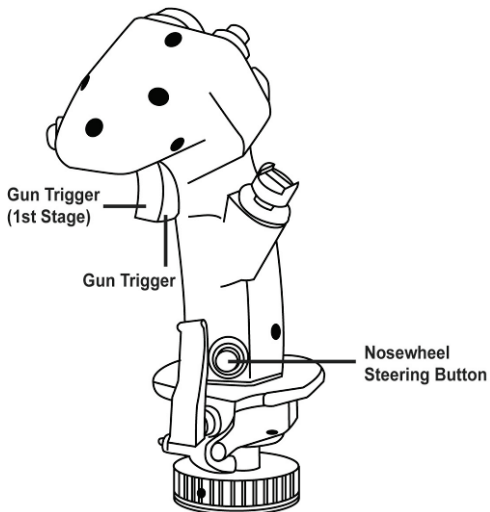


## “A-10C” FLUGZEUGFUNKTIONEN

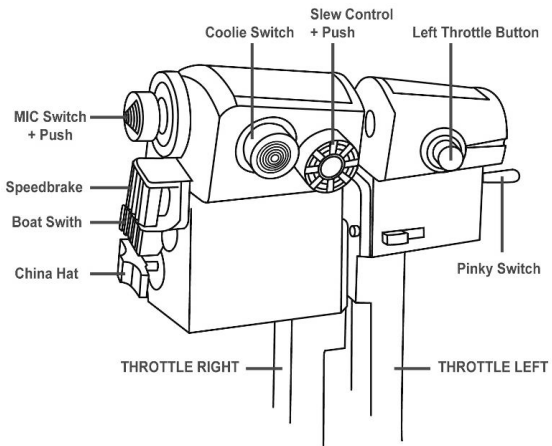
Am JOYSTICK:



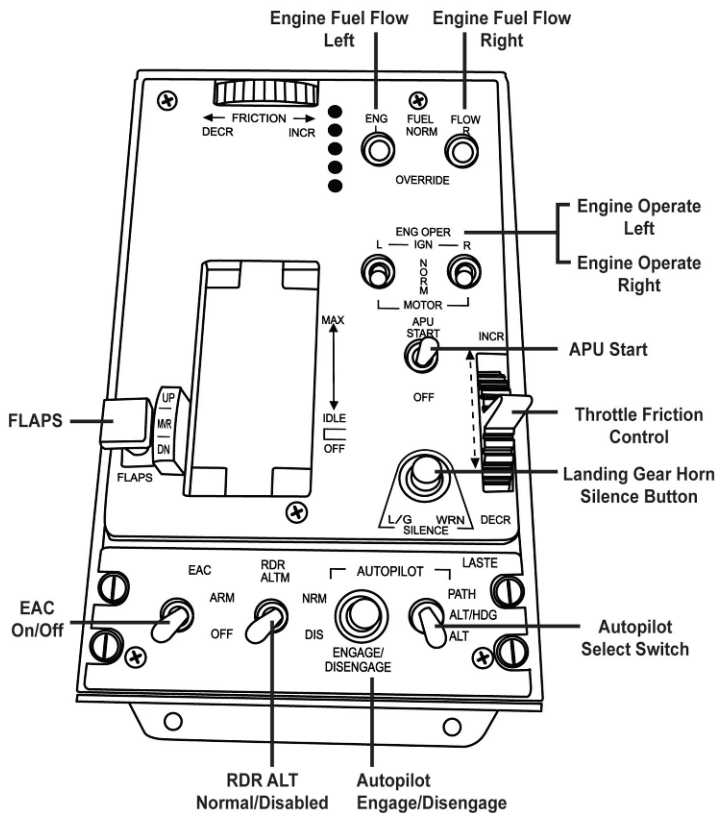




Am GASHEBEL:



Auf der BEDIENUNGSEINHEIT:

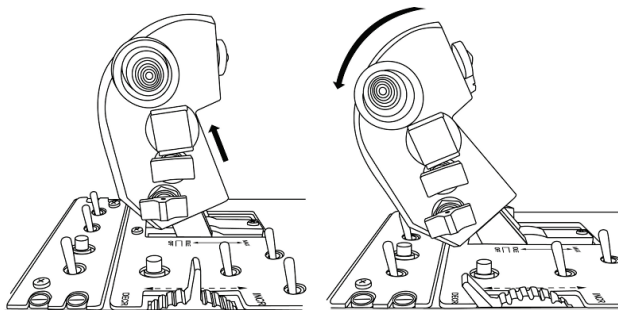


## REALISTISCHE IDLE- UND AFTERBURNER-ARRETIERUNG

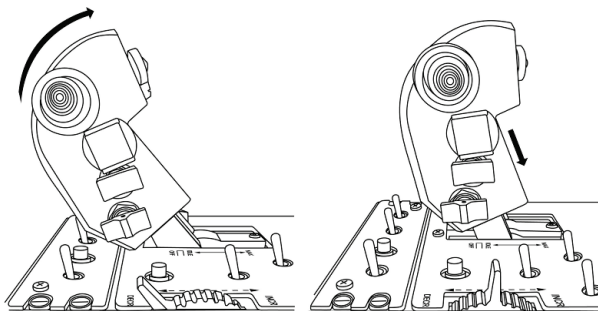
Die Gashebel des HOTAS Warthogs verfügen über ein realistisches System zur IDLE- (LEERLAUF-) und AFTERBURNER- (NACHBRENNER-) Arretierung (das AFTERBURNER-System ist abschaltbar).

### IDLE:

Wenn auf IDLE gesetzt: Um die Motoren des Flugzeugs abzustellen (in kompatiblen Spielen), heben Sie die Gashebel etwas an (um über Stop zu kommen) und stellen die Gashebel auf die OFF-Position.

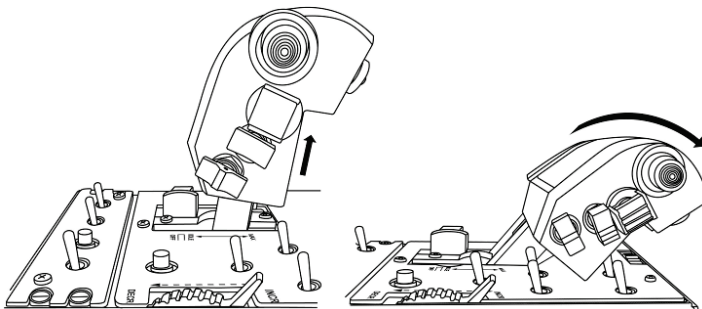


Um die Motoren wieder zu starten, drücken Sie die Gashebel nach vorne (und etwas nach unten) in die IDLE-Position.



## AFTERBURNER:

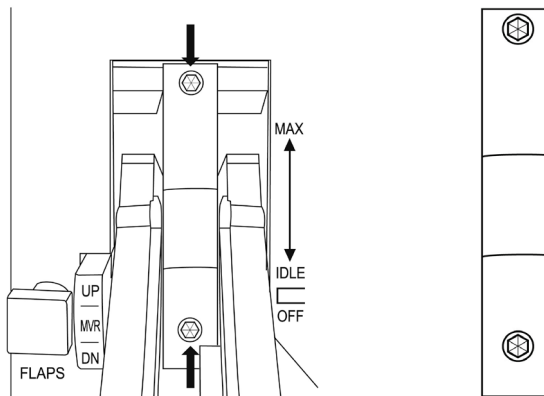
Wenn das AFTERBURNER-Stopmodul etabliert ist, heben Sie die Gashebel etwas an (um über Stop zu kommen) und drücken diese nach vorne.



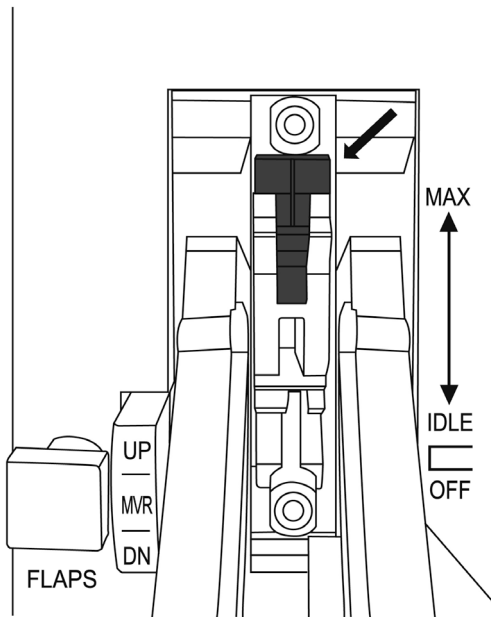
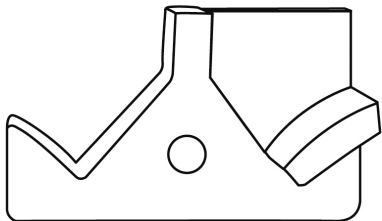
## MONTIEREN/DEMONTIEREN DES AFTERBURNER-STOPS:

*(Werksseitig ist das AFTERBURNER-Stopmodul nicht montiert).*

- Benutzen Sie den beigelegten Inbusschlüssel, um die beiden Schrauben, wie untenstehend gezeigt, zu lösen und entfernen den herausnehmbaren Riegel zwischen den beiden Gashebeln.

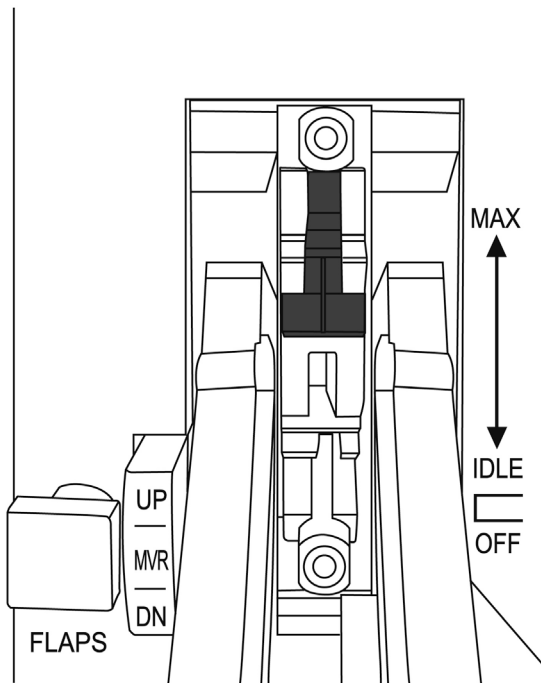


- Herausnehmen des AFTERBURNER-Moduls, zu finden unter dem herausnehmbaren Riegel:



**(In dieser Position ist der AFTERBURNER-Stop deaktiviert)**

- Drehen Sie das Modul um und stecken dieses wieder an seinen Platz:



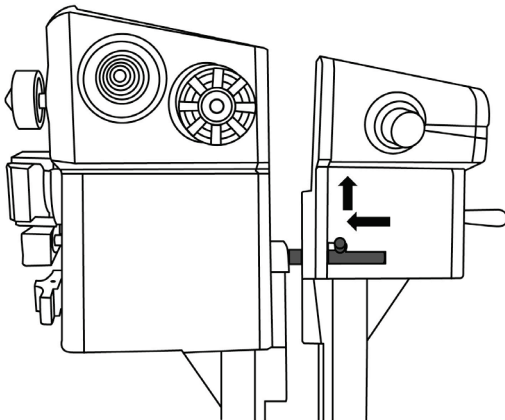
(In dieser Position ist der AFTERBURNER-Stop nun aktiviert)

- Stecken Sie den herausnehmbaren Riegel wieder zwischen die beiden Gashebel und drehen die beiden Schrauben fest.

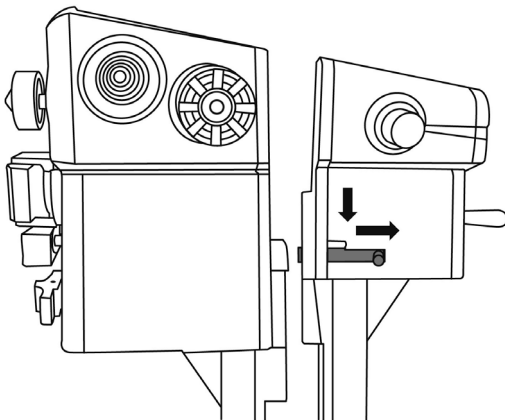
**WICHTIGE ANMERKUNG:** Um eine mögliche Beschädigung des AFTERBURNER-Moduls zu vermeiden, sollten Sie die Gashebel nicht ohne den ordnungsgemäß installierten Riegel (mittels der beiden Schrauben) zwischen den beiden Gashebeln benutzen.

## ZUSAMMENFÜGEN/SEPARIEREN DER BEIDEN GASHEBEL

Um die beiden Gashebel zusammenzufügen:



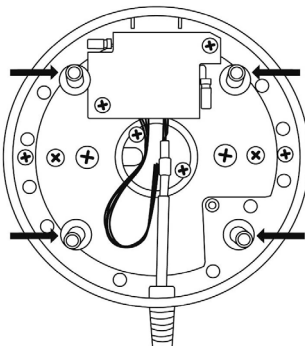
Um die beiden Gashebel voneinander zu separieren:



## EINBAU DES JOYSTICKS IN EIN COCKPIT ODER AUF EINER ANDEREN HALTERUNG

Um den Joystick in ein Cockpit einzubauen:

- Lösen Sie die vier Schrauben unter der Metallbasis des Joysticks und entfernen die metallene Basisplatte.
- Nutzen Sie die vier Schraubgewinde unten am Joystick, um diesen auf Ihre Halterung zu montieren.



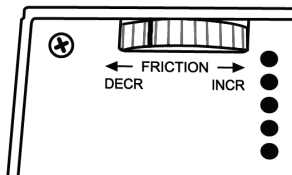
Sie können die vier Löcher in den Ecken der metallenen Basisplatten des Joysticks und des Gashebels dazu benutzen, beide Elemente auf eine Halterung zu montieren.

## EINSTELLBARES GASHEBEL-SPANNUNGSSYSTEM

- Um die Spannung anzuheben: Drehen Sie das Rad nach rechts.
- Um die Spannung abzusenken: Drehen Sie das Rad nach links.

WICHTIGE ANMERKUNGEN:

- Die Spannung der beiden Gashebel ist werksseitig auf den geringsten Wert eingestellt.
- Um eine präzise Einstellung nach Ihrem Gusto zu ermöglichen, müssen ungefähr zehn volle Drehungen ausgeführt werden, um von minimaler auf maximale Spannung zu gehen.
- Sie können die weiße Markierung auf dem Rad dazu nutzen, um Ihre Drehungen gegebenenfalls zu zählen.





## **ABWÄRTSKOMPATIBILITÄT**

Der neue "HOTAS Warthog-" Griff ist abwärtskompatibel mit der Basis des "HOTAS Cougar" (und umgekehrt).

Nur der CMS Druckbutton (Button 19) funktioniert nicht, da dieser ursprünglich nicht auf dem HOTAS Cougar vorhanden ist.

## **BELEUCHTUNG BEDIENUNGSEINHEIT**

Die Intensität der Hintergrundbeleuchtung der Bedieneinheit kann direkt via T.A.R.G.E.T (Thrustmaster Advanced pROgramming Graphical EdiTOR) eingestellt werden. Es sind fünf verschiedene Intensitätsstufen verfügbar: Von 1 (minimale Intensität) bis 5 (maximale Intensität), werksseitig ist Stufe 2 voreingestellt.

## **HANDHABUNG DER 5 PROGRAMMIERBAREN LEDS**

Sie können die 5 programmierbaren LEDs der Bedieneinheit direkt via T.A.R.G.E.T. (Thrustmaster Advanced pROgramming Graphical EdiTOR) managen.

## **Kunden-Garantie-Information**

Guillemot Corporation S.A. mit Hauptfirmensitz in Place du Granier, B.P. 97143, 35571 Chantepie, France (fortfolgend "Guillemot") garantiert Kunden weltweit, daß dieses Thrustmaster Produkt frei von Mängeln in Material und Verarbeitung für eine Gewährleistungsfrist ist, die mit der Frist für eine Mängelrüge bezüglich des Produktes übereinstimmt. In den Ländern der Europäischen Union entspricht diese einem Zeitraum von zwei (2) Jahren ab Kaufdatum des Thrustmaster Produktes. In anderen Ländern entspricht die Gewährleistungsfrist der zeitlichen Begrenzung für eine Mängelrüge bezüglich des Thrustmaster Produktes in Übereinstimmung mit anwendbarem Recht des Landes, in dem der Kunde zum Zeitpunkt des Erwerbs eines Thrustmaster Produktes wohnhaft ist. Sollte eine entsprechende Regelung in dem entsprechenden Land nicht existieren, umfasst die Gewährleistungspflicht einen Zeitraum von einem (1) Jahr ab dem originären Kaufdatum des Thrustmaster Produktes.

Ungeachtet dessen werden wiederaufladbare Batterien (fortfolgend "Akkus") durch eine Gewährleistungsfrist von sechs (6) Monaten ab dem Kaufdatum abgedeckt.

Sollten bei dem Produkt innerhalb der Gewährleistungsfrist Defekte auftreten, kontaktieren Sie unverzüglich den technischen Kundendienst, der die weitere Vorgehensweise anzeigt. Wurde der Defekt bestätigt, muß das Produkt an die Verkaufsstelle (oder an eine andere Stelle, je nach Maßgabe des technischen Kundendienstes) retourniert werden.

Im Rahmen dieser Garantie sollte das defekte Produkt des Kunden, je nach Entscheidung des technischen Kundendienstes, entweder ausgetauscht oder repariert werden. Sollte während der Garantiezeit das Thrustmaster Produkt einer derartigen Instandsetzung unterliegen und das Produkt während eines Zeitraums von mindestens sieben (7) Tagen nicht benutzbar sein, wird diese Zeit der restlichen Garantiezeit hinzugefügt. Diese Frist läuft ab dem Zeitpunkt, an dem der Wunsch des Verbrauchers bezüglich einer Intervention vorliegt oder ab dem Tag, an dem das fragliche Produkt zur Instandsetzung zur Verfügung steht, falls das Datum, an dem das Produkt zur Instandsetzung zur Verfügung steht, dem Datum des Antrags auf Intervention nachfolgt. Wenn nach geltendem Recht zulässig, beschränkt sich die volle Haftung von Guillemot und ihrer Tochtergesellschaften auf die Reparatur oder den Austausch des Thrustmaster Produktes (inklusive Folgeschäden). Wenn nach geltendem Recht zulässig, lehnt Guillemot alle Gewährleistungen der Marktgängigkeit oder Eignung für einen bestimmten Zweck ab.

Der Gewährleistungsanspruch verfällt: (1) Falls das Produkt modifiziert, geöffnet, verändert oder ein Schaden durch unsachgemäßen oder missbräuchlichen Gebrauch hervorgerufen wurde, sowie durch Fahrlässigkeit, einen Unfall, Verschleiß oder irgendeinem anderen Grund – aber nicht durch Material- oder Herstellungsfehler (einschließlich, aber nicht beschränkt auf, die Kombination der Thrustmaster Produkte mit ungeeigneten Elementen, insbesondere Netzteile, Akkus, Ladegeräte, oder andere Elemente, die von Guillemot für dieses Produkt nicht mitgeliefert wurden); (2) Falls das Produkt für eine andere Nutzung als zum privaten Hausgebrauch, einschließlich für professionelle oder kommerzielle Zwecke (z. B. Spielhallen, Training, Wettkämpfe) verwendet wird; (3) Im Falle der Nichteinhaltung der durch den technischen Support erteilten Anweisungen; (4) Durch Software. Die besagte Software ist Gegenstand einer speziellen Garantie; (5) Bei Verbrauchsmaterialien (Elemente, die während der Produktlebensdauer ausgetauscht werden, wie z. B. Einwegbatterien, Ohrpolster für ein Audioheadset oder für Kopfhörer); (6) Bei Accessoires (z. B. Kabel, Etais, Taschen, Beutel, Handgelenk-Riemen); (7) Falls das Produkt in einer öffentlichen Versteigerung verkauft wurde.

Diese Garantie ist nicht übertragbar.

Die Rechte des Kunden in Übereinstimmung mit anwendbarem Recht bezüglich des Verkaufs auf Konsumgüter im Land der/der Kunden/Kundin wird durch diese Garantie nicht beeinträchtigt.

### Zusätzliche Gewährleistungsbestimmungen

Während der Garantiezeit bietet Guillemot grundsätzlich keine Ersatzteile an, da der technische Kundendienst der einzige autorisierte Partner zum Öffnen und/oder Instandsetzen jedweden Thrustmaster-Produkts ist (mit Ausnahme von irgendwelchen Instandsetzungsverfahren, die der Kunde nach Maßgabe des technischen Kundendienstes und durch schriftliche Instruktionen sowie der Zurverfügungstellung des/der eventuell erforderlichen Ersatzteil(s)(e) selbst in der Lage ist durchzuführen – zum Beispiel aufgrund der Einfachheit und einer nicht erforderlichen Geheimhaltung des Instandsetzungsverfahrens).

Aufgrund seiner Innovationszyklen und um sein Know-how und seine Geschäftsgeheimnisse zu schützen, bietet Guillemot grundsätzlich keine Instandsetzungs-Benachrichtigung oder Ersatzteile für alle Thrustmaster Produkte an, deren Garantiezeit abgelaufen ist.

In den Vereinigten Staaten von Amerika und in Kanada ist diese Gewährleistung auf den internen Mechanismus und das externe Gehäuse beschränkt. Auf keinen Fall haftet Guillemot oder ihre Tochtergesellschaften gegenüber Dritten für etwaige Folgeschäden oder mittelbare Schäden, die aus der Nichteinhaltung der ausdrücklichen oder stillschweigenden Gewährleistung resultieren. Einige Staaten/Provinzen erlauben keine Begrenzung der impliziten Garantie oder einen Ausschluss oder die Beschränkung der Haftung für Folgeschäden oder mittelbare Schäden, so dass die oben genannten Einschränkungen oder Ausschlüsse möglicherweise nicht auf Sie zutreffen.

Diese Garantie gibt Ihnen bestimmte Rechte, und Sie haben möglicherweise auch andere Rechte, die von Staat zu Staat oder Provinz zu Provinz unterschiedlich sein können.

### Haftung

Wenn nach dem anwendbaren Recht zulässig, lehnen Guillemot Corporation S.A. (fortfolgend "Guillemot") und ihre Tochtergesellschaften jegliche Haftung für Schäden, die auf eine oder mehrere der folgenden Ursachen zurückzuführen sind, ab: (1) das Produkt wurde modifiziert, geöffnet oder geändert; (2) Nichtbefolgung der Montageanleitung; (3) unangebrachte Nutzung, Fahrlässigkeit, Unfall (z. B. ein Aufprall); (4) normalem Verschleiß; (5) Die Verwendung des Produkts für jedwede andere Nutzung als zum privaten Hausgebrauch, einschließlich professionelle oder kommerzielle Zwecke (z. B. Spielhallen, Training, Wettkämpfe). Wenn nach anwendbarem Recht zulässig, lehnen Guillemot und seine Niederlassungen jegliche Haftung für Schäden, die nicht auf einen Material- oder Herstellungsfehler in Bezug auf das Produkt beruhen (einschließlich, aber nicht beschränkt auf, etwaige Schäden, die direkt oder indirekt durch Software oder durch die Kombination der Thrustmaster Produkte mit ungeeigneten Elementen, insbesondere Netzteile, Akkus, Ladegeräte, oder andere Elemente, die von Guillemot für dieses Produkt nicht geliefert wurden), ab.

## COPYRIGHT

© Guillemot Corporation S.A. 2017. Alle Rechte vorbehalten. Thrustmaster® ist ein eingetragenes Warenzeichen der Guillemot Corporation S.A. Windows® ist eine eingetragene Warenzeichen der Microsoft Corporation in den Vereinigten Staaten von Amerika und/oder anderen Ländern. Alle anderen Handelsmarken sind im Besitz Ihrer jeweiligen Eigentümer. Illustrationen nicht verbindlich. Inhalte, Design und Spezifikationen können ohne vorherige Ankündigung geändert werden und können von Land zu Land unterschiedlich sein. Hergestellt in China.

## Hinweise zum Umweltschutz



In der Europäischen Union: Dieses Produkt darf nach Ende seiner Lebensdauer nicht über den Hausmüll entsorgt werden, sondern muss an einem Sammelpunkt für das Recycling von elektrischen und elektronischen Geräten abgegeben werden.

Das Symbol auf dem Produkt, der Gebrauchsanleitung oder der Verpackung weist darauf hin.

Die Werkstoffe sind gemäß ihrer Kennzeichnung wiederverwertbar. Mit der Wiederverwertung, der stofflichen Verwertung oder anderen Formen von Altgeräten leisten

Sie einen wichtigen Beitrag zum Schutz unserer Umwelt. Bitte erfragen Sie bei der Gemeindeverwaltung die zuständige Entsorgungsstelle.

Für alle anderen Länder: Bitte beachten Sie die lokalen Entsorgungsrichtlinien/-Gesetze bezüglich elektrischen und elektronischen Equipments.

Wichtige Informationen. Die Farben und Verzierungen können abweichen.

Plastikhalterungen und Aufkleber bitte vor der Nutzung des Produktes entfernen.

Dieses Produkt stimmt mit allen Standards, die Kinder ab 16 und älter betreffen, überein. Dieses Produkt ist nicht geeignet für den Gebrauch von Kindern, die jünger als 16 Jahre sind.

[www.thrustmaster.com](http://www.thrustmaster.com)

*\*Nur in der EU und der Türkei anwendbar*



**THRUSTMASTER®**

**TECHNISCHER SUPPORT**

<http://support.thrustmaster.com>

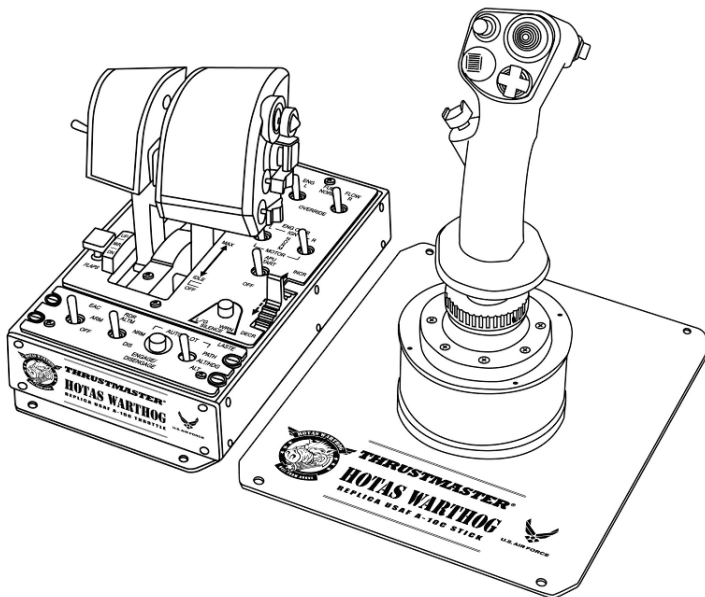


# HOTAS WARTHOG



Compatibel met: pc

Hardwarehandleiding



ENGLISH

Français

DEUTSCH

NEDERLANDS

ITALIANO

ESPAÑOL

PORTUGUÊS

РУССКИЙ

## **U.S. Air Force A-10C aanvalstoestel HOTAS™(\*\*) (Hands On Throttle And Stick) replica-joystick-bundel, met de volgende inhoud:**

### **1 Replica-JOYSTICK**

- Innovatieve nieuwe H.E.A.R.T HallEffect AccuRate Technology(\*):
  - 3D magnetische sensoren (Hall Effect) op de stick
  - 16-bits resolutie (65536 x 65536 waarden)
  - 5-springveersysteem(\*)
- USB-aansluiting met up te graden firmware
- Superstabiele verzwaarde voet (> 3 kg)
- Nieuwe afneembare handgreep, volledig van metaal gemaakt:
  - ook compatibel met HOTAS COUGAR-handgreep (en andersom)
  - nieuwe replicavorm
  - afneembare metalen plaat voor gebruik op desktop of in cockpit
  - nieuw: realistische drukkracht op knoppen en trigger
  - 19 actieknoppen in totaal + een 8-richtingen "point of view"-hat-knop:
    - . 1 x 8-richtingen "point of view"-hat
    - . 2 x 8-richtingen hats
    - . 1 x 4-richtingen hat met drukknop
    - . 1 x dubbele trigger van metaal
    - . 2 x drukknoppen
    - . 2 x drukknoppen voor pinkbediening

### **1 Replica-CONTROLEPANEEL**

- Verzwaarde voet (> 3,5 kg) onder de throttles
- Met verlichte functies
- 5 programmeerbare LED's
- Realistische drukkracht op knoppen en schakelaars
- 15 actieknoppen in totaal + 1 TRIM-wiel:
  - . 1 x TRIM-wiel
  - . 2 x drukknoppen
  - . 5 x 2-standen schakelaar (2 permanent)
  - . 2 x 3-standen schakelaar (1 moment + 2 permanent)
  - . 2 x 3-standen schakelaar (3 permanent)

## **DUBBELE Replica-THROTTLES**

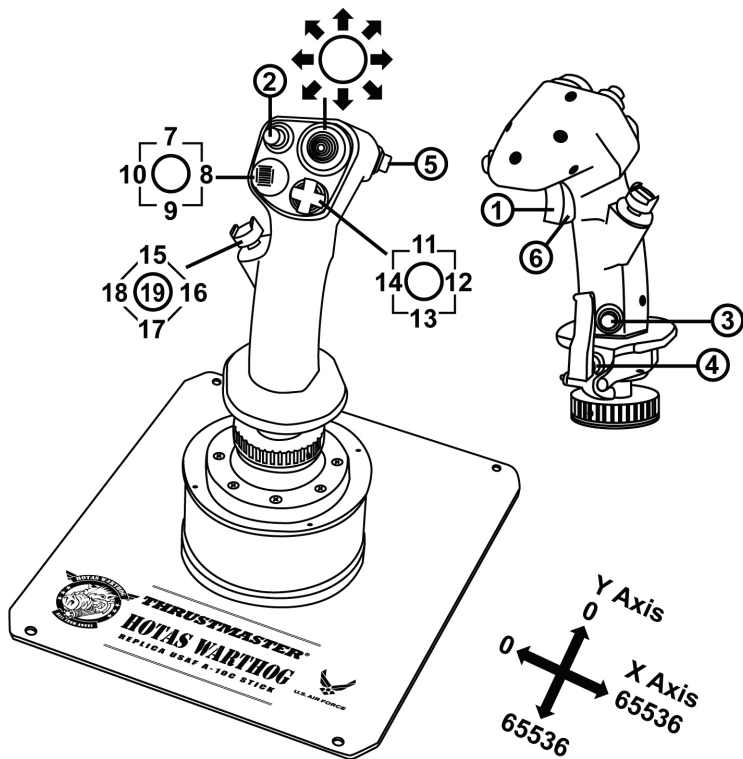
- Innovatieve nieuwe H.E.A.R.T HallEffect AccuRate Technology(\*):
  - 3D magnetische sensoren (Hall Effect) op de 2 throttles
  - 14-bits resolutie (16384 waarden) op elke throttle
- USB-aansluiting met up te graden firmware
- Dubbele throttles, met:
  - metalen handsteun
  - vergrendelingsstelsel
  - instelbaar frictiesysteem
  - realistische IDLE-positie met "Pull & Push"(\*)-stelsel
  - realistische en uitschakelbare AFTERBURNER-positie met "Pull & Push"(\*)-stelsel
  - realistische drukkracht op knoppen en schakelaars
  - 17 actieknoppen in totaal + 1 muis-hat-knop met drukknop + een 8-richtingen "point of view"-hat-knop:
    - . 1 x muis-hat met drukknop en 3D magnetische sensor (Hall Effect)
    - . 1 x 8-richtingen hat
    - . 1 x 4-richtingen hat met drukknop
    - . 1 x drukknop
    - . 1 x 3-standen schakelaar (2 moment + 1 permanent)
    - . 2 x 3-standen schakelaar (3 permanent)
    - . 1 x 3-standen schakelaar (1 moment + 2 permanent)

(\*) *Patent aangevraagd.*

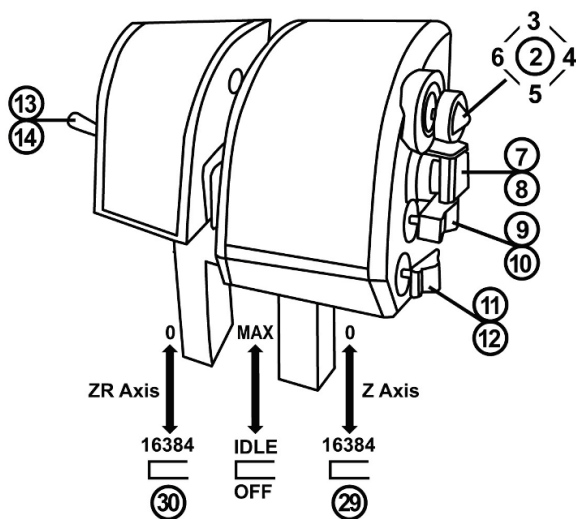
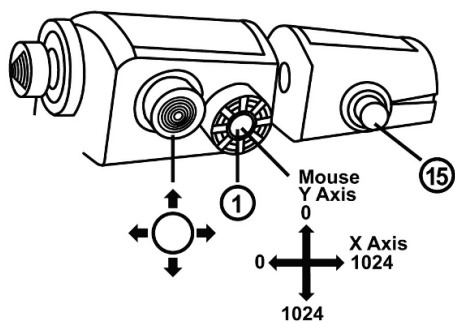
(\*\*) *HOTAS™ is een handelsmerk van Guillemot Corporation S.A.*

## CONFIGURATIE VAN KNOPPEN EN ASSEN

Op de JOYSTICK:

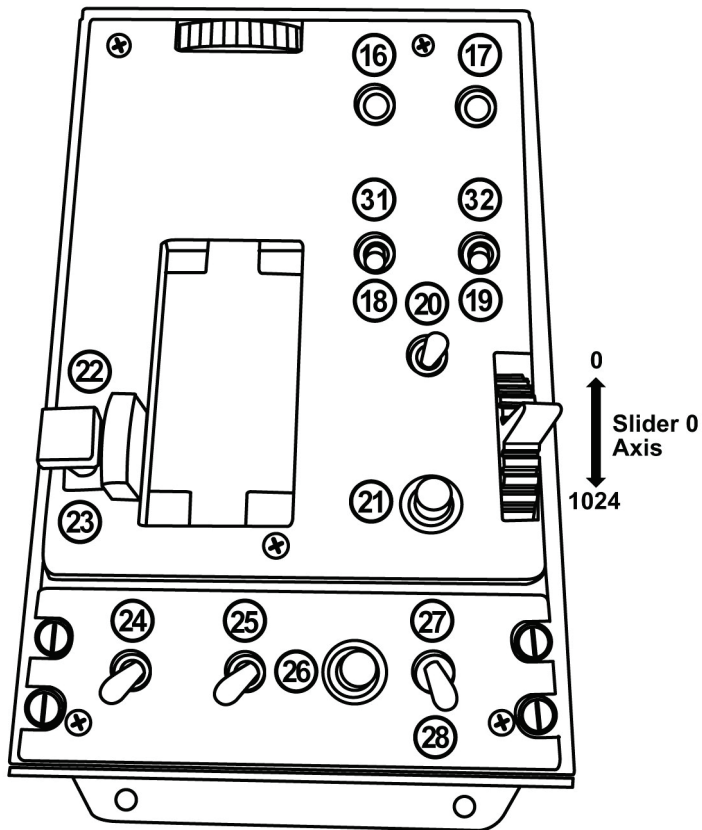


Op de THROTTLE:



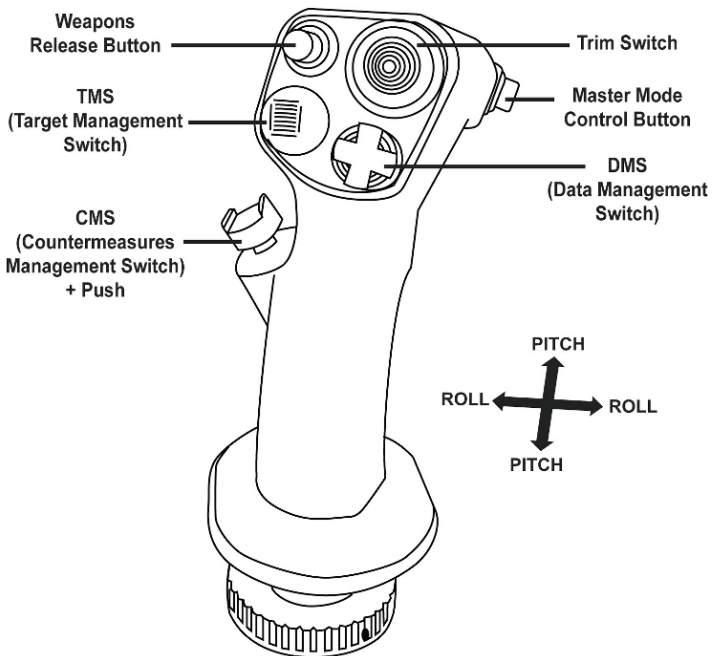


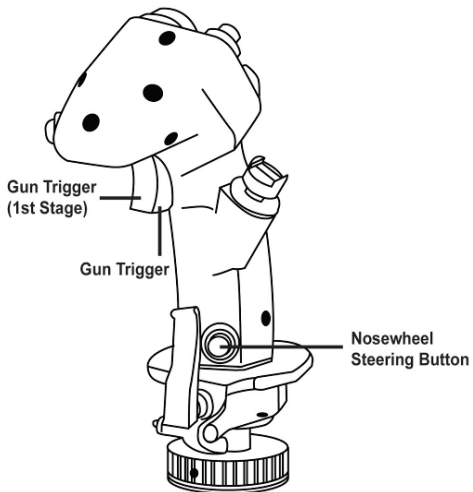
Op het BEDIENINGSPANEEL:



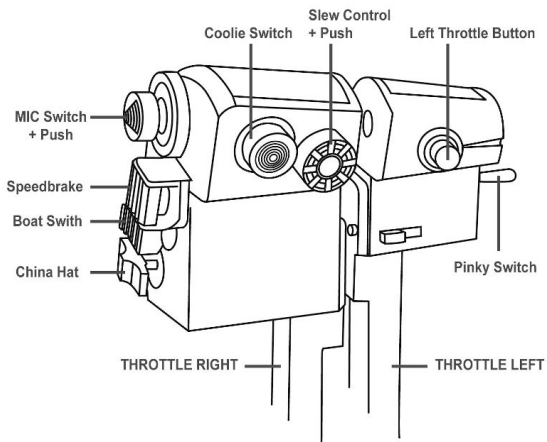
## "A-10C"-TOESTELFUNCTIES

Op de JOYSTICK:

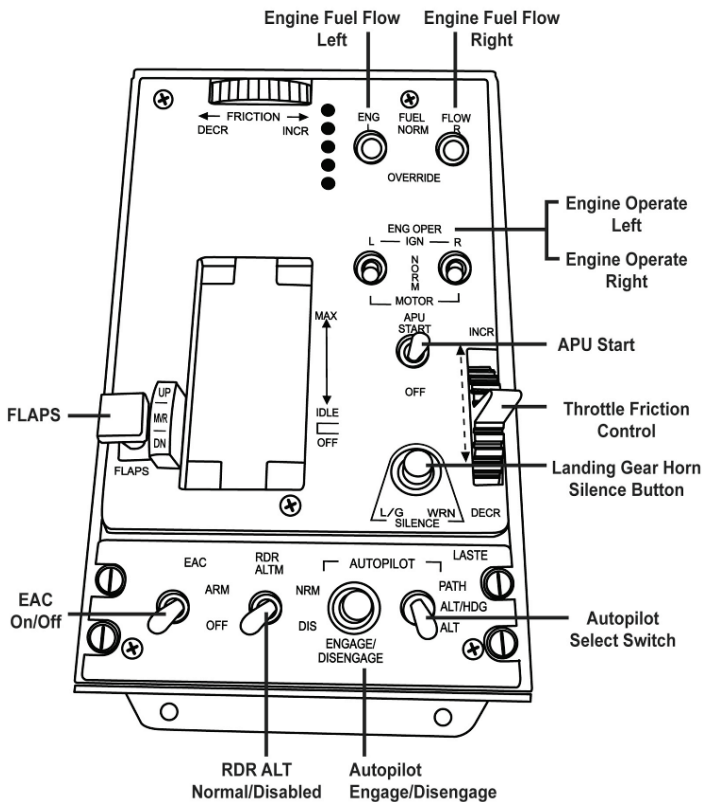




Op de THROTTLE:



Op het BEDIENINGSPANEEL:



ENGLISH

Français

DEUTSCH

**NEDERLANDS**

ITALIANO

ESPAÑOL

PORTUGUÊS

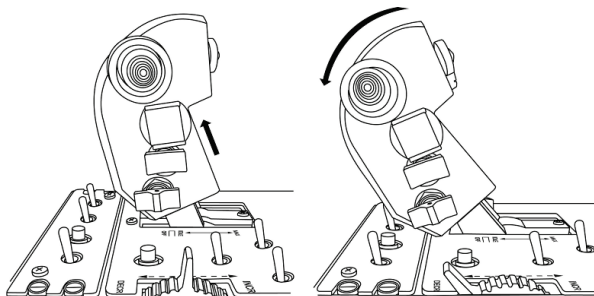
РУССКИЙ

## REALISTISCHE STANDEN VOOR IDLE EN AFTERBURNER

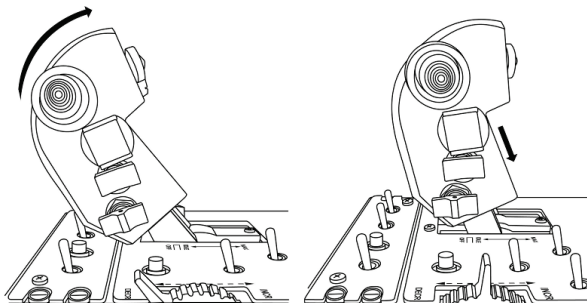
De throttle van de HOTAS Warthog heeft realistische systemen voor de standen IDLE (stationair) en AFTERBURNER (het AFTERBURNER-systeem is afkoppelbaar).

### IDLE:

In de stand IDLE: om te motoren van het toestel af te zetten (in games waarin dit mogelijk is), trekt u de throttle-hendels iets omhoog over de vergrendeling heen en zet u de throttle-hendels in de stand OFF.

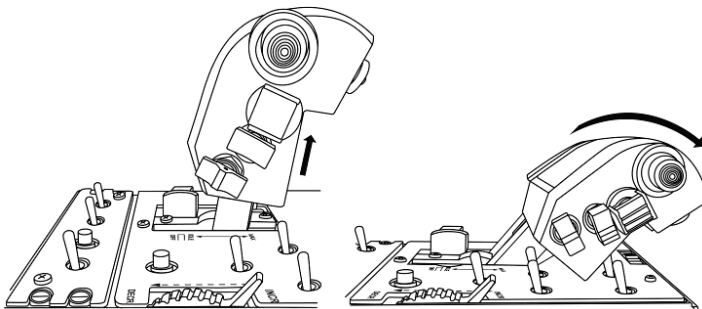


Om de motoren weer aan te zetten, drukt u de throttle-hendels naar voren en daarna iets naar beneden in de stand IDLE.



## AFTERBURNER:

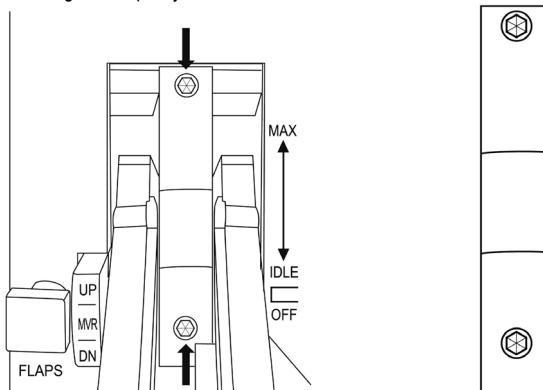
Als de vergrendeling van de AFTERBURNER-module aanwezig is, trekt u de throttle-hendels iets omhoog over de vergrendeling heen en drukt u de hendels naar voren.



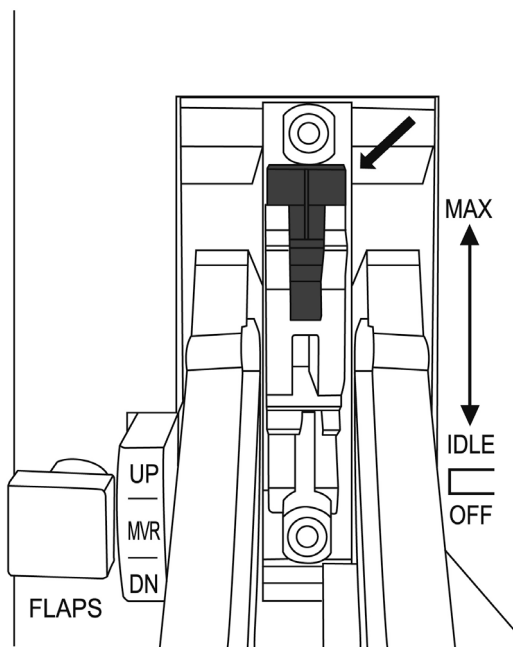
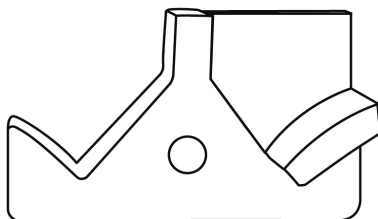
## DE AFTERBURNER-VERGREDELING (DE)MONTEREN:

*(De AFTERBURNER-vergrendeling is standaard niet gemonteerd).*

- Draai de 2 bouten los met de meegeleverde imbusleutel zoals hieronder afgebeeld. Verwijder vervolgens het plaatje tussen de 2 throttle-hendels.

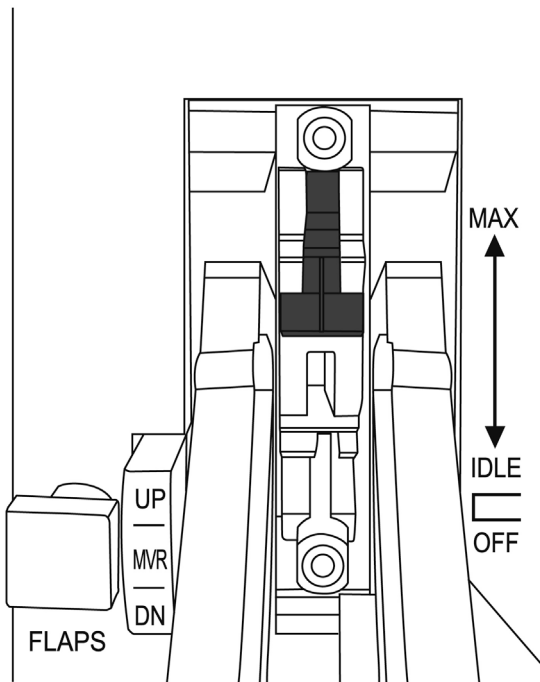


- Haal de AFTERBURNER-module weg die zich onder het verwijderbare plaatje bevindt.



**(In deze stand is de AFTERBURNER-vergrendeling UITgeschakeld)**

- Draair de module op zijn kop en plaats hem weer terug:



**(In deze stand is de AFTERBURNER-vergrendeling INgeschakeld)**

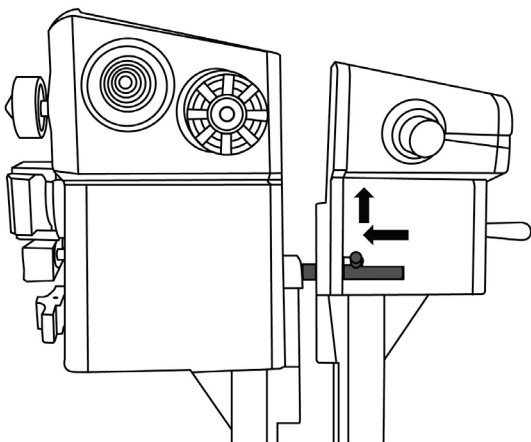
- Plaats het verwijderbare plaatje terug tussen de 2 throttle-hendels en zet de 2 imbusbouten weer vast.

**BELANGRIJKE OPMERKING:** Om mogelijke schade aan de AFTERBURNER-module te vermijden, mag u de throttle-hendels nooit gebruiken als het verwijderbare plaatje niet correct met de 2 imbusbouten tussen de 2 throttle-hendels is gemonteerd.

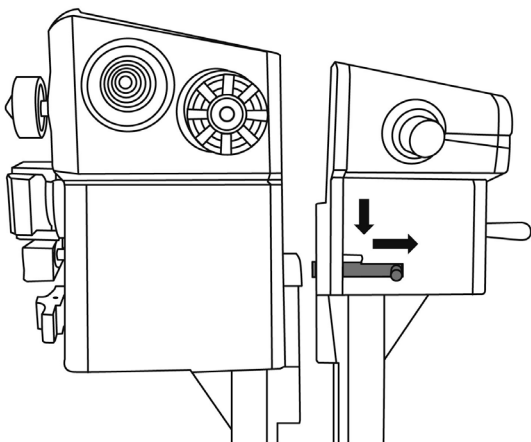


## DE 2 THROTTLE-HENDELS SAMENVOEGEN/SCHIEDEN

De throttle-hendels samenvoegen:



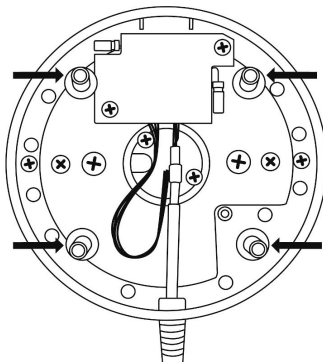
De throttle-hendels scheiden:



## DE JOYSTICK IN EEN COCKPIT OF OP ANDERE VASTE STEUN INSTALLEREN

### De joystick in een cockpit monteren:

- Draai de 4 bouten onderop de metalen onderplaat van de joystick los en verwijder de metalen onderplaat.
- Gebruik de 4 schroefdraden onderop de joystick om de joystick direct op een vaste steun te bevestigen.



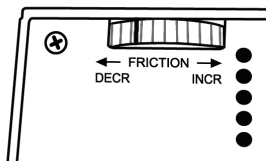
U kunt ook de 4 gaten op de uithoeken van de metalen onderplaten van de joystick en de throttle gebruiken om beide onderdelen op een vaste steun te bevestigen.

### INSTELBAAR THROTTLE-FRICTIESYSTEEM

- De frictie verhogen: draai het wieltje naar rechts (INCR).
- De frictie verlagen: draai het wieltje naar links (DECR).

### BELANGRIJKE OPMERKINGEN:

- Standaard staat de frictie op beide throttles ingesteld op de laagste stand.
- U kunt de frictie zeer precies afstellen op uw eigen smaak. U draait het wieltje ongeveer 10 keer volledig rond om van de laagste naar de hoogste frictie te gaan.
- Het wieltje heeft een witte markering die nuttig kan zijn bij het tellen van het aantal keren dat u het wieltje hebt gedraaid.



## **COMPATIBILITEIT MET EERDERE PRODUCTEN:**

De nieuwe "HOTAS Warthog"-greep is compatibel met de voet van de "HOTAS Cougar" (en vice versa).

Alleen de CMS-drukknop (knop 19) zal niet werken omdat deze functie niet aanwezig was op de HOTAS Cougar.

## **ACHTERGRONDVERLICHTING VAN HET BEDIENINGSPANEEL**

De intensiteit van de achtergrondverlichting van het bedieningspaneel kan worden aangepast in de T.A.R.G.E.T (Thrustmaster Advanced pRogramming Graphical EdiTor). Er zijn vijf niveaus aan helderheid beschikbaar: van 1 (minimale intensiteit) tot 5 (maximale intensiteit). De standaardinstelling is 2.

## **DE 5 PROGRAMMEERBARE LED'S AANSTUREN**

De 5 programmeerbare LED's van het bedieningspaneel worden bestuurd via de T.A.R.G.E.T. (Thrustmaster Advanced pRogramming Graphical EdiTor).

## **Informatie met betrekking tot kopersgarantie**

Wereldwijd garandeert Guillemot Corporation S.A., het statutair adres gevestigd aan de Place du Granier, B.P. 97143, 35571 Chantepie, Frankrijk, (hierna te noemen "Guillemot") aan de koper dat dit Thrustmaster-product vrij zal zijn van materiaal- en fabricagefouten gedurende een garantieperiode gelijk aan de tijd maximaal vereist om een restitutie/vervanging voor dit product te claimen. In landen van de Europese Unie komt dit overeen met een periode van twee (2) jaar vanaf het moment van levering van het Thrustmaster-product. In andere landen komt de garantieperiode overeen met de tijd maximaal vereist om een restitutie/vervanging voor dit Thrustmaster-product te claimen zoals wettelijk is vastgelegd in het land waarin de koper woonachtig was op de datum van aankoop van het Thrustmaster-product. Indien een dergelijk claimrecht niet wettelijk is vastgelegd in het betreffende land, geldt een garantieperiode van één (1) jaar vanaf datum aankoop van het Thrustmaster-product.

Ongeacht het hierboven gestelde, geldt voor oplaadbare batterijen een garantieperiode van zes (6) maanden vanaf datum aankoop.

Indien u in de garantieperiode een defect meent te constateren aan dit product, neem dan onmiddellijk contact op met Technical Support die u zal informeren over de te volgen procedure. Als het defect wordt bevestigd, dient het product te worden geretourneerd naar de plaats van aankoop (of een andere locatie die wordt opgegeven door Technical Support).

Binnen het gestelde van deze garantie wordt het defecte product van de koper gerepareerd of vervangen, zulks ter beoordeling van Technical Support. Indien het Thrustmaster-product tijdens de garantieperiode is onderworpen aan een dergelijk herstel, wordt elke periode van ten minste zeven (7) dagen waarin het product niet in gebruik is, opgeteld bij de resterende garantieperiode (deze periode loopt vanaf de datum van verzoek van de consument voor interventie of vanaf de datum waarop het product in kwestie beschikbaar is gesteld voor herstel als de datum waarop het product ter beschikking wordt gesteld voor herstel later is dan de datum van het verzoek om interventie). Indien toegestaan door van toepassing zijnde wetgeving, beperkt de volledige aansprakelijkheid van Guillemot en haar dochterondernemingen (inclusief de aansprakelijkheid voor vervolgschade) zich tot het repareren of vervangen van het Thrustmaster-product. Indien toegestaan door van toepassing zijnde wetgeving, wijst Guillemot elke garantie af met betrekking tot verhandelbaarheid of geschiktheid voor enig doel.

Deze garantie is niet van kracht: (1) indien het product aangepast, geopend of gewijzigd is, of beschadigd is ten gevolge van oneigenlijk of onvoorzichtig gebruik, verwaarlozing, een ongeluk, normale slijtage, of enige andere oorzaak die niet gerelateerd is aan een materiaal- of fabricagefout (inclusief maar niet beperkt tot het combineren van het Thrustmaster-product met enig ongeschikt element waaronder in het bijzonder voedingsadapters, oplaadbare batterijen, opladers of enig ander element niet geleverd door Guillemot voor dit product); (2) als het product is gebruikt voor enig ander doel dan thuisgebruik, zoals maar niet exclusief een professioneel of commercieel doel (bijvoorbeeld game rooms, training, wedstrijden); (3) indien u zich niet houdt aan de instructies zoals verstrekt door Technical Support; (4) op software die onder een specifieke garantie valt; (5) op verbruiksartikelen (elementen die tijdens de levensduur van het product worden vervangen zoals bijvoorbeeld batterijen of pads van een headset of koptelefoon); (6) op accessoires (zoals bijvoorbeeld kabels, behuizingen, hoesjes, etui's, draagtassen of polsbandjes); (7) indien het product werd verkocht op een openbare veiling.

Deze garantie is niet overdraagbaar.

De wettelijke rechten van de koper die in zijn/haar land van toepassing zijn op de verkoop van consumentproducten worden op generlei wijze door deze garantie beperkt.

### **Aanvullende garantiebepalingen**

Gedurende de garantieperiode zal Guillemot in principe nooit reserveonderdelen leveren omdat Technical Support de enige partij is die bevoegd is een Thrustmaster-product te openen en/of te herstellen (met uitzondering van een herstelprocedure die de klant door Technical Support gevraagd wordt uit te voeren met behulp van schriftelijke instructies – omdat deze procedure bijvoorbeeld eenvoudig is en het herstelproces niet vertrouwelijk is – en door het verstrekken aan de consument van de benodigde onderdelen, indien van toepassing).

Gezien de innovatiecycli en om haar knowhow en handelsgeheimen te beschermen, zal Guillemot in principe nooit een herstelbeschrijving of reserveonderdelen verstrekken voor een Thrustmaster-product waarvan de garantieperiode is verstreken.

In de Verenigde Staten en Canada is deze garantie beperkt tot het interne mechanisme en de externe behuizing van dit product. In geen geval kan Guillemot of een van de bij Guillemot aangesloten ondernemingen aansprakelijk worden gesteld voor enige derde partij voor vervolgschade of incidentele schade als gevolg van inbreuk op expliciete of impliciete garantiebepalingen. In sommige rechtsgebieden zijn beperkingen ten aanzien van de duur van impliciete garanties en uitsluiting of beperking van aansprakelijkheid voor incidentele schade of vervolgschade niet toegestaan. Het is dus mogelijk dat bovenstaande beperkingen of uitsluitingen voor u niet van toepassing is. Deze garantie verleent u specifieke wettelijke rechten. Anderzijds is het mogelijk dat u rechten hebt die niet in deze garantiebepalingen worden genoemd. Voorwaarden en condities variëren van land tot land.

### **Aansprakelijkheid**

Indien toegestaan door van toepassing zijnde wetgeving, wijzen Guillemot Corporation S.A. (hierna te noemen “Guillemot”) en haar dochterondernemingen alle aansprakelijkheid af voor enige schade veroorzaakt door één van de volgende oorzaken: (1) indien het product aangepast, geopend of gewijzigd is; (2) de montage-instructies niet zijn opgevolgd; (3) oneigenlijk of onvoorzichtig gebruik, verwaarlozing, een ongeluk (bijvoorbeeld stoten); (4) normale slijtage; (5) het gebruik van het product voor enig ander doel dan thuisgebruik, zoals maar niet exclusief een professioneel of commercieel doel (bijvoorbeeld game rooms, training, wedstrijden). Indien toegestaan onder van toepassing zijnde wetgeving, wijzen Guillemot en haar dochterondernemingen alle aansprakelijkheid af voor enige schade aan dit product niet gerelateerd aan een materiaal- of fabricagefout (inclusief maar niet beperkt tot enige schade direct of indirect veroorzaakt door enige software, of door het combineren van het Thrustmaster-product met enig ongeschikt element waaronder in het bijzonder voedingsadapters, oplaadbare batterijen, opladers of enig ander element niet geleverd door Guillemot voor dit product).

## COPYRIGHT

© 2017 Guillemot Corporation S.A. Alle rechten voorbehouden. Thrustmaster® is een geregistreerd handelsmerk van Guillemot Corporation S.A. Windows® is een geregistreerd handelsmerk van Microsoft Corporation in de Verenigde Staten en/of andere landen. Alle andere handelsmerken zijn eigendom van de respectieve eigenaren. Afbeeldingen zijn niet bindend. Inhoud, ontwerp en specificaties kunnen zonder kennisgeving vooraf worden gewijzigd en kunnen per land verschillen. Geproduceerd in China.

## AANBEVELINGEN VOOR DE BESCHERMING VAN HET MILIEU



In de Europese Unie: Gooi dit product na het einde van de levensduur niet weg met het normale afval, maar breng het naar het door uw gemeente aangewezen inzamelpunt voor elektrische en/of computerapparatuur.

Ter herinnering is hiertoe op het product, de gebruikshandleiding of de verpakking een symbool aangebracht.

De meeste materialen kunnen worden gerecycled. Door recycling en andere methoden voor verantwoorde verwerking van afgedankte elektrische en elektronische apparaten kunt u een belangrijke bijdrage leveren aan de bescherming van het milieu.

Neem contact op met uw gemeente voor informatie over een inzamelpunt bij u in de buurt.

In alle andere landen: houd u aan de plaatselijk milieuwetgeving voor elektrische en elektronische apparaten.

Bewaar deze informatie. De kleuren en decoraties kunnen variëren.

Plastic bevestigingen en hechtmaterialen moeten van het product worden verwijderd voordat het wordt gebruikt.

Dit product voldoet aan alle normen voor kinderen van 16 jaar en ouder. Dit product is niet geschikt voor gebruik door kinderen jonger dan 16 jaar.

[www.thrustmaster.com](http://www.thrustmaster.com)

*\*Alleen van toepassing in de EU en Turkije*



**THRUSTMASTER®**

**TECHNISCHE ONDERSTEUNING**

**<http://support.thrustmaster.com>**

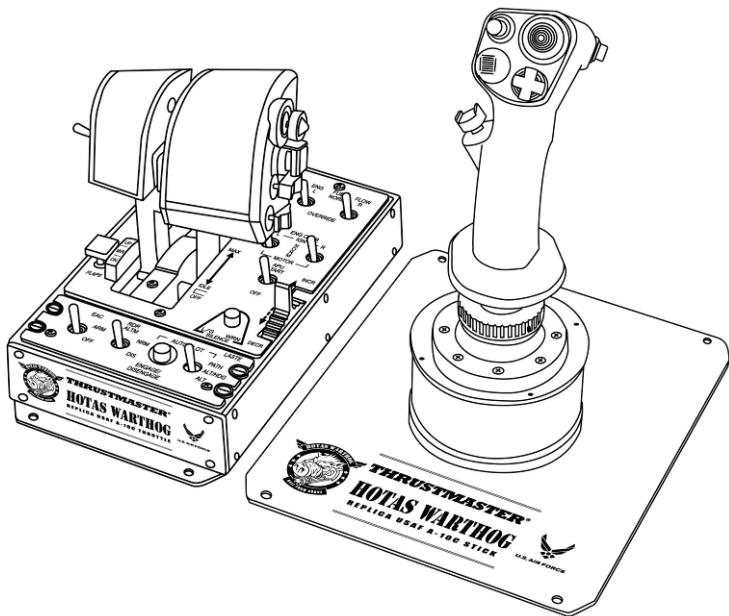


# HOTAS WARTHOG



Compatibile: PC

Manuale d'uso hardware



ENGLISH

FRANÇAIS

DEUTSCH

NEDERLANDS

ITALIANO

ESPAÑOL

PORTUGUÊS

РУССКИЙ

## **Kit joystick HOTAS™(\*\*) (Hands On Throttle And Stick), replica dell'aereo da attacco U.S. Air Force A-10C, comprendente:**

### **1 JOYSTICK (replica)**

- Nuova e innovativa H.E.A.R.T HallEffect AccuRate Technology(\*):
  - Sensori magnetici 3D (Hall Effect) nella leva
  - Risoluzione a 16-bit (65536 x 65536 valori)
  - Sistema a 5 molle elicoidali(\*)
- Connessione USB con firmware aggiornabile
- Base appesantita ultra-stabile (oltre 3kg)
- Nuova manetta sganciabile, realizzata interamente in metallo:
  - compatibile anche con la leva HOTAS COUGAR™ (e vice-versa)
  - nuovo profilo replica
  - placca in metallo rimovibile, per un uso da scrivania o stile-abitacolo
  - nuova, realistica pressione dei pulsanti e del grilletto
  - un totale di 19 pulsanti azione + 1 hat switch "angolo di visuale" ad 8 direzioni:
    - . 1 x hat switch "angolo di visuale" ad 8 direzioni
    - . 2 x hat switch a 8 direzioni
    - . 1 x hat switch a 4 direzioni con pulsante a pressione
    - . 1 x doppio grilletto in metallo
    - . 2 x pulsanti a pressione
    - . 2 x pulsanti a pressione per il dito mignolo

### **1 PANNELLO DI CONTROLLO (replica)**

- Base appesantita (oltre 3,5kg) incorporata sotto alle manette
- Funzioni retro-illuminate
- 5 LED programmabili
- Pressione su pulsanti e switch
- Un totale di 15 pulsanti azione + 1 rotella TRIM:
  - . 1 x rotella TRIM
  - . 2 x pulsanti a pressione
  - . 5 x switch a 2 posizioni (2 permanenti)
  - . 2 x switch a 3 posizioni (1 momentanea + 2 permanenti)
  - . 2 x switch a 3 posizioni (3 permanenti)

## **DOPPIA MANETTA (replica)**

- Nuova e innovativa H.E.A.R.T HallEffect AccuRate Technology(\*):
  - Sensori magnetici 3D (Hall Effect) nelle 2 manette
  - Risoluzione a 14-bit (16384 valori) per ciascuna manetta
- Connessione USB con firmware aggiornabile
- Doppia manetta, dotata di:
  - zona in metallo per il riposo della mano
  - sistema di bloccaggio
  - sistema a resistenza regolabile
  - realistica posizione IDLE con sistema "Pull & Push"(\*)
  - realistica posizione AFTERBURNER sganciabile, con sistema "Pull & Push"(\*)
  - pressione realistica su pulsanti e switch
  - un totale di 17 pulsanti azione + 1 hat switch per l'emulazione del mouse con pulsante a pressione + 1 hat switch "angolo di visuale" ad 8 direzioni:
    - . 1 x hat switch per l'emulazione del mouse con pulsante a pressione e sensore magnetico 3D (Hall Effect)
    - . 1 x hat switch a 8 direzioni
    - . 1 x hat switch a 4 direzioni con pulsante a pressione
    - . 1 x pulsante a pressione
    - . 1 x switch a 3 posizioni (2 temporanee + 1 permanente)
    - . 2 x switch a 3 posizioni (3 permanenti)
    - . 1 x switch a 3 posizioni (1 momentanea + 2 permanenti)

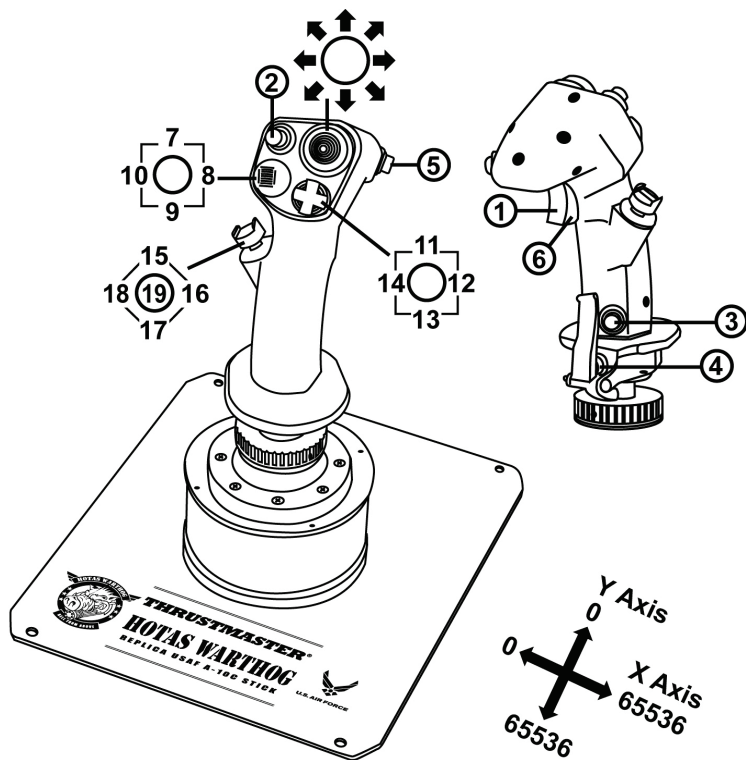
(\*) *In attesa di brevetto.*

(\*\*) *HOTAS™ è un marchio di proprietà di Guillemot Corporation S.A.*

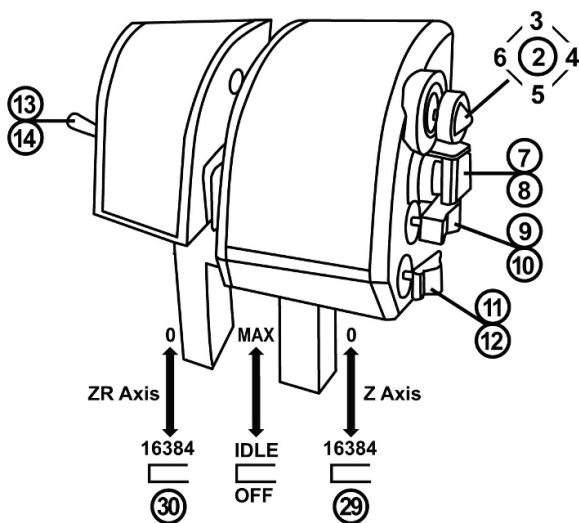
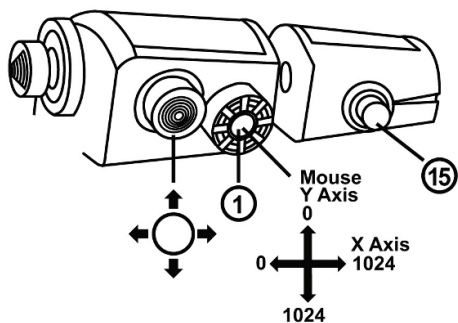


## CONFIGURAZIONE DI PULSANTI E ASSI

Sul JOYSTICK:



Sulla MANETTA:



ENGLISH

Français

DEUTSCH

NEDERLANDS

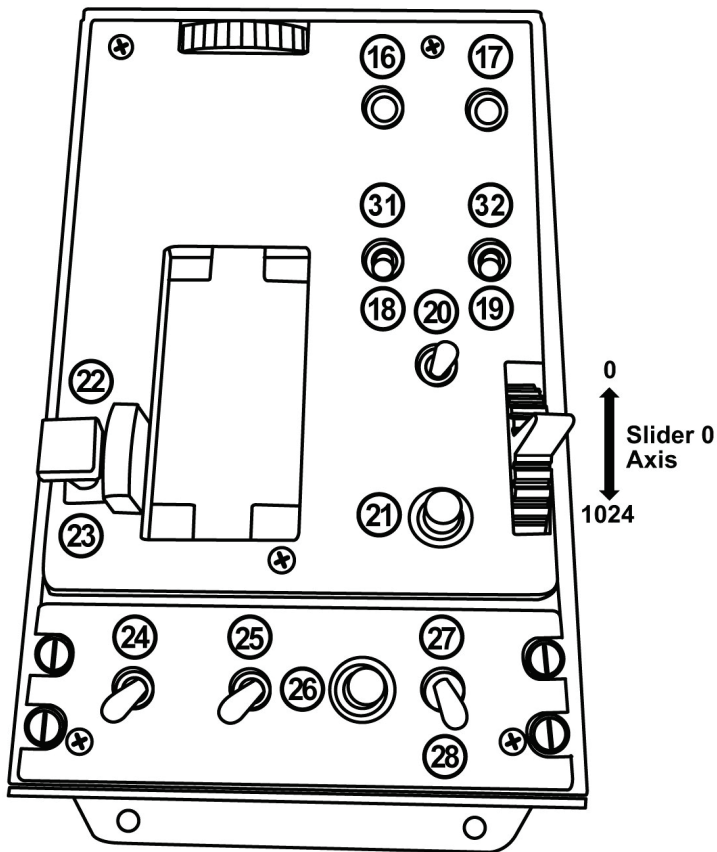
ITALIANO

ESPAÑOL

PORTUGUÊS

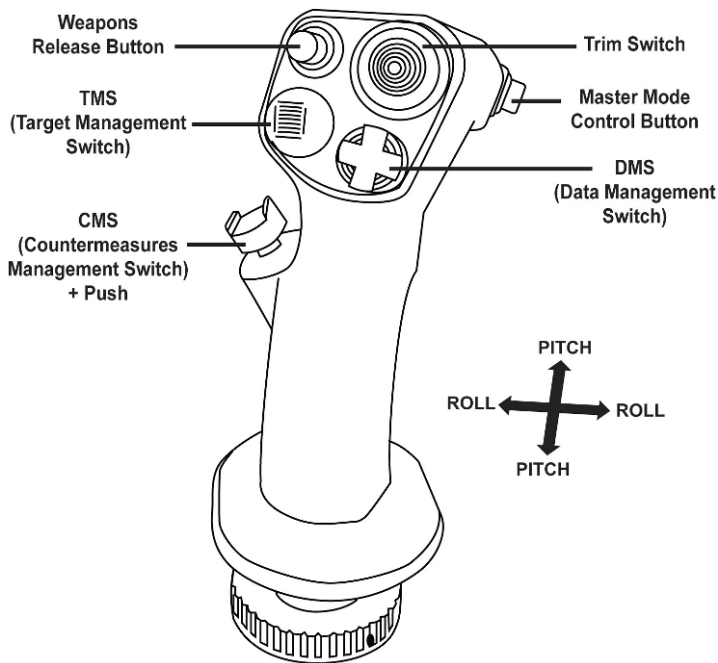
РУССКИЙ

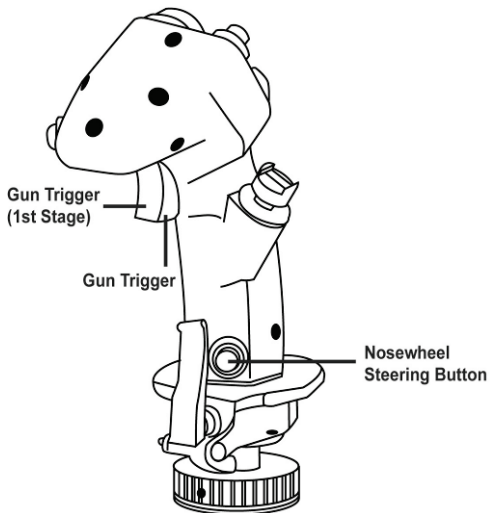
Sul PANNELLO DI CONTROLLO:



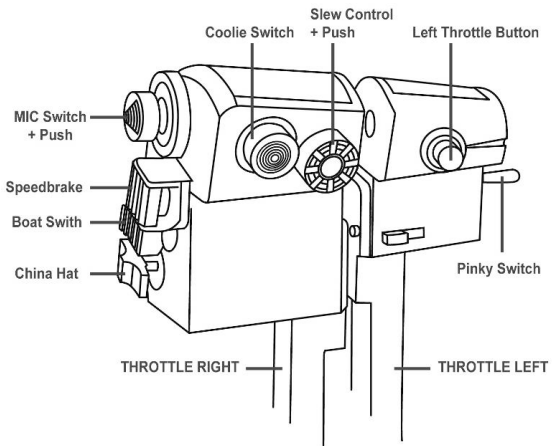
## COMANDI AEREO "A-10C"

Sul JOYSTICK:

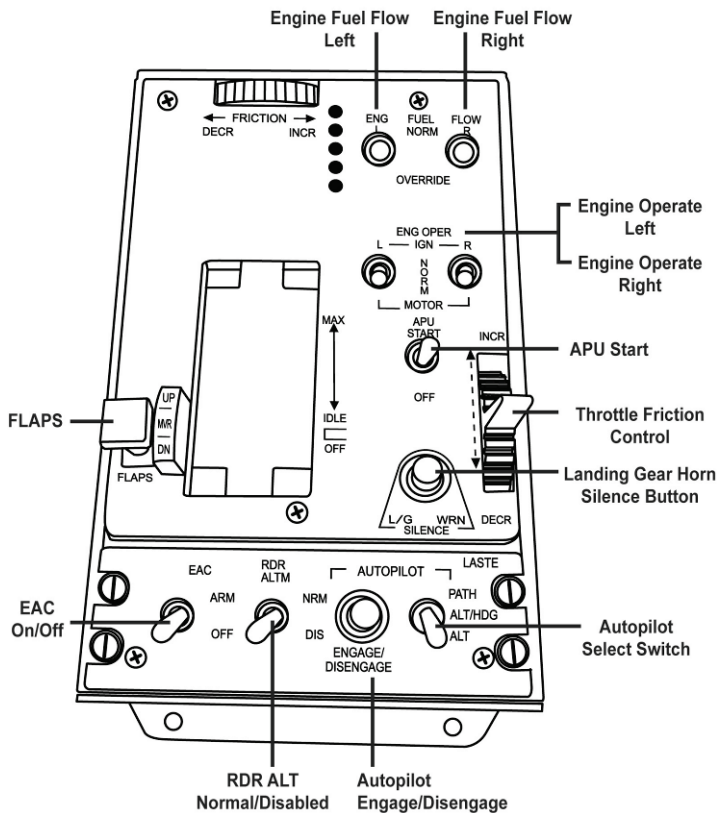




Sulla MANETTA:



Sul PANNELLO DI CONTROLLO:

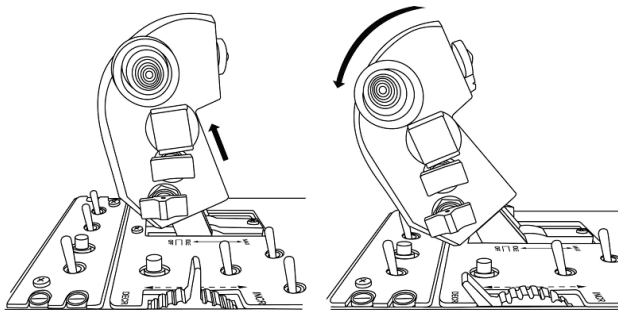


## REALISTICHE POSIZIONI IDLE E AFTERBURNER

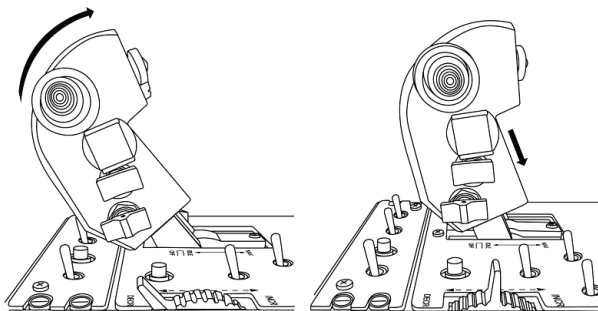
La manetta di HOTAS Warthog è dotata di un realistico sistema per le posizioni IDLE (STALLO) e AFTERBURNER (POSTBRUCIATORI) (il sistema AFTERBURNER è sganciabile).

### IDLE:

A manetta impostata su IDLE: per spegnere i motori dell'aereo (nei giochi compatibili), solleva leggermente le leve della manetta (per portarle al di sopra della tacca) e porta le leve della manetta in posizione OFF.

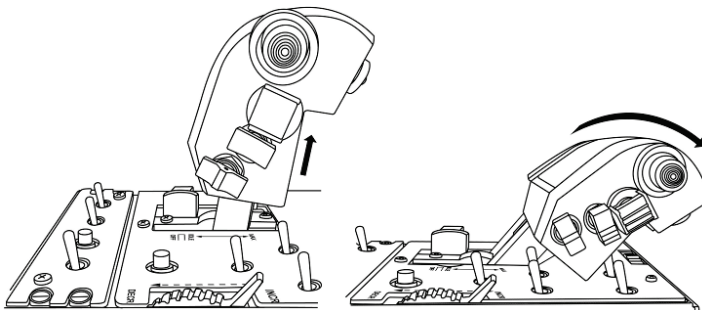


Per riaccendere i motori, non devi far altro che spingere in avanti (e poi leggermente verso il basso) le leve della manetta, portandole in posizione IDLE.



## AFTERBURNER:

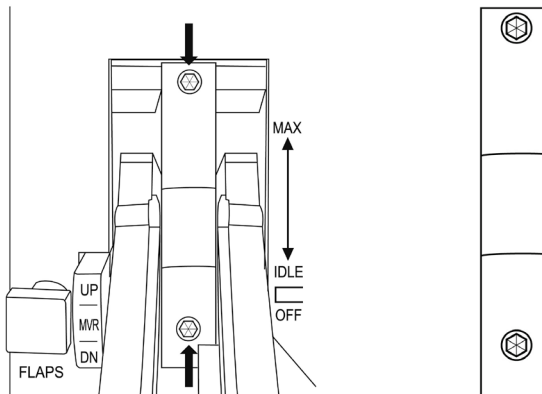
Quando il modulo di blocco AFTERBURNER è installato, solleva leggermente le leve della manetta (per portarle al di sopra della tacca) e spingile quindi in avanti.



## INSTALLARE/DISINSTALLARE IL BLOCCO AFTERBURNER:

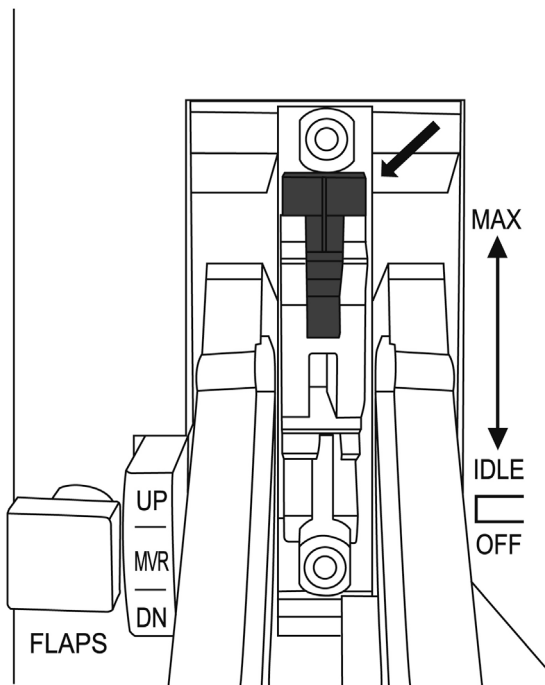
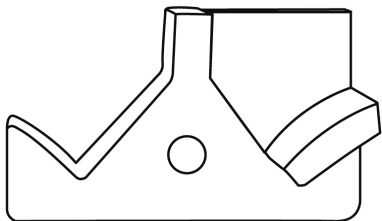
*(Per default, il modulo di blocco AFTERBURNER non è installato).*

- Utilizzando l'acclusa chiave Allen, svita le 2 viti così come mostrato in figura e sfilare la barra rimovibile inserita tra le 2 leve della manetta.



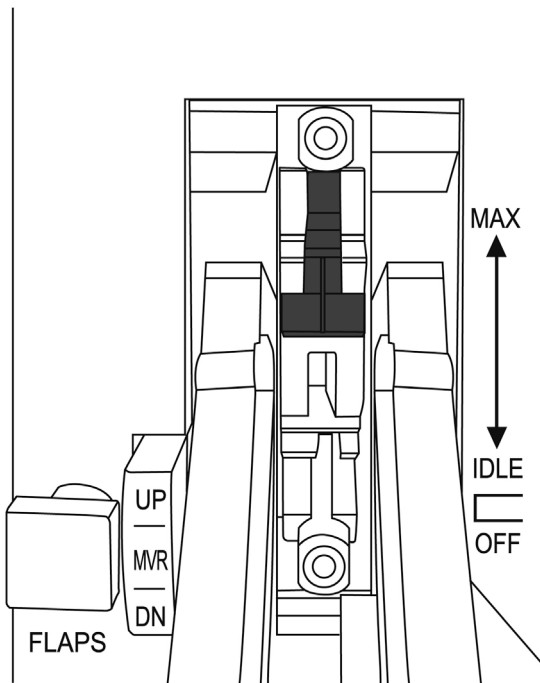


- Sfila il modulo AFTERBURNER, posto al di sotto della barra rimuovibile:



(In questa posizione, il blocco AFTERBURNER è disabilitato)

- Ribalta il modulo a faccia in giù e reinsertiscilo in posizione:



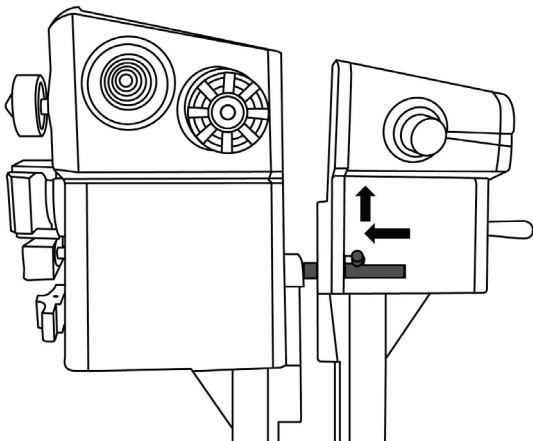
**(In questa posizione, il blocco AFTERBURNER è ora attivo)**

- Reinsertisci la barra rimuovibile tra le 2 leve della manetta, dopodiché inserisci e stringi nuovamente le 2 viti.

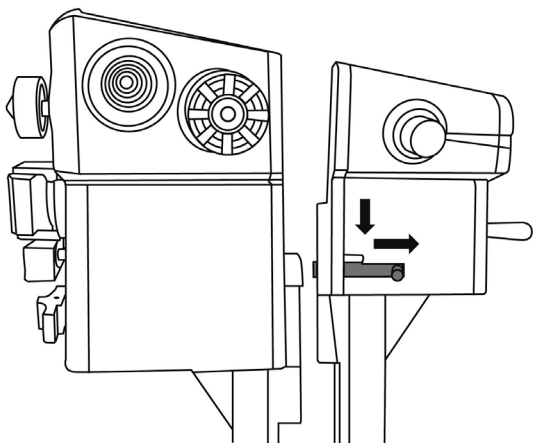
**NOTA IMPORTANTE:** Per evitare qualsiasi potenziale danno al modulo AFTERBURNER, non utilizzare mai le leve della manetta senza che la barra rimuovibile sia correttamente installata tra le 2 leve stesse (tramite le 2 apposite viti).

## INSERIRE/SEPARARE LE 2 LEVE DELLA MANETTA

Per vincolare tra loro le leve della manetta:



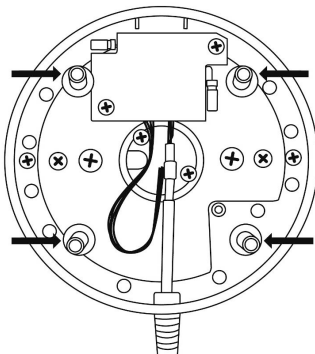
Per sganciare tra loro le leve della manetta:



## INSTALLARE IL JOYSTICK IN UN ABITACOLO O IN UN ALTRO SUPPORTO FISSO

Per attaccare il joystick ad un abitacolo:

- Svita le 4 viti poste al di sotto della placca metallica presente nella base del joystick, rimuovendo poi la stessa placca metallica.
- Tramite le apposite 4 guide per viti poste nella parte inferiore del joystick, fissa il joystick direttamente al tuo supporto rigido.



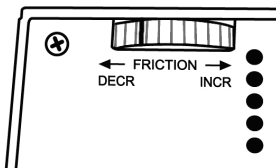
In alternativa, per fissare joystick e manetta ad un supporto fisso, puoi utilizzare i 4 fori posti agli angoli delle placche metalliche presenti nelle basi di entrambi gli elementi.

## SISTEMA DI REGOLAZIONE DELLA RESISTENZA DELLA MANETTA

- Per aumentare la resistenza: gira la rotella verso destra.
- Per ridurre la resistenza: gira la rotella verso sinistra.

### NOTE IMPORTANTI:

- Per default, la resistenza di entrambe le manette è regolata sul valore minimo.
- Per poter ottenere un'accurata regolazione rispetto al valore della resistenza da te desiderato, per spostarsi dal valore minimo al valore massimo occorrono circa dieci giri completi.
- Se lo desideri, per aiutarti a contare i giri, puoi sfruttare la tacca bianca presente sulla rotella.



## **RETRO-COMPATIBILITÀ**

La nuova leva di "HOTAS Warthog" è retro-compatibile con la base di "HOTAS Cougar" (e viceversa).

Solo il pulsante a pressione CMS (pulsante 19) risulterà non funzionante, in quanto non originariamente presente su HOTAS Cougar.

## **RETROILLUMINAZIONE DEL PANNELLO DI CONTROLLO**

L'intensità della retro-illuminazione del pannello di controllo può essere regolata direttamente tramite T.A.R.G.E.T (Thrustmaster Advanced pRogramming Graphical EdiTor). Sono disponibili cinque diversi livelli di intensità: da 1 (intensità minima) a 5 (intensità massima), con un valore predefinito pari a 2.

## **GESTIONE DEI 5 LED PROGRAMMABILI**

Puoi gestire i 5 LED programmabili del Pannello di Controllo direttamente tramite T.A.R.G.E.T. (Thrustmaster Advanced pRogramming Graphical EdiTor).

## **Informazioni sulla garanzia al consumatore**

A livello mondiale, Guillemot Corporation S.A., avente sede legale in Place du Granier, B.P. 97143, 35571 Chantepie, Francia (d'ora in avanti "Guillemot") garantisce al consumatore che il presente prodotto Thrustmaster sarà privo di difetti relativi ai materiali e alla fabbricazione, per un periodo di garanzia corrispondente al limite temporale stabilito per la presentazione di un reclamo riguardante la conformità del prodotto in questione. Nei paesi della Comunità Europea, tale periodo equivale a due (2) anni a partire dalla consegna del prodotto Thrustmaster. In altri paesi, la durata della garanzia corrisponde al limite temporale stabilito per la presentazione di un reclamo riguardante la conformità del prodotto Thrustmaster in base alle leggi applicabili nel paese in cui il consumatore risiedeva alla data di acquisto del prodotto Thrustmaster (qualora nel paese in questione non esistesse alcuna norma a riguardo, il periodo di garanzia corrisponderà a un (1) anno a partire dalla data originale di acquisto del prodotto Thrustmaster). Diversamente da quanto affermato in precedenza, le batterie ricaricabili sono coperte da una garanzia di sei (6) mesi dalla data di acquisto originale.

Qualora, durante il periodo di garanzia, il prodotto dovesse apparire difettoso, contatti immediatamente l'Assistenza Tecnica, che le indicherà la procedura da seguire. Qualora il difetto dovesse essere confermato, il prodotto dovrà essere riportato al luogo di acquisto (o qualsiasi altro luogo indicato dall'Assistenza Tecnica).

Nel contesto della presente garanzia, il prodotto difettoso di proprietà del consumatore potrà essere sostituito o reso nuovamente funzionante, a discrezione dell'Assistenza Tecnica. Se, durante il periodo coperto dalla garanzia, il prodotto Thrustmaster fosse oggetto di tale rimessa in operatività, alla rimanente durata della garanzia dovrà essere aggiunto un periodo di almeno sette (7) giorni, durante il quale il prodotto risulta non utilizzabile (tale periodo intercorre dalla data della richiesta di intervento da parte del consumatore o dalla data in cui il prodotto in questione è reso disponibile per la rimessa in operatività, questo nel caso in cui tale data sia successiva alla data di richiesta di intervento). Qualora le leggi applicabili in materia lo consentano, la totale responsabilità di Guillemot e delle sue controllate (compresi i danni conseguenti) si limita alla rimessa in operatività o alla sostituzione del prodotto Thrustmaster. Qualora le leggi applicabili in materia lo consentano, Guillemot declina ogni garanzia sulla commerciabilità o la conformità a finalità particolari.

La presente garanzia non potrà essere applicata: (1) se il prodotto è stato modificato, aperto, alterato o ha subito danni derivanti da un uso inappropriato o non autorizzato, da negligenza, da un incidente, dalla semplice usura, o da qualsiasi altra causa non riconducibile a difetti nei materiali o nell'assemblaggio (compresi, ma non i soli, prodotti Thrustmaster combinati con elementi inadatti, tra cui, in particolare, batterie ricaricabili, caricatori o qualsiasi altro elemento non fornito da Guillemot per questo prodotto); (2) nel caso in cui il prodotto sia stato utilizzato per qualsiasi altro scopo al di fuori dell'uso domestico, comprese finalità professionali o commerciali (esempio: sale giochi, allenamenti, concorsi); (3) in caso di mancato rispetto delle istruzioni fornite dall'Assistenza Tecnica; (4) in caso di software, ovvero software soggetto a una specifica garanzia; (5) ai materiali di consumo (elementi che richiedono la loro sostituzione al termine della loro durata di esercizio come, ad esempio, batterie di tipo convenzionale o cuscinetti protettivi per auricolari o cuffie); (6) agli accessori (ad esempio, cavi, custodie, borsette, borse, cinturini); (7) se il prodotto è stato venduto ad un'asta pubblica.

La presente garanzia non è trasferibile.

I diritti legali del consumatore, stabiliti dalle leggi vigenti in materia di vendita di beni di consumo nel relativo paese, non vengono intaccati dalla presente garanzia.

### **Disposizioni aggiuntive sulla garanzia**

Per tutta la durata della garanzia, in linea di principio, Guillemot non fornirà alcuna parte di ricambio, in quanto la sola Assistenza Tecnica è la parte autorizzata ad aprire e/o rimettere in funzionamento tutti i prodotti Thrustmaster (fatta eccezione per eventuali procedure di rimessa in operatività che l'Assistenza Tecnica potrebbe richiedere al consumatore, attraverso istruzioni scritte – viste, ad esempio, la semplicità e la mancanza di riservatezza della procedura di rimessa in operatività – e fornendo al consumatore le necessarie parti di ricambio, se ve ne fosse l'esigenza).

Considerando i propri cicli di innovazione e per proteggere il proprio know-how e i propri segreti commerciali, in linea di principio, Guillemot non fornirà alcuna notifica o parte di ricambio finalizzata alla rimessa in attività di un qualunque prodotto Thrustmaster il cui periodo di garanzia risultasse scaduto.

Negli Stati Uniti d'America e in Canada, la presente garanzia è limitata al meccanismo interno del prodotto e alla struttura esterna. In nessun caso Guillemot o le sue controllate potranno essere ritenute responsabili, da una qualunque parte terza, per qualsiasi danno accidentale o consequenziale derivante dalla violazione di una qualunque garanzia, espressa o implicita. Alcuni Stati/Province non ammettono limitazioni alla durata di una garanzia implicita, oppure all'esclusione o alla limitazione della responsabilità per danni accidentali o consequenziali, per cui le suddette limitazioni o esclusioni potrebbero non riguardarti. La presente garanzia ti fornisce specifici diritti legali, inoltre potresti avere anche altri diritti, variabili da Stato a Stato o da Provincia a Provincia.

### **Responsabilità**

Qualora le leggi applicabili in materia lo consentano, Guillemot Corporation S.A. (d'ora in avanti "Guillemot") e le sue controllate declinano ogni responsabilità per qualsiasi danno derivante da almeno una delle seguenti condizioni: (1) il prodotto è stato modificato, aperto o alterato; (2) mancato rispetto delle istruzioni di installazione; (3) uso inappropriato o non permesso, negligenza, incidente (come, ad esempio, un impatto); (4) semplice usura; (5) utilizzo del prodotto per qualsiasi altro scopo al di fuori dell'uso domestico, comprese finalità professionali o commerciali (esempio: sale giochi, allenamenti, concorsi). Qualora le leggi applicabili in materia lo consentano, Guillemot e le sue controllate declinano ogni responsabilità per qualsiasi danno non riconducibile a difetti nei materiali o nella fabbricazione del prodotto (compresi, ma non i soli, potenziali danni causati direttamente o indirettamente da un qualunque software, oppure dall'uso del prodotto Thrustmaster in combinazione con elementi inadatti, tra cui, in particolare, batterie ricaricabili, caricatori o qualsiasi altro elemento non fornito da Guillemot per questo prodotto).

## COPYRIGHT

© 2017 Guillemot Corporation S.A. Tutti i diritti riservati. Thrustmaster® è un marchio registrato di proprietà di Guillemot Corporation S.A. Windows® è un marchio registrato di proprietà di Microsoft Corporation per gli Stati Uniti e/o altri Paesi. Tutti gli altri marchi appartengono ai legittimi proprietari. Illustrazioni escluse. I contenuti, i design e le caratteristiche possono essere oggetto di modifiche senza preavviso e possono variare da un Paese all'altro. Fabbricato in Cina.

## RACCOMANDAZIONI SULLA TUTELA DELL'AMBIENTE



\* Nell'Unione Europea: Al termine della sua vita operativa, questo prodotto non dovrebbe essere gettato assieme ai comuni rifiuti, ma dovrebbe essere portato ad un apposito punto di raccolta destinato al riciclaggio del Materiale Elettrico ed Elettronico.

Ciò è confermato dal simbolo riportato sul prodotto, nel manuale d'uso o sulla confezione.

A seconda delle proprie caratteristiche, i materiali potrebbero essere riciclati. Tramite il riciclaggio ed altre forme di trattamento del Materiale Elettrico ed Elettronico, è possibile fornire un importante contributo per la salvaguardia dell'ambiente.

Per conoscere i punti di raccolta più vicini a te, contatta le autorità locali competenti.

In tutti gli altri Paesi: per favore, rispetta le leggi locali sul riciclo dei materiali elettrici ed elettronici.

Informazioni da conservare. I colori e le decorazioni possono variare.

I ganci di plastica e gli adesivi dovrebbero essere rimossi dal prodotto prima che quest'ultimo venga utilizzato.

Questo prodotto è conforme con le norme relative ai bambini di età superiore ai 16 anni. Non è adatto all'uso da parte di bambini di età inferiore ai 16 anni.

**[www.thrustmaster.com](http://www.thrustmaster.com)**

*\*Valido solo in UE e Turchia*



**THRUSTMASTER®**

**ASSISTENZA TECNICA**

**<http://support.thrustmaster.com>**

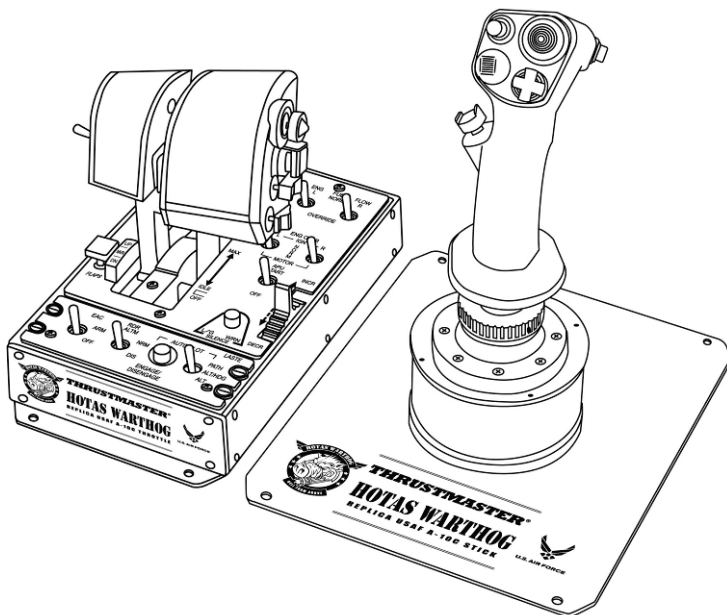


# HOTAS WARTHOG



Compatible: PC

Manual del usuario del hardware



ENGLISH

FRANÇAIS

DEUTSCH

NEDERLANDS

ITALIANO

ESPAÑOL

PORTUGUÊS

РУССКИЙ



## **Pack de joystick réplica HOTAS™(\*\*) (Hands On Throttle And Stick) del avión de ataque U.S. Air Force A-10C, que incluye:**

### **1 JOYSTICK (réplica)**

- Nueva e innovadora tecnología H.E.A.R.T HallEffect AccuRate Technology(\*):
  - sensores magnéticos 3D (Hall Effect) en la palanca
  - resolución de 16 bits (65536 x 65536 valores)
  - sistema con 5 muelles de bobina(\*)
- Conexión USB con firmware actualizable
- Base pesada y súper estable (más de 3 kg)
- Nueva palanca desmontable, hecha totalmente de metal:
  - también compatible con la palanca HOTAS COUGAR™ (y viceversa)
  - nueva forma de réplica
  - placa de metal desmontable para uso en escritorio o cabina
  - presión nueva y realista en los botones y el gatillo
  - 19 botones de acción en total + un hat switch "punto de vista" de 8 direcciones:
    - . 1 x hat switch "punto de vista" de 8 direcciones
    - . 2 x hat switch de 8 direcciones
    - . 1 x hat switch de 4 direcciones con botón pulsador
    - . 1 x gatillo dual metálico
    - . 2 x botones pulsadores
    - . 2 x botones pulsadores con el dedo meñique

### **1 PANEL DE CONTROL (réplica)**

- Base pesada (más de 3,5 kg) incorporada debajo de los mandos de potencia
- Funciones de retroiluminación
- 5 LED programables
- Presión realista en botones e interruptores
- 15 botones de acción en total + 1 rueda de TRIM:
  - . 1 x rueda de TRIM
  - . 2 x botones pulsadores
  - . 5 x interruptores de 2 posiciones (2 permanentes)
  - . 2 x interruptores de 3 posiciones (1 momentánea + 2 permanentes)
  - . 2 x interruptores de 3 posiciones (3 permanentes)

## **MANDOS DE POTENCIA DUALES (réplica)**

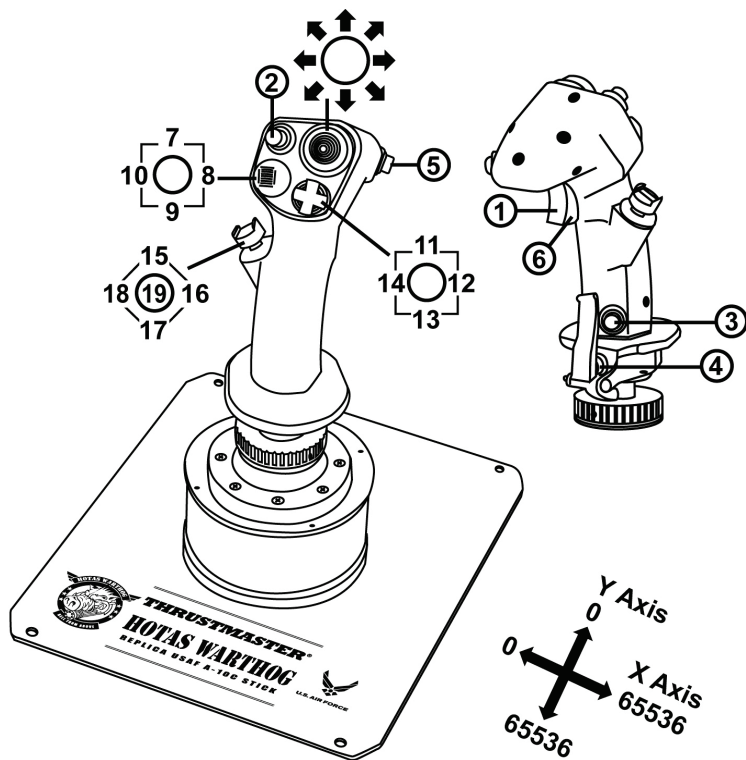
- Nueva e innovadora tecnología H.E.A.R.T HallEffect AccuRate Technology(\*):
  - sensores magnéticos 3D (Hall Effect) en los 2 mandos de potencia
  - resolución de 14 bits (16384 valores) en cada mando de potencia
- Conexión USB con firmware actualizable
- Mandos de potencia duales, que incorporan:
  - reposamanos metálico
  - sistema de bloqueo
  - sistema de fricción ajustable
  - detentor IDLE realista con sistema "Pull & Push"(\*)
  - detentor AFTERBURNER realista y desconectable con sistema "Pull & Push"(\*)
  - presión realista en botones e interruptores
  - 17 botones de acción en total + 1 hat switch ratón con botón pulsador + un hat switch "punto de vista" de 8 direcciones:
    - . 1 x hat switch ratón con botón pulsador y sensor magnético 3D (Hall Effect)
    - . 1 x hat switch de 8 direcciones
    - . 1 x hat switch de 4 direcciones con botón pulsador
    - . 1 x botón pulsador
    - . 1 x interruptor de 3 posiciones (2 momentáneas + 1 permanente)
    - . 2 x interruptores de 3 posiciones (3 permanentes)
    - . 1 x interruptor de 3 posiciones (1 momentánea + 2 permanentes)

(\*) *Pendiente de patente.*

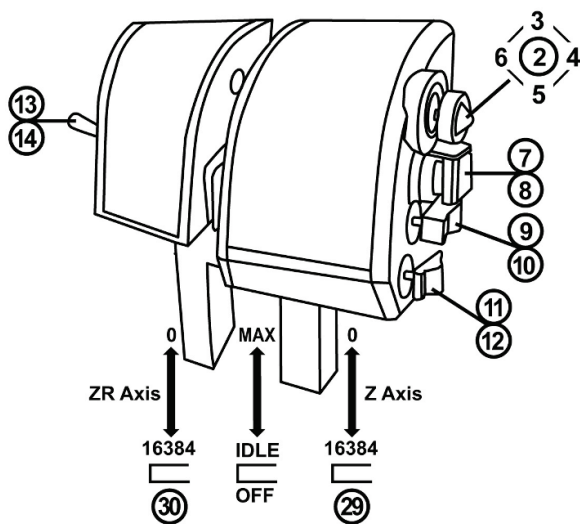
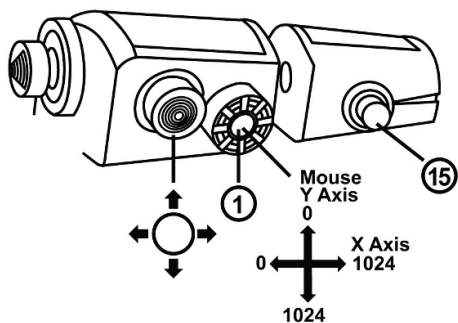
(\*\*) *HOTAS™ es una marca comercial de Guillemot Corporation S.A.*

## CONFIGURACIÓN DE LOS BOTONES Y LOS EJES

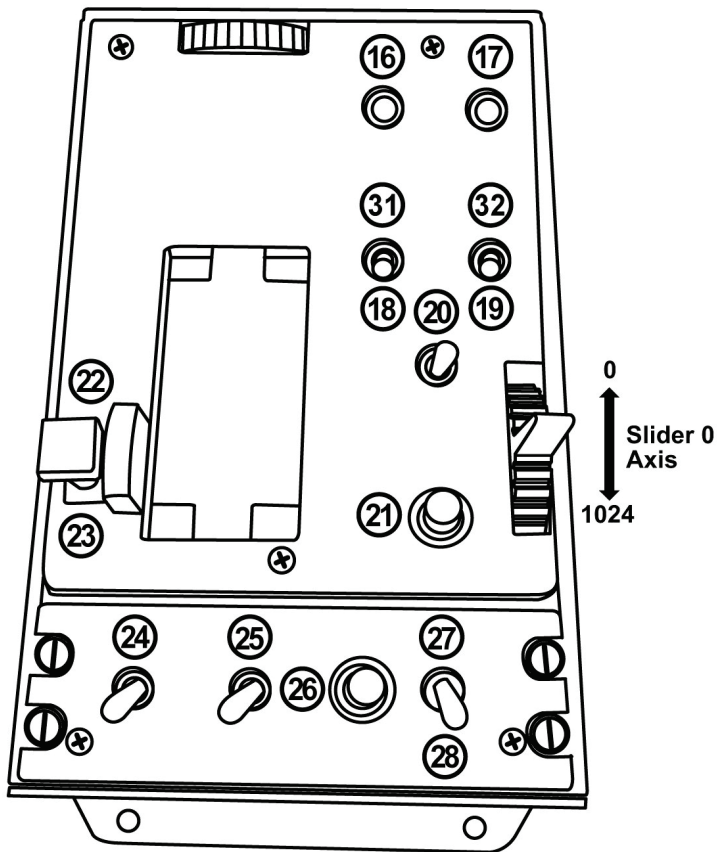
En el JOYSTICK:



En el MANDO DE POTENCIA:

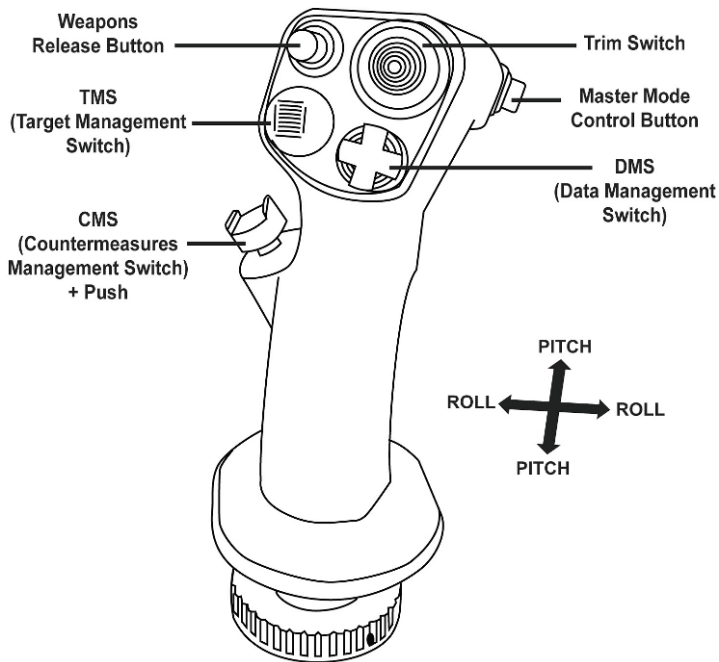


En el PANEL DE CONTROL:



## FUNCIONES DEL AVIÓN "A-10C"

En el JOYSTICK:



ENGLISH

Français

DEUTSCH

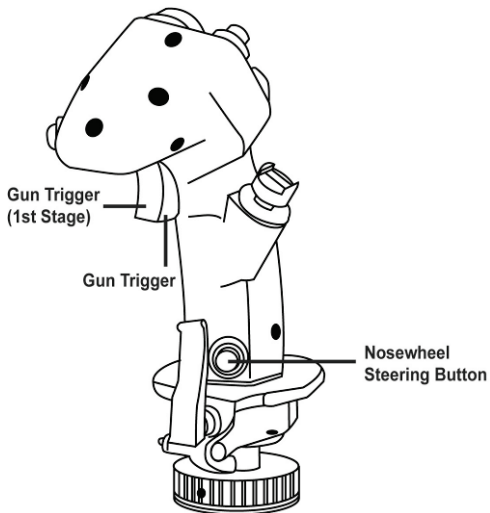
NEDERLANDS

ITALIANO

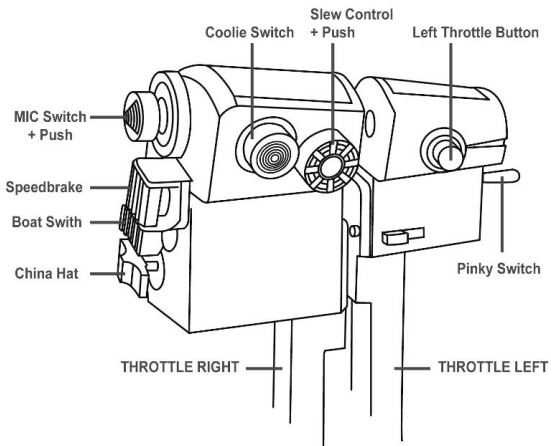
ESPAÑOL

PORTUGUÊS

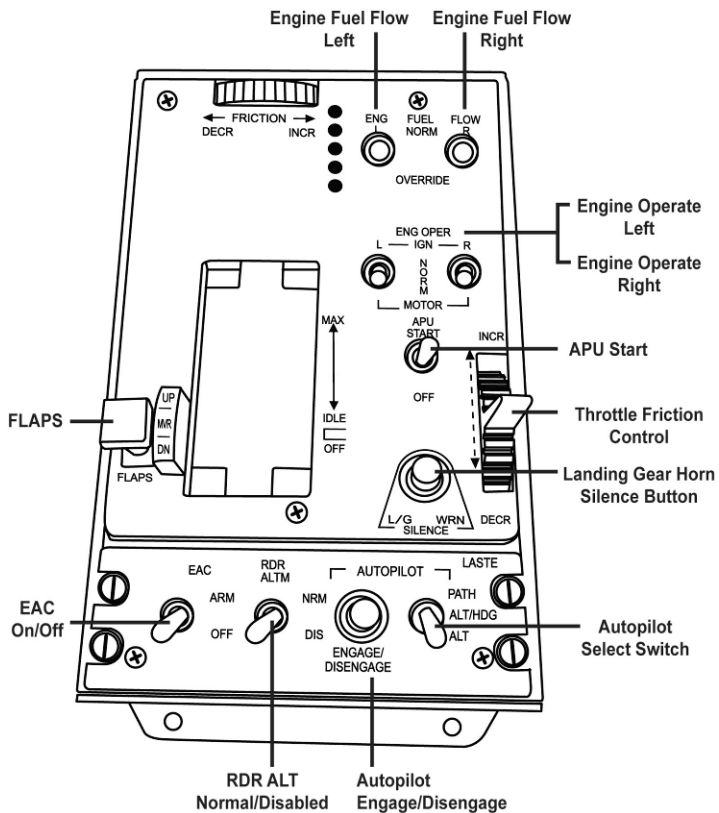
РУССКИЙ



En el MANDO DE POTENCIA:



En el PANEL DE CONTROL:



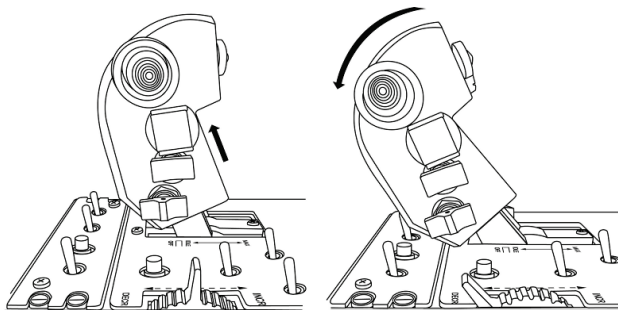


## DETENTORES REALISTAS DE IDLE Y AFTERBURNER

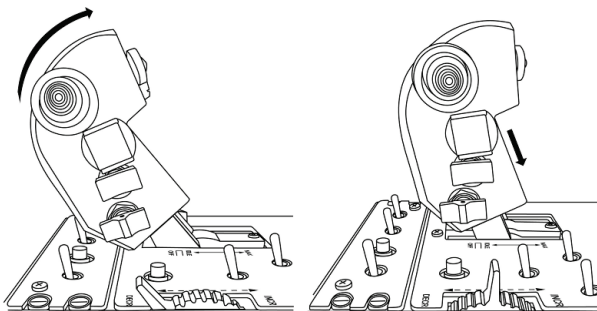
El mando de potencia del HOTAS Warthog incorpora sistemas realistas de RALENTÍ y POSTCOMBUSTIÓN (el sistema de POSTCOMBUSTIÓN es desconectable).

### IDLE:

Cuando se pone en IDLE: para cortar los motores del avión (en juegos compatibles), levanta ligeramente las palancas de potencia (para superar la parada) y pon las palancas de potencia en la posición OFF.

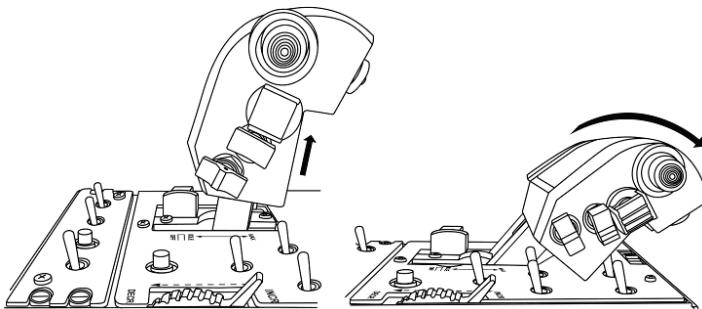


Para volver a aplicar potencia a los motores, basta con que empujes las palancas de potencia hacia delante (y luego ligeramente hacia abajo), a la posición IDLE.



## AFTERBURNER:

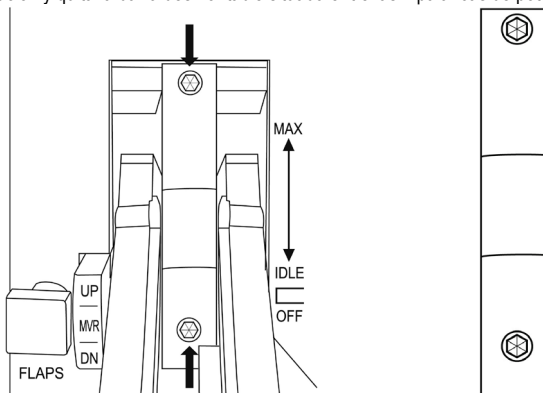
Cuando esté colocado el tope del módulo de AFTERBURNER, levanta ligeramente las palancas de potencia (para superar la parada) y empujalas hacia delante.



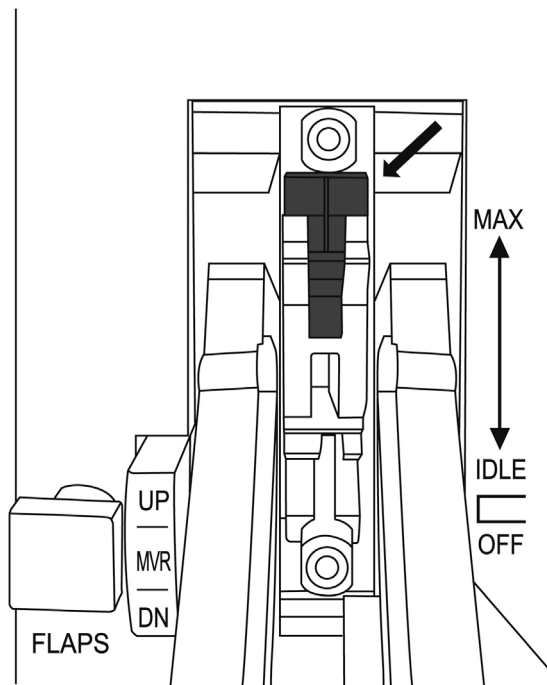
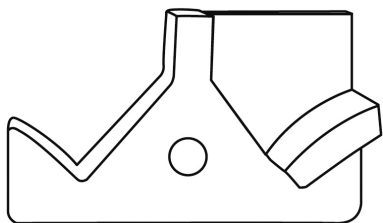
## INSTALACIÓN/DESINSTALACIÓN DEL TOPE DE AFTERBURNER:

*(De forma predeterminada, el tope del módulo de AFTERBURNER no está instalado).*

- Utilizando la llave Allen incluida, desatornilla los 2 tornillos según se muestra a continuación y quita la barra desmontable situada entre las 2 palancas de potencia.

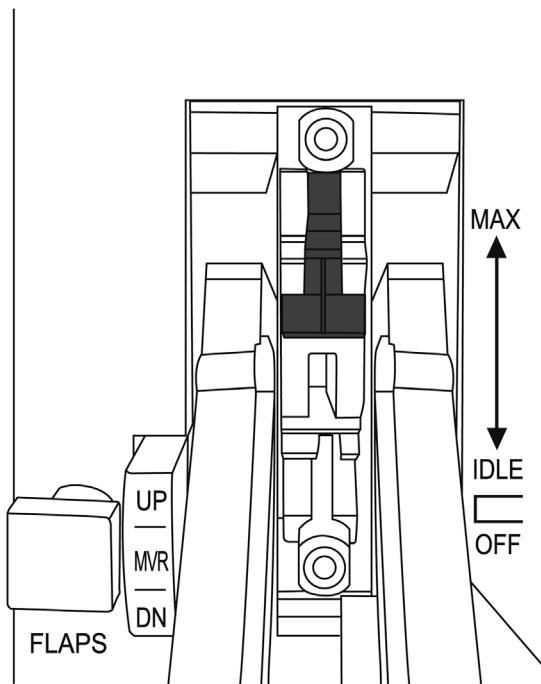


- Quita el módulo de AFTERBURNER, situado debajo de la barra desmontable:



(En esta posición, el tope de AFTERBURNER está deshabilitado)

- Dale la vuelta al módulo y vuélvelo a colocar en su sitio:



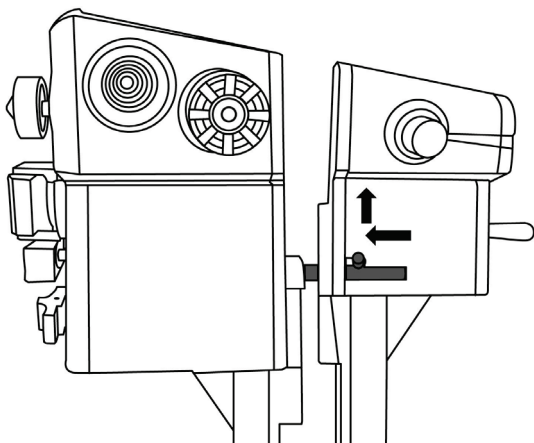
**(En esta posición, el tope de AFTERBURNER está habilitado)**

- Coloca la barra desmontable entre las 2 palancas de potencia y, a continuación, vuelve a colocar y apretar los 2 tornillos.

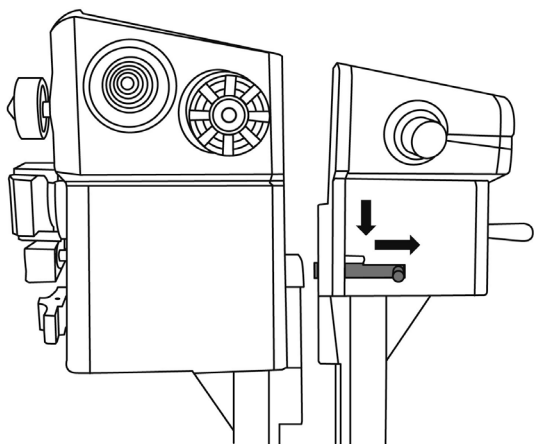
**NOTA IMPORTANTE:** Para evitar dañar el módulo de AFTERBURNER, nunca debes utilizar las palancas de potencia sin tener instalada correctamente la barra desmontable (utilizando los 2 tornillos) entre las 2 palancas de potencia.

## UNIR/SEPARAR LAS 2 PALANCAS DE POTENCIA

Para unir las palancas de potencia:



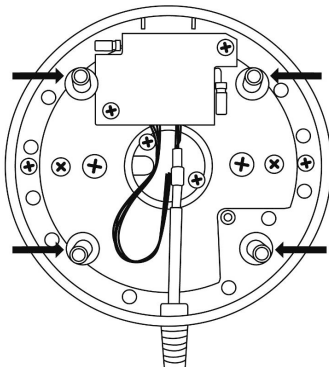
Para separar las palancas de potencia:



## INSTALACIÓN DEL JOYSTICK EN UNA CABINA O EN OTRO SOPORTE FIJO

Para colocar el joystick en una cabina:

- Desatornilla los 4 tornillos situados debajo de la placa de la base metálica y quítala.
- Utiliza las 4 roscas de tornillo situadas en la cara inferior del joystick para sujetar el joystick directamente al soporte fijo.



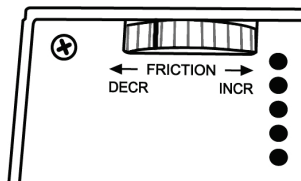
También puedes utilizar los 4 agujeros situados en las esquinas de las placas de la base metálica del joystick y el mando de potencia para fijar ambos elementos a un soporte fijo.

## SISTEMA DE FRICCIÓN AJUSTABLE DEL MANDO DE POTENCIA

- Para aumentar la fricción: gira la rueda hacia la derecha.
- Para reducir la fricción: gira la rueda hacia la izquierda.

NOTAS IMPORTANTES:

- En los mandos de potencia duales, la fricción está ajustada al valor mínimo de forma predeterminada.
- Para lograr un ajuste preciso según tus preferencias, para pasar de la fricción mínima a la máxima se necesitan aproximadamente diez giros completos.
- Si es necesario, puedes utilizar la marca blanca que hay en la rueda para contar los giros.



## **COMPATIBILIDAD HACIA ATRÁS**

La nueva palanca "HOTAS Warthog" es compatible hacia atrás con la base del "HOTAS Cougar" (y viceversa).

Lo único que no funcionará será el botón pulsador CMS (botón 19), puesto que no aparecía originalmente en el HOTAS Cougar.

## **RETROILUMINACIÓN DEL PANEL DE CONTROL**

La intensidad de la retroiluminación del panel de control se puede ajustar directamente mediante T.A.R.G.E.T (Thrustmaster Advanced pRogramming Graphical EdiTor). Hay disponibles cinco niveles de intensidad diferentes: desde 1 (intensidad mínima) hasta 5 (intensidad máxima) y el nivel predeterminado es 2.

## **GESTIÓN DE LOS 5 LED PROGRAMABLES**

Los 5 LED programables del Panel de control se pueden gestionar directamente mediante T.A.R.G.E.T. (Thrustmaster Advanced pRogramming Graphical EdiTor).

### **Información de garantía al consumidor**

En todo el mundo, Guillemot Corporation S.A., cuyo domicilio legal se encuentra en Place du Granier, B.P. 97143, 35571 Chantepie, Francia (en lo sucesivo "Guillemot") garantiza al consumidor que este producto de Thrustmaster estará libre de defectos de materiales y mano de obra, durante un período de garantía que corresponde al límite de tiempo para interponer una acción legal referida a la conformidad en relación con este producto. En los países de la Unión Europea, esto corresponde a un período de dos (2) años a partir de la entrega del producto de Thrustmaster. En otros países, el período de garantía corresponde al límite de tiempo para interponer una acción legal referida a la conformidad en relación con este producto de Thrustmaster según las leyes aplicables del país en el que el consumidor estuviese domiciliado en la fecha de compra del producto de Thrustmaster (si no existiese una acción similar en el país correspondiente, entonces el período de garantía será de un (1) año a partir de la fecha de compra original del producto de Thrustmaster).

A pesar de lo anterior, las baterías recargables están cubiertas por un período de garantía de seis (6) meses a partir de la fecha de compra original.

Si el producto resultase defectuoso durante el período de garantía, hay que ponerse en contacto inmediatamente con el Soporte Técnico, que indicará el procedimiento a seguir. Si se confirma el defecto, el producto debe devolverse a su lugar de compra (o a cualquier otra ubicación indicada por el Soporte Técnico).

Dentro del contexto de esta garantía, el producto defectuoso del consumidor será sustituido o restaurado su funcionamiento correcto. Si, durante el período de garantía, el producto de Thrustmaster fuese sometido a dicho reacondicionamiento, cualquier período de cómo mínimo siete (7) días durante el que el producto no se pueda usar se añadirá al período de garantía restante (este período va desde la fecha de petición de intervención del consumidor o desde la fecha en la que el producto se entrega para el reacondicionamiento, si la fecha en la que el producto se entrega para el reacondicionamiento fuese posterior a la fecha de la petición de intervención). Si la ley aplicable lo permite, toda la responsabilidad de Guillemot y sus filiales (incluso por daños resultantes) se limita a la restauración del funcionamiento correcto o la sustitución del producto de Thrustmaster. Si la ley aplicable lo permite, Guillemot renuncia a todas las garantías de comerciabilidad o adecuación para un propósito determinado.

Esta garantía no se aplicará: (1) si el producto ha sido modificado, abierto, alterado o ha sufrido daños como resultado de un uso inapropiado o abuso, negligencia, accidente, desgaste normal, o cualquier otra causa no relacionada con un defecto de materiales o fabricación (incluyendo, pero no de forma exclusiva, la combinación del producto de Thrustmaster con cualquier elemento no adecuado, incluyendo en particular fuentes de alimentación, baterías recargables, cargadores o cualquier otro elemento no suministrado por Guillemot para este producto); (2) si el producto se ha empleado para otro uso distinto del doméstico, incluyendo fines profesionales o comerciales (salones de juego, entrenamiento, competiciones, por ejemplo); (3) en caso de incumplimiento de las instrucciones proporcionadas por el Soporte Técnico; (4) a software, es decir software sujeto a una garantía específica; (5) a consumibles (elementos que se tienen que reemplazar a lo largo de la vida del producto: por ejemplo, baterías desechables o almohadillas para auriculares de audio); (6) a accesorios (por ejemplo, cables, cajas, bolsas, bolsos o muñequeras); (7) si el producto se ha vendido en una subasta pública.

Esta garantía no es transferible.

Los derechos legales del consumidor en relación con las leyes aplicables a la venta de productos de consumo de su país no se ven afectados por esta garantía.

### Provisiones de garantía adicionales

Durante el período de garantía, Guillemot no proporcionará, en principio, ninguna pieza de repuesto, ya que el Soporte Técnico es el único autorizado para abrir y/o reacondicionar los productos de Thrustmaster (con la excepción de los procedimientos de reacondicionamiento que el Soporte técnico puede solicitar que lleve a cabo el consumidor, mediante instrucciones por escrito – por ejemplo, debido a la simplicidad y la falta de confidencialidad del proceso de reacondicionamiento – y suministrando al consumidor las piezas de repuesto necesarias, si hiciese falta).

Debido a sus ciclos de innovación y para proteger su know-how y secretos comerciales, Guillemot no proporcionará, en principio, ninguna pieza de repuesto ni instrucciones de reacondicionamiento para los productos de Thrustmaster cuyo período de garantía haya vencido.

En los Estados Unidos de América y en Canadá, esta garantía está limitada al mecanismo interno del producto y al alojamiento externo. En ningún caso, Guillemot ni sus filiales serán responsables ante terceros por daños resultantes o fortuitos resultado del incumplimiento de cualquier garantía expresa o implícita. En algunos estados o provincias no se permite la limitación de la duración de una garantía implícita ni la exclusión o limitación de responsabilidad por daños resultantes o fortuitos, por lo que las limitaciones o exclusiones anteriores pueden no ser aplicables. Esta garantía ofrece derechos legales específicos al consumidor, que también puede tener otros derechos que pueden variar de un estado a otro o de una provincia a otra.

### Responsabilidad

Si la ley aplicable lo permite, Guillemot Corporation S.A. (en lo sucesivo "Guillemot") y sus filiales renuncian a toda responsabilidad por los daños causados por uno o más de los siguientes motivos: (1) el producto ha sido modificado, abierto o alterado; (2) incumplimiento de las instrucciones de montaje; (3) uso inapropiado o abuso, negligencia, accidente (un impacto, por ejemplo); (4) desgaste normal; (5) el producto se ha empleado para otro uso distinto del doméstico, incluyendo fines profesionales o comerciales (salones de juego, entrenamiento, competiciones, por ejemplo). Si la ley aplicable lo permite, Guillemot y sus filiales renuncian a toda responsabilidad por los daños no relacionados con defectos de materiales o fabricación en relación con el producto (incluyendo, pero no de forma exclusiva, los daños causados de forma directa o indirecta por cualquier software, o por combinar el producto de Thrustmaster con cualquier elemento no adecuado, incluyendo en particular fuentes de alimentación, baterías recargables, cargadores o cualquier otro elemento no suministrado por Guillemot para este producto).



## COPYRIGHT

© 2017 Guillemot Corporation S.A. Todos los derechos reservados. Thrustmaster® es una marca registrada de Guillemot Corporation S.A. Windows® es una marca registrada de Microsoft Corporation en Estados Unidos y/o en otros países. Todas las demás marcas son propiedad de sus respectivos dueños. Ilustraciones no definitivas. El contenido, la concepción y las especificaciones son susceptibles de cambiar sin previo aviso y varían según el país. Fabricado en China.

## RECOMENDACIÓN DE PROTECCIÓN AMBIENTAL



\* En la Unión Europea: Al terminar su vida útil, este producto no debe tirarse en un contenedor de basuras estándar, sino que debe dejarse en un punto de recogida de desechos eléctricos y equipamiento electrónico para ser reciclado.

Esto viene confirmado por el símbolo que se encuentra en el producto, manual del usuario o embalaje.

Dependiendo de sus características, los materiales pueden reciclarse. Mediante el reciclaje y otras formas de procesamiento de los desechos eléctricos y el equipamiento electrónico puedes contribuir de forma significativa a ayudar a proteger el medio ambiente.

Contacta con las autoridades locales para más información sobre el punto de recogida más cercano. Para los demás países: cumple las leyes locales sobre reciclaje de equipos eléctricos y electrónicos.

Esta información debe conservarse. Los colores y motivos decorativos pueden variar.

Los adhesivos y los cierres de plástico se deben quitar del producto antes de utilizarlo.

Este producto cumple con todas las normas relativas a los niños de más de 16 años. No es recomendable para niños de menos de 16 años.

[www.thrustmaster.com](http://www.thrustmaster.com)

*\*Aplicable únicamente a la UE y Turquía*



**THRUSTMASTER®**

**SOPORTE TÉCNICO**

<http://support.thrustmaster.com>

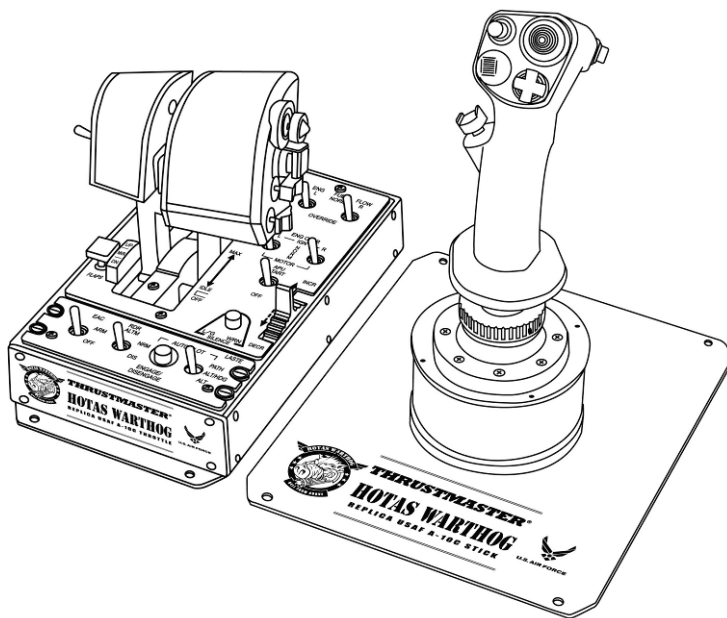


# HOTAS WARTHOG



Compatível: PC

Manual do Utilizador do Hardware



ENGLISH

FRANÇAIS

DEUTSCH

NEDELANDS

ITALIANO

ESPAÑOL

PORTUGUÊS

PYCKKÑÑ

**Réplica do sistema de controlo de voo HOTAS™(\*\*) (Hands On Throttle And Stick) do avião de ataque A-10C da U.S. Air Force, que inclui:**

### **1 Réplica da MANCHE**

- Nova e inovadora H.E.A.R.T HallEffect AccuRate Technology(\*):
  - Sensores magnéticos 3D (Hall Effect) na coluna
  - Resolução de 16 bits (65.536 x 65.536 valores)
  - Sistema de 5 molas helicoidais(\*)
- Ligação USB com firmware actualizável
- Base superestável com contrapeso (mais de 3 kg)
- Novo manípulo destacável, totalmente construído em metal:
  - igualmente compatível com o manípulo do HOTAS COUGAR™ (e vice-versa)
  - réplica com nova forma
  - chapa de metal destacável para utilização na secretária ou ao estilo "cockpit"
  - pressão nova e realista nos botões e gatilho
  - 19 botões de acção no total + 1 hat switch de "ponto de vista" de 8 vias:
    - . 1 x hat switch de "ponto de vista" de 8 vias
    - . 2 x hat switches de 8 vias
    - . 1 x hat switch de 4 vias com botão de pressão
    - . 1 x gatilho de metal duplo
    - . 2 x botões de pressão
    - . 2 x botões de pressão para o dedo mindinho

### **1 Réplica do PAINEL DE CONTROLO**

- Base com contrapeso (mais de 3,5 kg) incorporada por baixo das manetes
- Funções retroiluminadas
- 5 LEDs programáveis
- Pressão realista nos botões e selectores
- 15 botões de acção no total + 1 roda TRIM:
  - . 1 x roda TRIM
  - . 2 x botões de pressão
  - . 5 x selectores de 2 posições (2 permanentes)
  - . 2 x selectores de 3 posições (1 momentânea + 2 permanentes)
  - . 2 x selectores de 3 posições (3 permanentes)

## Réplicas das MANETES DUPLAS

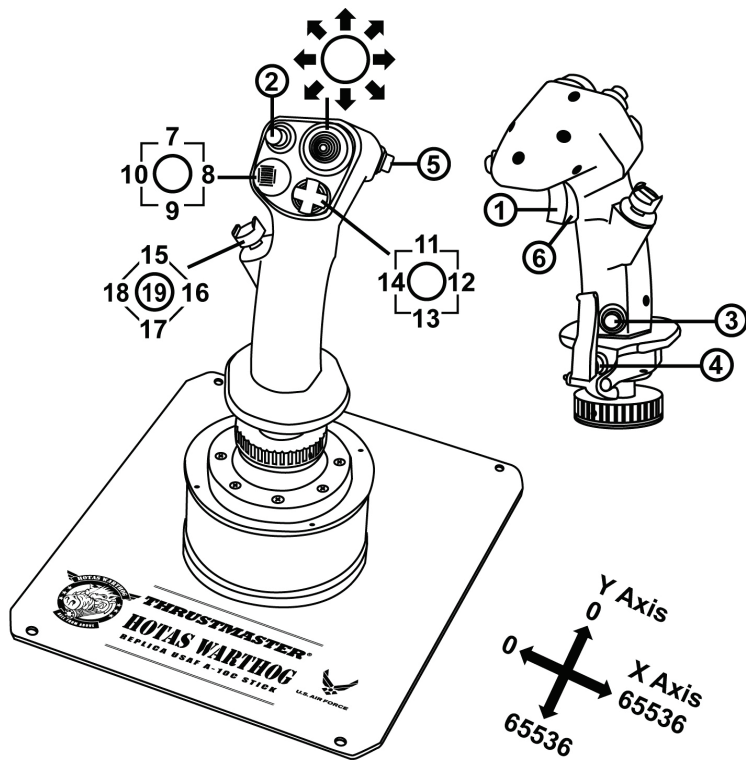
- Nova e inovadora H.E.A.R.T HallEffect AccuRate Technology(\*):
  - Sensores magnéticos 3D (Hall Effect) nas 2 manetes
  - Resolução de 14 bits (16.384 valores) em cada manete
- Ligação USB com firmware actualizável
- Manetes duplas, com:
  - descanso de metal para a mão
  - sistema de bloqueio
  - sistema de fricção ajustável
  - detentor IDLE realista com sistema "Pull & Push"(\*)
  - detentor AFTERBURNER realista e destacável com sistema "Pull & Push"(\*)
  - pressão realista nos botões e selectores
  - 17 botões de acção no total + 1 mouse hat com botão de pressão + 1 hat switch de "ponto de vista" de 8 vias:
    - . 1 x mouse hat com botão de pressão e sensor magnético 3D (Hall Effect)
    - . 1 x hat switch de 8 vias
    - . 1 x hat switch de 4 vias com botão de pressão
    - . 1 x botão de pressão
    - . 1 x selector de 3 posições (2 momentâneas + 1 permanente)
    - . 2 x selectores de 3 posições (3 permanentes)
    - . 1 x selector de 3 posições (1 momentânea + 2 permanentes)

(\*) *A aguardar patente.*

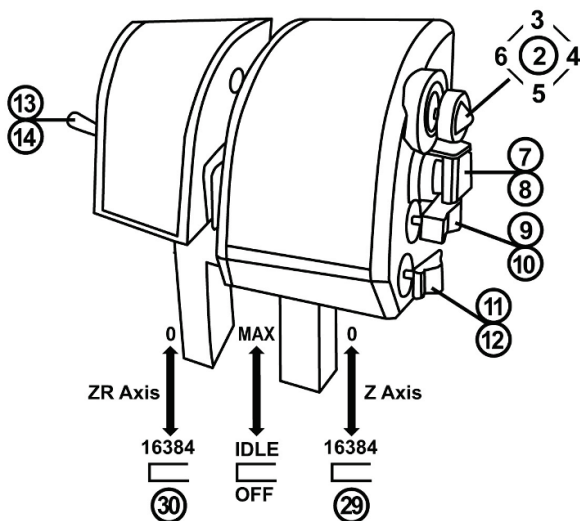
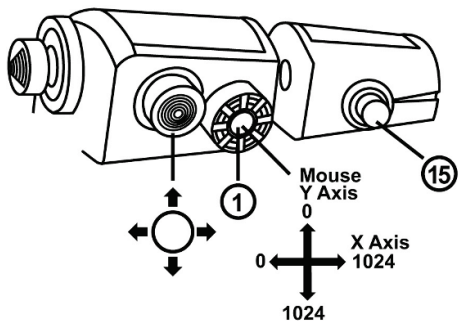
(\*\*) *HOTAS™ é uma marca comercial da Guillemot Corporation S.A.*

# CONFIGURAÇÃO DOS BOTÕES E EIXOS

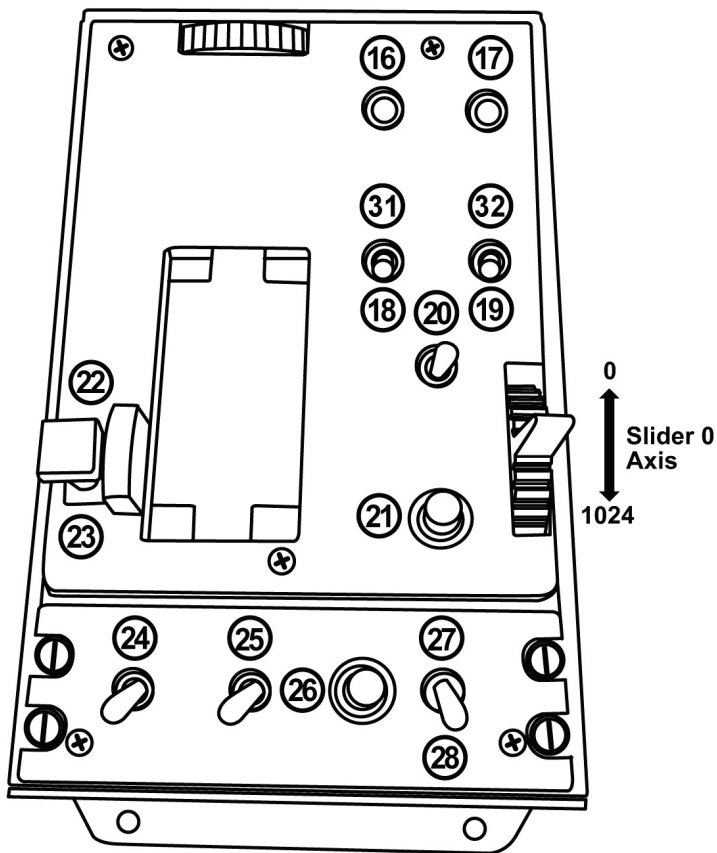
No JOYSTICK:



Na MANETE:

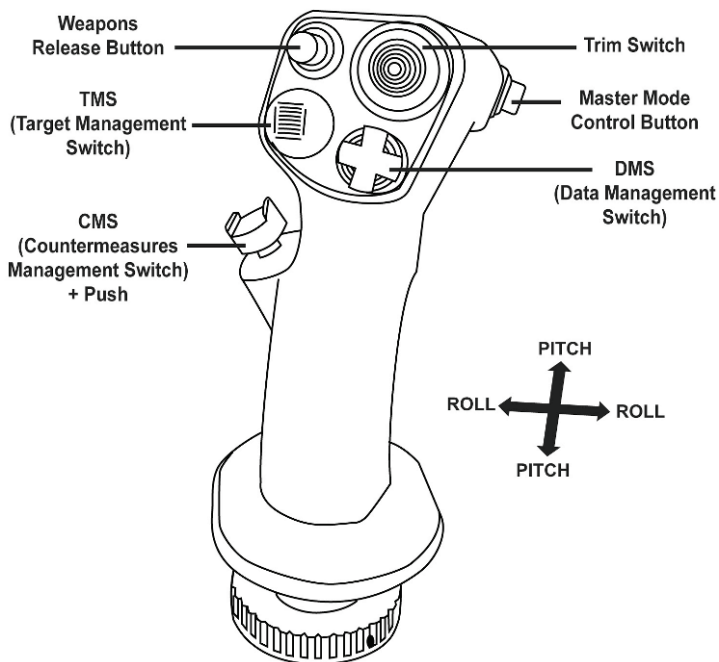


No PAINEL DE CONTROLO:



## FUNÇÕES DO AVIÃO "A-10C"

No JOYSTICK:



ENGLISH

FRANÇAIS

DEUTSCH

NEDERLANDS

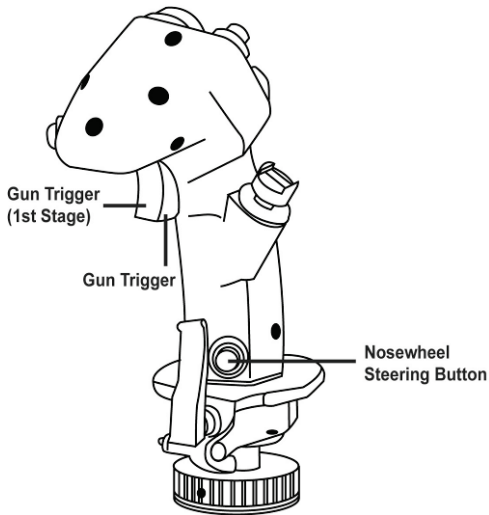
ITALIANO

ESPAÑOL

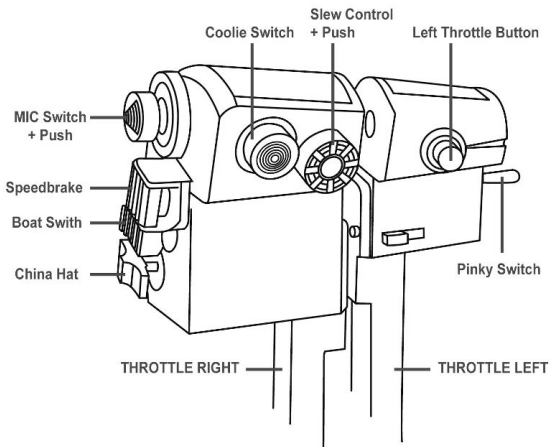
PORTUGUÊS

РУССКИЙ

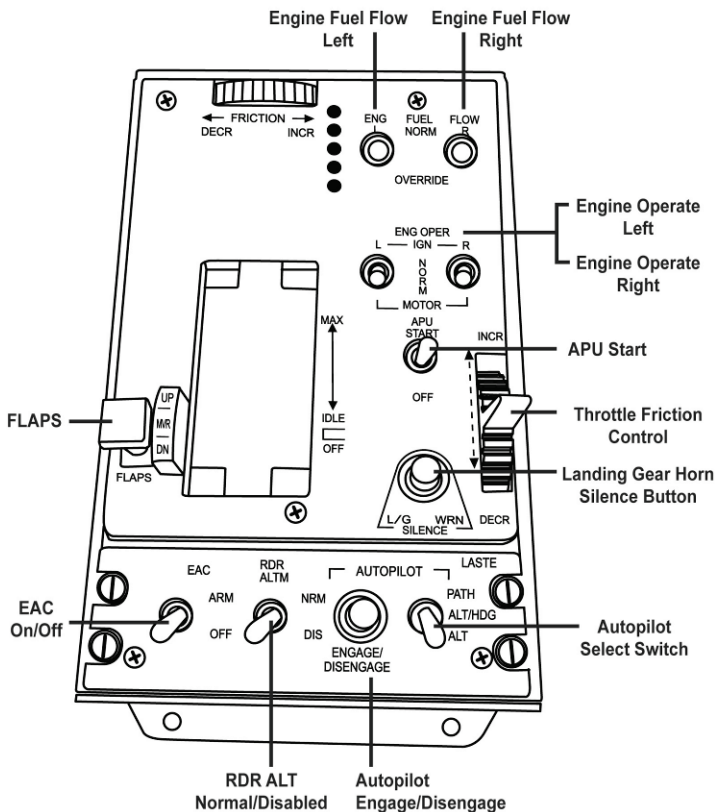




Na MANETE:



No PAINEL DE CONTROLO:

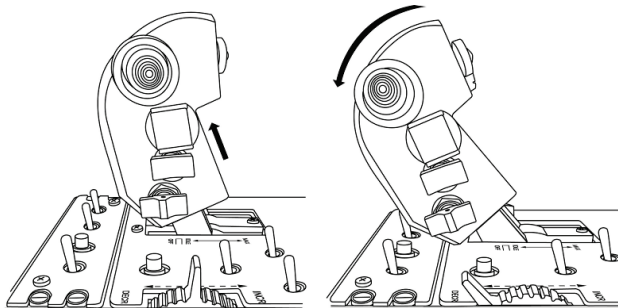


## DETENTORES IDLE E AFTERBURNER REALISTAS

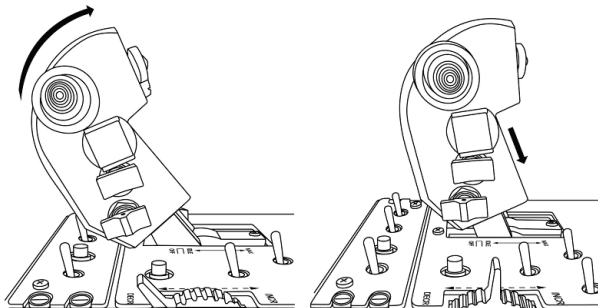
A manete do HOTAS Warthog possui sistemas realistas para detentores IDLE (RALENTI) e AFTERBURNER (PÓS-COMBUSTOR) (o sistema AFTERBURNER pode ser desactivado).

### IDLE:

Com IDLE seleccionado: para desligar os motores do avião (em jogos compatíveis), suba ligeiramente as alavancas da manete (a fim de compensar a paragem dos motores) e coloque-as na posição OFF.

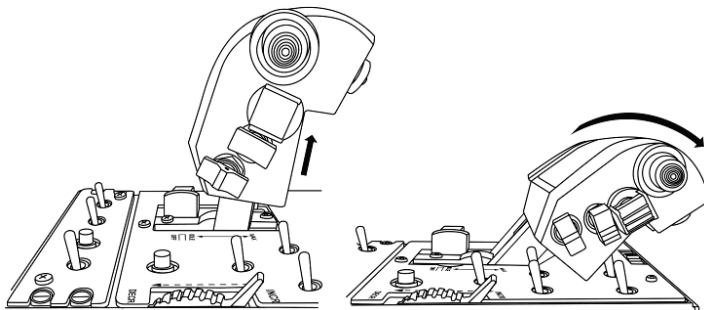


Para voltar a ligar os motores, basta empurrar as alavancas da manete para a frente (e depois ligeiramente para baixo), até à posição IDLE.



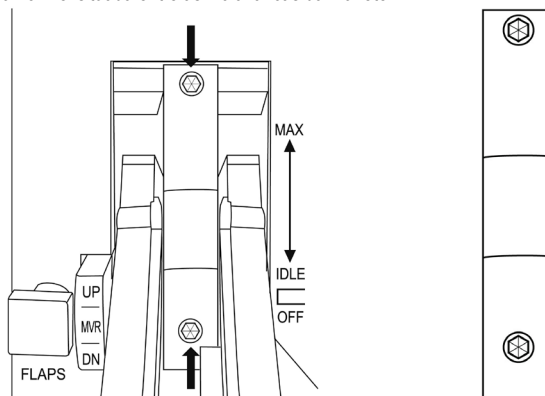
**AFTERBURNER:**

Com o retentor do módulo AFTERBURNER instalado, suba ligeiramente as alavancas da manete (a fim de compensar a paragem dos motores) e empurre-as para a frente.

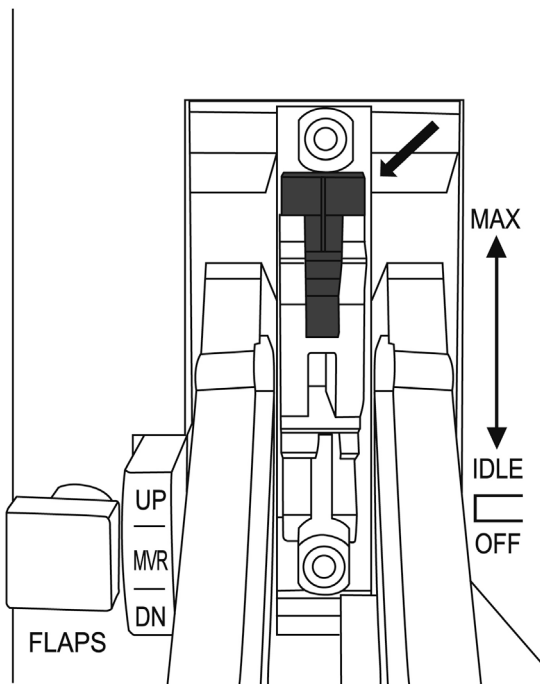
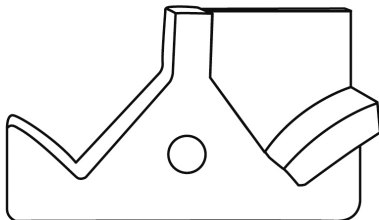
**INSTALAR/DESINSTALAR O RETENTOR DO MÓDULO AFTERBURNER:**

(Por predefinição, o retentor do módulo AFTERBURNER não está instalado).

- Com a chave Allen incluída, desaperte os 2 parafusos conforme se mostra abaixo e retire a barra amovível situada entre as 2 alavancas da manete.

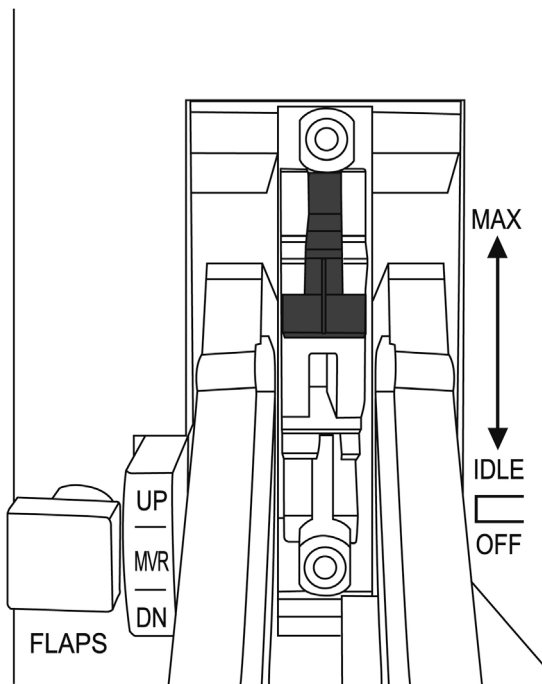


- Retire o módulo AFTERBURNER, situado por baixo da barra amovível:



(Nesta posição, o retentor do módulo AFTERBURNER está desactivado)

- Vire o módulo ao contrário e volte a colocá-lo no sítio:



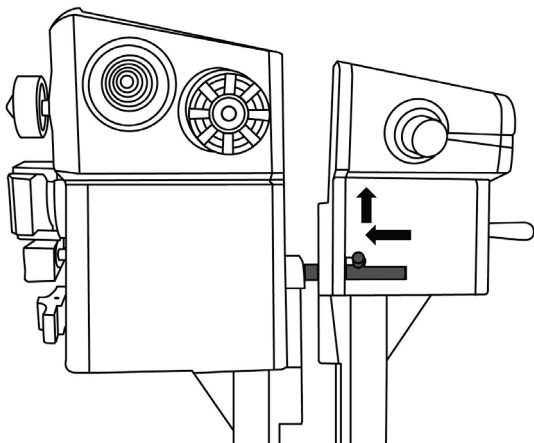
**(Nesta posição, o retentor do módulo AFTERBURNER está activado)**

- Coloque a barra amovível entre as 2 alavancas da manete e reaperte os 2 parafusos.

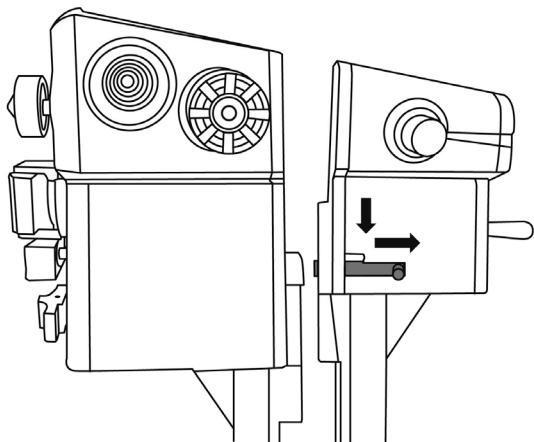
**NOTA IMPORTANTE:** Para evitar quaisquer danos eventuais no módulo AFTERBURNER, nunca utilize as alavancas da manete sem a barra amovível devidamente instalada (com os 2 parafusos) entre as mesmas.

## UNIR/SEPARAR AS 2 ALAVANCAS DA MANETE

Para unir as alavancas da manete:



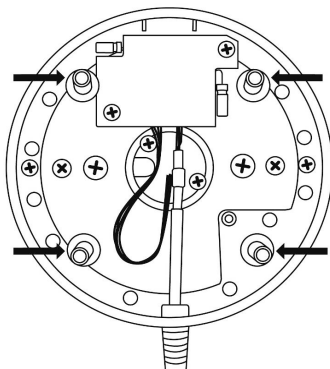
Para separar as alavancas da manete:



## INSTALAR O JOYSTICK NUM COCKPIT OU NOUTRO SUPORTE FIXO

### Para ligar o joystick a um cockpit:

- Desaperte os 4 parafusos situados por baixo da base de metal do joystick e retire esta.
- Utilize as 4 roscas situadas na parte inferior do joystick para prender o joystick directamente ao suporte fixo.



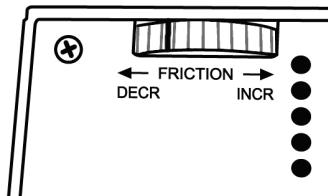
Também pode utilizar os 4 furos situados nos cantos da base de metal do joystick e da manete para prender ambos os elementos a um suporte fixo.

## SISTEMA DE FRICÇÃO AJUSTÁVEL DA MANETE

- Para aumentar a fricção: rode a roda para a direita.
- Para diminuir a fricção: rode a roda para a esquerda.

### NOTAS IMPORTANTES:

- A fricção na manete dupla encontra-se predefinida no valor mínimo.
- Para permitir uma regulação precisa de acordo com as suas preferências, são necessárias aproximadamente dez voltas completas para ir desde a fricção mínima até à fricção máxima.
- Se necessário, utilize a marca branca existente na roda para o ajudar a contar as voltas.





## **RETROCOMPATIBILIDADE**

O novo manípulo “HOTAS Warthog” é retrocompatível com a base do “HOTAS Cougar” (e vice-versa).

Apenas o botão de pressão CMS (botão 19) não funciona, uma vez que não fazia parte originalmente do HOTAS Cougar.

## **RETROILUMINAÇÃO DO PAINEL DE CONTROLO**

É possível regular a intensidade da retroiluminação do painel de controlo directamente via T.A.R.G.E.T (Thrustmaster Advanced pRogramming Graphical EdiTor). Há cinco níveis de intensidade diferentes disponíveis: desde 1 (intensidade mínima) até 5 (intensidade máxima), sendo 2 o nível predefinido.

## **GESTÃO DOS 5 LED PROGRAMÁVEIS**

Pode gerir os 5 LED programáveis do Painel de Controlo directamente via T.A.R.G.E.T. (Thrustmaster Advanced pRogramming Graphical EdiTor).

### **Informações sobre a garantia para o consumidor**

A Guillemot Corporation S.A., com sede social sita em Place du Granier, B.P. 97143, 35571 Chantepie, França (a seguir designada como “Guillemot”) garante a nível mundial ao consumidor que este produto Thrustmaster está livre de defeitos em termos de materiais e fabrico durante um período de garantia que corresponde ao limite de tempo para intentar uma ação de conformidade relativamente a este produto. Nos países da União Europeia, isto corresponde a um período de dois (2) anos desde a entrega do produto Thrustmaster. Noutros países, o período de garantia corresponde ao limite de tempo para intentar uma ação de conformidade relativamente ao produto Thrustmaster de acordo com a legislação em vigor do país no qual o consumidor residia à data de compra do produto Thrustmaster (se a dita ação não existir no país correspondente, então o período de garantia será de um (1) ano a partir da data de compra original do produto Thrustmaster.

Não obstante o supracitado, as baterias recarregáveis estão cobertas por um período de garantia de seis (6) meses a partir da data de compra original.

No caso de o produto apresentar algum defeito durante o período da garantia, contacte imediatamente o Suporte Técnico, que lhe indicará o procedimento a tomar. Se esse defeito se confirmar, o produto terá de ser devolvido ao respetivo local de compra (ou qualquer outro local indicado pelo Suporte Técnico).

No âmbito da presente garantia, e por opção do Suporte Técnico, o produto defeituoso do consumidor será substituído ou reparado. Se, durante o período da garantia, o produto Thrustmaster for submetido à dita reparação, qualquer período mínimo de (7) dias durante o qual o produto estiver fora de serviço será adicionado ao período da garantia restante (este período decorre desde a data do pedido intervenção pelo consumidor ou desde a data em que o produto em questão é disponibilizado para reparação, se a data em que o produto é disponibilizado para reparação for posterior à data do pedido de intervenção). Se for permitido pela legislação em vigor, a responsabilidade total da Guillemot e das respetivas filiais (incluindo para danos indiretos) está limitada à reparação ou à substituição do produto Thrustmaster. Se for permitido pela legislação em vigor, a Guillemot rejeita todas as garantias de comercialização ou adequação a um fim específico.

A presente garantia não se aplicará: (1) se o produto tiver sido modificado, aberto, alterado ou danificado em resultado de utilização inadequada ou abusiva, negligência, acidente, desgaste normal ou qualquer outra casa relacionada com um defeito de material ou fabrico (incluindo, mas sem limitação, qualquer produto Thrustmaster com qualquer elemento inadequado, incluindo, em particular, fontes de alimentação, baterias recarregáveis, carregadores ou quaisquer outros elementos não fornecidos pela Guillemot para este produto); (2) se o produto tiver sido utilizado fora do âmbito da utilização doméstica, incluindo para fins profissionais ou comerciais (salas de jogos, treino e competições, por exemplo); (3) na eventualidade de incumprimento das instruções fornecidas pelo Suporte Técnico; (4) a software, estando o mesmo sujeito a uma garantia específica; (5) a consumíveis (elementos para substituir ao longo da vida útil do produto: baterias descartáveis, auscultadores de áudio ou auriculares de auscultadores, por exemplo); (6) a acessórios (cabos, estojos, bolsas, sacos e correias de pulso, por exemplo); (7) se o produto foi vendido num leilão público.

A presente garantia não é transmissível.

Os direitos legais do consumidor no que concerne à legislação aplicável à venda de bens de consumo no seu país não são afetados pela presente garantia.

### Disposições de garantia adicionais

Durante o período da garantia, a Guillemot não fornecerá, em princípio, quaisquer peças de substituição, uma vez que o Suporte Técnico é a única parte autorizada a abrir e/ou reparar qualquer produto Thrustmaster (à exceção de quaisquer procedimentos de reparação que o Suporte Técnico possa pedir ao consumidor para realizar, através de instruções por escrito – por exemplo, devido à simplicidade e à falta de confidencialidade do processo de reparação – e fornecendo ao consumidor a(s) peça(s) de substituição necessária(s), quando aplicável).

Tendo em conta os seus ciclos de inovação, e a fim de proteger o seu *know-how* e segredos comerciais, a Guillemot não fornecerá, em princípio, qualquer notificação de reparação ou peças de substituição para produtos Thrustmaster cujo período da garantia tenha expirado.

Nos Estados Unidos da América e no Canadá, a presente garantia está limitada ao mecanismo interno e à caixa do produto. Em nenhuma circunstância serão a Guillemot ou as respetivas filiais consideradas responsáveis perante terceiros por quaisquer danos indiretos ou acidentais resultantes da violação de quaisquer garantias expressas ou implícitas. Alguns estados/províncias não permitem a limitação da duração de uma garantia implícita ou a exclusão ou limitação de responsabilidade por danos indiretos ou acidentais, pelo que as limitações ou exclusões supracitadas podem não se aplicar a si. A presente garantia concede-lhe direitos legais específicos, podendo ter também outros direitos, que variam consoante o estado ou a província.

### Responsabilidade

Se for permitido ao abrigo da legislação aplicável, a Guillemot Corporation S.A. (a seguir designada “Guillemot”) e as respetivas filiais rejeitam qualquer responsabilidade por danos resultantes de uma ou mais das seguintes causas: (1) o produto foi modificado, aberto ou alterado; (2) incumprimento das instruções de montagem; (3) utilização inadequada ou abusiva, negligência ou acidente (um impacto, por exemplo); (4) desgaste normal; (5) utilização do produto fora do âmbito além da utilização doméstica, incluindo para fins profissionais ou comerciais (salas de jogos, treino e competições, por exemplo). Se for permitido ao abrigo da legislação aplicável, a Guillemot e as respetivas filiais rejeitam qualquer responsabilidade por danos relacionados com um defeito de material ou fabrico relativamente ao produto (incluindo, mas sem limitação, quaisquer danos causados direta ou indiretamente por qualquer software ou por combinar o produto Thrustmaster com qualquer elemento inadequado, incluindo, em particular, fontes de alimentação, baterias recarregáveis, carregadores ou quaisquer outros elementos não fornecidos pela Guillemot para este produto).

## DIREITOS DE AUTOR

© 2017 Guillemot Corporation S.A. Todos os direitos reservados. Thrustmaster® é uma marca registada da Guillemot Corporation S.A. Windows® é uma marca registada da Microsoft Corporation nos Estados Unidos e/ou noutros países. Todas as outras marcas comerciais são pertencem aos respectivos proprietários. As ilustrações não são vinculativas. Os conteúdos, desenhos e especificações estão sujeitos a alteração sem aviso prévio e podem variar de país para país. Fabricado na China.

## RECOMENDAÇÕES DE PROTECÇÃO AMBIENTAL



Na União Europeia: Quando este produto chegar ao fim da sua vida útil, não o elimine juntamente com os resíduos domésticos normais; em vez disso, deixe-o num ponto de recolha de resíduos de equipamento eléctrico e electrónico (REEE) para posterior reciclagem.

O símbolo presente no produto, no manual de utilizador ou na caixa confirma-o.

Os materiais podem ser reciclados, dependendo das suas características. Através da reciclagem e de outras formas de processamento de resíduos de equipamento eléctrico e electrónico, pode dar um importante contributo no sentido de ajudar a proteger o ambiente.

Contacte as autoridades locais para saber onde fica o ponto de recolha mais perto da sua área de residência.

Relativamente a todos os outros países: Respeite a legislação local sobre a reciclagem de equipamento eléctrico e electrónico.

Informações a reter. As cores e as decorações podem variar.

Os fechos e os adesivos devem ser removidos do produto antes da utilização.

Este produto está em conformidade com as normas relativas às crianças com mais de 16 anos de idade.

Não é recomendado às crianças com menos de 16 anos de idade.

**[www.thrustmaster.com](http://www.thrustmaster.com)**

*\*Aplicável apenas à União Europeia e Turquia*



**THRUSTMASTER®**

**SUPORE TÉCNICO**

<http://support.thrustmaster.com>

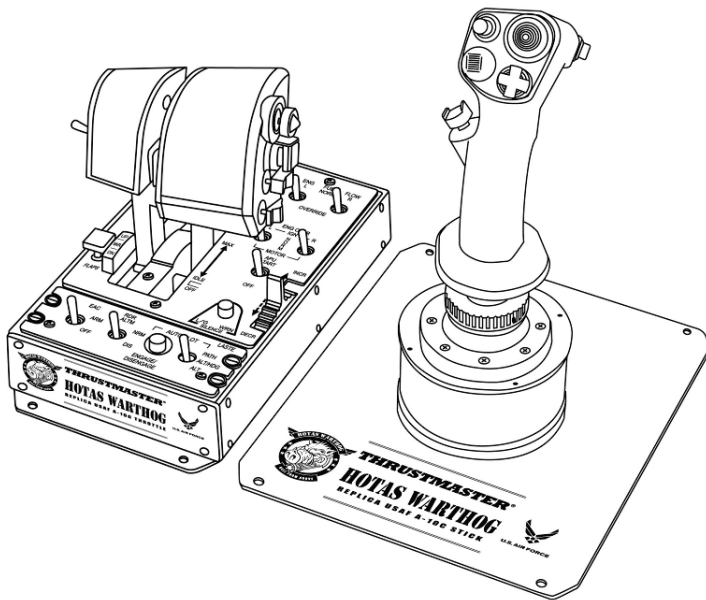


# HOTAS WARTHOG



Совместимый с ПК

Руководство пользователя  
по техническому обеспечению



ENGLISH

FRANÇAIS

DEUTSCH

NEDERLANDS

ITALIANO

ESPAÑOL

PORTUGUÊS

РУССКИЙ

## **В комплект реплики джойстика авиасимулятора HOTAS™(\*\*) (Hands On Throttle And Stick) штурмовика U.S. Air Force A-10C входит:**

### **1 ДЖОЙСТИК-реплика**

- Инновационная технология H.E.A.R.T HallEffect AccuRate Technology\*):
  - трехмерные магнитные сенсоры (Hall Effect), расположенные на рукоятке
  - решение в 16 бит (значения 65536 x 65536)
  - система с пятью цилиндрическими винтовыми пружинами(\*)
- USB подключение к расширяемому firmware
- Сверхустойчивое, утяжеленное основание (больше 3 кг)
- Новая съемная металлическая рукоятка:
  - также комбинируется с рукояткой HOTAS COUGAR™ (и наоборот)
  - новая форма реплики
  - съемная металлическая поверхность для стиля игры "стойка" или "кабина пилота"
  - новый дизайн кнопок и триггера, которые выглядят как настоящие
  - 19 командных кнопок + переключатель "Точка обзора" с 8 направлениями:
    - . 1 переключатель «Точка обзора» с 8 направлениями
    - . 2 переключателя с 8 направлениями
    - . 1 переключатель с 4 направлениями и кнопкой
    - . 1 металлический сдвоенный триггер
    - . 2 кнопки
    - . 2 кнопки для удобного управления мизинцем

### **1 реплика ПАНЕЛИ КОНТРОЛЯ**

- утяжеленное основание (больше 3,5 кг), оснащенное в нижней части рычагами управления двигателем
- функции подсветки
- 5 программируемых светодиодов
- кнопки и переключатели выглядят как настоящие
- 15 командных кнопок + руль TRIM:
  - . 1 руль TRIM
  - . 2 кнопки
  - . 5 выключателей с 2 позициями (2 постоянные позиции)
  - . 2 выключателей с 3 позициями (1 кратковременная + 2 постоянные позиции)
  - . 2 выключателей с 3 позициями (3 постоянные позиции)

## 2 реплики РЫЧАГОВ УПРАВЛЕНИЯ ДВИГАТЕЛЕМ

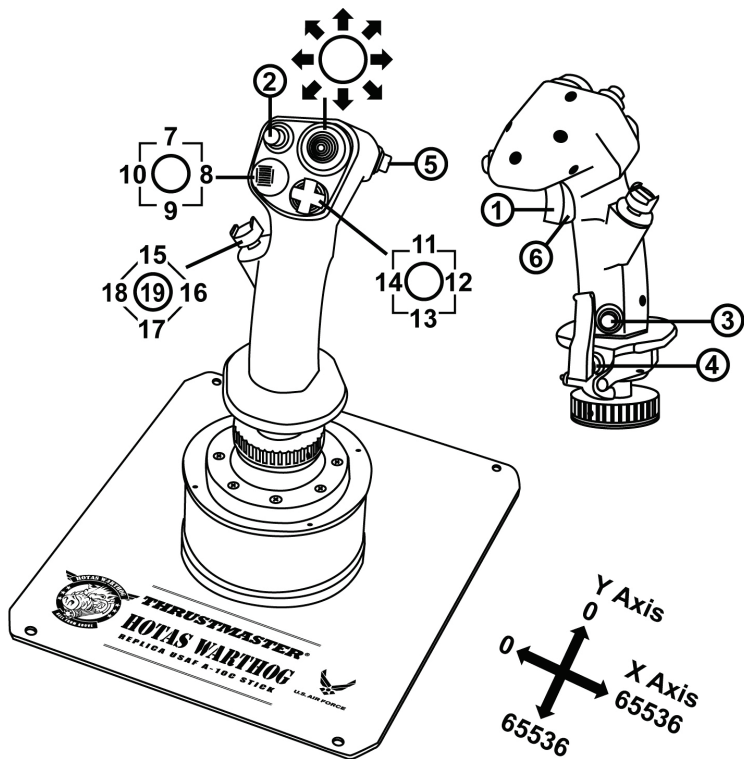
- Инновационная технология H.E.A.R.T HallEffect AccuRate Technology\*):
  - трехмерные магнитные сенсоры (Hall Effect), расположенные на 2 рычагах управления двигателем
  - решение в 14 бит (значения 16384) для каждого рычага управления двигателем
- USB-подключение к расширяемому аппаратно-программному обеспечению
- Сдвоенные рычаги управления двигателем оснащены:
  - металлическим ручным суппортом
  - системой блокировки
  - регулируемой фрикционной системой, которая обеспечивает устойчивость и равномерно распределяет напряжение, не создавая эффект мертвых зон
  - реалистичным стопором IDLE с системой "Pull & Push"(\*)
  - реалистичным разъемным стопором AFTERBURNER с системой "Pull & Push"(\*)
  - новым дизайном кнопок и переключателей, которые выглядят как настоящие
  - 17 командными кнопками + переключателем для управления мышью + переключатель "Точка обзора" с 8 направлениями:
    - . 1 переключателем для управления мышью с кнопкой и трехмерным магнитным сенсором (Hall Effect)
    - . 1 переключателем с 8 направлениями
    - . 1 переключателем с 4 направлениями и кнопкой
    - . 1 кнопкой
    - . 1 выключателем с 3 позициями (2 кратковременные позиции + 1 постоянная позиция)
    - . 2 выключателей с 3 позициями (3 постоянные позиции)
    - . 1 выключателем с 3 позициями (1 кратковременная + 2 постоянные позиции)

(\*) Защищен заявкой на патент.

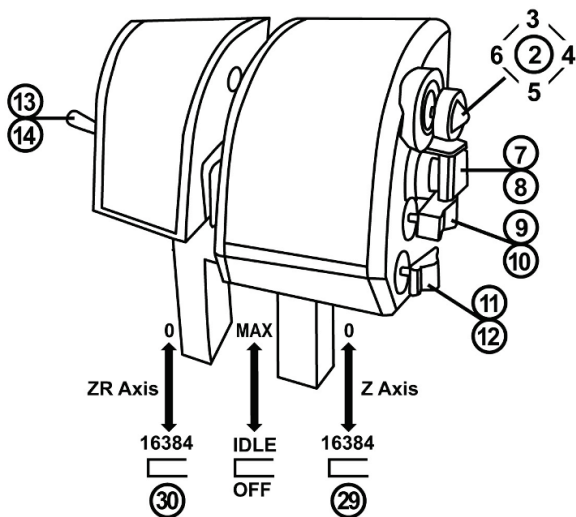
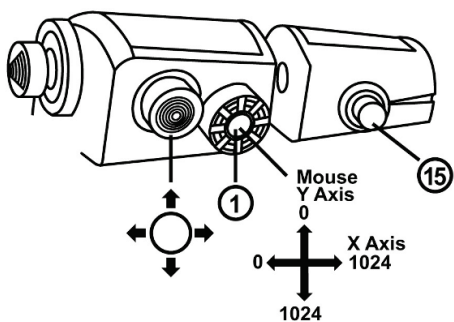
(\*\*) HOTAS™ является зарегистрированной торговой маркой Guillemot Corporation S.A.

# КОНФИГУРАЦИЯ КНОПОК И ОСЕЙ

На ДЖОЙСТИКЕ:

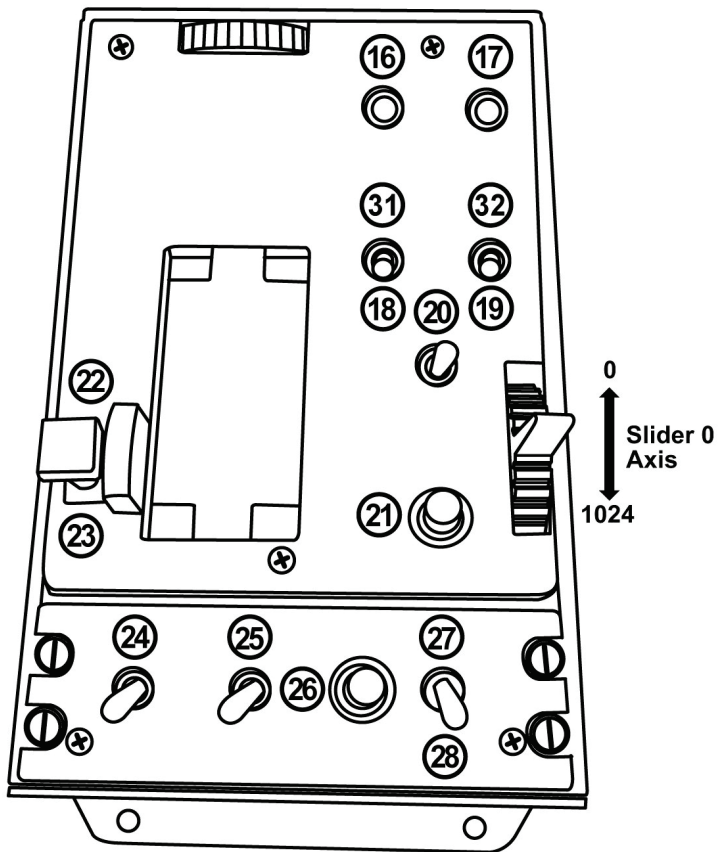


На РЫЧАГЕ УПРАВЛЕНИЯ ДВИГАТЕЛЕМ:



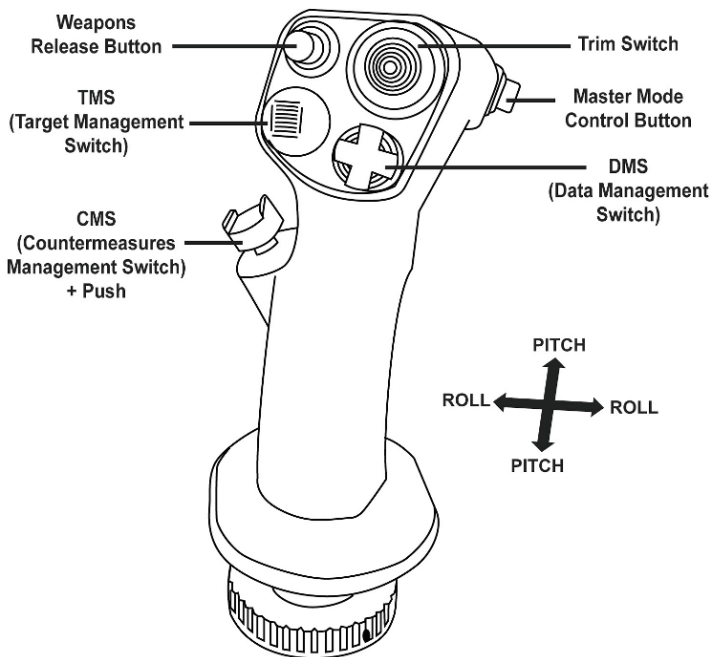


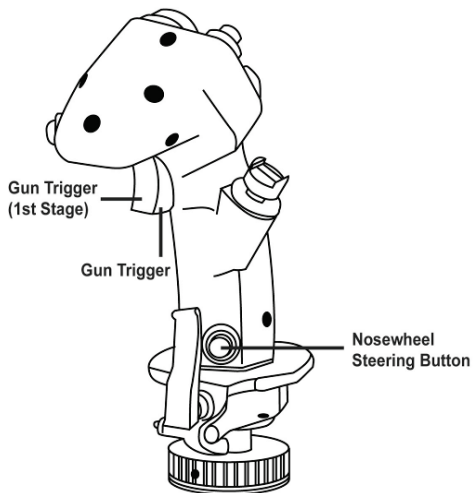
На ПАНЕЛИ УПРАВЛЕНИЯ:



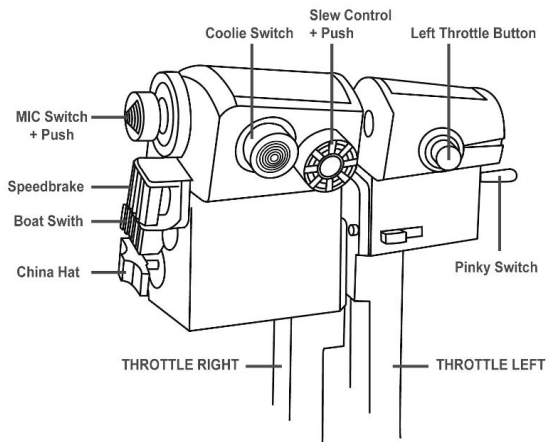
## ФУНКЦИИ ШТУРМОВИКА "А-10С"

На ДЖОЙСТИКЕ:

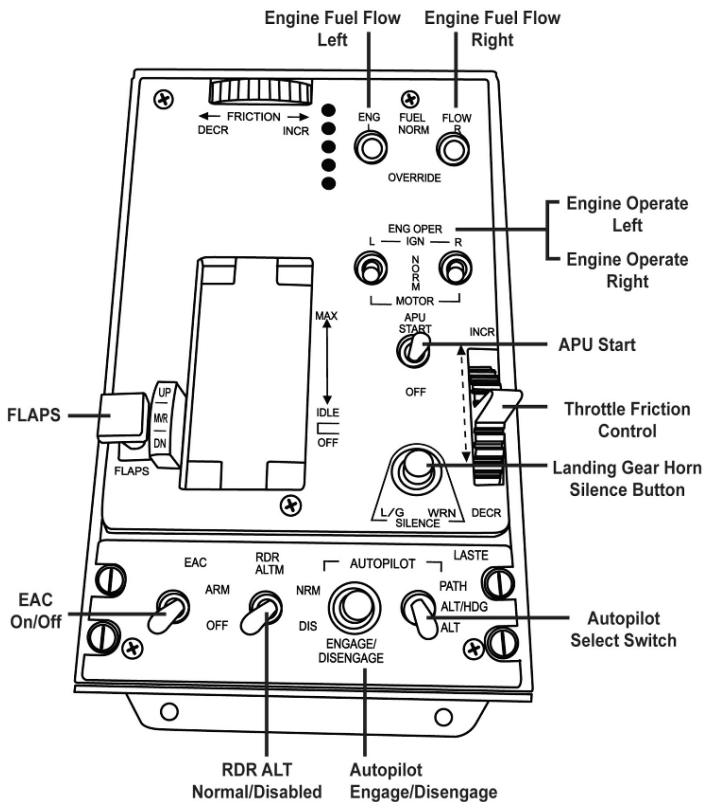




На РЫЧАГЕ УПРАВЛЕНИЯ ДВИГАТЕЛЕМ:



На ПАНЕЛИ УПРАВЛЕНИЯ:

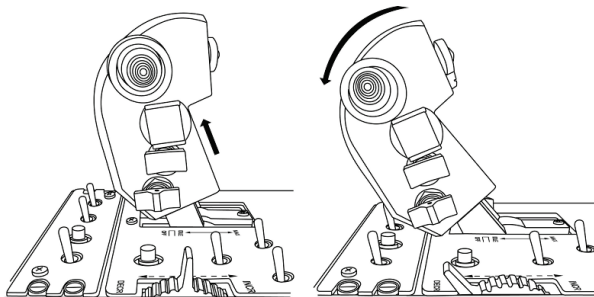


## РЕАЛИСТИЧНЫЕ СТОПОРЫ IDLE (РЕЖИМ ХОЛОСТОГО ХОДА) И AFTERBURNER (ФОРСАЖНЫЙ РЕЖИМ)

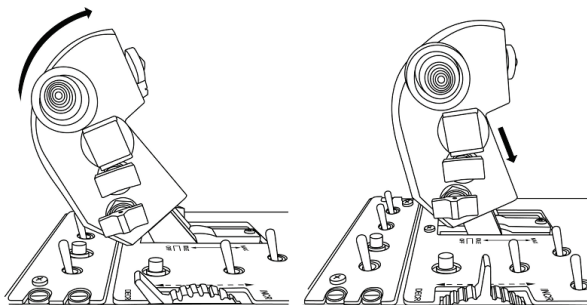
Рычаг управления двигателем на джойстике от HOTAS Warthog оснащен реалистичными системами стопоров IDLE и AFTERBURNER (система AFTERBURNER отсоединяема).

### IDLE:

Чтобы перейти в режим IDLE: выключите двигатели (в комбинированных играх), приподнимите рычаги управления двигателем (чтобы избежать остановки) и установите их в позицию OFF.

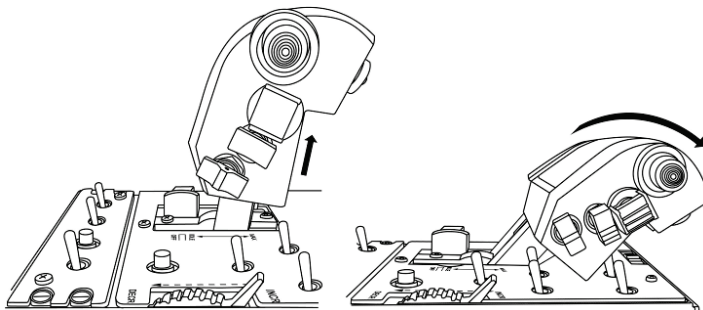


Чтобы включить двигатели обратно, передвиньте рычаг вперед (затем слегка вниз) в позицию IDLE.



## AFTERBURNER:

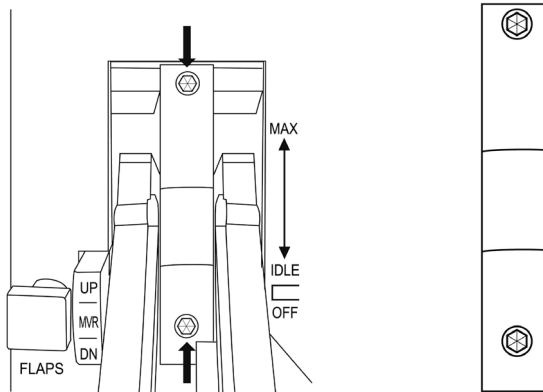
Если стопор AFTERBURNER на месте, приподнимите рычаги управления двигателем (чтобы избежать остановки) и передвиньте их вперед.



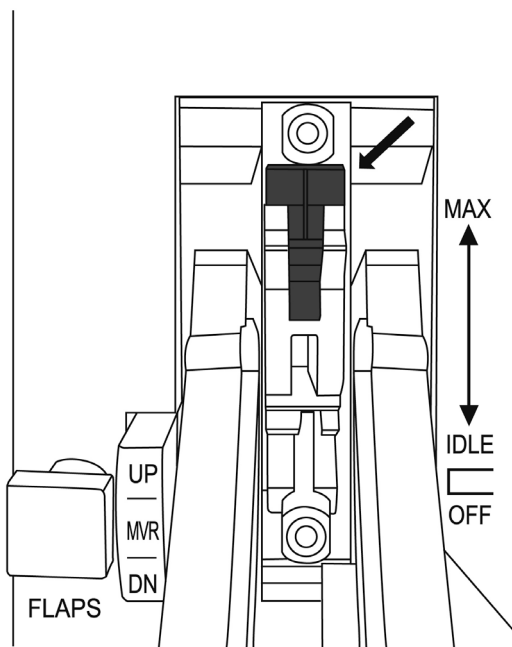
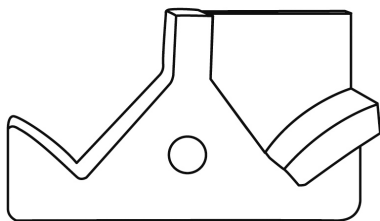
## УСТАНОВКА И ДЕУСТАНОВКА СТОПОРА AFTERBURNER:

*(по умолчанию стопор AFTERBURNER не установлен).*

- С помощью шестигранного ключа отвинтите 2 болта, как показано на рисунке, и выньте извлекаемую панель, которая расположена между 2-мя рычагами управления двигателем.

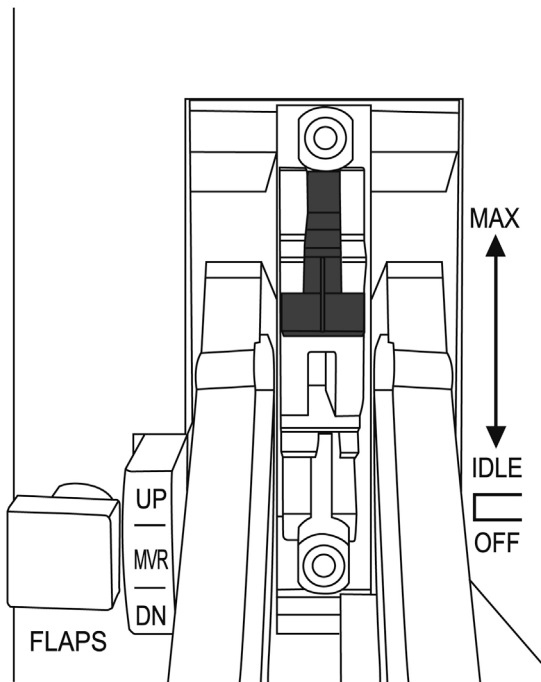


- Выньте AFTERBURNER, который расположен под извлекаемой панелью.



**(В этой позиции стопор AFTERBURNER не работает)**

- Переверните AFTERBURNER и вставьте его обратно:



**(В этой позиции стопор AFTERBURNER не работает)**

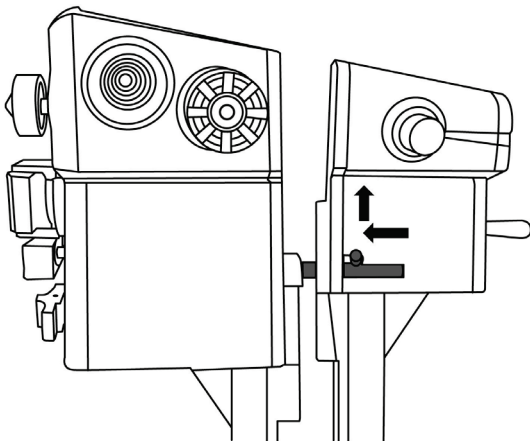
- Вставьте извлекаемую панель обратно между 2-мя рычагами управления двигателем и привинтите болты.

**ПРИМЕЧАНИЕ.** Чтобы не повредить AFTERBURNER, не используйте рычаги управления двигателем, если извлекаемая панель должным образом не установлена (не привинчена с помощью двух болтов) между рычагами управления двигателем.

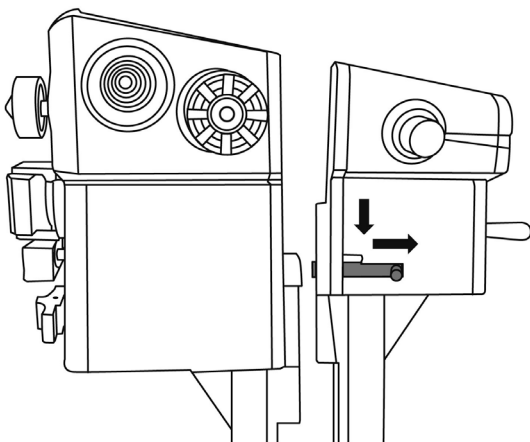


## ПОДСОЕДИНЕНИЕ И ОТСОЕДИНЕНИЕ РЫЧАГОВ УПРАВЛЕНИЯ ДВИГАТЕЛЕМ

Чтобы соединить рычаги управления двигателем:



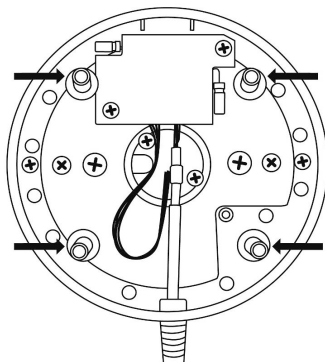
Чтобы разъединить рычаги управления двигателем:



## УСТАНОВКА ДЖОЙСТИКА В КАБИНЕ ПИЛОТА ИЛИ ДРУГОЙ КОНСТРУКЦИИ

Чтобы закрепить джойстик в кабине пилота:

- отвинтите 4 болта, которые расположены в нижней части металлической подставки джойстика, и выньте ее;
- прикрепите джойстик к конструкции с помощью 4-х винтовых резьб, находящихся на его обратной стороне.



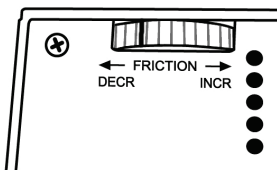
Также можно прикрепить джойстик и рычаг управления двигателем к конструкции с помощью 4-х отверстий, расположенных по углам металлической поверхности.

## РЕГУЛИРУЕМАЯ ФРИКЦИОННАЯ СИСТЕМА РЫЧАГА УПРАВЛЕНИЯ ДВИГАТЕЛЕМ

- Чтобы увеличить трение: поверните колесико вправо.
- Чтобы уменьшить трение: поверните колесико влево.

### ПРИМЕЧАНИЯ

- Трение на двоянных рычагах управления двигателем по умолчанию установлено на минимальный уровень.
- Чтобы отрегулировать степень трения от минимума до максимума, сделайте около десяти полных оборотов колесиком.
- Белая пометка на колесике поможет считать обороты.



## **ОБРАТНОЕ КОМБИНИРОВАНИЕ**

Новая рукоятка "HOTAS Warthog" комбинируется с панелью "HOTAS Warthog" (и наоборот).

Нефункционалирующей будет только кнопка CMS (кнопка 19), поскольку изначально на панели HOTAS Cougar ее не было.

## **ПОДСВЕТКА ПАНЕЛИ УПРАВЛЕНИЯ**

Интенсивность подсветки панели управления регулируется посредством T.A.R.G.E.T (Thrustmaster Advanced pRogramming Graphical EdiTor). Существует пять различных уровней интенсивности: от 1 (минимальная интенсивность) до 5 (максимальная интенсивность). По умолчанию установлен уровень 2.

**УПРАВЛЕНИЕ ПЯТЬЮ ПРОГРАММИРУЕМЫМИ ИНДИКАТОРАМИ** Можно управлять пятью программируемыми индикаторами панели управления посредством T.A.R.G.E.T. (Thrustmaster Advanced pRogramming Graphical EdiTor).

## **Сведения о потребительской гарантии**

Корпорация Guillemot Corporation S.A., зарегистрированная по адресу Place du Granier, B.P. 97143, 35571 Chantepie, Франция, (далее — «Guillemot») гарантирует своим клиентам во всем мире, что в данном изделии Thrustmaster не будет выявлено никаких дефектов материалов и производства в течение гарантийного периода, который равен сроку предъявления претензии по соответствию для данного изделия. В странах Европейского Союза этот срок соответствует двум (2) годам с момента поставки изделия Thrustmaster. В других странах гарантийный период равен сроку предъявления претензии по соответствию для изделия Thrustmaster, определяемому соответствующим законодательством страны, в которой проживал потребитель на момент приобретения изделия Thrustmaster (если подобные претензии не действуют в соответствующей стране, гарантийный период равняется одному (1) году с первоначальной даты приобретения изделия Thrustmaster). Незвизрая на вышеизложенное, гарантия на аккумуляторы равняется шести (6) месяцам с первоначальной даты приобретения.

В случае обнаружения дефектов изделия во время гарантийного периода незамедлительно обратитесь в службу технической поддержки, сотрудники которой определяют дальнейшую процедуру. Если дефект будет подтвержден, изделие следует вернуть по месту приобретения (или в любое другое место, указанное службой технической поддержки).

В рамках действия гарантии дефектное изделие будет, по усмотрению службы технической поддержки, заменено или возвращено в рабочее состояние. Если в течение гарантийного срока изделие Thrustmaster будет подвергнуто такому восстановлению, к оставшемуся гарантийному сроку прибавляется период времени, но не менее семи (7) дней, во время которого изделие находилось вне употребления (началом этого периода считается дата запроса покупателя о вмешательстве или дата предоставления дефектного изделия для восстановления, если изделие было предоставлено для восстановления позднее, чем был сделан запрос о вмешательстве). В мере, разрешенной применимым законодательством, полная ответственность компании Guillemot и ее дочерних компаний (в том числе косвенный ущерб) ограничивается восстановлением рабочего состояния или заменой изделия Thrustmaster. В мере, разрешенной применимым законодательством, компания Guillemot отказывается от любых гарантий коммерческой пригодности или пригодности для определенной цели.

Настоящая гарантия не распространяется: (1) на ситуации, когда изделие было видоизменено, открыто, модифицировано или получило повреждения в результате недопустимого или неправильного использования, небрежности или несчастного случая, естественного износа или

любой другой причины, не связанной с дефектом материалов или производства (включая, помимо прочего, использование изделия Thrustmaster совместно с любыми неподходящими элементами, в частности — с блоками питания, аккумуляторами, зарядными устройствами и любыми другими элементами, не входящими в комплектацию Guillemot для данного изделия); (2) на случаи использования продукта в любых целях, кроме бытовых, в том числе на случаи профессионального или коммерческого применения (например, в игровых залах, для проведения обучения и соревнований); (3) на ситуации, когда указания службы технической поддержки не были выполнены; (4) на ПО, так как на такое ПО распространяется отдельная гарантия; (5) на расходные материалы (элементы, предназначенные для замены в течение срока службы изделия: например, батарейки и ушные подушки для гарнитур или наушников); (6) на аксессуары (например, кабели, чехлы, сумки, футляры, наручные ремешки); (7) на случаи продажи изделия с открытого аукциона.

Данная гарантия не подлежит передаче.

Настоящая гарантия не ущемляет прав потребителя, предоставляемых ему применимыми законами в отношении продажи потребительских товаров в соответствующей стране.

### **Дополнительные условия гарантии**

В течение гарантийного срока компания Guillemot, в общем и целом, не предоставляет никаких запасных частей, так как вскрытие и/или модификацию любых изделий Thrustmaster вправе осуществлять только служба технической поддержки (за исключением каких-либо процедур по модификации, которые служба технической поддержки может предложить выполнить клиенту путем письменных инструкций и предоставления, при необходимости, требуемых запасных частей: например, в связи с отсутствием статуса сложности или конфиденциальности у такой восстановительной процедуры).

С учетом периода освоения новых изделий и в целях защиты своих ноу-хау и коммерческих тайн компания Guillemot, в общем и целом, не предоставляет каких-либо уведомлений о восстановлении или запасных частей для любых изделий Thrustmaster с истекшим гарантийным сроком.

В США и Канаде настоящая гарантия ограничивается внутренним механизмом и оболочкой устройства. Корпорация Guillemot и ее дочерние предприятия ни при каких условиях не несут ответственности перед третьими лицами за косвенные или случайные убытки, связанные с нарушением каких-либо явных или подразумеваемых гарантий. В некоторых штатах/провинциях не допускается ограничение срока действия подразумеваемой гарантии или ограничение ответственности за косвенные/случайные убытки, поэтому в вашем случае вышеуказанные ограничения или исключения могут быть неприменимы. Настоящая гарантия предоставляет Вам определенные юридические права. У Вас могут также быть другие права, определенные законодательством штата или провинции.

### **Ответственность**

В мере, разрешенной применимым законодательством, компания Guillemot Corporation S.A. (далее — «Guillemot») и ее дочерние предприятия отказываются от любой ответственности за любой ущерб, вызванный одним или несколькими из следующих факторов: (1) видоизменение, вскрытие или модификация изделия; (2) несоблюдение инструкций по сборке; (3) недопустимое или неправильное использование, небрежность, несчастный случай (например, физическое воздействие); (4) естественный износ; (5) использование продукта в любых целях, кроме бытовых, в том числе профессиональное или коммерческое применение (например, в игровых залах, для проведения обучения и соревнований). В мере, разрешенной применимым законодательством, компания Guillemot и ее дочерние предприятия отказываются от любой ответственности за любой ущерб, не связанный с дефектами материалов или изготовления, в отношении данного изделия (включая, помимо прочего, любой ущерб, вызванный прямо или опосредованно любым программным обеспечением или использованием изделия Thrustmaster с любыми неподходящими элементами, в частности — блоками питания, аккумуляторами, зарядными устройствами и любыми другими элементами, не входящими в комплектацию Guillemot для данного изделия).

## АВТОРСКОЕ ПРАВО

© 2017 Guillemot Corporation S.A. Все права защищены. Thrustmaster® является зарегистрированной торговой маркой Guillemot Corporation. Windows® является зарегистрированной торговой маркой Microsoft Corporation в Соединенных Штатах Америки и/или других странах. Все прочие торговые марки являются собственностью соответствующих владельцев. Иллюстрации могут не соответствовать внешнему виду/функциям конкретного изделия. Содержание руководства, конструкция и технические характеристики изделия изменяются без предварительного уведомления и зависят от страны приобретения.

При пользовании изделием учитывайте следующее: цвета и дизайн могут различаться. Пластиковые стяжки и клейкую ленту следует снять перед использованием изделия. Настоящий продукт соответствует всем стандартам в отношении детей в возрасте 16 лет и старше. Использование данного продукта детьми младше 16 лет недопустимо.

[www.thrustmaster.com](http://www.thrustmaster.com)

# EAC

**THRUSTMASTER®**

ТЕХНИЧЕСКОЙ ПОДДЕРЖКИ

<http://support.thrustmaster.com>

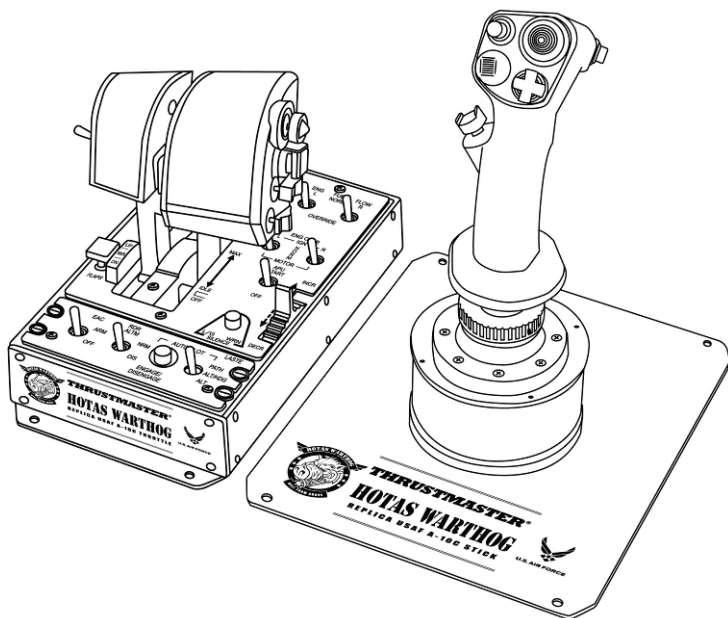


# HOTAS WARTHOG



兼容:PC

硬件用户手册



ENGLISH

简体中文

美国空军 A-10C 攻击机 HOTAS™(\*\*) (手持型油门和操纵杆) 仿真摇杆套装,  
内含:

### 1 个仿真摇杆

- 创新的 H.E.A.R.T HallEffect AccuRate Technology (霍尔效应精准感应技术) (\*):
  - 操纵杆上装有 3D 磁性传感器 (霍尔效应):
  - 16 位分辨率 (65536 x 65536 个值)
  - 5 个发条系统(\*)
- 配备 USB 接口, 可升级固件
- 厚重的超稳定底座 (超过 3 千克)
- 全新可拆卸手柄, 全金属精工制造:
  - 同时与 HOTAS Cougar™ 手柄互相兼容
  - 全新的仿真外形
  - 可拆卸金属压板, 提供桌面或座舱风格的使用体验
  - 全新、逼真的按钮与扳机
  - 共计 19 个操作按钮, 另有一个八向苦力帽:
    - 1 个八向苦力帽
    - 2 个八向帽
    - 1 个四向按压帽
    - 1 个金属双扳机
    - 2 个按钮
    - 2 个小指按钮

### 1 个仿真控制面板

- 位于油门下方的厚重底座 (超过 3.5 kg)
  - 背光功能
  - 5 个可编程 LED
- 逼真的按钮与开关
  - 共计 15 个操作按钮加一个 Trim 轮:
    - 1 个 Trim 轮
    - 2 个按钮
    - 5 个 2 档开关 (2 个永久开关)
    - 2 个 3 档开关 (1 个瞬时开关 + 2 个永久开关)
    - 2 个 3 档开关 (3 个永久开关)

## 双仿真油门

- 创新的 H.E.A.R.T HallEffect AccuRate Technology (霍尔效应精准感应技术) (\*):
  - 2 个油门上配备 3D 磁性传感器 (霍尔效应)
  - 每个油门的分辨率高达 14 位 (16384 个值)
- 配备 USB 接口, 可升级固件
- 双油门, 配备:
  - 金属掌托
  - 锁定系统
  - 可调节的摩擦系统
  - 逼真的 IDLE 止动器, 带有“推拉式”(\*)系统
  - 逼真的可分离 AFTERBURNER 止动器, 带有“推拉式”(\*)系统
  - 逼真的按钮与开关
    - 共计 17 个操作按钮, 另加一个带按键的鼠标帽和一个八向苦力帽:
      - 。1 个带按键的鼠标帽, 另加一个 3D 磁性传感器 (霍尔效应)
      - 。1 个八向帽
      - 。1 个四向按压帽
      - 。1 个按钮
      - 。1 个 3 档开关 (2 个瞬时开关 + 1 个永久开关)
      - 。2 个 3 档开关 (3 个永久开关)
      - 。1 个 3 档开关 (1 个瞬时开关 + 2 个永久开关)

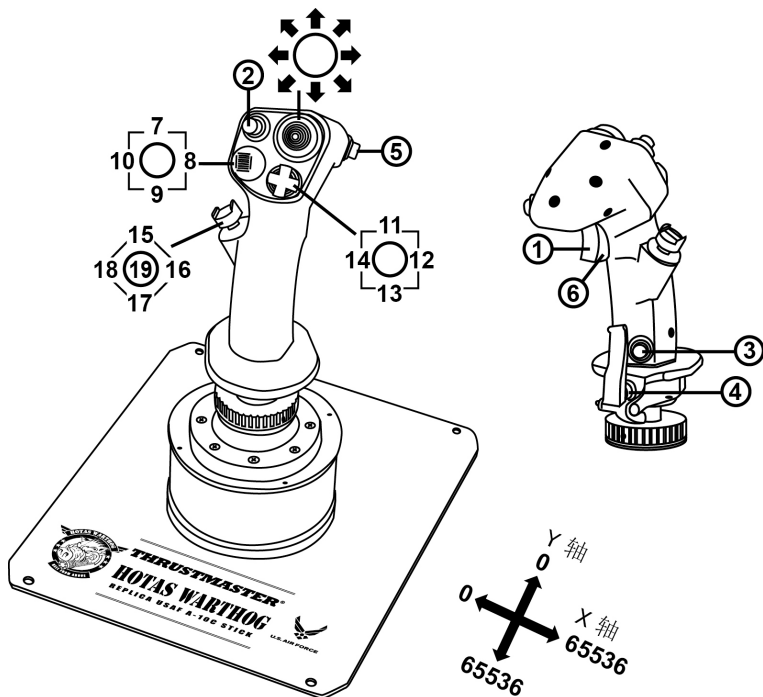
(\*) 正在申请专利。

(\*\*) HOTAS™ 是 Guillemot Corporation S.A. (基利摩股份有限公司) 的商标。

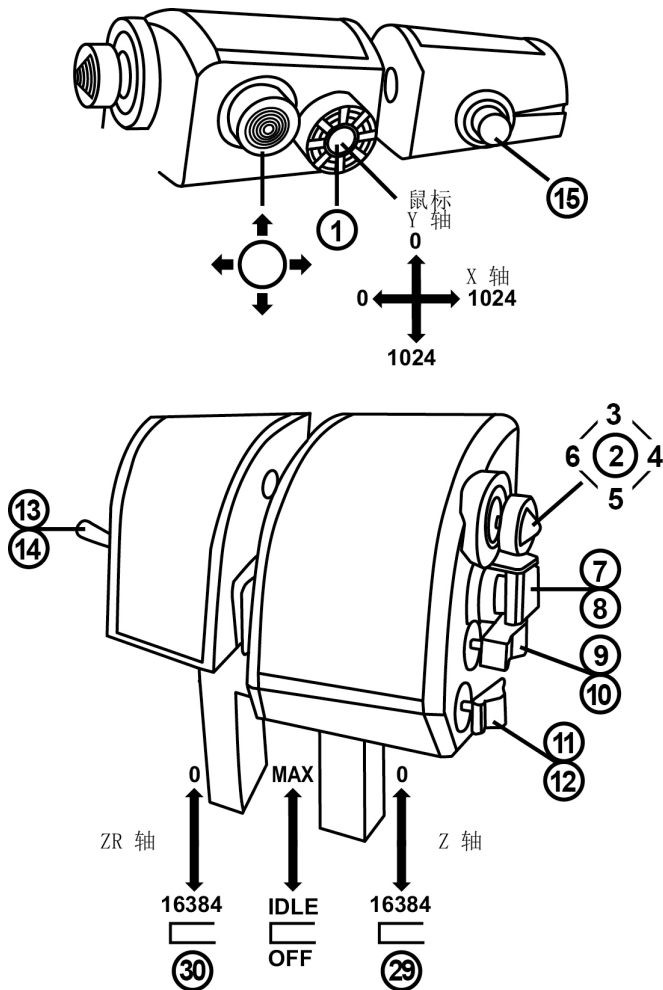


## 按钮和轴的配置

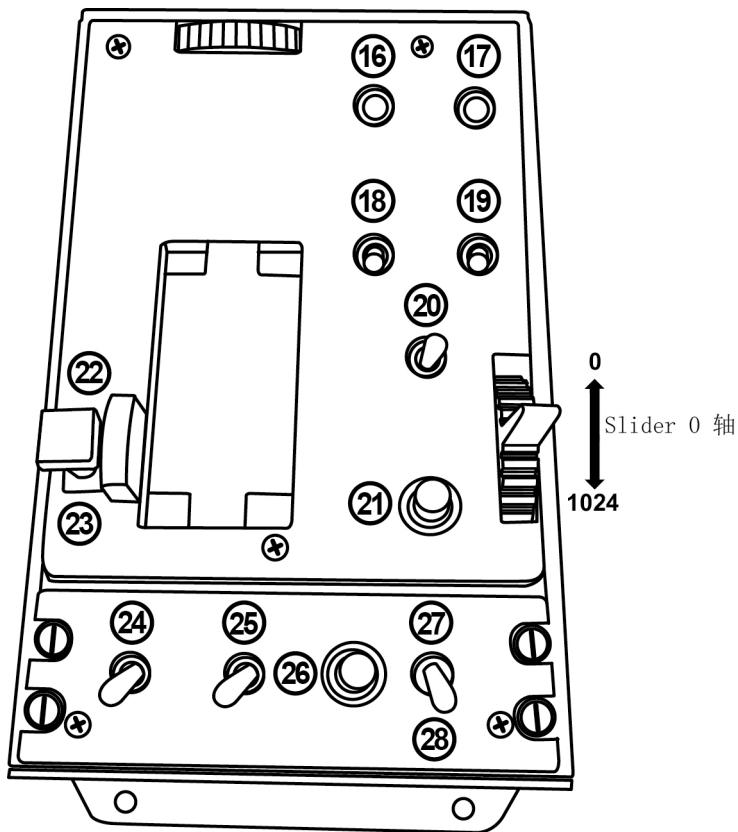
摇杆上的按钮和轴:



油门上的按钮和轴：

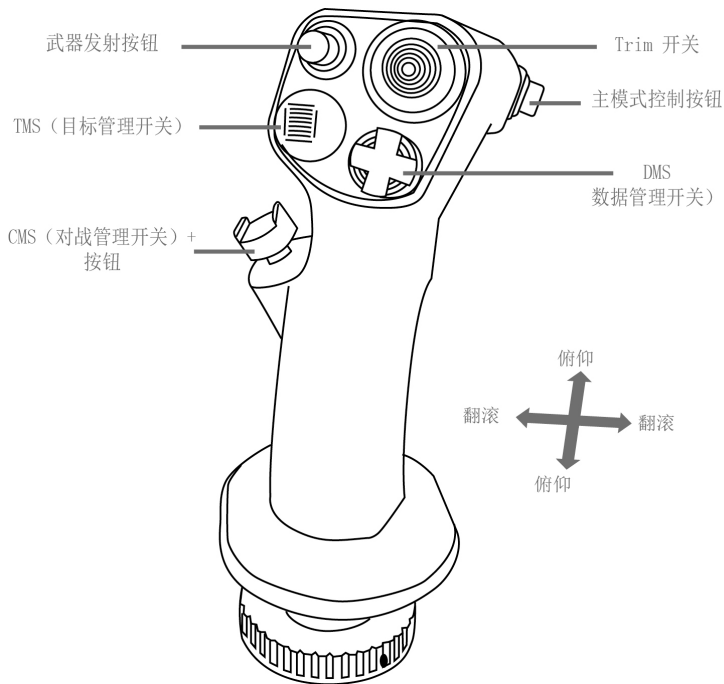


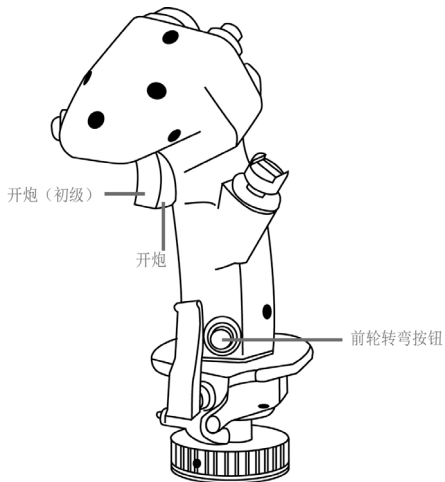
控制面板上的按钮和轴：



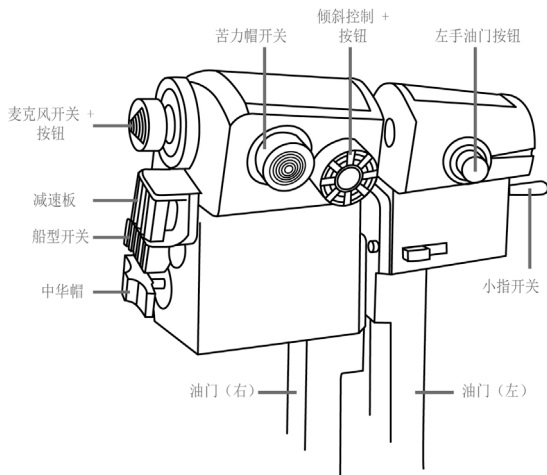
## “A-10C”攻击机的功能

摇杆上的按钮和轴：

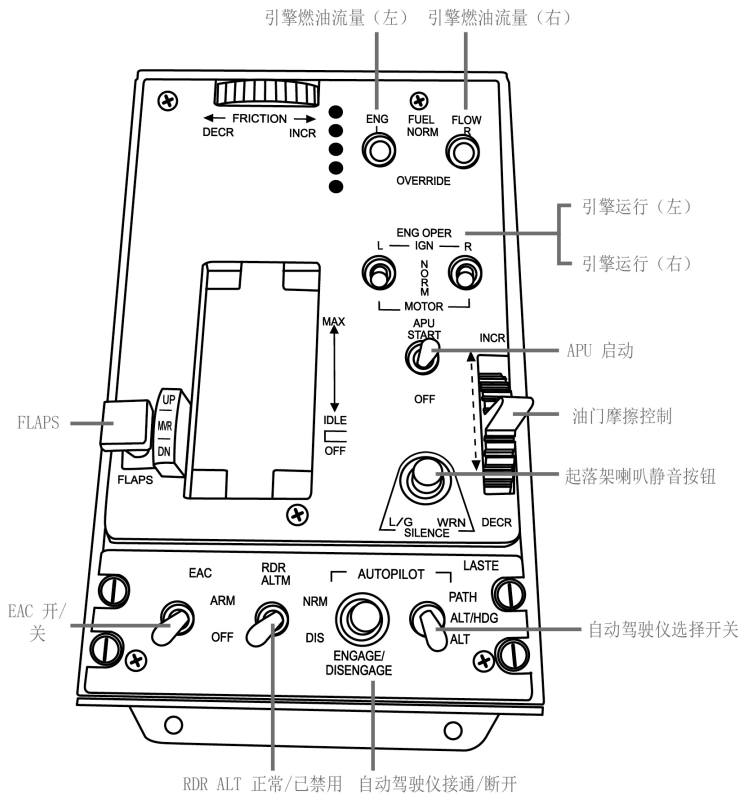




油门上的按钮和轴:



控制面板上的按钮和轴:

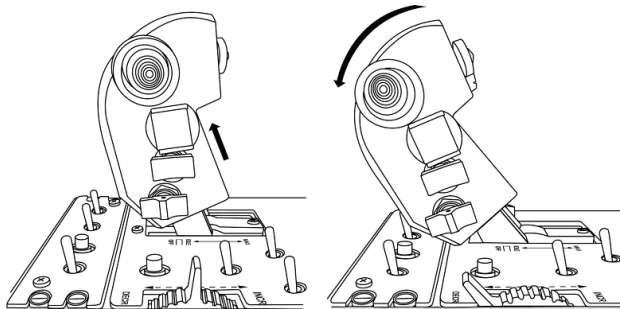


## 逼真的 IDLE 和 AFTERBURNER 止动器

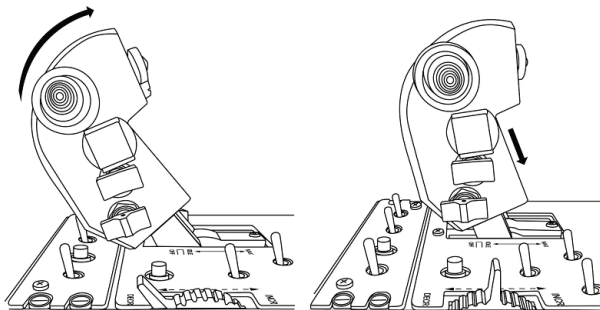
HOTAS Warthog 的油门配有逼真的 IDLE 和 AFTERBURNER 止动器系统（AFTERBURNER 系统可以分离）。

### IDLE:

设为 IDLE 时：若要切断飞机的电机（在兼容的游戏中），请稍稍抬起油门杆（以便越过制动器），然后将油门杆置于 OFF（关）位置。

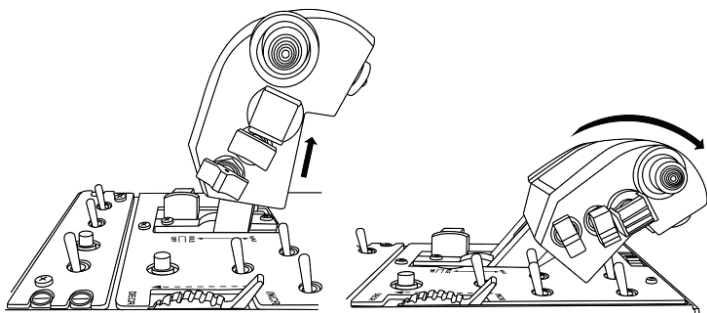


再次启动电机时，只需向前（再稍微向下）推动油门杆，使其置于 IDLE（闲置）位置。



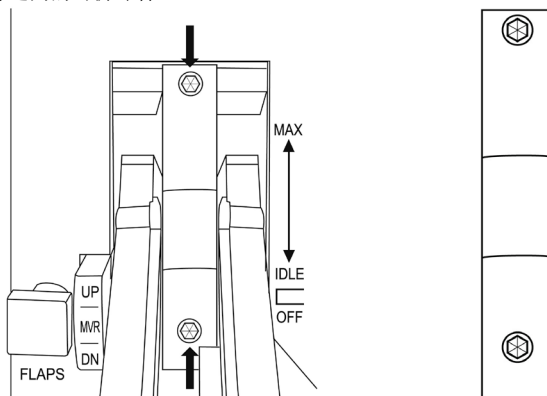
AFTERBURNER:

将 AFTERBURNER 模块制动器置于适当位置后，稍稍抬起油门杆（以便越过制动器），再向前推油门杆。

安装/拆卸 AFTERBURNER 制动器:

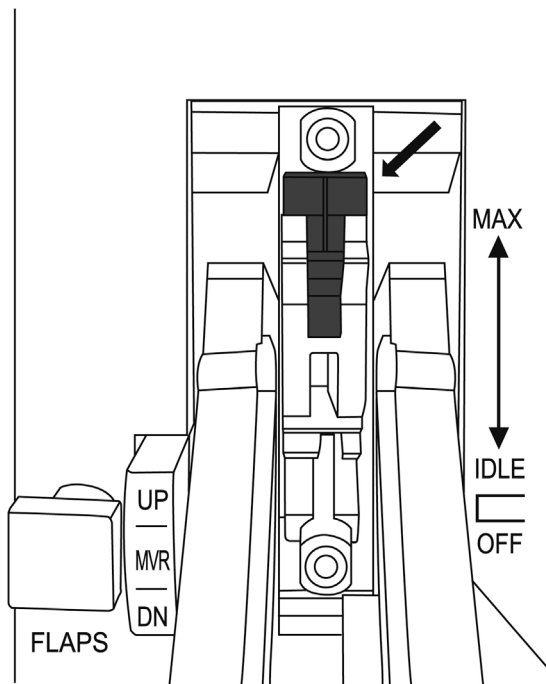
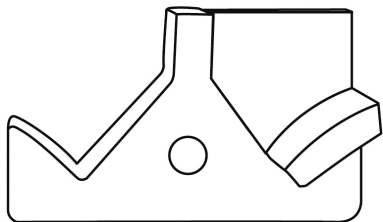
（默认情况下，不安装 AFTERBURNER 模块制动器）。

- 使用随附的内六角扳手，拧下 2 个螺丝（如下所示），然后取出位于 2 个油门杆之间的可拆卸杆。



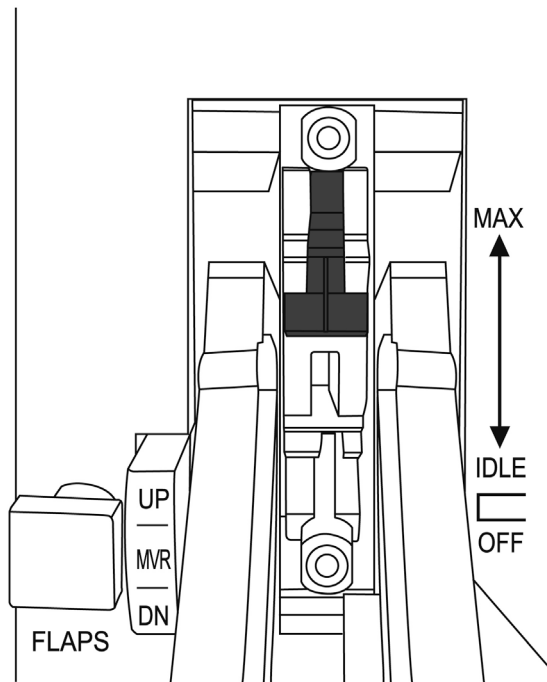


- 取出位于可拆卸杆下面的 AFTERBURNER 模块:



(在此位置，AFTERBURNER 制动器处于禁用状态)

- 翻转模块，将其置于原位：



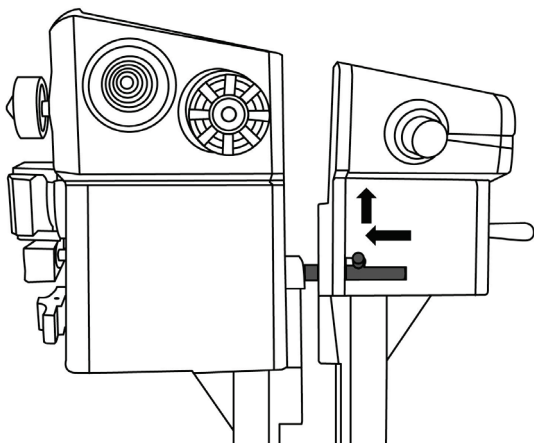
(在此位置，AFTERBURNER 制动器处于启用状态)

- 将可拆卸杆放回 2 个油门杆之间，然后更换 2 个螺丝并重新拧紧。

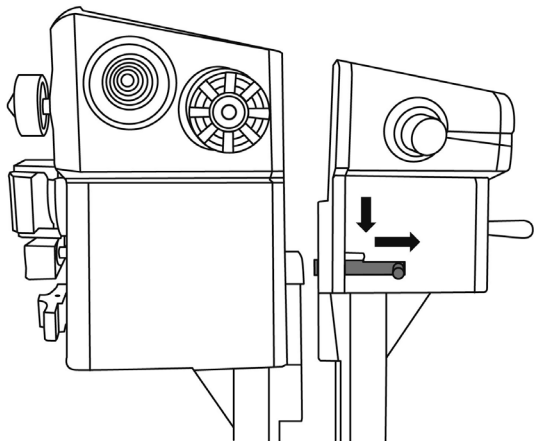
重要事项：为避免对 AFTERBURNER 模块造成任何可能的损坏，若未（使用 2 个螺丝）将可拆卸杆正确安装在 2 个油门杆之间，切勿使用油门杆。

## 连接/分开 2 个油门杆

将两个油门杆连接在一起：



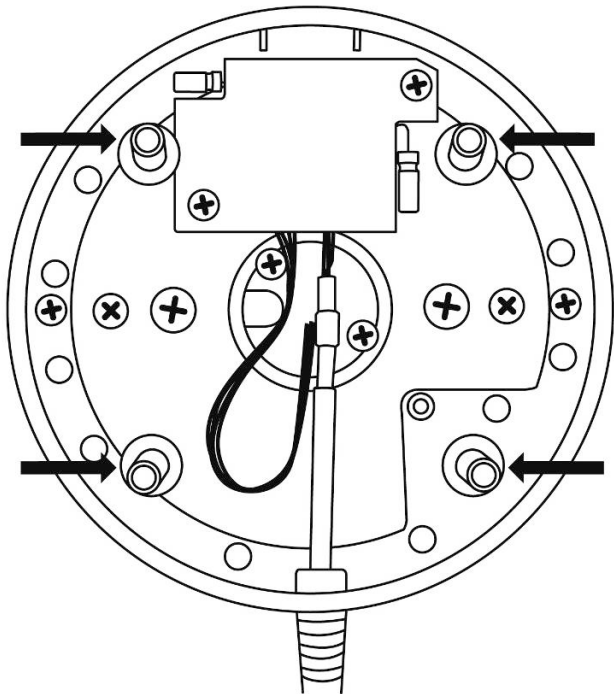
将两个油门杆彼此分开：



## 将摇杆安装在座舱内或其他固定支架上

### 将摇杆安装在座舱内：

- 将位于摇杆金属底座压板下面的 4 个螺丝拧下来，然后取下金属底座压板。
- 使用位于摇杆下方的 4 个螺纹将摇杆直接安装到固定支架上。



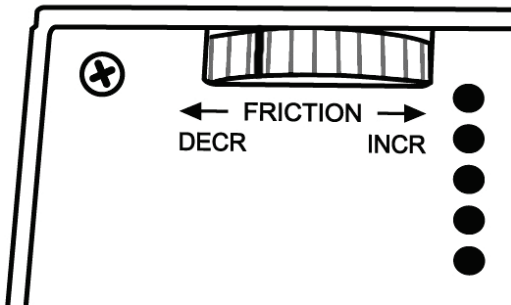
您还可以使用摇杆和油门金属底座压板边角上的 4 个孔将其安装到固定支架上。

## - 可调节的油门摩擦系统

- 若要增加摩擦力，向右转动方向盘。
- 若要减少摩擦力，向左转动方向盘。

### 重要事项:

- 默认情况下，双油门上的摩擦力设置为最小值。
- 为了能够根据您的习惯进行精确调整，从最小摩擦增加到最大摩擦时必须转动大约十圈。
- 如有必要，您可以使用方向盘上的白色标记来帮助您计算圈数。



## 向后兼容性

全新的“HOTAS Warthog”手柄可向后兼容“HOTAS Cougar”底座（反之亦然）。只有 CMS 按钮（按钮 19）无法使用，因为 HOTAS Cougar 上最初未配备该按钮。

## 控制面板背光

可通过 T.A.R.G.E.T（Thrustmaster 图马思特高级编程图形编辑器）直接调节控制面板背光的亮度。有五个不同级别的亮度可供选择：从 1（最小亮度）到 5（最大亮度），默认级别设为 2。

## 管理 5 个可编程 LED

您可以通过 T.A.R.G.E.T 直接管理控制面板的 5 个可编程 LED。（Thrustmaster 图马思特高级编程图形编辑器）。

## 版权声明

© 2015 Guillemot Corporation S.A. (基利摩股份有限公司) 保留所有权利。Thrustmaster® (图马思特) 是 Guillemot Corporation S.A. (基利摩股份有限公司) 的注册商标。所有其他商标均为其各自所有者的资产。插图不具约束力。内容、设计和规格可能因国家/地区而异, 并可能随时出现更改, 恕不另行通知。中国制造。



产品中有毒有害物质或元素的名称及含量

部件名称	有毒有害物质或元素					
	铅 (Pb)	汞 (Hg)	镉 (Cd)	六价铬 (Cr(VI))	多溴联苯 (PBB)	多溴二苯醚 (PBDE)
陶瓷电阻	×	○	○	○	○	○
玻璃电阻	×	○	○	○	○	○
陶瓷电阻 (内部)	×	○	○	○	○	○
金属插头	×	○	○	○	○	○
金属脚	×	○	○	○	○	○

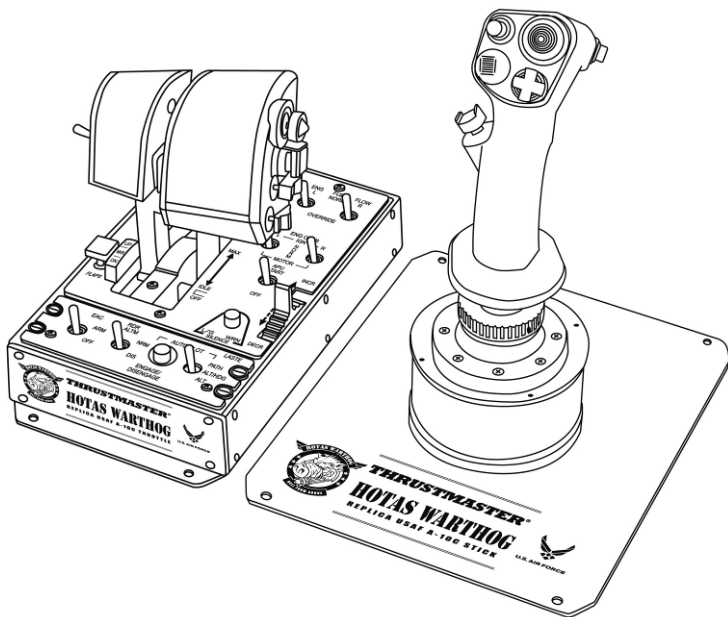
○: 表示该有毒有害物质在该部件所有均质材料中的含量均在 SJ/T11363-2006 标准规定的限量要求以下。  
×: 表示该有毒有害物质至少在该部件的某一均质材料中的含量超出 SJ/T11363-2006 标准规定的限量要求。  
(企业可在此处, 根据实际情况对上表中打“×”的技术原因进行进一步说明。)

# HOTAS WARTHOG



PC 互換モデル

取扱説明書





## 【保証規定】

※本製品を使用される前に必ずお読みください。

この度は、弊社製品をお買い上げ誠にありがとうございます。

以下の保証規定をお読みいただき内容に同意の上、本製品をご使用ください。

初期不良期間はお買い上げ日から1週間とさせていただきます。

保証期間はお買い上げ日から1年間です。

製品が取扱説明書記載の通常の使用方法により正常に動作しなくなった場合は、弊社の判断で無償修理・交換、および完売等の場合は同等品と無償にて交換致します。

送付された旧製品等はお返しいたしません。

保証期間内であっても以下の弊社が定める保証規定やご使用上の誤りによって生じた損傷、故障等は保証が受けられません。

1. 弊社製品と判断出来ない場合
2. ハードウェア自身の消耗に起因する故障または損傷。  
(本製品は性質上、物理的な機構の耐久性性能に依存する製品寿命がございます)
3. 火災、地震、水害、落雷、ガス害、塩害、その他の天災地変、公害や異常電圧による故障または損傷。
4. お買い上げ後の輸送、移動時の落下などお取り扱いが不適当なため生じた故障または損傷。
5. ご使用時の不備あるいは接続している他の機器によって生じた故障または損傷。
6. 取扱説明書の記載内容に反するお取り扱いによって生じた故障または損傷。
7. 弊社以外で改造、調整、部品交換などをされた場合。
8. 本製品の故障に起因するデータ損失などの付随する損害に関しては一切保証できません。
9. ご使用のハードウェアや使用環境、及びPCでのご使用の際のソフトウェアとの相性問題に関しての返品、返金は受け付けません。
10. 一般家庭以外(業務用等)での使用による故障または損傷、不具合。
11. 個人売買(インターネット等)で購入された際の購入日は、保証開始日として起算できません。  
社会的信用のある販売店での購入時のみ、購入日を保証開始日としますので、個人売買の場合は、商品の発売日から保証開始日として起算させていただきます。
12. その他交換を認めたい不適切な行為が発見された場合。
13. 中古品売買・譲渡による、ご購入者以外への保証権利の引継ぎ(保証の譲渡)は認められません。

## 【ご使用上の注意事項】

- ・濡れた手で本製品を取り扱わないでください。
- ・ケーブルにキズがつかないように十分注意して使用ください。
- ・湿気やほこりの多い場所での使用や保管は避けてください。
- ・本製品に無理な力を加えないでください。本製品の許容範囲以上の力が加わると故障の原因になります。
- ・直射日光の当たる場所や熱源の近くでの使用や保管は避けてください。
- ・長時間使用しない場合は、パソコン本体から外して保管してください。
- ・本製品のお手入れは、パソコン本体から外して、乾いた布で拭き取ってください。シンナーやベンジンを使用してのお手入れは避けてください。
- ・健康の為に本製品を使用する場合は、1時間毎に休憩し健康に留意してください。
- ・本製品を乳児や小さいお子様の手が届かないようご使用、保管してください。誤ってコードをかじったり本製品や部品を飲み込む恐れがあります。
- ・本製品を運用した結果発生した、他への影響については一切の責任を負いかねますので、予めご了承ください。

サポートを受ける際にはお買い上げ時のレシート・店舗側で必要事項を記入済みの保証書等、お客様のご購入日付を証明する書類が必要となりますので、それらは決して捨てたりせず大切に保管なさるようお願い致します。

ご購入日付を証明する書類をご呈示いただけない場合、保証期間内であっても有償での修理対応となりますので、あらかじめご了承ください。

## 【保証品送付についてのご案内】

本製品が正常動作しなくなった場合は、まず弊社カスタマーサービスに連絡頂いた上、現象、環境等の詳細をお書き頂き、配送業者様の送り状(伝票)に“不良検証用”と明記の上、お買い上げ時のレシート等と本製品をお送りください。

### ■用意していただくもの

- ・ 本製品
- ・ お買い上げ時の購入証明(購入時のレシート、保証書シール、保証書レシート、購入した日付が分かる書類(通販の代引伝票)など)

### 【修理依頼時のご注意】

以下の点をご了承の上、修理をご依頼頂けますようお願いいたします。

- ・ 修理のご依頼について: 修理のご依頼は日本国内にお住まいの方とさせて頂きます。
- ・ 代替機の貸出について: 修理に伴う代替機の貸出等はありません。
- ・ 修理品の交換について: 修理が困難な場合には、修理せずに同等品と交換させて頂く事がございます。この場合、お客様にて貼られたシールなどはお返できません。
- ・ お客様が設定されたデータについて: 弊社にて修理作業を行う際にお客様が設定されたデータを消去する場合があります。この場合は、工場出荷初期状態でお返しすることとなります。  
(製品ごと交換する場合も同様です)

### 【送料について】

○初期不良期間(お買い上げ日から1週間)

[例]月曜日にお買い上げの場合には翌週の日曜日のサポート受付時間終了まで初期不良期間の送料は往復共に弊社が負担させていただきます。

○初期不良期間終了以降～保証期間終了まで

弊社にご送付頂く際の送料はお客様にてご負担願います。

修理品を返送する際の送料は弊社にて負担させていただきます。

### 【修理品の発送について】

紛失等のトラブルを防ぐため、必ず受領確認の取れる宅配便でご送付ください。

封書、郵便小包等の郵送は固くお断り申し上げます。

なお、輸送中の事故については、弊社にて責任を負いかねます。

あらかじめご了承ください。

## アメリカ空軍 A-10C 攻撃機 HOTAS™(\*\*) (Hands On Throttle And Stick) レプリカジョイスティックのパッケージには以下が含まれています:

### 1 レプリカジョイスティック

- ・ 新技術 H.E.A.R.T HallEffect AccuRate Technology (\*) 採用:
  - スティックに 3D 磁気センサー (HallEffect) 搭載
  - 16 ビット解像度 (65536 値)
  - 5 コイルスプリング機構 (\*)
- ・ USB 接続 (ファームウェアアップデート可能)
- ・ ウェイト入りのベース部 (3 kg 以上) による優れた安定感
- ・ 精巧なフルメタル仕様で、取り外し可能な新デザインスティック:
  - HOTAS COUGAR™ ハンドルとの相互互換性
  - 新設計レプリカ形状
  - デスクまたはコックピットスタイル用に合わせて取り外せるメタル

#### プレート

- さらにリアルになった、ボタンおよびトリガーへの圧力
- 計 19 個のアクションボタン + 8 方向視点ハット:
  - .1 x 8 方向 “視点” ハット
  - .2 x 8 方向ハット
  - .1 x プッシュボタン付き 4 方向ハット
  - .1 x メタルデュアルトリガー
  - .2 x プッシュボタン
  - .2 x ピンキープッシュボタン

### 1 レプリカコントロールパネル

- スロットルの底部に備え付けられたウェイト入りベース部 (3.5 kg 超)
- バックライト付きファンクション
- 5 つのプログラミング可能な LED
- リアルなボタンおよびトリガーへの圧力
- 15 個のアクションボタン + TRIM ホイール:
  - .1 x TRIM ホイール
  - .2 x プッシュボタン
  - .5 x 2 ポジションスイッチ (2x パーマネント SW)
  - .2 x 3 ポジションスイッチ (1 モメンタリーSW、2 x パーマネント SW)
  - .2 x 3 ポジションスイッチ (3 x パーマネント SW)

## デュアルレプリカスロットル

- ・ 新技術 H.E.A.R.T HallEffect AccuRate Technology (\*) 採用:
  - 2 つのスロットルに 3D 磁気センサー (HallEffect) 搭載
  - 各スロットルに 14 ビット解像度 (16384 値) を実現
- ・ USB 接続 (ファームウェアアップデート可能)
- ・ 以下の機能を搭載したデュアルスロットル:
  - メタルハンドレスト
  - ロックシステム
  - 調整可能なフリクションシステム
  - “プル&プッシュ” (\*) システムを備えた、リアルなアイドルディテント
  - “プル&プッシュ” (\*) システムを備えた、リアルかつ取り外し式の

### アフターバーナーディテント

- ボタンおよびスイッチへのリアルな圧力
- 計 17 個のアクションボタン + 1 x プッシュボタン付きマウスハット + 8 方向視点ハット:
  - .1 x プッシュボタンと 3D 磁気センサー (Hall Effect) を搭載した

### マウスハット

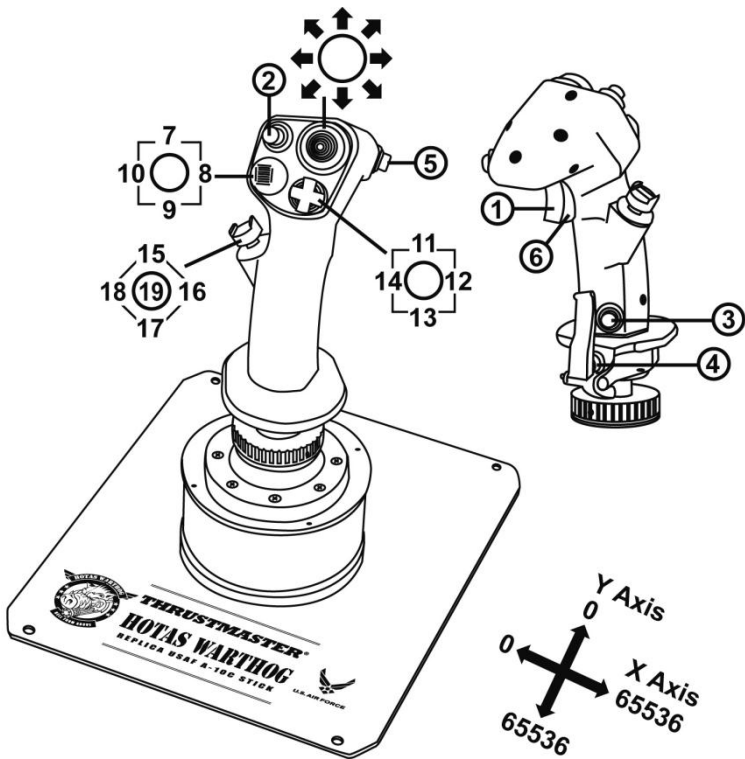
- .1 x 8 方向ハット
- .1 x プッシュボタン付き 4 方向ハット
- .1 x プッシュボタン
- .1 x 3 ポジションスイッチ (2x モメンタリー-SW、1 x パーマネント SW)
- .2 x 3 ポジションスイッチ (3x パーマネント SW)
- .1 x 3 ポジションスイッチ (1x モメンタリー-SW、2 x パーマネント SW)

(\*) 特許出願中。

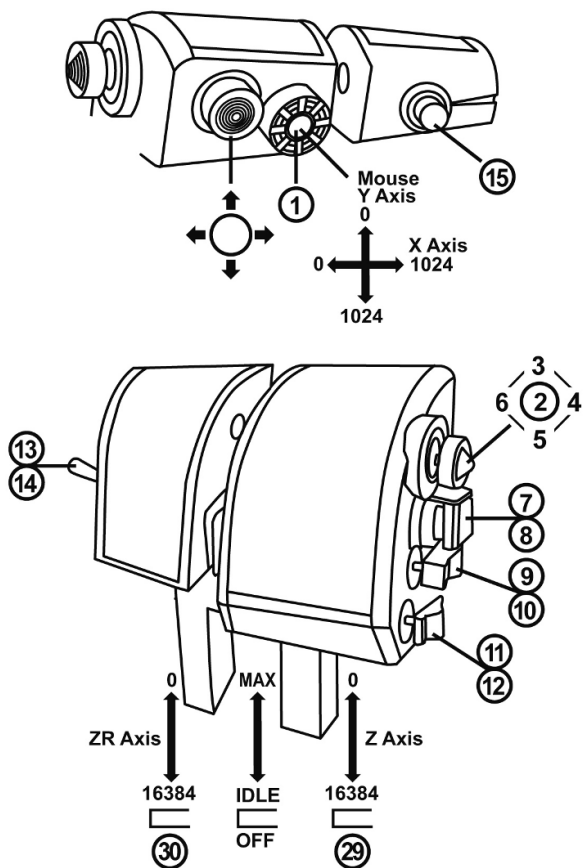
(\*\*) HOTAS™ は、Guillemot Corporation S.A. の登録商標です。

## ボタンおよび軸の設定

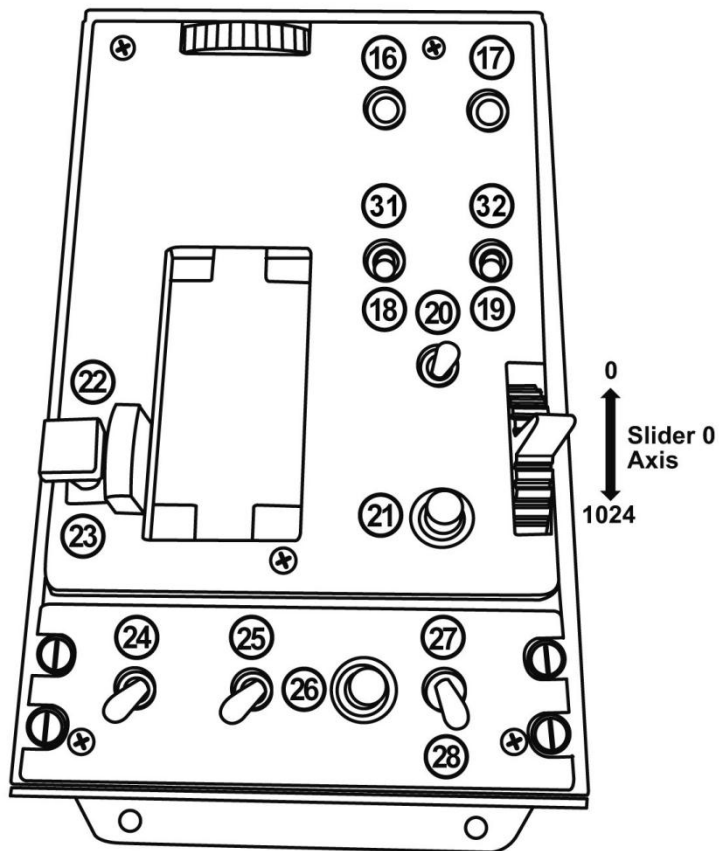
ジョイスティック:



スロットル:



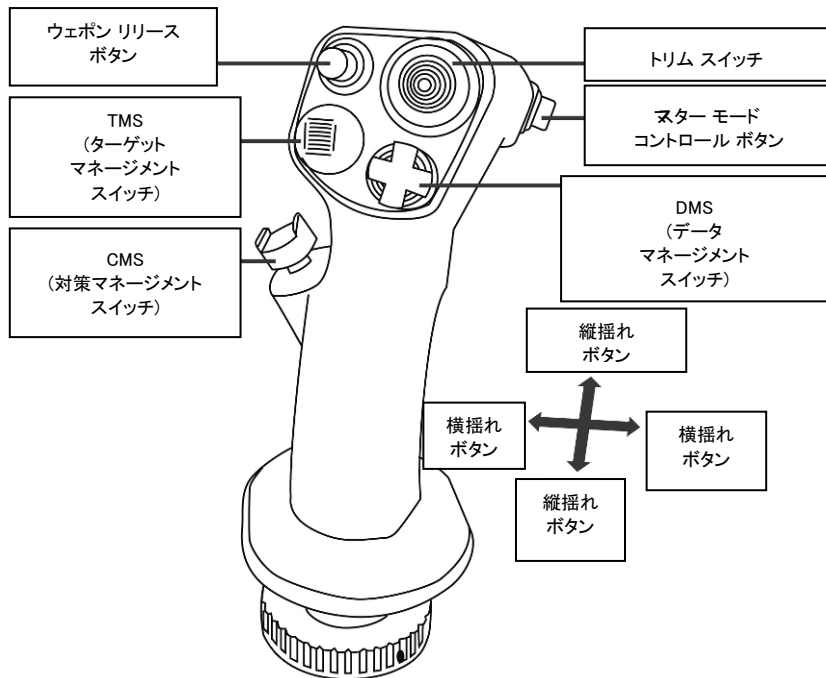
コントロールパネル:

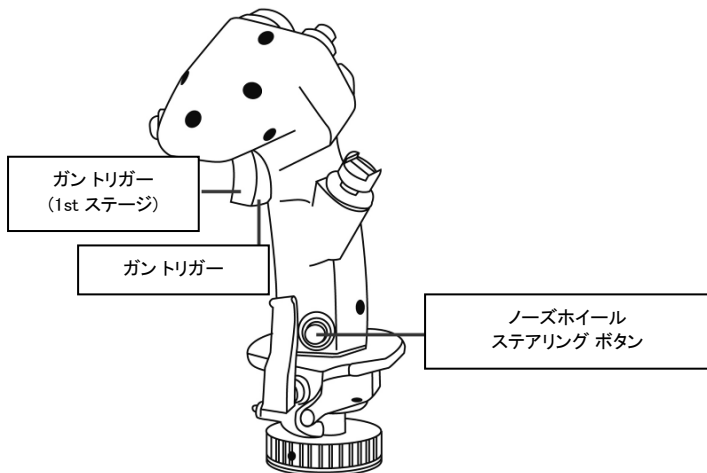




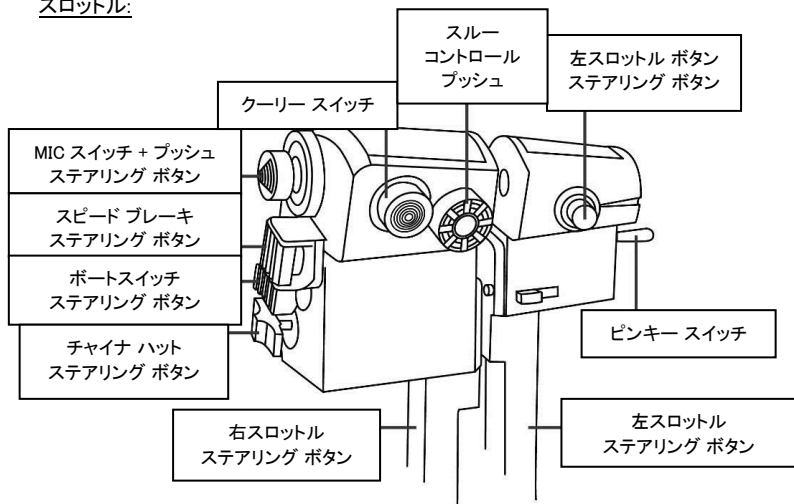
## “A-10C”操作機能

### ジョイスティック:

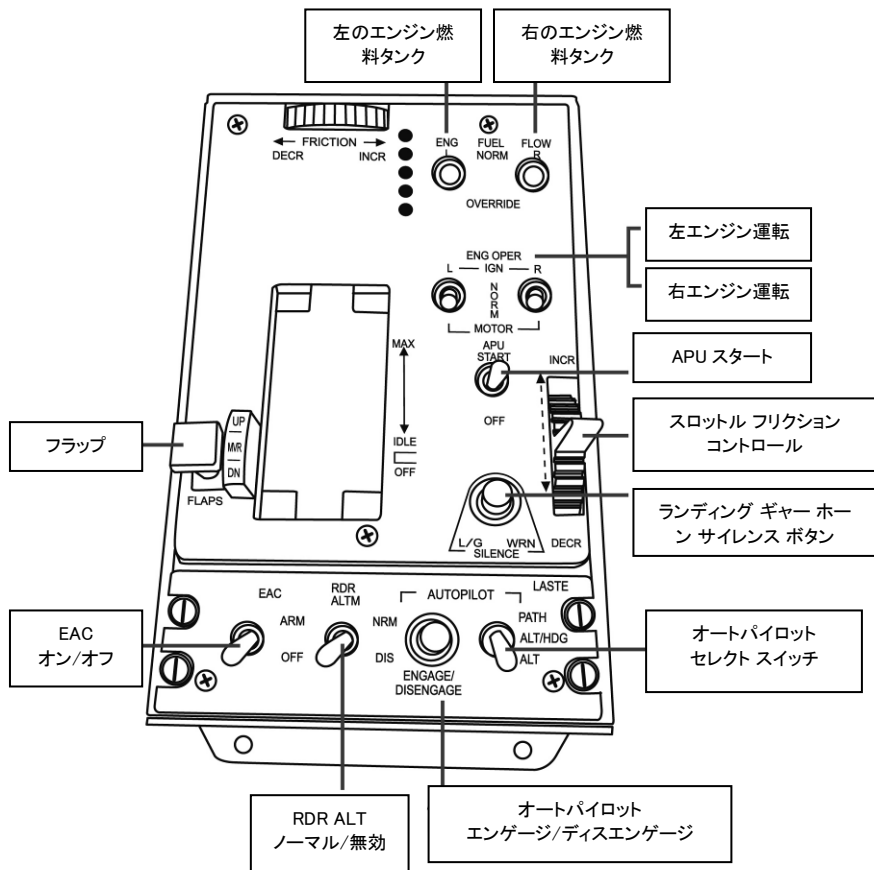




スロットル:



コントロールパネル:

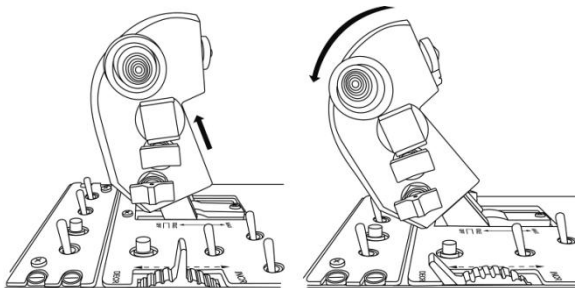


## リアリティ溢れる アイドリング および アフターバーナー ディテント

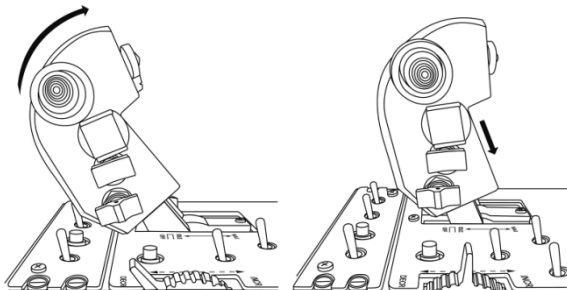
HOTAS Warthog スロットルは、IDLE ディテントおよび AFTERBURNER ディテント用にリアルなシステムを提供します(AFTERBURNER システムはディスエンゲージ可)。

### アイドリング:

アイドリング セット時:(対応ゲーム内で) 航空機のエンジンを切るには、スロットルレバーを少し上げてストップを超え、それからスロットルレバーを「OFF」に入れます。

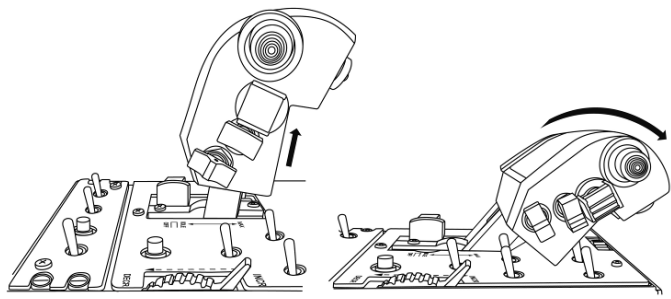


モーターを再度オンにするには、スロットルレバーを前方に傾けて(そして少し下げて)「IDLE」ポジションに入れます。



## アフターバーナー:

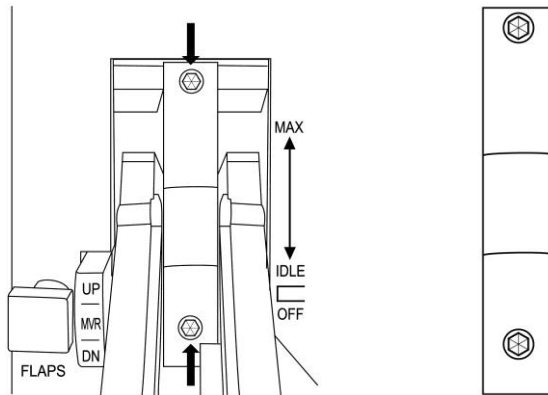
アフターバーナー モジュールストップが所定の位置にあるときに、スロットルレバーを少し上げてストップを超え、それからスロットルレバーを前方に押し出します。



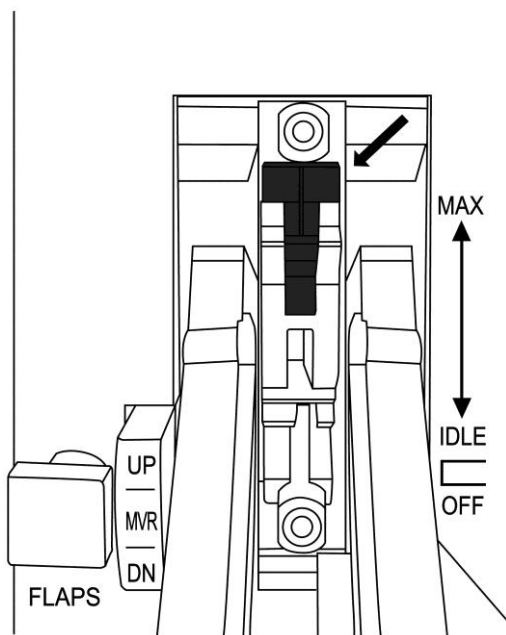
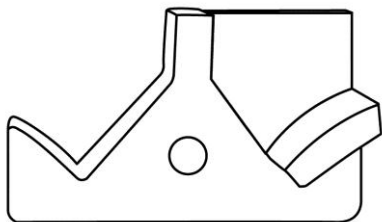
## アフターバーナー ストップをインストールする/アンインストールする:

(デフォルトの状態では、アフターバーナー モジュールストップは取り付けられていません)。

- 付属の六角レンチで下記の 2 つのネジを取り外し、2 本のスロットルレバーの間にある取り外し式バーを取り出します。

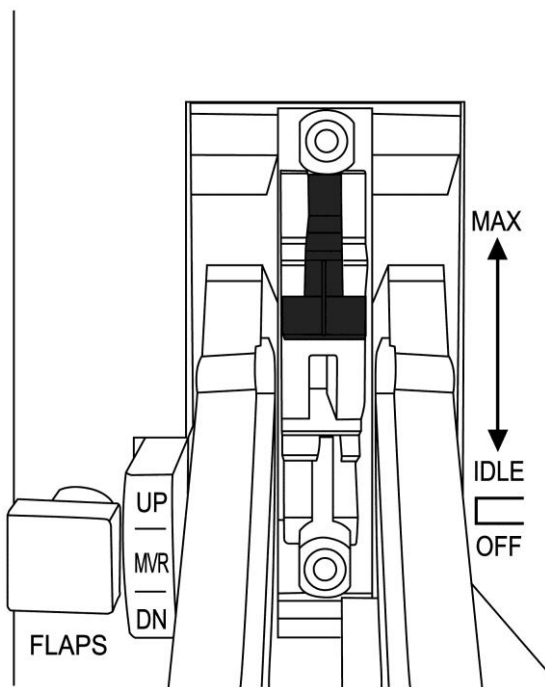


- 取り外し式バーの下にある、アフターバーナー モジュールを取り出します。



(このポジションでは、アフターバーナー ストップは無効になっています)

- モジュールを逆さにしてから、元の場所に戻します:



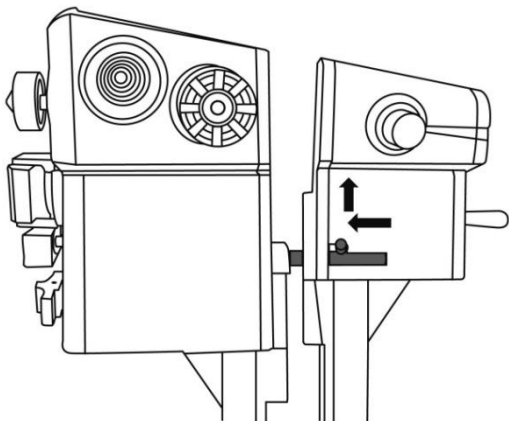
(このポジションでは、アフターバーナー ストップは有効になっています)

取り外し式バーを2本のスロットルレバーの間に戻し、2つのねじを差し込んで締めます。

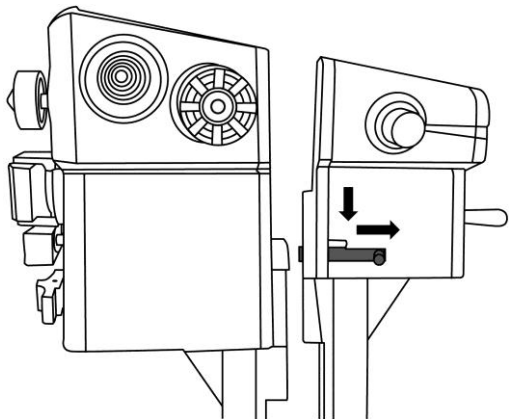
**重要:** アフターバーナー モジュールの破損を防ぐため、取り外し式バーが(2つのネジで)2本のスロットルレバー間に正しく設置されていない場合、スロットルレバーを絶対に使用しないでください。

## 2つのスロットルレバーを連結/分離する

2本のスロットルレバーを連結するには:



スロットルレバーを分離させるには:

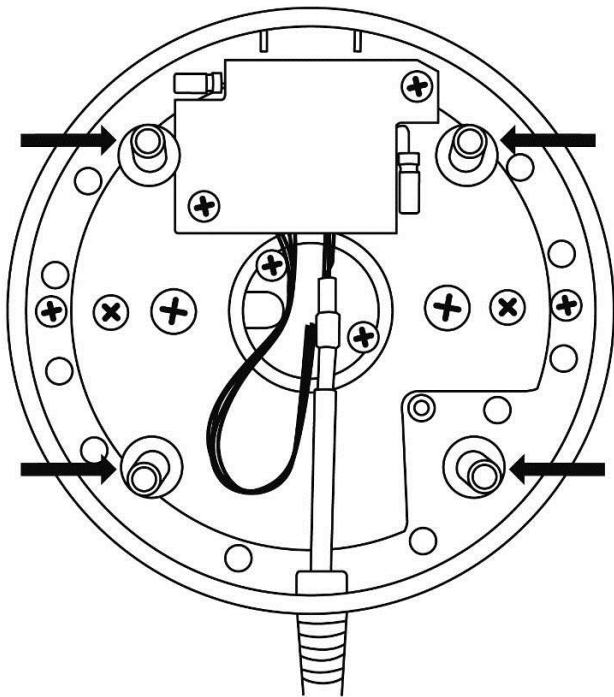




## コックピットまたはその他の場所にジョイスティックを取り付けるには

### コックピットにジョイスティックを取り付けるには:

- ジョイスティックのメタルベースプレートにある 4 つのネジを外して、メタルベースプレートを取り外します。
- ジョイスティックの底面にある 4 つのネジ穴を使い、ジョイスティックを取り付けて固定します。



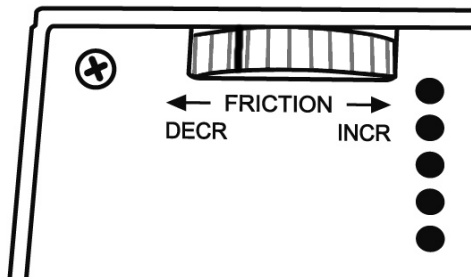
また、ジョイスティックとスロットルのメタルベースプレートの隅にある 4 つのネジ穴を使って、それぞれを取り付けて固定することも可能です。

## 調整可能なスロットル フリクションシステム

- フリクションを強めるには、ステアリングホイールを右方向に回します。
- フリクションを弱めるには、ステアリングホイールを左方向に回します。

### 重要な注意:

- デュアルスロットルのフリクションは、デフォルトの状態では最小にセットされています。
- より精度の高い調節を行うためには、最小フリクションから最大フリクションの間におよそ 10 回転ほど (フル回転) が必要となります。
- ステアリングホイール上の白いマークを目印にすると、ステアリングホイールの回転数を数えやすくなります。



### 下位互換性

新“HOTAS Warthog”のハンドルは、“HOTAS Cougar”のベース部との下位互換性があります (相互)。

HOTAS Cougar に元々搭載されていない CMS プッシュボタン (ボタン 19) だけは機能しません。

### コントロールパネルのバックライト

コントロールパネルのバックライトは、T.A.R.G.E.T.(Thrustmaster Advanced pRogramming Graphical EdiTor の略) から直接有効にしたり、無効にしたりできます。

## 5つのプログラミング可能なLEDを管理

コントロールパネルにある5つのプログラミング可能なLEDは、T.A.R.G.E.T.(Thrustmaster Advanced pROgramming Graphical EdiTOR の略)から直接有効にしたり、無効にしたりできます。

## 著作権

© 2012 Guillemot Corporation S.A. All rights reserved. Thrustmaster® は、Guillemot Corporation S.A. の登録商標です。その他、本書に記載の登録商標およびブランド名は、それぞれの所有者に帰属します。本書に含まれるイラストには法的拘束力はありません。本書に含まれる内容、設計および仕様は、事前の通告なしに変更される場合があります。また、各国で異なる場合があります。中国製。

## 環境保護推奨

国内の電気電子機器のリサイクル法を遵守してください。

リサイクルのための廃機器の収集地点や廃棄方法についての詳細は、お住まいの地域の自治体までお問い合わせください。

この情報は大切に保管してください。色や形状は実際の製品と異なる場合があります。本製品をご使用になる前に、プラスチック留め具や粘着テープなどはすべて取り除いてください。

[www.thrustmaster.com](http://www.thrustmaster.com)

