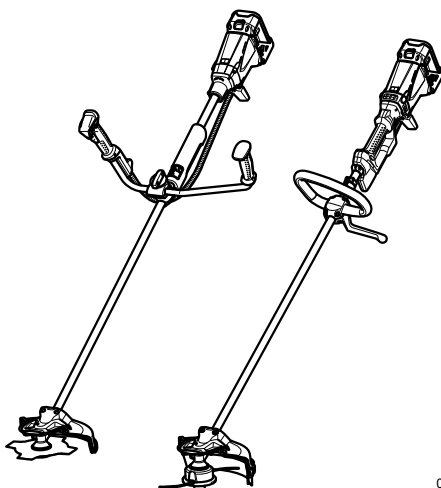




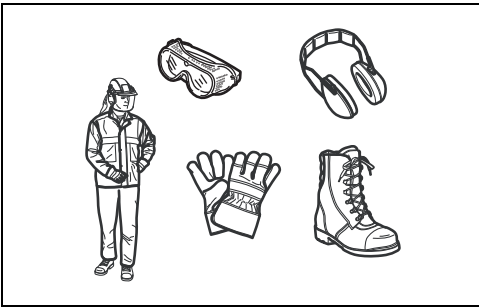
<b>GB</b>	Cordless Brushcutter/ Cordless String Trimmer	Instruction Manual
<b>D</b>	Akku-Freischneider/ Akku-Rasentrimmer	Betriebsanleitung
<b>PL</b>	Kosa akumulatorowa/ Wykaszarka akumulatorowa	Instrukcja obsługi
<b>HU</b>	Vezeték nélküli fűnyíró/ Vezeték nélküli szegélynyíró	Használati utasítás
<b>RO</b>	Motocoasă pentru tufişuri fără cablu/ Motocoasă cu fir fără cablu	Manual de instrucţiuni
<b>SK</b>	Akumulátorový krovinořez/ Akumulátorová strunová kosačka	Návod na obsluhu
<b>CZ</b>	Akumulátorový křovinořez/ Akumulátorová strunová sekačka	Návod k obsluze
<b>UA</b>	Акумуляторний кущоріз/ Акумуляторна кордова газонокосарка	Інструкція з експлуатації

**BBC231U**  
**BBC300L**  
**BC231UD**  
**BC300LD**



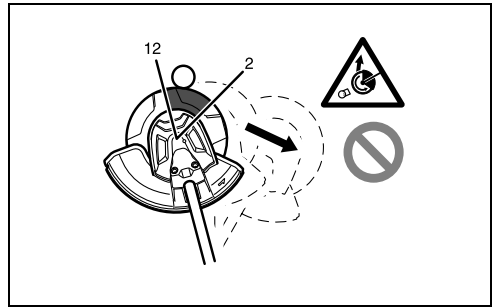
010751





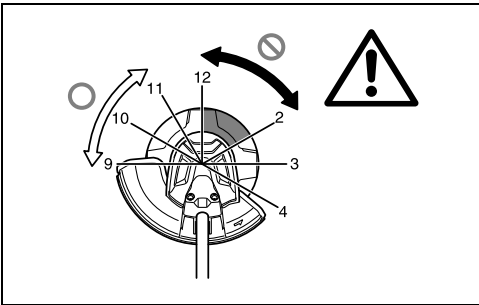
1

013122



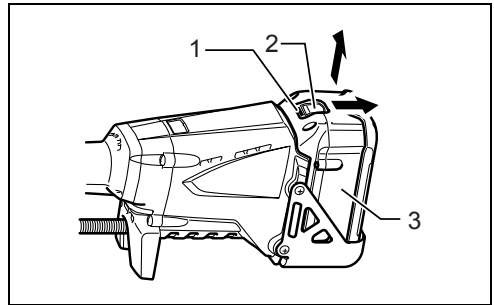
2

010810



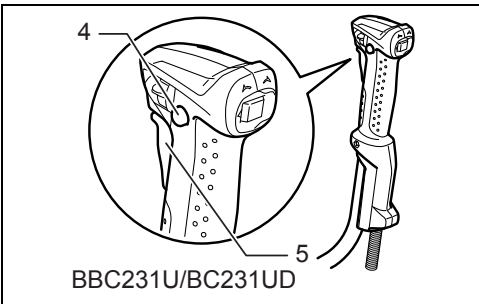
3

010811



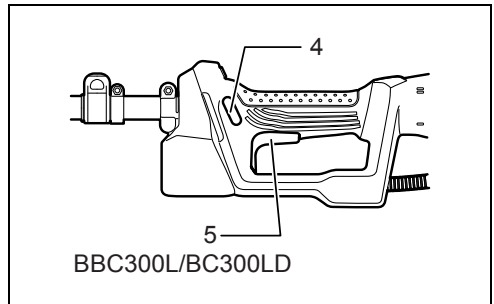
4

010752



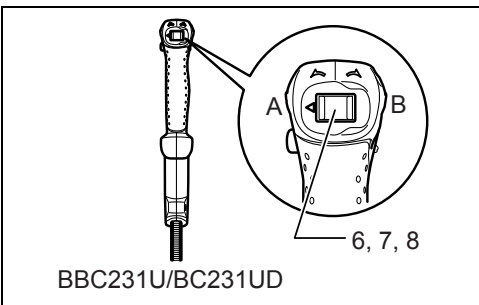
5

011720



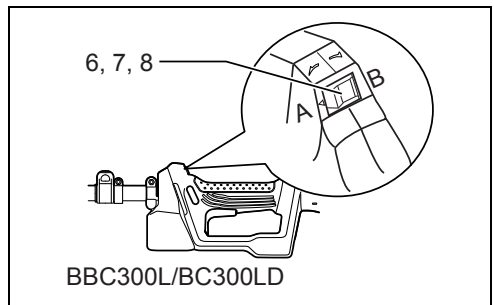
6

011723



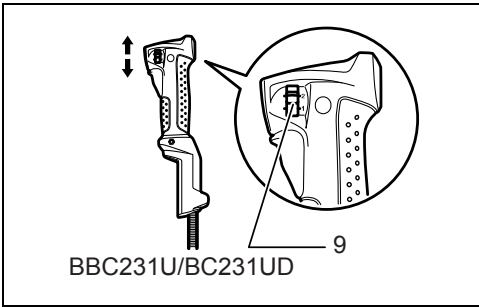
7

011722



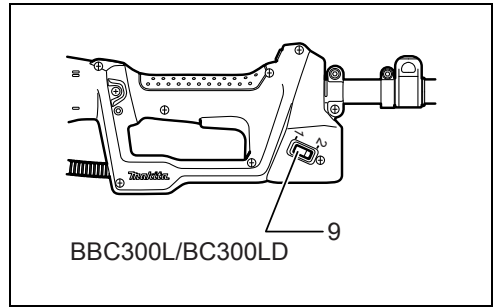
8

011726



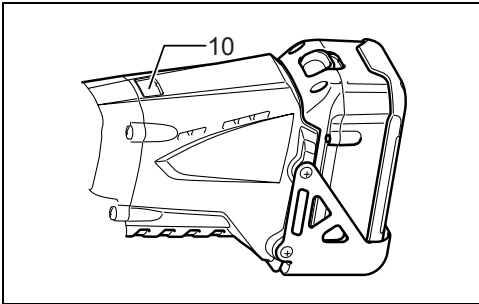
9

011721



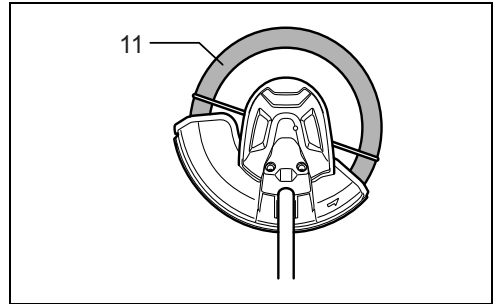
10

011724



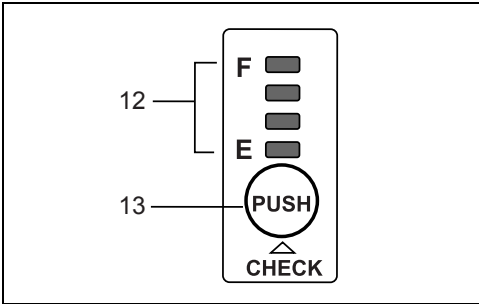
11

010765



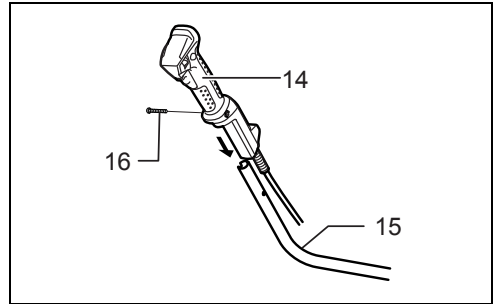
12

010770



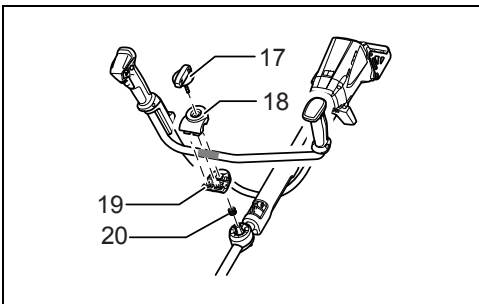
13

011715



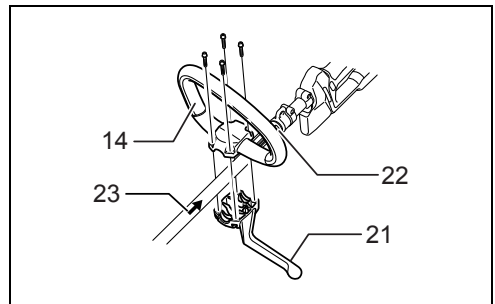
14

012456



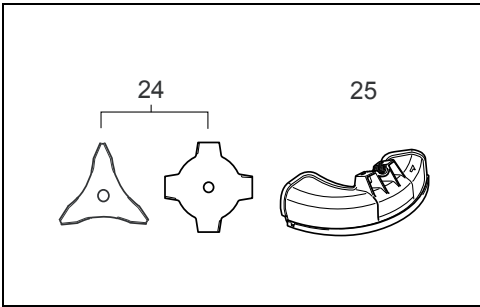
15

011485



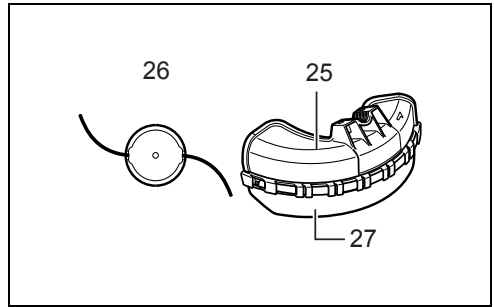
16

013123



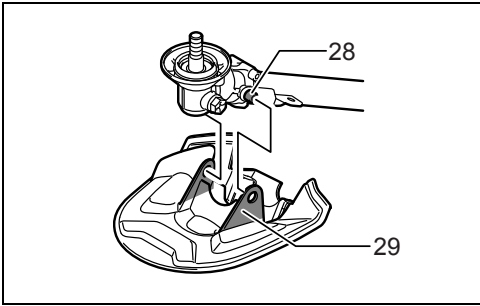
**17**

013140



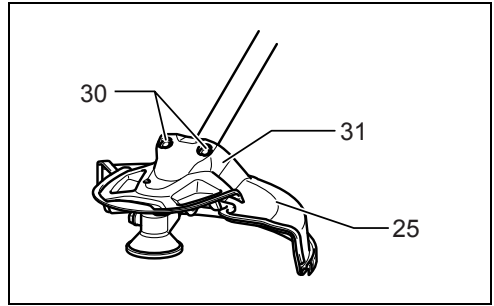
**18**

010768



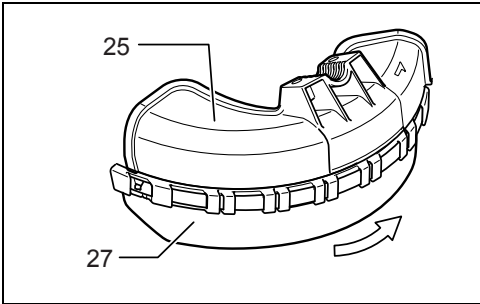
**19**

012457



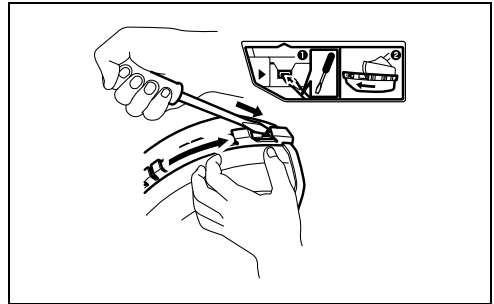
**20**

010778



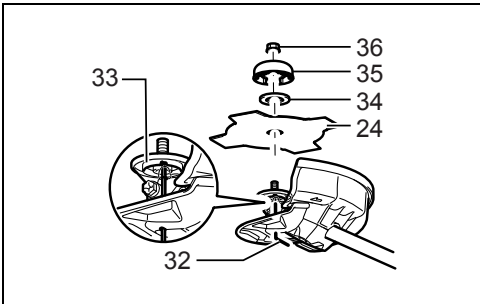
**21**

010777



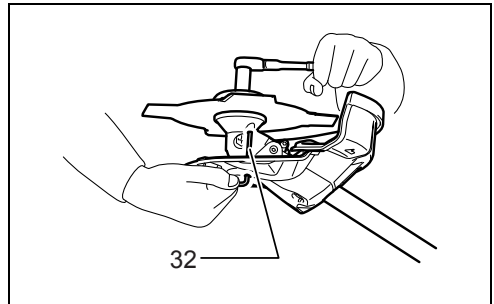
**22**

010849



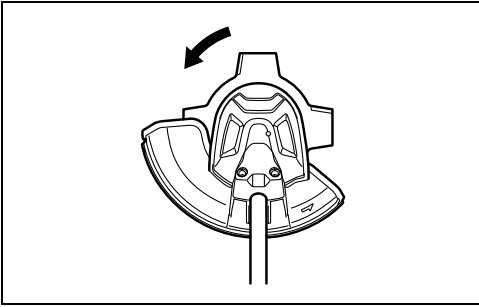
**23**

010756



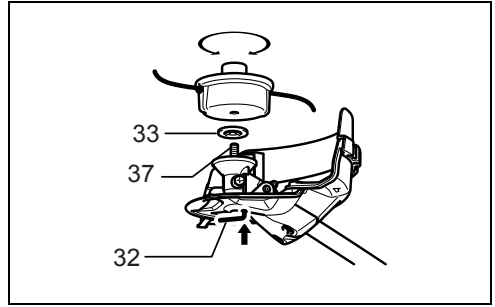
**24**

010757



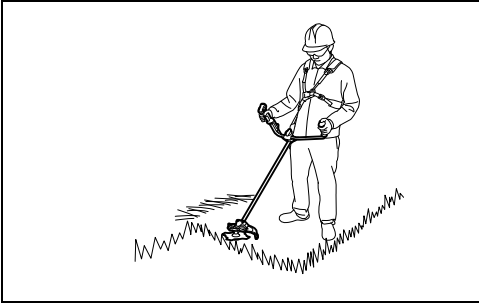
**25**

010758



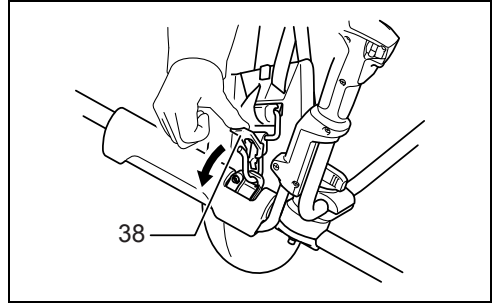
**26**

010769



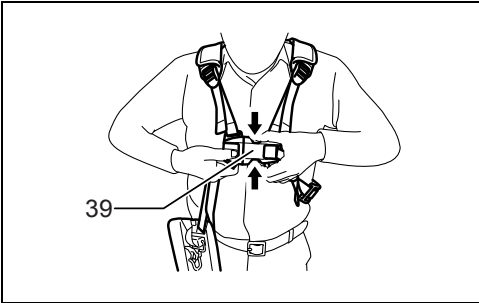
**27**

010753



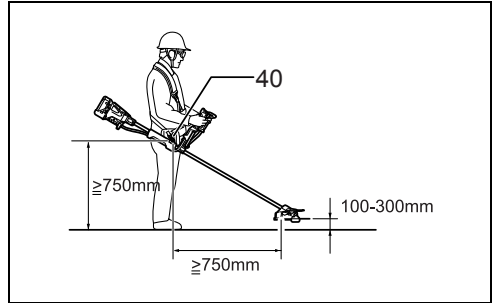
**28**

010760



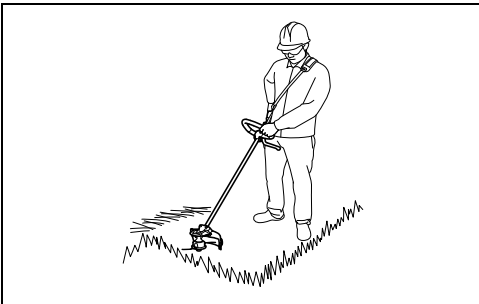
**29**

010759



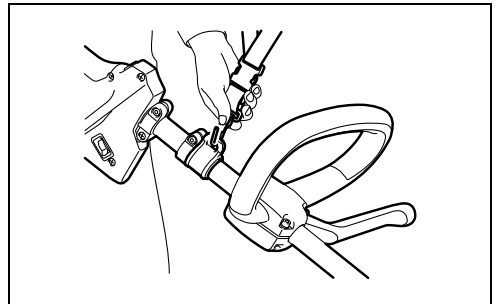
**30**

012478



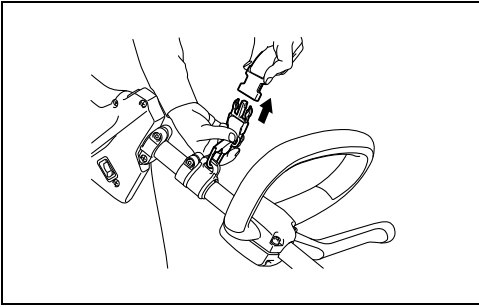
**31**

010767



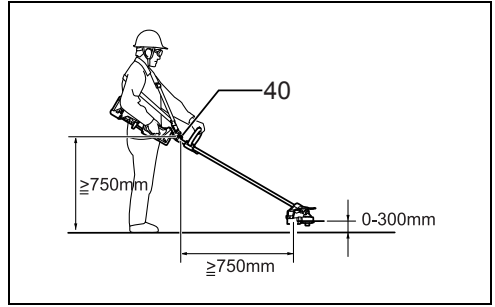
**32**

010816



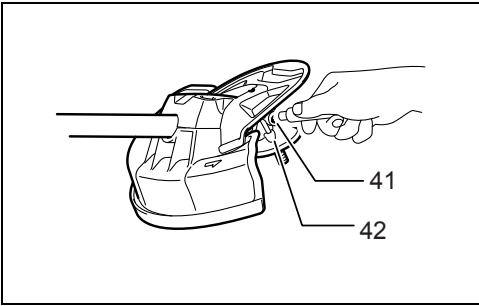
**33**

010817



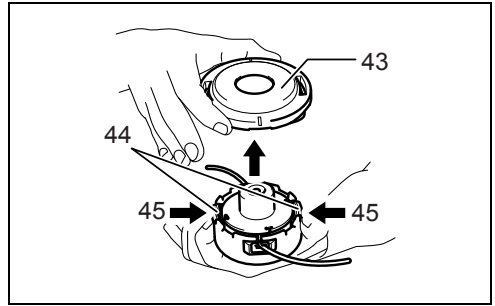
**34**

012479



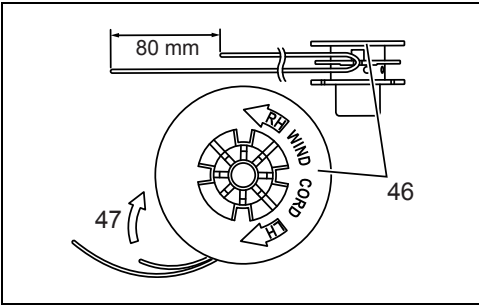
**35**

010812



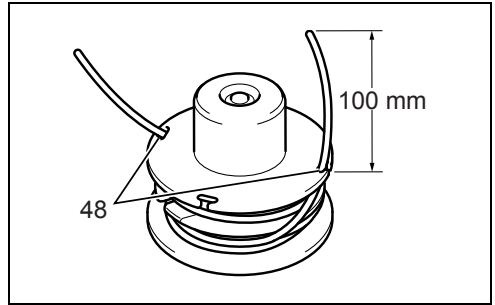
**36**

010772



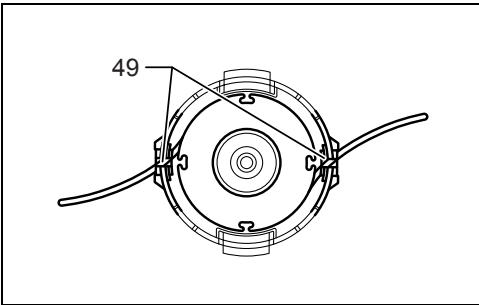
**37**

010992



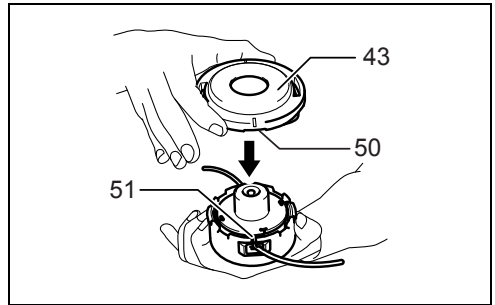
**38**

010993



**39**

010994



**40**

010776

## ENGLISH (Original instructions)

### Explanation of general view

1. Red indicator	17. Knob	35. Cup
2. Slide button	18. Handle clamp	36. Hex nut
3. Battery cartridge	19. Handle holder	37. Threaded spindle
4. Lock-off button	20. Compression spring	38. Lever
5. Switch trigger	21. Barrier	39. Buckle
6. Reversing switch	22. Spacer	40. Hanger
7. A position depressed for normal operation	23. Arrow mark	41. Grease hole
8. B position depressed for weed and debris removal	24. Cutter blade	42. Gear case
9. Speed change switch lever	25. Guard	43. Cover
10. Indication lamp	26. Nylon cutting head	44. Latches
11. Most effective cutting area	27. Guard extension	45. Press
12. Indicator lamps	28. Bolt	46. Spool
13. CHECK button	29. Wing	47. For left hand rotation
14. Grip	30. Two bolts	48. Notches
15. Handle	31. Protector cover	49. Eyelets
16. Screw	32. Hex wrench	50. Protrusion (Not shown)
	33. Receive washer	51. Slot of the eyelet
	34. Clamp washer	

## SPECIFICATIONS

Model		BBC231U/BC231UD		
Type of handle		Bike handle		
No load speed	High	0 - 7,300 min <sup>-1</sup>		
	Low	0 - 5,300 min <sup>-1</sup>		
Overall length		1,880 mm		
Cutting blade diameter		230 mm		
Net weight		7.1 kg		
Rated voltage		D.C. 36 V		
Standard battery cartridge and charger ⚠ Always keep the combinations of battery/charger on the right columns.		<table border="1"> <tr> <td>BL3626 DC36RA</td> <td>BL3622A DC36WA</td> </tr> </table>	BL3626 DC36RA	BL3622A DC36WA
BL3626 DC36RA	BL3622A DC36WA			

Model		BBC300L/BC300LD		
Type of handle		Loop handle		
No load speed	High	0 - 6,600 min <sup>-1</sup>		
	Low	0 - 4,900 min <sup>-1</sup>		
Overall length		1,850 mm		
Cutting diameter with nylon cutting head		300 mm		
Net weight		5.9 kg		
Rated voltage		D.C. 36 V		
Standard battery cartridge and charger ⚠ Always keep the combinations of battery/charger on the right columns.		<table border="1"> <tr> <td>BL3626 DC36RA</td> <td>BL3622A DC36WA</td> </tr> </table>	BL3626 DC36RA	BL3622A DC36WA
BL3626 DC36RA	BL3622A DC36WA			

- Due to our continuing program of research and development, the specifications herein are subject to change without notice.
- Specifications and battery cartridge may differ from country to country.
- Weight, with battery cartridge, according to EPTA-Procedure 01/2003

Noise	Sound pressure level average		Applicable standard
	Model	$L_{PA}$ (dB (A))	
BBC231U/BC231UD	79.7	2.5	ISO22868
BBC300L/BC300LD	79.3	2.5	EN786

- Even if the sound pressure level listed above is 80 dB (A) or less, the level under working may exceed 80 dB (A). Wear ear protection.

Vibration	Left hand		Right hand		Applicable standard
	Model	$a_h$ (m/s <sup>2</sup> )	Uncertainty K (m/s <sup>2</sup> )	$a_h$ (m/s <sup>2</sup> )	
BBC231U/BC231UD	$\leq 2.5$	1.5	$\leq 2.5$	1.5	ISO22867, EN786
BBC300L/BC300LD	$\leq 2.5$	1.5	$\leq 2.5$	1.5	EN786

- ENG901-1
- The declared vibration emission value has been measured in accordance with the standard test method and may be used for comparing one tool with another.
  - The declared vibration emission value may also be used in a preliminary assessment of exposure.













**⚠ WARNING:**

- The vibration emission during actual use of the power tool can differ from the declared emission value depending on the ways in which the tool is used.
- Be sure to identify safety measures to protect the operator that are based on an estimation of exposure in the actual conditions of use (taking account of all parts of the operating cycle such as the times when the tool is switched off and when it is running idle in addition to the trigger time).

**Symbols**

END008-4

The following show the symbols used for the equipment. Be sure that you understand their meaning before use.

-  ..... Take particular care and attention.
-  ..... Read instruction manual.
-  ..... Danger; be aware of thrown objects.
-  ..... The distance between the tool and bystanders must be at least 15 m.
-  ..... Keep bystanders away.
-  ..... Keep distance at least 15 m.
-  ..... Avoid kickback.
-  ..... Wear a helmet, goggles and ear protection.
-  ..... Wear protective gloves.
-  ..... Wear sturdy boots with nonslip soles. Steeltoed safety boots are recommended.
-  ..... Do not expose to moisture.
-  ..... Top permissible tool speed.



..... Only for EU countries  
Do not dispose of electric equipment or battery pack together with household waste material!  
In observance of European Directive 2012/19/EU on waste electric and electronic equipment, 2006/66/EC on batteries and accumulators and waste batteries and accumulators and their implementation in accordance with national laws, electric equipment and battery pack that have reached the end of their life must be collected separately and returned to an environmentally compatible recycling facility.

**For European countries only  
EC Declaration of Conformity**

ENH035-4

**We Makita Corporation as the responsible manufacturer declare that the following Makita machine(s):**

Designation of Machine:  
Cordless Brushcutter  
Model No./ Type: BBC231U, BC231UD  
Specifications: see "SPECIFICATIONS" table.

are of series production and  
**Conforms to the following European Directives:**  
2000/14/EC, 2006/42/EC

And are manufactured in accordance with the following standards or standardised documents:  
EN/ISO11806, EN60745

The technical documentation is kept by:

Makita International Europe Ltd.  
Technical Department,  
Michigan Drive, Tongwell,  
Milton Keynes, Bucks MK15 8JD, England



The conformity assessment procedure required by Directive 2000/14/EC was in Accordance with annex V.  
Measured Sound Power Level: 93.6 dB (A)  
Guaranteed Sound Power Level: 95 dB (A)

2. 10. 2012



Tomoyasu Kato  
Director

Makita Corporation  
3-11-8, Sumiyoshi-cho,  
Anjo, Aichi, 446-8502, JAPAN

**For European countries only  
EC Declaration of Conformity**

ENH040-3

**We Makita Corporation as the responsible  
manufacturer declare that the following Makita  
machine(s):**

Designation of Machine:  
Cordless String Trimmer  
Model No./ Type: BBC300L, BC300LD  
Specifications: see "SPECIFICATIONS" table.

are of series production and

**Conforms to the following European Directives:**

2000/14/EC, 2006/42/EC

And are manufactured in accordance with the following  
standards or standardised documents:

EN709, EN/ISO10517, EN/ISO11680, EN/ISO11806,  
EN60745

The technical documentation is kept by:

Makita International Europe Ltd.  
Technical Department,  
Michigan Drive, Tongwell,  
Milton Keynes, Bucks MK15 8JD, England

The conformity assessment procedure required by  
Directive 2000/14/EC was in Accordance with annex VIII.

Notified Body:

TÜV Rheinland LGA Products GmbH  
Tillystraße 2  
90431 Nürnberg, Germany  
Identification number 0197  
Measured Sound Power Level: 91.3 dB (A)  
Guaranteed Sound Power Level: 93 dB (A)

The EC-Type Examination Certificate No. as a pole saw  
with pole saw attachment is:

4811008.12016

The EC-Type Examination per 2006/42/EC was  
performed by:

DEKRA Testing and Certification GmbH  
Enderstraße 92b  
01277 Dresden, Germany  
Identification No. 2140

2. 10. 2012



Tomoyasu Kato  
Director

Makita Corporation  
3-11-8, Sumiyoshi-cho,  
Anjo, Aichi, 446-8502, JAPAN

## IMPORTANT SAFETY INSTRUCTIONS

GEB068-3

**⚠ WARNING! Read all safety warnings and all  
instructions.** Failure to follow the warnings and  
instructions may result in electric shock, fire and/or  
serious injury.

**Save all warnings and instructions for  
future reference.**

### Intended use

1. The cordless brushcutter/string trimmer is only intended for cutting grass, weeds, bushes and undergrowth. It should not be used for any other purpose such as edging or hedge cutting as this may cause injury.

### General instructions

1. Never allow people unfamiliar with these instructions, people (including children) with reduced physical, sensory or mental capabilities, or lack of experience and knowledge to use the tool. Children should be supervised to ensure that they do not play with the tool.
2. Before starting the tool, read this instruction manual to become familiar with the handling of the tool.
3. Do not lend the tool to a person with insufficient experience or knowledge regarding handling of brushcutters and string trimmers.
4. When lending the tool, always attach this instruction manual.
5. Handle the tool with the utmost care and attention.
6. Never use the tool after consuming alcohol or drugs, or if feeling tired or ill.
7. Never attempt to modify the tool.
8. Follow the regulations about handling of brushcutters and string trimmers in your country.

### Personal protective equipment (Fig. 1)

1. Wear safety helmet, protective goggles and protective gloves to protect yourself from flying debris or falling objects.
2. Wear ear protection such as ear muffs to prevent hearing loss.
3. Wear proper clothing and shoes for safe operation, such as a work overall and sturdy, non-slip shoes. Do not wear loose clothing or jewelry. Loose clothes, jewelry or long hair can be caught in moving parts.
4. When touching the cutting blade, wear protective gloves. Cutting blades can cut bare hands severely.

### Work area safety

1. Operate the tool under good visibility and daylight conditions only. Do not operate the tool in darkness or fog.
2. Do not operate the tool in explosive atmospheres, such as in the presence of flammable liquids, gases or dust. The tool creates sparks which may ignite the dust or fumes.
3. During operation, never stand on an unstable or slippery surface or a steep slope. During the cold season, beware of ice and snow and always ensure secure footing.

4. During operation, keep bystanders or animals at least 15 m away from the tool. Stop the tool as soon as someone approaches.
5. Before operation, examine the work area for stones or other solid objects. They can be thrown or cause dangerous kickback and result in serious injury and/or property damage.
6. **⚠ WARNING:** Use of this product can create dust containing chemicals which may cause respiratory or other illnesses. Some examples of these chemicals are compounds found in pesticides, insecticides, fertilizers and herbicides. Your risk from these exposures varies, depending on how often you do this type of work. To reduce your exposure to these chemicals: work in a well ventilated area, and work with approved safety equipment, such as those dust masks that are specially designed to filter out microscopic particles.
6. Adjust the shoulder harness and hand grip to suit the operator's body size.
7. When inserting a battery cartridge, keep the cutting attachment clear of your body and other object, including the ground. It may rotate when starting and may cause injury or damage to the tool and/or property.

### Operation

#### Electrical and battery safety

1. Do not expose the tool to rain or wet conditions. Water entering the tool will increase the risk of electric shock.
2. Do not use the tool if the switch does not turn it on and off. Any tool that cannot be controlled with the switch is dangerous and must be repaired.
3. Prevent unintentional starting. Ensure the switch is in the off-position before installing a battery pack, picking up or carrying the tool. Carrying the tool with your finger on the switch or energising the tool that have the switch on invites accidents.
4. Recharge only with the charger specified by the manufacturer. A charger that is suitable for one type of battery pack may create a risk of fire when used with another battery pack.
5. Use the tool only with specifically designated battery packs. Use of any other battery packs may create a risk of injury and fire.
6. When battery pack is not in use, keep it away from other metal objects, like paper clips, coins, keys, nails, screws or other small metal objects, that can make a connection from one terminal to another. Shorting the battery terminals together may cause burns or a fire.
7. Under abusive conditions, liquid may be ejected from the battery; avoid contact. If contact accidentally occurs, flush with water. If liquid contacts eyes, seek medical help. Liquid ejected from the battery may cause irritation or burns.
1. In the event of an emergency, switch off the tool immediately.
2. If you feel any unusual condition (e.g. noise, vibration) during operation, switch off the tool. Do not use the tool until the cause is recognized and solved.
3. The cutting attachment continues to rotate for a short period after turning the tool off. Don't rush to contact the cutting attachment.
4. During operation, use the shoulder harness. Keep the tool on your right side firmly.
5. Do not overreach. Keep proper footing and balance at all times. Watch for hidden obstacles such as tree stumps, roots and ditches to avoid stumbling.
6. Never work on a ladder or tree to avoid loss of control.
7. If the tool gets heavy impact or fall, check the condition before continuing work. Check the controls and safety devices for malfunction. If there is any damage or doubt, ask our authorized service center for the inspection and repair.
8. Do not touch the gear case. The gear case becomes hot during operation.
9. Take a rest to prevent loss of control caused by fatigue. We recommend taking a 10 to 20-minute rest every hour.
10. When you leave the tool, even if it is a short time, always remove the battery cartridge. The unattended tool with the battery cartridge installed may be used by unauthorized person and cause serious accident.
11. If grass or branches get caught between the cutting attachment and guard, always turn the tool off and remove the battery cartridge before cleaning. Otherwise the cutting attachment may rotate unintentionally and cause serious injury.
12. If the cutting attachment hits stones or other hard objects, immediately turn the tool off. Then remove the battery cartridge and inspect the cutting attachment.
13. Check the cutting attachment frequently during operation for cracks or damages. Before the inspection, remove the battery cartridge and wait until the cutting attachment stops completely. Replace damaged cutting attachment immediately, even if it has only superficial cracks.
14. Never cut above waist height.
15. Before starting the cutting operation, wait until the cutting attachment reaches a constant speed after turning the tool on.
16. When using metal blades, swing the tool evenly in half-circle from right to left, like using a scythe.

#### Putting into operation

1. Before assembling or adjusting the tool, remove the battery cartridge.
2. Before handling the cutter blade, wear protective gloves.
3. Before installing the battery cartridge, inspect the tool for damages, loose screws/nuts or improper assembly. Sharpen blunt cutter blade. If the cutter blade is bent or damaged, replace it. Check all control levers and switches for easy action. Clean and dry the handles.
4. Never attempt to switch on the tool if it is damaged or not fully assembled. Otherwise serious injury may result.
5. Remove any adjusting key or wrench before turning the tool on. A wrench or a key left attached to a rotating part of the tool may result in personal injury.
1. Use an applicable cutting attachment for the job in hand.
  - Nylon cutting heads (string trimmer heads) are suitable for trimming lawn grass.

- Metal blades are suitable for cutting weeds, high grasses, bushes, shrubs, underwood, thicket, and the like.
  - Never use other blades including metal multi-piece pivoting chains and flail blades. It may result in serious injury.
2. Always use the cutting attachment guard properly suited for the cutting attachment used.
  3. When using metal blades, avoid “kickback” and always prepare for an accidental kickback. See the section “Kickback”.

### Kickback (Blade thrust)

1. Kickback (blade thrust) is a sudden reaction to a caught or bound cutting blade. Once it occurs, the tool is thrown sideways or toward the operator at great force and it may cause serious injury.
2. Kickback occurs particularly when applying the blade segment between 12 and 2 o'clock to solids, bushes and trees with 3 cm or larger diameter. (Fig. 2)
3. To avoid kickback:
  - Apply the segment between 8 and 11 o'clock.
  - Never apply the segment between 12 and 2 o'clock.
  - Never apply the segment between 11 and 12 o'clock and between 2 and 5 o'clock, unless the operator is well trained and experienced and does it at his/her own risk.
  - Never use cutting blades close to solids, such as fences, walls, tree trunks and stones.
  - Never use cutting blades vertically, for such operations as edging and trimming hedges. (Fig. 3)

### Vibration

1. People with poor circulation who are exposed to excessive vibration may experience injury to blood vessels or the nervous system. Vibration may cause the following symptoms to occur in the fingers, hands or wrists: “Falling asleep” (numbness), tingling, pain, stabbing sensation, alteration of skin color or of the skin. If any of these symptoms occur, see a physician!
2. To reduce the risk of “white finger disease”, keep your hands warm during operation and well maintain the tool and accessories.

### Transport

1. Before transporting the tool, turn it off and remove the battery cartridge. Attach the cover to the cutting blade.
2. When transporting the tool, carry it in a horizontal position by holding the shaft.
3. When transporting the tool in a vehicle, properly secure it to avoid turnover. Otherwise damage to the tool and other baggage may result.

### Maintenance

1. Have your tool serviced by our authorized service center, always using only genuine replacement parts. Incorrect repair and poor maintenance can shorten the life of the tool and increase the risk of accidents.
2. Before doing any maintenance or repair work or cleaning the tool, always turn it off and remove the battery cartridge.
3. Always wear protective gloves when handling the cutting blade.
4. Always clean dust and dirt off the tool. Never use gasoline, benzene, thinner, alcohol or the like for the

purpose. Discoloration, deformation or cracks of the plastic components may result.

5. After each use, tighten all screws and nuts.
6. Do not attempt any maintenance or repair not described in the instruction manual. Ask our authorized service center for such work.
7. Always use our genuine spare parts and accessories only. Using parts or accessories supplied by a third party may result in the tool breakdown, property damage and/or serious injury.
8. Request our authorized service center to inspect and maintain the tool at regular interval.

### Storage

1. Before storing the tool, perform full cleaning and maintenance. Remove the battery cartridge. Attach the cover to the cutting blade.
2. Store the tool in a dry and high or locked location out of reach of children.
3. Do not prop the tool against something, such as a wall. Otherwise it may fall suddenly and cause an injury.

### First aid

1. Always have a first-aid kit close by. Immediately replace any item taken from the first aid kit.
2. When asking for help, give the following information:
  - Place of the accident
  - What happened
  - Number of injured persons
  - Nature of the injury
  - Your name

## SAVE THESE INSTRUCTIONS.

### WARNING:

**DO NOT let comfort or familiarity with product (gained from repeated use) replace strict adherence to safety rules for the subject product. MISUSE or failure to follow the safety rules stated in this instruction manual may cause serious personal injury.**

## IMPORTANT SAFETY INSTRUCTIONS

ENC007-7

## FOR BATTERY CARTRIDGE

1. **Before using battery cartridge, read all instructions and cautionary markings on (1) battery charger, (2) battery, and (3) product using battery.**
2. **Do not disassemble battery cartridge.**
3. **If operating time has become excessively shorter, stop operating immediately. It may result in a risk of overheating, possible burns and even an explosion.**
4. **If electrolyte gets into your eyes, rinse them out with clear water and seek medical attention right away. It may result in loss of your eyesight.**
5. **Do not short the battery cartridge:**
  - (1) **Do not touch the terminals with any conductive material.**
  - (2) **Avoid storing battery cartridge in a container with other metal objects such as nails, coins, etc.**

- (3) Do not expose battery cartridge to water or rain.

A battery short can cause a large current flow, overheating, possible burns and even a breakdown.

- 6. Do not store the tool and battery cartridge in locations where the temperature may reach or exceed 50°C (122°F).
- 7. Do not incinerate the battery cartridge even if it is severely damaged or is completely worn out. The battery cartridge can explode in a fire.
- 8. Be careful not to drop or strike battery.
- 9. Do not use a damaged battery.

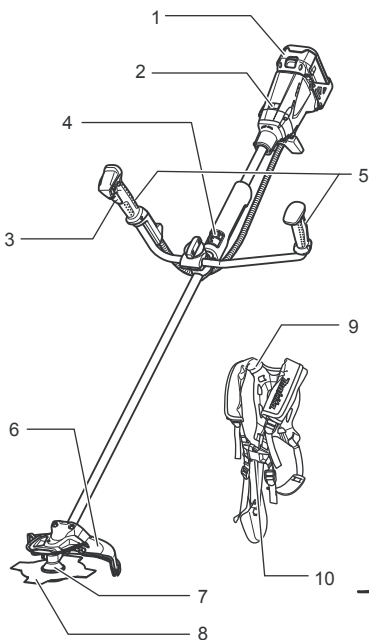
## SAVE THESE INSTRUCTIONS.

### Tips for maintaining maximum battery life

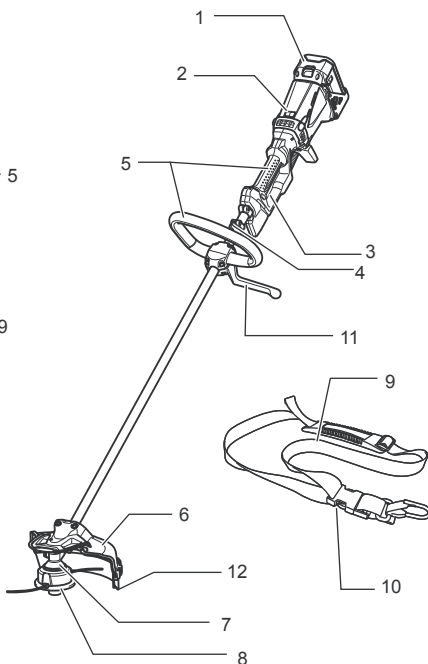
1. Charge the battery cartridge before completely discharged. Always stop tool operation and charge the battery cartridge when you notice less tool power.
2. Never recharge a fully charged battery cartridge. Overcharging shortens the battery service life.
3. Charge the battery cartridge with room temperature at 10°C - 40°C (50°F - 104°F). Let a hot battery cartridge cool down before charging it.
4. Charge the battery cartridge once in every six months if you do not use it for a long period of time.

## PARTS DESCRIPTIONS

BBC231U / BC231UD



BBC300L / BC300LD



1	Battery cartridge	7	Gear case
2	Indication lamp	8	Cutting tool
3	Switch trigger	9	Shoulder harness
4	Hanger (suspension point)	10	Buckle
5	Grip	11	Barrier
6	Guard (cutting attachment guard)	12	Guard extension

## FUNCTIONAL DESCRIPTION

### WARNING:

- **Always be sure that the tool is switched off and battery cartridge is removed before adjusting or checking the functions on the tool.** Failure to switch off and remove the battery cartridge may result in serious personal injury from accidental start-up.

### Installing or removing battery cartridge (Fig. 4)

#### CAUTION:

- Always switch off the tool before installing or removing of the battery cartridge.
- **Hold the tool and the battery cartridge firmly when installing or removing battery cartridge.** Failure to hold the tool and the battery cartridge firmly may cause them to slip off your hands and result in damage to the tool and battery cartridge and a personal injury.

To remove the battery cartridge, slide it from the tool while sliding the button on the front of the cartridge.

To install the battery cartridge, align the tongue on the battery cartridge with the groove in the housing and slip it into place. Insert it all the way until it locks in place with a little click. If you can see the red indicator on the upper side of the button, it is not locked completely.

#### CAUTION:

- Always install the battery cartridge fully until the red indicator cannot be seen. If not, it may accidentally fall out of the tool, causing injury to you or someone around you.
- Do not install the battery cartridge forcibly. If the cartridge does not slide in easily, it is not being inserted correctly.

### Power switch action

#### WARNING:

- **Before inserting the battery cartridge in the tool, always check to see that the switch trigger actuates properly and returns to the “OFF” position when released. Do not pull the switch trigger hard without pressing in the lock-off button. This can cause switch breakage.** Operating a tool with a switch that does not actuate properly can lead to loss of control and serious personal injury. (Fig. 5 & 6)

To prevent the switch trigger from being accidentally pulled, a lock-off button is provided. To start the tool, press in the lock-off button and pull the switch trigger. The tool speed is increased by increasing pressure on the switch trigger. Release the switch trigger to stop.

### Reversing Switch for Debris Removal (Fig. 7 & 8)

This tool has a reversing switch which is only provided to change the direction of rotation so that it can be used to remove weeds and debris entangled in the tool. To operate the tool normally the “A” side of the switch should be depressed.

To remove weeds and debris that are jammed in the rotating head the tool can be reversed by depressing the “B” side of the switch. In the reverse position the tool will

only operate for a short period of time and automatically shut off.

#### WARNING:

- **Always be sure that the tool is switched off and battery cartridge is removed before removing weeds or debris entangled in the tool that could not be removed when operated in the reverse mode.** Failure to switch off and remove the battery cartridge may result in serious personal injury from accidental start-up.

#### NOTICE:

- Always check the direction of rotation before operation.
- Use the reversing switch only after the tool comes to a complete stop. Changing the direction of rotation before the tool stops may damage it.

### Speed change (Fig. 9 & 10)



Two speed ranges can be preselected with the speed change switch.

Flipping the speed change switch lever to the “1” position will set the tool to the low speed range and the “2” position will set the tool to the high speed range.

### Battery/motor protection system

The battery cartridge and tool are provided with protection devices that will automatically reduce or cut off power to the tool when overload situations develop that may cause damage to the tool or battery cartridge. If the tool becomes overloaded but not locked up a protector is provided to reduce the revolutions to protect the motor. In this case the two indicator lamps described in the table below do not light or blink.

All other protection functions can be identified by the indicator lights described in the table below. (Fig. 11)

		Status	Action to be taken
-	Blinking	Battery power has been nearly used up.	Replace the battery with fully charged one.
-	Lighting On	Battery protector is shutting off the power - battery power has been used up.	Replace the battery with fully charged one.
Blinking	-	Overload protector is shutting off the power - the motor was locked.	Release the switch trigger and remove the cause of the motor lock or overload. If the cutting tool is locked by entangling weeds or the like, always remove the battery cartridge before clearing it.
Lighting On	-	Overheat protector is shutting off the power - overheating.	Rest the equipment for a while.
Blinking	Blinking	Electric or electronic malfunction	Ask your local authorized service center for repairs.

010823

## Nylon cutting head (optional accessory for a product that comes with a cutter blade)

### NOTICE:

- Do not attempt to bump feed the head while the tool is operating at a high RPM. Bump feeding at a high RPM may cause damage to the nylon cutting head.
- The bump feed will not operate properly if the head is not rotating. (Fig. 12)














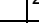
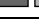
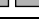
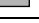
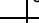
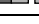
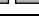
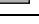
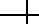








The nylon cutting head is a dual string trimmer head provided with a bump & feed mechanism. To cause the nylon cord to feed out, the cutting head should be bumped against the ground while rotating at a low RPM. As the nylon cord is feeding out it will automatically be cut to the proper length by the cutters on the guard extension.

### NOTE:

If the nylon cord does not feed out while bumping the head, rewind/replace the nylon cord by following the procedures described under "Maintenance."

## Battery remaining capacity indicator (only for models with Battery BL3622A)

Battery BL3622A is equipped with the battery remaining capacity indicator. (Fig. 13)  
Press the CHECK button to indicate the battery remaining capacity. The indicator lamps will then light for approx. three seconds.

Indicator lamps			Remaining capacity
 Lighted	 Off	 Blinking	
E    F			70% to 100%
   			45% to 70%
   			20% to 45%
   			0% to 20%
   			Charge the battery.
        ↑			The battery may have malfunctioned.

011713

- When only the lowermost indicator lamp (next to the "E") blinks, or when none of the indicator lamps light, the battery capacity has run out, so the tool does not operate. In these cases, charge the battery or replace the empty battery with a fully charged one.
- When two or more indicator lamps do not light even after charging is complete, the battery has reached the end of its service life.
- When the upper two and lower two indicator lamps light alternately, the battery may have malfunctioned. Contact your local Makita authorized service center.

### NOTE:

- The indicated capacity may be lower than the actual level during use or immediately after using the tool.
- Depending on the conditions of use and the ambient temperature, the indication may differ slightly from the actual capacity.

## ASSEMBLY

### WARNING:

- Always be sure that the tool is switched off and battery cartridge is removed before carrying out any work on the tool. Failure to switch off and remove

the battery cartridge may result in serious personal injury from accidental start-up.

- **Never start the tool unless it is completely assembled.** Operation of the tool in a partially assembled state may result in serious personal injury from accidental start-up.

## Installing the handle

### For model BBC231U, BC231UD

Insert the shaft of the handle into the grip as shown. Align the screw hole in the grip with the one in the shaft. Tighten the screw securely. (Fig. 14)

Loosen knob.

Place handle between handle clamp and handle holder. Adjust the handle to an angle that provides a comfortable working position and then secure by firmly hand-tightening knob. (Fig. 15)

### For model BBC300L, BC300LD (Fig. 16)

Fit the barrier and grip onto the shaft pipe with four screws. Make sure that the grip/barrier assembly is fitted between the spacer and the arrow mark.

Position the barrier on the left side of the tool. Then tighten four screws so that the grip/barrier assembly cannot move or rotate on the shaft pipe.

#### **WARNING:**

- **Do not remove or shrink the spacer.** The spacer keeps a certain distance between both hands. Setting the grip/barrier assembly close to the other grip beyond the length of the spacer may cause loss of control and serious personal injury.

## Installing the guard (Fig. 17 & 18)

#### **WARNING:**

- **Never use the tool without the guard illustrated in place.** Failure to do so can cause serious personal injury.

#### **CAUTION:**

- **While installing the guard extension be careful not to contact the sharp nylon cord cutter provided on the guard extension.** Contact with the cutter could result in personal injury.

Attach the protector cover onto the gear case. Slightly push the wings outward and put the bolts into the holes in the wings. (Fig. 19)

#### **NOTICE:**

- **Do not push the wings outward too much.** Otherwise it may break.

Fix the guard to the clamp with two bolts as shown.

Tighten the right and left bolts evenly. (Fig. 20)

When using a nylon cutting head, mount the guard extension. Place the guard extension onto the mounting track provided on the lower edge of the guard. And slide it into position until the guard extension clicks and locks into place. The guard extension is designed so that it will only mount onto the guard in one direction. (Fig. 21)

#### **NOTE:**

- Remove tape adhered to cutter, which cuts nylon cord, on guard extension at the first use. (Fig. 22)

To remove the guard extension, use a flat-blade screwdriver and place it into the small notch provided on the locking nub. To unlock the guard extension press

down on the locking nub while sliding the lower guard extension in the direction indicated in the figure. Once the guard extension starts to slide it is unlocked and can be removed by continuing to slide it off of the guard.

## Installing the cutter blade

#### **WARNING:**

- **The outside diameter of the cutter blade must be 230 mm.** Never use any blade exceeding 230 mm in outside diameter.

#### **CAUTION:**

- The cutter blade must be well polished, free of cracks or breakage. Polish or replace the cutter blade every three hours of operation.
- Always wear gloves when handling the cutter blade.
- Always attach the blade cover when the tool is not in use or is being transported.
- The cutter blade-fastening nut (with spring washer) is a consumable part. If there appears any wear or deformation on the spring washer, replace the nut. Ask your local authorized service center to order it.

#### **NOTICE:**

- Be sure to use genuine Makita cutter blade.

Turn the tool upside down so that you can replace the cutter blade easily. (Fig. 23)

To dismount the cutter blade, insert the hex wrench through the hole on the protector cover and gear case. Rotate the receive washer until it is locked with the hex wrench. Loosen the hex nut (left-hand thread) with the socket wrench and remove the nut, cup, clamp washer and hex wrench. (Fig. 24)

Mount the cutter blade onto the shaft so that the guide of the receive washer fits in the arbor hole in the cutter blade. Install the clamp washer, cup, and secure the cutter blade with the hex nut with 13 to 23 Nm of tightening torque during holding the receive washer with hex wrench. (Fig. 25)

Make sure that the blade is the left way up.

## Installing nylon cutting head

#### **CAUTION:**

- **Only use the nylon cutting head with the guard and guard extension in place.** Failure to do so can cause serious personal injury.

#### **NOTICE:**

- Be sure to use genuine Makita nylon cutting head.

Turn the tool upside down so that you can replace the nylon cutting head easily. (Fig. 26)

Insert the hex wrench through the hole on the protector cover and the gear case and rotate the receive washer until it is locked with the hex wrench. Mount the nylon cutting head onto the threaded spindle directly and tighten it by turning it counterclockwise. Remove the hex wrench. To remove the nylon cutting head, turn the nylon cutting head clockwise while holding the receive washer with the hex wrench.

#### **CAUTION:**

- **If during operation the nylon cutting head accidentally impacts a rock or hard object the trimmer should be stopped and inspected for any damage. If the nylon cutting head is damaged it should be replaced immediately.** Use of a damaged



nylon cutting head could result in serious personal injury.

## OPERATION

### Correct handling of tool (BBC231U, BC231UD)

#### Correct posture

##### WARNING:

- **Always position the tool on your right-hand side so that the shaft of the left handle is always in front of your body.** Correct positioning of the tool allows for maximum control and will reduce the risk of serious personal injury caused by kickback.

As shown in the figure fit the shoulder harness and hang the tool firmly on your right side so that the shaft of the left handle is always ahead of you. (Fig. 27)

#### Attachment of shoulder harness (Fig. 28)

Wear the shoulder harness on your back and buckle it up until a click is heard. Make sure that it cannot be taken off with pulling it off. Hang the tool as shown.

#### Detachment (Fig. 29)

The buckle is provided with a means of quick release which can be accomplished by simply squeezing the sides and the buckle.

##### WARNING:

- **Be extremely careful to maintain control of the tool at this time. Do not allow the tool to be deflected toward you or anyone in the work vicinity.** Failure to do so could result in serious injury.

#### Adjustment of the hanger position and shoulder harness

When replacing an accessory with another, the weight balance of the tool may change. In such case, adjust the hanger position and shoulder harness length as follows. To change the hanger position, loosen the fixing screw on the hanger with the supplied wrench and then move the hanger and the cushion. The cushion can be moved easily by twisting it.

Adjust the hanger position and shoulder harness length so that:

- the hanger positions 750 mm or higher from the ground,
- the cutting tool positions 100 mm to 300 mm high from the ground and
- the unguarded part of cutting tool is horizontally 750 mm or farther away from the hanger. (Fig. 30)

After adjusting the hanger position, tighten the screw with the wrench securely.

### Correct handling of tool (BBC300L, BC300LD)

#### Correct posture

##### WARNING:

- **Always position the tool on your right-hand side so that the barrier is always in front of your body.** Correct positioning of the tool allows for maximum control and will reduce the risk of serious personal injury caused by kickback.

As shown in the figure, put the shoulder harness on your left shoulder by putting your head and right arm through it and keep the tool on your right side while always keeping the barrier in front of your body. (Fig. 31)

#### Attachment of shoulder harness (Fig. 32)

After putting the shoulder harness on it can be attached to the tool by connecting the buckles provided on both the tool hook and the harness. Be sure that the buckles click and lock completely in place.

#### Detachment (Fig. 33)

The buckle is provided with a means of quick release which can be accomplished by simply squeezing the sides and the buckle.

##### WARNING:

- **Be extremely careful to maintain control of the tool at all times. Do not allow the tool to be deflected toward you or anyone in the work vicinity.** Failure to keep control of the tool could result in serious injury to the bystander and the operator.

#### Adjustment of the hanger position and shoulder harness

When replacing an accessory with another, the weight balance of the tool may change. In such case, adjust the hanger position and shoulder harness length as follows. To change the hanger position, loosen the fixing screw on the hanger with the supplied wrench and then move the hanger.

Adjust the hanger position and shoulder harness length so that:

- the hanger positions 750 mm or higher from the ground,
- the cutting tool positions up to 300 mm high from the ground and
- the unguarded part of cutting tool is horizontally 750 mm or farther away from the hanger. (Fig. 34)

After adjusting the hanger position, tighten the screw with the wrench securely.

## MAINTENANCE

##### WARNING:

- **Always be sure that the tool is switched off and battery cartridge is removed before attempting to perform inspection or maintenance on the tool.** Failure to switch off and remove the battery cartridge may result in serious personal injury from accidental start-up.

##### NOTICE:

- Never use gasoline, benzene, thinner, alcohol or the like. Discoloration, deformation or cracks may result.

#### Supply of grease to gear case (Fig. 35)

Supply grease (Shell Alvania 2 or equivalent) to the gear case through the grease hole every 30 hours. (Genuine Makita grease may be purchased from your Makita dealer.)

#### Replacing the nylon cord

##### WARNING:

- **Always be sure that the tool is switched off and battery cartridge is removed before attempting to perform inspection or maintenance on the tool.**



Failure to switch off and remove the battery cartridge may result in serious personal injury from accidental start-up.

- **Make sure that the cover of the nylon cutting head is secured to the housing properly as described below.** Failure to properly secure the cover may cause the nylon cutting head to fly apart resulting in serious personal injury. **(Fig. 36)**

Press inward on the housing latches and lift upward to remove the cover. Discard any of the remaining nylon cord. **(Fig. 37)**

Hook the middle of the new nylon cord to the notch located at the center of the spool between the 2 channels provided for the nylon cord. One side of the cord should be about 80mm longer than the other side.

Wind both ends firmly around the spool in the direction marked on the head for left hand direction indicated by LH. **(Fig. 38)**

Wind all but about 100 mm of the cords, leaving the ends temporarily hooked through a notch on the side of the spool. **(Fig. 39)**

Mount the spool in the housing so that the grooves and protrusions on the spool match up with those in the housing. Keep the side with letters on the spool visible on the top. Now, unhook the ends of the cord from their temporary position and feed the cords through the eyelets to come out of the housing. **(Fig. 40)**

Align the protrusion on the underside of the cover with the slots of the eyelets. Then push cover firmly onto the housing to secure it. Make sure the latches fully spread in the cover.

To maintain product SAFETY and RELIABILITY, repairs, any other maintenance or adjustment should be performed by Makita Authorized Service Centers, always using Makita replacement parts.

## TROUBLE SHOOTING

Before asking for repairs, conduct your own inspection first. If you find a problem that is not explained in the manual, do not attempt to dismantle the tool. Instead, ask Makita Authorized Service Centers, always using Makita replacement parts for repairs.

Malfunction status	Cause	Action
Motor does not run.	Battery cartridge is not installed.	Install the battery cartridge.
	Battery problem (under voltage)	Recharge the battery. If recharging is not effective, replace battery.
	The drive system does not work correctly.	Ask your local authorized service center for repair.
Motor stops running after a little use.	Rotation is reverse.	Change the direction of rotation with the reversing switch.
	Battery's charge level is low.	Recharge the battery. If recharging is not effective, replace battery.
	Overheating.	Stop using of tool to allow it to cool down.
It does not reach maximum RPM.	Battery is installed improperly.	Install the battery cartridge as described in this manual.
	Battery power is dropping.	Recharge the battery. If recharging is not effective, replace battery.
	The drive system does not work correctly.	Ask your local authorized service center for repair.
Cutting tool does not rotate: stop the machine immediately!	Foreign object such as a branch is jammed between the guard and the nylon cutting head or cutter blade.	Remove the foreign object.
	Cutter blade fastening nut is loose.	Tighten the nut properly as described in this manual.
	The cutter blade is bended.	Replace the cutter blade.
	The drive system does not work correctly.	Ask your local authorized service center for repair.
Abnormal vibration: stop the machine immediately!	One of nylon cord has been broken and the head got unbalanced.	Bump the nylon cutting head against the ground while it is rotating to cause the cord to feed.
	The cutter blade is bended, cracked or worn.	Replace the cutter blade.
	Cutter blade fastening nut is loose.	Tighten the nut properly as described in this manual.
	Cutter blade is fastened improperly.	Ask your local authorized service center for repair.
Cutting tool and motor cannot stop: Remove the battery immediately!	The drive system does not work correctly.	Ask your local authorized service center for repair.
	Electric or electronic malfunction.	Remove the battery and ask your local authorized service center for repair.

010824

## OPTIONAL ACCESSORIES

### CAUTION:

- These accessories or attachments are recommended for use with your Makita tool specified in this manual. The use of any other accessories or attachments might present a risk of injury to persons. Only use accessory or attachment for its stated purpose.

If you need any assistance for more details regarding these accessories, ask your local Makita Service Center.

- Cutter blade
- Nylon cutting head
- Pole hedge trimmer attachment (for model BBC300L, BC300LD)
- Pole saw attachment (for model BBC300L, BC300LD)
- Cultivator attachment (for model BBC300L, BC300LD)
- Makita genuine battery and charger

### NOTE:

- Some items in the list may be included in the tool package as standard accessories. They may differ from country to country.

# DEUTSCH (Originalanweisungen)

## Erklärung der Gesamtdarstellung

1. Roter Bereich	16. Schraube	34. Klemmscheibe
2. Schiebetaste	17. Knauf	35. Kappe
3. Akkublock	18. Griffklemme	36. Sechskantmutter
4. Entriegelungstaste	19. Griffhalterung	37. Gewindespindel
5. Ein/Aus-Schalter	20. Druckfeder	38. Hebel
6. Umschalter	21. Sperre	39. Gurtschloss
7. A Position gedrückt für Normalbetrieb	22. Distanzstück	40. Aufhänger
8. B Position gedrückt für Entfernen von Unkraut und Ablagerungen	23. Pfeilmarkierung	41. Schmierloch
9. Schalter zur Änderung der Drehzahl	24. Schneidklinge	42. Getriebegehäuse
10. Anzeige	25. Schutz	43. Abdeckung
11. Effektivster Schnittbereich	26. Nylon-Schneidkopf	44. Riegel
12. Anzeigelampen	27. Schutzverlängerung	45. Drücken
13. Taste CHECK	28. Schraube	46. Spule
14. Griff	29. Flügel	47. Für Linke-Hand-Drehung
15. Stiel	30. Zwei Bolzen	48. Einkerbungen
	31. Schutzabdeckung	49. Seilführungen
	32. Inbusschlüssel	50. Vorsprung (nicht abgebildet)
	33. Aufnahmescheibe	51. Schlitz der Seilführung

## TECHNISCHE DATEN

Modell		BBC231U/BC231UD	
Grifftyp		Fahrradgriff	
Leerlaufdrehzahl	Hoch	0 bis 7.300 min <sup>-1</sup>	
	Niedrig	0 bis 5.300 min <sup>-1</sup>	
Gesamtlänge		1.880 mm	
Durchmesser des Schneidblatts		230 mm	
Nettogewicht		7,1 kg	
Nennspannung		36 V Gleichspannung	
Standard-Akkublock und Ladegerät ⚠ Verwenden Sie ausschließlich die in den Spalten rechts aufgeführten Kombinationen aus Akku und Ladegerät.		BL3626 DC36RA	BL3622A DC36WA

Modell		BBC300L/BC300LD	
Grifftyp		Bügelgriff	
Leerlaufdrehzahl	Hoch	0 bis 6.600 min <sup>-1</sup>	
	Niedrig	0 bis 4.900 min <sup>-1</sup>	
Gesamtlänge		1.850 mm	
Schneiddurchmesser mit Nylon-Schneidkopf		300 mm	
Nettogewicht		5,9 kg	
Nennspannung		36 V Gleichspannung	
Standard-Akkublock und Ladegerät ⚠ Verwenden Sie ausschließlich die in den Spalten rechts aufgeführten Kombinationen aus Akku und Ladegerät.		BL3626 DC36RA	BL3622A DC36WA

- Aufgrund unserer beständigen Forschungen und Weiterentwicklungen sind Änderungen an den hier angegebenen Technischen Daten ohne Vorankündigung vorbehalten.
- Die Technischen Daten und der Akkublock können in den einzelnen Ländern Abweichungen aufweisen.
- Gewicht, mit Akkublock, ermittelt gemäß EPTA-Verfahren 01/2003

Geräuschpegel	Durchschnittlicher Schalldruckpegel		Geltender Standard
	Modell	$L_{PA}$ (dB (A))	
BBC231U/BC231UD	79,7	2,5	ISO22868
BBC300L/BC300LD	79,3	2,5	EN786

- Auch wenn der oben angegebene Schalldruckpegel 80 dB (A) oder weniger beträgt, kann der Pegel beim Arbeiten 80 dB (A) übersteigen. Tragen Sie Gehörschutz!

Schwingung	Linke Hand		Rechte Hand		Geltender Standard
	Modell	$a_h$ (m/s <sup>2</sup> )	Abweichung K (m/s <sup>2</sup> )	$a_h$ (m/s <sup>2</sup> )	
BBC231U/BC231UD	$\leq 2,5$	1,5	$\leq 2,5$	1,5	ISO22867, EN786
BBC300L/BC300LD	$\leq 2,5$	1,5	$\leq 2,5$	1,5	EN786

ENG901-1

- Der hier angegebene Wert für die erzeugten Schwingungen wurde gemäß dem genormten Testverfahren ermittelt und kann als Vergleich zu anderen Werkzeugen herangezogen werden.
- Der angegebene Wert für die erzeugten Schwingungen ist außerdem für eine vorbeugende Bewertung der Belastung zu verwenden.

### ⚠️ WARNUNG:

- Die Schwingungsbelastung kann bei tatsächlichem Gebrauch des Elektrowerkzeugs in Abhängigkeit von der Handhabung des Elektrowerkzeugs von dem hier aufgeführten Wert abweichen.
- Stellen Sie sicher, dass Schutzmaßnahmen für den Bediener getroffen werden, die auf den unter den tatsächlichen Arbeitsbedingungen zu erwartenden Belastungen beruhen (beziehen Sie alle Bestandteile des Arbeitsablaufs ein, also zusätzlich zu den Arbeitszeiten auch Zeiten, in denen das Werkzeug ausgeschaltet ist oder ohne Last läuft).


### Symbole


END008-4


Im Folgenden sind die im Zusammenhang mit diesem Werkzeug verwendeten Symbole dargestellt. Machen Sie sich vor der Benutzung des Werkzeugs unbedingt mit diesen Symbolen vertraut!


 ..... Besondere Aufmerksamkeit erforderlich!


 ..... Lesen Sie die vorliegende Betriebsanleitung.


 ..... Gefahr; achten Sie auf umherfliegende Gegenstände.


 ..... Der Abstand zwischen Werkzeug und Umstehenden muss mindestens 15 m betragen.


 ..... Halten Sie Umstehende fern.


 ..... Halten Sie einen Abstand vom mindestens 15 m ein.


 ..... Vermeiden Sie einen Rückschlag.


 ..... Tragen Sie stets Helm, Schutzbrille und Gehörschutz.

 ..... Tragen Sie Schutzhandschuhe.

 ..... Tragen Sie festes Schuhwerk mit rutschfester Sohle. Empfohlen werden Arbeitsschutzschuhe mit Stahlkappen.

 ..... Setzen Sie das Werkzeug keiner Feuchtigkeit aus.

 ..... Maximal zulässige Drehzahl des Werkzeugs

 ..... Nur für EU-Länder  
Entsorgen Sie Elektrowerkzeuge, Batterien und Akkus nicht über den Hausmüll!  
Gemäß Europäischer Richtlinie 2012/19/EU über Elektro- und Elektronik-Altgeräte, 2006/66/EG über Batterien und Akkumulatoren sowie Altbatterien und Altakkumulatoren und Umsetzung in nationales Recht müssen verbrauchte Elektrowerkzeuge, Altbatterien und Altakkumulatoren getrennt gesammelt und einer umweltgerechten Wiederverwertung zugeführt werden.

### Nur für europäische Länder EG-Konformitätserklärung

ENH035-4

**Wir, Makita Corporation als verantwortlicher Hersteller, erklären, dass die folgenden Geräte der Marke Makita:**

Bezeichnung des Geräts:  
Akku-Freischneider  
Nummer / Typ des Modells: BBC231U, BC231UD  
Technische Daten: siehe Tabelle „TECHNISCHE DATEN“.

in Serienfertigung hergestellt werden und den folgenden Richtlinien der Europäischen Union genügen:

2000/14/EG, 2006/42/EG

Außerdem werden die Geräte gemäß den folgenden Standards oder Normen gefertigt:  
EN/ISO11806, EN60745

Die technische Dokumentation erfolgt durch:  
Makita International Europe Ltd.  
Technical Department,  
Michigan Drive, Tongwell,  
Milton Keynes, Bucks MK15 8JD, England

Das Verfahren zur Konformitätsbewertung, vorgesehen in 2000/14/EG, erfolgte in Übereinstimmung mit Anhang V. Gemessener Schallleistungspegel: 93,6 dB (A) Garantierter Schallleistungspegel: 95 dB (A)

2. 10. 2012



Tomoyasu Kato  
Direktor  
Makita Corporation  
3-11-8, Sumiyoshi-cho,  
Anjo, Aichi, 446-8502, JAPAN

Die EU-Baumusterprüfung nach 2006/42/EG wurde durchgeführt von:

DEKRA Testing and Certification GmbH  
Enderstraße 92b  
01277 Dresden, Deutschland  
Kennnummer der benannten Stelle: 2140

2. 10. 2012



Tomoyasu Kato  
Direktor  
Makita Corporation  
3-11-8, Sumiyoshi-cho,  
Anjo, Aichi, 446-8502, JAPAN

**Nur für europäische Länder**

ENH040-3

**EG-Konformitätserklärung**

**Wir, Makita Corporation als verantwortlicher Hersteller, erklären, dass die folgenden Geräte der Marke Makita:**

Bezeichnung des Geräts:  
Akku-Rasentrimmer  
Nummer / Typ des Modells: BBC300L, BC300LD  
Technische Daten: siehe Tabelle „TECHNISCHE DATEN“.

in Serienfertigung hergestellt werden und **den folgenden Richtlinien der Europäischen Union genügen:**

2000/14/EG, 2006/42/EG

Außerdem werden die Geräte gemäß den folgenden Standards oder Normen gefertigt:

EN709, EN/ISO10517, EN/ISO11680, EN/ISO11806, EN60745

Die technische Dokumentation erfolgt durch:

Makita International Europe Ltd.  
Technical Department,  
Michigan Drive, Tongwell,  
Milton Keynes, Bucks MK15 8JD, England

Das Verfahren der Konformitätsbewertung, das in der Richtlinie 2000/14/EG verlangt wird, wurde in Übereinstimmung mit Anhang VIII durchgeführt.

Benannte Stelle:

TÜV Rheinland LGA Products GmbH  
Tillystraße 2  
90431 Nürnberg, Deutschland  
Kennnummer der benannten Stelle: 0197  
Gemessener Schallleistungspegel: 91,3 dB (A)  
Garantierter Schallleistungspegel: 93 dB (A)

Die Nummer der EG-Baumusterprüfbescheinigung als Hochtaster mit Hochtaster-Aufsatz lautet:  
4811008.12016

## WICHTIGE SICHERHEITSREGELN

GEB068-3

**⚠️ WARNUNG! Lesen Sie alle Sicherheitswarnungen und -anweisungen aufmerksam durch.** Bei Nichtbeachten dieser Warnungen und Anweisungen kann es zu einem Stromschlag, einem Brand und/oder schweren Verletzungen kommen.

**Bewahren Sie alle Warnhinweise und Anweisungen zum späteren Nachschlagen gut auf.**

### Verwendungszweck

1. Der Akku-Freischneider bzw. -Rasentrimmer sind ausschließlich zum Schneiden von Gras, Unkraut, Büschen und Gestrüpp bestimmt. Das Werkzeug darf nicht für andere Zwecke verwendet werden, beispielsweise zum Beschneiden von Einfassungen oder Hecken, da dies zu Verletzungen führen kann.

### Allgemeine Sicherheitshinweise

1. Gestatten Sie niemals Personen, die nicht mit diesen Anleitungen vertraut sind sowie Personen (einschließlich Kindern) mit verminderten physischen, sensorischen oder mentalen Fähigkeiten oder fehlender Erfahrung und mangelndem Wissen die Verwendung dieses Werkzeugs. Kleinkinder sind zu beaufsichtigen, um sicherzustellen, dass sie nicht mit diesem Werkzeug spielen.
2. Lesen Sie vor Beginn der Arbeiten diese Bedienungsanleitung durch und machen Sie sich mit dem Umgang mit diesem Werkzeug vertraut.
3. Überlassen Sie dieses Werkzeug nur solchen Personen, die über ausreichende Kenntnisse und Erfahrungen im Umgang mit Freischneidern und Rasentrimmern verfügen.
4. Übergeben Sie immer auch diese Betriebsanleitung, wenn Sie dieses Werkzeug anderen Personen überlassen.
5. Lassen Sie beim Umgang mit dem Werkzeug äußerste Aufmerksamkeit und Achtung walten.
6. Betreiben Sie das Werkzeug niemals, wenn Sie unter dem Einfluss von Alkohol und/oder Medikamenten stehen, oder wenn Sie ermüdet oder krank sind.
7. Versuchen Sie niemals, technische Änderungen am Werkzeug vorzunehmen.

- Halten Sie die in Ihrem Land geltenden Gesetze und Bestimmungen bezüglich des Umgangs mit Freischneidern und Rasentrimmern ein.

### **Persönliche Schutzausrüstung (Abb. 1)**

- Tragen Sie einen Schutzhelm, eine Schutzbrille und Schutzhandschuhe, um sich vor herumfliegenden Fremdkörpern und herunterfallenden Objekten zu schützen.
- Tragen Sie Gehörschutz, z. B. Gehörschutzkapseln, um Hörschäden zu vermeiden.
- Tragen Sie geeignete Kleidung und geeignetes Schuhwerk, z. B. einen Arbeitsoverall und feste Schuhe mit rutschfester Sohle. Tragen Sie keine weite Kleidung und keinen Schmuck. Weite Kleidung, Schmuck und langes Haar können sich in sich bewegenden Teilen verfangen.
- Tragen Sie beim Umgang mit dem Schneidblatt Schutzhandschuhe. Schneidblätter können an ungeschützten Händen schwere Schnittwunden verursachen.

### **Sicherheit am Arbeitsplatz**

- Bereiten Sie das Werkzeug nur bei guten Sichtverhältnissen und unter Tageslicht. Betreiben Sie das Werkzeug nicht in der Dunkelheit oder bei Nebel.
- Betreiben Sie das Werkzeug niemals in explosionsgefährdeten Umgebungen, wie etwa in der Nähe von brennbaren Flüssigkeiten, Gasen oder Staub. Bei dem Werkzeug treten Funken aus, die Staub und Dämpfe entzünden können.
- Führen Sie die Arbeiten niemals auf einer instabilen oder rutschigen Fläche oder an einem Steilhang stehend aus. Achten Sie in der kalten Jahreszeit auf Schnee und Eis, und sorgen Sie immer für einen sicheren Stand.
- Achten Sie darauf, dass umstehende Personen und Tiere einen Abstand von mindestens 15 m zum Werkzeug einhalten. Stoppen Sie das Werkzeug sofort, wenn sich Personen nähern.
- Kontrollieren Sie vor Beginn der Arbeiten den Arbeitsbereich auf das Vorhandensein von Steinen und sonstigen massiven Objekten. Diese können umherfliegen oder gefährliche Rückschläge verursachen und zu Verletzungen und/oder Sachschäden führen.
- ⚠️ WARNUNG:** Bei Gebrauch dieses Produkts kann Staub entstehen, der Chemikalien enthält, die Erkrankungen der Atemwege und andere Erkrankungen verursachen können. Beispiele solcher Chemikalien sind Bestandteile in Pestiziden, Insektiziden, Düngemitteln und Herbiziden. Ihr Risiko hängt davon ab, wie oft Sie sich diesen Arbeiten aussetzen. Halten Sie die Menge an diesen Chemikalien, der Sie sich aussetzen, möglichst gering: Sorgen Sie für eine gute Belüftung des Arbeitsbereichs und verwenden Sie zugelassene Schutzausrüstungen, beispielsweise solche Staubmasken, die speziell für das Filtern mikroskopischer Partikel vorgesehen sind.

### **Sicherheit bezüglich Elektrizität und Akkus**

- Das Werkzeug darf weder Regen noch Feuchtigkeit ausgesetzt werden. Wenn Wasser in das Werkzeug eindringt, erhöht dies die Gefahr eines elektrischen Schlags.

- Verwenden Sie das Werkzeug nicht, wenn es sich nicht mit dem Schalter ein- und ausschalten lässt. Jedes Werkzeug mit defektem Schalter stellt eine Gefahr dar und muss repariert werden.
- Vermeiden Sie ein versehentliches Einschalten des Werkzeugs. Vergewissern Sie sich, dass das Werkzeug ausgeschaltet ist, bevor Sie den Akku anschließen, es hochheben oder transportieren. Der Transport des Werkzeugs mit dem Finger auf dem Schalter und das Anschließen eingeschalteter Werkzeuge an die Stromversorgung können zu Unfällen führen.
- Der Akku darf nur mit dem vom Hersteller vorgegebenen Ladegerät aufgeladen werden. Ein Ladegerät, das sich für den einen Akkutyp eignet, kann bei der Verwendung mit einem anderen Akku eine Brandgefahr darstellen.
- Das Werkzeug darf nur mit den speziell für das Werkzeug vorgesehenen Akkus verwendet werden. Bei Verwendung anderer Akkus besteht Verletzungs- und Brandgefahr.
- Nicht verwendete Akkublöcke dürfen nicht in der Nähe von anderen metallischen Gegenständen wie Büroklammern, Münzen, Schlüssel, Nägeln, Schrauben oder sonstigen metallischen Kleingegenständen aufbewahrt werden, da durch derartige Gegenstände die Gefahr besteht, dass eine leitende Verbindung zwischen den Kontakten hergestellt wird. Ein Kurzschluss der Akkukontakte kann Verbrennungen verursachen oder eine Brandgefahr darstellen.
- Bei unsachgemäßem Gebrauch kann Flüssigkeit aus dem Akku austreten; vermeiden Sie in diesem Fall jeglichen Kontakt mit der Flüssigkeit. Wenn Sie versehentlich mit Flüssigkeit aus dem Akku in Berührung geraten, waschen Sie die betroffene Stelle gründlich mit Wasser ab. Suchen Sie einen Arzt auf, wenn die Flüssigkeit in die Augen gerät. Die aus dem Akku austretende Flüssigkeit kann Hautreizungen und Verbrennungen verursachen.

### **Inbetriebnahme**

- Entnehmen Sie den Akkublock, bevor Sie das Werkzeug zusammenbauen oder einstellen.
- Tragen Sie beim Umgang mit dem Schneidblatt Schutzhandschuhe.
- Überprüfen Sie das Werkzeug auf Beschädigungen, gelockerte Schrauben/Muttern oder unsachgemäßen Zusammenbau, bevor Sie den Akkublock einsetzen. Schärfen Sie ein abgenutztes Schneidblatt. Tauschen Sie ein verbogenes oder beschädigtes Schneidblatt aus. Überprüfen Sie, ob alle Bedienelemente und Schalter ordnungsgemäß funktionieren. Halten Sie die Griffe sauber und trocken.
- Schalten Sie das Werkzeug niemals ein, wenn es beschädigt oder nicht vollständig zusammengebaut ist. Anderenfalls kann es zu schweren Verletzungen kommen.
- Entfernen Sie alle Einstell- und sonstigen Schlüssel, bevor Sie das Werkzeug einschalten. Auf den rotierenden Teilen eines Werkzeugs belassene Schlüssel können zu Verletzungen führen.
- Passen Sie Schultergurt und Handgriff auf die Körpergröße des Bedieners an.

- Halten Sie den Schneidaufsatz von Ihrem Körper und anderen Objekten, einschließlich Boden, fern, wenn Sie einen Akkublock einsetzen. Beim Starten kann dies anfangen zu rotieren, wodurch es zu schweren Verletzungen und/oder Schäden an dem Werkzeug und/oder anderen Sachschäden kommen kann.

## Bedienung

- Schalten Sie bei einem Notfall das Werkzeug sofort aus.
- Schalten Sie das Werkzeug aus, wenn Sie während des Betriebs etwas Ungewöhnliches (z. B. ungewöhnliche Geräusche, Vibrationen) bemerken. Verwenden Sie das Werkzeug erst dann wieder, nachdem die Ursache gefunden und behoben wurde.
- Der Schneidaufsatz dreht sich für eine kurze Zeit nach den Ausschalten des Werkzeugs weiter. Berühren Sie den Schneidaufsatz erst nach vollständigem Stillstand.
- Tragen Sie das Werkzeug während der Arbeiten mit Hilfe des Schultergurts. Halten Sie das Werkzeug fest an Ihrer rechten Seite.
- Beugen Sie sich nicht zu weit vor. Achten Sie jederzeit auf sicheren Stand und sicheres Gleichgewicht. Achten Sie auf verborgene Hindernisse wie Baumstümpfe, Wurzeln und Kanäle, damit Sie nicht stolpern oder gar stürzen.
- Arbeiten Sie niemals auf einer Leiter oder auf einem Ast stehend oder sitzend, damit es nicht zu einem Verlust der Kontrolle kommen kann.
- Wenn das Werkzeug einem starken Stoß ausgesetzt wurde oder heruntergefallen ist, überprüfen Sie den Zustand des Werkzeugs, bevor Sie die Arbeiten fortsetzen. Prüfen Sie die Regelungen und Sicherheitseinrichtungen auf Fehlfunktion. Wenn Sie einen Schaden bemerken oder sich nicht sicher sind, wenden Sie sich zur Inspektion und Reparatur an unser autorisiertes Servicecenter.
- Berühren Sie das Getriebegehäuse nicht. Bei Betrieb erhitzt sich das Getriebegehäuse.
- Legen Sie regelmäßig Pausen ein, damit es nicht zu einem Kontrollverlust aufgrund von Ermüdungserscheinungen kommt. Wir empfehlen, jede Stunde eine Pause von 10 bis 20 Minuten einzulegen.
- Entfernen Sie immer den Akkublock, wenn Sie das Werkzeug, auch nur kurzzeitig, unbeaufsichtigt lassen. Wenn ein unbeaufsichtigtes Werkzeug mit eingesetztem Akkublock von einer unbefugten Person ergriffen wird, kann es zu schweren Unfällen kommen.
- Falls sich Gras oder Äste zwischen dem Schneidaufsatz und dem Schutz verfangen, schalten Sie das Werkzeug stets vor dem Reinigen aus und entfernen Sie den Akkublock. Andernfalls kann sich der Schneidaufsatz unbeabsichtigt drehen und schwere Verletzungen verursachen.
- Falls der Schneidaufsatz auf Steine oder andere harte Gegenstände trifft, schalten Sie das Werkzeug sofort aus. Entnehmen Sie den Akkublock und überprüfen Sie den Schneidaufsatz.
- Prüfen Sie den Schneidaufsatz während des Betriebs häufig auf Risse oder Schäden. Entfernen Sie vor dem Überprüfen den Akkublock und warten Sie, bis der Schneidaufsatz vollständig stoppt. Ersetzen Sie

- einen beschädigten Schneidaufsatz sofort, auch wenn er nur oberflächliche Risse aufweist.
- Schneiden Sie niemals über Hüfthöhe.
- Warten Sie vor Beginn des Schneidens, dass der Schneidaufsatz nach dem Einschalten des Werkzeugs seine konstante Drehzahl erreicht hat.
- Schwingen Sie das Werkzeug bei Verwendung von Metallblättern im Halbkreis von rechts nach links, wie eine Sense.

## Schneidaufsätze

- Verwenden Sie einen für die anstehenden Arbeiten geeigneten Schneidaufsatz.
  - Für das Schneiden von Rasengras sind Nylon-Schneidköpfe (Faden-Trimmerkopf) geeignet.
  - Metallblätter sind für das Schneiden von Unkraut, hohem Gras, Büschen, Gestrüpp, Unterholz, Dickicht und ähnlichem geeignet.
  - Verwenden Sie niemals andere Blätter, auch keine metallischen, mehrteiligen Pivotketten und Schlegelmesser. Dies kann zu schweren Verletzungen führen.
- Verwenden Sie stets den für den verwendeten Schneidaufsatz geeigneten Schutz.
- Vermeiden Sie bei Verwendung von Metallblättern ein Rückschlagen, sogenanntes „Kickback“, und seien Sie auf ein plötzliches Rückschlagen gefasst. Weitere Informationen finden Sie unter „Rückschlag“.

## Rückschlag (Kickback)

- Ein Rückschlag (Kickback) ist eine plötzliche Reaktion bei einem Verfangen oder Festsitzen des Schneidblatts. Tritt ein Rückschlag auf, wird das Werkzeug mit großer Kraft seitwärts oder in Richtung des Bedieners geschleudert und kann schwere Verletzungen verursachen.
- Ein Rückschlag tritt vor allem auf, wenn feste Gegenstände, Büsche und Bäume mit einem Durchmesser von mehr als 3 cm im Schneidblattbereich zwischen 12 und 2 Uhr geschnitten werden. (**Abb. 2**)
- So vermeiden Sie ein Rückschlagen:
  - Schneiden Sie im Bereich zwischen 8 und 11 Uhr.
  - Schneiden Sie niemals im Bereich zwischen 12 und 2 Uhr.
  - Schneiden Sie niemals im Bereich zwischen 11 und 12 Uhr sowie zwischen 2 und 5 Uhr, es sei denn, der Bediener ist geschult und erfahren und führt die Arbeiten auf eigene Gefahr aus.
  - Berühren Sie mit den Schneidblättern niemals feste Gegenstände, wie Zäune, Wände, Baumstümpfe und Steine.
  - Verwenden Sie die Schneidblätter niemals senkrecht, beispielsweise zum Abkanten oder Heckenschneiden. (**Abb. 3**)

## Schwingung

- Wenn sich Personen mit Durchblutungsstörungen zu starken mechanischen Schwingungen aussetzen, kann es zu Schädigungen von Blutgefäßen und/oder Nervensystem kommen. Folgende Symptome können durch Vibrationen an Fingern, Händen oder Handgelenken auftreten: „Einschlafen“ von Körperteilen (Taubheit), Kribbeln, Schmerz, Stechen, Veränderung von Hautfarbe oder Haut. Falls eines dieser Symptome auftritt, suchen Sie einen Arzt auf!

- Um das Risiko der „Weißfingerkrankheit“ zu verringern, halten Sie Ihre Hände während des Arbeitens warm und warten und pflegen Sie das Werkzeug und Zubehörteile gut.

### Transport

- Schalten Sie das Werkzeug vor einem Transport aus und entfernen Sie den Akkublock. Bringen Sie die Abdeckung am Schneidblatt an.
- Fassen Sie das Werkzeug zum Transportieren an der Welle, und tragen Sie das Werkzeug waagrecht.
- Sichern Sie das Werkzeug bei Transport in einem Fahrzeug ordnungsgemäß, damit es nicht umkippen kann. Anderenfalls kann es zu Beschädigungen am Werkzeug und an anderen Gepäckstücken kommen.

### Wartung

- Lassen Sie Ihr Werkzeug durch unser autorisiertes Servicecenter warten, verwenden Sie stets nur Originalersatzteile. Unsachgemäße Reparatur- und Wartungsarbeiten können die Lebenszeit des Werkzeugs verkürzen und das Unfallrisiko erhöhen.
- Schalten Sie stets den Motor aus und entfernen Sie den Akkublock, bevor Sie Wartungs-, Reparatur- oder Reinigungsarbeiten am Werkzeug vornehmen.
- Tragen Sie beim Umgang mit dem Schneidblatt immer Schutzhandschuhe.
- Halten Sie das Werkzeug stets frei von Staub und Schmutz. Verwenden Sie zum Reinigen niemals Kraftstoffe, Benzin, Verdünnern, Alkohol oder ähnliches. Dies kann zu Verfärbungen, Verformungen oder Rissen führen.
- Ziehen Sie nach jeder Verwenden alle Schrauben und Muttern fest.
- Nehmen Sie keine Wartungs- und Reparaturarbeiten vor, die nicht in der Bedienungsanleitung erläutert sind. Wenden Sie sich zum Ausführen derartiger Arbeiten an unser autorisiertes Servicecenter.
- Verwenden Sie ausschließlich unsere Originalersatzteile und unser Originalzubehör. Bei Verwenden von Teilen und Zubehör anderer Hersteller kann es zu schweren Verletzungen, Beschädigungen des Werkzeugs und/oder Sachschäden kommen.
- Wenden Sie sich an unser autorisiertes Servicecenter, um eine regelmäßige Inspektion und Wartung des Werkzeugs vornehmen zu lassen.

### Aufbewahrung

- Nehmen Sie eine gründliche Reinigung und Wartung des Werkzeugs vor, bevor Sie das Werkzeug einlagern. Nehmen Sie den Akkublock ab. Bringen Sie die Abdeckung am Schneidblatt an.
- Lagern Sie das Werkzeug an einem Ort, der hoch genug oder verschließbar ist, damit Kinder nicht an das Werkzeug gelangen können.
- Lehnen Sie das Werkzeug niemals gegen etwas, beispielsweise gegen eine Wand. Anderenfalls könnte das Werkzeug plötzlich umfallen und Verletzungen verursachen.

### Erste Hilfe

- Halten Sie immer einen vorschriftsmäßigen Erste-Hilfe-Kasten zur Hand. Füllen Sie sämtliche aus dem

Erste-Hilfe-Kasten entnommenen Materialien unverzüglich auf.

- Machen Sie bei einem Notruf folgende Angaben:
  - Ort des Unfalls
  - Was ist passiert
  - Anzahl der verletzten Personen
  - Art der Verletzungen
  - Ihr Name

## BEWAHREN SIE DIESE ANLEITUNG SORGFÄLTIG AUF.

### ⚠ WARNUNG:

Lassen Sie sich **NIE** durch Bequemlichkeit oder (aus fortwährendem Gebrauch gewonnener) Vertrautheit mit dem Werkzeug dazu verleiten, die Sicherheitsregeln für das Werkzeug zu missachten. Bei **MISSBRÄUCLICHER** Verwendung des Werkzeugs oder Missachtung der in diesem Handbuch enthaltenen Sicherheitshinweise kann es zu schweren Verletzungen kommen.

## WICHTIGE SICHERHEITSGESETZE

ENC007-7

## FÜR AKKUBLOCK

- Lesen Sie vor der Verwendung des Akkublocks alle Anweisungen und Sicherheitshinweise für das Akkuladegerät (1), den Akku (2) und das Produkt (3), für das der Akku verwendet wird, sorgfältig durch.
- Der Akkublock darf nicht zerlegt werden.
- Falls die Betriebsdauer erheblich kürzer wird, beenden Sie den Betrieb umgehend. Andernfalls besteht die Gefahr einer Überhitzung sowie das Risiko möglicher Verbrennungen und sogar einer Explosion.
- Wenn Elektrolyt in Ihre Augen gerät, waschen Sie diese mit klarem Wasser aus und suchen Sie sofort einen Arzt auf. Andernfalls können Sie Ihre Sehfähigkeit verlieren.
- Vermeiden Sie einen Kurzschluss des Akkublocks:
  - Die Kontakte dürfen nicht mit leitendem Material in Berührung kommen.
  - Der Akkublock darf nicht in einem Behälter aufbewahrt werden, in dem sich andere metallische Gegenstände wie beispielsweise Nägel, Münzen usw. befinden.
  - Der Akkublock darf weder Feuchtigkeit noch Regen ausgesetzt werden.

Ein Kurzschluss des Akkus kann zu hohem Kriechstrom, Überhitzung, möglichen Verbrennungen und sogar zu einer Zerstörung des Werkzeugs führen.

- Werkzeug und Akkublock dürfen nicht an Orten aufbewahrt werden, an denen Temperaturen von 50°C oder darüber erreicht werden können.
- Beschädigte oder verbrauchte Akkus dürfen nicht verbrannt werden. Der Akkublock kann in den Flammen explodieren.
- Lassen Sie den Akku nicht fallen und vermeiden Sie Schläge gegen den Akku.



9. Verwenden Sie niemals einen beschädigten Akku.

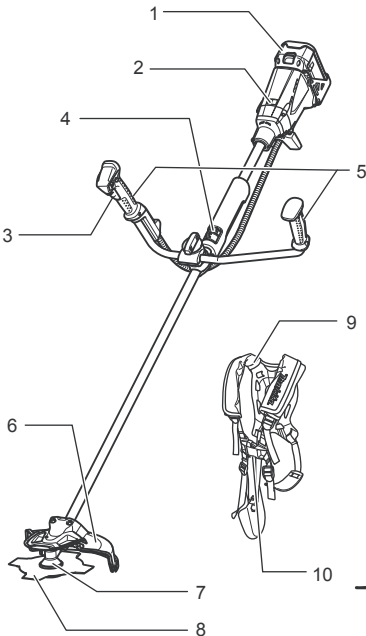
## BEWAHREN SIE DIESE ANLEITUNG SORGFÄLTIG AUF.

### Tipps für eine maximale Nutzungsdauer von Akkus

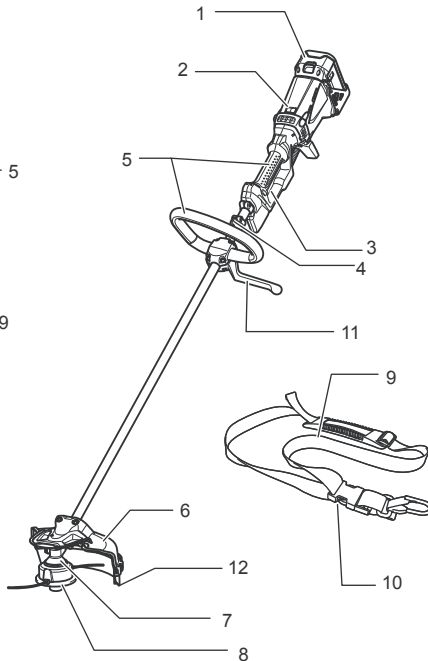
1. Laden Sie den Akkublock auf, bevor der Akku vollständig entladen ist.  
Sobald Sie eine verringerte Leistung des Werkzeugs bemerken, beenden Sie stets den

## BESCHREIBUNG DER TEILE

BBC231U / BC231UD



BBC300L / BC300LD



1	Akkublock	7	Getriebegehäuse
2	Anzeige	8	Schneidwerkzeug
3	Ein/Aus-Schalter	9	Schultergurtzeug
4	Aufhänger (Aufhängungspunkt)	10	Gurtschloss
5	Griff	11	Abstandshalter
6	Schutz (Schutz für Schneidaufsatz)	12	Schutzverlängerung

013124

## FUNKTIONSBESCHREIBUNG

### ⚠️ WARNUNG:

- Schalten Sie das Werkzeug stets aus und entfernen Sie den Akkublock, bevor Sie Einstellungen oder eine Funktionsprüfung des Werkzeugs vornehmen. Wenn Sie das Werkzeug nicht ausschalten und den Akkublock entfernen, kann dies bei einem

Betrieb des Werkzeugs und laden Sie den Akkublock auf.

2. Ein voll aufgeladener Akkublock darf niemals erneut geladen werden. Durch Überladungen wird die Lebensdauer des Akkus verkürzt.
3. Laden Sie den Akkublock bei einer Zimmertemperatur von 10°C bis 40°C auf. Lassen Sie einen heißen Akkublock vor dem Aufladen abkühlen.
4. Laden Sie den Akkublock aller sechs Monate auf, wenn Sie diesen für längere Zeit nicht verwenden.

versehentlichen Starten zu schweren Verletzungen führen.

## Montieren und Demontieren des Akkublocks (Abb. 4)

### ACHTUNG:

- Schalten Sie das Werkzeug stets aus, bevor Sie den Akkublock einsetzen oder abnehmen.
- **Halten Sie das Werkzeug und den Akkublock sicher fest, wenn Sie den Akkublock einsetzen oder herausnehmen.** Andernfalls könnte Ihnen das Werkzeug oder der Akkublock aus den Händen fallen, sodass das Werkzeug oder der Akkublock beschädigt werden oder diese Verletzungen verursachen.

Zum Entfernen des Akkublocks ziehen Sie ihn aus dem Werkzeug, während Sie die Taste auf der Vorderseite des Akkublocks zur Seite schieben.

Um den Akkublock einzusetzen, richten Sie die Zunge des Akkublocks mit der Nut im Gehäuse aus und lassen Sie ihn an seinen Platz gleiten. Setzen Sie ihn ganz ein, bis er mit einem kurzen Klick einrastet. Wenn Sie den roten Bereich auf der Oberseite der Taste sehen können, ist der Akkublock nicht vollständig eingerastet.

### ACHTUNG:

- Setzen Sie den Akkublock unbedingt ganz ein, bis der rote Bereich nicht mehr zu sehen ist. Andernfalls kann der Akkublock versehentlich aus dem Werkzeug fallen und Sie oder umstehende Personen verletzen.
- Wenden Sie beim Einsetzen des Akkublocks keine Gewalt an. Wenn der Akkublock nicht leicht hineingleitet, ist er nicht richtig angesetzt.

## Betätigung des Netzschalters

### WARNUNG:

- **Achten Sie vor dem Einsetzen des Akkublocks in das Werkzeug darauf, dass sich der Ein/Aus-Schalter korrekt bedienen lässt und beim Loslassen in die Position „OFF“ (AUS) zurückkehrt. Drücken Sie niemals mit Gewalt auf den EIN/AUS-Schalter, ohne die Entriegelungstaste zu betätigen. Dies kann zu einer Beschädigung des Schalters führen.** Der Betrieb eines Werkzeugs mit einem nicht ordnungsgemäß auslösenden Schalter kann zum Kontrollverlust und zu schweren Verletzungen führen. (Abb. 5 und 6)

Damit die Auslöseschaltung nicht versehentlich gezogen wird, befindet sich am Werkzeug eine Entriegelungstaste. Zum Start des Werkzeugs müssen die Entriegelungstaste gedrückt und der EIN/AUS-Schalter gezogen werden. Die Drehzahl des Werkzeugs wird durch größeren Druck auf den Ein/Aus-Schalter erhöht. Lassen Sie zum Ausschalten des Werkzeugs den Ein/Aus-Schalter los.

## Umschalter für das Entfernen von Ablagerungen (Abb. 7 und 8)

Dieses Werkzeug verfügt über einen Umschalter, mit dem lediglich die Drehrichtung umgeschaltet werden kann, damit dickere Unkräuter und Ablagerungen, die sich im Werkzeug verfangen haben, entfernt werden. Bei Normalbetrieb des Werkzeugs muss die Seite „A“ des Werkzeugs gedrückt sein.

Um Unkräuter und Ablagerungen zu entfernen, die sich im Rotorkopf des Werkzeugs verfangen haben, kann die Drehrichtung des Werkzeugs durch Drücken der Seite „B“ des Schalters umgekehrt werden. Mit dieser umgekehrten

Drehrichtung läuft das Werkzeug nur für kurze Zeit und schaltet sich anschließend automatisch aus.

### WARNUNG:

- **Stellen Sie immer sicher, dass das Werkzeug ausgeschaltet ist und das der Akkublock abgezogen wurde, bevor Sie im Werkzeug verfangene Unkräuter und Ablagerungen entfernen, die durch Umkehren der Drehrichtung nicht entfernt werden konnten.** Wenn Sie das Werkzeug nicht ausschalten und nicht den Akkublock entfernen, kann dies bei einem versehentlichen Starten zu schweren Verletzungen führen.

### HINWEIS:

- Überprüfen Sie vor jedem Betrieb stets die Drehrichtung.
- Der Umschalter darf nur betätigt werden, wenn das Werkzeug im Stillstand ist. Wenn Sie die Drehrichtung bei noch laufendem Werkzeug umschalten, kann das Werkzeug beschädigt werden.



## Ändern der Drehzahl (Abb. 9 und 10)

Mit dem Schalter zur Änderung der Drehzahl können Sie zwei Drehzahlbereiche auswählen.

Durch Einstellen des Drehzahlschalters auf Position „1“ wird das Werkzeug im niedrigen Drehzahlbereich betrieben, durch Einstellen auf Position „2“ im hohen Drehzahlbereich.

## Akku-/Motor-Schutzsystem

Der Akkublock und das Werkzeug sind mit Schutzeinrichtungen ausgestattet, die automatisch die Stromzufuhr verringern oder unterbrechen, wenn es zu Überlastungssituationen kommt, in denen das Werkzeug beschädigt werden könnte. Bei einer Überlastung des Werkzeugs, die nicht zu einem Blockieren führen, verringert eine Schutzeinrichtung die Drehzahl verringert, um eine Beschädigung des Motors zu verhindern. In einem solchen Fall leuchten oder blinken die zwei in der untenstehenden Tabelle erläuterten Anzeigen nicht. Alle anderen Schutzfunktionen sind an den in der untenstehenden Tabelle erläuterten Anzeigen erkennbar. (Abb. 11)

		Status	Auszuführende Maßnahme
-	Blinkt	Akku nahezu entladen.	Ersetzen Sie den Akku durch einen vollgeladenen Akku.
-	Leuchtet	Akkuschutz schaltet das Werkzeug jetzt aus – Akku nahezu entladen.	Ersetzen Sie den Akku durch einen vollgeladenen Akku.
Blinkt	-	Überlastschutz schaltet das Werkzeug jetzt wegen blockiertem Motor aus.	Lassen Sie den Ein/Aus-Schalter los und beseitigen Sie die Ursache der Motorblockierung bzw. -überlastung. Falls das Schneidwerkzeug durch verfangenes Geäst oder ähnliches blockiert ist, entfernen Sie vor dem Reinigen stets den Akkublock.
Leuchtet	-	Überhitzungsschutz schaltet das Werkzeug jetzt aus - Überhitzung.	Lassen Sie das Werkzeug eine gewisse Zeit abkühlen.
Blinkt	Blinkt	Fehlfunktion in Elektrik oder Elektronik.	Wenden Sie sich zwecks Reparatur an Ihr örtliches, autorisiertes Servicecenter.

010823

## Nylon-Schneidkopf (Sonderzubehör für ein Produkt, das mit einem Schneidblatt geliefert wird)

### HINWEIS:

- Versuchen Sie nicht bei hoher Drehzahl, das Nylonseil durch Aufstoßen des Schneidkopfs weiter herauszuführen. Bei einem weiteren Herausführen des Nylonseils durch Aufstoßen des Schneidkopfs bei hoher Drehzahl kann der Nylon-Schneidkopf beschädigt werden.
- Bei stillstehendem Schneidkopf funktioniert das Herausführen des Nylonseils durch Aufstoßen des Schneidkopfs nicht ordnungsgemäß. **(Abb. 12)**

Der Nylon-Schneidkopf ist ein Trimmerkopf mit zwei Nylonseilen, die durch das Aufstoßen des Schneidkopfs weiter aus dem Schneidkopf heraustreten. Damit die Nylonseile weiter aus dem Kopf heraustreten, muss der Schneidkopf bei niedriger Drehzahl auf den Boden aufgestoßen werden. Beim weiteren Heraustrreten der Nylonseile werden die Nylonseile automatisch von den Abschneidern an der Schutzverlängerung auf die richtige Länge geschnitten.

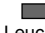




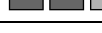

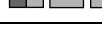

### HINWEIS:

Falls das Nylonseil nicht durch Aufstoßen des Schneidkopfs auf den Boden herausgeführt werden kann, spulen Sie das Nylonseil neu auf oder tauschen Sie es aus (siehe Abschnitt „Wartung“).

## Anzeige für Akkuladestatus (nur bei Modellen mit Akku BL3622A)

Akkublock BL3622A ist mit einer Anzeige für Akkuladestatus ausgestattet. **(Abb. 13)**

Wenn Sie die Taste CHECK (TEST) drücken, wird der Ladezustand des Akkublocks angezeigt. Die Lampen der Anzeige leuchten dann ca. 3 s lang auf.

Anzeigelampen		Verbleibende Akkuladung	
 Leuchtet	 Aus		 Blinkt
E		F	70 % bis 100 %
			45 % bis 70 %
			20% bis 45%
			0% bis 20%
			Laden Sie den Akkublock auf.
			Möglicherweise liegt ein Defekt des Akkublocks vor.

011713

- Wenn nur die unterste Anzeigelampe (bei „E“) oder keine der Anzeigelampen blinkt, ist der Akkublock erschöpft und das Werkzeug funktioniert nicht. In diesem Fall laden Sie den Akkublock auf oder tauschen Sie den entladenen Akkublock gegen einen voll aufgeladenen Akkublock aus.
- Wenn selbst nach einem vollständigen Aufladen des Akkublocks zwei oder mehr Anzeigelampen nicht aufleuchten, ist die Lebensdauer des Akkublocks abgelaufen.
- Wenn die oberen zwei Lampen und die unteren zwei Lampen wechselseitig aufleuchten, liegt möglicherweise ein Defekt am Akkublock vor. Wenden Sie sich an Ihre autorisierte Servicestelle von Makita.

### HINWEIS:

- Bei oder unmittelbar nach Gebrauch des Werkzeugs wird möglicherweise ein niedrigerer Ladezustand als der tatsächliche Ladezustand angezeigt.
- In Abhängigkeit von den Bedingungen bei Gebrauch und von der Umgebungstemperatur kann der angezeigte Ladezustand geringfügig vom tatsächlichen Ladezustand abweichen.

# MONTAGE

## **WARNUNG:**

- **Schalten Sie das Werkzeug stets aus und entfernen Sie den Akkublock, bevor Sie Arbeiten am Werkzeug ausführen.** Wenn Sie das Werkzeug nicht ausschalten und nicht den Akkublock entfernen, kann dies bei einem versehentlichen Starten zu schweren Verletzungen führen.
- **Starten Sie niemals ein noch nicht vollständig zusammengebautes Werkzeug.** Bei Betrieb des Werkzeugs in teilweise zusammengebautem Zustand kann es durch versehentliches Einschalten des Werkzeugs zu schweren Verletzungen kommen.

## Anbauen des Griffs

### Für Modell BBC231U, BC231UD

Setzen Sie den Schaft des Stiels in den Griff gemäß der Abbildung ein. Richten Sie die Schraubenbohrung in dem Griff an der im Stiel aus. Ziehen Sie die Schrauben sicher fest. **(Abb. 14)**

Lösen Sie den Knauf.

Platzieren Sie den Griff zwischen Griffklemme und Griffhalterung.

Richten Sie den Griff in einem Winkel aus, der Ihnen eine komfortable Arbeitsposition ermöglicht und sichern Sie diesen anschließend, indem Sie den Knauf handfest anziehen. **(Abb. 15)**

### Für Modell BBC300L, BC300LD (Abb. 16)

Passen Sie die Sperre und den Griff am Rohr mit vier Schrauben an. Stellen Sie sicher, dass die Baugruppe aus Handgriff/Sperre zwischen das Distanzstück und die Pfeilmarkierung platziert wird.

Positionieren Sie die Sperre an der linken Seite des Werkzeugs. Ziehen Sie anschließend die vier Schrauben fest, sodass sich der Griff bzw. die Sperre nicht auf dem Rohr verschieben oder verdrehen kann.

## **WARNUNG:**

- **Entfernen oder kürzen Sie das Distanzstück nicht.** Das Distanzstück hält einen bestimmten Abstand zwischen beiden Händen. Das Einstellen des Griffs/der Sperre eng am anderen Griff jenseits der Länge des Distanzstücks kann zu Kontrollverlust und schweren Verletzungen führen.

## Montieren des Schutzes (Abb. 17 und 18)

## **WARNUNG:**

- **Verwenden Sie das Werkzeug niemals ohne den ordnungsgemäß montierten Schutz.** Anderenfalls kann es zu schweren Verletzungen kommen.

## **ACHTUNG:**

- **Achten Sie beim Anbringen der Schutzverlängerung darauf, dass Sie nicht mit den scharfen Nylonschnur-Abschneidern an der Schutzverlängerung in Berührung kommen.** Bei Berühren des Abschneiders kann es zu Verletzungen kommen.

Befestigen Sie die Schutzabdeckung auf dem Getriebegehäuse. Drücken Sie die Flügel leicht nach außen und setzen Sie die Schrauben in die Löcher in den Flügeln ein. **(Abb. 19)**

## **HINWEIS:**

- **Biegen Sie die Flügel nicht zu weit nach außen.** Andernfalls können diese brechen.

Befestigen Sie den Schutz an der Klemme, wie in der Abbildung dargestellt. Ziehen Sie die linken und rechten Bolzen gleichmäßig fest. **(Abb. 20)**

Montieren Sie bei Verwendung eines Nylon-Schneidkopfs die Schutzverlängerung. Setzen Sie die Schutzverlängerung auf die Befestigungsschiene an der Unterkante des Schutzes. Schieben Sie die Verlängerung soweit auf den Schutz, bis die Verlängerung in der ordnungsgemäßen Position einrastet. Die Schutzverlängerung ist so gestaltet, dass sie sich nur in einer Richtung am Schutz befestigen lässt. **(Abb. 21)**

## **HINWEIS:**

- Entfernen Sie bei der erstmaligen Verwendung das am Abschneider für den Nylonfaden anhaftende Band. **(Abb. 22)**

Um die Schutzverlängerung abzunehmen, stecken Sie einen flachen Schraubendreher in die schmale Aussparung an der Haltenoppe. Um die Schutzverlängerung zu lösen, drücken Sie die Haltenoppe nach unten und schieben Sie die Schutzverlängerung an der Unterkante in die in der Abbildung vorgegebene Richtung. Wenn sich die Schutzverlängerung schieben lässt, ist sie aus der Arretierung gelöst und kann vollständig vom Schutz geschoben werden.

## Montieren des Schneidblattes

## **WARNUNG:**

- **Der Außendurchmesser des Schneidblattes muss 230 mm betragen.** Verwenden Sie niemals ein Blatt mit einem Außendurchmesser von mehr als 230 mm.

## **ACHTUNG:**

- Das Schneidblatt muss gut glänzen und darf keine Risse oder Brüche aufweisen. Polieren oder ersetzen Sie die Schneidblatt aller drei Betriebsstunden.
- Tragen Sie beim Umgang mit dem Schneidblatt immer Schutzhandschuhe.
- Befestigen Sie stets die Blattabdeckung, wenn das Werkzeug nicht verwendet oder bevor es transportiert wird.
- Die Mutter zum Festziehen des Schneidblattes (mit Federscheibe) ist ein Verschleißteil. Wenn Sie Verschleiß oder Deformation an der Federscheibe feststellen, ersetzen Sie die Mutter. Wenden Sie sich für die Bestellung dieser an Ihr örtliches, autorisiertes Servicecenter.

## **HINWEIS:**

- Vergewissern Sie sich, dass Sie ein originales Makita-Schneidblatt verwenden.
- Drehen Sie das Werkzeug um, damit Sie das Schneidblatt leicht austauschen können. **(Abb. 23)**
- Setzen Sie zur Demontage des Schneidblattes einen Inbusschlüssel in das Loch an der Schutzabdeckung und am Getriebegehäuse ein. Drehen Sie die Aufnahmescheibe, bis der Inbusschlüssel greift. Lösen Sie die Sechskantmutter (Linksgewinde) mit dem Steckschlüssel und entfernen Sie Mutter, Kappe, Klemmscheibe und Inbusschlüssel. **(Abb. 24)**

Montieren Sie das Schneidblatt auf dem Schaft, sodass die Führung der Aufnahmescheibe in das Spindeloch im Schneidblatt passt. Bauen Sie Klemmscheibe und Kappe wieder ein. Sichern Sie das Schneidblatt mit der Sechskantmutter mit einem Anzugsmoment von 13 bis 23 Nm, während Sie die Aufnahmescheibe mit einem Inbusschlüssel halten. **(Abb. 25)**  
Vergewissern Sie sich, dass sich das Blatt gegen den Uhrzeigersinn dreht.

## Anbringen des Nylon-Schneidkopfs

### ⚠️ ACHTUNG:

- **Verwenden Sie den Nylon-Schneidkopf nur dann, wenn Schutz und Schutzverlängerung ordnungsgemäß montiert sind.** Anderenfalls kann es zu schweren Verletzungen kommen.

### HINWEIS:

- Vergewissern Sie sich, dass Sie einen originalen Nylon-Schneidkopf von Makita verwenden.
- Drehen Sie das Werkzeug um, damit Sie den Nylon-Schneidkopf leicht austauschen können. **(Abb. 26)**  
Stecken Sie den Inbusschlüssel durch die Öffnung in der Schutzabdeckung und drehen Sie die Aufnahmescheibe, bis diese mit dem Inbusschlüssel einrastet. Montieren Sie den Nylon-Schneidkopf direkt auf der Gewindespindel und ziehen Sie diesen durch Drehen entgegen dem Uhrzeigersinn fest. Entfernen Sie den Inbusschlüssel. Um den Nylon-Schneidkopf abzubauen, halten Sie die Aufnahmescheibe mit einem Inbusschlüssel fest und drehen Sie den Nylon-Schneidkopf im Uhrzeigersinn.

### ⚠️ ACHTUNG:

- **Wenn der Nylon-Schneidkopf während der Arbeit versehentlich auf einen Stein oder einen harten Gegenstand trifft, sollten Sie den Trimmer ausschalten und auf mögliche Beschädigungen untersuchen. Ein beschädigter Nylon-Schneidkopf muss unverzüglich ausgetauscht werden.** Beim Arbeiten mit einem beschädigten Nylon-Schneidkopf kann es zu schweren Verletzungen kommen.

## BETRIEB

### Korrekte Handhabung des Werkzeugs (BBC231U, BC231UD)

#### Korrekte Körperhaltung

### ⚠️ WARNUNG:

- **Positionieren Sie das Werkzeug stets an Ihrer rechten Seite, sodass sich der Schaft des linken Griffs stets vor Ihrem Körper befindet.** Bei korrekter Position des Werkzeugs kann es mit maximaler Sicherheit geführt werden, wodurch die Gefahr von schweren Verletzungen durch Rückschlagen minimiert wird.

Passen Sie das Schultergurtzeug wie in der Abbildung dargestellt an und hängen Sie das Werkzeug sicher an Ihrer rechten Seite ein, sodass sich der Schaft des linken Griffs stets vor Ihnen befindet. **(Abb. 27)**

### Anbringen des Schultergurtzeugs (Abb. 28)

Tragen Sie das Schultergurtzeug auf Ihrem Rücken und schließen Sie das Gurtschloss bis zum Klicken. Vergewissern Sie sich, dass sich das Schloss nicht öffnet,

wenn Sie daran ziehen. Hängen Sie das Werkzeug wie in der Abbildung dargestellt ein.

### Lösen (Abb. 29)

Das Gurtschloss verfügt über einen Schnelllösemechanismus, der auf einfache Weise durch Zusammendrücken der Seiten des Schlosses ausgelöst wird.

### ⚠️ WARNUNG:

- **Gehen Sie äußerst vorsichtig vor, damit Sie jederzeit die Kontrolle über das Werkzeug behalten. Lassen Sie nicht zu, dass das Werkzeug in Ihre Richtung oder in Richtung anderer Personen in Ihrer Nähe abprallt.** Anderenfalls kann es zu schweren Verletzungen kommen.

### Anpassung der Aufhängerposition und des Schultergurts

Beim Ersetzen eines Zubehörs durch ein anderes kann sich die Gewichtsbalance des Werkzeugs ändern. Passen Sie in diesem Fall die Aufhängerposition und die Länge des Schultergurts wie folgt an.

Zum Ändern der Aufhängerposition lösen Sie die Befestigungsschraube mit dem mitgelieferten Schraubenschlüssel und verschieben Sie die Aufhängung und Polsterung. Die Polsterung kann leicht durch Drehen verschoben werden.

Passen Sie die der Aufhängerposition und die Länge des Schultergurts wie folgt an:

- die Aufhängerpositionen 750 mm oder mehr über dem Boden,
- die Schneidwerkzeugpositionen 100 mm bis 300 mm über dem Boden und
- der ungeschützte Teil des Schneidwerkzeugs horizontal 750 mm oder mehr von der Aufhängung entfernt. **(Abb. 30)**

Ziehen Sie nach dem Anpassen der Aufhängerposition die Schraube mit dem Schraubenschlüssel sicher fest.

### Korrekte Handhabung des Werkzeugs (BBC300L, BC300LD)

#### Korrekte Körperhaltung

### ⚠️ WARNUNG:

- **Positionieren Sie das Werkzeug stets an Ihrer rechten Seite, sodass sich der Abstandshalter stets vor Ihrem Körper befindet.** Bei korrekter Position des Werkzeugs kann es mit maximaler Sicherheit geführt werden, wodurch die Gefahr von schweren Verletzungen durch Rückschlagen minimiert wird.

Legen Sie das Schultergurtzeug wie in der Abbildung dargestellt über Ihre linke Schulter. Stecken Sie dazu den Kopf und den rechten Arm durch den Schultergurt. Halten Sie das Werkzeug stets an Ihrer rechten Seite und achten Sie darauf, dass sich der Abstandshalter stets vor Ihrem Körper befindet. **(Abb. 31)**

### Anbringen des Schultergurtzeugs (Abb. 32)

Nach dem Anlegen des Schultergurtzeugs kann es durch Einrasten der Gurtschlosssteile an der Werkzeughalterung und am Gurtzeug am Werkzeug befestigt werden. Stellen Sie sicher, dass das Gurtschloss ordnungsgemäß einrastet und sicher verriegelt.

## Lösen (Abb. 33)

Das Gurtschloss verfügt über einen Schnelllösemechanismus, der auf einfache Weise durch Zusammendrücken der Seiten des Schlosses ausgelöst wird.

### **WARNING:**

- **Gehen Sie äußerst vorsichtig vor, damit Sie jederzeit die Kontrolle über das Werkzeug behalten. Lassen Sie nicht zu, dass das Werkzeug in Ihre Richtung oder in Richtung anderer Personen in Ihrer Nähe abprallt.** Bei Verlust der Kontrolle über das Werkzeug kann es zu schweren Verletzungen des Bedieners oder umstehender Personen kommen.

## **Anpassung der Aufhängerposition und des Schultergurts**

Beim Ersetzen eines Zubehörs durch ein anderes kann sich die Gewichtsbalance des Werkzeugs ändern. Passen Sie in diesem Fall die Aufhängerposition und die Länge des Schultergurts wie folgt an.

Zum Ändern der Aufhängerposition lösen Sie die Befestigungsschraube mit dem mitgelieferten Schraubenschlüssel und verschieben Sie die Aufhängung.

Passen Sie die der Aufhängerposition und die Länge des Schultergurts wie folgt an:

- die Aufhängerpositionen 750 mm oder mehr über dem Boden,
- die Schneidwerkzeugpositionen bis zu 300 mm über dem Boden und
- der ungeschützte Teil des Schneidwerkzeugs horizontal 750 mm oder mehr von der Aufhängung entfernt. **(Abb. 34)**

Ziehen Sie nach dem Anpassen der Aufhängerposition die Schraube mit dem Schraubenschlüssel sicher fest.

## **WARTUNG**

### **WARNING:**

- **Schalten Sie das Werkzeug stets aus und ziehen Sie den Akkublock ab, bevor Sie Inspektionen oder Wartungsarbeiten am Werkzeug vornehmen.** Wenn Sie das Werkzeug nicht ausschalten und nicht den Akkublock entfernen, kann dies bei einem versehentlichen Starten zu schweren Verletzungen führen.

### **HINWEIS:**

- Verwenden Sie zum Reinigen niemals Kraftstoffe, Benzin, Verdünner, Alkohol oder ähnliches. Dies kann zu Verfärbungen, Verformungen oder Rissen führen.

## **Auftragen von Schmiere auf das Getriebegehäuse (Abb. 35)**

Tragen Sie aller 30 Betriebsstunden Schmiere (Shell Alvania 2 oder eine äquivalente) durch das Schmierloch auf das Getriebegehäuse auf. (Originale Makita-Schmierfett erhalten Sie bei Ihrem Makita-Händler.)

## **Ersetzen des Nylonseils**

### **WARNING:**

- **Schalten Sie das Werkzeug stets aus und ziehen Sie den Akkublock ab, bevor Sie Inspektionen oder**

**Wartungsarbeiten am Werkzeug vornehmen.** Wenn Sie das Werkzeug nicht ausschalten und nicht den Akkublock entfernen, kann dies bei einem versehentlichen Starten zu schweren Verletzungen führen.

- **Vergewissern Sie sich, dass die Abdeckung des Nylon-Schneidkopfes ordnungsgemäß auf dem Gehäuse gesichert ist (siehe folgende Beschreibung).** Bei unsachgemäß gesicherter Abdeckung kann der Nylon-Schneidkopf auseinanderfliegen und schwere Verletzungen verursachen. **(Abb. 36)**

Drücken Sie die Laschen am Gehäuse und ziehen Sie die Abdeckung nach oben ab. Entfernen Sie die noch vorhandenen Reste des Nylonseils. **(Abb. 37)**

Haken Sie die Mitte des neuen Nylonseils in die Einkerbung in der Mitte der Spule zwischen den 2 Kanälen für das Nylonseil ein. Eine Seite des Seils muss ca. 80 mm länger sein als das andere Ende. Wickeln Sie beide Enden fest und in Richtung Linksdrehung (markiert durch „LH“ auf dem Spulenkopf) um die Spule. **(Abb. 38)**

Wickeln Sie etwa 100 mm des Seils um die Spule und lassen Sie die Enden vorübergehend in der Einkerbung an der Seite der Spule eingehängt. **(Abb. 39)**

Setzen Sie die Spule so in das Gehäuse ein, dass die Kerben und Vorsprünge an der Spule mit denen im Gehäuse übereinstimmen. Die Seite mit den Buchstaben der Spule muss nach oben zeigen, sodass die Buchstaben sichtbar sind. Haken Sie nun die Enden des Seils aus ihrer vorübergehenden Positionen aus, und führen Sie das Seil durch die Seilführungen, sodass die Seile aus dem Gehäuse herausragen. **(Abb. 40)** Richten Sie den Vorsprung an der Unterseite der Abdeckung an den Schlitzen der Seilführungen aus. Drücken Sie dann die Abdeckung fest auf das Gehäuse. Vergewissern Sie sich, dass die Laschen richtig in der Abdeckung sitzen.

Zur Gewährleistung von SICHERHEIT und ZUVERLÄSSIGKEIT des Produkts sollten Reparaturen, Wartungsarbeiten und Einstellungen nur durch von Makita autorisierte Servicecenter durchgeführt und ausschließlich Makita-Ersatzteile verwendet werden.

## **PROBLEMBEHEBUNG**

Prüfen Sie das Werkzeug erst selbst, bevor Sie eine Reparatur anfordern. Falls Sie vor einem Problem stehen, das nicht im Handbuch erläutert ist, bauen Sie das Werkzeug nicht selbst auseinander. Wenden Sie sich an ein von Makita autorisiertes Servicecenter, in denen stets Makita-Ersatzteile verwendet werden.

Fehlfunktion	Ursache	Maßnahme
Motor dreht sich nicht.	Kein Akku eingebaut.	Setzen Sie den Akkublock ein.
	Akkuproblem (unter Spannung)	Laden Sie den Akku wieder auf. Tauschen Sie den Akku aus, falls ein Aufladen nicht effektiv ist.
	Das Antriebssystem arbeitet nicht korrekt.	Wenden Sie sich für eine Reparatur an Ihr örtliches, autorisiertes Servicecenter.
Nach kurzer Zeit stoppt der Motor.	Drehung in umgekehrte Richtung.	Ändern Sie die Drehrichtung mit dem Umkehrschalter.
	Der Ladezustand des Akkus ist zu niedrig.	Laden Sie den Akku wieder auf. Tauschen Sie den Akku aus, falls ein Aufladen nicht effektiv ist.
	Überhitzung.	Schalten Sie das Werkzeug aus und lassen Sie das Werkzeug abkühlen.
Die maximale Drehzahl wird nicht erreicht.	Akku wurde nicht ordnungsgemäß installiert.	Bauen Sie den Akku, wie in diesem Handbuch beschrieben, ein.
	Akkuleistung fällt ab.	Laden Sie den Akku wieder auf. Tauschen Sie den Akku aus, falls ein Aufladen nicht effektiv ist.
	Das Antriebssystem arbeitet nicht korrekt.	Wenden Sie sich für eine Reparatur an Ihr örtliches, autorisiertes Servicecenter.
Schneidklinge dreht sich nicht: stoppen Sie das Werkzeug sofort!	Ein Fremdkörper, zum Beispiel ein Ast, ist zwischen Schutz und Nylon-Schneidkopf bzw. Schneidblatt verklemt.	Entfernen Sie den Fremdkörper.
	Befestigungsmutter des Schneidblatts ist lose.	Ziehen Sie die Mutter, wie in diesem Handbuch beschrieben, fest.
	Das Schneidblatt ist verbogen.	Tauschen Sie das Schneidblatt aus.
	Das Antriebssystem arbeitet nicht korrekt.	Wenden Sie sich für eine Reparatur an Ihr örtliches, autorisiertes Servicecenter.
Abnormale Vibration: stoppen Sie das Werkzeug sofort!	Eines der Nylonseile ist zerrissen, wodurch der Kopf eine Unwucht aufweist.	Stoßen Sie den sich drehenden Nylon-Schneidkopf auf den Boden auf, damit Nylonschnur nachgeführt wird.
	Das Schneidblatt ist verbogen, verschlissen oder gerissen.	Tauschen Sie das Schneidblatt aus.
	Befestigungsmutter des Schneidblatts ist lose.	Ziehen Sie die Mutter, wie in diesem Handbuch beschrieben, fest.
	Schneidblatt ist unzureichend festgezogen.	
	Das Antriebssystem arbeitet nicht korrekt.	Wenden Sie sich für eine Reparatur an Ihr örtliches, autorisiertes Servicecenter.
Schneidwerkzeug und Motor können nicht gestoppt werden: Entnehmen Sie den sofort den Akku!	Fehlfunktion von Elektrik oder Elektronik.	Entnehmen Sie den Akku und wenden Sie sich für eine Reparatur an Ihr örtliches, autorisiertes Servicecenter.

010824

## SONDERZUBEHÖR

### ACHTUNG:

- Für das in diesem Handbuch beschriebene Makita-Gerät werden die folgenden Zubehör- und Zusatzteile empfohlen. Bei Verwendung anderer Zubehör- und Zusatzteile kann es zu Verletzungen kommen. Verwenden Sie Zubehör- und Zusatzteile nur für den vorgesehenen Zweck.

Informationen zu diesem Zubehör erhalten Sie von Ihrem Makita-Servicecenter.

- Schneidblatt
- Nylon-Schneidkopf
- Aufsatz für Schwert-Heckenschere (für Modell BBC300L, BC300LD)
- Aufsatz für Schwertsäge (für Modell BBC300L, BC300LD)
- Kultivatoraufsatz (für Modell BBC300L, BC300LD)
- Originalakku und Ladegerät von Makita

**HINWEIS:**

- Einige der in der Liste aufgeführten Elemente sind dem Werkzeugpaket als Standardzubehör beigelegt. Diese können in den einzelnen Ländern voneinander abweichen.



# POLSKI (Oryginalna instrukcja)

## Objaśnienia do widoku ogólnego

- |   |                             |                            |
|---|-----------------------------|----------------------------|
| 1. Czerwony element                                       | 15. Uchwyt                  | 34. Podkładka dociskowa    |
| 2. Przycisk suwakowy                                      | 16. Śruba                   | 35. Nasadka                |
| 3. Akumulator   | 17. Pokrętko                | 36. Nakrętka sześciokątna  |
| 4. Przycisk blokady                                       | 18. Zacisk uchwytu          | 37. Trzpień gwintowany     |
| 5. Przycisk wyłącznika                                    | 19. Oprawa uchwytu          | 38. Dźwignia               |
| 6. Przełącznik zmiany kierunku obrotów                    | 20. Sprężyna dociskowa      | 39. Klamra                 |
| 7. A przełącznik wciśnięty podczas normalnej eksploatacji | 21. Osłona                  | 40. Zaczep                 |
| 8. B przełącznik wciśnięty do usuwania chwastów i odpadów | 22. Przekładka              | 41. Otwór smarowniczy      |
| 9. Dźwignia przełącznika zmiany prędkości                 | 23. Symbol strzałki         | 42. Skrzynka przekładniowa |
| 10. Kontrolka   | 24. Nóż                     | 43. Pokrywa                |
| 11. Najbardziej efektywny obszar koszenia                 | 25. Osłona                  | 44. Zaczepy                |
| 12. Kontrolki   | 26. Żyłkowa głowica tnąca   | 45. Ścisnąć                |
| 13. Przycisk CHECK  | 27. Przedłużenie osłony     | 46. Szpula                 |
| 14. Pokrętko  | 28. Śruba                   | 47. Obroty w lewą stronę   |
|   | 29. Łopatką                 | 48. Wycięcia               |
|   | 30. Dwa wkręty              | 49. Oczka                  |
|   | 31. Pokrywa ochronna        | 50. Występ (niewidoczny)   |
|   | 32. Klucz imbusowy          | 51. Szczelina oczka        |
|   | 33. Podkładka stabilizująca |                            |

## DANE TECHNICZNE

Model		BBC231U/BC231UD	
Typ uchwytu		Uchwyt rowerowy	
Prędkość bez obciążenia	Wysokie obroty	0 - 7 300 min <sup>-1</sup>	
	Niskie obroty	0 - 5 300 min <sup>-1</sup>	
Długość całkowita		1 880 mm	
Średnica noża		230 mm	
Masa netto		7,1 kg	
Napięcie znamionowe		36 V DC	
Standardowy akumulator i ładowarka ⚠ Zawsze zachować zestaw akumulator/ładowarka zgodnie z danymi podanymi w kolumnach po prawej stronie.		BL3626 DC36RA	BL3622A DC36WA

Model		BBC300L/BC300LD	
Typ uchwytu		Uchwyt pałkowy	
Prędkość bez obciążenia	Wysokie obroty	0 - 6 600 min <sup>-1</sup>	
	Niskie obroty	0 - 4 900 min <sup>-1</sup>	
Długość całkowita		1 850 mm	
Średnica koszenia żyłkową głowicą tnącą		300 mm	
Masa netto		5,9 kg	
Napięcie znamionowe		36 V DC	
Standardowy akumulator i ładowarka ⚠ Zawsze zachować zestaw akumulator/ładowarka zgodnie z danymi podanymi w kolumnach po prawej stronie.		BL3626 DC36RA	BL3622A DC36WA

- Ze względu na stale prowadzone prace badawczo-rozwojowe, podane tu dane techniczne mogą ulec zmianie bez powiadomienia.
- Dane techniczne i akumulator mogą się różnić w poszczególnych krajach.
- Masa narzędzia z akumulatorem obliczona zgodnie z procedurą EPTA 01/2003

Hałas	Średni poziom ciśnienia akustycznego		Obowiązujące normy
	Model	$L_{PA}$ (dB (A))	
BBC231U/BC231UD	79,7	2,5	ISO22868
BBC300L/BC300LD	79,3	2,5	EN786

- Nawet jeśli poziom ciśnienia akustycznego wynosi 80 dB(A) lub mniej, poziom ten podczas pracy może przekroczyć 80 dB(A). Należy nosić środki ochrony słuchu.

Drgania	Lewa ręka		Prawa ręka		Obowiązujące normy
	Model	$a_h$ (m/s <sup>2</sup> )	Niepewność K (m/s <sup>2</sup> )	$a_h$ (m/s <sup>2</sup> )	
BBC231U/BC231UD	$\leq 2,5$	1,5	$\leq 2,5$	1,5	ISO22867, EN786
BBC300L/BC300LD	$\leq 2,5$	1,5	$\leq 2,5$	1,5	EN786

ENG901-1

- Deklarowana wartość wytwarzanych drgań została zmierzona zgodnie z standardową metodą testową i można ją wykorzystać do porównywania narzędzi.
- Deklarowaną wartość wytwarzanych drgań można także wykorzystać we wstępnej ocenie narażenia.











### ⚠ OSTRZEŻENIE:

- Drgania wytwarzane podczas rzeczywistego użytkowania elektronarzędzia mogą się różnić od wartości deklarowanej, w zależności od sposobu jego użytkowania.
- W oparciu o szacowane narażenie w rzeczywistych warunkach użytkowania należy określić środki bezpieczeństwa w celu ochrony operatora (uwzględniając wszystkie elementy cyklu działania, tj. czas, kiedy narzędzie jest wyłączone i kiedy pracuje na biegu jałowym, a także czas, kiedy jest włączone).

### Symbole

END008-4

Poniżej przedstawiono symbole stosowane w przypadku omawianego narzędzia. Przed przystąpieniem do jego eksploatacji należy koniecznie zapoznać się z ich znaczeniem.

-  ..... Zachować szczególną ostrożność.
-  ..... Należy przeczytać instrukcję obsługi.
-  ..... Niebezpieczeństwo - uwaga na wyrzucane przedmioty.
-  ..... Minimalna odległość między narzędziem i osobami postronnymi powinna wynosić 15 m.
-  ..... Osoby postronne nie powinny zbliżać się do narzędzia.
-  ..... Zachować odległość co najmniej 15 m.
-  ..... Należy uważać na odrzuty.
-  ..... Nosić kask, okulary ochronne i ochronniki słuchu.
-  ..... Nosić rękawice ochronne.
-  ..... Nosić solidne obuwie robocze na podszewie antypoślizgowej. Zalecane jest obuwie ze stalowymi podnoskami.



..... Chronić narzędzie przed wilgocią.



..... Maksymalna dopuszczalna prędkość narzędzia.



..... Dotyczy tylko państw UE  
Nie wyrzucaj urządzeń elektrycznych lub akumulatorów wraz z odpadami z gospodarstwa domowego!  
Zgodnie z Europejską Dyrektywą 2012/19/UE w sprawie użytego sprzętu elektrotechnicznego i elektronicznego oraz 2006/66/WE dotyczącą akumulatorów i baterii, a także dostosowaniem ich do prawa krajowego, zużyte urządzenia elektryczne i akumulatory, których okres eksploatacji dobiegł końca, należy składować osobno i przekazywać do zakładu recyklingu działającego zgodnie z przepisami dotyczącymi ochrony środowiska.

### Dotyczy tylko krajów europejskich

ENH035-4

### Deklaracja zgodności WE

**Niniejszym firma Makita Corporation, jako odpowiedzialny producent oświadcza, że opisywane urządzenia marki Makita:**

Oznaczenie maszyny:  
Kosa akumulatorowa  
Nr modelu/ Typ: BBC231U, BC231UD  
Dane techniczne: patrz tabela „DANE TECHNICZNE”.

są produkowane seryjnie oraz

### Spełniają następujące dyrektywy europejskie:

2000/14/WE, 2006/42/WE

Są produkowane zgodnie z następującymi normami lub dokumentami normalizacyjnymi:

EN/ISO11806, EN60745

Dokumentacja techniczna przechowywana jest przez:

Makita International Europe Ltd.  
Technical Department,  
Michigan Drive, Tongwell,  
Milton Keynes, Bucks MK15 8JD, Wielka Brytania

Procedura oceny zgodności wymagana przez Dyrektywę 2000/14/WE została przeprowadzona zgodnie z Załącznikiem V.

Mierzony poziom mocy akustycznej: 93,6 dB (A)

Gwarantowany poziom mocy akustycznej: 95 dB (A)

2. 10. 2012



Tomoyasu Kato  
Dyrektor  
Makita Corporation  
3-11-8, Sumiyoshi-cho,  
Anjo, Aichi, 446-8502, JAPAN

Badanie typu na rynek WE zgodnie z dyrektywą 2006/42/WE zostało przeprowadzone przez:

DEKRA Testing and Certification GmbH  
Enderstraße 92b  
01277 Dresden, Niemcy  
Nr identyfikacyjny 2140

2. 10. 2012



Tomoyasu Kato  
Dyrektor  
Makita Corporation  
3-11-8, Sumiyoshi-cho,  
Anjo, Aichi, 446-8502, JAPAN

**Dotyczy tylko krajów europejskich** ENH040-3

**Deklaracja zgodności WE**

**Niniejszym firma Makita Corporation, jako odpowiedzialny producent oświadcza, że opisywane urządzenia marki Makita:**

Oznaczenie maszyny:

Wykaszarka akumulatorowa

Nr modelu/ Typ: BBC300L, BC300LD

Dane techniczne: patrz tabela „DANE TECHNICZNE”.

są produkowane seryjnie oraz

**Spełniają następujące dyrektywy europejskie:**

2000/14/WE, 2006/42/WE

Są produkowane zgodnie z następującymi normami lub dokumentami normalizacyjnymi:

EN709, EN/ISO10517, EN/ISO11680, EN/ISO11806, EN60745

Dokumentacja techniczna przechowywana jest przez:

Makita International Europe Ltd.

Technical Department,

Michigan Drive, Tongwell,

Milton Keynes, Bucks MK15 8JD, Wielka Brytania

Procedura oceny zgodności wymagana przez Dyrektywę 2000/14/WE została przeprowadzona zgodnie z Załącznikiem VIII.

Jednostka notyfikowana:

TÜV Rheinland LGA Products GmbH

Tillystraße 2

90431 Nürnberg, Niemcy

Numer identyfikacyjny 0197

Mierzony poziom mocy akustycznej: 91,3 dB (A)

Gwarantowany poziom mocy akustycznej: 93 dB (A)

Numer certyfikatu badania typu na rynek WE jako piły łańcuchowej na wysięgniku z przyrządem do podcinania gałęzi:

4811008.12016

## WAŻNE ZASADY BEZPIECZEŃSTWA

GEB068-3

**⚠ OSTRZEŻENIE! Należy przeczytać wszystkie zasady bezpieczeństwa i zalecenia.** Niezastosowanie się do wspomnianych zasad i zaleceń może doprowadzić do porażenia prądem elektrycznym, pożaru bądź poważnego urazu.

**Wszystkie ostrzeżenia i zalecenia należy zachować do wglądu na przyszłość.**

### Przeznaczenie

1. Akumulatorowa kosa/wykaszarka jest przeznaczona wyłącznie do koszenia trawy, chwastów, zarośli i poszycia. Nie należy jej używać do żadnych innych celów, takich jak krawędziowanie lub przycinanie żywopłotu, ponieważ grozi to obrażeniami.

### Zalecenia ogólne

1. Narzędzia nie wolno używać osobom, które nie przeczytały niniejszej instrukcji, osobom (w tym dzieciom) niebędącym w pełni władz fizycznych, poznawczych lub umysłowych, bądź nieposiadającym odpowiedniej wiedzy i doświadczenia. Należy uważać, aby dzieci nie bawiły się narzędziem.
2. Przed uruchomieniem narzędzia należy przeczytać niniejszą instrukcję obsługi w celu zapoznania się z jego obsługą.
3. Nie należy pożyczać niniejszego narzędzia osobie trzeciej nieposiadającej odpowiedniego doświadczenia lub wiedzy dotyczącej obsługi kos i wykaszarek.
4. W przypadku pożyczania narzędzia, należy zawsze dołączyć do niego niniejszą instrukcję obsługi.
5. Podczas użytkowania narzędzia należy zachować maksymalną ostrożność.
6. Nie wolno używać narzędzia, znajdując się pod wpływem alkoholu lub narkotyków, gdy jest się zmęczonym lub chorym.
7. Nie wolno modyfikować narzędzia.
8. Postępować zgodnie z przepisami dotyczącymi obsługi kos i wykaszarek obowiązujących w danym kraju.

## Sprzęt ochrony osobistej (Rys. 1)

1. Nosić kask bezpieczeństwa, okulary ochronne oraz rękawice ochronne w celu ochrony ciała przed latającymi odpadami lub spadającymi obiektami.
2. Stosować odpowiednią ochronę słuchu, taką jak nauszники, w celu zabezpieczenia słuchu przed uszkodzeniem.
3. Nosić odpowiednią odzież oraz obuwie w celu zapewnienia bezpiecznej obsługi, takie jak kombinezon roboczy i wytrzymałe obuwie na antypoślizgowej podeszwie. Nie nosić luźnych ubrań lub biżuterii. Luźne części ubrania, biżuteria i długie włosy mogą zostać pochwycone przez znajdujące się w ruchu części.
4. Podczas dotykania noża należy nosić rękawice ochronne. Noże mogą poważnie zranić odsłonięte dłonie.

## Bezpieczeństwo w miejscu pracy

1. Narzędzie należy używać tylko przy dobrym oświetleniu i odpowiedniej widoczności. Nie używać narzędzia w ciemności lub podczas mgły.
2. Narzędzia nie wolno używać w miejscach zagrożonych wybuchem, na przykład w obecności łatwopalnych cieczy, gazów lub pyłów. Narzędzie wytwarza iskry, które mogą powodować zapłon pyłów lub oparów.
3. Podczas obsługi narzędzia nigdy nie stawać na niestabilnej lub śliskiej nawierzchni bądź stronym zboczu. Podczas zimy należy zwrócić szczególną uwagę na lód i śnieg oraz zawsze przyjąć stabilną pozycję.
4. Podczas obsługi narzędzia należy zachować odległość co najmniej 15 m od osób postronnych i zwierząt. Wyłączyć narzędzie, w przypadku zbliżania się jakiegokolwiek osoby.
5. Przed użyciem narzędzia należy sprawdzić obszar roboczy pod kątem występowania kamieni lub innych obiektów. Mogą one zostać wyrzucone w powietrze lub spowodować odrzut, prowadząc do poważnych obrażeń ciała i/lub zniszczenia mienia.
6. **⚠ OSTRZEŻENIE:** Eksploatacja niniejszego produktu może prowadzić do powstania pyłu zawierającego substancje chemiczne, które mogą przedostać się do układu oddechowego lub przyczynić się do innych dolegliwości. Niektóre substancje chemiczne mogą stanowić związki występujące w pestycydach, środkach owadobójczych, nawozach i środkach chwastobójczych. Stopień narażenia na te substancje zależy od tego, jak często wykonywane są takie prace. Aby zmniejszyć niniejsze zagrożenie: należy pracować w miejscach dobrze wentylowanych i używać sprawdzonych zabezpieczeń, takich jak maski przeznaczone do odfiltrowywania mikroskopijnych cząstek.

## Zasady bezpieczeństwa dotyczące urządzeń elektrycznych i akumulatora

1. Narzędzie należy chronić przed deszczem i wilgocią. Woda, która dostanie się do wnętrza narzędzia, zwiększa ryzyko porażenia prądem elektrycznym.
2. Nie wolno używać narzędzia z uszkodzonym przełącznikiem zasilania. Narzędzia z uszkodzonym

przełącznikiem są niebezpieczne i wymagają naprawy.

3. Zapobiegać przypadkowemu uruchomieniu. Przed podłączeniem akumulatora, podniesieniem lub przeniesieniem narzędzia należy sprawdzić, czy przełącznik znajduje się w pozycji wyłączenia. Przenoszenie narzędzia z palcem na przełączniku lub podłączanie przewodu zasilającego przy włączonym przełączniku grozi wypadkiem.
4. Akumulator należy ładować wyłącznie przy użyciu ładowarki określonej przez producenta. Ładowarka przeznaczona do jednego typu akumulatora może stwarzać zagrożenie wystąpienia pożaru, w przypadku stosowania jej do ładowania innego akumulatora.
5. Do zasilania narzędzia należy używać tylko specjalnie wyznaczonych akumulatorów. Używanie innych akumulatorów może stwarzać ryzyko wystąpienia obrażeń ciała lub pożaru.
6. Gdy akumulator nie jest używany, należy zabezpieczyć go przed kontaktem z metalowymi przedmiotami, takimi jak spinacze, monety, klucze, gwoździe, śruby itp., które mogą powodować zwarcie styków akumulatora. Zwarcie styków akumulatora grozi poparzeniami lub pożarem.
7. W razie niewłaściwych warunków eksploatacji może dojść do wycieku elektrolitu z akumulatora. Nie wolno go dotykać. W razie przypadkowego kontaktu, należy przemyć skażoną skórę wodą. W przypadku kontaktu elektrolitu z oczami należy zwrócić się o pomoc lekarską. Płyn z akumulatora może powodować podrażnienia lub poparzenia.

## Uruchamianie narzędzia

1. Przed montażem lub regulacją narzędzia należy wyjąć akumulator.
2. Podczas obchodzenia się z nożem należy nosić rękawice ochronne.
3. Przed podłączeniem akumulatora należy przeprowadzić kontrolę narzędzia pod kątem uszkodzeń, poluzowanych śrub/nakrętek lub nieprawidłowego montażu. Naostrzyć stępiony nóż. W przypadku wygięcia lub uszkodzenia noża, należy go wymienić. Sprawdzić wszystkie dźwignie sterownicze i przełączniki w celu zapewnienia łatwej wymiany. Oczyszczyć i osuszyć uchwyty.
4. Nigdy nie włączać narzędzia, jeżeli jest ono uszkodzone lub nie jest całkowicie zmontowane. W przeciwnym wypadku może to przyczynić się do powstania poważnych obrażeń.
5. Przed włączeniem narzędzia należy usunąć wykorzystywane do regulacji klucze. Klucz pozostawiony na obracającym się elemencie narzędzia może spowodować poważne obrażenia ciała.
6. Wyregulować szelki nośne oraz rękojeść w celu dopasowania do postury operatora.
7. Podczas montażu akumulatora, należy trzymać przyrząd tnący z dala od ciała i innych obiektów, a także ziemi. Może on zostać wprawiony w ruch podczas uruchamiania i przyczynić się do powstania obrażeń ciała lub uszkodzenia samego narzędzia i/lub innej własności.

## Obsługa

1. W przypadku niebezpieczeństwa, wyłączyć natychmiast narzędzie.
2. W przypadku zauważenia pracy narzędzia odbiegającej od normy (np. hałas, wibracje), należy wyłączyć narzędzie. Nie używać narzędzia dopóki przyczyna nie zostanie rozpoznana i problem rozwiązany.
3. Przyrząd tnący obraca się jeszcze przez chwilę po wyłączeniu narzędzia. Nie dotykać od razu przyrządu tnącego po wyłączeniu.
4. Podczas pracy z narzędziem zawsze stosować szelki nośne. Trzymać stabilnie narzędzie po prawej stronie ciała.
5. Nie wolno sięgać narzędziem zbyt daleko. Należy stać pewnie, aby nie stracić równowagi. Zwracać uwagę na ukryte przeszkody, takie jak pnie drzew, korzenie i rowy w celu uniknięcia potknięcia.
6. Nigdy nie pracować na drabinie lub drzewie w celu uniknięcia utraty równowagi.
7. W przypadku silnego uderzenia narzędziem lub jego upadku, sprawdzić stan narzędzia przed ponownym przystąpieniem do kontynuowania pracy. Sprawdzić elementy sterujące oraz zabezpieczenia pod kątem prawidłowego działania. W przypadku stwierdzenia uszkodzenia lub wątpliwości, co do prawidłowej pracy narzędzia, należy zwrócić się do autoryzowanego centrum serwisowego w celu przeprowadzenia przeglądu i naprawy.
8. Nie dotykać przekładni. Podczas pracy przekładnia nagrzewa się.
9. Stosować przerwy podczas pracy z narzędziem, aby zapobiec utracie kontroli w wyniku zmęczenia. Zaleca się 10-20 minutową przerwę po każdej przepracowanej godzinie.
10. W przypadku pozostawienia narzędzia, nawet na krótką chwilę, należy zawsze wyjąć akumulator. Pozostawione bez nadzoru narzędzie z zamontowanym akumulatorem może zostać użyte przez nieupoważnioną osobę i doprowadzić do poważnego wypadku.
11. W przypadku zablokowania się trawy lub gałęzi pomiędzy przyrządem tnącym a osłoną, należy zawsze przed ich usunięciem wyłączyć narzędzie i wyjąć akumulator. W przeciwnym razie przypadkowy obrót przyrządu tnącego może przyczynić się do powstania poważnych obrażeń.
12. Jeśli przyrząd tnący uderzy o kamień lub inny twardy przedmiot, należy natychmiast wyłączyć narzędzie. Następnie wyjąć akumulator oraz sprawdzić przyrząd tnący.
13. Regularnie sprawdzać przyrząd tnący podczas pracy pod kątem pęknięć lub uszkodzeń. Przed sprawdzeniem należy wyjąć akumulator i poczekać na całkowite zatrzymanie przyrządu tnącego. Uszkodzony przyrząd tnący należy niezwłocznie wymienić, również w przypadku gdy pęknięcia są tylko powierzchowne.
14. Nie wolno kosić powyżej poziomu pasa.
15. Przed rozpoczęciem koszenia odczekać do momentu aż przyrząd tnący zacznie obracać się ze stałą prędkością po włączeniu narzędzia.
16. W przypadku używania do koszenia ostrzy metalowych, należy płynnym ruchem zataczać

narzędziem pół okręgu, z prawej strony do lewej i odwrotnie, tak jak podczas korzystania z kosy.

## Przyrządy tnące

1. Do pracy należy używać tylko odpowiedniego przyrządu tnącego.
  - Do podkaszania trawnika należy używać żyłkowej głowicy tnącej (żyłkowej głowicy podkaszającej).
  - Ostrza metalowe są odpowiednie do koszenia chwastów, wysokiej trawy, krzewów, krzaków, poszycia, zarosli itp.
  - Nigdy nie używać innych ostrzy zawierających metalowe wieloczęściowe łańcuchy obrotowe lub noże bijakowe. Kontakt z ostrzem może przyczynić się do powstania poważnych obrażeń ciała.
2. Zawsze stosować osłonę przyrządu tnącego odpowiednio dopasowaną do używanego przyrządu tnącego.
3. W przypadku używania ostrzy metalowych należy unikać sytuacji mogących spowodować „odrzut” oraz być przygotowanym w każdej chwili na przypadkowy odrzut. Patrz punkt „Odrzut”.

## Odrzut (zablokowanie ostrza)

1. Odrzut (zablokowanie ostrza) to gwałtowna reakcja na zablokowanie lub unieruchomienie noża. W przypadku wystąpienia odrzutu, narzędzie zostaje odrzucone z dużą siłą w bok lub w kierunku operatora, mogąc przyczynić się do powstania poważnych obrażeń ciała.
2. Odrzut może wystąpić przede wszystkim podczas przykładania ostrza pomiędzy godziną 12 a 2 do twardych przedmiotów, krzewów lub drzew o średnicy 3 cm lub większej. (**Rys. 2**)
3. Aby uniknąć odrzutu:
  - przykładac ostrze pomiędzy godziną 8 a 11;
  - nigdy nie przykładac ostrza pomiędzy godziną 12 a 2;
  - nigdy nie przykładac ostrza pomiędzy godziną 11 a 12 i pomiędzy godziną 2 a 5, chyba że operator posiada odpowiednie doświadczenie i wykona to na własną odpowiedzialność;
  - nigdy nie używać noży w pobliżu twardych przedmiotów, takich jak ogrodzenia, ściany, pnie drzew oraz kamienie;
  - nigdy nie używać noży w położeniu pionowym do takich operacji, jak krawędziowanie lub przycinanie żywoplotu. (**Rys. 3**)

## Drgania

1. U osób z problemami krążeniowymi, które są narażone na działanie zbyt intensywnych drgań, może dochodzić do uszkodzenia naczyń krwionośnych lub układu nerwowego. Drgania mogą wywoływać poniższe objawy w palcach, rękach lub nadgarstkach: „senność” (odrętwienie), mrowienie, bóle, wrazenie klucia, zmiany w zabarwieniu skóry lub zmiany na skórze. W razie wystąpienia dowolnego z powyższych objawów, należy zgłosić się do lekarza!
2. W celu zmniejszenia ryzyka wystąpienia „choroby białych palców” należy zapobiegać wyziębieniu dłoni oraz zapewnić prawidłowy stan narzędzia i wyposażenia dodatkowego.

## Transport

1. Przed transportowaniem narzędzia należy je wyłączyć i wyjąć akumulator. Przymocować pokrywę do noża.
2. Podczas transportu narzędzia przenosić je w pozycji poziomej, trzymając za drążek.
3. Podczas przewożenia narzędzia pojazdem, należy je odpowiednio zabezpieczyć, aby nie dopuścić do jego przewrócenia się. W przeciwnym wypadku może dojść do uszkodzenia narzędzia i innych przewożonych bagaży.

## Konserwacja

1. Aby narzędzie podlegało serwisowaniu przez nasze autoryzowane centrum serwisowe należy stosować wyłącznie oryginalne części zamienne. Nieprawidłowa naprawa i konserwacja mogą przyczynić się do skrócenia żywotności narzędzia oraz zwiększyć ryzyko wypadków.
2. Przed przystąpieniem do czynności konserwacyjnych, napraw lub czyszczenia narzędzia należy zawsze je wyłączyć i wyjąć akumulator.
3. Podczas pracy przy nożu zawsze nosić rękawice ochronne.
4. Zawsze czyścić narzędzie z pyłu i zanieczyszczeń. Nie stosować benzyny, rozpuszczalników, alkoholu itp. środków. Substancje takie mogą spowodować odbarwienia, odkształcenia lub pęknięcia elementów z tworzyw sztucznych.
5. Po każdym użyciu narzędzia należy dokręcić wszystkie śruby i nakrętki.
6. Nie wykonywać prac konserwacyjnych i naprawczych, które nie zostały opisane w instrukcji obsługi. W celu wykonania tego typu prac należy zwrócić się do naszego autoryzowanego centrum serwisowego.
7. Używać wyłącznie oryginalnych akcesoriów i części zamiennych. Stosowanie części lub akcesoriów innych producentów może prowadzić do uszkodzenia narzędzia, mienia i/lub powstania poważnych obrażeń.
8. Przekazywać narzędzie do naszego autoryzowanego centrum serwisowego w celu przeprowadzania jego regularnych przeglądów.

## Przechowywanie

1. Jeżeli narzędzie ma być nieużywane przez dłuższy okres, należy je całkowicie oczyścić i zakonserwować. Wyjąć akumulator. Przymocować pokrywę do noża.
2. Narzędzie należy przechowywać w suchym, zamkniętym pomieszczeniu, wysoko, poza zasięgiem dzieci.
3. Nie podierać o nic narzędzia, np. o ścianę. Narzędzie może się nagle przewrócić, powodując nieoczekiwane obrażenia.

## Pierwsza pomoc

1. W pobliżu należy zawsze przechowywać apteczkę pierwszej pomocy. Wszelkie ubytki z apteczki należy niezwłocznie uzupełniać.
2. Wzywając karetkę, należy podać następujące informacje:
  - Miejsce wypadku
  - Opis wydarzenia
  - Liczbę osób, które odniosły obrażenia
  - Opis obrażenia
  - Własne imię i nazwisko

## ZACHOWAĆ INSTRUKCJĘ OBSŁUGI.



### OSTRZEŻENIE:

**NIE WOLNO** pozwolić, aby wygoda lub rutyna (nabyte w wyniku wielokrotnego używania narzędzia) zastąpiły ściśle przestrzeganie zasad bezpiecznej obsługi. **NIEWŁAŚCIWE UŻYTKOWANIE** narzędzia lub niestosowanie się do zasad bezpieczeństwa, podanych w niniejszej instrukcji obsługi, może prowadzić do poważnych obrażeń ciała.

## WAŻNE ZASADY BEZPIECZEŃSTWA

ENC007-7

## DOTYCZĄCE AKUMULATORA

1. Przed użyciem akumulatora należy zapoznać się ze wszystkimi zaleceniami i znakami ostrzegawczymi na (1) ładowarce, (2) akumulatorze i (3) produkcie, w którym będzie używany akumulator.
2. Akumulatora nie wolno demontować.
3. Jeśli czas pracy uległ znacznemu skróceniu, należy natychmiast przerwać pracę. Może bowiem dojść do przegrzania, ewentualnych poparzeń, a nawet eksplozji.
4. W razie dostania się elektrolitu do oczu należy je przemyć wodą i niezwłocznie zasięgnąć pomocy lekarza. Kontakt elektrolitu z okiem może spowodować utratę wzroku.
5. Nie wolno zierać styków akumulatora:
  - (1) Nie dotykać styków przedmiotami przewodzącymi prąd.
  - (2) Nie wolno przechowywać akumulatora w pojemniku z innymi metalowymi przedmiotami, takimi jak gwoździe, monety itp.
  - (3) Akumulator należy chronić przed wodą lub deszczem.

Zwarcie powoduje przepływ prądu elektrycznego o dużym natężeniu i przegrzanie akumulatora, co w konsekwencji może grozić poparzeniami, a nawet awarią urządzenia.

6. Narzędzia i akumulatora nie wolno przechowywać w miejscach, w których temperatura osiąga lub przekracza 50°C.
7. Akumulatorów nie wolno spalać, nawet tych poważnie uszkodzonych lub całkowicie zużytych. W ogniu akumulator może eksplodować.
8. Akumulator należy chronić przed upadkiem i uderzeniami.
9. Nie wolno używać uszkodzonych akumulatorów.

## ZACHOWAĆ INSTRUKCJĘ OBSŁUGI.

### Wskazówki dotyczące zachowania maksymalnej trwałości akumulatora

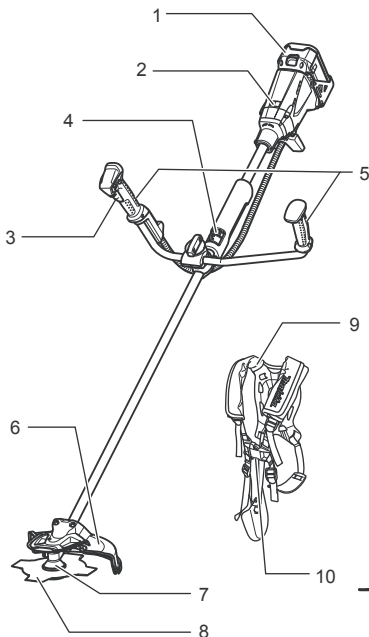
1. Akumulator należy naładować, zanim ulegnie całkowitemu rozładowaniu.

- W przypadku stwierdzenia spadku mocy narzędzia należy przerwać pracę i naładować akumulator.
- Nie wolno ładować w pełni naładowanego akumulatora.  
Zbyt długie ładowanie skraca okres eksploatacji.

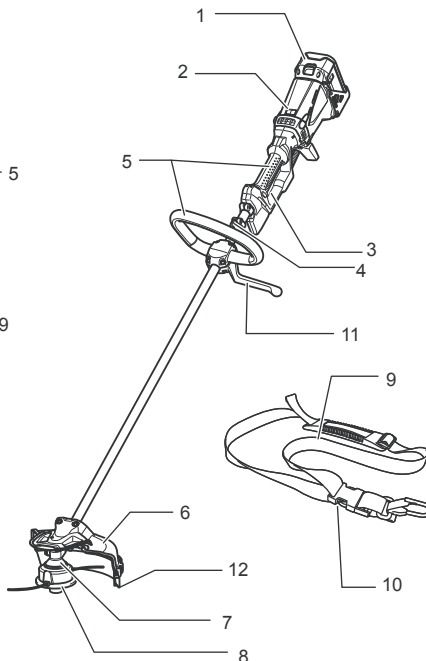
- Akumulator należy ładować w temperaturze pokojowej 10-40°C. Przed naładowaniem akumulatora należy odczekać, aż ostygnie.
- W przypadku niekorzystania z urządzenia przez dłuższy czas, akumulator należy ładować raz na sześć miesięcy.

## OPIS CZĘŚCI

BBC231U / BC231UD



BBC300L / BC300LD



1	Akumulator	7	Skrzynka przekładniowa
2	Kontrolka	8	Element tnący
3	Przycisk wyłącznika	9	Szelki nośne
4	Zaczep (punkt zawieszenia)	10	Klamra
5	Uchwyt	11	Zabezpieczenie
6	Osłona (osłona przyrządu tnącego)	12	Przedłużenie osłony

013124

## OPIS DZIAŁANIA

### ⚠ OSTRZEŻENIE:

- Przed przystąpieniem do regulacji lub przeglądu narzędzia upewnić się, czy jest ono wyłączone i czy został wyjęty akumulator. W przeciwnym razie może dojść do przypadkowego uruchomienia narzędzia i poważnych obrażeń.

## Wkładanie lub wyjmowanie akumulatora (Rys. 4)

### ⚠ UWAGA:

- Przed montażem lub demontażem akumulatora należy wyłączyć narzędzie.
- Podczas wkładania lub wyjmowania akumulatora należy mocno trzymać narzędzie i akumulator. W przeciwnym razie narzędzie i akumulator mogą wyslizgnąć się z rąk, powodując uszkodzenie narzędzia i akumulatora oraz obrażenia ciała.

Aby wyjąć akumulator, należy wysunąć go z narzędzia, przesuwając przycisk znajdujący się w przedniej części akumulatora.

Aby włożyć akumulator, należy wyrównać występ na akumulatorze ze szczeliną w obudowie i wsunąć go na miejsce. Akumulator należy wsunąć do oporu, aż się zablokuje, co jest sygnalizowane delikatnym kliknięciem. Jeśli jest widoczny czerwony element w górnej części przycisku, akumulator nie został całkowicie zablokowany.

#### **UWAGA:**

- Akumulator należy zamontować całkowicie, tak aby czerwony element nie był widoczny. W przeciwnym razie akumulator może przypadkowo wysunąć się z narzędzia, raniąc operatora lub osoby postronne.
- Nie montować akumulatora na siłę. Jeśli nie można swobodnie wsunąć akumulatora, prawdopodobnie został on nieprawidłowo włożony.

## Działanie wyłącznika zasilania

### **OSTRZEŻENIE:**

- **Przed włożeniem akumulatora do narzędzia należy zawsze sprawdzić, czy język spustowy przełącznika działa prawidłowo i po zwolnieniu powraca do pozycji WYŁĄCZENIA. Nie wolno silnie ciągnąć za przełącznik spustowy bez naciśnięcia przycisku zwalniającego. Można w ten sposób połamać przełącznik.** Użytkowanie narzędzia, w którym przełącznik nie działa prawidłowo, może prowadzić do utraty panowania nad narzędziem i być przyczyną poważnych obrażeń ciała. (Rys. 5 i 6)

Narzędzie posiada przycisk blokady, który zapobiega przypadkowemu naciśnięciu przycisku wyłącznika. Aby uruchomić urządzenie, należy nacisnąć przycisk blokady i pociągnąć za spust. Prędkość narzędzia rośnie wraz ze zwiększaniem nacisku na wyłącznik. Aby zatrzymać narzędzie, wystarczy zwolnić wyłącznik.

## Przełącznik zmiany kierunku obrotów w celu usuwania odpadów (Rys. 7 i 8)

Urządzenie jest wyposażone w przełącznik zmiany kierunku obrotów służący wyłącznie do zmiany kierunku pracy silnika w celu usunięcia chwastów i odpadów blokujących narzędzie. Aby normalnie użytkować narzędzie, należy nacisnąć część „A” przełącznika.

Aby usunąć chwasty i odpady zakleszczone w głowicy obrotowej, należy zmienić kierunek obrotów naciskając część „B” przełącznika. W tym trybie pracy narzędzie będzie działało tylko przez chwilę, a następnie automatycznie się wyłączy.

### **OSTRZEŻENIE:**

- **Należy upewnić się, że narzędzie jest wyłączone, a akumulator został wyjęty przed przystąpieniem do usuwania chwastów i odpadów, które nie zostały usunięte po zmianie kierunku obrotów narzędzia.** W przeciwnym razie może dojść do przypadkowego uruchomienia narzędzia i poważnych obrażeń.

#### **UWAGA:**

- Przed uruchomieniem narzędzia zawsze należy sprawdzić ustawienie kierunku obrotów.
- Kierunek obrotów można zmieniać tylko wówczas, gdy urządzenie całkowicie się zatrzyma. Zmiana kierunku obrotów przed zatrzymaniem się narzędzia grozi jego uszkodzeniem.

## Zmiana prędkości obrotowej (Rys. 9 i 10)





Przełącznik zmiany prędkości umożliwia wybór dwóch zakresów prędkości.

Przesunięcie dźwigni zmiany prędkości do położenia „1” włączy tryb niskiej prędkości narzędzia; w położeniu „2” włączy się tryb wysokiej prędkości narzędzia.

## System zabezpieczający akumulatora/silnika

Akumulator i narzędzie są wyposażone w zabezpieczenia, które automatycznie redukują lub wyłączają zasilanie, gdy wystąpi przeciążenie mogące uszkodzić narzędzie lub akumulator. Jeśli narzędzie będzie przeciążone, ale nie zablokuje się, zabezpieczenie zmniejszy obroty, aby ochronić silnik. W tym przypadku dwie kontrolki podane w tabeli poniżej nie zapalają się i nie pulsują.

Wszystkie inne funkcje zabezpieczeń określają kontrolki opisane w tabeli poniżej. (Rys. 11)

		Stan	Wymagane działanie
-		Akumulator jest bliski wyczerpania.	Wymienić akumulator na całkowicie naładowany.
-		Zabezpieczenie akumulatora wyłącza zasilanie - akumulator wyczerpał się.	Wymienić akumulator na całkowicie naładowany.
Pulsuje	-	Zabezpieczenie przed przeciążeniem odcina zasilanie - silnik został zablokowany.	Zwolnić przycisk wyłącznika i usunąć przyczynę blokady lub przeciążenia silnika. Jeśli element tnący jest zablokowany przez owinięte chwasty itp., przed ich usunięciem zawsze należy wyjąć akumulator.
Świeci	-	Zabezpieczenie przed przegrzaniem odcina zasilanie - przegrzanie	Odłożyć narzędzie na pewien czas.
Pulsuje	Pulsuje	Usterka elektryczna lub elektroniczna.	Zlecić naprawę w lokalnym autoryzowanym punkcie serwisowym.



## Żyłkowa głowica tnąca (dodatkowe wyposażenie w modelu posiadającym ostrze tnące)

### UWAGA:

- Nie wolno wysuwać żyłki poprzez uderzenie głowicy o podłoże, gdy narzędzie pracuje na wysokich obrotach. Wysunięcie żyłki narzędzia pracującego na wysokich obrotach może spowodować uszkodzenie głowicy tnącej.
- Układ wysuwania żyłki nie będzie działał prawidłowo, jeśli głowica się nie kręci. (Rys. 12)

Żyłkowa głowica tnąca to dwużyłkowa głowica podkaszająca, wyposażona w mechanizm wysuwający żyłkę po uderzeniu o podłoże. Aby wysunąć żyłkę, należy uderzyć głowicą tnącą o podłoże, gdy narzędzie pracuje na niskich obrotach. Przy wysuwaniu się żyłki zostanie automatycznie przycięta do odpowiedniej długości przez przycinaki na przedłużeniu osłony.

### UWAGA:

Jeśli żyłka nie wysuwa się po uderzeniu, należy nawinąć/założyć nową żyłkę, postępując według procedur opisanych w części „Konserwacja”.

## Wskaźnik poziomu naładowania akumulatora (tylko modele wyposażone w akumulator BL3622A)

Akumulator BL3622A posiada wskaźnik poziomu naładowania akumulatora. (Rys. 13)

Nacisnąć przycisk CHECK, aby sprawdzić poziom naładowania akumulatora. Kontrolki będą świecić przez ok. trzy sekundy.

Kontrolki	Poziom naładowania
 Świeci się    Nie świeci się    Miga	
	70% do 100%
	45% do 70%
	20% do 45%
	0% do 20%
	Naładować akumulator.
	Mogła wystąpić usterka akumulatora.

011713

- Gdy miga tylko najniższa kontrolka (obok symbolu „E”) lub gdy żadna z kontrolkek nie świeci, akumulator jest rozładowany i urządzenie nie będzie dłużej pracować. W takich sytuacjach należy naładować akumulator lub wymienić akumulator rozładowany na naładowany.
- Gdy dwie lub więcej kontrolkek nie świecą nawet po naładowaniu akumulatora, okres eksploatacji akumulatora dobiegł końca.
- Gdy dwie górne i dwie dolne kontrolki świecą na przemian, akumulator może być uszkodzony.

Skontaktować się z autoryzowanym centrum serwisowym Makita.

### UWAGA:

- Wskazywany poziom naładowania akumulatora może być niższy niż rzeczywisty podczas użytkowania lub bezpośrednio po użyciu narzędzia.
- Zależnie od warunków użytkowania i temperatury otoczenia, wskazywany poziom może nieznacznie się różnić od rzeczywistego poziomu naładowania akumulatora.

## MONTAŻ

### ⚠ OSTRZEŻENIE:

- Przed przystąpieniem do jakichkolwiek czynności związanych z obsługą narzędzia należy koniecznie upewnić się, czy jest ono wyłączone i czy akumulator został wyjęty.** W przeciwnym razie może dojść do przypadkowego uruchomienia narzędzia i poważnych obrażeń.
- Nie wolno uruchamiać narzędzia, jeśli nie jest całkowicie zmontowane.** Użytkowanie narzędzia, które jest tylko częściowo zmontowane może spowodować poważne obrażenia spowodowane przypadkowym uruchomieniem.

## Montaż rękojeści

### Dotyczy modelu BBC231U, BC231UD

Wsunąć drążek uchwytu w pokrętko, jak pokazano na rysunku. Wyosiować otwór śruby w pokrętkę względem otworu w drążku. Mocno dokręcić śrubę. (Rys. 14)

Odkręcić pokrętko. Umieścić uchwyt między zaciskiem i oprawą. Ustawić uchwyt pod takim kątem, aby gwarantował komfortową pozycję roboczą, po czym unieruchomić go, dokręcając ręcznie pokrętko do oporu. (Rys. 15)

### Dotyczy modelu BBC300L, BC300LD (Rys. 16)

Zamocować osłonę i pokrętko na rurze wałka za pomocą czterech śrub. Należy sprawdzić, czy zespół pokrętko/osłona został zamocowany pomiędzy przekładką a symbolem strzałki.

Umieścić osłonę z lewej strony narzędzia. Dokręcić cztery śruby, aby zespół pokrętko/osłona nie mógł poruszać się lub obracać na rurze wałka.

### ⚠ OSTRZEŻENIE:

- Nie demontować ani zwaćcać przekładki.** Przekładka utrzymuje dłoń w pewnej odległości. Zbliżenie uchwytu/osłony do drugiego uchwytu na odległość mniejszą niż szerokość przekładki może spowodować utratę kontroli i poważne obrażenia.

## Montaż osłony (Rys. 17 i 18)

### ⚠ OSTRZEŻENIE:

- Nie wolno użytkować narzędzia bez zamontowanej osłony, jak to pokazano na rysunku.** Nieprzestrzeganie tej zasady może spowodować poważne obrażenia.

### ⚠ UWAGA:

- Podczas montażu przedłużenia osłony należy uważać, aby nie dotknąć ostrego przycinaka żyłki**

**zamontowanego na przedłużeniu osłony.** Zetknięcie z przycinakiem może spowodować obrażenia. Zamocować pokrywę ochronną na przekładni. Lekko odchylić łopatkę na zewnątrz i wsunąć śruby w otwory łopatek. **(Rys. 19)**

#### **PRZESTROGA:**

• **Uważać, aby nie odchylić łopatek zbyt mocno na zewnątrz.** Może to doprowadzić do ich złamania. Przymocować osłonę do zacisku za pomocą dwóch wkrętów, zgodnie z rysunkiem. Równomiernie dokręcić prawy i lewy wkręt. **(Rys. 20)**  
W przypadku korzystania z żyłkowej głowicy tnącej, należy zamontować przedłużenie osłony. Umieścić przedłużenie osłony w przewodnicy znajdującej się na dolnej krawędzi osłony. Wsunąć przedłużenie osłony w przewodnicę do momentu jej zatrzaśnięcia i zablokowania na miejscu. Przedłużenie osłony jest tak konstruowane, że można je zamontować na osłonie tylko w jednym kierunku. **(Rys. 21)**

#### **UWAGA:**

• Przed pierwszym użyciem należy usunąć taśmę z noża do przycinania żyłki w przedłużeniu osłony. **(Rys. 22)**  
Aby zdemontować przedłużenie osłony, należy użyć płaskiego wkrętaka i umieścić go w małym wycięciu znajdującym się na trzpieniu blokującym. Aby odblokować przedłużenie osłony, należy nacisnąć trzpień blokujący przesuwając jednocześnie dolną część przedłużenia osłony w kierunku pokazanym na rysunku. Gdy przedłużenie osłony znacznie się przesuwa, oznacza to, że jest ono odblokowane i można je wyjąć zsuwając z osłony.

#### **Montaż noża**

##### **⚠ OSTRZEŻENIE:**

• **Średnica zewnętrzna noża musi wynosić 230 mm.** Nie wolno używać noży o średnicy zewnętrznej, która przekracza 230 mm.

##### **⚠ UWAGA:**

• Nóż musi być dobrze wypolerowany, bez pęknięć, wyszczerbień i rys. Nóż należy ostrzyć lub wymieniać po każdym trzech godzinach pracy.  
• Podczas jakichkolwiek czynności wymagających kontaktu z nożem należy nosić rękawice ochronne.  
• Kiedy narzędzie nie jest używane lub jest transportowane, zawsze należy zakładać osłonę na nóż.  
• Nakrętka mocująca nóż (z podkładką sprężystą) jest częścią ulegającą zużyciu. W razie zauważenia jakichkolwiek oznak jej zużycia lub zniekształcenia, należy wymienić nakrętkę. Zamówić nakrętkę w lokalnym autoryzowanym punkcie serwisowym.

#### **UWAGA:**

• Należy stosować oryginalne noże firmy Makita. Odwrócić narzędzie do góry nogami, aby ułatwić wymianę noża. **(Rys. 23)**  
Aby zdemontować nóż, należy wsunąć klucz imbusowy przez otwór w pokrywie ochronnej i przekładni. Obracać podkładkę stabilizującą kluczem imbusowym do oporu. Odkręcić nakrętkę sześciokątną (gwint lewy) kluczem imbusowym i zdjąć nakrętkę, nasadkę, podkładkę dociskową i klucz. **(Rys. 24)**

Zamontować nóż na osi w taki sposób, aby prowadnica podkładki stabilizującej pokrywała się z otworem osiowym w nożu. Założyć podkładkę stabilizującą i nasadkę, po czym przykręcić nóż nakrętką sześciokątną momentem 13-23 Nm, przytrzymując podkładkę stabilizującą kluczem imbusowym. **(Rys. 25)**

Upewnić się, że nóż jest zwrócony lewą stroną do góry.

#### **Montaż żyłkowej głowicy tnącej**

##### **⚠ UWAGA:**

• **Żyłkową głowicę tnącą należy stosować tylko, gdy zamontowane są osłona i przedłużenie osłony.** Nieprzestrzeganie tej zasady może spowodować poważne obrażenia.

#### **UWAGA:**

• Należy stosować oryginalne żyłkowe głowice tnące firmy Makita.

Odwrócić narzędzie do góry nogami, aby ułatwić wymianę żyłkowej głowicy tnącej. **(Rys. 26)**

Wsunąć klucz imbusowy przez otwór w pokrywie ochronnej i przekładni, a następnie obracać podkładkę stabilizującą kluczem imbusowym do oporu. Zamontować żyłkową głowicę tnącą bezpośrednio na trzpieniu gwintowanym i dokręcić, obracając ją w lewo. Wyjąć klucz imbusowy.

Aby zdemontować żyłkową głowicę tnącą, należy obracać ją w prawo, przytrzymując podkładkę stabilizującą kluczem imbusowym.

##### **⚠ UWAGA:**

• **Jeśli podczas pracy żyłkowa głowica tnąca przypadkowo natrafi na kamień lub twardy przedmiot, należy zatrzymać narzędzie i sprawdzić, czy nie zostało uszkodzone. Jeśli żyłkowa głowica tnąca zostanie uszkodzona, należy ją niezwłocznie wymienić.** Użytkowanie uszkodzonej żyłkowej głowicy tnącej może spowodować poważne obrażenia.

## **OBSŁUGA**

### **Prawidłowa obsługa urządzenia (BBC231U, BC231UD)**

#### **Prawidłowa postawa**

##### **⚠ OSTRZEŻENIE:**

• **Narzędzie należy zawsze umieszczać z prawej strony, aby drążek lewego uchwytu przez cały czas był z przodu.** Właściwe umieszczenie narzędzia zapewnia odpowiednie panowanie nad nim i zmniejsza niebezpieczeństwo obrażeń spowodowanych odrzutem.

Należy założyć szelki nośne zgodnie z rysunkiem i zawiesić narzędzie z prawej strony, aby drążek lewego uchwytu przez cały czas był z przodu. **(Rys. 27)**

#### **Mocowanie szelek nośnych (Rys. 28)**

Szelki nośne należy założyć na barki, a następnie zaczepić o haczyk, aż będzie słychać kliknięcie. Należy sprawdzić, czy nie można ich zdjąć, ciągnąc za szelki. Zaczepić narzędzie zgodnie z rysunkiem.

#### **Zdejmowanie (Rys. 29)**

Klamra pozwala szybko zwolnić narzędzie - wystarczy po prostu nacisnąć boczne części klamry.

### **⚠ OSTRZEŻENIE:**

- **Należy zachować najwyższą ostrożność, aby nie utracić panowania nad urządzeniem. Nie dopuścić, aby urządzenie odchyliło się w stronę użytkownika lub jakiegokolwiek innej osoby przebywającej w pobliżu.** Nieprzestrzeżenie tego zalecenia może prowadzić do poważnych obrażeń.

### **Regulacja położenia zaczepu oraz szelek nośnych**

W przypadku wymiany jednego akcesoria na inne, wyważenie masy narzędzia może ulec zmianie. W takiej sytuacji, należy wyregulować położenie zaczepu oraz długość szelek nośnych zgodnie z poniższym opisem. W celu zmiany położenia zaczepu należy poluzować śrubę mocującą na zaczepie za pomocą dostarczonego klucza, a następnie przesunąć zaczep i podkładkę. Podkładkę można przesunąć za pomocą ruchu skrętnego.

Wyregulować położenie zaczepu oraz długość szelek nośnych, tak aby:

- położenie zaczepu znajdowało się na wysokości 750 mm lub wyżej od ziemi,
- element tnący znajdował się na wysokości 100-300 mm nad ziemią oraz
- nieosłonięta część elementu tnącego znajdowała się poziomo 750 mm lub dalej od zaczepu. **(Rys. 30)**

Po ustawieniu położenia zaczepu mocno dokręcić śrubę za pomocą klucza.

### **Prawidłowa obsługa urządzenia (BBC300L, BC300LD)**

#### **Prawidłowa postawa**

### **⚠ OSTRZEŻENIE:**

- **Narzędzie należy zawsze umieszczać z prawej strony, aby bariera przez cały czas była z przodu.**

Właściwe umieszczenie narzędzia zapewni odpowiednie panowanie nad nim i zmniejsza niebezpieczeństwo obrażeń spowodowanych odrzutem.

Jak pokazano na rysunku, należy umieścić szelki na lewym ramieniu przekładając przez nie głowę i prawe ramię; narzędzie należy zawsze umieszczać z prawej strony, aby bariera znajdowała się z przodu. **(Rys. 31)**

#### **Mocowanie szelek nośnych (Rys. 32)**

Po założeniu szelek nośnych można założyć na nie narzędzie, łącząc klamry umieszczone na haku narzędzia i na szelkach. Należy sprawdzić, czy klamry są prawidłowo zaپیęte.

#### **Zdejmowanie (Rys. 33)**

Klamra pozwala szybko zwolnić narzędzie - wystarczy po prostu nacisnąć boczne części klamry.

### **⚠ OSTRZEŻENIE:**

- **Należy zachować najwyższą ostrożność, aby nie utracić panowania nad urządzeniem. Nie dopuścić, aby urządzenie odchyliło się w stronę użytkownika lub jakiegokolwiek innej osoby przebywającej w pobliżu.** Brak panowania nad narzędziem może spowodować poważne obrażenia operatora lub osób postronnych.

### **Regulacja położenia zaczepu oraz szelek nośnych**

W przypadku wymiany jednego akcesoria na inne, wyważenie masy narzędzia może ulec zmianie. W takiej

sytuacji, należy wyregulować położenie zaczepu oraz długość szelek nośnych zgodnie z poniższym opisem. W celu zmiany położenia zaczepu należy poluzować śrubę mocującą na zaczepie za pomocą dostarczonego klucza, a następnie przesunąć zaczep.

Wyregulować położenie zaczepu oraz długość szelek nośnych, tak aby:

- położenie zaczepu znajdowało się na wysokości 750 mm lub wyżej od ziemi,
- element tnący znajdował się maksymalnie na wysokości 300 mm nad ziemią oraz
- nieosłonięta część elementu tnącego znajdowała się poziomo 750 mm lub dalej od zaczepu. **(Rys. 34)**

Po ustawieniu położenia zaczepu mocno dokręcić śrubę za pomocą klucza.

## **KONSERWACJA**

### **⚠ OSTRZEŻENIE:**

- **Przed przystąpieniem do przeglądu narzędzia lub jego konserwacji upewnić się, czy jest ono wyłączone i czy akumulator został wyjęty.** W przeciwnym razie może dojść do przypadkowego uruchomienia narzędzia i poważnych obrażeń.

#### **UWAGA:**

- Nie wolno używać benzyny, benzenu, rozpuszczalnika, alkoholu itp. Substancje takie mogą spowodować odbarwienia, odkształcenia lub pęknięcia.

### **Smarowanie przekładni (Rys. 35)**

Przekładnię należy smarować co 30 godzin, wprowadzając do niej smar (Shell Alvania 2 lub odpowiednik) przez otwór smarowniczy. (W punktach sprzedaży produktów MAKITA można nabyć oryginalny smar Makita.)

### **Wymiana żyłki**

### **⚠ OSTRZEŻENIE:**

- **Przed przystąpieniem do przeglądu narzędzia lub jego konserwacji upewnić się, czy jest ono wyłączone i czy akumulator został wyjęty.** W przeciwnym razie może dojść do przypadkowego uruchomienia narzędzia i poważnych obrażeń.
- **Upewnić się, że pokrywa żyłkowej głowicy tnącej jest odpowiednio zamocowana do obudowy, zgodnie z poniższym opisem.** Nieprawidłowe założenie pokrywy może spowodować rozrzucone elementów głowicy tnącej, co może być przyczyną poważnych obrażeń. **(Rys. 36)**

Nacisnąć na zaczepy obudowy i podnieść w górę pokrywę, aby ją zdjąć. Usunąć pozostałą żyłkę. **(Rys. 37)** Zaczepić środek nowej żyłki o występ umieszczony na środku szpuli pomiędzy dwoma rowkami prowadzącymi żyłkę. Część żyłki po jednej stronie powinna być ok. 80 mm dłuższa, niż druga część.

Nawinąć oba końce wokół szpuli w kierunku obrotów głowicy w lewo (symbol LH). **(Rys. 38)**

Nawinąć całą żyłkę, pozostawiając tylko ok. 100 mm i zaczepiając tymczasowo koniec na wcięciu z boku szpuli. **(Rys. 39)**

Zamontować szpulę w obudowie tak, aby szczeliny i występy na szpuli pokrywały się z tymi na obudowie. Ustawić szpulę tak, aby znajdujące się na niej litery były

widoczne. Teraz należy odczepić końce żyłki z ich tymczasowej pozycji i wsunąć żyłki w oczka tak, aby wystawały z obudowy. **(Rys. 40)**

Wyrównać występ w spodniej stronie pokrywy ze szczelinami oczek. Następnie mocno wcisnąć pokrywę na obudowę, aż się zablokuje. Należy dopilnować, aby zaczepy całkowicie rozłożyły się w pokrywie.

W celu zachowania odpowiedniego poziomu **BEZPIECZEŃSTWA** i **NIEZAWODNOŚCI** wyrobu, wszelkie naprawy i różnego rodzaju prace konserwacyjne lub regulacje powinny być przeprowadzane przez

autoryzowany punkt serwisowy firmy Makita, zawsze z użyciem oryginalnych części zamiennych Makita.

## ROZWIĄZYWANIE PROBLEMÓW

Przed oddaniem narzędzia do naprawy należy samodzielnie wykonać przegląd. W razie napotkania problemu, który nie został wyjaśniony w instrukcji, nie należy próbować rozbierać narzędzia. Należy natomiast zlecić naprawę w autoryzowanym punkcie serwisowym firmy Makita, zawsze z użyciem oryginalnych części zamiennych Makita.

Objaw usterki	Przyczyna	Postępowanie
Silnik nie uruchamia się.	Nie włożono akumulatora.	Włożyć akumulator.
	Problem z akumulatorem (zbyt niskie napięcie).	Naładować akumulator. Jeśli ładowanie nie jest skuteczne, należy wymienić akumulator.
	Układ napędowy nie działa prawidłowo.	Zlecić naprawę w lokalnym autoryzowanym punkcie serwisowym.
Silnik przestaje pracować po krótkim czasie.	Zmieniono kierunek obrotów.	Zmienić kierunek obrotów odpowiednim przełącznikiem.
	Poziom naładowania akumulatora jest niski.	Naładować akumulator. Jeśli ładowanie nie jest skuteczne, należy wymienić akumulator.
	Przegrzanie.	Przerwać pracę, aby narzędzie ostygło.
Nie można osiągnąć maksymalnych obrotów.	Akumulator został włożony nieprawidłowo.	Włożyć akumulator zgodnie z opisem w tej instrukcji.
	Spada moc akumulatora.	Naładować akumulator. Jeśli ładowanie nie jest skuteczne, należy wymienić akumulator.
	Układ napędowy nie działa prawidłowo.	Zlecić naprawę w lokalnym autoryzowanym punkcie serwisowym.
Element tnący nie obraca się: Natychmiast wyłączyć narzędzie!	Przeszkoda, np. gałąź, zablokowała się między osłoną i żyłkową głowicą tnącą lub nożem.	Usunąć przeszkodę.
	Nakrętka mocująca nóż jest poluzowana.	Dokręcić odpowiednio nakrętkę zgodnie z opisem w niniejszej instrukcji.
	Nóż jest wygięty.	Wymienić nóż.
	Układ napędowy nie działa prawidłowo.	Zlecić naprawę w lokalnym autoryzowanym punkcie serwisowym.
Nietypowe drgania: Natychmiast wyłączyć narzędzie!	Jedna z żyłek urwała się i głowica jest niewyważona.	Uderzyć żyłkową głowicą tnącą o podłoże, gdy się obraca, aby wysunąć żyłkę.
	Nóż jest wygięty, pęknięty lub zużyty.	Wymienić nóż.
	Nakrętka mocująca nóż jest poluzowana.	Dokręcić odpowiednio nakrętkę zgodnie z opisem w niniejszej instrukcji.
	Nóż jest zamocowany nieprawidłowo.	
	Układ napędowy nie działa prawidłowo.	Zlecić naprawę w lokalnym autoryzowanym punkcie serwisowym.
Nie można zatrzymać elementu tnącego ani silnika: natychmiast wyjąć akumulator!	Usterka elektryczna lub elektroniczna.	Wyjąć akumulator i zlecić naprawę w lokalnym autoryzowanym punkcie serwisowym.

## AKCESORIA OPCJONALNE

### UWAGA:

- Zaleca się stosowanie następujących akcesoriów lub przystawek z urządzeniem opisanym w niniejszej instrukcji. Stosowanie innych akcesoriów lub przystawek grozi obrażeniami ciała. Akcesoria lub przystawki należy wykorzystywać tylko zgodnie z przeznaczeniem.

Więcej szczegółów na temat podanego wyposażenia dodatkowego można uzyskać w lokalnym punkcie serwisowym narzędzi Makita.

- Nóż
- Żyłkowa głowica tnąca
- Przystawka do cięcia żywoplotu (dotyczy modelu BBC300L, BC300LD)
- Przystawka do cięcia gałęzi (dotyczy modelu BBC300L, BC300LD)
- Przystawka glebogryzarki (dotyczy modelu BBC300L, BC300LD)
- Oryginalny akumulator i ładowarka firmy Makita

### UWAGA:

- Niektóre pozycje znajdujące się na liście mogą być dołączone do pakietu narzędziowego jako akcesoria standardowe. Mogą to być różne pozycje, w zależności od kraju.

## MAGYAR (Eredeti útmutató)

### Általános nézeti rajz magyarázata

1. Piros rész	16. Csavar	34. Szorító alátét
2. Csúszókapcsoló	17. Gomb	35. Sapka
3. Akkumulátor	18. Fogantyútartó bilincs ellendarab	36. Hatlapú anya
4. Kireteszelő gomb	19. Fogantyútartó bilincs	37. Menetes orsó
5. Kapcsolórávasz	20. Nyomórugó	38. Kar
6. Irányváltó kapcsoló	21. Védőburkolat	39. Kapocs
7. "A" helyzet - nyomja meg a normál működéshez	22. Távtartó	40. Akasztó
8. "B" helyzet - nyomja meg a gyomok és törmelék eltávolításához	23. Nyíl jel	41. Zsirónyílás
9. Sebességváltó kapcsolókar	24. Vágókés	42. Hajtóműház
10. Jelzőlámpa	25. Védőburkolat	43. Fedél
11. A leghatékonyabb vágási terület	26. Nejlon vágófej	44. Zárnyelvek
12. Töltöttség-szint-jelző lámpa	27. Védőburkolat toldat	45. Nyomja meg
13. CHECK (ELLENŐRZÉS) gomb	28. Csavar	46. Orsó
14. Markolat	29. Fül	47. Balra forgatás
15. Fogantyú	30. Két csavar	48. Hornyok
	31. Védőburkolat	49. Fülek
	32. Imbuszkulcs	50. Kiemelkedés (nem látható)
	33. Támasztó alátét	51. Fül nyílása

## MŰSZAKI ADATOK

Típus		BBC231U/BC231UD	
Fogantyú típusa		Kérékpár fogantyú	
Terhelés nélküli fordulatszám	Magas	0 - 7300 min <sup>-1</sup>	
	Alacsony	0 - 5300 min <sup>-1</sup>	
Teljes hossz		1880 mm	
Vágókés átmérője		230 mm	
Nettó tömeg		7,1 kg	
Névleges feszültség		36 V=	
Szabványos akkumulátor és töltő ⚠ Mindig a megfelelő oszlopokban megadott akkumulátor/töltő kombinációkat használja.		BL3626 DC36RA	BL3622A DC36WA

Típus		BBC300L/BC300LD	
Fogantyú típusa		Kengyel fogantyú	
Terhelés nélküli fordulatszám	Magas	0 - 6600 min <sup>-1</sup>	
	Alacsony	0 - 4900 min <sup>-1</sup>	
Teljes hossz		1850 mm	
Vágási átmérő nejlonszálas vágófejjel		300 mm	
Nettó tömeg		5,9 kg	
Névleges feszültség		36 V=	
Szabványos akkumulátor és töltő ⚠ Mindig a megfelelő oszlopokban megadott akkumulátor/töltő kombinációkat használja.		BL3626 DC36RA	BL3622A DC36WA

- A cégünknel folyó folyamatos kutatási és fejlesztési program miatt az itt megadott műszaki adatok előzetes értesítés nélkül módosulhatnak.
- A műszaki adatok és az akkumulátorház országonként változhatnak.
- Súly az akkumulátorházzal együtt, a 01/2003 EPTA eljárás szerint

Zaj	Átlagos hangnyomásszint		Vonatkozó szabvány
	Típus	$L_{PA}$ (dB (A))	
BBC231U/BC231UD	79,7	2,5	ISO22868
BBC300L/BC300LD	79,3	2,5	EN786

- Ha a hangnyomásszint fenti névleges értéke 80 dB (A) vagy kevesebb, használat közben ez meghaladhatja a 80 dB (A) értéket. Viseljen fülvédőt.

Vibráció	Bal kéz		Jobb kéz		Vonatkozó szabvány
	Típus	$a_h$ (m/s <sup>2</sup> )	Tűrés (K) (m/s <sup>2</sup> )	$a_h$ (m/s <sup>2</sup> )	
BBC231U/BC231UD	$\leq 2,5$	1,5	$\leq 2,5$	1,5	ISO22867, EN786
BBC300L/BC300LD	$\leq 2,5$	1,5	$\leq 2,5$	1,5	EN786

- EN9001-1
- A rezgés kibocsátás értéke a szabványos vizsgálati eljárásnak megfelelően lett mérve, és segítségével az elektromos kéziszerszámok összehasonlíthatók egymással.
  - A rezgés kibocsátás értékének segítségével előzetesen megbecsülhető a rezgésnek való kitettség mértéke.





### ⚠ FIGYELEM:

- A szerszám rezgés kibocsátása egy adott alkalmazásnál eltérhet a megadott értéktől a használat módjától függően.
- Határozza meg a kezelő védelmét szolgáló munkavédelmi lépéseket, melyek az adott munkafeltételek melletti vibrációs hatás becsült mértékén alapulnak (figyelembe véve a munkaciklus elemeit, mint például a gép leállításának és üresjáratának mennyiségét az elindítások száma mellett).

### Figyelmeztető ikonok END008-4

Az alábbiakban a berendezésre vonatkozó szimbólumok láthatóak. Használat előtt bizonyosodjon meg róla, hogy tisztában van a jelentésükkel.

-  ..... Legyen különösen elővigyázatos és figyelmes!
-  ..... Olvassa el a kezelési útmutatót!
-  ..... Veszély: figyeljen a gép által kidobott tárgyakra.
-  ..... A gép és a közelben tartózkodók közötti távolság legalább 15 méter legyen.
-  ..... A gép használatakor ne engedjen senkit annak közelébe.
-  ..... A közelben tartózkodók legalább 15 méter távolságra legyenek.
-  ..... Kerülje el a gép visszarugását.
-  ..... Viseljen sisakot, szem- és fülvédőt!
-  ..... Viseljen védőkesztyűt.

-  ..... Viseljen csúszásmentes talpú védőbakancsot. Acélbetétes lábbeli viselete javasolt.
-  ..... Ne tegye ki a gépet nedvességnek.
-  ..... A szerszám legmagasabb megengedett fordulatszáma.
-  ..... Csak EU-tagállamok számára  
Az elektromos berendezéseket és akkumulátorukat ne dobja a háztartási szemétkébe!  
Az elektromos és elektronikus berendezések hulladékairól szóló 2012/19/EU irányelv, illetve az elemekről és akkumulátorokról, valamint a hulladékelemekről és akkumulátorokról szóló 2006/66/EK irányelv, továbbá azoknak a nemzeti jogba való átültetése szerint az elhasznált elektromos berendezéseket és akkumulátorokat külön kell gyűjteni, és környezetbarát módon kell gondoskodni újrahazsínításukról.

### Csak európai országokra vonatkozóan ENH035-4 EK Megfelelőségi nyilatkozat

#### Mi, a Makita Corporation mint a termék felelős gyártója kijelentjük, hogy a következő Makita gép(ek):

Gép megnevezése:  
Vezeték nélküli fűnyíró  
Típus sz./ Típus: BBC231U, BC231UD  
Műszaki adatok: lásd a „MŰSZAKI ADATOK” táblázatban.

sorozatgyártásban készül és  
**megfelel a következő európai előírásoknak:**  
2000/14/EK, 2006/42/EK  
és gyártása a következő szabványoknak valamint szabványosított dokumentumoknak megfelelően történik:  
EN/ISO11806, EN60745

A műszaki dokumentációt őrzi:  
Makita International Europe Ltd.  
Technical Department,  
Michigan Drive, Tongwell,  
Milton Keynes, Bucks MK15 8JD, Anglia

A 2000/14/EK irányelv által előírt megfelelőségi értékelési eljárás az V. függelék szerint történt.

Mért hangteljesítményszint: 93,6 dB (A)

Garantált hangteljesítményszint: 95 dB (A)

2. 10. 2012



Tomoyasu Kato  
igazgató

Makita Corporation  
3-11-8, Sumiyoshi-cho,  
Anjo, Aichi, 446-8502, JAPAN

**Csak európai országokra vonatkozóan** ENH040-3  
**EK Megfelelőségi nyilatkozat**

**Mi, a Makita Corporation mint a termék felelős gyártója kijelentjük, hogy a következő Makita gép(ek):**

Gép megnevezése:

Vezeték nélküli szegélynyíró

Típus sz./ Típus: BBC300L, BC300LD

Műszaki adatok: lásd a „MŰSZAKI ADATOK”  
táblázatban.

sorozatgyártásban készül és

**megfelel a következő európai előírásoknak:**

2000/14/EK, 2006/42/EK

és gyártása a következő szabványoknak valamint  
szabványosított dokumentumoknak megfelelően történik:

EN709, EN/ISO10517, EN/ISO11680, EN/ISO11806,  
EN60745

A műszaki dokumentációt őrzi:

Makita International Europe Ltd.

Technical Department,

Michigan Drive, Tongwell,

Milton Keynes, Bucks MK15 8JD, Anglia

A 2000/14/EK irányelv által előírt megfelelőségi audit  
eljárás a VIII. függelék szerint történt.

Tanúsító testület:

TÜV Rheinland LGA Products GmbH

Tillystraße 2

90431 Nürnberg, Németország

Azonosítószám: 0197

Mért hangteljesítményszint: 91,3 dB (A)

Garantált hangteljesítményszint: 93 dB (A)

Az EK típusvizsgálat tanúsítványának száma

gallyfűrészként adapterrel:

4811008.12016

Az EK típusvizsgálatot a 2006/42/EK előírásainak

megfelelően végezte:

DEKRA Testing and Certification GmbH

Enderstraße 92b

01277 Dresden, Németország

Azonosítószám: 2140

2. 10. 2012



Tomoyasu Kato  
igazgató

Makita Corporation  
3-11-8, Sumiyoshi-cho,  
Anjo, Aichi, 446-8502, JAPAN

## FONTOS BIZTONSÁGI UTASÍTÁSOK

GEB068-3

**⚠ FIGYELEM! Minden biztonsági figyelmeztetést és utasítást olvasson el.** Amennyiben nem veszi figyelembe a figyelmeztetéseket, és nem tartja be az utasításokat, áramütés, tűz és/vagy súlyos sérülés következhet be.

**Őrizzen meg minden figyelmeztetést és utasítást a későbbi tájékozódás érdekében.**

### Rendeltetésszerű használat

1. A vezeték nélküli fűnyíró/szegélynyíró rendeltetésszerűen kizárólag fű, gyom, bozót és aljnövényzet vágására használható. A gép nem használható egyéb célokra, például szélezésre vagy sövénynyírásra, mivel ez sérüléshez vezethet.

### Általános tudnivalók

1. A gépet nem használhatják a kezelési utasításokat nem ismerő, illetve csökkent fizikai, érzékelési vagy értelmi képességű személyek (a gyerekeket is beleértve), vagy akiknek nincs meg a tapasztalatuk és tudásuk a kezeléséhez. Ügynki kell arra, hogy gyermekek ne játszhassanak a géppel.
2. Mielőtt használatba venné a gépet, olvassa el ezt a használati utasítást, és ismerkedjen meg a gép kezelésével.
3. A gépet ne adja kölcsön olyan személynek, aki nem rendelkezik a fűnyírók és szegélynyírók használatához szükséges tapasztalattal és tudással.
4. Kölcsönadáskor a géppel együtt mindig adja át ezt a használati utasítást is.
5. A géppel végzett munkák különleges figyelmet igényelnek.
6. Soha ne használja a gépet alkohol vagy kábítószer hatása alatt, illetve ha betegnek vagy fáradtnak érzi magát.
7. Soha ne alakítsa át a gépet.
8. Tartsa be a hazájában a fű- és szegélynyírók használatára vonatkozó előírásokat.

### Személyi védőfelszerelés (1. ábra)

1. Védősisak, védőszemüveg és védőkesztyű használatával óvja magát a repülő hulladékoktól és leeső tárgyaktól.
2. A halláskárosodás elkerüléséhez használjon hallásvédő eszközt, például fűvédőt.
3. A biztonságos munkavégzés érdekében viseljen megfelelő ruházatot, például munkaoverallt és csúszásmentes talpú, merev bakancsot. Ne viseljen bő ruhát vagy ékszereket. A bő ruhák, ékszerek vagy a hosszú haj beleakadhatnak a mozgó részekbe.
4. Viseljen védőkesztyűt, ha megérinti a vágókést. A vágókést a védetlen kezét súlyosan megvághatja.

### A munkaterület biztonsága

1. Csak napközben, jó látási viszonyok mellett használja a gépet. Ne működtesse a gépet sötétben vagy ködös időben.
2. Ne működtesse a gépet robbanásveszélyes környezetben, például gyúlékony folyadékok, gázok



vagy por jelenlétében. A gép szikrákat képez, amelyek lángra lobbanthatják a port vagy a gázokat.

3. Ne üzemeltesse a gépet instabil vagy csúszós felületen, illetve meredek lejtőn állva. A hideg évszakokban óvakodjon a jeges vagy havas felületektől, és ügyeljen a lábai biztos megtámasztására.
4. Üzemeltetés közben tartson minden személyt és állatot legalább 15 m távolságra a géptől. Azonnal állítsa le a gépet, ha valaki az említett távolságot nem tartja be.
5. Üzemeltetés előtt vizsgálja át a teljes munkaterületet, hogy található-e rajta kő vagy egyéb szilárd tárgy. Ezek a tárgyak veszélyes visszarúgást okozhatnak, vagy a gép felveti őket, ami súlyos sérüléssel vagy anyagi kárral járhat.
6. **▲ FIGYELEM:** A termék használata során olyan vegyi anyagokat tartalmazó por képződhet, amelyek légzési vagy egyéb betegségeket okozhatnak. Ilyen vegyi anyagok találhatóak például a rovarirtó szerekben, növényvédő szerekben, trágyákban és gyomirtó szerekben. Az ilyen anyagoknak való kitettség kockázata attól függ, hogy Ön milyen gyakran végez ilyen jellegű munkát. A kitettség csökkentése érdekében: dolgozzon jól szellőztetett helyen, és a munkavégzéshez használjon erre a célra engedélyezett munkavédelmi felszereléseket, például olyan porvédő álarcot, amelyet kifejezetten a mikroszkopikus részecskék kiszűrésére fejlesztettek ki.

#### **Az elektromos áramra és az akkumulátorra vonatkozó biztonság**

1. Ne tegye ki a gépet esőnek vagy nedves körülményeknek. A gépbe kerülő víz növeli az áramütés kockázatát.
2. Ne használja a gépet, ha a kapcsolóval nem lehet ki- és bekapcsolni. Bármely olyan gép, amely nem irányítható a kapcsoló segítségével, veszélyes és javításra szorul.
3. Akadályozza meg a gép véletlenszerű elindulását. Az akkumulátor behelyezése, illetve a gép felemelése vagy szállítása előtt ellenőrizze, hogy a kapcsoló kikapcsolt állásban van. Baleset forrása lehet, ha a gépet úgy szállítja, hogy közben az újjat a kapcsolón tartja, vagy áram alá helyezi a gépet úgy, hogy a kapcsolója bekapcsolt (on) helyzetben van.
4. Kizárólag a gyártó által meghatározott töltővel töltsen újra. Amennyiben egy adott akkumulátorhoz tartozó töltőt egy másikhoz használ, tűz ütethet ki.
5. A gépet kizárólag a meghatározott akkumulátorokkal használja. Egyéb akkumulátorok használata sérülés vagy tűz kockázatával járhat.
6. Amikor nem használja az akkumulátort, tartsa távol a fémtárgyaktól, például iratkapcsoktól, érméktől, kulcsoktól, szögektől, csavaroktól vagy egyéb olyan apró fémtárgytól, amely rövidre zárhatja a pólusok kimenetét. Az akkumulátor pólusainak rövidre zárása égési sérüléseket vagy tüzet okozhat.
7. Helytelen működtetés esetén az akkumulátor folyadékot bocsáthat ki; kerülje a vele történő érintkezést. Ha véletlenül mégis kontaktusba kerül vele, öblítse le vízzel. Amennyiben a folyadék a szembe jut, forduljon orvoshoz. Az akkumulátor által

kibocsátott folyadék irritációt vagy égési sérülést okozhat.

#### **Üzembe helyezés**

1. A gép összeszerelése vagy beállítása előtt távolítsa el az akkumulátort.
2. A vágókés kezelése előtt vegyen fel védőszemüveget.
3. Az akkumulátor behelyezése előtt ellenőrizze, hogy a gép sértetlen-e, nincsenek-e benne meglazult csavarok vagy csavaranyag, és hogy összeszerelése megfelelő-e. Élezze meg a vágókést, ha életlenné vált. Ha a vágókés elhajlott vagy sérült, cserélje ki. Ellenőrizze, hogy minden vezérlőkar és kapcsoló könnyen jár-e. Tisztítsa le és szárazítsa meg a fogantyúkat.
4. Soha ne próbálja meg bekapcsolni a gépet, ha az sérült vagy nincsen teljesen összeszerelve. Ellenkező esetben súlyosan megsérülhet.
5. A gép bekapcsolása előtt távolítson el minden állítótkulcsot és villáskulcsot. A gép valamely mozgó alkatrészéhez rögzítve hagyott villáskulcs vagy állítótkulcs személyi sérülést okozhat.
6. A vállhevedert és a fogantyút a kezelő magasságának megfelelően állítsa be.
7. Az akkumulátor behelyezésekor a vágóeszközt tartsa távol a testétől és egyéb tárgyaktól, beleértve a talajt is. Indításkor forogni kezd, és súlyos sérülést vagy anyagi kárt okozhat.

#### **Üzemeltetés**

1. Vészhelyzetben azonnal állítsa le a gépet.
2. Ha szokatlan jelenséget (pl.: zaj, vibráció) tapasztal használat közben, kapcsolja ki a gépet. Ne használja a gépet a hiba okának felismeréséig és elhárításáig.
3. A vágóeszköz a gép leállítását után rövid ideig még tovább forog. Ne nyúljon hozzá azonnal a vágóeszközhöz.
4. Üzemeltetés közben használja a vállhevedert. A gépet tartsa erősen a jobb oldalon.
5. Ne hajtjon előre túlságosan. Mindig megfelelően biztos testhelyzetben és egyensúlya megtartásával dolgozzon. Figyeljen a rejtett akadályokra, mint például facsonkokra, gyökerekre és árkokra, hogy elkerülje a megbotlást.
6. Soha ne dolgozzon létrán vagy fán állva, hogy elkerülje az egyensúlyvesztést.
7. Ha a gépet erős ütés éri, illetve leesik, a munka folytatása előtt ellenőrizze állapotát. Ellenőrizze, hogy a vezérlőelemek és biztonsági eszközök helyesen működnek-e. Ha bármilyen sérülést észlel, vagy felmerül annak gyanúja, ellenőrzésért és javításért forduljon a hivatalos szervizközpontunkhoz.
8. Ne érintse meg a hajtóműházat. Üzem közben a hajtóműház felforrósodhat.
9. Tartson pihenőt, nehogy elfáradjon, és emiatt elveszítsé uralmát a gép felett. Célszerű óránként 10–20 perc pihenőt tartani.
10. Ha a gépet akárcsak rövid időre is magára hagyja, távolítsa el az akkumulátort. A magára hagyott gépet, amelyből nem távolította el az akkumulátort illetéktelen személyek használhatják, és súlyos balesetet okozhatnak.
11. Ha fű vagy ágak ragadnak a vágóeszköz és a védőburkolat közé, mielőtt kitisztítaná a gépet, mindig kapcsolja ki azt és távolítsa el az akkumulátort.

Ellenkező esetben a vágóeszköz még foroghat, és súlyos sérülést okozhat.

12. Ha vágóeszköz kövekbe vagy egyéb kemény tárgyakra ütközik, azonnal kapcsolja ki a gépet. Távolítsa el az akkumulátort, és ellenőrizze a vágóeszközt.
13. Használat közben rendszeresen ellenőrizze, hogy a vágóeszközön nincs-e repedés, sérülés. Az ellenőrzés előtt távolítsa el az akkumulátort, és várja meg, amíg a vágóeszköz teljesen megáll. A sérült vágóeszközt azonnal cserélje ki, még akkor is, ha a sérülés csak a felületét érinti.
14. Soha ne végezzen vágást derékmagasság felett.
15. A vágási művelet megkezdése előtt várja meg, amíg a vágóeszköz fordulatszámra a bekapcsolás után egy bizonyos fordulatszámra stabilizálódik.
16. Ha fém vágókéseket használ, lendítse a szerszámot egyenletesen, félkör alakban jobbról balra, mintha kaszálna.

### Vágóeszközök

1. Mindig az adott munkához megfelelő vágóeszközt használjon.
  - A nejlón vágófejek (szegélynyíró fejek) gyep nyírására szolgálnak.
  - A fém vágókések gyom, magas fű, sövény, bokor, aljnövényzet, cserjék és hasonló vágására alkalmasak.
  - Soha ne használjon más késeket, fém, többrészes csuklósláncokat vagy lengőkéseket. Súlyos sérüléseket okozhatnak.
2. Mindig a vágóeszköznek teljesen megfelelő védőburkolatot használjon.
3. Fém vágókések használatakor mindent tegyen meg a „visszarúgás” elkerülésére, mégis készüljön fel arra, hogy a gép véletlenül visszarúghat. Lásd a „Visszarúgás” című szakaszt.

### Visszarúgás (a kés lököreje)

1. A visszarúgás (a kés lököreje) a meg- vagy beszorult vágókés hirtelen reakciója. Ha ez bekövetkezik, a gép nagy erővel oldalra vagy kezelő felé vágódik, ami súlyos sérüléssel is járhat.
2. Visszarúgásra elsősorban akkor kell számítani, ha a 12 és 2 órának megfelelő pontok közötti késszakaszt használja 3 cm vagy annál nagyobb vastagságú szilárd anyagokhoz, bozóthoz vagy fához. (2. ábra)
3. A visszarúgás megelőzése:
  - A 8 és 11 óra közötti részt használja.
  - Sose használja a 12 és 2 óra közötti részt.
  - Sose használja a 11 és 12 óra, valamint a 2 és 5 óra közötti részt, hacsak nem jól képzett és tapasztalt kezelő, és a saját felelősségére használja a készüléket.
  - Sose használja a vágókéseket szilárd anyagok, például kerítések, falak, fatörzsek és kövek közelében.
  - Sose használja a vágókéseket függőlegesen olyan műveletekhez, mint például sövények nyírása és szélezése. (3. ábra)

### Vibráció

1. A keringési rendellenességben szenvedő emberek véredényei vagy idegrendszere a túlzott mértékű rezgés hatására megsérülhetnek. A vibráció a következő tünetek megjelenését okozhatja az

ujjakban, a kézben vagy a csuklóban: Álmoság (zsibbadtság), bizsergő érzés, fájdalom, szűró fájdalomérzet, a bőr- vagy annak színének elváltozása. Ha ezen tünetek bármelyikét észleli önmagán, forduljon orvoshoz!

2. A „fehér ujj betegség” kockázatának csökkentése érdekében, tartsa melegen kezzeit a üzemeletetés alatt, és tartsa karban a gépet és tartozékait.

### Szállítás

1. A gép szállítása előtt kapcsolja ki azt, és távolítsa el az akkumulátort. Szerelje fel a vágókésre a burkolatot.
2. A gépet vízszintes helyzetben, a nyelénél fogva szállítsa.
3. Ha a gépet járműben szállítja, szilárdan rögzítse, hogy menet közben ne billenjen fel. Ellenkező esetben a gép és egyéb szállítmányok is megsérülhetnek.

### Karbantartás

1. A gépet hivatalos szervizközpontban szervizeltesse, és kizárólag eredeti cserealkatrészeket használjon. A helytelen javítás vagy nem megfelelő karbantartás lecsökkentheti a gép élettartamát és megnöveli a balesetek kockázatát.
2. A gép karbantartása, javítása vagy tisztítása előtt kapcsolja ki azt, és távolítsa el az akkumulátort.
3. A vágókések kezelésekor mindig viseljen védőkesztyűt.
4. A gépről mindig takarítsa le a port és a szennyeződést. Erre a célra soha ne használjon gázolajat, benzint, hígítót, alkoholt vagy hasonló anyagokat. Ezek a műanyag alkatrészek elszíneződésést, alakvesztését vagy repedését okozhatják.
5. Minden használat után húzzon meg minden csavart és anyát.
6. Ne próbálkozzon olyan karbantartási vagy javítási műveletekkel, amelyeket a használati utasítás nem tartalmaz. Az ilyen műveletek elvégzéséért forduljon a kijelölt szervizünkhöz.
7. Csak eredeti pótalkatrészeket és tartozékokat használjon. Más szállítótól származó alkatrészek és tartozékok használata a gép meghibásodását, anyagi kárt és/vagy súlyos sérülést eredményezhet.
8. Forduljon a hivatalos szervizünkhöz a gép rendszeres időközönként történő átvizsgálása és karbantartása érdekében.

### Tárolás

1. A gép tárolása előtt végezzen átfogó tisztítást és karbantartást. Távolítsa el az akkumulátort. Szerelje fel a vágókésre a burkolatot.
2. A gépet száraz helyen, magasan vagy elzártan tárolja, hogy gyerekek ne férjenek hozzá.
3. A gépet ne tárolja falnak vagy bármilyen másnak döntve. Ebből a helyzetből váratlanul eldőlhethet, és sérülést okozhat.

### Elsősegély

1. Az elsősegélydoboznak mindig elérhető közelségben kell lennie. Az elsősegélydobozból kivett eszközöket azonnal pótolni kell.
2. Ha segítséget kell hívní, az alábbiakat közölje:
  - A baleset helyszíne
  - Mi történt
  - A sérült személyek száma

- A sérülés természete
- Az Ön neve

## ŐRIZZE MEG EZT AZ ÚTMUTATÓT.

### FIGYELEM:

A munkát NE a (termék többszöri használatából fakadó) kényelem vagy megszokás szerint végezze a termékre vonatkozó biztonsági rendszabályok szigorú betartása helyett. A HELYTELEN HASZNÁLAT vagy a jelen használati utasításban ismertetett biztonsági rendszabályok be nem tartása komoly személyi sérüléshez vezethet.

## FONTOS BIZTONSÁGI UTASÍTÁSOK

ENC007-7

## AZ AKKUMULÁTORRA VONATKOZÓAN

1. Az akkumulátor használata előtt tanulmányozza át az utasításokat, valamint az (1) akkumulátortöltőn, (2) akkumulátoron és (3) akkumulátort használó terméken feltüntetett figyelmeztető jelzéseket.
2. Ne szerelje szét az akkumulátort.
3. Ha a működési idő nagyon lerövidült, azonnal hagyja abba a használatot. Ez a túlmelegedés, esetleges égési sérülések és akár robbanás veszélyével is járhat.
4. Ha elektrolit kerül a szemébe, mossa ki azt tiszta vízzel és azonnal keressen orvosi segítséget. Ez a látásának elvesztését okozhatja.
5. Ne zárja rövidre az akkumulátort:
  - (1) Ne érjen az érintkezőkhöz elektromosan vezető anyagokkal.
  - (2) Ne tárolja az akkumulátort más fémtárgyakkal, mint pl. szegekkel, érmékkel stb. egy helyen.
  - (3) Ne tegye ki az akkumulátort víznek vagy esőnek!

Az akkumulátor rövidzárlata nagy áramerősséget, túlmelegedést, égéseket, sőt akár meghibásodást is okozhat.
6. Ne tárolja a szerszámot vagy az akkumulátort olyan helyeken, ahol a hőmérséklet elérheti vagy meghaladhatja az 50 °C (122 °F) értéket.
7. Ne égesse el az akkumulátort még akkor sem, ha az komolyan megsérült vagy teljesen elhasználódott. Az akkumulátor a tűzben felrobbanhat.
8. Vigyázzon, nehogy leejtse vagy megüsse az akkumulátort.
9. Ne használjon sérült akkumulátort.

## ŐRIZZE MEG EZT AZ ÚTMUTATÓT.

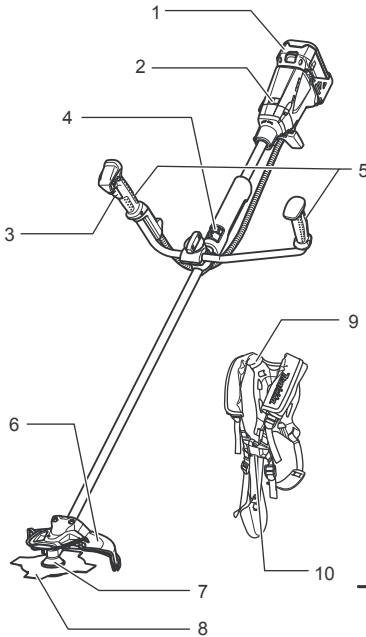
### Tipppek a maximális élettartam eléréséhez

1. Még a teljes lemerülés előtt töltsen újra az akkumulátort.

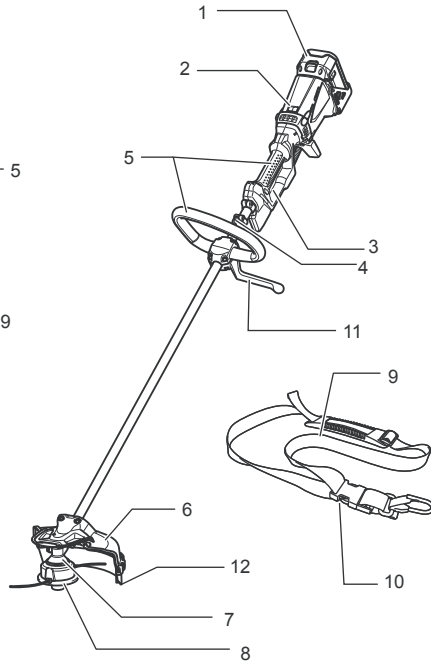
- Mindig hagyja abba a gép használatát, és töltsen fel az akkumulátort, ha a gép gyengülését észleli.
2. A teljesen feltöltött akkumulátort ne töltsen újra. A túltöltés az akkumulátor élettartamának csökkenéséhez vezet.
3. Az akkumulátort szobahőmérsékleten, azaz 10°C - 40°C-on (50°F - 104°F) töltsen. Hagyja, hogy a forró akkumulátor lehűljön, mielőtt elkezdje tölteni.
4. Töltsen fel az akkumulátort hathavonta egyszer, ha nem használja az eszközt hosszabb ideig.

# ALKATRÉSZEK LEÍRÁSA

BBC231U / BC231UD



BBC300L / BC300LD



1	Akkumulátor	7	Hajtóműház
2	Jelzőlámpa	8	Vágószerszám
3	Kapcsolórávasz	9	Vállheveder
4	Akaszító (függesztőpont)	10	Kapocs
5	Markolat	11	Fogantyú túske
6	Védőburkolat (vágóeszköz védőburkolata)	12	Védőburkolat toldat

013124

## MŰKÖDÉSI LEÍRÁS

### ⚠ FIGYELEM:

- Minden esetben ellenőrizze, hogy a szerszám ki van-e kapcsolva és az akkumulátorcsomagot eltávolította-e, mielőtt beállítja vagy ellenőrzi a szerszám működését. A szerszám kikapcsolásának és az akkumulátor eltávolításának elmulasztása súlyos személyi sérüléshez vezethet a szerszám véletlen elindulása esetén.

### Az akkumulátor behelyezése és eltávolítása (4. ábra)

#### ⚠ VIGYÁZAT:

- Mindig kapcsolja ki az eszközt, mielőtt behelyezi vagy eltávolítja az akkumulátort.
- Az akkumulátor behelyezésekor erősen fogja meg a szerszámot és az akkumulátort. Ha nem fogja erősen a szerszámot és az akkumulátort, azok kicsúszhatnak a kezei közül,

ami a szerszám és az akkumulátor károsodásához, de akár személyi sérüléshez is vezethet.

Az akkumulátor eltávolításához csúsztassa azt ki a szerszámból az akkumulátor elején lévő gomb elcsúsztatásával.

Az akkumulátor behelyezéséhez illessze az akkumulátor nyelvét a gépház burkolatán található horonyhoz és csúsztassa a helyére. Egészen addig tolja be, amíg egy kis kattánással a helyére nem ugrik. Ha látható a piros rész a gomb felső oldalán, akkor a gomb nem kattant be teljesen.

#### ⚠ VIGYÁZAT:

- Mindig tolja be teljesen az akkumulátort, amíg a piros rész el nem tűnik. Ha ez nem történik meg, akkor az akkumulátor kieshet a szerszámból, és Önnek vagy a környezetében másnak sérülést okozhat.
- Ne erőltesse az akkumulátort behelyezésre. Ha az akkumulátor nem csúszik be könnyedén, akkor nem megfelelően lett behelyezve.

## Indító kapcsoló működése

### FIGYELEM:

- Mielőtt behelyezi az akkumulátorcsomagot a gépbe, mindig ellenőrizze, hogy a kapcsoló ravasza hibátlanul működjön, és az "OFF" állásba ugorjon, ha felengedi. Ne húzza túlzott erővel a kioldókapcsolót úgy, hogy nem nyomta be a kireteszelő gombot. Ez a kapcsoló törését okozhatja. A hibás kapcsolóval működő gép fölött a kezelő elveszítheti az uralmat, és a gép súlyos személyi sérülést okozhat. (5. és 6. ábra)

A ravasz véletlen meghúzásának elkerülésére egy reteszelő gomb van felszerelve. A szerszám bekapcsolásához nyomja be a kireteszelőgombot, és húzza meg a ravaszt. A gép fordulatszáma nő, ahogy egyre jobban húzza a ravaszt. Leállításához engedje el a ravaszt.

## Irányváltó kapcsoló a törmelék eltávolításához (7. és 8. ábra)

A szerszám irányváltó kapcsolóval rendelkezik, melynek segítségével csak annak érdekében lehet megváltoztatni a forgás irányát, hogy a késre tekeredett gyomot és törmeléket eltávolítsa. A szerszám szokásos működtetéséhez a kapcsoló „A” oldalát kell benyomni. A forgófejbe került gyomok és törmelék eltávolításához a kés forgásiránya a kapcsoló „B” oldalának benyomásával fordítható meg. Az üzemi forgásiránnyal ellentétes forgással a szerszám csak egy rövid ideig tud működni, majd automatikusan leáll.

### FIGYELEM:

- Mindig győződjön meg arról, hogy a gép ki van-e kapcsolva, és az akkumulátorcsomagot kivette-e, mielőtt olyan feltekeredett gyomot vagy

törmelékdarabot próbál meg eltávolítani a vágószerszámról, melyet az irányváltó kapcsoló segítségével nem sikerült eltávolítani. A szerszám kikapcsolásának és az akkumulátor eltávolításának elmulasztása súlyos személyi sérüléshez vezethet a szerszám véletlen elindulása esetén.

### MEGJEGYZÉS:

- A bekapcsolás előtt mindig ellenőrizze a beállított forgásirányt.
- Az irányváltó kapcsolót csak azután használja, hogy a szerszám teljesen megállt. Amennyiben a forgásirányt a gép megállása előtt változtatja meg, a gép megsérülhet.



## Fordulatszám kiválasztása (9. és 10. ábra)

A fordulatszámváltó kapcsolóval két fordulatszám-tartomány választható ki előre.

A sebességváltó kar „1”-es helyzetbe kapcsolása a szerszámot alacsony fordulatszámra állítja, a „2”-es helyzetben pedig magas fordulatszámon működteti.

## Akkumulátor/motor védőrendszer

Az akkumulátorcsomag és a szerszám olyan védőfelszereléssel van ellátva, amely automatikusan csökkenti vagy lekapcsolja az áramot olyan túlterheléses helyzetekben, amelyek a szerszámban vagy az akkumulátorcsomagban kárt okozhatnak. Ha a szerszám túlterhelt állapotba kerül, de nem áll le, egy olyan védelem lép működésbe, amely csökkenti a fordulatszámot, hogy óvja a motort. Ebben az esetben az alábbi táblázatban leírt két kijelző lámpa nem világít, illetve nem villog. Minden más védelmi funkció beazonosítható az alábbi táblázatban a kijelző lámpák leírása alapján. (11. ábra)

		Állapot	Teendő
-	Villogó lámpa	Az akkumulátor kimerülően van.	Cserélje le az akkumulátort egy teljesen feltöltöttre.
-	Világítás Be	Az akkumulátor-védelem kikapcsolta a tápfeszültséget – az akkumulátor lemerült.	Cserélje le az akkumulátort egy teljesen feltöltöttre.
Villogó lámpa	-	A túlterhelésgátló kikapcsolta a tápfeszültséget – a motor lezárt.	Engedje fel a ravaszt, és szüntesse meg a motor lezárásának vagy túlterhelésének okát. Amennyiben a vágóeszközt a rácsavarodott gyomok vagy hasonló tárgyak okozták, annak tisztítása előtt mindig vegye ki az akkumulátort a gépből.
Világítás Be	-	A túlmelegedés elleni védelem lekapcsolta a tápfeszültséget – túlmelegedés.	Pihentesse a gépet egy ideig.
Villogó lámpa	Villogó lámpa	Elektromos vagy elektronikai hiba	Javításért forduljon a kijelölt helyi szervizhez.

## Nejlonszálás vágófeje (külön rendelhető tartozék a vágópengével felszerelt termékhez)

### MEGJEGYZÉS:

- Ne kísérelje meg ütogetni a fejet, amíg a szerszám magas fordulatszámra működik. A magas fordulatszámra végzett ütogetéses adagolás károsodáshoz vezethet a nejlon vágófejben.
- Az ütogetéses adagolás álló fej esetében nem működik megfelelően. (12. ábra)

A nejlonszálás vágófeje kétszálás, ütogetésre nejlonszálat adagoló mechanizmusból áll. A nejlonszál adagolásához ütogetse a talajhoz a nejlon vágófejet alacsony fordulatszámra működés közben. A nejlonszálat adagolás közben a védőburkolat toldatán elhelyezett vágókés automatikusan a megfelelő hosszúságra vágja.

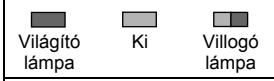





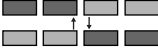
### MEGJEGYZÉS:

Ha a nejlonszál adagolása a fej ütogetésére nem történik meg, a „Karbantartás” című részben leírt módon tekerje fel/cserélje ki a nejlonszálat.

## Akkumulátor töltöttségjelző (csak a BL3622A akkumulátorral rendelkező típusok esetén)

A BL3622A akkumulátor töltöttségjelzővel felszerelt. (13. ábra)

Nyomja meg a CHECK (ELLENŐRZÉS) gombot az akkumulátor töltöttség szintjének megjelenítéséhez. Ezután a töltöttségjelző lámpák kb. három másodpercig világítanak.

Töltöttségjelző lámpa	Töltöttség szint
	
E  F	70%-tól 100%-ig
	45%-tól 70%-ig
	20%-tól 45%-ig
	0%-tól 20%-ig
	Töltse fel az akkumulátort.
	Lehetséges, hogy az akkumulátor meghibásodott.

011713

- Ha csak a legelső töltöttségjelző lámpa (az „E” mellett) világít, illetve ha egyik töltöttségjelző lámpa sem világít, az akkumulátor lemerült, az eszköz nem működtethető. Ilyen esetekben töltse fel az akkumulátort, vagy cserélje ki a lemerült akkumulátort egy teljesen feltöltött akkumulátorral.
- Ha két vagy több töltöttségjelző lámpa a feltöltés után sem világít, az akkumulátor elérte az élettartamának végét.
- Ha a felső két és az alsó két töltöttségjelző lámpa felváltva világít, lehetséges, hogy az akkumulátor

meghibásodott. Lépjen kapcsolatba a helyi hivatalos Makita szervizközponttal.

### MEGJEGYZÉS:

- Lehetséges, hogy a jelezett töltöttségi szint alacsonyabb a tényleges töltöttségi szintnél az eszköz használat során, illetve közvetlenül a használat után.
- Az adott munkafelületektől és a környezeti hőmérsékletétől függően a jelezett töltöttségi szint némileg eltérhet a tényleges töltöttségi szinttől.

## ÖSSZESZERELÉS

### ⚠ FIGYELEM:

- **Minden esetben ellenőrizze, hogy a gép ki van-e kapcsolva és az akkumulátorcsomagot eltávolította-e, mielőtt bármilyen szerelést végez a szerszámon.** A szerszám kikapcsolásának és az akkumulátor eltávolításának elmulasztása súlyos személyi sérüléshez vezethet a szerszám véletlen elindulás esetén.
- **A gépet csak teljesen összeszerelve indítsa be.** A csak részben összeszerelt gép működtetése súlyos személyi sérüléshez vezethet a gép véletlen elindulásakor.

## A fogantyú felszerelése

### BBC231U, BC231UD típushoz

Illessze a fogantyú tengelyét a markolatba az ábra szerint. Igazítsa össze a markolaton található furatot a tengelyen található furattal. Húzza meg biztonságosan a csavart. (14. ábra)

Lazítsa fel a rögzítő gombot.

Helyezze a kerékpár markolatú csövet a tartóbilincs és ellendarabja közé.

Állítsa be a markolatot egy kényelmes munkaszögbe, majd kézzel erősen szorítsa meg a rögzítő gombot. (15. ábra)

### BBC300L, BC300LD típushoz (16. ábra)

Szerelje fel a védőburkolatot és a markolatot a csőtengelyre a négy csavarral. Győződjön meg arról, hogy a markolat/védőburkolat összeállítás a távtartó és a nyíl jel közötti részre illeszkedik.

Pozícionálja a védőburkolatot a szerszám bal oldalára.

Húzza meg a négy csavart, hogy a markolat/védőburkolat összeállítás ne mozduljon vagy forduljon el a csőtengelyen.

### ⚠ VIGYÁZAT:

- **Ne távolítsa el vagy zsugorítsa a távtartót.** A távtartó egy bizonyos távolságot tart a két kéz között. Ha a markolat/védőburkolat összeállítást közele állítja a másik markolathoz a távtartó hosszán túl, akkor az irányíthatatlanságot eredményezhet, ami súlyos személyi sérüléssel járhat.

## A védőborítás felszerelése (17. és 18. ábra)

### ⚠ VIGYÁZAT:

- **A gépet sohasem használja az ábrán látható védőburkolat nélkül.** Ennek elmulasztása súlyos személyi sérüléshez vezethet.





**személyek felé dőljön.** Ennek elmulasztása súlyos sérüléshez vezethet.

### Az akasztó helyzetének és a vállheveder beállítása

Ha tartozékok cserél, a szerszám súlypontja megváltozhat. Ilyen esetben állítsa be az akasztó helyzetét és a vállheveder hosszát az alábbi módon. Az akasztó helyzetének beállításához lazítsa meg az akasztót rögzítő csavart a mellékelt kulccsal, majd helyezze át az akasztót és a párnát. A párna helyzete elcsavarva könnyen módosítható. Állítsa be úgy az akasztó helyzetét és a vállheveder hosszát, hogy:

- az akasztó legalább 750 mm távolságra legyen a talajtól,
- a vágószerszám 100 mm és 300 mm közötti távolságra legyen a talajtól, és
- a vágószerszám szabadon levő része vízszintesen minimum 750 mm távolságra legyen az akasztótól. (30. ábra)

Az akasztó helyzetének beállítása után húzza meg biztonságosan az akasztót rögzítő csavart.

## A szerszám megfelelő kezelése (BBC300L, BC300LD)

### Helyes tartás

#### ⚠ FIGYELEM:

- **A gépet mindig úgy tegye a teste jobb oldalára, hogy a fogantyú tüske mindig Ön előtt legyen.** A szerszám megfelelő tartása maximális uralmat biztosít, és csökkenti a visszarúgás okozta súlyos személyi sérülés kockázatát.

Az ábra alapján a vállszíjat tegye a bal vállára úgy, hogy azon átbújta a fejét és jobb karját, majd a gépet tartsa a teste jobb oldalán, miközben a fogantyú tuskét mindig maga előtt tartja. (31. ábra)

### A vállszijsz csatlakoztatása (32. ábra)

A vállszijsz felhelyezése után összekapcsolható a géppel oly módon, hogy a rajtuk található csatokat egymásba csatolja. Ügyeljen arra, hogy a csatok a helyükre kattanjanak, és megfelelően zárjanak.

### A vállszijs lecsatolása (33. ábra)

A csat gyorskioldóval van ellátva, amely egyszerűen az oldal megnyomásával kioldható.

#### ⚠ FIGYELEM:

- **Legyen különösen óvatos ekkor, nehogy elveszítse a gép fölötti uralmat. Ne hagyja, hogy a gép maga felé vagy a munkavégzés közelében tartózkodó személyek felé dőljön.** A gép fölötti uralom elvesztése a kezelő és a közelben tartózkodó személyek súlyos sérülését okozhatja.

### Az akasztó helyzetének és a vállheveder beállítása

Ha tartozékok cserél, a szerszám súlypontja megváltozhat. Ilyen esetben állítsa be az akasztó helyzetét és a vállheveder hosszát az alábbi módon. Az akasztó helyzetének beállításához lazítsa meg az akasztót rögzítő csavart a mellékelt kulccsal, majd helyezze át az akasztót. Állítsa be úgy az akasztó helyzetét és a vállheveder hosszát, hogy:

- az akasztó legalább 750 mm távolságra legyen a talajtól,

- a vágószerszám maximum 300 mm távolságra legyen a talajtól, és
- a vágószerszám szabadon levő része vízszintesen minimum 750 mm távolságra legyen az akasztótól. (34. ábra)

Az akasztó helyzetének beállítása után húzza meg biztonságosan az akasztót rögzítő csavart.

## KARBANTARTÁS

#### ⚠ FIGYELEM:

- **Minden esetben ellenőrizze, hogy a gép ki legyen kapcsolva és az akkumulátorcsomagot eltávolította, mielőtt átvizsgálja a szerszámot vagy annak karbantartását végzi.** A szerszám kikapcsolásának és az akkumulátor eltávolításának elmulasztása súlyos személyi sérüléshez vezethet a szerszám véletlen elindulása esetén.

#### MEGJEGYZÉS:

- Soha ne használjon gázolajat, benzint, hígítót, alkoholt vagy hasonló anyagokat. Ezek elszíneződést, alakvesztést vagy repedést okozhatnak.

### A hajtóműház zsírzása (35. ábra)

Minden 30 üzemóránként töltsön (Shell Alvania 2 vagy azzal egyenértékű) kenőzsírt a hajtóműházba a zsírzónyíláson át. (Eredeti Makita kenőzsír a Makita forgalmazótól szerezhető be.)

### A nejlonszal cseréje

#### ⚠ FIGYELEM:

- **Minden esetben ellenőrizze, hogy a gép ki legyen kapcsolva és az akkumulátorcsomagot eltávolította, mielőtt átvizsgálja a szerszámot vagy annak karbantartását végzi.** A szerszám kikapcsolásának és az akkumulátorcsomag eltávolításának elmulasztása súlyos személyi sérüléshez vezethet a szerszám véletlen elindulása esetén.
- **Ellenőrizze, hogy a nejlonszal vágófeje burkolata megfelelően hozzá van-e erősítve a házhoz az alábbiak szerint.** A burkolat megfelelő hozzáerősítésének elmulasztása következtében a nejlonszal vágófeje elrepülhet, amely súlyos személyi sérülést okozhat. (36. ábra)

A burkolat eltávolításához nyomja befelé a házon lévő zárónyelveket, majd emelje fel a burkolatot. A felesleges nejlonszalakat dobja el. (37. ábra)

Az új nejlonszal közepét akassza be az orsó közepén lévő bevágásba a nejlonszal számára fenntartott 2 vajat között. A nejlonszal egyik vége kb. 80 mm-rel legyen hosszabb a másikonál.

Tekerje mindkét véget erősen az orsó köré a fejen jelölt balra mutató iránynak megfelelően, ahol az irányt az LH rövidítés jelzi. (38. ábra)

Tekerje fel az egész szálát egy kb. 100 mm-es darabot kivéve úgy, hogy a végeket ideiglenesen beakasztja az orsó szélén lévő bevágásba. (39. ábra)

Szerelje fel az orsót a házra úgy, hogy az orsón lévő hornyok és kiemelkedések illeszkedjenek a házon lévőkhöz. Az orsó feliratos oldala nézzen felfelé, hogy látható legyen. Most akassza ki a szál végeit az



ideiglenes helyükről, és vezesse át a szájakat a nyílásokon, hogy kijöjjenek a házból. **(40. ábra)**  
A fedél alján lévő kiemelkedést igazítsa a nyílások homyaihoz. Ezután a rögzítéshez erősen nyomja rá a házra a fedelet. Ügyeljen arra, hogy a zármylevek teljesen beugorjanak a helyükre a házban.

A termék BIZTONSÁGÁNAK és MEGBÍZHATÓSÁGÁNAK fenntartása érdekében a javításokat és más karbantartásokat vagy beállításokat a

Makita hivatalos szervizközpontjában kell elvégezni, mindig csak Makita cserealkatrészek felhasználásával.

## HIBAELHÁRÍTÁS

Mielőtt a szervizhez fordulna, először végezzen saját maga is átvizsgálást. Ha olyan problémát talál, amire a kézikönyv nem tartalmaz magyarázatot, ne próbálja meg szétszedni a permetezőt. Ehelyett kérjen tanácsot a Makita hivatalos szervizközpontjától, és javításhoz mindig Makita cserealkatrészeket használjon.

Hibajelenség	Ok	Teendő
A motor nem működik.	Az akkumulátor nincs a gépben.	Helyezze a gépbe az akkumulátort.
	Akkumulátor probléma (alacsony a feszültség)	Töltse fel az akkumulátort. Ha az újratöltés nem elég hatékony, cserélje ki az akkumulátort.
	A meghajtó rendszer nem működik megfelelően.	Javításért forduljon a kijelölt helyi szervizhez.
A motor rövid használat után leáll.	Ellentétes irányú forgás van beállítva.	Az irányváltó kapcsolóval módosítsa a forgásirányt.
	Az akkumulátor töltési szintje alacsony.	Töltse fel az akkumulátort. Ha az újratöltés nem elég hatékony, cserélje ki az akkumulátort.
	Túlmelegedés	Hagyja abba a gép használatát, hogy az lehűljön.
A gép nem éri el a maximális fordulatszámot.	Az akkumulátort helytelenül szerelték be.	Az akkumulátort az útmutató szerint szerelje be.
	Az akkumulátor feszültsége leesik.	Töltse fel az akkumulátort. Ha az újratöltés nem elég hatékony, cserélje ki az akkumulátort.
	A meghajtó rendszer nem működik megfelelően.	Javításért forduljon a kijelölt helyi szervizhez.
A vágókés nem forog: haladéktalanul állítsa le a gépet!	Idegen tárgy, például faág szorult a védőburkolat és a nejlonszál as vágófej vagy a vágókés közé.	Távolítsa el az idegen tárgyat.
	A vágókésen a rögzítőanya lelazult.	A csavaranyát húzza meg a kézikönyvben leírt módon.
	A vágókés elhajlott.	Cserélje ki a vágókést.
	A meghajtó rendszer nem működik megfelelően.	Javításért forduljon a kijelölt helyi szervizhez.
A gép rendellenesen rezeg: haladéktalanul állítsa le a gépet!	Az egyik nejlonszál eltört, és a fej nincs egyensúlyban.	A nejlonszál adagolásához ütögesse a talajhoz a nejlon vágófejet működés közben.
	A vágókés elhajlott, repedt vagy elhasználódott.	Cserélje ki a vágókést.
	A vágókésen a rögzítőanya lelazult.	A csavaranyát húzza meg a kézikönyvben leírt módon.
	A vágókés nincs megfelelően megszorítva.	A csavaranyát húzza meg a kézikönyvben leírt módon.
A vágószerző és a motor nem áll le: Haladéktalanul vegye ki az akkumulátort!	A meghajtó rendszer nem működik megfelelően.	Javításért forduljon a kijelölt helyi szervizhez.
	Elektromos vagy elektronikai hiba.	Vegye ki az akkumulátort, és javításért forduljon a kijelölt helyi szervizhez.

# OPCIONÁLIS KIEGÉSZÍTŐK

## FIGYELEM:

- Ezeket a kiegészítőket és tartozékokat javasoljuk a kézikönyvben ismertetett Makita gépéhez. Bármilyen más kiegészítő vagy tartozék használata a személyi sérülés kockázatával jár. A kiegészítőt vagy tartozékot csak a rendeltetésszerűen használja.

Ha segítségre vagy további részletekre van szüksége a tartozékokkal kapcsolatban, akkor kérjen segítséget a helyi Makita szervizközponttól.

- Vágókés
- Nejlon vágófej
- Sövénynyíró adapter (BBC300L, BC300LD modellhez)
- Gallyfűrész adapter (BBC300L, BC300LD modellhez)
- Kultivátor adapter (BBC300L, BC300LD modellhez)
- Eredeti Makita akkumulátor és töltő

## MEGJEGYZÉS:

- A listán felsorolt néhány kiegészítő megtalálható az eszköz csomagolásában standard kiegészítőként. Ezek országonként eltérőek lehetnek.

# ROMÂNĂ (Instrucțiuni originale)

## Explicația vederii generale

- |  |  |                                      |
|--|--|--------------------------------------|
| 1. Indicator roșu  | 16. Șurub                              | 35. Cupă                             |
| 2. Buton glisant   | 17. Buton rotativ                      | 36. Piuliță hexagonală               |
| 3. Cartuș de acumulatori   | 18. Clemă mâner                        | 37. Fus filetat                      |
| 4. Buton de deblocare  | 19. Suport mâner                       | 38. Pârghie                          |
| 5. Buton declanșator   | 20. Arc de compresiune                 | 39. Cataramă                         |
| 6. Comutator de inversare  | 21. Piedică                            | 40. Agățătoare                       |
| 7. Apăsător în poziția A pentru operare normală                        | 22. Distanțier                         | 41. Orificiu pentru unsoare          |
| 8. Apăsător în poziția B pentru îndepărtarea resturilor și buruienilor | 23. Marcaj săgeată                     | 42. Carcasă angrenaj                 |
| 9. Manetă comutator de schimbare a vitezei                             | 24. Lama de tăiere                     | 43. Capac                            |
| 10. Lampă indicatoare  | 25. Dispozitiv de protecție            | 44. Zăvoare                          |
| 11. Cea mai eficientă zonă de tăiere                                   | 26. Cap de tăiere din nylon            | 45. Presă                            |
| 12. Lămpi indicatoare  | 27. Extensie dispozitiv de protecție   | 46. Bobină                           |
| 13. Buton CHECK (Verificare)   | 28. Bolț                               | 47. Pentru rotire spre partea stângă |
| 14. Mâner de prindere  | 29. Parte laterală a șurubului-fluture | 48. Crestături                       |
| 15. Mâner  | 30. Două șuruburi                      | 49. Urechii                          |
|  | 31. Capac protector                    | 50. Proeminență (Nu este prezentată) |
|  | 32. Cheie hexagonală                   | 51. Canalul urechii                  |
|  | 33. Șaibă receptor                     |                                      |
|  | 34. Șaibă clemă                        |                                      |

## SPECIFICAȚII

Model		BBC231U/BC231UD	
Timpul mânerului		Mâner curbat	
Turație în gol	Rapid	0 - 7.300 min <sup>-1</sup>	
	Scăzut	0 - 5.300 min <sup>-1</sup>	
Lungime totală		1.880 mm	
Diametru lamă de tăiere		230 mm	
Greutate netă		7,1 kg	
Tensiune nominală		36 V cc.	
Cartuș de acumulator standard și încărcător ⚠ Mențineți întotdeauna combinațiile de acumulator/încărcător pe coloanele corecte.		BL3626 DC36RA	BL3622A DC36WA

Model		BBC300L/BC300LD	
Timpul mânerului		Mâner cotit	
Turație în gol	Rapid	0 - 6.600 min <sup>-1</sup>	
	Scăzut	0 - 4.900 min <sup>-1</sup>	
Lungime totală		1.850 mm	
Diametru de tăiere cu cap de tăiere din nylon		300 mm	
Greutate netă		5,9 kg	
Tensiune nominală		36 V cc.	
Cartuș de acumulator standard și încărcător ⚠ Mențineți întotdeauna combinațiile de acumulator/încărcător pe coloanele corecte.		BL3626 DC36RA	BL3622A DC36WA

- Datorită programului nostru continuu de cercetare și dezvoltare, specificațiile din prezentul document pot fi modificate fără o notificare prealabilă.
- Specificațiile și ansamblul acumulatorului pot diferi de la țară la țară.
- Greutatea, cu cartușul acumulatorului, conform procedurii EPTA 01/2003

Zgomot	Media nivelului de presiune acustică		Standard aplicabil
Model	$L_{PA}$ (dB (A))	Eroare de măsurare K (dB(A))	
BBC231U/BC231UD	79,7	2,5	ISO22868
BBC300L/BC300LD	79,3	2,5	EN786

- Chiar dacă nivelul de presiune acustică menționat mai sus este de 80 dB (A) sau mai puțin, nivelul în timpul funcționării poate depăși 80 dB (A). Purtați echipament de protecție pentru urechi.

Vibrații	Stânga		Dreapta		Standard aplicabil
	$a_h$ (m/s <sup>2</sup> )	Eroare de măsurare K (m/s <sup>2</sup> )	$a_h$ (m/s <sup>2</sup> )	Eroare de măsurare K (m/s <sup>2</sup> )	
BBC231U/BC231UD	≤ 2,5	1,5	≤ 2,5	1,5	ISO22867, EN786
BBC300L/BC300LD	≤ 2,5	1,5	≤ 2,5	1,5	EN786

ENG901-1

- Nivelul de vibrații declarat a fost măsurat în conformitate cu metoda de test standard și poate fi utilizat pentru compararea unei uneelte cu alta.
- Nivelul de vibrații declarat poate fi, de asemenea, utilizat într-o evaluare preliminară a expunerii.




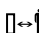






#### **AVERTISMENT:**

- Nivelul de vibrații în timpul utilizării reale a uneeltei electrice poate diferi de valoarea nivelului declarat, în funcție de modul în care unealta este utilizată.
- Asigurați-vă că identificați măsurile de siguranță pentru a proteja operatorul, acestea fiind bazate pe o estimare a expunerii în condiții reale de utilizare (luând în considerare toate părțile ciclului de operare, precum timpii în care unealta a fost oprită, sau a funcționat în gol, pe lângă timpul de declanșare).

#### **Simboluri**

END008-4

Veți găsi în continuare simbolurile folosite pentru echipament. Asigurați-vă că ați înțeles semnificația acestora înainte de utilizare.

-  ..... Acordați grijă și atenție specială.
-  ..... Citiți manualul de utilizare.
-  ..... Pericol; acordați atenție obiectelor proiectate.
-  ..... Distanța dintre mașină și persoanele aflate în zonă trebuie să fie de cel puțin 15 m.
-  ..... Instruiți persoanele aflate în zonă să păstreze distanța.
-  ..... Păstrați o distanță de cel puțin 15 m.
-  ..... Evitați reculul.
-  ..... Purtați cască de protecție, ochelari și protecție urechii!
-  ..... Purtați mănuși de protecție.
-  ..... Purtați cizme robuste cu talpă antiderapantă. Sunt recomandate

cizmele de siguranță cu bombeuri din oțel.



..... Nu expuneți la umezeală.



..... Turație maximă permisă a sculei.



..... Doar pentru țările din cadrul UE  
Nu aruncați aparatele electrice sau acumulatele în gunoii menajeri!  
În conformitate cu directiva europeană 2012/19/UE privind deșeurile de echipamente electrice și electronice și directiva 2006/66/CE privind bateriile și acumulatele, precum și bateriile și acumulatele reziduale și implementarea acestora conform legislației naționale, echipamentele electrice și acumulatele care au ajuns la sfârșitul duratei de viață trebuie colectate separat și reciclate corespunzător în vederea protejării mediului.

#### **Pentru țări europene, doar Declarație de conformitate CE**

ENH035-4

#### **Noi, Makita Corporation, ca producător responsabil, declaram că următoarea(le) unealtă(e) Makita:**

Denumirea utilajului:  
Motocoasă pentru tufişuri fără cablu  
Nr. model/Tip: BBC231U, BC231UD  
Specificații: consultați tabelul "SPECIFICAȚII".  
sunt produse de serie și

#### **sunt în conformitate cu următoarele Directive Europene:**

2000/14/CE, 2006/42/CE  
Și sunt fabricate în conformitate cu următoarele standarde sau documente standardizate:

EN/ISO11806, EN60745

Documentația tehnică este păstrată de:

Makita International Europe Ltd.  
Technical Department,  
Michigan Drive, Tongwell,  
Milton Keynes, Bucks MK15 8JD, Anglia

Procedura de evaluare a conformității prevăzută de Directiva 2000/14/CE a fost în concordanță cu anexa V. Nivel putere acustică măsurată: 93,6 dB (A) Nivel putere acustică garantată: 95 dB (A)

2. 10. 2012



Tomoyasu Kato  
Director  
Makita Corporation  
3-11-8, Sumiyoshi-cho,  
Anjo, Aichi, 446-8502, JAPAN

**Pentru țări europene, doar** ENH040-3  
**Declarație de conformitate CE**

**Noi, Makita Corporation, ca producător responsabil, declarăm că următoarea(le) unealtă(e) Makita:**

Denumirea utilajului:  
Motocoasă cu fir fără cablu  
Nr. model/Tip: BBC300L, BC300LD  
Specificații: consultați tabelul "SPECIFICAȚII".

sunt produse de serie și  
**sunt în conformitate cu următoarele Directive**

**Europene:**

2000/14/CE, 2006/42/CE

Și sunt fabricate în conformitate cu următoarele standarde sau documente standardizate:

EN709, EN/ISO10517, EN/ISO11680, EN/ISO11806, EN60745

Documentația tehnică este păstrată de:

Makita International Europe Ltd.  
Technical Department,  
Michigan Drive, Tongwell,  
Milton Keynes, Bucks MK15 8JD, Anglia

Procedura de evaluare a conformității cerută de Directiva 2000/14/CE s-a efectuat în conformitate cu anexa VIII.

Organism notificat:

TÜV Rheinland LGA Products GmbH  
Tillystraße 2  
90431 Nürnberg, Germania  
Număr de identificare 0197  
Nivel putere acustică măsurată: 91,3 dB (A)  
Nivel putere acustică garantată: 93 dB (A)

Numărul certificatului de examinare de tip CE ca ferăstrău sau dispozitiv de atașare pentru ferăstrău este:

4811008.12016

Examinarea de tip CE conform 2006/42/CE a fost efectuată de:

DEKRA Testing and Certification GmbH  
Enderstraße 92b  
01277 Dresden, Germania  
Nr. de identificare 2140

2. 10. 2012



Tomoyasu Kato  
Director  
Makita Corporation  
3-11-8, Sumiyoshi-cho,  
Anjo, Aichi, 446-8502, JAPAN

## INSTRUCȚIUNI DE SIGURANȚĂ IMPORTANTE

GEB068-3

**⚠️ AVERTISMENT! Citiți toate avertismentele de siguranță și toate instrucțiunile.** Dacă nu respectați toate avertismentele și instrucțiunile de mai jos, există riscul electrocutării, incendiului și/sau al accidentării grave.

**Păstrați toate avertismentele și instrucțiunile pentru consultări ulterioare.**

### Destinația de utilizare

1. Motocoasa pentru tufișuri fără cablu/motocoasa cu fir este destinată tăierii ierbii, buruienilor, tufișurilor și arbuștilor. Nu trebuie utilizată în alte scopuri, cum ar fi tăierea șirurilor de tufișuri, deoarece pot apărea accidente.

### Instrucțiuni generale

1. Nu permiteți persoanelor care nu sunt familiarizate cu aceste instrucțiuni, persoanelor (inclusiv copii) cu capacități fizice, senzoriale sau mentale reduse, sau lipsă de cunoștințe în utilizarea mașinii. Copiii trebuie supravegheați pentru a vă asigura că nu se joacă cu mașina.
2. Înainte de a porni mașina, citiți acest manual de instrucțiuni pentru a vă familiariza cu manipularea mașinii.
3. Nu împrumutați mașina unei persoane cu experiență sau cunoștințe insuficiente cu privire la manevrarea motocoaselor pentru tufișuri și motocoaselor cu fir.
4. Când împrumutați mașina, împrumutați-o întotdeauna împreună cu acest manual de instrucțiuni.
5. Manevrați mașina cu cea mai mare grijă și atenție.
6. Este interzis să utilizați mașina după consumul de alcool sau droguri, sau dacă sunteți obosit sau bolnav.
7. Nu încercați niciodată să modificați mașina.
8. Respectați reglementările privind manevrarea motocoaselor pentru tufișuri și motocoaselor cu fir din țara dumneavoastră.

### Echipament personal de protecție (Fig. 1)

1. Purtați cască de protecție, ochelari și mănuși de protecție pentru a vă proteja împotriva resturilor proiectate sau obiectelor căzătoare.
2. Purtați protecție pentru urechi, precum amortizoare pentru urechi, pentru a evita pierderea auzului.
3. Purtați îmbrăcăminte și încălțăminte corespunzătoare pentru operarea în siguranță, precum o salopetă de lucru și încălțăminte rezistentă, cu talpă antiderapantă. Nu purtați îmbrăcăminte prea largă sau bijuterii. Hainele prea largi, bijuteriile și părul lung se pot prinde în piesele mobile.
4. Purtați mănuși de protecție când atingeți lama de tăiere. Lamele de tăiere pot cauza tăieturi grave dacă nu purtați mănuși de protecție.

### Siguranța zonei de lucru

1. Operați mașina doar în condiții bune de vizibilitate și pe timp de zi. Nu operați mașina pe întuneric sau în condiții de ceață.
2. Nu utilizați mașina în medii explozive, cum ar fi în prezența lichidelor, gazelor sau pulberilor inflamabile. Mașina provoacă scântei ce pot aprinde pulberea sau vaporii.

3. În timpul operării, nu stați pe o suprafață instabilă sau alunecoasă sau pe o pantă abruptă. În timpul sezonului rece, feriți-vă de gheață și zăpadă și asigurați-vă întotdeauna o poziție stabilă.
4. În timpul operării, țineți mașina la o distanță de cel puțin 15 m de persoanele din jur sau animale. Opriti mașina atunci când o persoană se apropie de dumneavoastră.
5. Înainte de operare, verificați dacă în zona de lucru există pietre sau alte obiecte solide. Acestea ar putea fi aruncate sau pot cauza reculuri periculoase, având ca rezultat accidentări grave și/sau pagube materiale.
6. **⚠️ AVERTISMENT:** Utilizarea acestui produs poate crea praf ce conține substanțe chimice care pot cauza boli respiratorii sau de altă natură. Câteva exemple de substanțe chimice sunt compuii ce se găsesc în pesticide, insecticide, îngrășăminte și erbicide. Riscurile la care sunteți expus în acest caz variază, în funcție de frecvența cu care executați acest tip de lucrare. Pentru a reduce expunerea la aceste chimicale: lucrați într-un spațiu bine ventilat și cu un echipament de protecție omologat, cum ar fi acele măști de protecție a respirației care sunt special concepute pentru a filtra particulele microscopice.

#### **Siguranța electrică și a acumulatorului**

1. Nu expuneți mașina la ploaie sau în condiții de umiditate. Dacă intră apă în mașină, riscul electrocutării este mai mare.
2. Nu folosiți mașina dacă nu o puteți porni sau opri de la întrerupător. Orice mașină care nu poate fi acționată de la întrerupător este periculoasă și trebuie reparată.
3. Preveniți punerea accidentală în funcțiune. Asigurați-vă că întrerupătorul se află în poziția de oprit înainte de a instala acumulatorul, de a ridica sau a transporta mașina. Transportarea mașinii ținând degetul pe întrerupător sau alimentarea acesteia cu întrerupătorul pornit poate duce la accidentări.
4. Reîncărcați folosind doar încărcătorul specificat de producător. Un încărcător potrivit pentru un tip de acumulator poate provoca riscul incendierii dacă este folosit pentru un alt tip de acumulator.
5. Folosiți mașina doar cu acumulatorii indicați în mod specific. Folosirea altor tipuri de acumulatori poate provoca accidentări sau incendii.
6. Când nu folosiți acumulatorul, țineți-l la distanță de obiecte metalice precum agrafe de birou, monede, chei, cuie, șuruburi sau alte obiecte metalice mici, ce pot constitui o legătură între cele două borne. Scurtcircuitarea bornelor cartușului de acumulatori poate produce arsuri sau incendii.
7. În condiții necorespunzătoare de utilizare, se poate prelinge lichid din cartușul de acumulatori; evitați contactul cu acesta. Dacă intrați în contact accidental, clătiți bine cu apă zona afectată. Dacă v-a intrat lichid în ochi, consultați medicul. Lichidul expulzat din acumulator poate cauza iritații sau arsuri.

#### **Punerea în funcțiune**

1. Înainte de asamblarea sau reglarea mașinii, scoateți cartușul de acumulator.
2. Purtați mănuși de protecție atunci când manipulați lama de tăiere.
3. Înainte de a instala cartușul de acumulator, verificați dacă mașina prezintă deteriorări, șuruburi/piulițe

- slăbite sau asamblare necorespunzătoare. Ascultați lamele de tăiere tocite. Dacă lama de tăiere este îndoită sau deteriorată, înlocuiți-o. Verificați dacă toate părțile de control și comutatoarele funcționează ușor. Curățați și uscați mânerul.
4. Nu încercați să porniți mașina dacă este defectă sau nu este asamblată în întregime. În caz contrar, există pericolul de accidentări grave.
5. Scoateți orice cheie de reglaj sau cheie de piulițe înainte de a porni mașina. O cheie de piulițe sau o altă cheie rămasă prinsă de o componentă rotativă a mașinii poate duce la rănirea personală.
6. Reglați centura de umăr și mânerul astfel încât să corespundă dimensiunii corpului operatorului.
7. Când porniți motorul sau introduceți cartușul de acumulator, țineți accesoriul de tăiere departe de corpul dumneavoastră și de alte obiecte, inclusiv la distanță de sol. Acesta se poate roti în momentul pornirii, cauzând răni grave sau deteriorarea mașinii și/sau a proprietății.

#### **Operare**

1. În cazul unei urgențe, opriti mașina imediat.
2. Dacă întâmpinați condiții neobișnuite (de ex. zgomote, vibrații) în timpul operării, opriti mașina. Nu utilizați mașina până la identificarea și soluționarea cauzei.
3. Accesoriul de tăiere continuă să se rotească o scurtă perioadă de timp după oprirea mașinii. Nu vă grăbiți să puneți mâna pe accesoriul de tăiere.
4. În timpul operării, utilizați centura de umăr. Țineți ferm mașina în dreapta dumneavoastră.
5. Nu vă întindeți excesiv. Mențineți-vă permanent echilibrul și sprijiniți-vă ferm pe picioare. Feriți-vă de obstacole ascunse precum cioturi de copaci, rădăcini și șanțuri pentru a nu vă împiedica.
6. Nu lucrați niciodată pe o scară sau în copac, pentru a evita pierderea controlului.
7. Dacă mașina suferă un impact puternic sau o cădere, verificați starea acesteia înainte de a continua lucrul. Verificați dacă dispozitivele de comandă și siguranță prezintă defecțiuni. Dacă există semne de deteriorări sau aveți dubii, contactați centrul nostru de service autorizat pentru inspecție și reparații.
8. Nu atingeți carcasa angrenajului. Carcasa angrenajului se încinge în timpul operării.
9. Odihniți-vă pentru a preveni pierderea controlului din cauza oboselei. Vă recomandăm să luați o pauză de 10-20 de minute la fiecare oră.
10. Când lăsați mașina nesupravegheată, chiar și pentru o perioadă scurtă, înlăturați întotdeauna cartușul de acumulator. Mașina nesupravegheată cu cartușul de acumulator instalat poate fi utilizată de persoane neautorizate și poate cauza accidente grave.
11. În cazul în care iarba sau crengile sunt prinse între accesoriul de tăiere și apărătoare, opriti întotdeauna mașina și scoateți cartușul de acumulator înainte de curățare. În caz contrar, accesoriul de tăiere se poate roti accidental și poate cauza accidentări grave.
12. În cazul în care accesoriul de tăiere lovește pietre sau alte obiecte dure, opriti imediat mașina. Apoi, scoateți cartușul de acumulator și verificați accesoriul de tăiere.
13. Verificați frecvent accesoriul de tăiere în timpul operării pentru a depista eventuale fisuri sau deteriorări. Înainte de inspecție, scoateți cartușul de

acumulator și așteptați până când accesoriul de tăiere se oprește definitiv. Înlocuiți imediat accesoriul de tăiere deteriorat, chiar dacă prezintă doar fisuri superficiale.

14. Nu tăiați niciodată deasupra nivelului taliei.
15. Înainte de a începe operația de tăiere, așteptați ca accesoriul de tăiere să atingă o viteză constantă după pornirea mașinii.
16. Atunci când utilizați lame metalice, balansați mașina uniform în semicercuri de la dreapta la stânga, similar cu utilizarea unei coase.

#### Accesoriile de tăiere

1. Utilizați un accesoriu de tăiere corespunzător pentru lucrarea în curs.
  - Capetele de tăiere din nylon (capete de motocoașă cu fir) sunt adecvate pentru tunderea gazonului.
  - Lamele metalice sunt adecvate pentru tăierea buruienilor, ierbii înalte, tufșurilor, lăstărișului, subarboretului, hățșului etc.
  - Nu utilizați niciodată alte lame, inclusive lanțuri rotative metalice din mai multe componente și lame de îmblăciu. Acest lucru ar putea cauza vătămări grave.
2. Utilizați întotdeauna apărătoarea accesoriului de tăiere adecvată pentru accesoriul de tăiere folosit.
3. Atunci când utilizați lame metalice, evitați "reculul" și pregătiți-vă întotdeauna pentru un recul accidental. Consultați secțiunea "Recul".

#### Recul (Șoc lamă)

1. Reculul (șoc lamă) reprezintă o reacție bruscă în cazul unei lame de tăiere prinse sau blocate. Dacă acesta apare, mașina este aruncată în lateral sau în direcția operatorului cu o forță mare și poate cauza accidentări grave.
2. Reculul apare îndeosebi când tăiați într-un unghi al lamei ce corespunde unghiului format de ora 12 cu ora 2 pe cadranul unui ceas materiale dure, tufșuri mari și arbori cu diametrul de 3 cm sau mai mare. **(Fig. 2)**
3. Pentru a evita reculul:
  - Aplicați într-un unghi ce corespunde unghiului format de ora 8 cu ora 11 pe cadranul unui ceas.
  - Nu aplicați niciodată într-un unghi ce corespunde unghiului format de ora 12 cu ora 2 pe cadranul unui ceas.
  - Nu aplicați niciodată într-un unghi ce corespunde unghiurilor formate de ora 11 cu ora 12 și de ora 2 cu ora 5 pe cadranul unui ceas, decât dacă operatorul este bine instruit și experimentat și efectuează operația pe propriul risc.
  - Nu utilizați niciodată lamele de tăiere în apropierea materialelor dure precum garduri, pereți, trunchiuri de copaci și pietre.
  - Nu utilizați niciodată lamele de tăiere vertical pentru operații precum bordurarea sau tunderea gardurilor vii. **(Fig. 3)**

#### Vibrații

1. Persoanele cu probleme circulatorii expuse la vibrații excesive pot suferi leziuni ale vaselor sanguine sau ale sistemului nervos. Vibrațiile pot provoca următoarele simptome la nivelul degetelor, mâinilor sau articulațiilor mâinilor: "amorțeală" (insensibilitate), furnicăături, durere, înțepături, modificarea culorii sau

texturii pielii. Dacă apare oricare dintre aceste simptome, consultați un medic!

2. Pentru a reduce riscul apariției "sindromului degetelor albe", păstrați-vă mâinile calde în timpul utilizării și întrețineți în mod corect echipamentul și accesoriile.

#### Transport

1. Înainte de transport, opriți mașina și scoateți cartușul de acumulator. Atașați capacul la lama de tăiere.
2. Când transportați mașina, deplasați-o în poziție orizontală, ținând de arbore.
3. Când transportați mașina într-un vehicul, fixați-o corespunzător pentru a evita răsturnarea. În caz contrar, pot apărea defecțiuni ale mașinii sau a altor bagaje.

#### Întreținere

1. Service-ul mașinii trebuie efectuat la centrul nostru de service autorizat, folosind întotdeauna piese de schimb originale. Reparațiile incorecte sau o întreținere inadecvată pot scurta durata de viață a mașinii și mări riscul accidentărilor.
2. Înainte de a efectua lucrări de întreținere sau reparații sau de a curăța mașina, opriți-o întotdeauna și scoateți cartușul de acumulator.
3. Purtați întotdeauna mănuși de protecție când manevrați lama de tăiere.
4. Curățați întotdeauna praful și murdăria de pe mașină. Nu utilizați niciodată gazolină, benzină, diluant, alcool sau alte substanțe asemănătoare în acest scop. În caz contrar, pot rezulta decolorări, deformări sau fisuri ale componentelor din plastic.
5. După fiecare utilizare, strângeți toate șuruburile și piulițele.
6. Nu încercați să efectuați nicio operațiune de întreținere sau reparații care nu sunt descrise în manualul de instrucțiuni. Contactați centrul de service autorizat pentru astfel de lucrări.
7. Utilizați întotdeauna numai piesele de schimb și accesoriile noastre originale. Utilizarea de piese de schimb sau accesorii furnizate de un terț ar putea avea ca rezultat avarierea mașinii, daune și/sau accidente grave.
8. Solicitați centrului de service autorizat să inspecteze și să întrețină mașina la intervale regulate.

#### Depozitare

1. Înainte de depozitarea mașinii, efectuați curățarea și întreținerea completă. Scoateți cartușul de acumulator. Atașați capacul la lama de tăiere.
2. Depozitați mașina într-un loc uscat, la înălțime sau încuiată astfel încât copiii să nu aibă acces.
3. Nu sprijiniți mașina pe ceva, cum ar fi un perete. În caz contrar, aceasta poate cădea cauzând accidentări.

#### Primul ajutor

1. Țineți întotdeauna o trusă de prim ajutor la îndemână. Înlocuiți imediat orice element folosit din trusa de prim ajutor.
2. Când solicitați ajutor, oferiți următoarele informații:
  - Locul accidentului
  - Ce s-a întâmplat
  - Numărul de persoane rănite
  - Natura accidentului
  - Numele dumneavoastră

## PĂSTRAȚI ACESTE INSTRUCȚIUNI.

### AVERTISMENT:

NU lăsați confortul sau familiarizarea cu produsul (obținute în urma utilizărilor repetate) să înlocuiască respectarea strictă a regulilor de siguranță pentru acest produs. UTILIZAREA GREȘITĂ sau nerespectarea regulilor de securitate din acest manual poate conduce la accidentări grave.

## INSTRUCȚIUNI DE SIGURANȚĂ IMPORTANTE

ENC007-7

## PENTRU CARTUȘUL DE ACUMULATORI

1. Înainte de a folosi cartușul acumulatorului, citiți toate instrucțiunile și avertismentele de pe (1) încărcător, (2) acumulator și (3) produsul ce folosește acumulatorul.
2. Nu dezasamblați cartușul de acumulatori.
3. Dacă timpul de funcționare s-a redus excesiv, întrerupeți imediat funcționarea. Aceasta poate prezenta risc de supraîncălzire, posibile arsuri și chiar explozie.
4. Dacă electrolitul pătrunde în ochi, clătiți bine ochii cu apă curată și consultați imediat un medic. Acest fapt poate avea ca rezultat pierderea vederii.
5. Nu scurtcircuitați cartușul de acumulator:
  - (1) Nu atingeți bornele cu niciun material conductor.
  - (2) Evitați depozitarea cartușului de acumulator într-un recipient împreună cu alte obiecte metalice, cum ar fi cuie, monede etc.
  - (3) Nu expuneți cartușul de acumulator la apă sau ploaie.

Un scurtcircuit al cartușului de acumulatori poate provoca un curent electric puternic, supraîncălzire, posibile arsuri și chiar defectarea mașinii.

6. Nu depozitați mașina și cartușul de acumulatori în spații în care temperatura poate atinge sau depăși 50°C (122°F).
7. Nu incinerați cartușul de acumulator, chiar dacă acesta este grav deteriorat sau complet uzat. În foc, cartușul de acumulator poate exploda.
8. Aveți grijă să nu scăpați pe jos sau să loviți cartușul de acumulator.
9. Nu utilizați un acumulator deteriorat.

## PĂSTRAȚI ACESTE INSTRUCȚIUNI.

### Sfaturi pentru obținerea unei durate maxime de exploatare a acumulatorului

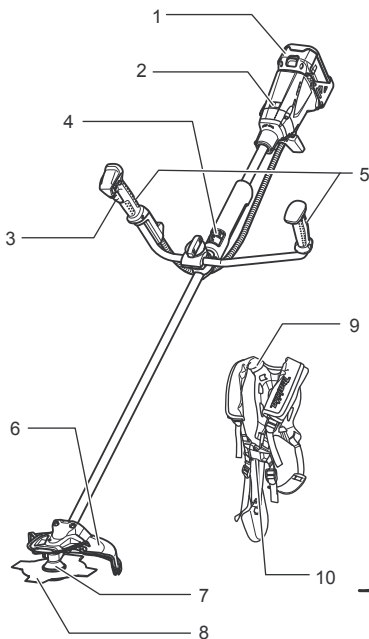
1. Încărcați cartușul acumulatorului înainte de descărcarea completă.  
Opriți întotdeauna operarea uneltei și încărcați cartușul acumulatorului când observați o reducere a puterii uneltei.

2. Nu reîncărcați niciodată un cartuș de acumulator complet încărcat.  
Supraîncărcarea scurtează durata de viață a cartușului de acumulator.
3. Încărcați cartușul acumulatorului la o temperatură a camerei cuprinsă între 10°C - 40°C (50°F - 104°F).  
Lăsați un acumulator fierbinte să se răcească înainte de a-l încărca.
4. Încărcați cartușul acumulatorului o dată la șase luni dacă nu îl utilizați pentru o perioadă lungă de timp.

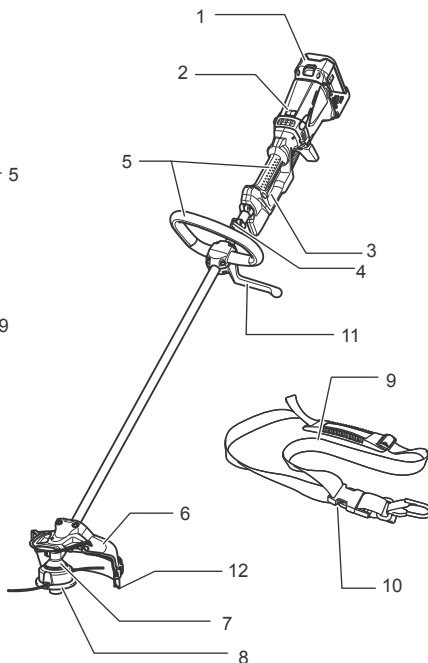


## DESCRIERI COMPONENTE

BBC231U / BC231UD



BBC300L / BC300LD



1	Cartuș de acumulatori	7	Carcasă angrenaj
2	Lampă indicatoare	8	Sculă de tăiere
3	Buton declanșator	9	Centură de umăr
4	Cârlig (punct de suspensie)	10	Cataramă
5	Mâner de prindere	11	Barieră
6	Dispozitiv de protecție (apărătoare accesoriu de tăiere)	12	Extensie dispozitiv de protecție

013124

## DESCRIERE FUNCȚIONALĂ

### ⚠️ AVERTISMENT:

- **Asigurați-vă întotdeauna că mașina este oprită și cartușul de acumulatori este scos înainte de a ajusta sau verifica funcționarea mașinii.** În caz contrar, pot rezulta accidentări personale grave în urma pornirii accidentale a mașinii.

### Instalarea sau scoaterea cartușului de acumulatori (Fig. 4)

#### ⚠️ ATENȚIE:

- Opriți întotdeauna unealta înainte de montarea sau demontarea cartușului de acumulator.
- **Țineți ferm unealta și cartușul acumulatorului la montarea sau demontarea cartușului de acumulator.** În caz contrar, acestea pot aluneca din mâinile dumneavoastră, cauzând defectarea unelei și cartușului de acumulator și accidentări.

Pentru a scoate cartușul acumulatorului, extrageți-l prin glisare din unealtă în timp ce glisați butonul de pe partea frontală a cartușului.

Pentru a monta cartușul acumulatorului, aliniați limba de pe cartușul acumulatorului la canelura din carcasă și introduceți-l în locaș. Introduceți-l complet, până când se înclichetează în locaș. Dacă puteți vedea indicatorul roșu din partea superioară a butonului, acesta nu este blocat complet.

#### ⚠️ ATENȚIE:

- Instalați întotdeauna cartușul acumulatorului complet, până când indicatorul roșu nu mai este vizibil. În caz contrar, acesta poate cădea accidental din unealtă provocând rănirea dumneavoastră sau a persoanelor din jur.
- Nu forțați cartușul de acumulator la montare. Dacă acesta nu glisează ușor, înseamnă că a fost introdus incorect.

## Acționare întrerupător de alimentare

### AVERTISMENT:

- Înainte de a introduce cartușul acumulatorului în mașină, verificați întotdeauna dacă butonul declanșator funcționează corect și revine în poziția "OFF" (oprit) când este eliberat. Nu apăsați puternic butonul declanșator fără a apăsa butonul de deblocare. Comutatorul se poate rupe. Operarea sculei cu un buton declanșator care nu acționează corect poate duce la pierderea controlului și la accidente grave. (Fig. 5 și 6)

Pentru a preveni acționarea accidentală a butonului declanșator, este prevăzut un buton de deblocare. Pentru a porni mașina, apăsați butonul de deblocare și apăsați butonul declanșator. Viteza uneltei poate fi crescută prin creșterea forței de apăsare a butonului declanșator. Eliberați butonul declanșator pentru a opri mașina.

## Comutator de inversare pentru îndepărtarea resturilor (Fig. 7 și 8)

Această mașină dispune de un comutator de inversare care are rolul doar de a schimba direcția de rotație astfel încât să poată fi utilizat pentru îndepărtarea buruienilor și resturilor prinse în mașină. Pentru operarea normală a mașinii, trebuie să apăsați pe partea "A" a comutatorului. Pentru a îndepărta buruienile și resturile blocate în capul rotativ, mașina poate fi întoarsă invers prin apăsarea părții "B" a comutatorului. În poziția inversă, mașina va opera doar pentru o scurtă perioadă de timp și se va opri automat.

### AVERTISMENT:

- Asigurați-vă întotdeauna că mașina este oprită, iar cartușul de acumulator este scos înainte de

îndepărtarea buruienilor și resturilor prinse în mașină care nu pot fi îndepărtate prin operare în mod invers. În caz contrar, pot rezulta accidente grave personale în urma pornirii accidentale a mașinii.

### NOTĂ:

- Verificați întotdeauna sensul de rotație înainte de utilizare.
- Folosiți comutatorul de inversare numai după ce mașina s-a oprit complet. Schimbarea sensului de rotație înainte de oprirea mașinii poate avaria mașina.



## Comutare viteză (Fig. 9 și 10)

Cu butonul rotativ de schimbare a turației pot fi preselecțate două domenii de viteză. Prin acționarea manetei de comutator de schimbare a vitezei în poziția "1", mașina va fi setată în gama de viteză redusă, iar prin acționare în poziția "2", mașina va fi setată în gama de viteză ridicată.

## Sistemul de protecție a acumulatorului/motorului

Cartușul de acumulator și mașina sunt prevăzute cu dispozitive de protecție care vor reduce automat sau vor întrerupe alimentarea mașinii când apar situații de supraîncărcare care ar putea defecta mașina sau cartușul de acumulator. Dacă mașina se supraîncarcă fără a se bloca, este prevăzut un dispozitiv de protecție care reduce rotațiile pentru a proteja motorul. În acest caz, cele două lămpi indicatoare descrise în tabelul de mai jos nu luminează sau se aprind intermitent.

Toate celelalte funcții de protecție pot fi identificate de luminile indicatoare descrise în tabelul de mai jos. (Fig. 11)

		Stare	Acțiune necesară
-	Iluminare intermitentă	Puterea acumulatorului este aproape consumată.	Înlocuiți acumulatorul cu unul complet încărcat.
-	Iluminare continuă	Dispozitivul de protecție acumulator oprește alimentarea - acumulatorul este epuizat.	Înlocuiți acumulatorul cu unul complet încărcat.
Iluminare intermitentă	-	Dispozitivul de protecție la suprasarcină oprește alimentarea - motorul a fost blocat.	Eliberați butonul declanșator și îndepărtați cauza blocării motorului sau suprasarcinii. Dacă unealta de tăiere este blocată de acumularea buruienilor sau alte materiale asemănătoare, îndepărtați întotdeauna cartușul de acumulator înainte de curățare.
Iluminare continuă	-	Dispozitivul de protecție la supraîncălzire oprește alimentarea - supraîncălzire.	Lăsați echipamentul în repaus pentru un interval de timp.
Iluminare intermitentă	Iluminare intermitentă	Defecțiuni electrică sau electronică	Solicitați centrului de service local efectuarea reparațiilor.

## Cap de tăiere din nylon (accesoriu opțional pentru un produs livrat cu o lamă de tăiere)

### NOTĂ:

- Nu încercați să alimentați prin lovire capul de tăiere în timp ce mașina operează la o turație ridicată. Alimentarea prin lovire la o turație ridicată poate duce la defectarea capului de tăiere din nylon.
- Alimentarea prin lovire nu va opera corect în cazul în care capul nu se rotește. (Fig. 12)

Capul de tăiere din nylon este un cap de motocoasă cu fir dublu, cu mecanisme de alimentare și percutare. Pentru eliberarea cablului din nylon, capul de tăiere trebuie lovit de sol în timpul rotirii la turație redusă. Pe măsură ce cablul din nylon este eliberat, acesta va fi tăiat automat la lungimea corectă de dispozitivele de tăiere de pe extensia de protecție.








### NOTĂ:

În cazul în care cablul din nylon nu este eliberat prin lovire, înfășurați/înlocuiți cablul din nylon urmând procedurile descrise în "Întreținere".

## Indicator de capacitate rămasă a acumulatorului (doar pentru modele cu acumulator BL3622A)

Acumulatorul BL3622A este prevăzut cu un indicator de capacitate rămasă a acumulatorului. (Fig. 13)

Apăsați butonul CHECK (Verificare) pentru indicarea capacității rămase a acumulatorului. Lămpile indicatorului vor lumina apoi timp de aproximativ trei secunde.

Lămpi indicatoare	Capacitate rămasă
 Iluminată      Stinsă      Iluminare intermitentă	
E  F	între 70% și 100%
	între 45% și 70%
	între 20% și 45%
	între 0% și 20%
	Încărcați acumulatorul.
	Este posibil ca acumulatorul să fie defect.

011713

- Când luminează intermitent doar lampa inferioară a indicatorului (de lângă "E") sau atunci când nu luminează nicio lampă a indicatorului, capacitatea acumulatorului este consumată total, deci mașina nu va funcționa. În aceste cazuri, încărcați acumulatorul sau înlocuiți acumulatorul gol cu unul complet încărcat.
- Când două sau mai multe lămpi ale indicatorului nu luminează nici chiar după finalizarea încărcării, acumulatorul a ajuns la sfârșitul duratei de viață.
- Când cele două lămpi superioare și cele două lămpi inferioare ale indicatorului luminează alternativ, este

posibil ca acumulatorul să fie defect. Vă rugăm să contactați centrul local de service autorizat Makita.

### NOTĂ:

- Capacitatea indicată poate fi mai redusă decât nivelul real în timpul utilizării sau imediat după utilizarea mașinii.
- În funcție de condițiile de utilizare și temperatura ambientală, indicația poate fi ușor diferită de capacitatea reală.

## ASAMBLARE

### ⚠️ AVERTISMENT:

- Asigurați-vă întotdeauna că mașina este oprită și cartușul acumulatorului este scos înainte de a executa orice lucrări la mașină.** În caz contrar, pot rezulta accidentări personale grave în urma pornirii accidentale a mașinii.
- Nu porniți niciodată mașina dacă aceasta nu este complet asamblată.** Operarea mașinii într-o stare de asamblare parțială poate duce la accidentări personale grave cauzate de pornirea accidentală.

## Instalarea mânerului

### Pentru model BBC231U, BC231UD

Introduceți axul mânerului în mânerul de prindere, în modul indicat. Aliniați orificiul pentru șurub din mânerul de prindere cu orificiul din ax. Strângeți ferm șurubul.

### (Fig. 14)

Slăbiți butonul.

Amplasați mânerul între cleva de mâner și suportul de mâner.

Reglați mânerul la un unghi care asigură o poziție de lucru confortabilă și apoi fixați strângând ferm cu mâna butonul rotativ. (Fig. 15)

### Pentru model BBC300L, BC300LD (Fig. 16)

Montați piedica și mânerul de prindere pe conducta de ax cu patru șuruburi. Asigurați-vă că ansamblul mâner de prindere/piedică este montat între distanțier și marcajul săgeată.

Poziționați piedica în partea stângă a mașinii. Apoi strângeți cele patru șuruburi astfel încât ansamblul mâner de prindere/piedică să nu se poată deplasa sau roti pe conducta de ax.

### ⚠️ AVERTISMENT:

- Nu demontați și nu reduceți dimensiunea distanțierului.** Distanțierul menține o anumită distanță între ambele mâini. Poziționarea ansamblului de mâner de prindere / piedică în apropierea celuiilalt mâner de prindere, dincolo de lungimea distanțierului poate duce la pierderea controlului și accidentări grave.

## Montați protecția (Fig. 17 și 18)

### ⚠️ AVERTISMENT:

- Nu utilizați niciodată mașina fără a monta apărătoarea ilustrată.** În caz contrar există pericol de accidentări corporale grave.

### ⚠️ ATENȚIE:

- La montarea extensiei de protecție, acordați atenție pentru a nu intra în contact cu lama de tăiere cu fir de nylon de pe extensia de protecție.** Contactul cu

dispozitivul de tăiere poate duce la accidentări personale.

Atașați capacul protectorului la carcasa angrenajului. Împingeți ușor părțile laterale ale șurubului flutुरe spre exterior și introduceți bolțurile în orificiile din părțile laterale ale șurubului flutुरe. (Fig. 19)

#### NOTĂ:

- **Nu împingeți părțile laterale ale șurubului flutुरe prea mult spre exterior.** În caz contrar, acestea se pot rupe.

Fixați protecția la clemă, cu două șuruburi, în modul indicat. Strângeți uniform șuruburile din partea stângă și dreaptă. (Fig. 20)

La utilizarea capului de tăiere cu nylon, montați extensia de protecție. Amplasați extensia de protecție pe șina de montare prevăzută pe marginea inferioară a dispozitivului de protecție. Apoi glisați-o în poziție până când extensia de protecție emite un clic și se blochează. Extensia de protecție este concepută astfel încât să se monteze pe apărătoare doar într-o singură direcție. (Fig. 21)

#### NOTĂ:

- Îndepărtați banda de pe lama de tăiere, care taie cablul de nylon, aflată pe extensia de protecție la prima utilizare. (Fig. 22)

Pentru a demonta extensia de protecție, utilizați o șurubelniță plată și introduceți-o în fanta mică prevăzută pe proeminența de blocare. Pentru a debloca extensia de protecție, apăsați proeminența de blocare în timp ce glisați extensia de protecție inferioară în direcția indicată în figură. În momentul în care extensia de protecție începe să se gliceze, aceasta este deblocată și poate fi demontată prin continuarea glisării de pe apărătoare.

## Instalarea lamei de tăiere

### ⚠️ AVERTISMENT:

- **Diametrul exterior al lamei de tăiere trebuie să fie 230 mm.** Nu utilizați niciodată o lamă care depășește 230 mm în diametrul exterior.

### ⚠️ ATENȚIE:

- Lama de tăiere trebuie să fie bine polizată, să nu prezinte fisuri sau să nu fie ruptă. Polizați sau înlocuiți lama de tăiere la fiecare trei ore de funcționare.
- Purtați întotdeauna mănuși atunci când manipulați lama de tăiere.
- Atașați întotdeauna capacul lamei atunci când mașina nu este utilizată sau este transportată.
- Piulița de fixare a lamei de tăiere (cu șaibă elastică) este o piesă consumabilă. Dacă apare orice uzură sau deformare pe șaiba cu arc, înlocuiți piulița. Contactați centrul de service local pentru a comanda.

#### NOTĂ:

- Asigurați-vă că utilizați doar lame de tăiere Makita originale.

Întoarceți mașina invers astfel încât să puteți înlocui cu ușurință lama de tăiere. (Fig. 23)

Pentru a demonta lama de tăiere, introduceți cheia hexagonală prin orificiul de pe capacul protectorului și carcasa angrenajului. Rotiți șaiba receptorului până când aceasta este fixată, cu cheia hexagonală. Slăbiți piulița hexagonală (filet pe partea stângă) cu cheia tubulară și îndepărtați piulița, cupa, șaiba clemei și cheia hexagonală. (Fig. 24)

Montați lama de tăiere pe arbore astfel încât ghidajul șaibei receptorului să intre în orificiul arborelui din lama de tăiere. Montați șaiba clemei, cupa și fixați lama de tăiere cu cheia hexagonală cu un cuplu de strângere de 13 - 23 Nm în timp ce țineți șaiba receptorului cu cheia hexagonală. (Fig. 25)

Asigurați-vă că lama este cu partea stângă în sus.

## Montarea capului de tăiere din nylon

### ⚠️ ATENȚIE:

- **Utilizați doar un cap de tăiere din nylon cu apărătoarea și extensia de protecție montate.** În caz contrar există pericol de accidentări corporale grave.

#### NOTĂ:

- Asigurați-vă că utilizați doar un cap de tăiere din nylon Makita original.

Întoarceți mașina invers astfel încât să puteți înlocui cu ușurință capul de tăiat din nylon. (Fig. 26)

Introduceți cheia hexagonală prin orificiul de pe carcasa protectorului și carcasa angrenajului, și rotiți șaiba receptorului până când acesta este blocat cu cheia hexagonală. Montați capul de tăiere din nylon pe fusul filetat direct și apoi strângeți rotund în sens invers acelor de ceasornic. Scoateți cheia hexagonală.

Pentru a demonta capul de tăiat din nylon, rotiți capul de tăiat din nylon în sensul acelor de ceasornic în timp ce țineți șaiba receptorului cu cheia hexagonală.

### ⚠️ ATENȚIE:

- **Dacă, în timpul operării, capul de tăiere din nylon lovește accidental o piatră sau un obiect dur, motocoasa trebuie oprită și verificată pentru orice defecțiuni. În cazul în care capul de tăiere din nylon este deteriorat, acesta trebuie înlocuit imediat.** Utilizarea unui cap de tăiere din nylon deteriorat poate duce la accidentări grave.

## FOLOSIRE

### Manevrarea corectă a mașinii (BBC231U, BC231UD)

#### Poziție corectă

### ⚠️ AVERTISMENT:

- **Poziționați întotdeauna mașina în partea dreaptă astfel încât axul mânerului stâng să se afle în fața dumneavoastră.** Poziționarea corectă a mașinii permite un control maxim și va reduce riscul accidentărilor personale grave cauzate de recul.

Montați centura de umăr în modul indicat și fixați mașina ferm în partea dreaptă, conform figurii, astfel încât axul mânerului stâng să se afle întotdeauna în fața dumneavoastră. (Fig. 27)

#### Atașarea centurii de umăr (Fig. 28)

Purtați centura de umăr pe spate și cuplați-o până la auzirea unui clic. Asigurați-vă că aceasta nu poate fi scoasă prin tragere. Fixați mașina în modul indicat.

#### Detășare (Fig. 29)

Catarama este prevăzută cu un dispozitiv de decuplare rapidă, care poate realizată prin simpla strângere a părților laterale și a cataramei.

### **AVERTISMENT:**

- **Fiți foarte atent pentru a menține controlul mașinii în acest moment. Nu lăsați mașina să fie deviată spre dumneavoastră sau orice altă persoană din apropierea zonei de lucru.** În caz contrar există pericol de vătămări corporale grave.

### **Reglarea poziției agățătorii și a centurii de umăr**

La înlocuirea unui accesoriu cu un altul, echilibrul de greutate a unelei se poate modifica. În acest caz, reglați poziția agățătorii și lungimea centurii de umăr în modul următor.

Pentru a schimba poziția agățătorii, slăbiți șurubul de fixare de pe agățătoare cu cheia furnizată și apoi mutați agățătoarea și căptușeala. Căptușeala poate fi ușor mutată prin răsucirea ei.

Reglați poziția agățătorii și lungimea centurii de umăr astfel încât:

- agățătoarea se află la 750 mm sau mai mult de sol,
- dispozitivul de tăiere se află la 100 mm - 300 mm față de sol și
- partea neprotejată a dispozitivului de tăiere se află pe orizontală la 750 mm sau mai mult de agățătoare.

(Fig. 30)

După reglarea poziției agățătorii, strângeți ferm șurubul cu cheia.

## **Manevrarea corectă a mașinii (BBC300L, BC300LD)**

### **Poziție corectă**

#### **AVERTISMENT:**

- **Poziționați întotdeauna mașina în partea dreaptă astfel încât piedica să se afle întotdeauna în fața dumneavoastră.** Poziționarea corectă a mașinii permite un control maxim și va reduce riscul accidentărilor personale grave cauzate de recul.

Puneți centura de umăr pe umărul stâng, conform figurii, trecându-vă brațul drept și capul prin aceasta și țineți mașina în partea dreaptă astfel încât piedica să se afle întotdeauna în fața dumneavoastră. (Fig. 31)

### **Atașarea centurii de umăr (Fig. 32)**

După punerea centurii de umăr, aceasta poate fi atașată la mașină prin conectarea cataramelor prevăzute pe cârligul mașinii și pe centură. Asigurați-vă că ați poziționat corect cataramele, acestea emițând un clic.

### **Detășare (Fig. 33)**

Catarama este prevăzută cu un dispozitiv de decuplare rapidă, care poate realizată prin simpla strângere a părților laterale și a cataramei.

#### **AVERTISMENT:**

- **Fiți foarte atent pentru a menține controlul mașinii în orice moment. Nu lăsați mașina să fie deviată spre dumneavoastră sau orice altă persoană din apropierea zonei de lucru.** Scăparea de sub control a mașinii poate duce la accidentări grave ale operatorului sau persoanelor din jur.

### **Reglarea poziției agățătorii și a centurii de umăr**

La înlocuirea unui accesoriu cu un altul, echilibrul de greutate a unelei se poate modifica. În acest caz, reglați poziția agățătorii și lungimea centurii de umăr în modul următor.

Pentru a schimba poziția agățătorii, slăbiți șurubul de fixare de pe agățătoare cu cheia furnizată și apoi mutați agățătoarea.

Reglați poziția agățătorii și lungimea centurii de umăr astfel încât:

- agățătoarea se află la 750 mm sau mai mult de sol,
- dispozitivul de tăiere se află la o distanță de până la 300 mm față de sol și
- partea neprotejată a dispozitivului de tăiere se află pe orizontală la 750 mm sau mai mult de agățătoare.

(Fig. 34)

După reglarea poziției agățătorii, strângeți ferm șurubul cu cheia.

## **ÎNȚREȚINERE**

#### **AVERTISMENT:**

- **Asigurați-vă întotdeauna că mașina este oprită și cartușul acumulatorului este scos înainte de a executa lucrările de inspecție și întreținere pe mașină.** În caz contrar, pot rezulta accidentări personale grave în urma pornirii accidentale a mașinii.

#### **NOTĂ:**

- Nu utilizați niciodată gazolină, benzină, diluant, alcool sau alte substanțe asemănătoare. În caz contrar, pot rezulta decolorări, deformări sau fisuri.

## **Furnizare unsoare la carcasa angrenajului (Fig. 35)**

Alimentați cu unsoare (Shell Alvania 2 sau echivalent) la cutia angrenajului prin orificiul pentru unsoare, la fiecare 30 de ore. (Unsoarea Makita originală poate fi achiziționată de la distribuitorul dumneavoastră Makita.)

## **Înlocuirea firului din nylon**

#### **AVERTISMENT:**

- **Asigurați-vă întotdeauna că mașina este oprită și cartușul acumulatorului este scos înainte de a executa lucrările de inspecție și întreținere pe mașină.** În caz contrar, pot rezulta accidentări personale grave în urma pornirii accidentale a mașinii.
- **Capacul capului de tăiat din nylon trebuie să fie corect fixat în carcasă, în modul descris mai jos.** Neasigurarea corectă a capacului poate duce la desprinderea capului de tăiere din nylon, rezultând accidentări personale grave. (Fig. 36)

Apăsați în interior pe zăvoarele carcasei și ridicați capacul pentru a-l demonta. Depuneți la deșeurile resturile de cablu din nylon. (Fig. 37)

Prindeți partea din mijloc a noului cablu din nylon de fanta localizată în centrul bobinei între cele 2 canale prevăzute pentru cablul din nylon. O parte a cablului trebuie să fie cu aproximativ 80 mm mai lungă decât cealaltă parte.

Înfășurați ambele capete în jurul bobinei în direcția marcată pe cap pentru direcție spre stânga, indicată prin LH. (Fig. 38)

Înfășurați firele în întregime, mai puțin 100 mm din cablu, lăsând capetele agățate temporar printr-o creștătură de pe partea laterală a bobinei. (Fig. 39)

Montați bobina în carcasă astfel încât canelurile și protuberanțele bobinei să se potrivească cu cele din carcasă. Țineți partea laterală cu literele de pe bobină vizibile pe partea superioară. În acest moment,

desprindeți capetele firului din poziția lor temporară și treceți firul prin urechi pentru a ieși în afara carcasei.

**(Fig. 40)**

Aliniați protuberanța de pe partea inferioară a capacului cu canalele urechilor. Apoi apăsați ferm capacul pe carcasă pentru a-l fixa. Asigurați-vă că incuietoria se fixează corect în capac.

Pentru a menține SIGURANȚA și FIABILITATEA produsului, reparațiile și orice alte lucrări de întreținere

sau reglare trebuie executate de centre de service Makita autorizate, folosind întotdeauna piese de schimb Makita.

## DEPANARE

Înainte de a solicita reparațiile, mai întâi, efectuați propria inspecție. În cazul în care găsiți o problemă care nu este explicată în manual, nu vă încercați să demontați echipamentul. Mai degrabă, solicitați Centrele de service autorizate Makita, utilizând întotdeauna piese de schimb Makita pentru reparații.

Stare defecțiune	Cauza	Acțiune
Motorul nu operează.	Cartușul acumulatorului nu este instalat.	Montați cartușul acumulatorului.
	Problemă cu bateria (tensiune scăzută)	Reîncărcați acumulatorul. Dacă reîncărcarea nu este eficientă, înlocuiți acumulatorul.
	Sistemul de acționare nu operează corect.	Solicitați centrului de service local efectuarea reparațiilor.
Motorul se oprește din operare după puțin timp.	Rotirea are loc invers.	Modificați direcția de rotație cu comutatorul de inversare.
	Nivelul de încărcare al acumulatorului este redus.	Reîncărcați acumulatorul. Dacă reîncărcarea nu este eficientă, înlocuiți acumulatorul.
	Supraîncălzire.	Opriiți utilizarea mașinii și lăsați-o să se răcească.
Acesta nu atinge turația maximă.	Acumulatorul este instalat necorespunzător.	Montați cartușul acumulatorului în modul descris în acest manual.
	Puterea acumulatorului se reduce.	Reîncărcați acumulatorul. Dacă reîncărcarea nu este eficientă, înlocuiți acumulatorul.
	Sistemul de acționare nu operează corect.	Solicitați centrului de service local efectuarea reparațiilor.
Unealta de tăiere nu se rotește: opriiți imediat echipamentul!	Obiecte străine, precum o creangă, blochează spațiul dintre apărătoare și capul de tăiere din nylon sau lama de tăiere.	Îndepărtați obiectul străin.
	Piulița de fixare a lamei de tăiere este slăbită.	Strângeți piulița corect în modul descris în acest manual.
	Lama de tăiere este îndoită.	Înlocuiți lama de tăiere.
	Sistemul de acționare nu operează corect.	Solicitați centrului de service local efectuarea reparațiilor.
Vibrații anormale: opriiți imediat echipamentul!	Unul dintre cablurile din nylon s-a rupt, iar capul s-a dezchilibrat.	Loviți capul de tăiere din nylon de sol în timp ce acesta se rotește pentru a alimenta cablul.
	Lama de tăiere este îndoită, fisurată sau uzată.	Înlocuiți lama de tăiere.
	Piulița de fixare a lamei de tăiere este slăbită.	Strângeți piulița corect în modul descris în acest manual.
	Lama de tăiere este fixată necorespunzător.	
	Sistemul de acționare nu operează corect.	Solicitați centrului de service local efectuarea reparațiilor.
Unealta de tăiere și motorul nu pot fi oprite: Scoateți imediat acumulatorul!	Defecțiune electrică sau electronică.	Scoateți acumulatorul și solicitați reparații din partea centrului de service local autorizat.

## ACCESORII OPȚIONALE

### ATENȚIE:

- Aceste accesorii sau atașamentele sunt recomandate pentru utilizarea împreună cu unealta Makita specificată în acest manual. Utilizarea oricăror alte accesorii sau atașamente poate prezenta riscul de rănire a persoanelor. Utilizați accesoriile și atașamentele numai în scopul pentru care au fost destinate.

Dacă aveți nevoie de asistență pentru detalii suplimentare referitoare la aceste accesorii, întrebați centrul local de service Makita.

- Lama de tăiere
- Cap de tăiere din nylon
- Atașament de mașină de tuns gardul viu (pentru modelul BBC300L, BC300LD)
- Atașament de ferăstrău (pentru modelul BBC300L, BC300LD)
- Atașament de cultivator (pentru modelul BBC300L, BC300LD)
- Acumulator și încărcător original Makita

### NOTĂ:

- Unele articole din listă pot fi incluse ca accesorii standard în ambalajul de scule. Acestea pot diferi în funcție de țară.

# SLOVENČINA (Pôvodné pokyny)

## Vysvetlenie všeobecného pohľadu

- |   |                                |                                 |
|---|--------------------------------|---------------------------------|
| 1. Červený indikátor                                      | 17. Gombík                     | 35. Kalich                      |
| 2. Posuvné tlačidlo                                       | 18. Príchytka rukoväte         | 36. Šesťhranná matica           |
| 3. Kazeta akumulátora                                     | 19. Držiak rukoväte            | 37. Vreteno so závitom          |
| 4. Tlačidlo odomknutia                                    | 20. Tlačná pružina             | 38. Páčka                       |
| 5. Vypínač  | 21. Bariéra                    | 39. Spona                       |
| 6. Vratný prepínač  | 22. Rozpera                    | 40. Záves                       |
| 7. Poloha stlačenia A pre štandardnú prevádzku            | 23. Značka šípky               | 41. Otvor na prevodovke         |
| 8. Poloha stlačenia B pred odstraňovaním buriny a úlomkov | 24. Sečná čepeľ                | 42. Prevodovka                  |
| 9. Prepínač zmeny otáčok                                  | 25. Chránič                    | 43. Kryt                        |
| 10. Kontrolka   | 26. Nylonová sečná hlava       | 44. Západky                     |
| 11. Najúčinnnejšia sečná plocha                           | 27. Rozšírenie chrániča        | 45. Stlače                      |
| 12. Indikátory  | 28. Skrutka                    | 46. Cievka                      |
| 13. Tlačidlo CHECK  | 29. Krídelko                   | 47. Pre ľavotočivé otáčanie     |
| 14. Držadlo   | 30. Dve skrutky                | 48. Západky                     |
| 15. Rukoväť   | 31. Ochranný kryt              | 49. Očka                        |
| 16. Skrutka   | 32. Šesťhranný nástrčkový kľúč | 50. Výčnelok (nie je zobrazený) |
|   | 33. Podložná podložka          | 51. Otvor očka                  |
|   | 34. Upínacia podložka          |                                 |

## TECHNICKÉ ÚDAJE

Model		BBC231U/BC231UD	
Typ rukoväti		Cyklistická rukoväť	
Otáčky bez zaťaženia	Vysoké	0 – 7300 min <sup>-1</sup>	
	Nízke	0 – 5300 min <sup>-1</sup>	
Celková dĺžka		1880 mm	
Priemer sečnej čepele		230 mm	
Čistá hmotnosť		7,1 kg	
Menovité napätie		D.C. 36 V	
Štandardný akumulátor a nabíjačka ⚠ Vždy dodržiavajte kombinácie akumulátora/nabíjačky uvedené v stĺpcoch vpravo.		BL3626 DC36RA	BL3622A DC36WA

Model		BBC300L/BC300LD	
Typ rukoväti		Uzavretá rukoväť	
Otáčky bez zaťaženia	Vysoké	0 – 6600 min <sup>-1</sup>	
	Nízke	0 – 4900 min <sup>-1</sup>	
Celková dĺžka		1850 mm	
Priemer rezu v prípade nylonovej sečnej hlavy		300 mm	
Čistá hmotnosť		5,9 kg	
Menovité napätie		D.C. 36 V	
Štandardný akumulátor a nabíjačka ⚠ Vždy dodržiavajte kombinácie akumulátora/nabíjačky uvedené v stĺpcoch vpravo.		BL3626 DC36RA	BL3622A DC36WA

- Kvôli pokračujúcemu programu výskumu a vývoja sa tu uvedené technické špecifikácie môžu bez predchádzajúceho upozornenia zmeniť.
- Technické špecifikácie a typ akumulátora sa môžu v rámci jednotlivých krajín líšiť.
- Hmotnosť s akumulátorom podľa postupu EPTA 01/2003



Hluk	Priemerná úroveň akustického tlaku		Použiteľná norma
	Model	$L_{PA}$ (dB (A))	
BBC231U/BC231UD	79,7	2,5	ISO22868
BBC300L/BC300LD	79,3	2,5	EN786

- Aj ak je hore uvedená úroveň akustického tlaku 80 dB (A) alebo menej, úroveň pri práci môže presahovať 80 dB (A). Používajte ochranu sluchu.

Vibrácie	Ľavá ruka		Pravá ruka		Použiteľná norma
	Model	$a_h$ (m/s <sup>2</sup> )	Odchýlka K (m/s <sup>2</sup> )	$a_h$ (m/s <sup>2</sup> )	
BBC231U/BC231UD	≤ 2,5	1,5	≤ 2,5	1,5	ISO22867, EN786
BBC300L/BC300LD	≤ 2,5	1,5	≤ 2,5	1,5	EN786

END901-1

- Deklarovaná hodnota emisií vibrácií bola meraná podľa štandardnej skúšobnej metódy a môže sa použiť na porovnanie jedného náradia s druhým.
- Deklarovaná hodnota emisií vibrácií sa môže použiť aj na predbežné posúdenie vystavenia ich účinkom.

### ⚠ VÝSTRAHA:

- Emisie vibrácií počas skutočného používania elektrického náradia sa môžu odlišovať od deklarovanej hodnoty emisií vibrácií, a to v závislosti na spôsoboch používania náradia.
- Nezabudnite označiť bezpečnostné opatrenia s cieľom chrániť obsluhu, a to tie, ktoré sa zakladajú na odhade vystavenia účinkom v rámci reálnych podmienok používania (berúc do úvahy všetky súčasti prevádzkového cyklu, ako sú doby, kedy je náradie vypnuté a kedy beží bez zaťaženia, ako dodatok k dobe zapnutia).



..... Maximálne prípustné otáčky náradia.



..... Len pre štáty EÚ  
 Nevyhadzujte elektrické zariadenia alebo batériu do komunálneho odpadu!  
 Podľa európskej smernice 2012/19/EÚ o nakladaní s použitými elektrickými a elektronickými zariadeniami a smernice 2006/66/ES o batériách a akumulátoroch a odpadových batériách a akumulátoroch a ich implementovaní, ako aj podľa zodpovedajúcich ustanovení právnych predpisov jednotlivých krajín, je nutné elektrické zariadenia a batérie po skončení ich životnosti triediť a odovzdať na zberné miesto vykonávajúce kompatibilné recyklovanie.

### Symoly

END008-4

Nasledujú symboly, ktoré sa pre toto zariadenie používajú. Pred použitím sa presvedčte, že ste porozumeli ich významu.

..... Venujte veľkú pozornosť! a dávajte pozor!

..... Prečítajte si návod na obsluhu.

..... Nebezpečenstvo; dávajte pozor na odhadzované predmety.

..... Vzdialenosť medzi náradím a okolostojacimi musí byť aspoň 15 m.

..... Zabráňte prístupu okolostojacích.

..... Dodržiavajte aspoň 15 m vzdialenosť.

..... Zabráňte spätnému nárazu.

..... Používajte ochrannú prilbu, chrániče zraku a sluchu.

..... Používajte ochranné rukavice.

..... Používajte pevnú obuv s nekĺzavou podrážkou. Odporúča sa používanie bezpečnostnej obuvi s oceľovou špičkou.

..... Nevystavujte účinkom vlhkosti.

### Iba krajiny Európy

ENH035-4

### Vyhlasenie o zhode so smernicami Európskeho spoločenstva

**Naša spoločnosť Makita, ako zodpovedný výrobca vyhlasuje, že nasledujúce strojnè zariadenie(a) značky Makita:**

Oznaèenie zariadenia:

Akumulátorový krovinoz

Èíslo modelu / typ: BBC231U, BC231UD

Technické špecifikácie: pozrite si tabuľku

„TECHNICKÉ ÚDAJE“.

predstavuje výrobok sériovej výroby

**a vyhovuje nasledujúcim európskym smerniciam:**

2000/14/ES, 2006/42/ES

a je vyrobené podľa nasledujúcich noriem a

štandardizovaných dokumentov:

EN/ISO11806, EN60745

Technickú dokumentáciu archivuje:

Makita International Europe Ltd.

Technical Department,

Michigan Drive, Tongwell,

Milton Keynes, Bucks MK15 8JD, Anglicko

Postup posúdenia zhody, ako vyžaduje smernica 2000/14/ES bol zrealizovaný podľa prílohy V.  
Meraná úroveň akustického výkonu: 93,6 dB (A)  
Garantovaná úroveň akustického výkonu: 95 dB (A)

2. 10. 2012



Tomoyasu Kato  
Riaditeľ  
Makita Corporation  
3-11-8, Sumiyoshi-cho,  
Anjo, Aichi, 446-8502, JAPAN

Skúšku typu EC podľa smernice 2006/42/ES vykonal:  
DEKRA Testing and Certification GmbH  
Enderstraße 92b  
01277 Dresden, Nemecko  
Identifikačné č. 2140

2. 10. 2012



Tomoyasu Kato  
Riaditeľ  
Makita Corporation  
3-11-8, Sumiyoshi-cho,  
Anjo, Aichi, 446-8502, JAPAN

Iba krajiny Európy ENH040-3

**Vyhlasenie o zhode so smernicami Európskeho  
spoločenstva**

**Naša spoločnosť Makita, ako zodpovedný výrobca  
vyhlasuje, že nasledujúce strojné zariadenie(a)  
značky Makita:**

GEB068-3

Označenie zariadenia:  
Akumulátorová strunová kosačka  
Číslo modelu / typ: BBC300L, BC300LD  
Technické špecifikácie: pozrite si tabuľku  
„TECHNICKÉ ÚDAJE“.

predstavuje výrobok sériovej výroby

**a vyhovuje nasledujúcim európskym smerniciam:**

2000/14/ES, 2006/42/ES

a je vyrobené podľa nasledujúcich noriem a  
štandardizovaných dokumentov:

EN709, EN/ISO10517, EN/ISO11680, EN/ISO11806,  
EN60745

Technickú dokumentáciu archivuje:

Makita International Europe Ltd.  
Technical Department,  
Michigan Drive, Tongwell,  
Milton Keynes, Bucks MK15 8JD, Anglicko

Postup posúdenia zhody, ako vyžaduje smernica 2000/  
14/ES bol zrealizovaný podľa prílohy VIII.

Oboznámený orgán:

TÜV Rheinland LGA Products GmbH  
Tillystraße 2  
90431 Nürnberg, Nemecko  
Identifikačné číslo 0197

Meraná úroveň akustického výkonu: 91,3 dB (A)  
Garantovaná úroveň akustického výkonu: 93 dB (A)

Číslo certifikátu skúšky typu EC pre tyčovú pílu s  
príslušenstvom tyčovej píly je:

4811008.12016

## DÔLEŽITÉ BEZPEČNOSTNÉ POKYNY

**⚠ VÝSTRAHA! Prečítajte si všetky bezpečnostné  
predpisy a inštrukcie. Nedodržanie výstrah a  
pokynov môže mať za následok úraz zasiahnutím  
elektrickým prúdom, požiar alebo vážne zranenie.**

**Všetky výstrahy a pokyny si odložte pre  
případ potreby v budúcnosti.**

### Určené použitie

1. Akumulátorový krovínorez/strunová kosačka je určená na kosenie trávy, buriny, kríkov a podrastu. Zariadenie by sa nemalo používať na žiadny iný účel, ako je úprava okrajov, sekanie živých plotov, pretože by mohlo dôjsť k úrazu.

### Všeobecné pokyny

1. Nikdy nedovoľte, aby osoby neoboznámené s týmito pokynmi, osoby (vrátane detí) so zníženými fyzickými, zmyslovými alebo duševnými schopnosťami, alebo osoby s nedostatočnými skúsenosťami a znalosťami používali toto náradie. V prípade detí je treba dohliadať na to, aby sa s náradím nehrali.
2. Pred spustením náradia si prečítajte tento návod na obsluhu a oboznámte sa manipuláciou s náradím.
3. Náradie nepožičiavajte osobe bez dostatočných skúseností alebo znalostí s manipuláciou s krovínorezmi a strunovými kosačkami.
4. Pri požičiavaní náradia vždy odovzdajte aj návod na obsluhu.
5. S náradím manipulujte s maximálnou opatrnosťou a pozornosťou.
6. Náradie nikdy nepoužívajte po požití alkoholu alebo liekov, alebo pokiaľ sa cítite unavení alebo chorí.
7. Náradie sa nikdy nepokúšajte upravovať.
8. Dodržiavajte nariadenia ohľadne manipulácie s krovínorezmi a strunovými kosačkami, ktoré sú v platnosti vo vašej krajine.

### Osobné ochranné prostriedky (Obr. 1)

1. Používajte bezpečnostnú prilbu, ochranné okuliare a ochranné rukavice, aby ste sa chránili pred letiacimi úlomkami alebo padajúcimi predmetmi.
2. Aby ste zabránili strate sluchu, používajte ochranu sluchu, ako sú klapky na uši.
3. Kvôli bezpečnej prevádzke používajte správny odev a obuv, akými sú pracovná kombinéza a pevná obuv s

nekĺzavou podrážkou. Nenoste voľný odev alebo šperky. Voľný odev, šperky alebo dlhé vlasy sa môžu zachytiť do pohyblivých dielov.

4. Pri dotýkaní sa sečnej čepele používajte ochranné rukavice. Sečnými čepeľami si môžete vážne porezať ruky.

### Bezpečnosť pracoviska

1. Náradie používajte len pri dobrej viditeľnosti a pri dennom osvetlení. Náradie nepoužívajte počas tmy ani pri výskyte hmly.
2. Náradie nepoužívajte vo výbušnom prostredí, napr. v prítomnosti zápalných kvapalín, plynov alebo prachu. Náradie iskří, následkom čoho sa môžu prach alebo výpary vznietiť.
3. Počas vykonávania práce nikdy nestojte na nestabilnom alebo klzkom povrchu, ani na stromov svahu. Počas chladného ročného obdobia dávajte pozor na ľad a sneh, a vždy zabezpečte stabilný postoj.
4. Počas prevádzky zabezpečte, aby sa okolostojace osoby alebo zvieratá zdržiavali vo vzdialenosti aspoň 15 m od náradia. Ak sa ktokolvek priblíži, okamžite vypnite náradie.
5. Pred vykonávaním práce skontrolujte pracovisko z pohľadu výskytu kameňov alebo iných tvrdých predmetov. Môže dôjsť k ich odhodeniu alebo k vzniku nebezpečného spätného nárazu s dôsledkom vážnych poranení a/alebo poškodenia majetku.
6. **⚠ VÝSTRAHA:** Použitím tohto výrobku môže dochádzať k vzniku prachu, ktorý obsahuje chemikálie, ktoré môžu spôsobiť dýchacie problémy alebo iné ochorenia. Príklady týchto chemikálií alebo zložiek možno nájsť v pesticídoch, insekticídoch, hnojivách a herbicídoch. Riziko ohrozenia vašej osoby vystavením sa týmto látkam sa líši v závislosti od toho, ako často vykonávate tento typ práce. Ako znížite riziká z vystavenia týmto chemikáliám: pracujte na dobre vetranom mieste a pracujte s odporúčanými bezpečnostnými pomôckami, napríklad protiprachovými maskami, ktoré sú špeciálne určené na filtrovanie mikroskopických častíc.

### Elektrická bezpečnosť a bezpečnosť pri používaní akumulátora

1. Náradie nevystavujte dažďu alebo inému vlhkému prostrediu. Ak do náradia vnikne voda, zvýši sa tým riziko zasiahnutia elektrickým prúdom.
2. Ak náradie nie je možné zapnúť a vypnúť vypínačom, nepoužívajte ho. Každé náradie, ktoré je vypínačom neovládateľné, je nebezpečné a musí sa dať opraviť.
3. Predchádzajte neúmyselnému spusteniu. Pred inštaláciou akumulátora, zdvíhaním a/alebo prenášaním náradia prepnite vypínač do polohy OFF (VYP.). Prenášaním náradia s prstom na vypínači, alebo pripájaním náradia k napájaniu so zapnutým vypínačom sa zvyšuje riziko úrazu.
4. Nabíjajte iba nabíjačkou určenou výrobcom. Nabíjačka vhodná pre jeden typ akumulátora môže byť inom type akumulátora spôsobiť riziko vzniku požiaru.
5. Náradie používajte iba s príslušnými typmi akumulátora. Použitie iného typu akumulátora môže spôsobiť riziko vzniku požiaru a úrazu.
6. Keď sa akumulátor práve nepoužíva, skladujte ho mimo iných kovových predmetov, ako sú kancelárske

- spinky, mince, kľúče, klince, skrutky alebo iné malé kovové predmety, ktoré by mohli kontakty akumulátora skratovať. Skratovanie kontaktov akumulátora môže spôsobiť popálenie alebo požiar.
7. Za nevhodných podmienok, keď by z batérie vytekala kvapalina, predchádzajte kontakt s ňou. Pri náhodnom kontakte opláchnite vodou. Ak kvapalina zasiahne oči, vyhľadajte lekársku pomoc. Kvapalina, ktorá vyteká z akumulátora môže spôsobiť podráždenie alebo popálenie.

### Uvedenie do prevádzky

1. Pred montážou alebo nastavením náradia vyberte z neho akumulátor.
2. Pred dotýkaním sa sečnej čepele si nasadte ochranné rukavice.
3. Pred inštaláciou akumulátora skontrolujte náradie z pohľadu poškodení, uvoľnených skrutiek/matic alebo nesprávneho zmontovania. Tupú sečnú čepeľ naostrite. Ak je sečná čepeľ ohnutá alebo poškodená, vymeňte ju. Skontrolujte jednoduchosť fungovania ovládacích páčok a prepínačov. Rukoväť dôkladne vyčistite a vysušte.
4. Nikdy sa nepokúšajte zapnúť náradie, ktoré je poškodené alebo neúplne zmontované. Výsledkom môže byť vážne zranenie.
5. Pred zapnutím náradia odstráňte prípadný nastavovací kľúč alebo maticový kľúč. Kľúč alebo maticový kľúč nasadený na rotujúcej časti náradia môže spôsobiť poranenie osôb.
6. Popruh na rameno a ručné držadlo nastavte tak, aby vyhovovali telesným rozmerom obsluhy.
7. Počas vkladania akumulátora držte sečné príslušenstvo v dostatočnej vzdialenosti od svojho tela a iných predmetov, vrátane zeme. Môže sa počas štartovania oťačať a môžu spôsobiť poranenie alebo poškodenie náradia a/alebo majetku.

### Prevádzka

1. V núdzových prípadoch okamžite vypnite náradie.
2. Ak počas prevádzky zbadáte nezvyčajný stav (napr. hluk alebo vibrácie), vypnite náradie. Náradie nepoužívajte až do zistenia a odstránenia príčiny.
3. Sečné príslušenstvo sa bude po vypnutí náradia ešte krátko chvliť oťačať. Neponáhľajte sa a nedotýkajte sa sečného príslušenstva.
4. Počas prevádzky používajte popruh na rameno. Náradie držte na svojej pravej strane.
5. Nenačahujte sa. Vždy stojte pevne a udržiavajte rovnováhu. Sledujte skryté prekážky, ako sú pne stromov, korene a priekopy, aby ste predišli potknutiu sa.
6. Nikdy nepracujte na rebríku alebo na strome, aby ste predišli strate ovládania.
7. Ak bude náradie vystavené silnému nárazu alebo ak spadne, pred pokračovaním práce skontrolujte stav. Skontrolujte, či nie sú ovládacie prvky a bezpečnostné zariadenia chybné. V prípade výskytu poškodenia alebo v prípade pochybností požiadajte naše autorizované servisné stredisko o vykonanie kontroly a opravy.
8. Prevodovky sa nedotýkajte. Prevodovka je počas prevádzky horúca.

9. Aby ste predišli strate ovládania v dôsledku únavy, robte si prestávky. Odporúčame urobiť si 10 až 20-minútovú prestávku každú hodinu.
10. Ak mienite nechať náradie bez dozoru, a to aj na krátku dobu, vždy vyberte akumulátor. Zariadenie s vloženým akumulátorom, ktoré je bez dozoru, môžu použiť neoprávnené osoby a môže dôjsť k vážnym poraneniam.
11. Ak sa medzi sečné príslušenstvo a chránič zachytí tráva alebo vetvičky, náradie vždy vypnite a pred vyčistením vyberte akumulátor. V opačnom prípade sa môže sečné príslušenstvo nečakane roztočiť a spôsobiť vážne poranenie.
12. Ak sečné príslušenstvo narazí na kamene alebo tvrdé predmety, okamžite náradie vypnite. Následne vyberte akumulátor a sečné príslušenstvo skontrolujte.
13. Počas prevádzky často kontrolujte, či sa na sečnom príslušenstve nenachádzajú praskliny alebo poškodenia. Pred kontrolou vyberte akumulátor a počkajte, kým sa sečné príslušenstvo úplne nezastaví. Poškodené sečné príslušenstvo okamžite vymeňte, a to aj v prípade len vlásočnicových prasklín.
14. Nikdy nesekejte nad výškou pliec.
15. Pred začatím sekania počkajte, kým sečné príslušenstvo dosiahne po zapnutí náradia konštantné otáčiky.
16. Ak sa používajú kovové čepele, mávajte rovnomerne náradím polkruhovým pohybom sprava doľava, ako pri práci s kosou.

### Sečné príslušenstvo

1. Na vykonávanú prácu používajte správne sečné príslušenstvo.
  - Nylonové sečné hlavy (hlavy strunovej kosačky) sú vhodné na kosenie trávy trávnikov.
  - Kovové čepele sú vhodné na sekanie buriny, vysokej trávy, krovia, krov, podrastru, húštia a pod.
  - Nikdy nepoužívajte iné čepele, vrátane kovových otočných viackusových reťazí a cepových čepelí. Môžete vážne poraniť.
2. Vždy používajte chránič sečného príslušenstva správne prispôbený pre používané sečné príslušenstvo.
3. Ak sa používajú kovové čepele, vyhnite sa „spätnému nárazu“ a vždy sa pripravte na náhodný spätný náraz. Pozrite si časť „Spätný náraz“.

### Spätný náraz (tlak čepele)

1. Spätný náraz (tlak čepele) je náhla reakcia na zachytenú alebo uviaznutú sečnú čepeľ. Ak k nemu dôjde, náradie bude hodené nabok alebo smerom k obsluhu veľkou silou a môže spôsobiť vážne poranenie.
2. Spätný náraz sa vyskytuje hlavne pri používaní čepele v segmente 12 až 2 hodiny v prípade tvrdých materiálov, krovín a stromov hrubších ako 3 cm. **(Obr. 2)**
3. Aby ste predišli spätnému nárazu:
  - Používajte segment v rozsahu 8 až 11 hodín.
  - Nikdy nepoužívajte segment v rozsahu 12 až 2 hodiny.
  - Nikdy nepoužívajte segment v rozsahu 11 až 12 hodín a v rozsahu 2 až 5 hodín, ak nie je obsluha

dobře zaškolená a skúsená, pričom túto činnosť vykonáva na svoje vlastné riziko.

- Nikdy nepoužívajte sečné čepele v blízkosti tvrdých predmetov, ako je oplotenie, steny, kmene stromov a kamene.
- Nikdy nepoužívajte sečné čepele vo vertikálnom smere na také činnosti, ako je úprava okrajov a sekanie živých plotov. **(Obr. 3)**

### Vibrácie

1. Osoby s oslabeným obehom vystavené nadmerným vibráciám môžu zaznamenať poranenie ciev alebo nervového systému. Vibrácie môžu spôsobiť nasledujúce príznaky na prstoch, rukách alebo zápästiach: „Nemožnosť pohybu“ (znecitlivenie), ťpnutie, bolesť, pocit pichania, zmena sfarbenia pokožky alebo zmena pokožky. Pri ktoromkoľvek z týchto príznakov navštívte lekára!
2. Aby ste znížili riziko „choroby bielych prstov“, počas prevádzky udržiavajte ruky teplé a náradie a príslušenstvo majte v dobrom stave.

### Preprava

1. Pred prepravou náradia náradie vypnite a vyberte z neho akumulátor. Na sečnú čepeľ nasadte kryt.
2. Pri preprave náradia náradie držte v horizontálnej polohe, držiak ho za tyč.
3. Pri preprave náradia vo vozidle náradie správne zaisťte, aby ste zabránili jeho prevrhnutiu. V opačnom prípade môže dôjsť k poškodeniu náradia a ďalšej batožiny.

### Údržba

1. Servis náradia zverte autorizovanému servisnému stredisku a vždy používajte len originálne náhradné diely. Nesprávnu opravu a nedostatočnú údržbou dôjde k skráteniu životnosti náradia a zvyšuje sa riziko úrazov.
2. Pred vykonávaním akejkoľvek údržby, opravy alebo čistenia náradia vždy náradie vypnite a vyberte z neho akumulátor.
3. Pri manipulácii so sečnými čepeľami vždy používajte ochranné rukavice.
4. Náradie vždy očistite od špiny a prachu. Na čistenie nikdy nepoužívajte benzín, benzínový čistiac,riedidlo, alkohol ani nič podobné. Dôsledkom môžu byť deformácie alebo praskliny plastových prvkov.
5. Po každom použití utiahnite všetky skrutky a matice.
6. Nevykonávajte žiadnu údržbu ani opravu, ktoré nie sú popísané v návode na obsluhu. O vykonanie takýchto prác požiadajte naše autorizované servisné stredisko.
7. Vždy používajte len naše originálne náhradné diely a príslušenstvo. Používanie dielov a príslušenstva dodávaného inými spoločnosťami môže mať za následok poškodenie náradia, majetku a/alebo vážne poranenie.
8. O vykonanie kontroly a údržby náradia v pravidelných intervaloch požiadajte naše autorizované servisné stredisko.

### Uskladnenie

1. Pred uskladnením náradia vykonajte úplné vyčistenie a údržbu. Vyberte akumulátor. Na sečnú čepeľ nasadte kryt.
2. Náradie uskladnite na dobre vetranom, vyvýšenom alebo uzamknutom mieste mimo dosahu detí.

3. Náradie neopierajte o nič, ako je stena. Môže náhle spadnúť s dôsledkom poranení.

#### Prvá pomoc

1. Vždy majte v blízkosti k dispozícii lekárničku. Všetky použité položky z lekárničky prvej pomoci ihneď doplňte.
2. Pri požiadaní o pomoc poskytnite nasledujúce informácie:
  - Miesto úrazu
  - Čo sa stalo
  - Počet zranených osôb
  - Charakter poranenia
  - Vaše meno

## TIETO POKYNY SI ODLOŽTE.

### VÝSTRAHA:

**NIKDY** nepripustíte, aby pohodlie a dobrá znalosť výrobku (získané opakovaným používaním) nahradili presné dodržiavanie bezpečnostných pravidiel pre náradie. **NESPRÁVNE POUŽÍVANIE** alebo **nedodržiavanie bezpečnostných pokynov uvedených v tomto návode na obsluhu môže spôsobiť vážne poranenia osôb.**

## DÔLEŽITÉ BEZPEČNOSTNÉ POKYNY

ENC007-7

### PRE JEDNOTKU AKUMULÁTORA

1. Pred použitím akumulátora si prečítajte všetky pokyny a výstražné označenia na (1) nabíjačke, (2) akumulátore a (3) výrobku, ktorý používa akumulátor.
2. Akumulátor nerozoberajte.
3. Ak sa doba prevádzky príliš skráti, ihneď prerušte činnosť. Môže nastať riziko prehriatia, možných popálením či dokonca explózie.
4. V prípade zasiahnutia očí elektrolytom ich vypláchnite čistou vodou a okamžite vyhľadajte lekársku pomoc. Môže dôjsť k strate zraku.
5. Jednotku akumulátora neskratujte:
  - (1) Nedotýkajte sa konektorov žiadnym vodivým materiálom.
  - (2) Neskladujte jednotku akumulátora v obale s inými kovovými predmetmi, napríklad klincami, mincami a pod.
  - (3) Akumulátor nevystavujte účinkom vody alebo dažďa.

Pri skratovaní akumulátora by mohlo dôjsť k nárastu toku elektrického prúdu, prehriatiu, možným popáleninám či dokonca prebitiu.

6. Neskladujte náradie a jednotku akumulátora na miestach s teplotou dosahujúcou alebo presahujúcou 50 °C (122 °F).
7. Jednotku akumulátora nespáľujte, ani keď je vážne poškodená alebo úplne opotrebovaná. Jednotka akumulátora môže v ohni explodovať.
8. Dávajte pozor, aby akumulátor nespadol alebo nenarazil do niečoho.
9. Nepoužívajte poškodený akumulátor.

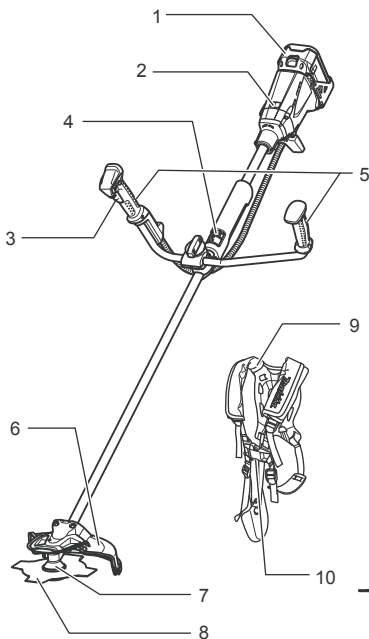
## TIETO POKYNY SI ODLOŽTE.

### Rady pre udržanie maximálnej životnosti akumulátora

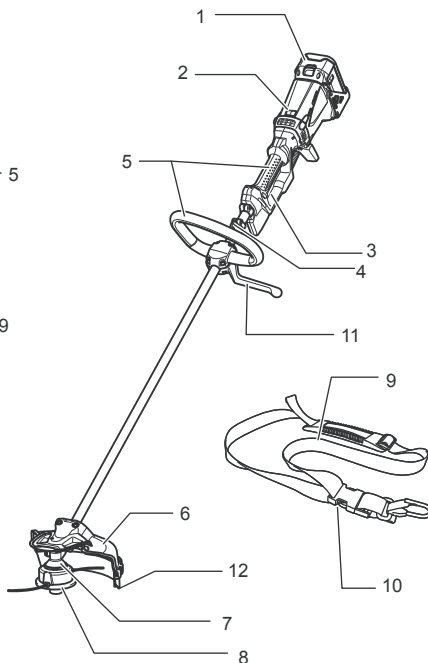
1. Pred úplným vybitím akumulátor nabite. Pokiaľ spozorujete nižší výkon náradia, vždy zastavte činnosť a jednotku akumulátora nabite.
2. Úplne nabitú jednotku akumulátora nikdy nenabíjajte. Nadmerné nabíjanie skracuje prevádzkovú životnosť akumulátora.
3. Akumulátor nabíjajte pri izbovej teplote 10 °C - 40 °C (50 °F - 104 °F). Pred nabíjaním nechajte jednotku akumulátora vychladnúť.
4. Pokiaľ sa akumulátor dlhodobo nepoužíva, nabite ho raz za šesť mesiacov.

# POPIS SÚČASTÍ

BBC231U / BC231UD



BBC300L / BC300LD



1	Kazeta akumulátora	7	Prevodovka
2	Kontrolka	8	Sečné náradie
3	Vypínač	9	Postroj na plece
4	Záves (závesný bod)	10	Spona
5	Rukoväť	11	Bariéra
6	Chránič (chránič sečného príslušenstva)	12	Rozšírenie chrániča

013124

## POPIS FUNKCIÍ

### ⚠ VÝSTRAHA:

- **Pred úpravou alebo kontrolou funkčnosti náradia vždy skontrolujte, či je náradie vypnuté a akumulátor je vybratý.** Opomenutie vypnúť náradie alebo vybrať z náradia akumulátor môže mať pri náhodnom spustení za následok vážne osobné poranenia.

### Inštalácia alebo demontáž kazety akumulátora (Obr. 4)

### ⚠ UPOZORNENIE:

- Pred inštaláciou alebo vybratím akumulátora náradie vždy vypnite.
- **Pri inštalovaní a vyberaní akumulátora pevne uchopíte náradie a akumulátor.** Opomenutie pevne uchopiť náradie a akumulátor môže mať za následok vyšmyknutie z vašich rúk s dôsledkom poškodenia náradia a akumulátora, ako aj osobných poranení.

Ak chcete vybrať akumulátor, vysuňte ho z náradia, pričom posúvajte tlačidlo na prednej strane kazety akumulátora.

Kazetu akumulátora nainštalujete tak, že jazýček na kazete zarovnáte s drážkou na tele skrinky a zasuniete ju na miesto. Zatlačte úplne, kým s malým cvaknutím nezapadne na miesto. Ak vidíte červený indikátor na hornej strane tlačidla, nie je úplne zapadnutý.

### ⚠ UPOZORNENIE:

- Akumulátor vždy nainštalujte úplne, až kým nie je vidieť červený indikátor. V opačnom prípade môže náhodne vypadnúť z nástroja a ublížiť vám alebo osobám v okolí.
- Pri inštalovaní kazety akumulátora nepoužívajte silu. Ak sa kazeta nedá zasunúť ľahko, nekladáte ju správne.

## Činnosť hlavného vypínača

### ⚠ VÝSTRAHA:

- Pred vložením kazety akumulátora do náradia sa vždy presvedčíte, či vypínač funguje správne a po uvoľnení sa vráti do pozície „OFF (VYP.)“.
- Nevytiahnite silno vypínač bez zatlačenia uzamykacieho tlačidla. Môže to spôsobiť zlomenie spínača.** Prevádzka náradia s nesprávne fungujúcim vypínačom môže viesť ku strate ovládania a k vážnym osobným poraneniam. (Obr. 5 a 6)

Aby sa zabránilo náhodnému vytiahnutiu vypínača, nachádza sa tu uzamykacie tlačidlo. Ak chcete zapnúť náradie, stlačte uzamykacie tlačidlo a potiahnite spúšť ač spínača. Otáčky náradia sa zvyšujú zvyšovaním prítlaku na vypínač. Zastavíte ho uvoľnením vypínača.

### Prepínač reverzného chodu na odstraňovanie úlomkov (Obr. 7 a 8)

Toto náradie je vybavené prepínačom reverzného chodu, ktorý slúži jedine na zmenu smeru otáčania a preto sa môže používať na odstraňovanie buriny a úlomkov zachytených v náradí. Pokiaľ chcete náradie prevádzkovať štandardným spôsobom, je potrebné stlačiť stranu „A“ prepínača.

Pokiaľ chcete odstrániť burinu a úlomky zaseknuté v otočnej hlave náradia, možno spustiť reverzný chod náradia, a to stlačením strany „B“ prepínača. Náradie bude v rámci reverzného chodu fungovať iba krátku dobu a automaticky sa vypne.

### ⚠ VÝSTRAHA:

- Pred odstraňovaním buriny a úlomkov zamotaných v náradí, ktoré nemožno odstrániť pomocou režimu reverzného chodu vždy náradie vypnite a vyberte z neho akumulátor. Opomenutie vypnúť náradie a vybrať z náradia akumulátor môže mať pri náhodnom spustení za následok vážne osobné poranenia.

### POZNÁMKA:

- Pred začatím činnosti vždy skontrolujte smer otáčania.
- Prepínač reverzného chodu používajte len po úplnom zastavení nástroja. Pri zmene smeru otáčania pred úplným zastavením by sa mohlo náradie poškodiť.

### Zmena otáčok (Obr. 9 a 10)



Prepínačom zmeny otáčok možno predvoliť dva rozsahy otáčok.

Prepnutie páčky prepínača zmeny otáčok do polohy „1“ dôjde k prepnutiu náradia na nízke otáčky a v polohe „2“ dôjde k prepnutiu náradia na vysoké otáčky.

### Systém ochrany batérie/motora

Akumulátor a náradie sú vybavené ochrannými zariadeniami, ktoré automaticky znížia sečný výkon náradia v prípade výskytu situácií pret'aženia, ktoré by mohli spôsobiť poškodenie náradia alebo akumulátora. Pokiaľ dôjde k pret'aženiu náradia ale nedôjde k jeho zablokovaniu, ochranné zariadenie zníži otáčky s cieľom chrániť motor. V takomto prípade dva indikátory popísané v dolu uvedenej tabuľke nebudú svietiť ani blikať.

Všetky ostatné ochranné funkcie možno určiť podľa indikátorov uvedených v dolu uvedenej tabuľke. (Obr. 11)

		Stav	Potrebný úkon
-	Bliká	Akumulátor je takmer vybitý.	Vymeňte akumulátor za iný, úplne nabitý.
-	Svieti	Ochrana akumulátora vypla napájanie - akumulátor je vybitý.	Vymeňte akumulátor za iný, úplne nabitý.
Bliká	-	Ochrana pred pret'ažením vypla napájanie - motor bol zablokovaný.	Uvoľnite vypínač a odstráňte príčinu zablokovania motora alebo pret'aženia. Pokiaľ je sečné náradie zablokované zachytenou burinou alebo podobným materiálom, pred odstránením takéhoto zablokovania vždy vyberte kazetu akumulátora.
Svieti	-	Ochrana proti prehriatiu vypla napájanie - prehrievanie	Zariadenie nechajte chvíľu odpočívať.
Bliká	Bliká	Elektrická alebo elektronická chyba	O opravu požiadajte miestne autorizované servisné stredisko.

010823

### Nylonová sečná hlava (voliteľné príslušenstvo výrobku dodávaného so sečnou čepeľou)

#### POZNÁMKA:

- Pokiaľ náradie beží pri vysokej hodnote otáčok za minútu, nepokúšajte sa o vysunutie struny úderom hlavou. Vysunutie struny úderom hlavou pri vysokej

hodnote otáčok za minútu môže mať za následok poškodenie nylonovej sečnej hlavy.

- Vysunutie úderom nebude fungovať pokiaľ sa hlava neotáča. (Obr. 12)

Nylonová sečná hlava predstavuje sečnú hlavu s dvojitou strunou s mechanizmom typu udriet' a posunúť strunu. Aby došlo k vysunutiu nylonovej struny, sečnou hlavou treba udriet' o zem pri nízkej hodnote otáčok za minútu. Po vysunutí nylonovej struny dôjde k jej automatickému

odseknutiu na správnu dĺžku pomocou nožov na strane rozšírenia chrániča.

#### POZNÁMKA:

Pokiaľ sa nylonová struna nevysunie pri údere hlavou, odviňte/vymeňte nylonovú strunu nasledujúcimi postupmi uvedenými v časti „Údržba“.

### Indikátor zostávajúcej kapacity akumulátora (iba pre modely s akumulátorom BL3622A)

Akumulátor BL3622A je vybavený indikátorom zostávajúcej kapacity. (Obr. 13)  
Stlačením tlačidla CHECK zobrazíte zostávajúcu kapacitu akumulátora. Indikátory sa následne rozsvietia na približne tri sekundy.

Indikátory	Zostávajúca kapacita
 Svieti      Nesvieti      Bliká	
E  F	70 % až 100 %
	45 % až 70 %
	20 % až 45 %
	0 % až 20 %
	Akumulátor nabíete.
	Akumulátor je možno chybný.

011713

- Keď bliká iba najspodnejší indikátor (vedľa „E“), alebo keď sa nerozsvieti žiadny z indikátorov, kapacita akumulátora je nulová a náradie fungovať nebude. V takýchto prípadoch akumulátor nabíete alebo vymeňte vybitý akumulátor za plne nabitý.
- Keď po dokončení nabíjania nebudú svietiť dva alebo viac indikátorov, prevádzková životnosť akumulátora sa skončila.
- Keď striedavo svietia dva horné a dva dolné indikátory, akumulátor je asi chybný. Spojte sa s miestnym servisným strediskom spoločnosti Makita.

#### POZNÁMKA:

- Vyznačená kapacita môže byť počas používania alebo ihneď po používaní náradia nižšia ako je skutočná hodnota.
- V závislosti na podmienkach používania a v závislosti na okolitej teplote sa môže vyznačenie mierne odlišovať od skutočnej kapacity.

## MONTÁŽ

#### ⚠ VÝSTRAHA:

- **Pred vykonaním akejkoľvek práce na náradí vždy skontrolujte, či je náradie vypnuté a akumulátor je vybratý.** Opomenutie vypnúť náradie a vybrať z náradia akumulátor môže mať pri náhodnom spustení za následok vážne osobné poranenia.

- **Nikdy náradie, ktoré nie je úplne zmontované nespúšťajte.** Prevádzka náradia v čiastočne zmontovanom stave môže mať pri náhodnom spustení za následok vážne osobné poranenia.

### Inštalácia rukoväte

#### Pre model BBC231U, BC231UD

V zmysle obrázka zasuňte tyč rukoväti do držadla. Zarovnajete otvor na skrutku v držadle s otvorom na tyčke. Bezpečne dotiahnite skrutku. (Obr. 14)

Uvoľnite gombík.

Rukoväť umiestnite medzi príchytku rukoväte a držiak rukoväte.

Rukoväť nastavte do takejho uhla, ktorý zabezpečuje pohodlnú pracovnú polohu a následne zaistíte pevným utiahnutím gombíka, ktorý sa ut'ahuje ručne. (Obr. 15)

#### Pre model BBC300L, BC300LD (Obr. 16)

Na rúrku tyče pomocou štyroch skrutiek prímontujte bariéru a držadlo. Zostavu držadla/bariéry namontujte medzi rozperu a značku šípky.

Bariéru umiestnite na ľavú stranu náradia. Následne utiahnite štyri skrutky tak, aby sa montážna zostava bariéry/držadla nemohla po rúrke tyče pohybovať ani otáčať.

#### ⚠ VÝSTRAHA:

- **Rozperu neodstraňujte ani ju nesťahujte.** Rozpera udržiava určitú vzdialenosť medzi obidvoma rukami. Nastavenie montážnej zostavy držadla/bariéry blízko druhého držadla za dĺžku rozpery môže spôsobiť stratu ovládania a vážne osobné poranenia.

### Inštalácia chrániča (Obr. 17 a 18)

#### ⚠ VÝSTRAHA:

- **Nikdy náradie nepoužívajte bez namontovaného zobrazeného chrániča.** V opačnom prípade môže dôjsť k vážnemu osobnému poraneniu.

#### ⚠ UPOZORNENIE:

- **Počas inštalácie rozšírenia chrániča dávajte pozor, aby ste sa nedotkli ostrého noža na odseknutie nylonovej struny, ktorým je rozšírenie chrániča vybavené.** Sťah s nožom môže mať za následok osobné poranenie.

Na prevodovku namontujte kryt chrániča. Mierne zatlačte krídolká smerom von a do otvorov v krídelkách zasuňte skrutky. (Obr. 19)

#### VAROVANIE:

- **Na krídolká netlačte smerom von veľkou silou.** V opačnom prípade sa môžu zlomiť.

Chránič upevnite ku svorku pomocou dvoch skrutiek, ako je to znázornené na obrázku. Rovnakým spôsobom utiahnite pravú a ľavú skrutku. (Obr. 20)

Pri používaní nylonovej sečnej hlavy nainštalujte rozšírenie chrániča. Rozšírenie chrániča namontujte na montážnu plochu v spodnej časti chrániča. Posuňte ho do polohy, kým rozšírenie chrániča nezaklikne a nezablokuje sa v správnej polohe. Rozšírenie chrániča je navrhnuté tak, že na chránič sa dá namontovať iba v jednom smere. (Obr. 21)

#### POZNÁMKA:

- Pred prvým použitím odlepte pásku nalepenú na nôž, ktorým sa odsekne nylonová struna. (Obr. 22)



Pokiaľ chcete demontovať rozšírenie chrániča, použite plochý skrutkovač a zasuňte ho do malej drážky na blokovacom prvku. Pokiaľ chcete odblokovať rozšírenie chrániča, tlačte blokovací prvok pri súčasnom posúvaní spodného rozšírenia chrániča v smere vyznačenom na obrázku. Akonáhle sa rozšírenie chrániča začne posúvať, dôjde k jeho odblokovaniu a je možné ho ďalším posúvaním z chrániča demontovať.

## Inštalácia sečnej čepele

### ⚠ VÝSTRAHA:

- **Vonkajší priemer sečnej čepele musí byť 230 mm.** Nikdy nepoužívajte čepeľ s vonkajším priemerom väčším ako 230 mm.

### ⚠ UPOZORNENIE:

- Sečná čepeľ musí byť dobre vyhladená a nesmie obsahovať žiadne praskliny alebo zlomené miesta. Po každých troch hodinách prevádzky sečnú čepeľ vyleštíte alebo vymeníťe.
- Pri manipulácii so sečnou čepeľou vždy používajte rukavice.
- Pokiaľ sa náradie nepoužíva alebo počas jeho prepravy vždy nasadte kryt čepele.
- Upevňovacia matica sečnej čepele (spolu s pružinovou podložkou) predstavuje spotrebný tovar. Pokiaľ na pružinovej podložke zbadáte príznaky opotrebovania alebo deformácie, maticu vymeníťe. O objednanie požiadajte miestne autorizované servisné stredisko.

### POZNÁMKA:

- Používajte jedine originálnu náhradnú čepeľ značky Makita.

Náradie otočte naopak, aby ste mohli jednoduchým spôsobom reznú čepeľ vymeniť. **(Obr. 23)** Pokiaľ chcete demontovať sečnú čepeľ, zasuňte šesťhranný kľúč do otvoru na kryte chrániča a prevodovke. Otočte podložnou podložkou dokiaľ sa so šesťhranným kľúčom nezablokuje. Pomocou nástrčného kľúča uvoľnite šesťhrannú maticu (ľavotočivý závit) a demontujte maticu, kalich, upínaciu podložku a šesťhranný kľúč. **(Obr. 24)** Namontujte sečnú čepeľ na tyč tak, aby vodiaci prvok podložnej podložky zapadol do otvoru pre hriadeľa na sečnej čepeľi. Nainštalujte upínaciu podložku, kalich a reznú čepeľ zaisťte šesťhranným kľúčom na hodnotu krútiaceho momentu 13 až 23 Nm, a to pri súčasnom držaní podložnej podložky šesťhranným kľúčom. **(Obr. 25)** Presvedčte sa, že čepeľ smeruje ľavou stranou nahor.

## Inštalácia nylonovej sečnej hlavy

### ⚠ UPOZORNENIE:

- **Nylonovú sečnú hlavu používajte jedine s chráničom a s rozšírením chrániča na mieste.** V opačnom prípade môže dôjsť k vážnemu osobnému poraneniu.

### POZNÁMKA:

- Používajte originálnu nylonovú sečnú hlavu značky Makita.

Náradie otočte naopak, aby ste mohli jednoduchým spôsobom nylonovú sečnú hlavu vymeniť. **(Obr. 26)** Šesťhranný nástrčný kľúč zasuňte cez otvor v kryte chrániča a prevodovke a otáčajte podložnou podložkou

dokiaľ sa nezablokuje so šesťhranným nástrčným kľúčom. Nylonovú sečnú hlavu namontujte priamo na závitové vreteno a utiahnite otáčaním proti smeru hodinových ručičiek. Vyberte šesťhranný kľúč. Pokiaľ chcete demontovať nylonovú sečnú hlavu, otočte nylonovú sečnú hlavu v smere hodinových ručičiek pri súčasnom držaní podložnej podložky šesťhranným kľúčom.

### ⚠ UPOZORNENIE:

- **Pokiaľ počas prevádzky nylonová sečná hlava náhodne narazí na kameň alebo tvrdý predmet, kosačku je nutné zastaviť a skontrolovať ju z pohľadu poškodenia. Pokiaľ dôjde k poškodeniu nylonovej sečnej hlavy, je nutné ju okamžite vymeniť.** Používanie poškodenej sečnej hlavy môže mať za následok vážne osobné poranenie.

## PREVÁDZKA

### Správna manipulácia s náradím (BBC231U, BC231UD)

#### Správny postoj

### ⚠ VÝSTRAHA:

- **Náradie vždy umiestnite na svoju pravú stranu tak, aby tyč ľavej rukoväte bola vždy pred vami.** Správna poloha náradia umožňuje maximálne ovládanie a zníži riziko vážnych osobných poranení v dôsledku spätného nárazu.

Nasadte si postroj na plece, ako je to znázornené na obrázku a na svoju pravú stranu bezpečne zaveste náradie tak, aby tyč ľavej rukoväte bola vždy pred vami. **(Obr. 27)**

#### Pripojenie postroja na plece (Obr. 28)

Postroj na plece noste na svojom chrbte a sponu zatvorte dokiaľ nezačujete kliknutie. Presvedčte sa, že ho ľahom nedokázate dať dolu. Náradie zaveste podľa obrázku.

#### Odpojenie (Obr. 29)

Spona je vybavená prostriedkami slúžiacimi na rýchle uvoľnenie, ktoré možno zrealizovať jednoduchým stlačením strán spony.

### ⚠ VÝSTRAHA:

- **V tomto prípade buďte veľmi opatrní pri zachovaní ovládania náradia. Nedovoľte, aby sa náradie otočilo smerom k vám alebo smerom ku komukoľvek v okolí.** V opačnom prípade môže dôjsť k vážnemu úrazu.

#### Nastavenie polohy závesu a postroja na plece

Pri výmene príslušenstva za iné sa môže zmeniť vyváženie hmotnosti náradia. V takomto prípade upravte polohu závesu a dĺžku postroja na plece nasledujúcim spôsobom.

Ak chcete zmeniť polohu závesu, pomocou dodávaného kľúča uvoľnite upevňovaciu skrutku na závese a následne posuňte záves a polstrovanie. Polstrovanie sa dá jednoducho posúvať otáčaním.

Polohu závesu a postroja na plece nastavte tak aby:

- poloha závesu bola aspoň 750 mm od zeme,
- poloha sečného náradia bola 100 mm až 300 mm od zeme

- a poloha nechránenej časti sečného náradia bola v horizontálnom smere aspoň 750 mm od závesu. **(Obr. 30)**

Po nastavení polohy závesu utiahnite bezpečne kľúčom skrutku.

## Správna manipulácia s náradím (BBC300L, BC300LD)

### Správny postoj

#### ⚠ VÝSTRAHA:

- **Náradie vždy umiestnite na svoju pravú stranu tak, aby bariéra bola vždy pred vami.** Správna poloha náradia umožňuje maximálne ovládanie a zníži riziko vážnych osobných poranení v dôsledku spätného nárazu.

Ako je znázornené na obrázku, nasadíte popruh na plece na svoje ľavé plece tak, že svoju hlavu a pravé plece cez neho prevlečiete a náradie držte na svojej pravej strane pričom bariéra musí byť vždy pred vami. **(Obr. 31)**

### Pripojenie postroja na plece (Obr. 32)

Po nasadení postroja na plece ho môžete pripojiť k náradu pripojením pomocou spony, ktorou je vybavený hák na náradí aj postroj. Spony musia zakliknúť a dôkladne sa zablokovat' v správnej polohe.

### Odpojenie (Obr. 33)

Spona je vybavená prostriedkami slúžiacimi na rýchle uvoľnenie, ktoré možno zrealizovať jednoduchým stlačením strán spony.

#### ⚠ VÝSTRAHA:

- **Počas celej doby buďte veľmi opatrní pri zachovaní ovládania náradia. Nedovoľte, aby sa náradie otočilo smerom k vám alebo smerom ku komukolvek v okolí.** Opomenutie zachovať ovládanie náradia môže mať za následok vážne poranenie okolostojacich a obsluhy.

### Nastavenie polohy závesu a postroja na plece

Pri výmene príslušenstva za iné sa môže zmeniť vyváženie hmotnosti náradia. V takomto prípade upravte polohu závesu a dĺžku postroja na plece nasledujúcim spôsobom.

Ak chcete zmeniť polohu závesu, pomocou dodávaného kľúča uvoľnite upevňovaciu skrutku na závese a následne posuňte záves.

Polohu závesu a postroja na plece nastavte tak aby:

- poloha závesu musí bola aspoň 750 mm od zeme,
- poloha sečného náradia bola do 300 mm od zeme
- a poloha nechránenej časti sečného náradia bola v horizontálnom smere aspoň 750 mm od závesu. **(Obr. 34)**

Po nastavení polohy závesu utiahnite bezpečne kľúčom skrutku.

## ÚDRŽBA

#### ⚠ VÝSTRAHA:

- **Pred vykonaním kontroly alebo údržby náradia vždy skontrolujte, či je náradie vypnuté a akumulátor je vybratý.** Opomenutie vypnúť náradie a vybrať z náradia akumulátor môže mať pri náhodnom spustení za následok vážne osobné poranenia.

#### POZNÁMKA:

- Nepoužívajte benzín, riedidlo, alkohol ani nič podobné. Mohlo by to spôsobiť zmenu farby, deformácie alebo praskliny.

## Nanesenie maziva do prevodovky (Obr. 35)

Mazivo (Shell Alvania 2 alebo rovnocenné mazivo) naneste do prevodovky cez mazací otvor; mazanie vykonajte každých 30 hodín. (Originálne mazivo značky Makita si môžete zakúpiť u predajcu výrobkov značky Makita.)

## Výmena nylonovej struny

#### ⚠ VÝSTRAHA:

- **Pred vykonaním kontroly alebo údržby náradia vždy skontrolujte, či je náradie vypnuté a akumulátor je vybratý.** Opomenutie vypnúť náradie a vybrať z náradia akumulátor môže mať pri náhodnom spustení za následok vážne osobné poranenia.

- **Presvedčte sa, že kryt nylonovej sečnej hlavy je správne zaisťovaný v skriní, ako je to popísané nižšie.**

Opomenutie správne zabezpečiť kryt môže mať za následok odletenie nylonovej sečnej hlavy s

dôsledkom vážneho osobného poranenia. **(Obr. 36)**

Západy na puzdre stlačte dovnútra a kryt demontujte zdvihnutím nahor. Zvyšnú nylonovú strunu zneškodnite. **(Obr. 37)**

Stred nylonovej struny zaháčkujte do drážku v strednej časti cievky medzi 2 kanálikmi určenými pre nylonovú strunu. Jedna strana struny by mala byť asi o 80 mm dlhšia ako druhá.

Obidva konce pevne omotajte okolo cievky v smere vyznačenom na hlave pre ľavý smer ako LH. **(Obr. 38)**

Naviňte celé struny okrem 100 mm strún; tieto zvyšky dočasne zaháčkujte o zárez na boku cievky. **(Obr. 39)**

Cievku namontujte do skrine tak, aby drážky a výčnelky cievky súhlasili s drážkami a výčnelkami na skriní. Strana cievky s písmenami musí byť v vrchu. Teraz odháčkujte konce struny z dočasnej polohy a pretiahnite struny cez očka tak, aby vychádzali zo skrine. **(Obr. 40)**

Zarovnajte výčnelok na vnútornej strane krytu s otvormi očiek. Kryt pevne zatlačte na skriňu a zaisťujte ho.

Presvedčte sa, že západy sa úplne otvorili do krytu.

Ak chcete udržať BEZPEČNOSŤ a POĽAHLIVOSŤ výrobku, prenechajte opravy, údržbu a nastavenie na autorizované servisné centrá Makita, ktoré používajú len náhradné diely značky Makita.

## RIEŠENIE PROBLÉMOV

Pred požiadanim o vykonanie opravy najprv vykonajte vlastnú kontrolu. Ak zistíte problém, ktorý nie je vysvetlený v návode, nepokúšajte sa náradie rozoberať. Namiesto toho o opravu požiadajte autorizované servisné centrá spoločnosti Makita, ktoré používajú len náhradné diely značky Makita.

Stav poruchy	Príčina	Činnosť
Motor nebeží.	Nie je nainštalovaná kazeta akumulátora.	Nainštalujte kazetu akumulátora.
	Problém akumulátora (nízke napätie)	Akumulátor nabite. Pokiaľ nabíjanie nie je účinné, vymeňte akumulátor.
	Systém pohonu nefunguje správne.	O opravu požiadajte miestne autorizované servisné stredisko.
Motor po krátkom používaní zastane.	Otáčanie vo vratnom smere.	Pomocou vratného prepínača zmeňte smer otáčania.
	Nabitie akumulátora je slabé.	Akumulátor nabite. Pokiaľ nabíjanie nie je účinné, vymeňte akumulátor.
	Prehrievanie.	Prestaňte náradie používať a nechajte ho vychladnúť.
Nedosahuje hodnotu maximálnych otáčok za minútu.	Akumulátor nie je nainštalovaný správne.	Kazetu akumulátora nainštalujte podľa popisu v tomto návode.
	Výkon akumulátora klesá.	Akumulátor nabite. Pokiaľ nabíjanie nie je účinné, vymeňte akumulátor.
	Systém pohonu nefunguje správne.	O opravu požiadajte miestne autorizované servisné stredisko.
Sečné náradie sa neotáča: strojné zariadenie okamžite zastavte!	Medzi chráničom a nylonovou sečnou hlavou alebo sečnou čepeľou sa zasekol cudzí predmet ako je konár.	Cudzí predmet odstráňte.
	Je uvoľnená upevňovacia matica sečnej čepele.	Maticu správne utiahnite a podľa popisu v tomto návode.
	Sečná čepeľ je ohnutá.	Vymeňte sečnú čepeľ.
	Systém pohonu nefunguje správne.	O opravu požiadajte miestne autorizované servisné stredisko.
Neštandardné vibrácie: strojné zariadenie okamžite zastavte!	Jedna z nylonových strún sa roztrhla a hlava je nevyvážená.	Otáčajúcou sa nylonovou sečnou hlavou udríte o zem, čím dôjde k vysunutiu struny.
	Sečná čepeľ je ohnutá, prasknutá alebo opotrebovaná.	Vymeňte sečnú čepeľ.
	Je uvoľnená upevňovacia matica sečnej čepele.	Maticu správne utiahnite a podľa popisu v tomto návode.
	Sečná čepeľ je nesprávne upevnená.	
	Systém pohonu nefunguje správne.	O opravu požiadajte miestne autorizované servisné stredisko.
Sečné náradie a motor sa nezastavia: okamžite vyberte akumulátor!	Elektrická alebo elektronická chyba.	vyberte akumulátor a o opravu požiadajte miestne autorizované servisné stredisko.

010824

## VOLITEĽNÉ PRÍSLUŠENSTVO

### UPOZORNENIE:

- Tieto doplnky a príslušenstvo sú odporúčané pre použitie s náradím Makita, uvedeným v tomto návode. Používanie iného, než ako odporúčaného príslušenstva a doplnkov môže znamenať riziko úrazu osôb. Príslušenstvo používajte odporúčaným spôsobom a iba na účely, pre ktoré je určené.

Ak potrebujete pomoc a ďalšie podrobnosti ohľadom tohto príslušenstva, obráťte sa na vaše miestne servisné stredisko Makita.

- Sečná čepeľ
- Nylonová sečná hlava
- Tyčový doplnok krovinořezu na živé ploty (pre model BBC300L, BC300LD)
- Tyčový doplnok píly (pre model BBC300L, BC300LD)

- Doplnok kultivátora (pre model BBC300L, BC300LD)
- Originálny akumulátor a nabíjačka Makita

### POZNÁMKA:

- Niektoré položky zo zoznamu môžu byť súčasťou balenia náradia vo forme štandardného príslušenstva. Rozsah týchto položiek môže byť v každej krajine odlišný.

# ČESKY (Originální návod)

## Vysvětlení k celkovému pohledu

- |  |                        |                              |
|--|------------------------|------------------------------|
| 1. Červený indikátor   | 17. Knoflík            | 35. Miska                    |
| 2. Posuvné tlačítko  | 18. Přichytka držadla  | 36. Šestihranná matice       |
| 3. Blok akumulátoru  | 19. Podpěra držadla    | 37. Závitové vřetenno        |
| 4. Odjišťovací tlačítko                                      | 20. Tlačná pružina     | 38. Páčka                    |
| 5. Spoušť  | 21. Zábрана            | 39. Přezka                   |
| 6. Přepínač směru otáček                                     | 22. Rozpěrka           | 40. Závěs                    |
| 7. A – poloha přepínače při normálním provozu                | 23. Značka šipky       | 41. Mazací otvor             |
| 8. B – poloha přepínače při odstraňování plevele a odstřížků | 24. Nůž                | 42. Převodovka               |
| 9. Přepínač regulace otáček                                  | 25. Kryt               | 43. Kryt                     |
| 10. Kontrolka  | 26. Strunová hlava     | 44. Západky                  |
| 11. Nejeefektivnější vyžínací oblast                         | 27. Nástavec krytu     | 45. Stisknout                |
| 12. Kontrolky  | 28. Šroub              | 46. Cívka                    |
| 13. Tlačítko CHECK (kontrola)                                | 29. Patka              | 47. Pro levotočivý pohyb     |
| 14. Rukojeť  | 30. Dva šrouby         | 48. Výřezy                   |
| 15. Držadlo  | 31. Ochranný kryt      | 49. Očka                     |
| 16. Šroub  | 32. Imbusový klíč      | 50. Výčnělek (není zobrazen) |
|  | 33. Unášec             | 51. Drážka očka              |
|  | 34. Přítlačná podložka |                              |

## TECHNICKÉ ÚDAJE

Model		BBC231U/BC231UD	
Typ držadla		Řídková držadla	
Otáčky bez zatížení	Vysoké	0–7 300 min <sup>-1</sup>	
	Nízké	0–5 300 min <sup>-1</sup>	
Celková délka		1 880 mm	
Průměr nože		230 mm	
Čistá hmotnost		7,1 kg	
Jmenovité napětí		36 V ss	
Standardní blok akumulátoru a nabíječka ⚠ Vždy dodržujte kombinace akumulátoru a nabíječky uvedené ve sloupcích vpravo.		BL3626 DC36RA	BL3622A DC36WA

Model		BBC300L/BC300LD	
Typ držadla		Obloukové držadlo	
Otáčky bez zatížení	Vysoké	0–6 600 min <sup>-1</sup>	
	Nízké	0–4 900 min <sup>-1</sup>	
Celková délka		1 850 mm	
Průměr vysekávané plochy se strunovou hlavou		300 mm	
Čistá hmotnost		5,9 kg	
Jmenovité napětí		36 V ss	
Standardní blok akumulátoru a nabíječka ⚠ Vždy dodržujte kombinace akumulátoru a nabíječky uvedené ve sloupcích vpravo.		BL3626 DC36RA	BL3622A DC36WA

- Díky našemu trvalému programu výzkumu a vývoje mohou být zde uvedené specifikace změněny i bez předchozího upozornění.
- Technické údaje a blok akumulátoru se mohou v různých zemích lišit.
- Hmotnost s blokem akumulátoru dle EPTA – Procedure 01/2003

Hlučnost	Průměrná hladina akustického tlaku		Příslušná norma
	Model	$L_{PA}$ (dB (A))	
BBC231U/BC231UD	79,7	2,5	ISO22868
BBC300L/BC300LD	79,3	2,5	EN786

- Přestože je výše uvedená hladina akustického tlaku 80 dB (A) či méně, může tato hodnota při zatížení hladinu 80 dB (A) překročit. Používejte ochranu sluchu.

Vibrace	Levá ruka		Pravá ruka		Příslušná norma
	Model	$a_h$ (m/s <sup>2</sup> )	Nejistota K (m/s <sup>2</sup> )	$a_h$ (m/s <sup>2</sup> )	
BBC231U/BC231UD	$\leq 2,5$	1,5	$\leq 2,5$	1,5	ISO22867, EN786
BBC300L/BC300LD	$\leq 2,5$	1,5	$\leq 2,5$	1,5	EN786

ENG901-1


- Deklarovaná hodnota emisí vibrací byla změněna v souladu se standardní testovací metodou a může být využita ke srovnávání nářadí mezi sebou.
- Deklarovanou hodnotu emisí vibrací lze rovněž využít k předběžnému posouzení vystavení jejich vlivu.

### ⚠ VÁROVÁNÍ:


- Emise vibrací během skutečného používání elektrického nářadí se mohou od deklarované hodnoty emisí vibrací lišit v závislosti na způsobu použití nářadí.
- Na základě odhadu vystavení účinkům vibrací v aktuálních podmínkách zajistíte bezpečnostní opatření k ochraně obsluhy (vezměte v úvahu všechny části pracovního cyklu, mezi něž patří kromě doby pracovního nasazení i doba, kdy je nářadí vypnuto nebo pracuje ve volnoběhu).


### Symbole END008-4

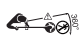
V popisu jsou využity následující symboly. Před použitím zařízení se ujistěte, zda rozumíte jejich významu.


 ..... Buďte obzvláště opatrní a dávejte pozor.


 ..... Přečtěte si návod k obsluze.


 ..... Nebezpečí – pozor na odmrštěné předměty.

 ..... Vzdálenost mezi zařízením a okolostojícími osobami musí být alespoň 15 m.


 ..... Nepracujte v blízkosti okolostojících osob.


 ..... Dodržujte alespoň 15m vzdálenost.


 ..... Zamezte zpětnému rázu.

 ..... Používejte přilbu, brýle a ochranu sluchu.

 ..... Používejte ochranné rukavice.

 ..... Noste pevnou obuv s protiskluzovou podrážkou. Doporučujeme bezpečnostní obuv s ocelovou špičkou.

 ..... Zařízení nevystavujte vlhkosti.

 ..... Nejvyšší povolené otáčky nástroje.



Jen pro státy EU

Elektrická zařízení ani akumulátory nelikvidujte současně s domovním odpadem!

Vzhledem k dodržování evropské směrnice 2012/19/EU o odpadních elektrických a elektronických zařízeních, směrnice 2006/66/ES o bateriích, akumulátorech a odpadních bateriích a akumulátorech s jejich implementací v souladu s národními zákony musí být elektrická zařízení a bloky akumulátorů po skončení životnosti odděleně shromážděny a předány do ekologicky kompatibilního recyklačního zařízení.

**Pouze pro evropské země**

ENH035-4

**ES prohlášení o shodě**

**Společnost Makita Corporation jako odpovědný výrobce prohlašuje, že níže uvedené zařízení:**

Popis zařízení:

Akumulátorový křovinořez

Č. modelu/typ: BBC231U, BC231UD

Technické údaje: viz tabulka „TECHNICKÉ ÚDAJE“.

vychází ze sériové výroby

**a vyhovuje následujícím evropským směrnicím:**

2000/14/ES, 2006/42/ES

a bylo vyrobeno v souladu s následujícími normami či normativními dokumenty:

EN/ISO11806, EN60745

Technická dokumentace je k dispozici na adrese:

Makita International Europe Ltd.

Technical Department,

Michigan Drive, Tongwell,

Milton Keynes, Bucks MK15 8JD, Anglie

Postup posuzování shody vyžadovaný směrnicí

2000/14/ES byl v souladu s přílohou V.

Naměřená hladina akustického výkonu: 93,6 dB (A)

Zaručená hladina akustického výkonu: 95 dB (A)

2. 10. 2012

Tomoyasu Kato

Reditel

Makita Corporation

3-11-8, Sumiyoshi-cho,

Anjo, Aichi, 446-8502, JAPAN

Popis zařízení:

Akumulátorová strunová sekačka

Č. modelu/typ: BBC300L, BC300LD

Technické údaje: viz tabulka „TECHNICKÉ ÚDAJE“.

vychází ze sériové výroby

a vyhováří následujícím evropským směrnici:

2000/14/ES, 2006/42/ES

a bylo vyrobeno v souladu s následujícími normami či

normativními dokumenty:

EN709, EN/ISO10517, EN/ISO11680, EN/ISO11806,

EN60745

Technická dokumentace je k dispozici na adrese:

Makita International Europe Ltd.

Technical Department,

Michigan Drive, Tongwell,

Milton Keynes, Bucks MK15 8JD, Anglie

Postup posuzování shody vyžadovaný směrnicí

2000/14/ES byl proveden v souladu s přílohou VIII.

Notifikovaná organizace:

TÜV Rheinland LGA Products GmbH

Tillystraße 2

90431 Nürnberg, Německo

Identifikační číslo 0197

Naměřená hladina akustického výkonu: 91,3 dB (A)

Zaručená hladina akustického výkonu: 93 dB (A)

Číslo certifikátu ES přezkoušení typu jako tyčové pily s

nástavcem tyčové pily:

4811008.12016

ES přezkoušení typu dle 2006/42/ES provedla

společnost:

DEKRA Testing and Certification GmbH

Enderstraße 92b

01277 Dresden, Německo

identifikační č. 2140

2. 10. 2012



Tomoyasu Kato

Ředitel

Makita Corporation

3-11-8, Sumiyoshi-cho,

Anjo, Aichi, 446-8502, JAPAN

## DŮLEŽITÉ BEZPEČNOSTNÍ POKYNY

GE0068-3

**⚠ VAROVÁNÍ!** Přečtěte si veškerá bezpečnostní upozornění a všechny pokyny. Zanedbání dodržování upozornění a pokynů může mít za následek úraz elektrickým proudem, vznik požáru nebo vážné zranění.

### Všechna upozornění a pokyny si uschovejte k dalšímu použití.

#### Účel použití

1. Akumulátorový křovinořez/strunová sekačka je určena pouze k sekání trávy, plevele, křovin a mlází. Zařízení

nesmí být používáno k žádnému jinému účelu, například k zastřihování či stříhání živých plotů, neboť by mohlo dojít ke zranění.

#### Obecné pokyny

1. Nikdy nedovolte, aby nářadí používaly osoby neobeznamené s těmito pokyny a osoby (včetně dětí) s omezenými fyzickými, smyslovými či duševními schopnostmi nebo s nedostatečnými zkušenostmi a znalostmi. Na děti je třeba dohlédnout, aby si s nářadím nehrály.
2. Před spuštěním nářadí si přečtěte tento návod k obsluze a obeznamte se s jeho obsluhou.
3. Nářadí nepůjčujte osobám s nedostatečnými zkušenostmi či znalostmi obsluhy křovinořezů či strunových sekaček.
4. Při půjčování nářadí vždy přiložte i tento návod k obsluze.
5. Nářadí používejte vždy s maximální opatrností a pozorností.
6. S nářadím nikdy nepracujte po požití alkoholu či léků a ani pokud jste unavení či nemocní.
7. Nářadí se nikdy nepokoušejte upravovat.
8. Při práci dodržujte směrnice k obsluze křovinořezů a strunových sekaček platné ve vaší zemi.

#### Osobní ochranné pomůcky (Obr. 1)

1. Noste bezpečnostní helmu, ochranné brýle a ochranné rukavice – chraňte se před odlétávajícími třískami a padajícími předměty.
2. K zamezení ztráty sluchu používejte ochranu sluchu (ochranná sluchátka).
3. Noste vhodný oděv a obuv umožňující bezpečnou práci (pracovní kombinézu a pevnou obuv s protiskluzovou podrážkou). Nenoste volný oděv a šperky. Volný oděv, šperky či dlouhé vlasy mohou být pohyblivými součástmi zachyceny.
4. Při manipulaci s nožem noste ochranné rukavice. Nechráněné ruce si můžete o nože vážně poranit.

#### Bezpečnost na pracovišti

1. S nářadím pracujte pouze při dobré viditelnosti a za denního světla. Nepracujte ve tmě či v mlze.
2. S nářadím nepracujte v prostředí s výbušnou atmosférou, například s výskytem hořlavých kapalin, plynů či prachu. Nářadí vytváří jiskry, jež mohou prach nebo výpary zažehnout.
3. Při práci nikdy nestůjte na nestabilních či kluzkých plochách ani na strmých svazích. Za chladného počasí dejte pozor na led či sníh a vždy si zajistěte bezpečný postoj.
4. S nářadím pracujte ve vzdálenosti alespoň 15 m od zvířat nebo přihlížejících osob. Zpozorujete-li, že se k vám někdo blíží, nářadí co nejdříve vypněte.
5. Před zahájením práce prohlédněte pracoviště a uvědomte si výskyt kamenů či jiných pevných objektů. Mohlo by dojít k jejich odmrštění nebo vyvolání nebezpečného zpětného rázu s následkem vážného zranění či škody na majetku.
6. **⚠ VAROVÁNÍ!** Používáním zařízení můžete zvířít prach obsahující chemikálie, jež mohou způsobit dýchací či jiná onemocnění. Mezi takové chemikálie mohou patřit například sloučeniny nacházející se v pesticidech, insekticidech, hnojivech a herbicidech. Riziko spojené s expozicí se liší podle toho, jak často tento typ práce provádíte. Omezte kontakt s těmito

chemikáliemi: Pracujte v dobře větraných prostorách a používejte schválené bezpečnostní vybavení, jako jsou například protiprachové masky určené speciálně k odfiltrování mikročástic.

### **Elektrická bezpečnost a bezpečnost akumulátorů**

1. Nářadí nevystavujte dešti a vlhku. Vnikne-li do nářadí voda, zvýší se nebezpečí úrazu elektrickým proudem.
2. Nářadí nepoužívejte, jestliže vypínač nezapíná a nevypíná. Každé zařízení s nefunkčním vypínačem je nebezpečné a musí být opraveno.
3. Zamezte nechtěnému spuštění. Před nasazováním akumulátoru, zvedáním či přenášením nářadí se ujistěte, zda je přepínač ve vypnuté poloze. Přenášení nářadí s prstem na přepínači nebo připojování ke zdroji energie se zapnutým přepínačem může způsobit úraz.
4. Nabíjení provádějte pouze pomocí nabíječky určené výrobcem. Nabíječka vhodná pro jeden typ akumulátoru může při použití s jiným blokem akumulátoru vyvolat nebezpečí požáru.
5. V nářadí používejte pouze konkrétně určené bloky akumulátorů. Použití jiných bloků akumulátorů může vyvolat nebezpečí zranění a požáru.
6. Není-li blok akumulátoru používán, uložte jej v místě bez kovových předmětů, jimiž jsou například kancelářské sponky, mince, klíče, hřebíky, šrouby či jiné drobné kovové předměty, jež by mohly spojit kontakty. Zkratování kontaktů akumulátoru může způsobit popáleniny či požár.
7. Při nesprávném zacházení může z akumulátoru uniknout kapalina – zamezte kontaktu s touto látkou. Dojde-li k nechtěnému kontaktu, omyjte zasažené místo vodou. Při zasažení očí vyhledejte lékařskou pomoc. Kapalina z akumulátoru může způsobit podráždění či poleptání.

### **Uvedení do provozu**

1. Před sestavováním či seřizováním nářadí vyjměte blok akumulátoru.
2. Před manipulací s nožem si nasadte ochranné rukavice.
3. Před nainstalováním bloku akumulátoru zkontrolujte, zda není nářadí poškozeno, zda nemá povolené šrouby či matice a zda není nesprávně sestaveno. Tupý nůž naostřete. Jestliže je nůž ohnutý nebo poškozený, vyměňte jej. Zkontrolujte volný pohyb všech ovládacích páček a spínačů. Držadla vyčistěte a vysušte.
4. Nikdy se nepokoušejte zapínat poškozené či nekompletně sestavené nářadí. V opačném případě může dojít k vážným zraněním.
5. Před zapnutím nářadí odstraňte všechny seřizovací klíče. Klíč zapomenutý v rotační části nářadí může způsobit úraz.
6. Zádový postroj a držadlo upravte tak, aby vyhovovaly postavě obsluhy.
7. Při vkládání bloku akumulátoru držte sekací nástavec od těla a mimo kontakt s jinými předměty včetně terénu. Při startování se může dát do pohybu a způsobit zranění či škody na nářadí nebo na majetku.

### **Provoz**

1. V případě nouze nářadí okamžitě vypněte.

2. Jestliže při provozu zpozorujete něco neobvyklého (např. hluk, vibrace), nářadí vypněte. Do rozpoznání a odstranění příčiny nářadí nepoužívejte.
3. Sekací nástavec se po vypnutí nářadí ještě kratší dobu otáčí. Vyčkejte a sekací nástavec se nedotýkejte.
4. Při práci vždy využívejte zádový postroj. Nářadí držte pevně po pravém boku.
5. Nepřeceňujte vlastní schopnosti. Vždy zaujměte pevný postoj bez ztráty rovnováhy. Dávejte pozor na skryté překážky jako jsou například pařezy, kořeny či výmoly, abyste neklopýtli.
6. Nikdy nepracujte na žebříku či na stromě, abyste nad zařízeními neztratili kontrolu.
7. Jestliže nářadí utrpí prudký náraz nebo pokud upadne, zkontrolujte před obnovením práce jeho stav. Zkontrolujte, za nedošlo k poruše ovládacích prvků a bezpečnostních zařízení. V případě zjištění poškození či v pochybnostech požádejte o prohlídku a opravu naše autorizované servisní středisko.
8. Nedotýkejte se převodovky. Provozem zahřátá převodovka je horká.
9. Odpočívajte – zamezte tak ztrátě kontroly vinou únavy. Doporučujeme 10–20minutový odpočinek po každé hodině práce.
10. Jestliže se od nářadí třeba jen na chvíli vzdálíte, vždy vyjměte blok akumulátoru. Nářadí s nasazeným akumulátorem ponechané bez dozoru by mohly použít neoprávněné osoby a může tak dojít k vážné nehodě.
11. Jestliže se mezi sekací nástavec a kryt zachytí tráva či větve, vypněte vždy před jejich odstraňováním nářadí a vyjměte z něj blok akumulátoru. Nechtěné uvedení sekacího nástavce do pohybu by mohlo způsobit vážné zranění.
12. Jestliže sekací nástavec narazí do kamenů či jiných tvrdých předmětů, nářadí ihned vypněte. Vyjměte blok akumulátoru a zkontrolujte sekací nástavec.
13. Sekací nástavec při provozu často kontrolujte, zda není popraskaný či poškozený. Před prováděním prohlídky vyjměte blok akumulátoru a počkejte, až se sekací nástavec zcela zastaví. Poškozený sekací nástavec ihned vyměňte, i kdyby měl jen povrchové praskliny.
14. Nikdy nepracujte nad úroveň pasu.
15. Před zahájením práce vyčkejte, až sekací nástavec po zapnutí nářadí dosáhne konstantních otáček.
16. Při používání kovových nožů otáčejte nářadím rovnoměrně v půlkruzích zprava doleva, podobně jako při práci s kosou.

### **Sekací nástavec**

1. Pro vykonávanou práci použijte příslušný sekací nástavec.
  - Strunové hlavy (s nylonovou sekací strunou) jsou vhodné k sekání trávniku.
  - Kovové nože se hodí k sekání plevele, vysoké trávy, křovin, keřů, mláží, houští apod.
  - Nikdy nepoužívejte žádné jiné nástroje včetně kovových vícedílných řetízkových hlav a cepových nožů. Mohlo by dojít k vážnému zranění.
2. Vždy použijte správně nasazený kryt sekacího nástavce odpovídající použitému sekacímu nástavci.
3. Při práci s kovovými noži dávejte pozor na „zpětné rázy“ a na náhodný zpětný ráz buďte vždy připraveni. Viz část „Zpětný ráz“.



## Zpětný ráz (odskočení nože)

1. Zpětný ráz (odskočení nože) je náhlou reakcí na skřípnutí či zaseknutí nože. Jestliže ke zpětnému rázu dojde, může být nářadí značnou silou odmrštěno stranou či směrem k obsluze a může způsobit vážné zranění.
2. Ke zpětnému rázu dochází zvláště při práci nože v segmentu mezi 12. a 2. hodinou a kontaktu s pevnou překážkou, křovínamy či kmeny o průměru 3 cm či více. **(Obr. 2)**
3. Jak zamezit zpětnému rázu:
  - pracujte v segmentu mezi 8. a 11. hodinou,
  - nikdy nepracujte v segmentu mezi 12. a 2. hodinou,
  - nikdy nepracuje v segmentu mezi 11. a 12. hodinou a mezi 2. a 5. hodinou, výjimku tvoří dobře školená a zkušena obsluha pracující takto na vlastní nebezpečí,
  - nože nikdy nesměřujte na pevné objekty jako ploty, zdi, pařezy či kameny,
  - s noži nikdy nepracujte svise – k zařezávání či zastříhování živých plotů. **(Obr. 3)**

## Vibrace

1. Osoby se slabším krevním oběhem vystavené přílišným vibracím mohou utrpět zranění cévního či nervového systému. Vibrace mohou na prstech, rukou či zápěstích vyvolat následující příznaky: „ochablost“ (necitlivost), mravenčení, bolest, bodavá bolest, změna barvy či stavu pokožky. Trpíte-li jakýmkoli z těchto příznaků, vyhledejte lékaře!
2. K zamezení vzniku oběhových problémů (Reynaudovy choroby) udržujte ruce při práci v teple a zajistěte dobrou údržbu nářadí i příslušenství.

## Transport

1. Před transportem nářadí vypněte a vyjměte z něj blok akumulátoru. Na nůž nasadte kryt.
2. Při přenášení uchopte nářadí za hřidelovou tyč a držte jej ve vodorovné poloze.
3. Při transportu ve vozidle nářadí řádně zabezpečte, aby se nepřevracelo. Mohlo by dojít k poškození nářadí nebo jiného nákladu ve vozidle.

## Údržba

1. Servis nářadí světe našemu autorizovanému servisnímu středisku a vždy používejte pouze originální náhradní díly. Nesprávně provedené opravy či nedostatečná údržba mohou zkrátit životnost nářadí či zvýšit nebezpečí nehody.
2. Před prováděním jakékoli údržby či oprav nebo před čištěním nářadí vždy vypněte motor a vyjměte z něm blok akumulátoru.
3. Při manipulaci s nožem vždy používejte ochranné rukavice.
4. Z nářadí vždy odstraňujte prach a nečistoty. K čištění nikdy nepoužívejte benzin, benzen, ředidlo, alkohol ani podobné prostředky. Mohlo by dojít ke změně barvy, deformacím či popraskání plastových dílů.
5. Po každém použití dotáhněte všechny šrouby a matice.
6. Nepokoušejte se provádět žádnou údržbu či opravy, jež nejsou popsány v tomto návodu k obsluze. Takové práce světe našemu autorizovanému servisnímu středisku.
7. Vždy používejte pouze naše originální náhradní díly a příslušenství. Používání dílů či nástavců dodaných

jiným výrobcem může způsobit selhání nářadí, škody na majetku a vážná zranění.

8. Kontrolu a údržbu nářadí nechte provádět pravidelně provádět v našem autorizovaném servisním středisku.

## Skladování

1. Před skladováním nářadí důkladně vyčistěte a proveďte potřebnou údržbu. Vyjměte blok akumulátoru. Na nůž nasadte kryt.
2. Nářadí skladujte na suchém, vyvýšeném a uzamykatelném místě mimo dosah dětí.
3. Nářadí nikdy o nic neopírejte (např. o stěnu). Mohlo by spadnout a způsobit zranění.

## První pomoc

1. Vždy mějte po ruce lékárníčku. Použitý obsah lékárníčky je nutno okamžitě nahradit.
2. Při přivolávání pomoci poskytněte následující informace:
  - Uveďte místo nehody
  - Co se stalo
  - Počet zraněných osob
  - Specifikujte povahu zranění
  - Uveďte své jméno

## TYTO POKYNY SI USCHOVEJTE.



### VAROVÁNÍ:

**NEDOVOLTE, aby pohodlnost nebo pocit znalosti výrobku (získaný na základě opakovaného používání) vedly k zanedbání dodržování bezpečnostních pravidel platných pro tento výrobek. NESPRÁVNÉ POUŽÍVÁNÍ nebo nedodržení bezpečnostních pravidel uvedených v tomto návodu k obsluze může způsobit vážné zranění.**

## DŮLEŽITÉ BEZPEČNOSTNÍ POKYNY

ENC007-7

## POKYNY K BLOKU AKUMULÁTORU

1. Před použitím bloku akumulátoru si přečtěte veškeré pokyny a výstražná značení na (1) nabíječe akumulátoru, (2) akumulátoru a (3) produktu využívajícím akumulátor.
2. Blok akumulátoru nedemontujte.
3. Jestliže dojde k přílišnému zkrácení provozní doby, přestaňte zařízení ihned používat. Mohlo by nastat nebezpečí přehřátí, popálení či dokonce výbuchu.
4. Při vniknutí elektrolytu do očí je okamžitě vypláchněte čistou vodou a neprodleně vyhledejte lékařskou pomoc. Mohlo by dojít ke ztrátě zraku.
5. Blok akumulátoru nezkratujte:
  - (1) Konektorů se nedotýkejte žádnými vodivými materiály.
  - (2) Blok akumulátoru neskladujte ve schránkách s jinými kovovými předměty, například s hřebíky, mincemi apod.
  - (3) Blok akumulátoru nevystavujte vodě či dešti.Zkratování akumulátoru může vyvolat značný proudový nárůst, přehřátí, možnost popálení či dokonce poruchy.



- Nářadí a blok akumulátoru neskladujte v místech, kde může teplota dosáhnout či překročit hodnotu 50 °C.
- Akumulátor nevhazujte do ohně, ani v případě, kdy je vážně poškozen či zcela opotřeben. Akumulátor může v ohni explodovat.
- Buďte opatrní a akumulátor chraňte před pádem a nárazy.
- Poškozený akumulátor nepoužívejte.

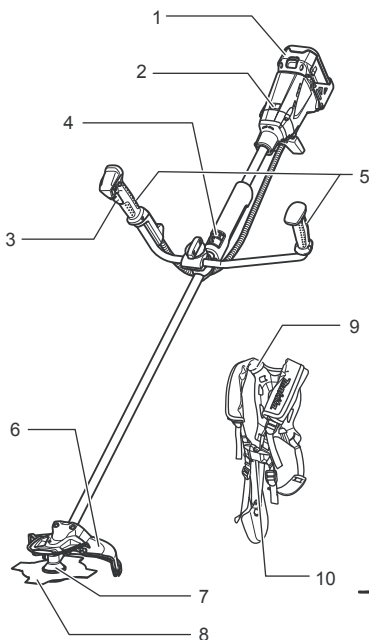
## Tipy k uchování maximální životnosti akumulátoru

- Akumulátor nabíjejte ještě před úplným vybitím. Jakmile si povšimnete nižšího výkonu, zařízení vždy vypněte a blok akumulátoru nabíjete.
- Nikdy nedobíjete zcela nabitý blok akumulátoru. Přebíjení zkracuje životnost akumulátoru.
- Blok akumulátoru nabíjejte při pokojové teplotě 10–40 °C. Jestliže je akumulátor horký, nechte jej před nabíjením vychladnout.
- Nebudete-li nářadí delší dobu používat, nabíjete jednou za šest měsíců blok akumulátoru.

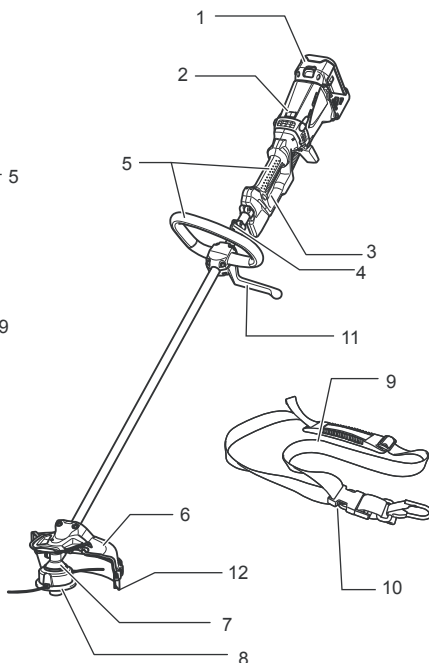
## TYTO POKYNY SI USCHOVEJTE.

## POPIS ČÁSTÍ

BBC231U / BC231UD



BBC300L / BC300LD



1	Blok akumulátoru	7	Převodovka
2	Kontrolka	8	Vyžínací nástroj
3	Spoušť	9	Zádový postroj
4	Závěs (místo zavěšení)	10	Přezka
5	Rukojeť	11	Zábrana
6	Kryt (kryt sekacího nástavce)	12	Nástavec krytu

013124

## POPIS FUNKCE

### ⚠ VAROVÁNÍ:

- Před nastavením či kontrolou funkce se vždy ujistěte, zda je nářadí vypnuté a zda je vyjmut blok akumulátoru. Jestliže nářadí nevympnete a nevyjmete z

něj akumulátor, může po náhodném spuštění dojít k vážnému zranění.

## Instalace či vyjmutí bloku akumulátoru (Obr. 4)

### ⚠ UPOZORNĚNÍ:

- Před nasazením či sejmutím bloku akumulátoru nářadí vždy vypněte.
- **Při snímání či nasazování bloku akumulátoru pevně držte nářadí i akumulátor.** V opačném případě vám může nářadí nebo akumulátor vyklouznout z rukou a mohlo by dojít k jejich poškození či ke zranění.

Jestliže chcete blok akumulátoru vyjmout, vysuňte jej z nářadí při současném přesunutí tlačítka k přední straně akumulátoru.

Při instalaci akumulátoru vyrovnejte jazýček na bloku akumulátoru s drážkou v krytu a zasuňte akumulátor na místo. Akumulátor zasuňte na doraz, až zacvakne na místo. Není-li tlačítko zcela zajištěno, uvidíte na jeho horní straně červený indikátor.

### ⚠ UPOZORNĚNÍ:

- Akumulátor zasunujte vždy zcela tak, aby nebyl červený indikátor vidět. Jinak by mohl akumulátor ze zařízení vypadnout a způsobit zranění obsluze či přihlížejícím osobám.
- Blok akumulátoru nenaszujte násilím. Nelze-li akumulátor zasunout snadno, nevkládáte jej správně.

## Funkce vypínače

### ⚠ VAROVÁNÍ:

- **Před vložením akumulátoru do nářadí vždy zkontrolujte správnou funkci spouště a zda se spouští po uvolnění vrací do vypnuté polohy. Nemačkejte spoušť silou bez stisknutí odjišťovacího tlačítka. Mohlo by dojít k poškození spínače.** Používání nářadí bez správně fungujícího spínače může vést ke ztrátě kontroly a vážnému zranění. (Obr. 5 a 6)

Jako prevence náhodného stisknutí spouště je k dispozici odjišťovací tlačítko. Nářadí spustíte stisknutím odjišťovacího tlačítka a spouště. Otáčky zařízení se zvyšují zvyšováním tlaku na spoušť. Vypnutí provedete uvolněním spouště.

## Přepínač směru otáček k odstranění odstřížků (Obr. 7 a 8)

Nářadí je opatřeno přepínačem směru otáček sloužícím pouze ke změně směru otáčení za účelem odstranění plevele a odstřížků zamotaných do výžinacího nástroje. Při normálním provozu stiskněte přepínač na straně „A“. Pokud chcete odstranit plevel a odřezky zaseknuté v rotační hlavici, můžete obrátit směr otáček stisknutím přepínače na straně „B“. V režimu obrácených otáček bude nářadí pracovat pouze chvíli a pak se automaticky vypne.

### ⚠ VAROVÁNÍ:

- **Před odstraňováním plevele či odřezků zachycených v nářadí, jež nelze odstranit přepnutím směru otáček, zajistěte vypnutí zařízení a vyjmutí akumulátoru.** Jestliže nářadí nevypnete a nevyjmete z něj akumulátor, může po náhodném spuštění dojít k vážnému zranění.

### POZNÁMKA:

- Před zahájením provozu vždy zkontrolujte nastavený směr otáček.
- S přepínačem směru otáček manipulujte teprve potom, až se nářadí zcela zastaví. Změnou směru otáček před zastavením nářadí můžete způsobit jeho poškození.

## Regulace otáček (Obr. 9 a 10)



Přepínačem regulace otáček lze předvolit dva rozsahy otáček.

Přepnutím přepínače regulace otáček do polohy „1“ nastavíte nářadí na rozsah nízkých otáček a přepnutím do polohy „2“ na rozsah vyšších otáček.

## Ochranný systém akumulátoru/motoru

Blok akumulátoru i nářadí jsou vybaveny ochrannými prvky, jež při přetížení a možném poškození nářadí či akumulátoru automaticky snižují výkon nebo vypnou nářadí. Jestliže se nářadí přetížilo a nedojde k jeho zablokování, aktivuje se prvek ochrany motoru, jenž omezí otáčky. V takovém případě se dvě kontrolky popsané v níže uvedeném tabulce nerozsvítí nebo budou blikat.

Všechny ostatní ochranné funkce lze určit podle kontrolky popsaných v níže uvedené tabulce. (Obr. 11)

		Stav	Potřebné opatření
-	Bliká	Energie akumulátoru je téměř vyčerpána.	Vyměňte akumulátor za plně nabitý.
-	Svítlí	Ochrana akumulátoru vypnula napájení – energie akumulátoru je vyčerpána.	Vyměňte akumulátor za plně nabitý.
Bliká	-	Ochrana přetížení vypnula napájení – motor se zablokoval.	Uvolněte spoušť a odstraňte příčinu zablokování motoru nebo přetížení. Jestliže je výžinací nástroj zamotan do plevele či podobného materiálu, vždy vyjměte před vyčištěním blok akumulátoru.
Svítlí	-	Ochrana proti přehřátí vypnula napájení – došlo k přehřátí.	Nechteje zařízení chvíli vychladnout.
Bliká	Bliká	Elektrická nebo elektronická porucha	Předejte zařízení k opravě v místním autorizovaném servisním středisku.

## Strunová hlava (volitelné příslušenství k výrobku dodanému s nožem)

### POZNÁMKA:

- Jestliže zařízení pracuje ve vysokých otáčkách, nesnažte se vysunout delší strunu klepnutím hlavy o zem. Vysunutí struny klepnutím ve vysokých otáčkách může způsobit poškození strunové hlavy.
- Vysunutí struny klepnutím nebude fungovat správně, pokud se hlava neotáčí. (Obr. 12)

Strunová hlava je vyžínací dvoustrunná hlava s mechanismem posouvání struny klepnutím o zem. Chcete-li vysunout strunu, musíte strunovou hlavou klepnout v nízkých otáčkách o zem. Při automatickém posunu se nylonová struna přizpůsobí na správnou délku poží umístěnými v nástavci krytu.

### POZNÁMKA:

Pokud se nylonová struna klepnutím hlavy nevysune, převíňte či vyměňte nylonovou strunu podle postupu popsaneho v části „Údržba“.

## Indikátor zbývajících kapacity akumulátoru (pouze u modelů s akumulátorem BL3622A)

Akumulátor BL3622A je vybaven indikátorem zbývajících kapacity. (Obr. 13)

Zbývajících kapacitu akumulátoru zjistíte stisknutím tlačítka CHECK (kontrola). Kontrolky indikátoru se asi na tři vteřiny rozsvítí.

Kontrolky	Zbývajících kapacita
 Svítlí      Nesvítlí      Bliká	
 E      F	70 až 100 %
	45 až 70 %
	20 až 45 %
	0 až 20 %
	Nabijte akumulátor.
	Došlo pravděpodobně k poruše akumulátoru.

011713

- Pokud bliká pouze nejnižší kontrolka (v blízkosti symbolu „E“) nebo jestliže nesvítlí žádná z kontrolkek indikátoru, je kapacita akumulátoru vyčerpána a nářadí nebude pracovat. V takovém případě akumulátor nabijte nebo vybitý akumulátor nahraďte zcela nabitým.
- Jestliže se po dokončení nabíjení dvě nebo více kontrolkek indikátoru přesto nerozsvítí, dosáhl akumulátor konce své životnosti.
- Svítlí-li střídavě horní a dolní dvě kontrolky indikátoru, došlo pravděpodobně k poruše akumulátoru. Obráťte se na místní autorizované servisní středisko Makita.

### POZNÁMKA:

- Během používání nebo bezprostředně po použití nářadí může být kapacita udávaná indikátorem nižší než skutečná.
- Kapacita udávaná indikátorem se může mírně lišit od kapacity skutečné v závislosti na podmínkách používání a teplotě prostředí.

## MONTÁŽ

### ⚠ VAROVÁNÍ:

- Před prováděním jakýchkoli prací na zařízení se vždy ujistěte, zda je nářadí vypnuté a zda je vyjmut blok akumulátoru.** Jestliže nářadí nevympnete a nevyjmete z něj akumulátor, může po náhodném spuštění dojít k vážnému zranění.
- Nářadí nikdy nestartujte, jestliže není kompletně sestaveno.** Při práci s nekompletně sestaveným nářadím může po náhodném spuštění dojít k vážnému zranění.

## Montáž držadla

### Informace o modelu BBC231U, BC231UD

Tyč držadla nasadíte podle obrázku do rukojeti. Otvor pro šroub v rukojeti vyrovnejte s otvorem v tyči. Šroub pevně dotáhněte. (Obr. 14)

Povolte knoflík.

Držadlo umístěte mezi příchytku a podpěru držadla.

Držadlo nastavte do úhlu umožňujícího pohodlnou pracovní polohu a pak jej pevně zajistěte ručním dotažením knoflíku. (Obr. 15)

### Informace o modelu BBC300L, BC300LD (Obr. 16)

Zábranu a rukojeť upevněte k nosné tyči čtyřmi šrouby. Ujistěte se, zda je mezi rozpěrkou a značkou šipky nasazena sestava rukojeti/zábrany.

Zábranu usadte po levé straně nářadí. Potom dotáhněte čtyři šrouby, aby se sestava rukojeti/zábrany na nosné tyči nepohybovala ani neotáčela.

### ⚠ VAROVÁNÍ:

- Rozpěrku nesnímejte a nezmenšujte.** Rozpěrka zajišťuje určitou vzdálenost mezi oběma rukama. Nastavení sestavy rukojeti/zábrany do přílišné blízkosti druhého držadla mimo délku rozpěrky může způsobit ztrátu kontroly a vážné zranění.

## Montáž krytu (Obr. 17 a 18)

### ⚠ VAROVÁNÍ:

- Nářadí nikdy nepoužívejte bez nasazeného krytu uvedeného na obrázku.** V opačném případě může dojít k vážnému zranění.

### ⚠ UPOZORNĚNÍ:

- Při nasazování nástavce krytu dejte pozor, abyste se nezranili o nůž k přezávání nylonové struny umístěný v nástavci.** Kontakt s nožem může způsobit zranění.

Na pouzdro převodovky upevněte ochranný kryt. Patky mírně roztáhněte směrem ven a do otvorů patek zasuňte šrouby. (Obr. 19)

### UPOZORNĚNÍ:

- Při roztahování netlačte na patky příliš.** Mohly by se zlomit.

Kryt připevněte podle obrázku k přichytce dvěma šrouby. Levý a pravý šroub dotáhněte stejnou silou. **(Obr. 20)** Při použití strunové hlavy namontujte nástavec krytu. Nástavec krytu nasadíte do drážky v dolním okraji krytu. Potom nástavec krytu nasuňte do správné polohy, až zacvakne a zajistí se na místě. Nástavec krytu je zkonstruován tak, aby jej bylo možné na kryt nasadit pouze v jednom směru. **(Obr. 21)**

#### POZNÁMKA:

• Při prvním použití sejměte pásku přilepenou na noži k připeřezávání nylonové struny v nástavci krytu. **(Obr. 22)** Sejmutí nástavce krytu provedete zasunutím plochého šroubováku do malé drážky v zajišťovacím výstupku. Stisknutím zajišťovacího výstupku a posouváním nástavce krytu ve směru naznačeném na obrázku nástavec odjistíte. Jakmile se nástavec krytu začne posunovat, je odjističen a můžete jej úplným vysunutím z nosného krytu sejmut.

### Montáž nože

#### ⚠ VAROVÁNÍ:

• **Vnější průměr nože musí být 230 mm.** Nikdy nepoužívejte žádné nože, jejichž vnější průměr přesahuje 230 mm.

#### ⚠ UPOZORNĚNÍ:

- Nůž musí být dobře nabroušený, bez prasklin a lomů. Po každých třech hodinách provozu nůž naostřete nebo vyměňte.
- Při manipulaci s nožem vždy používejte rukavice.
- Jestliže není nářadí používáno nebo pokud jej převážíte, vždy nasadte kryt nože.
- Matice k upevnění nože (s pružnou podložkou) je spotřebním materiálem. Při opotřebení či deformaci pružné podložky matici vyměňte. Materiál si můžete objednat v místním autorizovaném servisním středisku.

#### POZNÁMKA:

• Ujistěte se, zda používáte originální nůž Makita. Otočte nářadí vzhůru nohama, abyste mohli nůž snadno vyměnit. **(Obr. 23)**

Chcete-li nůž odmontovat, zasuňte imbusový klíč do otvoru v ochranném krytu a převodovce. Otáčejte unášecem, až se zajistí o imbusový klíč. Nástrčným klíčem povolte šestihrannou matici (s levým závitem) a vyjměte matici, miskou, přítlačnou podložku a imbusový klíč. **(Obr. 24)**

Nůž namontujte na hřídel tak, aby výstupek na unášечи dosedl do opěrného otvoru v noži. Namontujte přítlačnou podložku, miskou a nůž zajistíte šestihrannou matiči dotaženou momentem 13 až 23 Nm při současném přidržování unášече imbusovým klíčem. **(Obr. 25)** Ujistěte se, zda se může nůž volně pohybovat.

### Nasazení strunové hlavy

#### ⚠ UPOZORNĚNÍ:

• **Používejte pouze strunovou hlavu s nasazeným krytem a nástavcem krytu.** V opačném případě může dojít k vážnému zranění.

#### POZNÁMKA:

• Ujistěte se, zda používáte originální strunovou hlavu Makita. Otočte nářadí vzhůru nohama, abyste mohli strunovou hlavu snadno vyměnit. **(Obr. 26)**

Do otvoru v ochranném krytu a pouzdru převodovky zasuňte imbusový klíč a otáčejte unášecem, až se zajistí o imbusový klíč. Strunovou hlavu namontujte přímo na závítové vřeteně a dotáhněte ji otáčením směrem doleva. Vyjměte imbusový klíč. Pokud chcete strunovou hlavu sejmut, otáčejte ji směrem vpravo a přitom přidržujte unášеч imbusovým klíčem.

#### ⚠ UPOZORNĚNÍ:

- **Jestliže strunová hlava při provozu náhodně narazí na kámen či jiný tvrdý předmět, bude třeba zařízení vypnout a zjistit, zda nedošlo k poškození. Poškozenou strunovou hlavu je třeba okamžitě vyměnit.** Použití poškozené strunové hlavy může způsobit vážné zranění.

## PROVOZ

### Správné zacházení s nářadím (BBC231U, BC231UD)

#### Správný postoj

#### ⚠ VAROVÁNÍ:

**Nářadí umístěte vždy po pravé straně tak, abyste měli tyč levého držadla pokaždé vpředu před tělem.**

Správnou polohou nářadí zajistíte maximální ovladatelnost a omezíte nebezpečí vážného zranění v důsledku zpětného rázu.

Zádový postroj si nasadte podle obrázku a nářadí pevně zavěste po svém pravém boku tak, aby byla tyč levého držadla vždy před vámi. **(Obr. 27)**

#### Připevnění zádového postroje (Obr. 28)

Zádový postroj noste na zádech a zapněte jej přezkou, jež zacvakne na místo. Ujistěte se, zda vám postroj při zatažení nepadá. Nářadí zavěste tak, jak je znázorněno na obrázku.

#### Sejmutí postroje (Obr. 29)

Klíč slouží k rychlému uvolnění nářadí jednoduchým stisknutím z obou stran.

#### ⚠ VAROVÁNÍ:

- **Počínejte si velmi opatrně, abyste v tuto chvíli nad nářadím neztratili kontrolu. Nedovolte, aby se nářadí odrazilo směrem k vám či jakékoli osobě v blízkosti pracoviště.** Mohlo by dojít k vážnému zranění.

#### Nastavení polohy závěsu a zádového postroje

Při výměně jednoho příslušenství za jiné může dojít ke změně vyvážení nářadí. V takovém případě upravte následujícím způsobem polohu závěsu a délku zádového postroje.

Pokud upevňovací šroub závěsu a závěs i s pružnou podložkou přesuňte. Pružnou podložku snadno přesunete otáčením.

Seřídte polohu závěsu a délku zádového postroje tak, aby:

- poloha závěsu dosáhla výšky 750 mm či více od země,
- poloha vyznačovací nástroje byla ve výšce 100 až 300 mm od země

- a poloha nekryté části vyžínacího nástroje dosahovala vodorovně do vzdálenosti 750 mm či dále od závěsu. (Obr. 30)

Po nastavení polohy závěsu pevně dotáhněte šroub klíčem.

## Správné zacházení s nářadím (BBC300L, BC300LD)

### Správný postoj

#### ⚠ VAROVÁNÍ:

- **Nářadí umístěte vždy po pravé straně tak, aby byla zábrana vždy před vámi.** Správnou polohou nářadí zajistíte maximální ovladatelnost a omezíte nebezpečí vážného zranění v důsledku zpětného rázu.

Zádový postroj si podle obrázku nasadíte na levé rameno, protáhněte hlavu i pravé rameno a nářadí držíte vpravo tak, aby byla zábrana vždy před vámi. (Obr. 31)

### Přípevnění zádového postroje (Obr. 32)

Po nasazení zádového postroje k němu můžete připnout nářadí spojením přezek na oku nářadí a postroji. Ujistěte se, zda přezky zacvakly a řádně se zajistily na místě.

### Sejmutí postroje (Obr. 33)

Přezka slouží k rychlému uvolnění nářadí jednoduchým stisknutím z obou stran.

#### ⚠ VAROVÁNÍ:

- **Počínejte si velmi opatrně, abyste nad nářadím nikdy neztratili kontrolu. Nedovolte, aby se nářadí odrazilo směrem k vám či jakékoli osobě v blízkosti pracoviště.** Ztráta kontroly nad nářadím může způsobit vážné zranění okolostojících osob a obsluhy.

### Nastavení polohy závěsu a zádového postroje

Při výměně jednoho příslušenství za jiné může dojít ke změně vyváženosti nářadí. V takovém případě upravte následujícími způsobem polohu závěsu a délku zádového postroje.

Pokud chcete změnit polohu závěsu, povolte dodaným klíčem upevňovací šroub závěsu a přesuňte závěs.

Seřídte polohu závěsu a délku zádového postroje tak, aby:

- poloha závěsu dosáhla výšky 750 mm či více od země,
- poloha vyžínacího nástroje byla ve výšce až 300 mm od země
- a poloha nekryté části vyžínacího nástroje dosahovala vodorovně do vzdálenosti 750 mm či dále od závěsu. (Obr. 34)

Po nastavení polohy závěsu pevně dotáhněte šroub klíčem.

## ÚDRŽBA

#### ⚠ VAROVÁNÍ:

- **Před kontrolou či prováděním údržby se vždy ujistěte, zda je nářadí vypnuté a zda je vyjmut blok akumulátoru.** Jestliže nářadí nevypnete a nevyjmete z něj akumulátor, může po náhodném spuštění dojít k vážnému zranění.

#### POZNÁMKA:

- Nikdy nepoužívejte benzín, benzen, ředidlo, alkohol či podobné prostředky. Mohlo by tak dojít ke změnám barvy, deformacím či vzniku prasklin.

## Doplňování maziva do převodovky (Obr. 35)

Mazivo do převodovky (Shell Alvania 2 nebo ekvivalent) doplňujte do převodovky příslušným otvorem každých 30 hodin. (Originální mazivo Makita zakoupíte u prodejce Makita.)

## Výměna nylonové struny

#### ⚠ VAROVÁNÍ:

- **Před kontrolou či prováděním údržby se vždy ujistěte, zda je nářadí vypnuté a zda je vyjmut blok akumulátoru.** Jestliže nářadí nevypnete a nevyjmete z něj akumulátor, může po náhodném spuštění dojít k vážnému zranění.
- **Ujistěte se, zda je kryt strunové hlavy správně upevněn v plášti tak, jak je popsáno níže.** Jestliže kryt správně nezajistíte, může se strunová hlava rozlétnout a způsobit vážné zranění. (Obr. 36)

Stiskněte západky v plášti směrem dovnitř a zvednutím sejměte kryt. Zbývající nylonovou strunu zlikvidujte.

#### (Obr. 37)

Střed nové nylonové struny zahákněte do výřezu ve středu cívky mezi 2 kanály pro nylonovou strunu. Jedna strana struny by měla být asi o 80 mm delší než druhá. Oba konce pevně navíňte kolem cívky ve směru vyznačeném na hlavě značkou LH pro levou stranu.

#### (Obr. 38)

Navíňte struny kompletně kromě zhruba 100 mm a konce dočasně zahákněte přes výřez na straně cívky. (Obr. 39) Cívkou namontujte do pláště tak, aby drážky a výčnělky v cívce dosedly do odpovídajících míst v plášti. Stranu s písmeny na cívce nechte viditelnou nahoře. Nyní odhákněte konce struny z dočasných poloh a struny protáhněte očky tak, aby vyčnívaly z pláště. (Obr. 40) Výčnělek na spodní straně krytu vyrovnejte s drážkami oček. Potom kryt pevným natlačením na plášť zajistěte na místě. Ujistěte se, zda západky dokonale dosedly do krytu.

V rámci zachování BEZPEČNOSTI a SPOLEHLIVOSTI výrobku musí být opravy a veškerá další údržba či seřizování svěřeny autorizovaným servisním střediskům Makita používajícím vždy náhradní díly Makita.

## ODSTRAŇOVÁNÍ PROBLÉMŮ

Před žádostí o opravu proveďte nejprve prohlídku sami. Narazíte-li na problém, jenž v této příručce není vysvětlen, nepouštějte se do demontáže nářadí.

Požádejte o pomoc některé z autorizovaných servisních středisek Makita, kde k opravám vždy používají náhradní díly Makita.

Stav poruchy	Příčina	Náprava
Motor neběží.	Není nasazen blok akumulátoru.	Nainstalujte blok akumulátoru.
	Problém s akumulátorem (nízké napětí)	Nabijte akumulátor. Jestliže nabití nepomůže, vyměňte akumulátor.
	Systém pohonu nepracuje správně.	Předejte zařízení k opravě v místním autorizovaném servisním středisku.
Motor se po krátké době provozu zastaví.	Směr otáček je opačný.	Přepínačem směru otáček změňte směr otáček.
	Akumulátor není dostatečně nabitý.	Nabijte akumulátor. Jestliže nabití nepomůže, vyměňte akumulátor.
	Došlo k přehřátí.	Přestaňte nářadí používat a nechte je vychladnout.
Nářadí nedosahuje maximálních otáček.	Akumulátor je nesprávně nasazený.	Nainstalujte blok akumulátoru podle popisu v této příručce.
	Poklesl výkon akumulátoru.	Nabijte akumulátor. Jestliže nabití nepomůže, vyměňte akumulátor.
	Systém pohonu nepracuje správně.	Předejte zařízení k opravě v místním autorizovaném servisním středisku.
Vyžínací nástroj se neotáčí: zařazení okamžitě vypněte!	Mezi krytem a strunovou hlavou či nožem se vzpříčil cizorodý předmět, například větev.	Cizorodý předmět odstraňte.
	Je uvolněná matice k upevnění nože.	Matici řádně dotáhněte podle popisu v této příručce.
	Nůž je ohnutý.	Vyměňte nůž.
	Systém pohonu nepracuje správně.	Předejte zařízení k opravě v místním autorizovaném servisním středisku.
Nenormální vibrace: zařazení okamžitě vypněte!	Jedna z nylonových strun se utrhla a hlava není vyvážená.	Klepněte otáčející se strunovou hlavou o zem, aby se vysunula struna.
	Nůž je ohnutý, prasklý nebo opotřebovaný.	Vyměňte nůž.
	Je uvolněná matice k upevnění nože.	Matici řádně dotáhněte podle popisu v této příručce.
	Nůž je nesprávně upevněn.	Matici řádně dotáhněte podle popisu v této příručce.
	Systém pohonu nepracuje správně.	Předejte zařízení k opravě v místním autorizovaném servisním středisku.
Vyžínací nástroj a motor nelze vypnout: Okamžitě vyjměte akumulátor!	Elektrická nebo elektronická porucha.	Vyjměte akumulátor a zařízení předejte k opravě v místním autorizovaném servisním středisku.

010824

## VOLITELNÉ PŘÍSLUŠENSTVÍ

### UPOZORNĚNÍ:

• Pro zařízení Makita popsané v tomto návodu doporučujeme používat následující příslušenství a nástavce. Při použití jiného příslušenství či nástavce může hrozit nebezpečí zranění osob. Příslušenství a nástavce používejte pouze pro stanovené účely.

Jestliže budete potřebovat pomoc či bližší informace ohledně příslušenství, obraťte se na místní servisní středisko Makita.

- Nůž
- Strunová hlava
- Nástavec tyčového zastřihovače živých plotů (k modelu BBC300L, BC300LD)
- Nástavec tyčové pily (k modelu BBC300L, BC300LD)
- Nástavec kultivátoru (k modelu BBC300L, BC300LD)
- Originální akumulátor a nabíječka Makita

### POZNÁMKA:

- Některé položky seznamu mohou být k zařízení přibaleny jako standardní příslušenství. Přibalené příslušenství se může v různých zemích lišit.

# УКРАЇНЬСЬКА (Оригінальні інструкції)

## Пояснення загального виду

- |  |  |                                 |
|--|--|---------------------------------|
| 1. Червоний індикатор                                    | 16. Гвинт                              | 34. Затискна шайба              |
| 2. Ковзна кнопка   | 17. Ручка                              | 35. Ковпачок                    |
| 3. Касета з акумулятором                                 | 18. Затискач ручки                     | 36. Шестигранна гайка           |
| 4. Кнопка блокування вимкненого положення                | 19. Фіксатор ручки                     | 37. Шпindel із різьбовим кінцем |
| 5. Курковий вмикач                                       | 20. Натискна пружина                   | 38. Важіль                      |
| 6. Перемикач зворотного ходу                             | 21. Захисний обмежувач                 | 39. Пряжка                      |
| 7. Натиснутий у положення А - нормальна робота           | 22. Роз'єднувач                        | 40. Кріплення для підвішування  |
| 8. Натиснутий у положення В - видалення бур'яну і сміття | 23. Стрілочка                          | 41. Мاستильний отвір            |
| 9. Перемикач швидкості                                   | 24. Ріжуча пластина                    | 42. Редуктор                    |
| 10. Індикаторна лампочка                                 | 25. Захисний кожух                     | 43. Кришка                      |
| 11. Сектор, найбільш ефективний для різання              | 26. Ріжуча голівка з нейлоновим шнуром | 44. Фіксатори                   |
| 12. Індикаторні лампи                                    | 27. Подовжувач захисного кожуха        | 45. Натисніть                   |
| 13. Кнопка СHECK (ПЕРЕВІРКА)                             | 28. Болт                               | 46. Котушка                     |
| 14. Рукотка  | 29. Виступ                             | 47. Для лівого обертання        |
| 15. Ручка  | 30. Два болти                          | 48. Прорізи                     |
|  | 31. Захисна кришка                     | 49. Вушка                       |
|  | 32. Шестигранний ключ                  | 50. Виступ (не відображається)  |
|  | 33. Приймона шайба                     | 51. Проріз вушка                |

## ТЕХНІЧНІ ХАРАКТЕРИСТИКИ

Модель		BBC231U/BC231UD	
Тип ручки		Велосипедна ручка	
Швидкість без навантаження	Висока	0–7300 хв <sup>-1</sup>	
	Низька	0–5300 хв <sup>-1</sup>	
Повна довжина		1880 мм	
Діаметр ріжучої пластини		230 мм	
Вага нетто		7,1 кг	
Номинальна напруга		36 В постійного струму	
Стандартна касета з акумулятором та зарядний пристрій ⚠ Завжди дотримуйтеся комбінацій акумулятора та зарядного пристрою, зазначених у колонках праворуч.		BL3626 DC36RA	BL3622A DC36WA

Модель		BBC300L/BC300LD	
Тип ручки		Ручка-дужка	
Швидкість без навантаження	Висока	0–6600 хв <sup>-1</sup>	
	Низька	0–4900 хв <sup>-1</sup>	
Повна довжина		1850 мм	
Ріжучий діаметр з ріжучою голівкою з нейлоновим шнуром		300 мм	
Вага нетто		5,9 кг	
Номинальна напруга		36 В постійного струму	
Стандартна касета з акумулятором та зарядний пристрій ⚠ Завжди дотримуйтеся комбінацій акумулятора та зарядного пристрою, зазначених у колонках праворуч.		BL3626 DC36RA	BL3622A DC36WA

- У зв'язку з нашою безперервною програмою досліджень і розвитку технічні характеристики, представлені в даній інструкції, можуть бути змінені без повідомлення.
- Технічні характеристики приладу та касета з акумулятором можуть відрізнятися в різних країнах.
- Вага разом з касетою з акумулятором відповідно до EPTA-Procedure 01/2003



Шум	Середній рівень звукового тиску		Застосовний стандарт	
	Модель	$L_{PA}$ (дБ (А))		Похибка К (дБ (А))
	BBC231U/BC231UD	79,7	2,5	ISO22868
	BBC300L/BC300LD	79,3	2,5	EN786

- Навіть якщо наведений вище рівень звукового тиску менше або дорівнює 80 дБ (А), рівень безпосередньо у місці виконання роботи може перевищувати 80 дБ (А). Використовуйте засоби захисту органів слуху.

Вібрація	Ліва рука		Права рука		Застосовний стандарт	
	Модель	$a_h$ (м/с <sup>2</sup> )	Похибка (К) (м/с <sup>2</sup> )	$a_h$ (м/с <sup>2</sup> )		Похибка (К) (м/с <sup>2</sup> )
	BBC231U/BC231UD	≤ 2,5	1,5	≤ 2,5	1,5	ISO22867, EN786
	BBC300L/BC300LD	≤ 2,5	1,5	≤ 2,5	1,5	EN786

ENG901-1


- Заявлене значення вібрації було виміряно у відповідності до стандартних методів тестування та може використовуватися для порівняння одного інструмента з іншим.
- Заявлене значення вібрації може також використовуватися для попередньої оцінки впливу.


### ⚠ УВАГА!


- Залежно від умов використання вібрація під час фактичної роботи інструмента може відрізнятись від заявленого значення вібрації.
- Забезпечте належні запобіжні заходи для захисту оператора, що відповідатимуть умовам використання інструмента (слід брати до уваги всі складові робочого циклу, такі як час, коли інструмент вимкнено та коли він починає працювати на холостому ході під час запуску).


Символи ENG008-4


Нижче наведені символи для позначення обладнання. Перед використанням обов'язково вивчіть їх значення.


 ..... Будьте особливо уважні та обережні.


 ..... Читайте інструкцію.


 ..... Небезпечно; уникайте контакту з відкинутими предметами.

 ..... Відстань між інструментом і людьми повинна бути не менше 15 метрів.


 ..... Тримайте дистанцію від людей.


 ..... Тримайте дистанцію мінімум 15 м.

 ..... Уникайте віддачі.

 ..... Вдягайте шолом, захисні окуляри та засоби захисту слуху.

 ..... Вдягайте захисні рукавички.

 ..... Вдягайте міцне взуття з підшвами, що не ковзають. Ми рекомендуємо захисне взуття зі сталевим носком.

 ..... Не піддавайте інструмент впливу вологи.



..... Гранична швидкість роботи інструмента.



..... Тільки для країн ЄС  
Не викидайте електроприлади або акумуляторні батареї разом із побутовим сміттям!  
Згідно з Європейськими директивами 2012/19/EU про утилізацію електричного та електронного обладнання та 2006/66/EC відносно батарей та акумуляторів і батарей та акумуляторів, термін служби яких закінчився, та їх використанням із дотриманням національних законів, електричне обладнання та акумуляторні батареї, термін служби яких закінчився, потрібно збирати окремо та відправляти на екологічно чисті підприємства з їхньої переробки.

Тільки для країн Європи

ENH035-4

**Декларация про відповідність стандартам ЄС**  
**Ми, компанія Makita, як відповідальний виробник заявляємо, що наступне обладнання Makita:**

Позначення обладнання:

Акумуляторний кушоріз

№ моделі / тип: BBC231U, BC231UD

Технічні характеристики: див. таблицю "ТЕХНІЧНІ ХАРАКТЕРИСТИКИ".

є серійним виробництвом та

**відповідає наступним Європейським директивам:**

2000/14/EC, 2006/42/EC

Виготовлене у відповідності до наступних стандартів або стандартизованих документів:

EN/ISO11806, EN60745

Технічна документація ведеється:

Makita International Europe Ltd.

Technical Department,

Michigan Drive, Tongwell,

Milton Keynes, Bucks MK15 8JD, Англія



Процедура оцінки відповідності, якої вимагає Директива 2000/14/ЄС, відбулася відповідно до Додатку V.  
Вимірний рівень акустичної потужності: 93,6 дБ (А)  
Гарантований рівень акустичної потужності: 95 дБ (А)

2. 10. 2012



Томоязу Като  
Директор  
Makita Corporation  
3-11-8, Sumiyoshi-cho,  
Anjo, Aichi, 446-8502, JAPAN

Типові випробування на відповідність директиві ЄС 2006/42/ЄС були проведені:  
DEKRA Testing and Certification GmbH  
Enderstraße 92b  
01277 Dresden, Німеччина  
Ідентифікаційний номер 2140

2. 10. 2012



Томоязу Като  
Директор  
Makita Corporation  
3-11-8, Sumiyoshi-cho,  
Anjo, Aichi, 446-8502, JAPAN

**Тільки для країн Європи** ENH040-3  
**Декларація про відповідність стандартам ЄС**  
**Ми, компанія Makita, як відповідальний виробник**  
**заявляємо, що наступне обладнання Makita:**

Позначення обладнання:  
Акумуляторна кордова газонокосарка  
№ моделі / тип: BVC300L, BC300LD  
Технічні характеристики: див. таблицю "ТЕХНІЧНІ  
ХАРАКТЕРИСТИКИ".

є серійним виробництвом та  
**відповідає наступним Європейській директивам:**  
2000/14/ЄС, 2006/42/ЄС

Виготовлене у відповідності до наступних стандартів  
або стандартизованих документів:

EN709, EN/ISO10517, EN/ISO11680, EN/ISO11806,  
EN60745

Технічна документація ведеться:  
Makita International Europe Ltd.

Technical Department,  
Michigan Drive, Tongwell,  
Milton Keynes, Bucks MK15 8JD, Англія

Процедура оцінювання відповідності, якої вимагає  
Директива 2000/14/ЄС, відбулася відповідно до  
Додатку VIII.

Уповноважений орган:

TÜV Rheinland LGA Products GmbH  
Tillystraße 2  
90431 Nürnberg, Німеччина  
Ідентифікаційний номер 0197

Вимірний рівень акустичної потужності:  
91,3 дБ (А)

Гарантований рівень акустичної потужності:  
93 дБ (А)

Номер сертифіката ЄС на проведення типових  
випробувань стосовно пилки для живоплоту із  
насадкою-пилкою для живоплоту:  
4811008.12016

## ВАЖЛИВІ ІНСТРУКЦІЇ З БЕЗПЕКИ

GEB068-3

**⚠ УВАГА! Уважно прочитайте всі застереження та інструкції.** Недотримання інструкцій та застережень може призвести до ураження електричним струмом, пожежі та/або до серйозних травм.

### Збережіть ці застереження та інструкції для використання у майбутньому.

#### Використання за призначенням

1. Акумуляторний куцоріз/кордова газонокосарка призначені тільки для стриження трави, бур'яну, кущів та порослі. Не дозволяється використовувати інструмент за іншим призначенням, наприклад для окантовки та стриження живоплоту, оскільки це може призвести до травм.

#### Загальні положення

1. Ніколи не дозволяйте особам, які не ознайомилися з цією інструкцією, а також людям (у тому числі дітям) з обмеженими фізичними, сенсорними або розумовими можливостями та особам із недостатнім досвідом і знаннями використовувати цей інструмент. За дітьми слід забезпечити нагляд, щоб переконатися, що вони не грають із інструментом.
2. Перш ніж запустити інструмент прочитайте цю інструкцію з експлуатації, щоб ознайомитися з правилами користування інструментом.
3. Передавайте інструмент тільки тим особам, які мають достатній досвід роботи з куцорізами та кордовими газонокосарками.
4. Разом із інструментом слід також завжди передавати й цю інструкцію з експлуатації.
5. Інструмент слід завжди використовувати із максимальною обережністю та увагою.
6. Ніколи не використовуйте інструмент після прийняття ліків чи алкоголю або у разі втоми чи хворобливого стану.
7. Ніколи не намагайтеся внести зміни до конструкції інструмента.

8. Дотримуйтеся прийнятих у Вашій країні норм законодавства щодо належного використання кущорізів та кордових газонокосарок.

### **Засоби індивідуального захисту (Мал. 1)**

1. Надягайте захисний шолом, захисні окуляри та захисні рукавиці, щоб захистити себе від уламків, що розлітаються, або від предметів, що падають.
2. Для запобігання ураженню органів слуху користуйтеся засобами захисту органів слуху, наприклад навушниками.
3. Задля безпечної роботи користуйтеся відповідним одягом та взуттям, наприклад робочим комбінезоном та міцним взуттям із підошвами, що не ковзають. Не надягайте прикраси або занадто вільний одяг. Рухомі деталі можуть захопити вільний одяг, прикраси або довге волосся.
4. Використовуйте захисні рукавиці під час торкання ріжучої пластини. Інакше Ви можете серйозно поранити руки.

### **Безпека робочого місця**

1. Використовуйте інструмент тільки вдень за умов належної видимості. Забороняється використовувати інструмент у темний час доби або під час туману.
2. Не використовуйте інструмент у вибухонебезпечних місцях, наприклад за наявності легкозаймистих рідин, газів чи пилу. Інструмент може искрити, і це може призводити до займання пилу чи газів.
3. Під час роботи ніколи не стійте на нестійкій, слизькій або похилій поверхні. У холодну пору року будьте обережні, щоб не впасти на снігу або на льоді, а також подбайте про стійку опору на ноги.
4. Під час роботи сторонні особи та тварини повинні знаходитися на відстані не менше ніж 15 м від інструмента. У разі наближення іншої особи або тварини слід негайно зупинити інструмент.
5. Перед тим як почати використовувати інструмент, слід оглянути робочу територію на предмет наявності каміння або інших твердих предметів. Вони можуть відлетіти або спричинити небезпечну віддачу, що призведе до серйозних травм та/або пошкодження майна.
6. **⚠ УВАГА:** У процесі використання цього інструмента може утворюватися пил, що містить хімікати, які можуть призвести до ураження дихальних шляхів або викликати інші хвороби. Деякі з таких хімікатів містяться у пестицидах, інсектицидах, добривах та гербіцидах. Ризик негативного впливу таких речовин залежить від частоти виконання Вами такого виду роботи. Щоб зменшити вплив таких хімічних речовин: слід працювати в добре вентильованому місці та використовувати рекомендовані засоби індивідуального захисту, наприклад пилозахисні маски, спеціально призначені для фільтрації мікроскопічних часток.

### **Електробезпе́чність та техніка безпеки під час роботи з акумулятором**

1. Не піддавайте інструмент впливу дощу або вологи. При потрапленні води в інструмент зростає ризик ураження електричним струмом.

2. Не використовуйте інструмент, якщо вимикач не працює. Інструмент, яким не вдається керувати за допомогою вимикача, є небезпечним і підлягає ремонту.
3. Запобігайте випадковому вмиканню інструмента. Перш ніж установлювати акумулятор, підняти або переносити інструмент, слід переконатися, що вимикач знаходиться у положенні "вимкнено". Перенесення інструмента з пальцем на вимикачі або з увімкнутим вимикачем може призвести до нещасного випадку.
4. Перезаряджайте акумулятор лише за допомогою зарядного пристрою, вказаного виробником. Зарядний пристрій, який годиться для одного типу акумуляторів, може призвести до пожежі при використанні з акумуляторами іншого типу.
5. Використовуйте інструмент лише зі спеціально призначеним типом акумуляторів. Використання акумуляторів інших типів може призводити до травм і виникнення пожежі.
6. Коли акумулятор не використовується, тримайте його подалі від металевих предметів, таких як скріпки, монети, ключі, цвяхи, шурупи тощо, які можуть закортити клеми акумулятора. Закорочення клем акумулятора може призвести до опіків або виникнення пожежі.
7. За умов недбалоого користування з акумулятора може витікати рідина, контакту з якою слід уникати. У разі випадкового потраплення рідини на тіло відповідну частину тіла слід промити водою. При потрапленні рідини в очі необхідно звернутися до лікаря. Рідина з акумулятора може спричинити подразнення та опіки.

### **Уведення в експлуатацію**

1. Перш ніж проводити монтаж або налаштування інструмента, слід виймати касету з акумулятором.
2. Перед роботою із ріжучою пластиною надягайте захисні рукавиці.
3. Перш ніж установлювати касету з акумулятором, оглядайте інструмент на наявність ушкоджень, послаблених гвинтів/гайок та переконайтеся, що інструмент зібраний належним чином. Заточуйте затуплену ріжучу пластину. Якщо ріжуча пластина деформована або пошкоджена, її необхідно замінити. Перевіряйте належне функціонування усіх важелів керування та вимикачів. Чистьте ручки та витирайте їх насухо.
4. Ніколи не намагайтеся запустити інструмент, якщо він пошкоджений або зібраний неповністю. Інакше це може призвести до серйозних травм.
5. Перед вмиканням інструмента витягуйте регульовальний клин або ключ. Ключ або клин, залишений в обертальній частині інструмента, може призвести до травми.
6. Налаштовуйте плечовий ремінь та рукоятку відповідно до зросту оператора.
7. Уставляючи касету з акумулятором, тримайте ріжучу насадку подалі від себе, інших предметів та землі. Під час запуску вона може раптово зрушити з місця, і це може призвести до серйозних травм, пошкодження самого інструмента та/або іншого майна.

## Робота

1. У випадку надзвичайної ситуації негайно вимикайте інструмент.
2. Якщо під час експлуатації інструмента Ви помітите будь-які непередбачені зміни у характері його роботи (наприклад шум або вібрацію), інструмент слід вимкнути. Не використовуйте інструмент, доки причина несправності не буде знайдена та усунена.
3. Ріжуча насадка продовжує обертатися протягом короткого періоду часу після вимкнення інструмента. Не поспішайте при поводженні із ріжучою насадкою.
4. Під час роботи використовуйте плечовий ремінь. Утримуйте інструмент праворуч від себе.
5. Не слід тягнутись занадто далеко. Слід завжди твердо стояти на ногах та тримати рівновагу. Будьте уважні, щоб не спіткнутися, оскільки на місці роботи можуть знаходитися приховані перешкоди, наприклад пні, коріння або канави.
6. Щоб не втратити контроль, ніколи не працюйте, стоячи на дереві або на драбині.
7. Якщо інструмент зазнав серйозного удару або впавав, перш ніж продовжувати роботу слід перевірити його стан. Перевіряйте належне функціонування усіх важелів керування та засобів безпеки. Якщо Ви виявили пошкодження або якщо у Вас виникли будь-які сумніви, звертайтеся до нашого авторизованого сервісного центру для проведення огляду інструмента та його ремонту.
8. Не торкайтеся редуктора. Він стає гарячим під час роботи.
9. Відпочивайте, щоб не допустити втрати контролю внаслідок перевтомлення. Ми рекомендуємо робити паузу на 10–20 хвилин після кожної години роботи.
10. Якщо Ви залишаєте інструмент навіть на короткий час, завжди виймайте касету з акумулятором. Якщо залишити інструмент без нагляду із установленою касетою з акумулятором, ним можуть скористатися сторонні особи, що може призвести до серйозного нещасного випадку.
11. Якщо між ріжучою насадкою та захисним кожухом потрапить трава або гілля, перед їх видаленням слід завжди вимикати інструмент та виймати касету з акумулятором. Інакше ріжуча насадка може раптово почати обертатися, і це призведе до серйозних травм.
12. Якщо ріжуча насадка наштовхнеться на каміння або на інші тверді предмети, негайно вимикайте інструмент. Потім виймайте касету з акумулятором і перевіряйте ріжучу насадку на наявність пошкоджень.
13. Під час роботи постійно перевіряйте ріжучу насадку на наявність тріщин та пошкоджень. Перш ніж проводити огляд інструмента, виймайте касету з акумулятором та чекайте, поки ріжуча насадка повністю зупиниться. Негайно замінійте ріжучу насадку, навіть якщо Ви виявили тільки поверхневі тріщини.
14. Ніколи не ріжте вище рівня пояса.
15. Перед початком роботи зачекайте, доки ріжуча насадка досягне постійної швидкості після запуску інструмента.

16. Якщо Ви використовуєте металеву ріжучу пластину, пересувайте інструмент рівномірно півколом з правого боку у лівий бік, як при використанні коси.

## Ріжучі насадки

1. Використовуйте ріжучу насадку, що відповідає типу виконуваної роботи.
  - Ріжучі голівки з нейлоновим шнуром (голівки кордової газонокосарки) підходять для скошування газону.
  - Металеві ріжучі пластини підходять для скошування бур'яну, високої трави, кущів, підліска, молодих насаджень тощо.
  - Ніколи не використовуйте інші металеві ріжучі пластини, у тому числі металеві рухливі ланцюги та ціпи. Це може призвести до серйозних травм.
2. Завжди використовуйте захисний кожух ріжучої насадки, що відповідає належним чином використовуваній насадці.
3. Під час використання металевих ріжучих пластин уникайте віддачі, однак будьте завжди готові до її раптового виникнення. Див. розділ "Віддача".

## Віддача (тиск на ріжучу пластину)

1. Віддача (тиск на ріжучу пластину) – це раптова реакція на затискання або заклинювання ріжучої пластини. У разі виникнення віддачі інструмент із великою силою подається убік або у напрямку оператора, що може спричинити серйозні травми.
2. Особливо часто віддача виникає при контакті інструмента із твердими предметами, кущами та деревами діаметром від 3 см в області сегмента ріжучої пластини між 12 та 2 годинами. **(Мал. 2)**
3. Щоб запобігти віддачі:
  - Використовуйте сегмент між 8 та 11 годинами.
  - Забороняється використовувати сегмент ріжучої пластини між 12 та 2 годинами.
  - Якщо оператор володіє відповідними знаннями та досвідом, то йому на свій страх і ризик дозволяється використовувати сегмент між 11 та 12 годинами та між 2 та 5 годинами.
  - Ніколи не використовуйте ріжучі пластини поблизу твердих предметів, наприклад біля парканів, стін, стовбурів дерев та каміння.
  - Ніколи не використовуйте ріжучі пластини у вертикальному положенні для окантовки та стрижіння живоплоту. **(Мал. 3)**

## Вібрація

1. Людина, яка має поганий кровообіг та постійно стикається із сильною вібрацією, може здобути порушення кровоносних судин або нервової системи. Вібрація може спричинити наведені нижче симптоми з боку пальців, рук або зап'ястя: "засинання" (оніміння), дзенькіт у вухах, біль, гострий біль, зміна структури або кольору шкіри. За наявності хоча б одного із цих симптомів слід обов'язково порадитися із лікарем!
2. Щоб зменшити ризик отримання синдрому білих пальців, слід тримати інструмент та приладдя у належному стані та дбати про те, щоб руки під час роботи залишалися теплими.

## Транспортування

1. Перед транспортуванням інструмент слід вимикати та необхідно виймати касету з акумулятором. Надягайте кришку на ріжучу пластину.
2. При перенесенні до іншого місця інструмент повинен знаходитися у горизонтальному положенні, тому тримайте його за вал.
3. При транспортуванні в автомобілі інструмент слід належним чином зафіксувати, щоб не допустити його перекидання. Недотримання цієї вимоги може призвести до пошкодження інструмента або інших предметів, що знаходяться в автомобілі.

## Технічне обслуговування

1. Обслуговування інструмента має проводитися лише у нашому авторизованому сервісному центрі із використанням оригінальних заміних частин. Технічне обслуговування та ремонт, проведені неналежним чином, можуть призвести до скорочення терміну служби інструмента та до підвищення ризику виникнення нещасних випадків.
2. Перед проведенням технічного обслуговування, ремонту або чищення інструмент завжди слід вимикати та необхідно виймати касету з акумулятором.
3. Кожного разу під час роботи з ріжучою пластиною використовуйте захисні рукавиці.
4. Завжди витирайте з інструмента пил та бруд. Однак для цього ніколи не використовуйте газолін, бензин, розріджувач, спирт та подібні речовини. Інакше це може призвести до втрати кольору, деформації або до появи тріщин на пластикових компонентах інструмента.
5. Після кожного використання слід затягувати усі гвинти та гайки.
6. Не намагайтеся здійснювати технічне обслуговування або ремонт інструмента, не описані у цій інструкції з експлуатації. Така робота повинна проводитися співробітниками нашого авторизованого сервісного центру.
7. Використовуйте тільки наші оригінальні запасні частини та приладдя. Використання запасних частин або приладдя сторонніх виробників може призвести до виходу інструмента з ладу, пошкодження майна та/або серйозних травм.
8. Регулярно звертайтеся до нашого авторизованого сервісного центру для проведення огляду інструмента та його технічного обслуговування.

## Зберігання

1. Готуючи інструмент до зберігання, його слід ретельно почистити та провести його технічне обслуговування. Знімайте касету з акумулятором. Надягайте кришку на ріжучу пластину.
2. Зберігайте інструмент у сухому недоступному для дітей місці – на високій полиці або в зачиненому приміщенні.
3. Забороняється зберігати інструмент, притуливши його до чогось, наприклад до стіни. Інакше він може несподівано власти та травмувати Вас або інших осіб.

## Перша допомога

1. Аптечка завжди повинна знаходитися неподалік від місця роботи. Слід одразу ж замінювати предмети з аптечки, які були використані.

2. Викликаючи допомогу, слід надавати таку інформацію:
  - Місце нещасного випадку
  - Що сталося
  - Кількість поранених людей
  - Характер травми
  - Ваше ім'я

## ЗБЕРЕЖІТЬ ЦЮ ІНСТРУКЦІЮ.

### ⚠ УВАГА:

**НІКОЛИ НЕ СЛІД** втрачати пильність та розслаблятися під час використання виробу (що приходиться при частому використанні); слід завжди строго дотримуватися правил безпеки під час використання цього інструмента. **НЕНАЛЕЖНЕ ВИКОРИСТАННЯ** або недотримання правил безпеки, викладених у цій інструкції з експлуатації, може призвести до серйозних травм.

## ВАЖЛИВІ ІНСТРУКЦІЇ З БЕЗПЕКИ

ENC007-7

## ЩОДО КАСЕТИ АКУМУЛЯТОРА

1. Перед використанням касети акумулятора прочитайте всю інструкцію та подивіться на позначки на (1) зарядному пристрої, (2) акумуляторі та (3) приладі, в якому використовується цей акумулятор.
2. Не розбирайте касету акумулятора.
3. Якщо період роботи став значно коротшим, слід негайно припинити користування. Недотримання цієї вимоги може призвести до перегріву, опіку та навіть вибуху.
4. Якщо електродіод потрапив до очей, слід промити їх чистою водою та негайно звернутися за медичною допомогою. Недотримання цієї вимоги може призвести до втрати зору.
5. Не закорочуйте касету акумулятора:
  - (1) Не слід торкатися клем струмопровідним матеріалом.
  - (2) Не слід зберігати касету акумулятора в ємності з іншими металевими предметами, такими як цвяхи, монети тощо.
  - (3) Забороняється піддавати акумулятор впливу води чи дощу.Коротке замикання може призвести до виникнення значного струму, перегріву, а також до опіків та навіть полумки.
6. Не слід зберігати інструмент та касету акумулятора в місцях, де температура може сягнути та перевищити 50°C (122°F).
7. Не слід спалювати касету акумулятора, навіть якщо вона була сильно пошкоджена або повністю відпрацьована. Касета акумулятора може вибухнути у вогні.
8. Не слід кидати або ударяти акумулятор.
9. Забороняється використовувати пошкоджений акумулятор.

## ЗБЕРЕЖІТЬ ЦЮ ІНСТРУКЦІЮ.

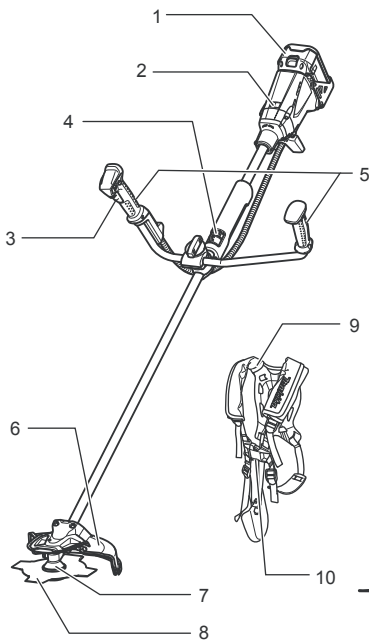
### Поради по забезпеченню максимального терміну експлуатації акумулятора

1. Заряджайте касету акумулятора перед тим, як вона повністю розрядиться. Завжди зупиняйте роботу інструмента та заряджайте касету з акумулятором, коли помічаєте зменшення живлення.

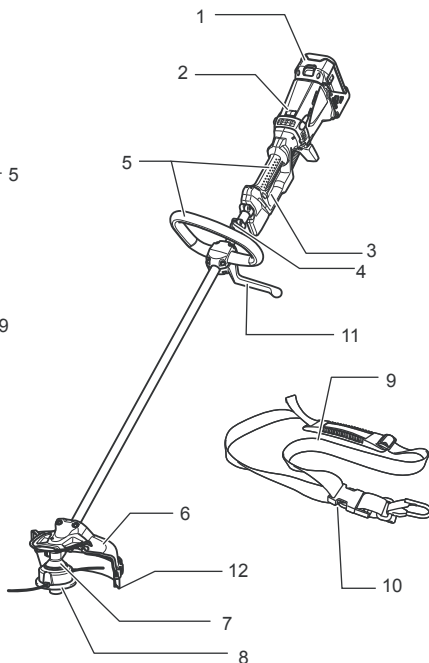
2. Ніколи не перезаряджайте повністю заряджену касету акумулятора. Надмірне заряджання скорочує термін експлуатації акумулятора.
3. Заряджайте касету акумулятора, коли температура у приміщенні становить 10°C - 40°C (50°F - 104°F). Перед тим як заряджати касету акумулятора, їй слід дати охолонути.
4. Заряджайте касету з акумулятором кожні шість місяців, якщо не використовуєте її протягом тривалого часу.

## ОПИС ДЕТАЛЕЙ

BVC231U / BC231UD



BVC300L / BC300LD



1	Касета з акумулятором	7	Редуктор
2	Індикаторна лампочка	8	Ріжуча частина
3	Курковий вмикач	9	Плечовий ремінь
4	Гак (місце для підвішування)	10	Пряжка
5	Рукоятка	11	Захисний обмежувач
6	Захисний кожух (захисний кожух ріжучої насадки)	12	Подовжувач захисного кожуха

013124

## ОПИС ФУНКЦІОНУВАННЯ

### ⚠ УВАГА:

- Перед регулюванням або перевіркою функціонування інструмента завжди перевіряйте, щоб інструмент був вимкнений, а касета з акумулятором була знята. Невимкнення інструмента та незняття акумулятора може

спричинити серйозну травму у разі його випадкового запуску.

## Встановлення та зняття касети з акумулятором (Мал. 4)

### **⚠ ЗАСТЕРЕЖЕННЯ:**

- Завжди вимикайте інструмент перед встановленням або зніманням касети з акумулятором.
- Під час встановлення або знімання касети з акумулятором слід міцно тримати інструмент та касету з акумулятором. У разі недостатньо міцного утримання інструмент та касета з акумулятором можуть вислизнути з рук, що призведе до пошкодження інструмента і касети з акумулятором та до заподіяння серйозних травм.

Щоб зняти касету з акумулятором, зсуньте її з інструмента, натиснувши кнопку спереду касети. Щоб установити касету з акумулятором, сумістіть виступ на касеті з акумулятором із пазом у корпусі та встановіть касету на місце. Її слід уставити повністю, аж доки вона не зафіксується на місці із незначним клацанням. Якщо на верхній частині кнопки видно червоний індикатор, це означає, що вона установлена не до кінця.

### **⚠ ЗАСТЕРЕЖЕННЯ:**

- Завжди вставляйте касету повністю, аж поки червоний індикатор стане невидимим. Якщо цього не зробити, він може випадково випасти з інструмента та завдати травми Вам або людям, що знаходяться поруч.
- Не встановлюйте касету з акумулятором із зусиллям. Якщо касета не вставляється легко, це означає, що Ви її неввірно вставляєте.

## Вмикання живлення пристрою

### **⚠ УВАГА:**

- **Перед тим як вставляти касету з акумулятором в інструмент, слід перевірити належну роботу куркового вмикача, тобто щоб він повертався у положення “ВИМК.”, коли його відпускають. Ніколи не натискайте із силою на курок вмикача, якщо кнопка блокування вимкненого положення не натиснута. Це може зламати вмикач.** Робота з інструментом, вмикач якого не спрацьовує належним чином, може призвести до втрати контролю над ним та до завдання серйозних травм. (Мал. 5 і 6)

Для того щоб запобігти випадковому натисканню куркового вмикача, передбачена кнопка блокування. Для того щоб запустити інструмент, натисніть на кнопку блокування вимкненого положення та натисніть на курок вмикача. Швидкість обертання інструмента збільшується шляхом збільшення тиску на курок вмикача. Для зупинення роботи курковий вмикач слід відпустити.

## Перемикач зворотного ходу для видалення сміття (Мал. 7 і 8)

У цьому інструменті є перемикач зворотного ходу, який призначений тільки для зміни напрямку обертання, що може використовуватися для видалення бур'яну і сміття, застряглого в інструменті. Для використання інструмента в нормальному режимі роботи слід натиснути сторону “А” перемикача.

Щоб видалити бур'ян і сміття, які застрягли в обертальній головці, можна змінити напрям обертання шляхом натискання сторони “В” перемикача. Інструмент працює у зворотному напрямку обертання лише протягом короткого періоду часу та автоматично вимикається.

### **⚠ УВАГА:**

- **Перш ніж видалити бур'ян чи сміття, які застрягли в інструменті і які неможливо видалити шляхом зворотного обертання робочої частини, спочатку обов'язково переконайтеся, що пристрій вимкнений, а касета з акумулятором знята.** Невимкнення інструмента та незняття акумулятора може спричинити серйозну травму у разі його випадкового запуску.

### **ПРИМІТКА:**

- Перед початком роботи слід завжди перевіряти напрямок обертання.
- Перемикач зворотного ходу можна використовувати тільки після повної зупинки інструмента. Зміна напрямку обертання до повної зупинки інструмента може пошкодити його.

## Зміна швидкості (Мал. 9 и 10)



За допомогою перемикача швидкості можна обирати дві швидкості.

Переведення важеля-перемикача зміни швидкості в положення “1” встановлює інструмент у нижній діапазон швидкостей, а в положення “2” - у верхній діапазон швидкостей.

## Система захисту акумулятора/двигуна

Касета з акумулятором і сам інструмент оснащені пристроями захисту, які автоматично знижують потужність або від'єднують інструмент від живлення у разі перевантаження, яке здатне пошкодити пристрій або касету акумулятора. На випадок, якщо виникає перевантаження, однак інструмент не блокується, передбачений захисний пристрій, який знижує швидкість обертання для захисту двигуна. У цьому випадку описані в наступній таблиці індикаторні лампочки не горять і не мигають.

Усі інші захисні функції можна ідентифікувати за індикаторними лампочками, описаними в наступній таблиці. (Мал. 11)

		Стан	Дії, яких слід ужити
-	Миготіння	Акумулятор майже розрядився.	Замініть акумулятор на повністю заряджений.
-	Горить	Запобіжник акумулятора відключає живлення – акумулятор розрядився.	Замініть акумулятор на повністю заряджений.
Миготіння	-	Захисний пристрій від перенавантаження відключає живлення – двигун заблокований.	Відпустіть курковий вмикач та нейтралізуйте причину блокування двигуна або перенавантаження. Якщо ріжуча частина заблокована бур'яном, що заплутався, то перед її очищенням завжди знімайте акумулятор.
Горить	-	Захисний пристрій від перегріву відключає живлення – перегрів.	Дозвольте пристрою відпочити деякий час.
Миготіння	Миготіння	Електрична або електронна несправність	Зверніться до місцевого авторизованого сервісного центру.

010823

## Ріжуча голівка з нейлоновим шнуром (додаткове приладдя до виробу, що постачається з ріжучою пластиною)

### ПРИМІТКА:

- Не намагайтеся висунути голівку за допомогою удару, коли інструмент працює на високих обертах. Висування за допомогою удару на високій швидкості обертання може пошкодити ріжучу голівку з нейлоновим шнуром.
- Механізм висування за допомогою удару не буде діяти належним чином, якщо голівка не обертається. (Мал. 12)

Ріжуча голівка з нейлоновим шнуром – це подвійна голівка кордової газонокосарки, конструкція якої оснащена механізмом випускання шнура за рахунок удару. Для випускання нейлонового шнура ріжучу голівку потрібно вдарити об землю на низькій швидкості обертання. При висуванні нейлонового шнура він автоматично зрізається до потрібної довжини ріжучими елементами на подовжувачі захисного кожуха.

















### ПРИМІТКА:

Якщо нейлоновий шнур не висувається за допомогою удару, згорніть та замініть його так, як описано нижче в розділі "Технічне обслуговування".

## Індикатор залишкового ресурсу акумулятора (тільки для моделей з акумулятором BL3622A)

Акумулятор BL3622A оснащено індикатором залишкового ресурсу акумулятора. (Мал. 13)

Натисніть кнопку СHECK (ПЕРЕВІРКА), щоб показати залишковий ресурс акумулятора. Індикаторні лампи горітимуть близько трьох секунд.

Індикаторні лампи			Залишковий ресурс
 Горить	 Вимк.	 Мигає	
E 		F 	від 70% до 100%
			від 45% до 70%
			від 20% до 45%
			від 0% до 20%
			Зарядіть акумулятор.
			Можливо, акумулятор вийшов з ладу.

011713

- Коли мигає тільки найнижча індикаторна лампа (поряд з "E") або не горить жодна індикаторна лампа, ресурс акумулятора вичерпано, тому інструмент не працює. У такому разі зарядіть акумулятор або замініть розряджений акумулятор повністю зарядженим.
- Коли навіть після завершення заряджання дві або більше індикаторних ламп не горять, термін служби акумулятора закінчився.
- Коли верхні дві та нижні дві індикаторні лампи горять по черзі, акумулятор, можливо, вийшов з ладу. Зверніться до місцевого авторизованого сервісного центру Makita.

### ПРИМІТКА:

- Показаний ресурс може бути нижче дійсного рівня під час використання або одразу після використання інструмента.
- Залежно від умов використання та температури оточуючого середовища показання можуть незначним чином відрізнятися від дійсного ресурсу.



# ЗБИРАННЯ

## **⚠ УВАГА:**

- **Завжди перевіряйте, щоб інструмент був вимкнений, а касета з акумулятором була знята, перед тим як проводити будь-які роботи на інструменті.** Невимкнення інструмента та незняття акумулятора може спричинити серйозну травму у разі його випадкового запуску.
- **Ніколи не запускайте інструмент, якщо він не повністю зібраний.** Робота з частково зібраним інструментом може спричинити серйозну травму у разі його випадкового запуску.

## Встановлення ручки

### Для моделі ВВС231U, ВС231UD

Уставте вал ручки в рукоятку, як показано на малюнку. Узгодьте отвір для гвинта у рукоятці із отвором у валу. Надійно затягніть гвинт. (Мал. 14)

Відпустіть ручку. Розмістіть ручку між затискачем та фіксатором ручки. Налаштуйте ручку на такий кут, який забезпечить зручну робочу позицію, потім міцно затягніть ручку. (Мал. 15)

### Для моделі ВВС300L, ВС300LD (Мал. 16)

Закріпіть захисний обмежувач та рукоятку на валу за допомогою чотирьох гвинтів. Переконайтеся в тому, що вузол рукоятки/захисного обмежувача встановлений між розпірною вставкою та стрілкою. Розмістіть захисний обмежувач з лівого боку інструмента. Потім затягніть чотири гвинти таким чином, щоб вузол рукоятки/захисного обмежувача не рухався та не обертася навколо валу.

## **⚠ УВАГА:**

- **Не знімайте та не стискайте роз'єднувач.** Роз'єднувач забезпечує певну відстань між обома руками. Розміщення вузла ручка/захисний обмежувач ближче до іншої ручки ніж довжина роз'єднувача може призвести до втрати контролю та до заподіяння серйозних травм.

## Встановлення захисного кожуха

### (Мал. 17 и 18)

## **⚠ УВАГА:**

- **Ніколи не використовуйте інструмент без встановленого захисного кожуха, показаного на малюнку.** Невиконання цієї умови може призвести до серйозних травм.

## **⚠ ЗАСТЕРЕЖЕННЯ:**

- **При встановленні подовжувача захисного кожуха не торкайтеся гострого різального елемента для нейлонового шнура, що знаходиться на ньому.** Доторкання до різального елемента може призвести до травми.

Прикріпіть на редуктор захисну кришку. Натисканням злегка нахиліть виступи назовні та уставте болти в отвори у виступах. (Мал. 19)

## **ПРИМІТКА:**

- **Не слід занадто сильно нахилити виступи назовні.** Інакше вони можуть зламатися.

Прикрутіть захисний кожух до кріплення за допомогою двох болтів, як показано на малюнку. Затягніть лівий та правий болти рівномірно. (Мал. 20)

При використанні ріжучої голівки з нейлоновим шнуром слід встановлювати подовжувач захисного кожуха. Уставте подовжувач захисного кожуха у монтажну напрямку з нижнього боку захисного кожуха. Посуньте його на місце, доки не почуєте звук клацання та подовжувач захисного кожуха не зафіксується на місці. Конструкція подовжувача захисного кожуха дає можливість установити його лише в одному напрямку в захисному кожусі. (Мал. 21)

## **ПРИМІТКА:**

- При першому використанні зніміть плівку, наклеєну на лезо, що ріже нейлоновий шнур, на подовжувачі захисного кожуха. (Мал. 22)

Щоб зняти подовжувач захисного кожуха, візьміть викрутку з плоским лезом і вставте її у малу виїмку на фіксуючому виступі. Щоб розблокувати подовжувач захисного кожуха, натисніть на фіксуючий виступ, переміщуючи нижню частину подовжувача у напрямку, показаному на малюнку. Коли подовжувач захисного кожуха почне переміщатися, це означає, що він розблокований і його можна зняти, продовжуючи тягнути його з кожуха.

## Встановлення ріжучої пластини

## **⚠ УВАГА:**

- **Зовнішній діаметр ріжучої пластини повинен дорівнювати 230 мм.** Ніколи не використовуйте пластину, зовнішній діаметр якої перевищує 230 мм.

## **⚠ УВАГА:**

- Ріжуча пластина має бути заточеною, на ній не повинно бути тріщин або пошкоджень. Заточуйте або замінійте ріжучу пластину кожні три години роботи.
- Під час роботи з ріжучою пластиною завжди вдягайте рукавиці.
- Коли інструмент не використовується, а також під час його перевезення, завжди одягайте кришку на лезо.
- Гайка, що затягує ріжучу пластину (з пружинною шайбою) є роз'їдним матеріалом. При появі будь-яких ознак зношення або деформації пружинної шайби замініть гайку. Зверніться до місцевого авторизованого сервісного центру з приводу замовлення гайки.

## **ПРИМІТКА:**

- Переконайтеся, що ви використовуєте оригінальну ріжучу пластину Makita.

Переверніть інструмент, щоб було легко замінити ріжучу пластину. (Мал. 23)

Щоб зняти ріжучу пластину, вставте шестигранний ключ в отвір захисної кришки та редуктора.

Повертайте прийомну шайбу, доки вона не буде затягнута шестиграним ключем. Послабте шестигранну гайку (ліва різьба) торцевим гайковим ключем та зніміть гайку, затисну шайбу та шестигранний ключ. (Мал. 24)

Встановіть ріжучу пластину на вал, щоб зафіксувати напрямний пристрій прийомної шайби в отворі



затискного патрона ріжучої пластини. Встановіть затискну шайбу і ковпачок та зафіксуйте ріжучу пластину гайкою з крутним моментом від 13 до 23 Нм, утримуючи прийомну шайбу шестигранним ключем. (Мал. 25)

Переконайтеся, що лезо направлено лівою стороною вгору.

## Встановлення ріжучої голівки з нейлоновим шнуром

### ⚠ УВАГА:

- Використовуйте ріжучу голівку з нейлоновим шнуром, лише якщо встановлений захисний кожух і подовжувач захисного кожуха. Невиконання цієї умови може призвести до серйозних травм.

### ПРИМІТКА:

- Переконайтеся, що ви використовуєте оригінальну ріжучу голівку з нейлоновим шнуром Makita. Переверніть інструмент, щоб було легко замінити ріжучу голівку з нейлоновим шнуром. (Мал. 26) Вставте шестигранний ключ в отвір захисної кришки та редуктора та поверніть прийомну шайбу, доки вона не буде затянута шестигранним ключем. Встановіть ріжучу голівку з нейлоновим шнуром безпосередньо у шпіндель із різьбовим кінцем та затягніть, повертаючи проти годинникової стрілки. Зніміть шестигранний ключ. Щоб зняти ріжучу голівку з нейлоновим шнуром, поверніть ріжучу голівку з нейлоновим шнуром за годинниковою стрілкою, притримуючи прийомну шайбу шестигранним ключем.

### ⚠ УВАГА:

- Якщо під час роботи ріжуча голівка з нейлоновим шнуром випадково вдариться об камінь або твердий предмет, газонокосарку слід зупинити і перевірити на наявність пошкоджень. У разі пошкодження ріжучої голівки з нейлоновим шнуром, її слід негайно замінити. Використання пошкодженої ріжучої голівки з нейлоновим шнуром може призвести до серйозної травми.

## РОБОТА

### Правильне поводження з інструментом (VBC231U, BC231UD)

#### Правильне положення тіла

### ⚠ УВАГА:

- Завжди розташовуйте інструмент праворуч, щоб ліва частина ручки завжди була перед вами. Правильне положення інструмента забезпечує максимальний контроль і знижує ризик отримання серйозної травми в результаті віддачі. Зафіксуйте плечовий ремінь, як показано на малюнку, та міцно прикріпіть інструмент праворуч, щоб ліва частина ручки завжди була перед вами. (Мал. 27)

#### Присідання плечового ремня (Мал. 28)

Надягніть плечовий ремінь на спину та застібніть пряжку до кляцання. Переконайтеся, що він не

зімнеться, якщо його потягнути. Прикріпіть інструмент, як показано на малюнку.

#### Від'єднання (Мал. 29)

Пряжку можна швидко роз'єднати, просто стиснувши її по боках.

### ⚠ УВАГА:

- Будьте надзвичайно обережні, щоб зберегти контроль над інструментом в цей час. Не дозволяйте інструменту відхилитися у ваш бік або в бік інших осіб поблизу місця роботи. Невиконання цієї умови може призвести до серйозних травм.

#### Регулювання положення кріплення для підвішування та плечового ремня

У разі заміни одного приладдя іншим загальна вага інструмента може змінитися. У такому разі положення кріплення для підвішування та довжину плечового ремня слід відрегулювати наступним чином.

Щоб змінити положення кріплення для підвішування, послабте фіксуючий гвинт на кріпленні для підвішування за допомогою гайкового ключа, а потім пересуньте кріплення для підвішування та підкладку. Положення підкладки легко змінити, прокрутивши її. Відрегулюйте положення кріплення для підвішування та довжину плечового ремня таким чином, щоб:

- кріплення для підвішування було розташоване на відстані 750 мм або більше від поверхні землі,
- ріжучий інструмент був розташований на відстані 100–300 мм від поверхні землі та
- незахищена кожухом частина ріжучого інструмента знаходилася від кріплення для підвішування на відстані 750 мм або більше по горизонталі.

#### (Мал. 30)

Після регулювання положення кріплення для підвішування, надійно затягніть гвинт за допомогою гайкового ключа.

### Правильне поводження з пристроєм (VBC300L, BC300LD)

#### Правильне положення тіла

### ⚠ УВАГА:

- Завжди розташовуйте пристрій праворуч, щоб захисний обмежувач завжди був перед вами. Правильне положення інструмента забезпечує максимальний контроль і знижує ризик отримання серйозної травми в результаті віддачі.

Як показано на малюнку, надягніть плечовий ремінь на ліве плече, пропустивши його через голову та праву руку, й тримайте інструмент праворуч, щоб захисний обмежувач завжди знаходився перед вами. (Мал. 31)

#### Присідання плечового ремня (Мал. 32)

Після того як ви надягли плечовий ремінь, його можна прикріпити до інструмента, з'єднавши пряжки на крючку інструмента і на реміні. Перевірте, щоб пряжки заклацнулися і повністю зафіксувалися на місці.

#### Від'єднання (Мал. 33)

Пряжку можна швидко роз'єднати, просто стиснувши її по боках.

## **⚠ УВАГА:**

- **Будьте надзвичайно обережні, щоб постійно зберігати контроль над інструментом. Не дозволяйте інструменту відхилятися у ваш бік або в бік інших осіб поблизу місця роботи.**  
Втрата контролю над інструментом може призвести до серйозних травм оточуючих і оператора.

### **Регулювання положення кріплення для підвішування та плечевого ремня**

У разі заміни одного приладдя іншим загальна вага інструмента може змінитися. У такому разі положення кріплення для підвішування та довжину плечевого ремня слід відрегулювати наступним чином.

Щоб змінити положення кріплення для підвішування, послабте фіксуючий гвинт на кріпленні для підвішування за допомогою гайкового ключа та пересуньте кріплення для підвішування. Відрегулюйте положення кріплення для підвішування та довжину плечевого ремня таким чином, щоб:

- кріплення для підвішування було розташоване на відстані 750 мм або більше від поверхні землі,
- ріжучий інструмент був розташований на відстані до 300 мм від поверхні землі та
- захищена кожухом частина ріжучого інструмента знаходилася від кріплення для підвішування на відстані 750 мм або більше по горизонталі.

(Мал. 34)

Після регулювання положення кріплення для підвішування, надійно затягніть гвинт за допомогою гайкового ключа.

## **ОБСЛУГОВУВАННЯ**

### **⚠ УВАГА:**

- **Завжди перевіряйте, щоб інструмент був вимкнений, а касета з акумулятором була знята, перед проведенням перевірки або обслуговування.** Невимкнення інструмента та незняття акумулятора може спричинити серйозну травму у разі його випадкового запуску.

### **ПРИМІТКА:**

- Ніколи не використовуйте газолін, бензин, розріджувач, спирт та подібні речовини. Їх використання може призвести до зміни кольору, деформації та появи тріщин.

### **Додавання консистентного мастила у редуктор (Мал. 35)**

Додавайте консистентне мастило (Shell Alvania 2 або його еквівалент) у редуктор через мастильний отвір кожні 30 годин. (Оригінальне консистентне мастило Makita ви можете придбати у дилера компанії Makita.)

### **Заміна нейлонового шнура**

#### **⚠ УВАГА:**

- **Завжди перевіряйте, щоб інструмент був вимкнений, а касета з акумулятором була знята, перед проведенням перевірки або обслуговування.** Невимкнення інструмента та незняття акумулятора може спричинити серйозну травму у разі його випадкового запуску.
- **Переконайтеся, що кришка ріжучої голівки з нейлоновим шнуром надійно закріплена у**

**корпусі, як описано нижче.** Ненадійне закріплення кришки може призвести до відлітання ріжучої голівки з нейлоновим шнуром і завдання серйозної травми. (Мал. 36)

Щоб зняти кришку, натисніть всередину на фіксатори корпусу і підніміть вгору. Викиньте залишки нейлонового шнура. (Мал. 37)

Причепіть середину нового нейлонового шнура у виймі, розташований в центрі котушки між 2 каналами, призначеними для нейлонового шнура. Одна сторона шнура повинна бути приблизно на 80 мм довше за другу.

Міцно намотайте обидва кінці навколо котушки у напрямку, позначеному на голівці для лівого напрямку, вказаному як LH. (Мал. 38)

Не намотуйте приблизно 100 мм шнурів, просмикнувши кінці крізь проріз збоку котушки та тимчасово залишивши їх в такому положенні.

(Мал. 39)

Встановіть котушку в корпус таким чином, щоб пази та виступи котушки відповідали пазам та виступам корпусу. Бік котушки з нанесеними літерами має бути зверху. Тепер виведіть кінці шнура з їх тимчасового положення та просуньте у ушка таким чином, щоб вони виступали з корпусу. (Мал. 40)

Розташуйте виступи, що знаходяться з нижнього боку кришки, на одній лінії з прорізами ушок. Потім міцно натиснувши на кришку, закріпіть її на корпусі.

Впевніться, що фіксатори повністю увійшли в кришку.

Для забезпечення БЕЗПЕКИ та НАДІЙНОСТІ виробу його ремонт, а також роботи з обслуговування або регулювання повинні виконуватись вповноваженими або заводськими сервісними центрами Makita із використанням запчастин виробництва компанії Makita.

## **УСУНЕННЯ НЕСПРАВНОСТЕЙ**

Перш ніж віддати пристрій у ремонт, проведіть перевірку власноруч. Якщо ви знайшли неполадку, яка не пояснюється в цій інструкції, не робіть спробу розібрати інструмент. Замість цього зверніться до авторизованих сервісних центрів Makita та використовуйте запчастини виробництва компанії Makita.

Статус несправності	Причина	Дія
Двигун не працює.	Касета з акумулятором не встановлена.	Встановіть касету з акумулятором.
	Проблема з акумулятором (знижена напруга)	Зарядіть акумулятор. Якщо перезарядження не призвело до бажаного результату, замініть акумулятор.
	Система привода працює неправильно.	Зверніться до місцевого авторизованого сервісного центру з приводу ремонту.
Двигун перестає працювати після короткотривалого використання.	Пристрій обертається з зворотному напрямку	Змініть напрямок обертання за допомогою перемикача зворотного ходу.
	Низький рівень заряду акумулятора.	Зарядіть акумулятор. Якщо перезарядження не призвело до бажаного результату, замініть акумулятор.
	Перегрів.	Зупиніть пристрій і дайте йому охолонути.
Він не досягає максимальної швидкості обертання.	Акумулятор невірно встановлений.	Встановлюйте касету з акумулятором, як зазначено в цій інструкції.
	Заряд акумулятора зменшується.	Зарядіть акумулятор. Якщо перезарядження не призвело до бажаного результату, замініть акумулятор.
	Система привода працює неправильно.	Зверніться до місцевого авторизованого сервісного центру з приводу ремонту.
Ріжуча частина не обертається: негайно зупиніть пристрій!	Сторонній об'єкт, такий як гілка, застряг між захисним кожухом та ріжучою голівкою з нейлоновим шнуром або ріжучою пластиною.	Приберіть сторонні предмети.
	Гайка, що затягує ріжучу пластину, не затянута.	Затягніть гайку належним чином, як зазначено в цій інструкції.
	Ріжуча пластина зігнута.	Замініть ріжучу пластину.
	Система привода працює неправильно.	Зверніться до місцевого авторизованого сервісного центру з приводу ремонту.
Незвичайна вібрація: негайно зупиніть пристрій!	Один з нейлонових шнурів було пошкоджено, в результаті чого голівка розбалансувалася.	Вдарте ріжучу голівку з нейлоновим шнуром об землю, коли вона обертається, щоб випустити шнур.
	Ріжуча пластина зігнута, зламана або зношена.	Замініть ріжучу пластину.
	Гайка, що затягує ріжучу пластину, не затянута.	Затягніть гайку належним чином, як зазначено в цій інструкції.
	Ріжуча пластина не затянута належним чином.	
Система привода працює неправильно.	Зверніться до місцевого авторизованого сервісного центру з приводу ремонту.	
Ріжуча частина та двигун не зупиняються: Негайно змініть акумулятор!	Електрична або електронна несправність.	Змініть акумулятор та зверніться до місцевого авторизованого сервісного центру з приводу ремонту.

## ДОДАТКОВЕ ПРИЛАДДЯ

### УВАГА:

- Це додаткове обладнання та приладдя рекомендується використовувати з вашим інструментом Makita у відповідності до цих інструкцій з використання. Використання будь-якого іншого додаткового та допоміжного обладнання може становити небезпеку травмування. Використовуйте додаткове та допоміжне обладнання тільки за призначенням.

Якщо вам необхідна допомога та більш детальна інформація про додаткове обладнання, зверніться до місцевого сервісного центру Makita.

- Ріжуча пластина
- Ріжуча голівка з нейлоновим шнуром
- Насадка ножиці для шпалерника (для моделі BBC300L, BC300LD)
- Насадка штангова пила (для моделі BBC300L, BC300LD)
- Насадка культиватор (для моделі BBC300L, BC300LD)
- Оригінальний акумулятор та зарядний пристрій Makita

### ПРИМІТКА:

- Деякі елементи списку можуть входити до комплекту інструмента як стандартне приладдя. Вони можуть відрізнятися залежно від країни.

Makita Corporation

Anjo, Aichi, Japan

[www.makita.com](http://www.makita.com)