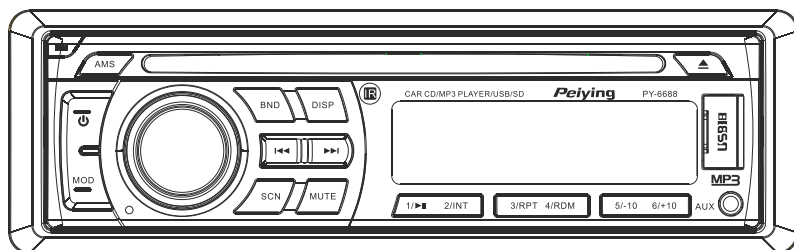


# Peiying®

---

## Owner's manual Car receiver Peiying Basic



CE

PY6688

English 1-18

Polski 19-38

Română 39-58

Deutsch 59-78



**CONTENTS**

Instalation .....	02
Additional information .....	04
General operations .....	05
Radio operations .....	08
CD/SD/MMC/USB operations .....	10
MP3/WMA overview .....	13
Remote control layout .....	14
Specification .....	16
Before playing discs .....	17
Trouble shooting .....	18

## **INSTALLATION**

Choose the mounting location where the unit will not interfere with the normal driving function of the driver.

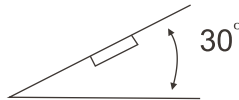
Before finally installing the unit, connect the wiring temporarily and make sure it is all connected up properly and the unit and the system work properly.

Use only the parts included with the unit to ensure proper installation. The use of unauthorized parts can cause malfunctions.

Consult with your nearest dealer if installation requires the drilling of holes or other modifications of the vehicle.

Install the unit where it does not get in the driver's way and cannot injure the passenger if there is a sudden stop. Like an emergency stop.

If installation angle exceeds 30 from horizontal, the unit might not give its optimum performance.



Avoid installing the unit where it would be subject to high temperature, such as from direct sunlight, or from hot air, from the heater, or where it would be subject to dust, dirt or excessive vibration.

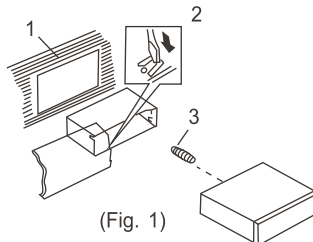
### **DIN FRONT-MOUNT (Method A)**

Installing the unit

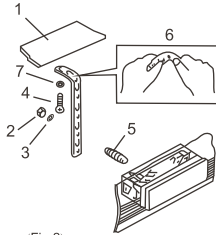
1. Dashboard

2. Holder

After inserting the holder into the dashboard, select the appropriate tab according to the thickness of the dashboard material and bend them inwards to secure the holder in (Fig. 1) place.



3. Screw

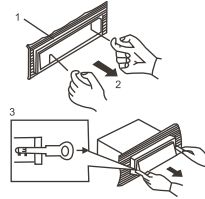


(Fig 2)

1. Dashboard
2. Nut (5mm)
3. Spring Washer
4. Screw (5 x 25mm)
5. Strap
6. Strap
7. Plain Washer

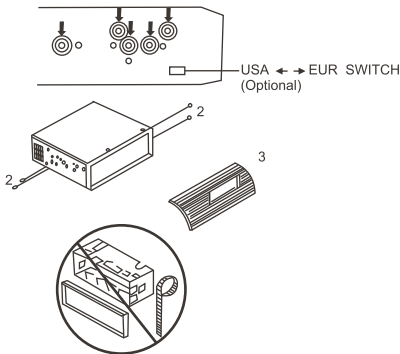
Be sure to use the strap to secure the back of the unit in place. The strap can be bent by hand to the desired angle.

Removing the unit



(Fig 3)

1. Frame  
Insert fingers into the groove in the front of frame and pull out to remove the frame. (When reattaching the frame, point the side with a groove downwards and attach it.)
2. Lever  
Insert the levers supplied with the unit into the grooves at both sides of the unit and shown in figure until they click. Pulling the levers makes possible to remove the unit from the dashboard.



Fastening the unit to the factory radio mounting bracket:

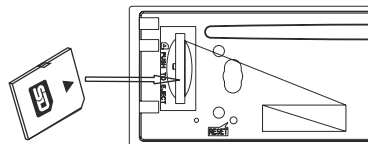
1. Select a position where the screw holes of the bracket and the screw holes of the main unit become aligned (are fitted), and tighten the screws at 2 places on each side. Use either truss screws (5 x 5mm) or flush surface screws (4 x 5mm)
2. Screw
3. Dashboard or Console

## DIN REAR-MOUNT (Method B)

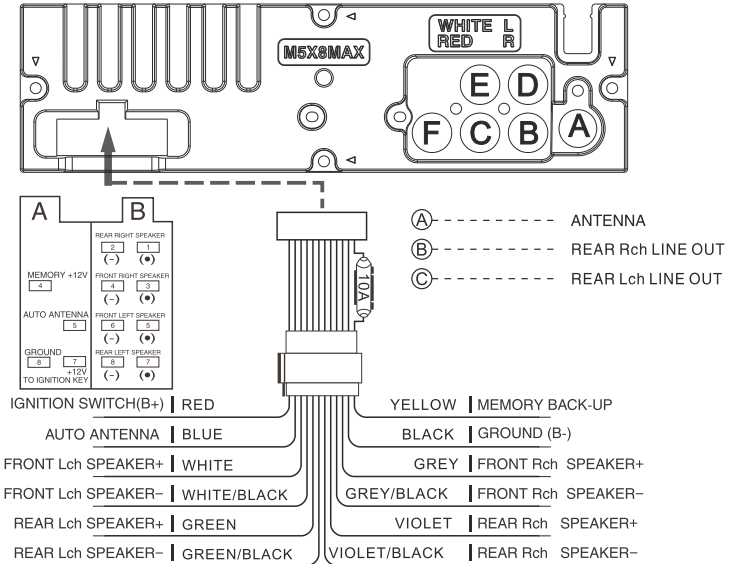
Installation using the screw holes on the sides of the unit

## INPUT THE SD CARD

The SD oblique angle keeps rightward exposure, put into the SD slot and press it again to eject.



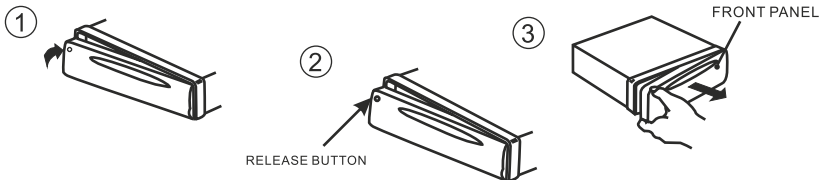
**ADDITIONAL INFORMATION**



**HOW TO INSTALL AND REMOVE THE FRONT PANEL**

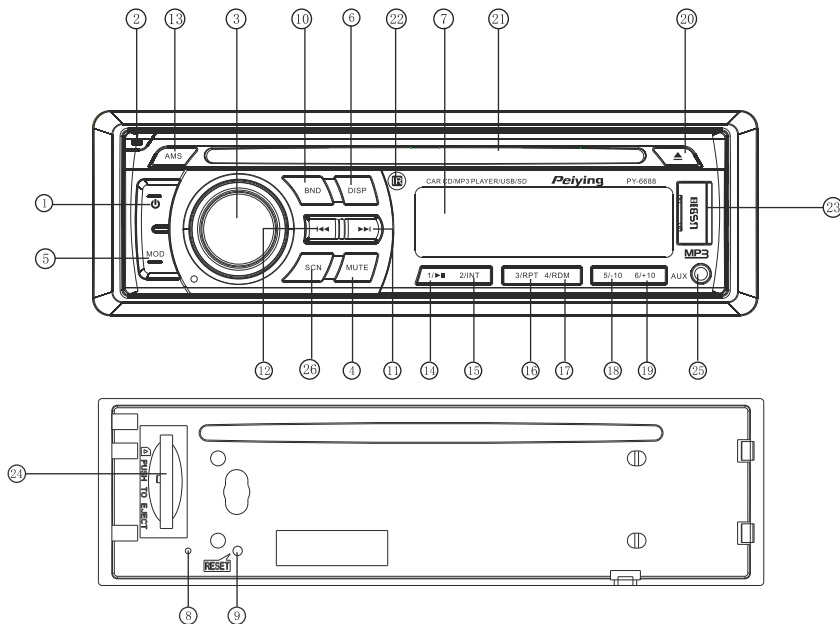
**INSTALLING THE FRONT PANEL**

To install the front panel, insert the panel into the housing and make sure the panel is properly installed, otherwise, abnormalities occurs on the display or some keys will not function properly



# GENERAL OPERATIONS

## FRONT PANEL LAYOUT



- |                                    |                              |
|------------------------------------|------------------------------|
| 1. Power Button                    | 15. Intro & Preset Button 2  |
| 2. Release Button                  | 16. Repeat & Preset Button 3 |
| 3. Volume/ Sel Button              | 17. Random & Preset Button 4 |
| 4. Mute Button                     | 18. Preset Button 5          |
| 5. Mode switch                     | 19. Preset Button 6          |
| 6. Display Button                  | 20. Eject knob               |
| 7. LCD Display                     | 21. CD Slot                  |
| 8. Flashing LED                    | 22. Remote Control Sensor    |
| 9. Reset Button                    | 23. USB connector            |
| 10. Band switch                    | 24. SD/MMC Slot              |
| 11. Tune Seek&Track forward Button | 25. AUX IN JACK              |
| 12. Tune Seek&Track reverse Button | 26. SCN button               |
| 13. Automatically memory storing   |                              |
| 14. Play / Pause & Preset Button 1 |                              |

## Power ON/OFF

Press any button to turn the unit on. Press and hold POWER button to turn off the unit.

**Note:** After the unit is off, the volume level and radio current settings will be memorized, and when you turn the unit on it will resume the stored status, which you set.

## FRONT PANEL RELEASE

Press REL button (2) to detach the removable front panel

## SOUND ADJUSTMENT

Turn on (3) can adjust the desired volume quality.

A). Press SEL button (3) will change in the following order.

Option:



## Volume control/select

Turn this knob to right of left, you can adjust VOL/BASS/TREB/BAL/FAD . To select the functions, press the VOL knob shortly until the desired functions are shown on the display.

Increase or decrease the volume by turn the VOL knob right or left. These buttons can be used to adjust the BASS, TREBLE, BALANCE and FADER.

## BASS

Press VOL/SEL button(3) to BASS mode. Adjust bass level by using VOL/SEL(3) Knob.

## TREBLE

Press VOL/SEL button(3) to TREBLE mode. Adjust treble level by using VOL/SEL(3) Knob.

## BALANCE

Press VOL/SEL button(3) to BALANCE mode. Adjust sound balance between left and right speakers by using VOL/SEL(3)Knob.

## FADER

Press SEL button(3) to FADER mode. Adjust sound balance between front and rear speakers by using VOL/SEL(3)Knob .



## OTHERS ADJUSTMENT

Press VOL/SEL button(3) for several seconds, it is activated as cyclical mode of following functions for user's selection.



Press and hold this button will go to different modes:

Press and hold will go to DSP mode automatically;

by turning this function button to choose Flat ,CLASSIC , Pop and Rock.

by press the function button to select your favorite DSP mode.

When in the DSP mode, press the function button once will to ESP mode:

by turning the function button to choose 12 seconds or 45 seconds ESP.

by press the function button to select your desire ESP seconds,

When in the DSP mode press the function button twice will go to BEEP mode (the key pad tone) by turning the function button to choose on or off by press the function button to select on or off.

### VOL LAST/ADJUST

This function allows to set the volume level of the unit after it was turned off and then turned on

again. Choose VOL LAST if you want the volume level to be the same as it was before turning off.

VOL ADJUST allows to choose volume level.

### SEEK MODE

SEEK 1: When SEEK 1 mode is activated, AUTO SEEK SCAN is stopped when station is detected even user still push SEEK button,

SEEK 2: Auto SEEK SCAN is not stopped even if station is detected if user pushes SEEK button. When releases SEEK button, then stop when station is detected.

## MUTE

Press MUTE button (4) to mute down the sound. Press it again to release this mode and recover previous volume level.

### SELECT MODE

By pressing this button(5) to go to different function mode:

- Tuner (radio)
- CD (MP3 CD)  
to go to this mode must be have a CD in.
- Memory Card  
to go to this mode must be have a Memory Card in.
- USB  
to go to this mode USB device must be connected.
- AUX in put

### DISPLAY

Press DISP button (6) to operate as the conversion of each display mode as follow:

- Time is displayed for 5sec when DISP key is pressed, and it returns to its previous display ( Folder, File name...) unless DISP key is pressed again.
- 3) From the clock mode, when DISP Key is pressed for longer than 1sec, clock mode switches to clock Adjusting mode and the clock display begins flashing. At this time clock can be changed by pressing (+/-), or the ENCODER VOLUME.

### LIQUID CRYSTAL DISPLAY

Exhibit current frequency and activated functions on the display (7).

### FLASHING LED

If the front panel does not install in the main unit, the LED (8) will be flashing.

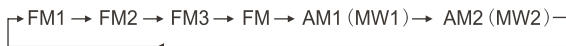
## ***RADIO OPERATIONS***

### BAND SELECTION

At tuner mode, press BAND button (10) to select the desired band. The reception band will change in the following order:



or:



## STATION SELECTION

Press TUNE/SEEK/TRACK FORWARD button (11) or TUNE/SEEK/TRACK REVERSE button (12) shortly for manual tuning function.

Press for several seconds the automatic tuning mode (SEEK mode) is selected.

## AUTOMATICALLY MEMORY STORING & PROGRAM SCANNING

- Automatically Memory Storing

Press AMS(MP3) button (13) for several seconds, the radio searches from the current frequency and checks the signal strength until one cycle search is finished.

And then 6 strongest stations are stored into the corresponding preset number button.

- Program Scanning

Press AMS(MP3) button (13) shortly to scan preset station. When the field strength level is more than the threshold level of stop level, the radio is holding at that preset number for several seconds with releasing mute, then searches again.

## STATION STORING

Press preset button (14~19)

1) RADIO MODE.

M1 ~ M6

- PRESET MEMORY is loaded when key is pressed for less than 1 second.

- PRESET MEMORY is saved when key is pressed for longer than 1 sec.

2) CD/ MP3 / FLASH MP3

PLAY / PAUSE

Press preset button (14) is activated. During a PAUSE, DISC INDICATOR flashes.

TOP - First song will play when Top key is pressed for longer than 0.5sec during play.

INT

Press preset button (15). During INTRO ON, INT indicator comes on and begins playing the first 10sec of each song, until the last song is played. It begins playing the entire track from where INT started

## SCAN

Press scan button (26) to search radio station. When a station signal strength level more than the level to stop. The radio will playing the station for 5 seconds and the frequency blinking on the LCD at the same time. Press and hold scan button (26) more than 3 seconds to select the station which you desired. The radio will start play the station.

## AREA USA/EUR SETUP

In Radio mode press SEL button for several seconds. LCD will be show from DSP OFF/ON -> AREA USA/EUR. At AREA USA/EUR. You can use VOL +/- to select the AREA frequency.

## **CD/SD/MMC/USB OPERATIONS**

### **Discs for playback:**

This unit can play disc types: CD/CD -R/-RW.  
Compatible with formats: CDDA/MP3/WMA.

### **Loading and ejecting a disc**

1. Turn the power on.
2. Insert the disc with the printed side facing upward into the slot.
3. Press EJECT button to eject the disc.

### **Multi-media card MMC/SD card slot**

Support MP3/WMA ID3 format music only. Detach the front panel. Carefully insert the SD/MMC card into the card slot on the inner panel. Attach the panel. Unit starts playback automatically.

### **USB jack**

Carefully connect the USB driver to the USB adapter cable and then insert it into the USB jack on the front panel. Unit starts playback automatically.

### **USB/SD/MMC notes:**

USB functions (flash memory type) MP3 music play.

1. SD/ MMC card support.
2. FAT 12/ FAT 16/ FAT 32 is possible
  - FAT 12/16 (dir: 200 support, file:500 support),
  - FAT 32 (dir: 200 support, file:500 support).
3. Filename: 32 byte/ Dir name: 32byte.
4. Tag (id3tag ver2.0)
  - Title/ Artist/ Album: 32 byte support.
5. Multi card reader not support.
6. USB 2.0 support.

### **Note:**

**USB** format supports 2.0.

Capacity: up to 4 GB.

**SD cards** brands: Cannon, Fuji film, Palm, Motorola, Microsoft, IBM, HP, Compaq, Sharp, Samsung, etc.

Capacity: up to 4 GB.

**MMC cards** brands: Ericsson, Nokia, Motorola, HP, Palm, Sanyo, Microsystems, etc.

Capacity: up to 4 GB.

**Note:** Because of the great variety of products with SD and MMC card slots and their sometimes quite manufacturer-specific functions the producer can neither guarantee that all devices will be recognized nor that all operating options that are possible in theory will actually work.

**ID3 Tag information**

This unit supports ID3 tag ver2.0. If an MP3 file has ID3 Tag information, it will be displayed on the LCD. If there is no ID3 Tag information, nothing will be shown on LCD. The ID3 Tag information may include File, Folder, Music, Album or Artist data.

**NEXT/PREVIOUS**

Press NEXT/PREVIOUS buttons to choose next or previous track. Press longer than 1 sec., to choose forward playback or backward playback.

**PLAY/PAUSE**

Press PAUSE button to pause the playback, press one more time to resume the normal playback.

**INTRO** (Preview all Tracks)

When this button is pressed, "INT ON" indication is displayed and the first several seconds of each track of the disc is played. Press again to stop intro and listen to track.

**REPEAT**

When RPT button is pressed, "RPT ON" indication is displayed and playback of the selected track will be continually repeated until the track repeat mode is cancelled by pressing RPT button again.

**RANDOM**

When RDM button is pressed, "RDM ON" indication is displayed and each track of the disc is played in random instead of normal order. To cancel RANDOM mode, press RDM button again.

**TRACK DOWN/UP SELECT** (In case of MP3/WMA files)

-10/5 button: 10 Track down

+10/6 button: 10 Track up

**SELECTION OF MP3/WMA FILES****1. Searching Time:**

- Press AMS one time, then searching time is activated.
- Turn VOL knob to right or left, select the time you want.
- Press VOL knob, then the select time of the song will play.

**2. Searching Track:**

- Press AMS twice, then searching track is activated.
- Turn VOL knob to right or left, select the track you want.
- Press VOL knob, the song you selected will start.

**3. Searching File Name:**

- Press AMS 3 times, then file search is activated.
- Press VOL knob, then the first directory is displayed.
- Turn VOL knob to right or left, you can select the directory you want.
- Press VOL knob again, then the directory is fixed and the first file name is displayed.
- Turn VOL knob to right or left, you can select the file you want.
- Press VOL knob, then the song you selected will start.

**4. Searching Character:**

- Press AMS 4 times, then character search mode is activated.
- Press VOL knob, then \* character is displayed.
- Turn VOL knob to right or left, you can select the letter you want.
- Press VOL knob longer than 2 sec.
- The song which has same character you selected is displayed.
- Turn VOL knob to right or left, you can select the song you want.
- Press VOL knob, then the song you selected will start.

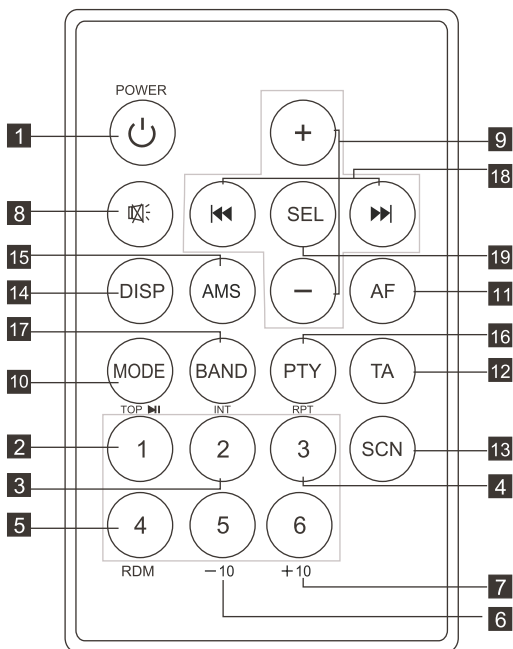
## **MP3/WMA OVERVIEW**

- MP3 is short for MPEG Audio Layer 3 and refers to an audio compression technology standard.
- This product allows playback of MP3 files on CD-ROM, CD-R or CD-RW discs.
- The unit can read MP3 files written in the format compliant with ISO 9660. However it does not support the MP3 data written by the method of packet write.
- The unit can not read an MP3 file that has a file extension other than “.mp3”
- If you play a non- MP3 file that has the “.mp3” extension, you may hear some noise.
- In this manual, we refer to what are called “MP3 file” and “ folder” in PC terminology as “ track ” and “ album ”, respectively.
- Maximum number of directory level is 8, including the root directory. Maximum number of files and folders per disc is 256.
- The unit may not play tracks in the order of Track numbers.
- The unit plays only the audio tracks if a disc contains both audio tracks and MP3 files.
- When playing a disc of 8 kbps or “VBR”, the elapsed playing time in the display window will not be correct and also the intro play may not function properly. “ VBR ”:Variable Bit Rate.
- The unit supports the playback of WMA files. The playback of ID3 tags for WMA format is not guaranteed, it depends on versions and availability of Cyrillic alphabet.
- WMA (Windows Media Audio) -music data compression format, created by Microsoft Corporation. This format uses coding algorithm for compression of initial audio-record, greatly decreasing the file size, but, saving the good sound quality even when the bit rate is low (for example, 64 Kbit/s).
- Remember that the unit may not play the tracks in order they are written on disc.

### **Notes on creating your own CD-R or CD-RW containing MP3 files:**

- To enjoy high quality sound, we recommend converting to MP3 files with a sampling frequency of 44.1 kHz and a fixed bit rate of 128 kbps.
- DO NOT store more than 256 MP3 files per disc.
- For ISO 9660 - compliant format, the maximum allowable depth of nested folders is 8, including the root directory (folder).
- When CD-R disc is used, playback is possible only for discs, which have been finalized.
- Make sure that when MP3 CD-R or CD-RW is burned that it is formatted as a data disc and NOT as an audio disc.
- You should not write non-MP3 files or unneeded folders along with MP3 files on the disc otherwise it takes a long time until the unit starts to play MP3 files.
- With some CD-R or CD-RW media, data may not be properly written depending on its manufacturing quality. In this case, data may not be reproduced correctly. High quality CD-R or CD-RW disc is recommended.
- Up to 16 characters are displayed for the name of an Album or a Track. ID3TAG version 1.x is required.
- Note that the unit may not play Tracks in the order that you wrote them to the disc.

REMOTE CONTROL



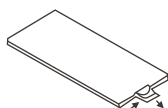
- |   |  |
|---|--|
| <b>1</b> Power Button                   | <b>10</b> Mode Switch                        |
| <b>2</b> Pause/play/ Preset Button1     | <b>11</b> Alternative Frequencies Button     |
| <b>3</b> Intro/Presets Button2          | <b>12</b> Traffic Announcement Button        |
| <b>4</b> Repeat Playing/Presets Button3 | <b>13</b> Scan Button                        |
| <b>5</b> Random/Presets Button4         | <b>14</b> Display Button                     |
| <b>6</b> Preset Button5                 | <b>15</b> APS/AMS Button                     |
| <b>7</b> Preset Button6                 | <b>16</b> Programme Type Button              |
| <b>8</b> Mute Button                    | <b>17</b> Band Switch                        |
| <b>9</b> Volume Control                 | <b>18</b> Tuning/Selecting Tracks/ F.F / F.R |
|   | <b>19</b> Select Button                      |



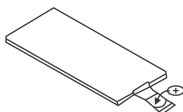
## *Replacing the Battery*

When the operational range of the remote control becomes short or non functions while operating. Replace a new CR2025 battery. Make sure the battery polarity before replacement

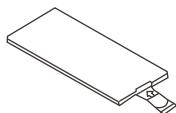
1. Pull out Battery Holder while pressing the stopper



2. Put the button type battery(+)mark upward into the Battery Holder.



3. Insert the Battery Holder into the Remote control



## **SPECIFICATION**

### **General**

Power Supply Requirements:	DC 14.4V“—”, Negative Ground
Load Impedance:	4 ohms
Maximum Output Power:	25W x 4 (CH)
Chassis Dimensions:	178 x 163x 50mm (W x D x H)
Current Drain:	10A

### **Tone Controls**

Bass (at 100Hz):	+10dB / -10dB
Treble (at 10K):	+10dB / -10dB

### **CD Player**

Signal to Noise Ratio:	More than 60dB
Channel Separation:	More than 60dB
Frequency Response:	20Hz - 20KHz

### **FM Radio**

Frequency Coverage (MHz):	87.5 - 108MHz
IF :	10.7MHz
Sensitivity (S/N-30dB):	12dBu
Stereo Separation:	>30dB

### **AM Radio**

Frequency Coverage (KHz):	522 - 1620KHz
IF :	450KHz
Sensitivity (S/N-20dB):	<42dBu

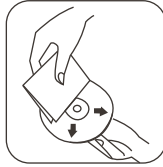
Remarks:

Specifications subject to change without notice

## ***BEFORE PLAYING DISCS***

### Cleaning the CD

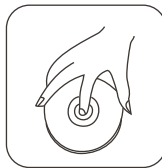
Before playing a CD, wipe it off with a clean, dust-free cleaning cloth. Wipe the disc in the direction of the arrow.



Always insert the CD with the label side facing upwards. If the CD is inserted with the printed side facing downwards, the device may be damaged.



Note: If there is already a CD in the CD slot, do not try to insert a second CD. This may damage the device. Always hold CDs by the edge. In order to keep the CD clean do not touch the surface. Pull out the CD as follows.



Do not attach any sticker or adhesive tape on the CD.  
Do not expose the CD to direct sunlight or sources of heating.  
Do not leave CDs in a car if it parked in direct sunlight as that will lead to a considerable rise in the temperature inside the car.

Note: Do not use any solvents such as petrol or thinning agents. Commercially available cleaning substances of antistatic spray will damage the device.

## TROUBLE SHOOTING

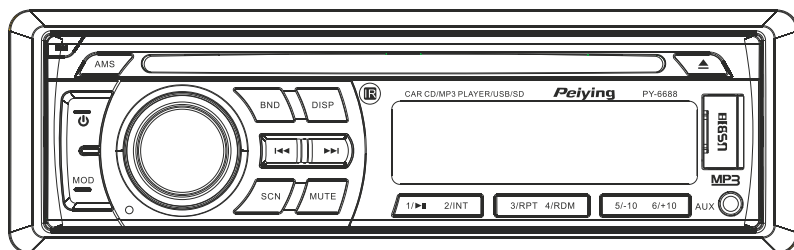
Before going through the check list, check wiring connection. If any of the problems persist after checklist has been made, consult your nearest service dealer

Symptom	Causes	Solution
No Power	The car ignition key not been switched on	If the power supply is properly connected to the car accessory terminal, switch the ignition key to ACC
	The fuse is blown	Replace a new fuse
CD Cannot Be Loaded or Ejected	A CD is already inside the player slot	Remove the CD from the player and insert the new one
	Inserting the CD in reverse direction	Insert the CD with the label facing up
	The CD is extremely dirty or defected	Clean the CD or try to play a new one
	Temperature inside the car is too high	Cool off until the ambient temperature return to normal
	Condensation	Leave the player off for an hour or so and try again
No Sound	Volume is at minimum	Adjust volume to desired level
	Wiring is not properly connected	Check wiring connection
Sound Skipping	The installation angle is more than 30°	Adjust the installation angle to less than 30°
	CD is extremely dirty or Defected	Clean the CD or try to play a new one
The Operation Keys Do Not Work	The built-in microcomputer is not operating properly due to Interference	Press the RESET button or reinstall the front panel properly
The Radio or Automatic Selection Does Not Work	The antenna cable is not connected correctly	Connect the antenna cable correctly
	The signals are too weak	Select the station manually

# Peiying®

---

## Instrukcja obsługi Radio samochodowe Peiying Basic



CE

PY6688

English 1-18

Polski 19-38

Română 39-58

Deutsch 59-78



**SPIS TREŚCI**

Instalacja .....	22
Informacje dodatkowe .....	24
Podstawowe operacje .....	25
Radio .....	28
CD/SD/MMC/USB .....	30
MP3/WMA .....	33
Pilot zdalnego sterowania .....	34
Specyfikacja .....	36
Czyszczenie płyt CD .....	37
Rozwiązywanie problemów .....	38

## INSTALACJA

### UWAGI

Zainstaluj radio w taki sposób aby nie utrudniało prowadzenia pojazdu.

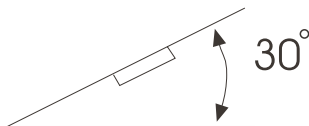
Przed ostatecznym zainstalowaniem radia w kieszeni podłącz wszystkie przewody i włącz radio aby sprawdzić czy cały system nagłośnienia działa poprawnie.

Do poprawnej instalacji radia użyj dołączonych do niego akcesoriów, zastosowanie nieautoryzowanych komponentów może skutkować niepoprawnym działaniem radia.

Skontaktuj się z autoryzowanym serwisem twojego samochodu jeżeli instalacja radia wymaga dokonania modyfikacji w samochodzie np. wywiercenia otworów itp.

Zainstaluj radio w sposób solidny i bezpieczny aby nie wyrządziło nikomu krzywdy w przypadku np. awaryjnego hamowania.

Jeżeli radio będzie zainstalowane pod kątem większym niż  $30^\circ$  od poziomu, może nie funkcjonować optymalnie.

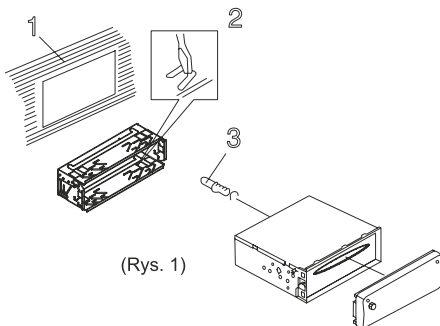


Nie instaluj radia w miejscach gdzie będzie narażone na nadmierne nagrzewanie się (bezpośrednie działanie promieni słonecznych, przy nawiewach ciepłego powietrza, w miejscach gdzie nadmiernie zbiera się kurz, brud itp.).

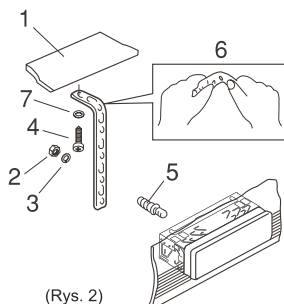
### INSTALACJA (METODA A)

Instalacja urządzenia

1. Deska rozdzielcza samochodu
2. Kieszeń  
Po zainstalowaniu kieszeni we wnęce, zabezpiecz ją przed wypadaniem przez odgięcie zaczepów.
3. Śruba







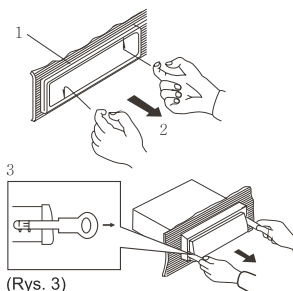
(Rys. 2)

1. Deska rozdzielcza
2. Nakrętka (5mm)
3. Podkładka
4. Śruba
5. Śruba
6. Uchwyt

Do przymocowania tylnej części radia użyj uchwytu (6). Uchwyt ten można łatwo wyginać ręką.

7. Podkładka

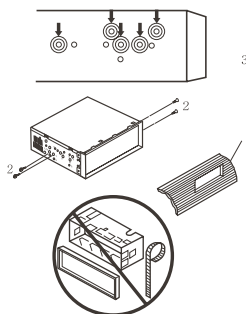
## DEMONTAŻ RADIA



(Rys. 3)

1. Ramka
2. Złap palcami za brzeg ramki (jak na rysunku powyżej) i ją wyciągnij. Przy ponownym montażu zwróć uwagę aby nie zamontować jej odwrotnie.
3. Radio  
Wsuń specjalne klucze (są w komplecie) w szczeliny po obu stronach radia, aż usłyszysz kliknięcie. Następnie pociągnij całość do siebie aby wyjąć radio.

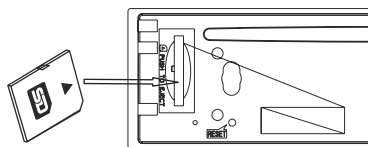
## MONTAŻ RADIA W FABRYCZNEJ KIESZENI (METODA B)



1. Wstaw radio aby otwory na śruby w radziu pokrywały się z otworami w kieszeni. Przymocuj radio za pomocą śrub po dwie po każdej stronie. Użyj śrub 5x5mm lub 4x5mm.
2. Śruby
3. Kokpit

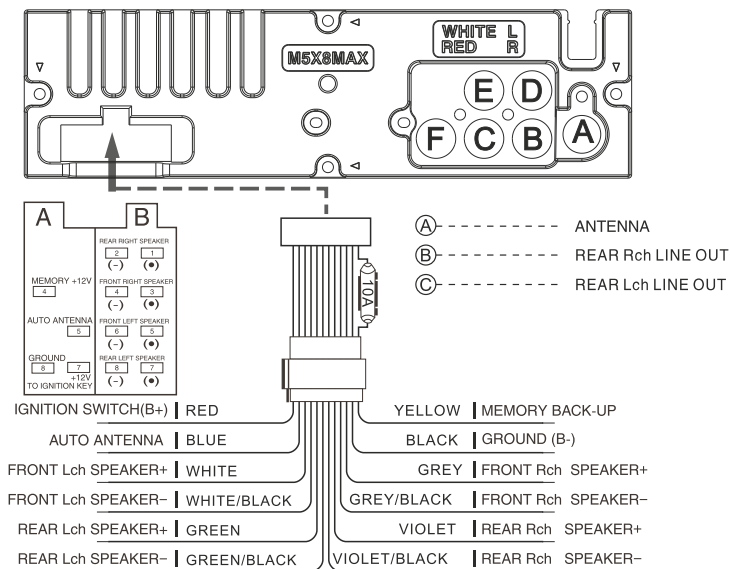
## WKŁADANIE KARTY SD

Włóż kartę SD do gniazda kart jak pokazano na rysunku po prawej stronie.



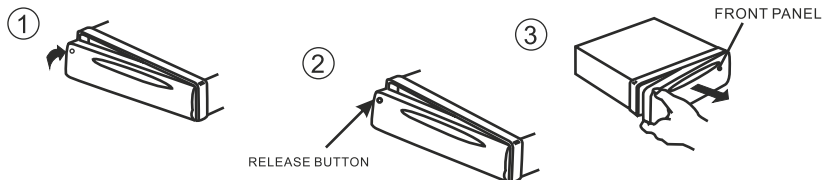
## INFORMACJE DODATKOWE

### DIAGRAM PODŁĄCZENIA PRZEWODÓW



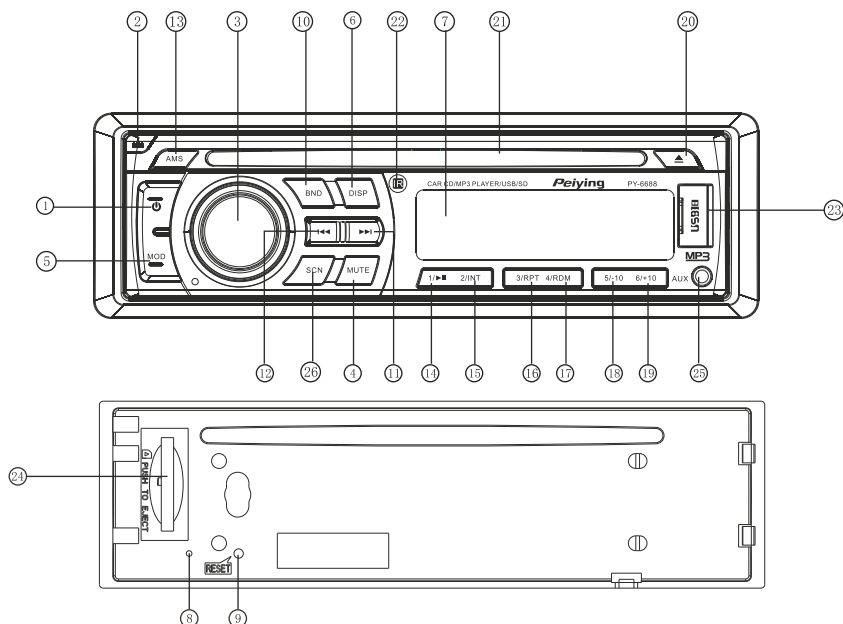
### Panel przedni

Aby założyć panel wsuń go w zatrzaski jak pokazano na rysunku poniżej. W przypadku niepoprawnego zamontowania panelu, może nieprawidłowo działać wyświetlacz lub przyciski.



## PODSTAWOWE OPERACJE

### PANEL PRZEDNI



- |  |                                       |
|--|---------------------------------------|
| 1. Włącznik                            | 15. Intro, CH2                        |
| 2. Opuszczanie panelu (REL)            | 16. Powtarzanie, CH3                  |
| 3. Regulacja poziomu dźwięku (VOL/SEL) | 17. Odtwarzanie losowe, CH4           |
| 4. Wyciszenie                          | 18. CH5                               |
| 5. Zmiana trybu pracy (MOD)            | 19. CH6                               |
| 6. Tryb wyświetlacza (DISP)            | 20. Wysuwanie płyty                   |
| 7. Wyświetlacz LCD                     | 21. Czytnik CD                        |
| 8. Dioda LED                           | 22. Sensor pilota zdalnego sterowania |
| 9. Reset                               | 23. Port USB                          |
| 10. Przełącznik pasma                  | 24. Gniazdo SD/MMC                    |
| 11. Strojenie / następny               | 25. AUX IN                            |
| 12. Strojenie / poprzedni              |                                       |
| 13. Automatyczny zapis                 |                                       |
| 14. Play / Pauza / CH 1                | 26. Przycisk SCN                      |

## ON/OFF

Naciśnięcie jakiegokolwiek przycisku spowoduje włączenie radia.

Naciśnięcie i przytrzymanie przycisku POWER spowoduje wyłączenie radia.

**Uwaga:** Po wyłączeniu radia, aktualny poziom dźwięku jak również ustawienia radia zostaną zapamiętane. Po ponownym włączeniu radia ustawienia te zostaną przywrócone.

## ZDEJMOWANIE PANELU PRZEDNIEGO

Naciśnij przycisk REL (2) aby odłączyć panel przedni.

## POZIOM GŁOSNOŚCI

a) Naciśnij przycisk (3) SEL aby przejść do ustawień:



Przez przekręcenie gałki głośności w prawo lub lewo możesz wybrać żądane ustawienia VOL/BASS/BAL/FAD. Aby przejść do wybranych ustawień naciśnij przycisk VOL.

Aby zmniejszyć / zwiększyć poziom dźwięku przekręć gałkę VOL w lewo bądź w prawo.

## BASS

Naciśnij przycisk VOL/SEL (3) jednokrotnie aby przejść do trybu BAS. Za pomocą gałki VOL/SEL (3) ustaw żądany poziom niskich tonów.

## TREBLE

Naciśnij przycisk VOL/SEL (3) dwukrotnie aby przejść do trybu TRE. Za pomocą gałki VOL/SEL (3) ustaw żądany poziom wysokich tonów.

## BALANCE

Naciśnij przycisk VOL/SEL (3) trzykrotnie aby przejść do trybu BAL. Za pomocą gałki VOL/SEL (3) dostosuj żądany poziom balansu lewo - prawo

## FADER

Naciśnij przycisk VOL/SEL (3) czterokrotnie aby przejść do trybu FAD. Za pomocą gałki VOL/SEL (3) dostosuj żądany poziom balansu przód - tył.

## USTAWIENIA DODATKOWE

Naciśnij przycisk VOL/SEL (3) przez kilka sekund, aktywowany zostanie cykliczny tryb wyświetlający następujące funkcje:



Naciśnij i przytrzymaj przycisk SEL/VOL a następnie obróć w prawo lub lewo aby przejść do żądanego trybu.

Tryb DSP ON/OFF:

Obróć gałkę VOL/SEL aby wybrać opcję equalizera: POP M, ROCK M, CLASS M, FLAT M, DSP OFF.

Tryb ESP (Elektroniczny system przeciwwstrząsowy) 12/45.

Obróć gałkę VOL/SEL aby wybrać odpowiednią wartość trybu ESP.

Tryb BEEP ON/OFF :

BEEP ON: Sygnał BEEP będzie słyszany w głośnikach po naciśnięciu przycisku.

VOL LAST/ADJUST

Funkcja umożliwia ustawienie poziomu dźwięku po wyłączeniu i ponownym włączeniu radia.

VOL LAST - poziom dźwięku jest taki sam jak przed wyłączeniem.

VOL ADJUST - ręczne ustawienie poziomu dźwięku.

SEEK MODE

SEEK 1: Gdy tryb SEEK 1 jest aktywny, funkcja automatycznego wyszukiwania kanałów zatrzyma się na pierwszym wyszukany kanale nawet, gdy użytkownik nadal będzie trzymał przycisk SEEK.

SEEK 2: Gdy tryb SEEK 2 jest aktywny, funkcja automatycznego wyszukiwania kanałów nie zatrzyma się na wyszukany kanale (gdy użytkownik nadal będzie trzymał przycisk SEEK).

Po puszczeniu przycisku SEEK funkcja wyszukiwania zatrzyma się na pierwszym wyszukany kanale.

## WYCISZENIE

Wciśnij przycisk Mute (4) aby wyciszyć dźwięk. Wciśnij go ponownie aby przywrócić normalny poziom dźwięku.

## TRYB PRACY

Aby przełączyć tryb pracy wciśnij przycisk MOD (5):

- Tuner (radio)
- CD (MP3, CD) - aby przejść do tego trybu w urządzeniu musi znajdować się płyta CD.
- Karta SD - aby przejść do tego trybu w urządzeniu musi znajdować się karta SD.
- USB - aby przejść do tego trybu do urządzenia musi być podłączona pamięć USB.
- AUX

## WYŚWIETLANIE

Wciśnij przycisk DISP (6) aby zmienić tryb wyświetlania.

- po wciśnięciu DISP czas na wyświetlaczu jest wyświetlany przez 5s, następnie wyświetlacz przechodzi do standardowego trybu (katalog, nazwa pliku...) chyba że przycisk (6) zostanie ponownie naciśnięty.

- gdy na wyświetlaczu wyświetlany jest czas możesz włączyć funkcję ustawienia zegara: wciśnij i przytrzymaj 1s przycisk DISP, godzina na wyświetlaczu będzie migać. Za pomocą pokrętki regulacji dźwięku bądź przycisków +/- znajdujących się na pilocie ustaw godzinę.

## WYŚWIETLACZ LCD

Pokazuj aktualną częstotliwość oraz włączone funkcje.

## Dioda LED

Gdy panel jest zdjęty dioda LED miga.

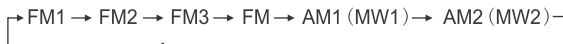
# RADIO

## WYBÓR PASMA

Podczas trybu radia wielokrotnie naciśnij przycisk BND (6) w celu przełączania pasma według schematu poniżej:



lub



## STROJENIE STACJI

Naciśnij przycisk (11) Strojenie+ lub (12) Strojenie - w celu ręcznego dostrojenia stacji. Naciśnięcie i przytrzymanie przycisku (11) lub (12) spowoduje uruchomienie funkcji automatycznego strojenia stacji.

## AUTOMATYCZNE ZAPIS STACJI, STROJENIE PROGRAMOWE

- automatyczny zapis stacji

W trybie radia naciśnij i przytrzymaj przez kilka sekund przycisk AMS (13) w celu aktywacji automatycznego wyszukiwania stacji, 6 stacji z najmocniejszym sygnałem zostanie zapisanych w pamięci.

- strojenie programowe

Wciśnij przycisk AMS(13) krótko aby zestroić aktualną stację. Gdy poziom sygnału jest większy od poziomu progowego zatrzymania, radio zatrzyma się na kilka sekund na tej wartości z wyłączonym wyciszeniem, po czym ponownie rozpocznie przeszukiwanie.

## ZAPAMIĘTYWANIE STACJI

Naciśnij jeden z przycisków numerycznych (14-19)

1) Tryb radia

M1~M6

- Aby wybrać wcześniej zaprogramowaną stację wciśnij szybko (<1s) przycisk 1-6

- Aby zapisać aktualną częstotliwość do pamięci wciśnij i przytrzymaj przycisk 1-6

2) Tryb CD/MP3/ FLASH MP3

Play / pauza

Wciśnij przycisk (14) aby rozpocząć odtwarzanie / włączyć pauzę. Podczas pauzy wskaźnik dysku na wyświetlaczu miga.

Top - wciśnij i przytrzymaj przycisk aby zacząć odtwarzanie od pierwszego utworu

INT

Funkcja intro. Wciśnij przycisk (15) radio będzie odtwarzać po 10s każdego utworu. Po odtworzeniu wszystkich zacznie normalnie odtwarzać utwory zaczynające się od miejsca w którym funkcja została włączona.

## SKANOWANIE

Naciśnij przycisk Scan (26) aby wyszukać stacje radiowe. Po znalezieniu kanału, stacja będzie odtwarzana przez 5 sekund (na wyświetlaczu będzie migać jej częstotliwość). Naciśnij i przytrzymaj przycisk Scan (26) przez ponad 3 sekundy aby wybrać żądaną stację.

## WYBÓR OBSZARU USA/EUR

W trybie radia naciśnij przycisk SEL przez kilka sekund. Na wyświetlaczu ukażą się opcje: DSP OFF/ON -> AREA USA/EUR. Opcja AREA USA/EUR umożliwia wybór częstotliwości obszaru.

## **CD/SD/MMC/USB**

### **CD**

Radio obsługuje CD/CD-R/RW zgodne z formatami CDDA/MP3/WMA.

### **WKŁADANIE/WYJMOWANIE PŁYTY CD**

1. Włącz radio.
2. Włóż dysk CD zadrukowaną stroną do góry.
3. Naciśnij przycisk EJECT (23) aby wyjąć płytę.

### **MMC/SD**

Radio obsługuje format plików: MP3/WMA ID3. Opuść przedni panel. Ostrożnie włóż kartę SD/MMC do gniazda kart znajdującego się na wewnętrznym panelu. Podnieś panel przedni, radio zacznie automatycznie odtwarzać zawartość karty SD/MMC.

### **USB**

Ostrożnie podłącz urządzenie USB do adaptera kabla USB, a następnie podłącz kabel USB do gniazda mini USB znajdującego się na przednim panelu urządzenia.

### **USB/SD/MMC**

1. Obsługa kart SD/MMC
2. FAT 12/ FAT 16/ FAT 32
  - FAT 12/16 (maksymalna liczba katalogów 200, plików 500)
  - FAT 32 (maksymalna liczba katalogów 200, plików 500)
3. Standard nazwy plików, katalogów 32 bajty
4. TAG (ID3 tag 2.0)
  - Tytuł/artysta/ album: 32 bajty
5. Brak wsparcia dla uniwersalnego czytnika pamięci.
6. Obsługa USB 2.0

### **UWAGA**

**USB Standard 2.0**  
Pojemność: do 4GB

### **SD/MMC**

Pojemność: do 4GB

Ze względu na ogromną różnorodność kart SD/MMC i ich niekiedy bardzo specyficzne funkcje, producent nie może zagwarantować, że wszystkie urządzenia będą rozpoznawalne, ani że wszystkie operacje, które są możliwe w teorii, faktycznie będą działały.



### **ID3 TAG**

Radio obsługuje ID3 Tag w wersji 2.0. Jeśli jakiś plik mp3 posiada informacje ID3 tag, zostaną one wyświetlone na wyświetlaczu LCD. Informacje ID3 Tag mogą zawierać pliki, foldery, albumy, lub dane artysty.

### **NASTĘPNY/POPZEDNI UTWÓR**

Aby przejść do następnego bądź poprzedniego utworu naciśnij przycisk NEXT/PREVIOUS (11, 12). Przytrzymanie przycisku dłużej niż sekundę spowoduje przewinięcie do przodu bądź do tyłu obecnie odtwarzanego utworu.

### **PLAY/PAUZA**

Aby zatrzymać odtwarzanie naciśnij przycisk PAUSE (14), aby wznowić odtwarzanie naciśnij ponownie przycisk PAUSE (14).

### **INTRO (PODGLĄD WSZYSTKICH UTWORÓW)**

Gdy przycisk INT (15) jest włączony na ekranie wyświetla się napis INT ON, kilka pierwszych sekund każdego utworu z płyty jest odtwarzanych. Naciśnięcie ponownie przycisku powoduje powrót radia do normalnego trybu odtwarzania utworów.

### **POWTARZANIE**

Po naciśnięciu przycisku RPT (16) na wyświetlaczu ukaże się napis RPT ON, odtwarzanie wybranego utworu będzie stale powtarzane, aż do momentu gdy funkcja RPT nie zostanie wyłączona poprzez ponowne naciśnięcie przycisku RPT (16)

### **ODTWARZANIE LOSOWE**

Po naciśnięciu przycisku RDM (17) na wyświetlaczu ukaże się napis RDM ON, a każdy utwór z nośnika jest odtwarzany w losowej kolejności. Aby wyłączyć tryb odtwarzania losowego należy ponownie nacisnąć przycisk RDM(17).

## **WYSZUKIWANIE PLIKÓW MP3/WMA**

### **1. Przejście do określonego czasu utworu:**

- Naciśnij przycisk AMS jednokrotnie.
- Obróć gałkę VOL w prawo lub lewo aby wybrać żądany czas utworu.
- Naciśnij przycisk VOL aby uruchomić odtwarzanie.

### **2. Wyszukiwanie utworów:**

- Naciśnij przycisk AMS dwukrotnie.
- Obróć gałkę VOL w prawo lub lewo aby wybrać żądany utwór.
- Naciśnij przycisk VOL aby uruchomić odtwarzanie.

### **3. Wyszukiwanie plików w katalogach:**

- Naciśnij przycisk AMS trzykrotnie.
- Naciśnij przycisk VOL, wyświetlony zostanie pierwszy folder.
- Obróć gałkę VOL w prawo lub lewo aby wybrać żądany folder.
- Ponownie naciśnij przycisk VOL aby wyświetlić pliki z wybranego folderu.
- Obróć gałkę VOL w prawo lub lewo aby wybrać żądany plik.
- Naciśnij przycisk VOL aby uruchomić odtwarzanie.

### **4. Wyszukiwanie utworów po nazwie:**

- Naciśnij przycisk AMS czterokrotnie.
- Naciśnij przycisk VOL, na ekranie ukaże się znak \*.
- Obróć gałkę VOL w prawo lub lewo aby wybrać pierwszą literę szukanego utworu.
- Naciśnij i przytrzymaj przycisk VOL przez ponad 2 sekundy.
- Wyświetlone zostaną utwory zaczynające się na podaną literę.
- Obróć gałkę VOL w prawo lub lewo aby wybrać żądany utwór.
- Naciśnij przycisk VOL aby uruchomić odtwarzanie.

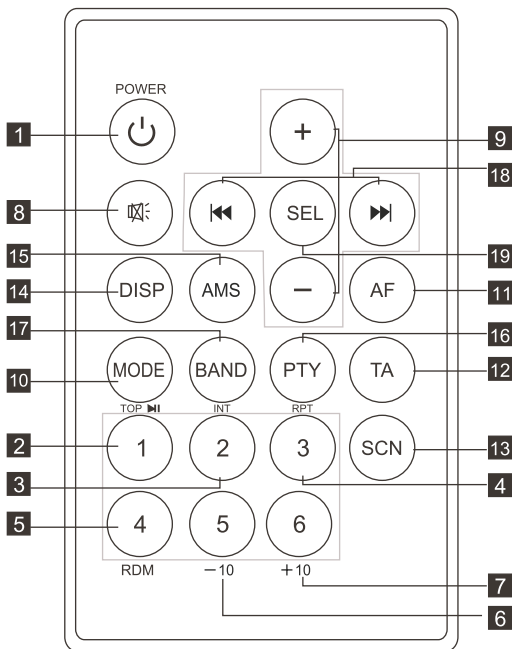
## MP3/WMA

- MP3 jest skrótem od MPEG Audio Layer 3 i odnosi się do standardowej technologii kompresji dźwięku.
- Produkt ten pozwala na odtwarzanie plików MP3 z płyt CD-ROM, CD-R, CD-RW.
- Urządzenie odczytuje pliki MP3 zapisane w formacie ISO 9660. Jednakże nie obsługuje danych zapisanych metodą packet write.
- Urządzenie nie może odczytać plików MP3 których rozszerzenie jest inne niż „.mp3”
- Jeżeli odtwarzasz pliki inne niż MP3 lecz mające rozszerzenie „.mp3” możesz słyszeć zakłócenia, trzaski etc.
- Maksymalna liczba poziomów łącznie z katalogiem głównym wynosi 8 . Maksymalna liczba plików i folderów na dysku wynosi 256.
- Urządzenie może nie odtworzyć utworów w kolejności z jaką zostały one nagrane na płytę.
- Jeżeli płyta audio zawiera także pliki mp3 urządzenie odtworzy tylko ścieżki audio.
- Podczas odtwarzania dysku nagrałego z transmisją 8 kbps lub „VBR” czas odtwarzania utworu nie będzie wyświetlany poprawnie, jak również funkcja intro może nie działać prawidłowo.
- „VBR” Variable Bit Rate - zmienna szybkość transmisji bitów.
- Urządzenie obsługuje format plików WMA. Jednakże wyświetlanie tagów ID3 dla formatu WMA nie jest gwarantowane, zależy to od wersji i alfabetu.
- WMA (Windows Media Audio) - format kompresji dźwięku, stworzony przez Microsoft Corporation.

### Uwagi na temat tworzenia własnych płyt CD-R lub CD-RW zawierających pliki mp3:

- Aby cieszyć się wysokiej jakości dźwiękiem, zalecamy konwersję do plików MP3 o stałej szybkości transmisji bitów 128kbps i częstotliwości próbkowania 44.1kHz.
- Nie zapisuj na dysk więcej niż 256 plików.
- Dla ISO 9660 maksymalna liczba poziomów łącznie z katalogiem głównym wynosi 8.
- Gdy używany jest dysk CD-R, odtwarzanie jest możliwe tylko dla dysków, które zostały zamknięte.
- Upewnij się że gdy wypalasz plik MP3 na płytach CD-R lub CD-RW, nagrywasz je jako dysk z danymi a nie jako dysk audio.
- Nie powinno zapisywać innych plików bądź niepotrzebnych folderów razem z plikami MP3, w przeciwnym razie czas startu odtwarzania utworów może się wydłużyć.
- Dla niektórych płyt CD-R/RW w zależności od jakości produktu dane mogą być niepoprawnie nagrane.
- Zaleca się stosowanie wysokiej jakości płyt CD-R, CD-RW.
- Wyświetlane jest do 16 znaków dla nazwy albumu lub ścieżki, wymagany ID3 tag 1.x
- Urządzenie może nie odtworzyć utworów w kolejności z jaką zostały one nagrane na płytę.

PILOT ZDALNEGO STEROWANIA

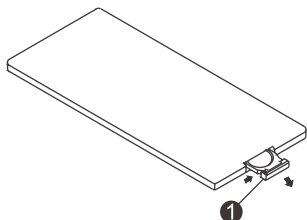


- |  |  |
|--|--|
| <ul style="list-style-type: none"> <li><b>1</b> Włącznik</li> <li><b>2</b> Pauza, play, przycisk numeryczny</li> <li><b>3</b> Wprowadzenie, przycisk numeryczny</li> <li><b>4</b> Powtórz, przycisk numeryczny</li> <li><b>5</b> Odtwarzanie losowe, przycisk numeryczny</li> <li><b>6</b> Przycisk numeryczny</li> <li><b>7</b> Przycisk numeryczny</li> <li><b>8</b> Wyciszenie</li> <li><b>9</b> Regulacja poziomu dźwięku</li> </ul> | <ul style="list-style-type: none"> <li><b>10</b> Przełącznik trybu pracy</li> <li><b>11</b> AF (RDS)</li> <li><b>12</b> TA (RDS)</li> <li><b>13</b> Scan</li> <li><b>14</b> Display</li> <li><b>15</b> AMS</li> <li><b>16</b> PTY (RDS)</li> <li><b>17</b> Zmiana pasma</li> <li><b>18</b> Strojenie, wybór ścieżki</li> <li><b>19</b> Ustawienia dźwięku</li> </ul> |
|--|--|

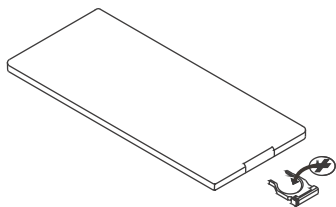
## WYMIANA BATERII

Gdy skróci się zasięg działania pilota lub pilot przestanie funkcjonować, należy wymienić baterie w pilocie na nową (typu CR2025). Podczas wymiany zwróć uwagę na polaryzację baterii.

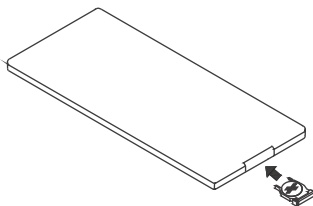
1. Zdejmij pokrywę baterii pilota (1).



2. Włóż nową baterię, zgodnie z oznaczoną polaryzacją.



3. Załóż pokrywę baterii.



## **SPECYFIKACJA**

### **Ogólna**

Zasilanie:	DC 14.4V“===”, Uziemienie na minusie
Impedancja	4 Ohms
Maksymalna moc wyjściowa:	25W x 4
Wymiary :	178 x 163x 50mm (W x D x H)
Max pobór prądu:	10A

### **Kontrola tonów**

Niskie tony (100Hz):	+10dB / -10dB
Wysokie tony (10K):	+10dB / -10dB

### **Odtwarzacz CD**

S/N:	> 60dB
Separacja kanałów:	> 60dB
Pasma przenoszenia:	20Hz - 20KHz

### **Radio FM**

Pasma:	87.5 - 108MHz
IF	10.7MHz
Czułość (S/N=30dB):	12dBu
Separacja stereo:	>30dB

### **Radio AM**

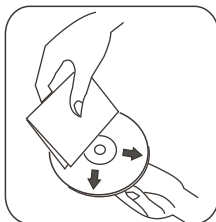
Pasma:	522 - 1620KHz
IF	450KHz
Czułość (S/N=20dB):	<42dBu

Uwaga:

Specyfikacja urządzenia może ulec zmianie bez wcześniejszego powiadomienia.

## CZYSZCZENIE PŁYT CD

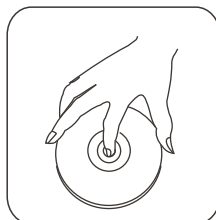
Przed włożeniem płyty do odtwarzacza przetrzyj ją czystą, miękką, bezpyłową ściereczką.



Zawsze wkładaj płytę etykieta do góry.  
Jeżeli płyta jest włożona etykieta do dołu, może uszkodzić urządzenie.



Uwaga: Jeżeli w gnieździe płyt znajduje się już płyta CD, nie próbuj wkładać drugiej, ponieważ może to uszkodzić urządzenie.  
Zawsze chwytaj płytę za brzegi. Aby utrzymać płytę w czystości nie dotykaj niezadrukowanej strony, patrz rysunek poniżej:



Nie przyklejaj żadnych nalepek lub karteczek na płytę.  
Nie zostawiaj płyty bezpośrednio na słońcu lub przy źródle ciepła.  
Nie zostawiaj płyty w samochodzie zaparkowanym bezpośrednio na słońcu, samochód w takich warunkach bardzo się nagrzewa.

Uwaga: do czyszczenia nie używaj środków chemicznych. Dostępne w sprzedaży środki czyszczące w aerozolu mogą zniszczyć urządzenie.

## ROZWIĄZYWANIE PROBLEMÓW

W przypadku wystąpienia jakichkolwiek problemów z urządzeniem, na początku sprawdź poprawność podłączenia przewodów. Jeżeli kłopoty z urządzeniem nie znikną po przesłaniu poniższej listy skontaktuj się z serwisem.

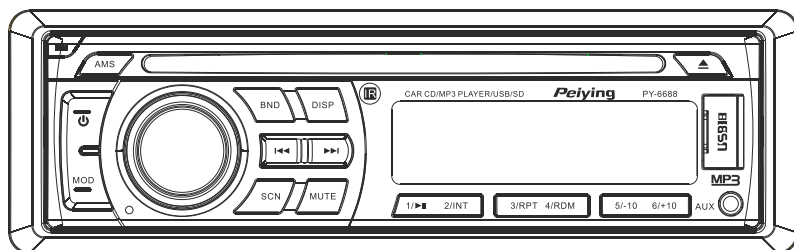
Symptom	Przyczyna	Rozwiązanie
Brak zasilania	Wyłączona stacyjka	Przekręć kluczyk w stacyjce
	Spalony bezpiecznik	Wymień bezpiecznik
Nie można włożyć lub wyjąć płyty	Jedna płyta już jest w odtwarzaczu	Wymij płytę z odtwarzacza
	Płyta wkładana odwrotnie	Wkładaj płyty nadrukiem do góry
	Płyta jest zabrudzona lub uszkodzona	Wyczyść płytę lub włóż nową
	Temperatura w samochodzie jest za wysoka	Przewietrz samochód aby temperatura spadła do normalnego poziomu
Brak dźwięku	Kondensacja	Wyłącz odtwarzacz na ok. godzinę i spróbuj ponownie
	Dźwięk jest wyciszony	Zwiększ poziom dźwięku
Dźwięk przerywa	Kable podłączone niewłaściwie	Sprawdź podłączenie przewodów
	Radio zainstalowane pod kątem powyżej 30°	Zainstaluj poprawnie radio
Przyciski nie działają	Płyta jest mocno zabrudzona lub uszkodzona	Wyczyść płytę lub włóż nową
	Niepoprawna instalacja panela	Wciśnij przycisk RESET, załóż poprawnie panel
Radio lub automatyczne wyszukiwanie nie działa	Antena jest niepoprawnie podłączona	Poprawnie podłącz antenę
	Sygnal jest za słaby	Ustaw stację ręcznie



# Peiying®

---

## Manual de utilizare Player Auto Peiying Basic



CE

PY6688

English 1-18

Polski 19-38

Română 39-58

Deutsch 59-78



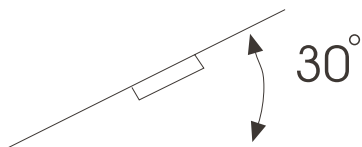
## **CUPRINS**

Instalare.....	42
Schema de conectare .....	44
Functii generale.....	45
Functii radio.....	48
CD/SD/MMC/USB.....	50
Privire generale MP3 WMA.....	53
Telecomanda.....	54
Specificatii.....	56
De retinut inainte de operare.....	57
Depanare.....	58

## INSTALARE

### PRECAUTII

Locul de instalare trebuie ales astfel incat dispozitivul sa nu deranjeze conducatorul auto . Inainte de instalarea finala, alimentati temporar dispozitivul si asigurati-va ca este conectat in mod adecvat si ca atat el cat si sistemul functioneaza in parametri normali. Folositi numai componentele din dotare pentru a va asigura ca instalarea este corecta. Utilizarea altor componente poate provoca defectarea aparatului. Consultati cel mai apropiat dealer auto daca instalarea aparatului necesita gaurire sau alte modificari ale autoturismului (gaurire, cablare, etc.) Instalati aparatul astfel incat acesta sa nu deranjeze soferul si sa nu raneasca pasagerii in cazul unei opriri bruste. Daca unghiul de instalare depaseste 30° orizontal, aparatul ar putea sa nu functioneze la performanta maxima.



Evitati instalarea aparatului in locuri unde este expus unor temperaturi ridicate, cum ar fi expunerea directa la razele solare, aerul cald sau in locuri cu praf, murdarie sau vibratii excesive.

### MONTARE FATA

(Metoda A)

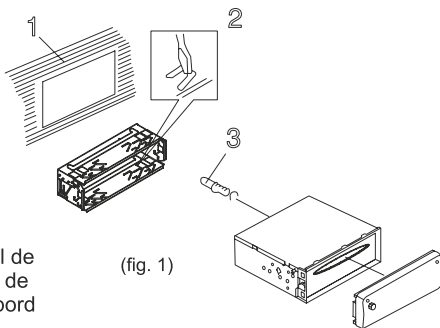
Instalarea aparatului  
Aparatul se poate monta urmarind  
fig.1 sau fig.2

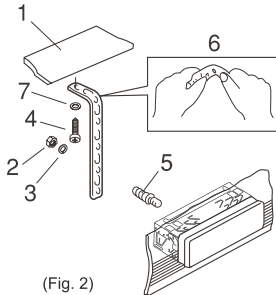
1. Tabloul de bord

2. Suportul

Dupa inserarea suportului in tabloul de bord, selectati agatatorile in functie de grosimea materialului tabloului de bord si indoiti-le pentru a fixa suportul la locul lui. (fig.1)

3. Surub





(Fig. 2)

1. Tablou de bord
2. Piulita (5mm)
3. Saiba de siguranta
4. Surub (5 x 25mm)
5. Surub
6. Banda Folositi banda pentru a fixa partea

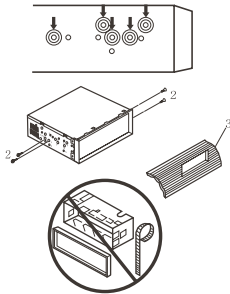
din

spate a aparatului. Banda poate fi indoita cu mana pana in unghiul dorit.

7. Saiba fara filet

### MONTARE SPATE (METODA B)

Instalarea se face folosind gaurile suruburilor de pe extremitatile aparatului .



Fixarea aparatului in lacasul original

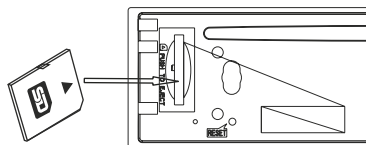
Suport de montare:

1. Alegeti o pozitie in care gaurile de surub ale suportului si cele ale unitatii centrale sa fie pe aceeasi linie si strangeti suruburile in doua locuri pe fiecare parte. Folositi fie suruburi de ancorare (5x5mm) fie suruburi cu cap ingropat (4x5mm).
2. Surub
3. Tablou de bord sau Consola.

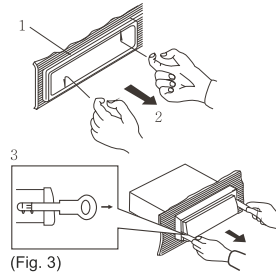
OBS.: La metoda B nu se utilizeaza suportul metalic, inelul dreptunghiular de plastic si banda de montaj.

### INTRODUCEREA CARDULUI SD

Unghiul oblic SD mentine expunerea descendenta; introduceti-l in spatiul SD si apasati inca o data pentru a-l scoate.



### EXTRAGEREA APARATULUI

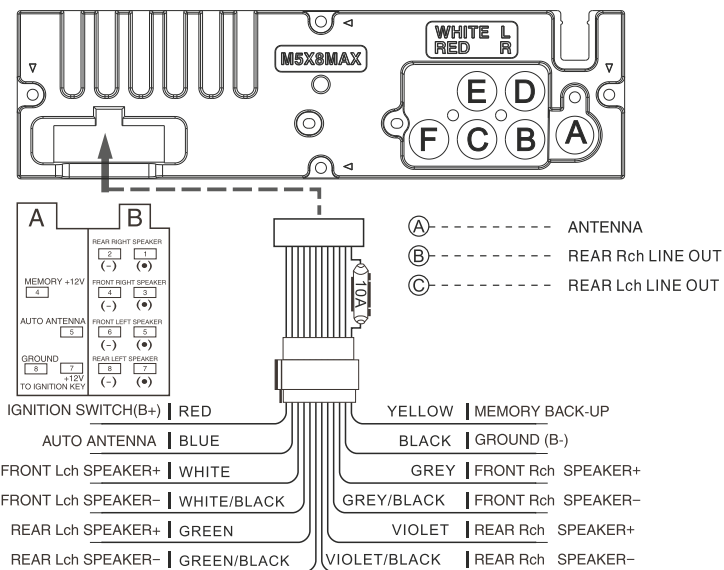


(Fig. 3)

1. Cadru
2. Introduceti degetele in canelura din fata cadrului si trageți pentru a scoate cadrul. (pentru a reintroduce cadrul, fixati cheitele in orificii si atasati aparatul).
3. Cheita

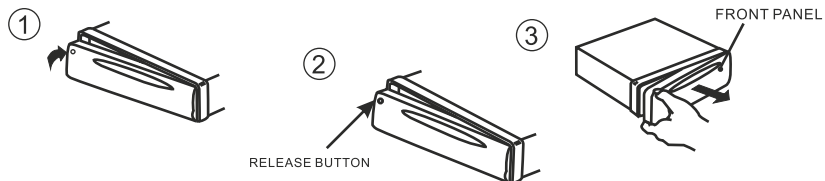
Introduceti cheita cu care este dotat aparatul in canelura din ambele parti ale aparatului, pana cand auziti un pocnet. Aceasta va face posibila inlaturarea aparatului din tabloul de bord.

SCHEMA DE CONECTARE



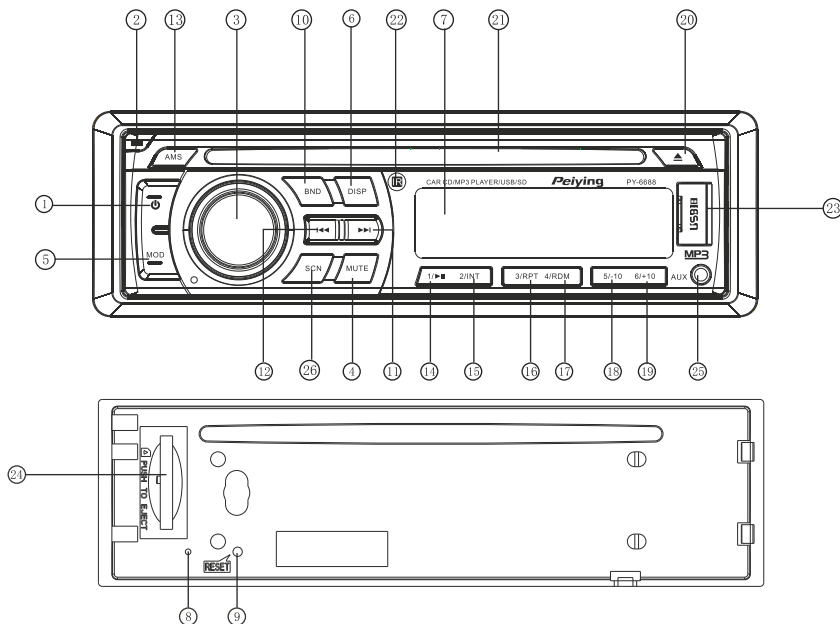
UTILIZAREA PANOULUI FRONTAL DETASABIL

Crestatura/taietura A (din imagine) trebuie asezata pe manerul B si apoi apasati usor in partea stanga.



## FUNCTII GENERALE

### PANOUL FRONTAL



- |   |  |
|---|--|
| 1. Butonul de pornire                       | 16. Repetare si Butonul presetat 3                           |
| 2. Buton RELEASE                            | 17. Alegere la intamplare a melodiilor si Butonul presetat 4 |
| 3. Butonul pentru VOLUM/SELECTARE           | 18. Butonul presetat 5                                       |
| 5. Buton MUTE                               | 19. Butonul presetat 6                                       |
| 5. Comutator MOD                            | 20. Eject  |
| 6. Butonul pentru afisaj                    | 21. Spatiul CD   |
| 7. Afisaj LCD                               | 22. Senzorul pentru telecomanda                              |
| 8. LED intermitent                          | 23. Connector USB  |
| 9. Resetare                                 | 24. Spatiul SD/MMC   |
| 10. Lungime de banda                        | 25. Mufa pentru AUX  |
| 11. Cautarea frecventei si Derulare inainte | 26. Buton SCN  |
| 12. Cautarea frecventei si Derulare inapoi  |  |
| 13. Stocare automata a memoriei             |  |
| 14. Redare/Pauza si Butonul presetat 1      |  |
| 15. Intro si Butonul presetat 2             |  |

### **Pornire/Oprire sistem**

Apasati orice buton pentru a porni aparatul.

Apasati si tineti apasat butonul PORNIRE pentru a opri aparatul.

**Nota:** Dupa oprirea aparatului, nivelul volumului si setarile radio curente vor fi memorate, iar la pornirea aparatului, acesta va relua statusul memorat, pe care l-ati setat.

### **Deconectare panou frontal**

Apasati butonul REL (2) pentru demontarea panoului frontal detasabil.

### **Reglarea sunetului**

Apasarea butonului (3) poate regla calitatea dorita a volumului.

A) Apasarea butonului SEL (3) va schimba urmatoarea ordine:

Optiuni:



### **Controlul Volumului/ Selectare**

Rotiti acest buton la dreapta sau stanga pentru a regla Volumul/Bass/Treb/Bal/Fad. Pentru a selecta functiile, apasati butonul pentru VOL scurt pana cand functiile dorite apar pe afisaj.

Mariti sau micorati volumul prin rotirea butonului VOL la dreapta sau stanga. Aceste butoane pot fi folosite pentru reglare BASS, TREBLE, BALANCE si FADER.

### **Bass**

Apasati butonul VOL/SEL (3) pe modul BASS. Reglati nivelul de bass folosind butonul VOL/SEL (3).

### **Treble**

Apasati butonul VOL/SEL (3) pe modul TREBLE. Reglati nivelul de inalte (treble) folosind butonul VOL/SEL (3).

### **Balance**

Apasati butonul SEL (3) pe modul BALANCE. Reglati balansul intre difuzoarele stanga si dreapta folosind butonul VOL/SEL (3).

### **Fader**

Apasati butonul VOL/SEL (3) pe modul FADER. Reglati balansul dintre difuzoarele din fata si cele din spate folosind butonul VOL/SEL (3).



## ALTE REGLARI

Apasati butonul VOL/SEL (3) timp de cateva secunde, se va activa ca si mod ciclic al urmatoarelor functii la alegerea utilizatorului.



Apasati si tineti apasat acest buton pentru a accesa moduri diferite:

Apasati si tineti apasat pentru a accesa modul de DSP in mod automat:

rotind acest buton pentru functii puteti alege modurile Flat, CLASSIC, Pop si Rock.

apasand butonul pentru functie pentru a selecta modul preferat DSP.

Pe modul DSP, apasati o data butonul pentru functii pentru a accesa modul ESP:

rotind butonul pentru functii veti putea alege intre 12 secunde sau 45 secunde ESP.

apasand butonul pentru functii veti selecta secundele ESP dorite,

Atunci cand pe modul DSP apasati butonul pentru functii de doua ori pentru accesarea

modului BEEP (sunetul tastaturii), rotind butonul functiei pentru a alege optiunile Pornit sau

Oprit apasand butonul functiei pentru a selecta optiunea pornire sau oprire.

### VOL ANTERIOR/REGLARE

Aceasta functie permite setarea nivelului volumului dupa ce aparatul a fost oprit si apoi pornit

din nou. Alegeti optiunea VOL ANTERIOR daca doriti ca nivelul volumului sa fie acelasi.

Optiunea REGLARE VOL permite alegerea nivelului volumului.

### MODUL SEEK

SEEK 1: Cand modul SEEK 1 este activat, SCANAREA AUTO SEEK se opreste atunci cand se detecteaza un post radio,

SEEK 2: SCANAREA Auto SEEK nu se opreste nici atunci cand posturile de radio sunt

detectate, daca utilizatorul apasa butonul SEEK. Cand eliberati butonul SEEK, opriti-va cand postul de radio este detectat.

**MUTE - SILENTIOS**

Apasati butonul MUTE (4) pentru a pune sunetul pe silentios. Apasati-l inca o data pentru a reveni la volumul anterior.

**SELECT MODE – MODUL SELECTARE**

Apasand acest buton (5) veti putea alege intre diferite functii:

- Frecventa (radio)
- CD (MP3 CD) - Pentru a avea acces la acest mod trebuie sa existe un CD in aparat.
- CARDUL DE MEMORIE - Pentru a accesa acest mod trebuie sa existe un card in aparat.
- USB - Pentru a accesa acest mod trebuie conectat un dispozitiv USB.
- componenta AUX.

**DISPLAY – AFISAJ**

Apasati butonul DISP (6) pentru a pune in functiune schimbarea fiecarui afisaj dupa cum urmeaza:

- timpul este afisat pentru 5 secunde cand butonul DISP este apasat, si revine la afisajul anterior (Fisier, Numele documentului) in cazul in care butonul DISP nu este apasat inca o data. De la functia ceasului, cand butonul DISP este apasat pentru mai mult de o secunda, ceasul se schimba pe modul REGLARE si afisajul incepe sa lumineze intermitent. Acum ora poate fi schimbata apasand (+/-), sau prin actionarea volumului.

**LIQUID CRYSTAL DISPLAY- AFISAJ CU CRISTALE LICHIDE**

Sunt expuse aici frecventa curenta si functiile activate (7).

**FLASHING LED – LED INTERMITENT**

Daca partea detasabila a aparatului nu se fixeaza corect in aparat, LED-ul (8) va lumina intermitent.

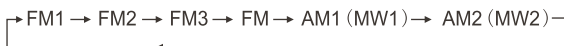
## **FUNCTII RADIO**

**ALEGEREA LUNGIMII DE UNDA**

Apasati butonul BAND (10), in modul TUNER pentru a alege lungimea de unda dorita. Lungimea de unda receptionata se va schimba in urmatoarea ordine:



sau

**ALEGEREA POSTULUI DE RADIO**

Apasati scurt TUNE/SEEK (cautare) / TRACK FORWARD (Derulare inainte) butonul (11) sau TUNE/SEEK (cautare) / TRACK REVERSE (derulare inapoi) butonul (12) pentru functia de reglare manuala.

Apasati pentru mai multe secunde - modul automat de reglare (SEEK MODE) este selectat.

**MEMORARE AUTOMATA si SCANARE PROGRAME****- MEMORARE AUTOMATA**

Apasati butonul (13) AMS (MP3) pentru cateva secunde, radioul cauta o frecventa si verifica semnalul pana cand un ciclu de cautare este terminat.

Astfel, primele 6 dintre posturile de radio receptionate sunt stocate fiecare la butonul corespunzator.

**- SCANARE PROGRAME**

Apasati scurt butonul (13) AMS (MP3) pentru a scana un post de radio reglat. Cand nivelul de intensitate al campului este mai mare decat nivelul pragului de frecventa, radioul se mentine la acel buton reglat pentru cateva secunde cu decuplare de pe modul silentios, apoi cauta din nou.

**STOCAREA POSTURILOR RADIO**

Apasati butoanele presetate (14-19)

**1) MODUL RADIO**

M1~M6

- MEMORIE PRESETATA este incarcata cand este apasat butonul pentru mai putin de 1 secunda.

- MEMORIE PRESETATA este salvata cand este apasat butonul pentru mai mult de 1 secunda.

**2) CD/ MP3/ FLASH MP3**

PORNIRE/PAUZA

Apasati si butonul (14) este activat. In timpul PAUZEI, INDICATORUL DE DISC lumineaza intermitent.

TOP- prima melodie va incepe cand primul buton este apasat pentru mai mult de 0.5 sec.

INT

Apasati butonul (15). In timp ce butonul INTRO este pornit, indicatorul INT va porni primele 10 secunde din fiecare melodie, pana la ultima. Se va derula tot discul de unde a inceput INT.

**SCANARE**

Cand intensitatea semnalului unui post radio are nivelul mai mare decat nivelul de oprire. Radioul va reda postul timp de 5 secunde si frecventa va palpai pe ecranul LCD, in acelasi timp. Apasati si tineti apasat butonul de scanare (26) mai mult de 3 secunde pentru a selecta postul dorit. Radioul va incepe redarea postului.

**SETARE USA/EUR**

Pe modul Radio apasati butonul SEL timp de cateva secunde. Ecranul LCD va afisa de la DSP OPRIT/PORNIT -> AREA USA/EUR. Pe optiunea AREA USA/EUR puteti utiliza butonul VOL +/- pentru a selecta frecventa ZONEI.

## **CD/SD/MMC/USB**

### **Redare discuri**

Acest aparat functioneaza cu urmatoarele tipuri de discuri: CD/CD-R/-RW. Este compatibil cu formatele: CD DA/MP3/WMA.

### **Incarcarea si scoaterea unui disc**

1. Porniti aparatul.
2. Introduceti discul cu partea imprimata in sus in spatiul destinat acestuia.
3. Apasati butonul EJECT pentru a scoate discul.

### **Card multi-media MMC/Spatiul destinat cardului SD**

Aparatul suporta doar formatele MP3/WMA/ID3. Detasati panoul frontal. Introduceti cu grija cardul SD/MMC in spatiul destinat acestuia in panoul din interior. Atasati panoul. Aparatul porneste redarea automat.

### **Mufa USB**

Conectati cu grija driver-ul USB la cablul adaptorului USB si apoi introduceti-l in mufa USB a panoului frontal. Aparatul porneste redarea automat.

### **Note USB/SD/MMC**

Funcțiile USB (memorie tip flash), redare muzica MP3:

1. Suport card SD/MMC.
2. FAT 12/FAT 16/FAT 32  
FAT 12/FAT 16 (suporta directoare max: 200, nr. fisiere maxim: 500)  
FAT 32 (suporta directoare max: 200, nr. fisiere maxim: 500)
3. Denumire fisier: 32 biti/ Denumire dir.: 32 biti.
4. Tag(id3 tag ver 2.0)  
Titlul/Artist/Album: suporta 32 biti.
5. Nu suporta un dispozitiv ce citeste mai multe carduri.
6. Suporta un dispozitiv USB 2.0.

### **Nota:**

Formatul USB suporta 2.0.

Capacitate: pana la 0.4GB.

Marci carduri SD: Cannon, Fuji, Palm, Motorola, Microsoft, IBM, HP, Compaq, Sharp, Samsung, etc.

Capacitate: pana la 4GB.

Marci carduri MMC: Ericsson, Nokia, Motorola, HP, Palm, Sanyo, Microsystem, etc.

Capacitate: pana la 4GB.

Nota: Datorita gamei largi de produse cu dispozitive pentru card SD si MMC si functiile acestora specifice producatorului, acesta din urma nu poate garanta nici ca dispozitivele vor fi recunoscute, dar nici ca optiunile de functionare posibile in teorie vor functiona in realitate.

**Informatii ID3 Tag**

Acest aparat suporta ID3 tag ver. 2.0. Daca un fisier MP3 detine informatie ID3 tag, va fi afisat pe LCD. Daca nu exista informatie ID3 tag, pe ecran nu va aparea nimic. Informatia ID3 tag poate include Fisier, Director, Muzica, Album sau date despre Artist.

**Urmator/Anterior**

Apasati butoanele URMATOR/ANTERIOR pentru a alege piesa urmatoare sau anterioara. Apasati mai mult de o secunda, pentru a alege derulare inainte sau inapoi.

**Pornire/Pauza**

Apasati butonul PAUZA pentru a intrerupe redarea, apasati inca o data pentru a relua redarea normala.

**INTRO (examinare toate piesele)**

Cand apasati acest buton, simbolul INT ON este afisat si primele cateva secunde din fiecare piesa vor fi redade. Apasati inca o data pentru a opri optiunea INTRO si a asculta piesa.

**REPETARE**

Cand apasati butonul RPT, simbolul „RPT” va aparea pe ecran, iar redarea piesei selectate se va repeta continuu pana la anulara modului printr-o noua apasare a butonului.

**RANDOM**

Cand apasati butonul RDM, simbolul „RDM ON” va aparea pe ecran, iar fiecare piesa va fi redata la intamplare si nu in ordine normala. Pentru anulara modului RANDOM apasati inca o data butonul.

**Selectare piesa UP/DOWN (In cazul fisierelor MP3/WMA)**

- Buton 10/5: 10 piese jos.
- + Buton 10/6: 10 piese sus.

## **Selectarea fisierelor MP3/WMA**

### **1. Durata cautare:**

- Apasati butonul AMS o singura data, durata de cautare este activata.
- Rotiti butonul VOL la dreapta sau stanga, selectati durata dorita.
- Apasati butonul VOL, durata selectarii piesei va fi redata.

### **2. Cautare Piesa:**

- Apasati butonul AMS de doua ori, cautarea piesei este activata.
- Rotiti butonul VOL spre dreapta sau stanga, selectati piesa dorita.
- Apasati butonul VOL, piesa aleasa va porni.

### **3. Cautare denumire fisier:**

- Apasati butonul AMS de 3 ori, cautarea fisierului este activata.
- Apasati butonul VOL, primul director va fi afisat.
- Rotiti butonul VOL spre dreapta sau stanga, puteti selecta directorul dorit.
- Apasati butonul VOL inca o data, directorul este stability si denumirea primului fisier va fi afisata.
- Rotiti butonul VOL spre dreapta sau stanga, puteti selecta fisierul dorit.
- Apasati butonul VOL, piesa selectata va porni.

### **4. Cautare Caracter:**

- Apasati butonul AMS de 4 ori, modul de cautare al caracterelor este activat.
- Apasati butonul VOL, caracterul \* va fi afisat.
- Rotiti butonul VOL spre dreapta sau stanga, puteti selecta litera dorita.
- Apasati butonul VOL mai mult de 2 sec.
- Piesa avand acelasi caracter cu cel selectat este afisata.
- Rotiti butonul VOL spre dreapta sau stanga, puteti selecta piesa dorita.
- Apasati butonul VOL, piesa selectata va porni.

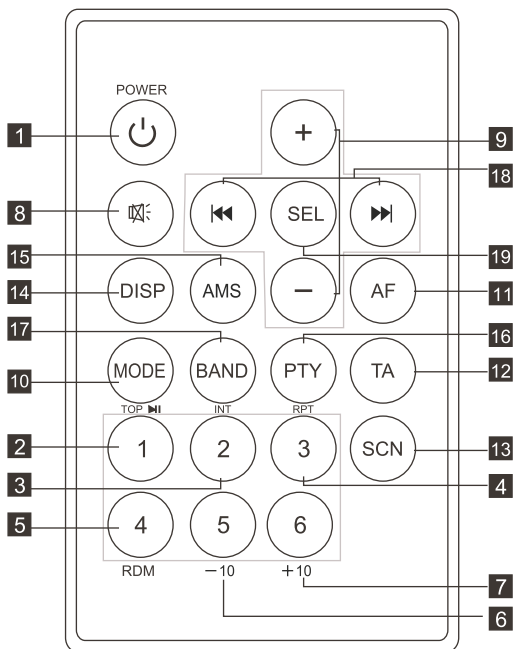
## PRIVIRE GENERALE MP3 WMA

- MP3 reprezinta prescurtarea pentru Nivelul Audio 3 MPEG si face referire la un standard tehnologic de compresie audio.
- Acest dispozitiv permite redarea fisierelor MP3 de pe CD-ROM, CD-R sau CD-RW.
- Aparatul poate citi fisiere MP3 scrise in format conform standardului ISO 9660. Cu toate acestea nu suporta date MP3 scrise cu ajutorul metodei impachetarii.
- Aparatul nu poate citi un fisier MP3 care sa aiba o extensie alta decat „mp3”.
- Daca incercati sa ascultati un fisier care nu este MP3 si care are extensie „mp3”, se pot auzi niste zgomote.
- In acest manual facem referire la ceea ce se numesc „fisier MP3” si „director” in terminologia PC ca si „piesa” si respectiv „album”.
- Numarul maxim al nivelului directorului este 8, inclusiv directorul radacina. Numarul maxim de fisiere si directoare/ disc este de 256.
- Aparatul nu poate reda piesele in ordinea numerelor pieselor.
- Aparatul reda doar piesele audio, daca discul contine atat piese audio cat si fisiere MP3.
- Cand ascultati un disc de 9 kbps sau „VBR”, durata redarii de pe afisaj nu va fi corecta si de asemenea redarea intro s-ar putea sa nu functioneze corespunzator. „VBR”: Rata Biti Variabila
- Aparatul suporta redarea fisierelor WMA. Redarea tag ID3 pentru formatul WMA nu este garantata, depinde de versiuni si de disponibilitatea alfabetului chirilic.
- WMA ( Windows Media Audio) – format comprimare muzica, creat de Microsoft Corporation. Acest format utilizeaza algoritm codificat pentru comprimarea inregistrarii audio initiale, diminuand considerabil dimensiunile fisierului, dar pastrand o calitate buna a sunetului chiar si atunci cand rata de transfer este mica (de exemplu 64 Kbit/s).
- Trebuie sa tineti minte ca aparatul s-ar putea sa nu redea piesele in ordinea in care sunt scrise pe disc.

### **Note privind crearea propriului CD-R sau CD-RW ce sa contina fisiere MP3:**

- Pentru a va bucura de o calitate mai buna a sunetului, va recomandam conversia fisierelor MP3 cu o frecventa de 44.1kHz si o rata fixa de transfer de 128 kbps.
- Nu memorati mai mult de 256 fisiere MP3/disc.
- Pentru ISO 9660 – format conform cu acest standard, numarul maxim de fisiere in serie permise este de 8, inclusiv directorul baza.
- Cand folositi un disc CD-R, redarea este posibila doar pentru discuri care au fost finalizate la scriere.
- Asigurati-va ca atunci cand MP3, CD-R sau CD-RW este sters, sa fie formatat ca un disc ce contine date si NU ca un disc audio.
- Nu trebuie sa scrieti fisiere ce nu sunt MP3 sau fisiere de care nu aveti nevoie impreuna cu fisiere MP3, in caz contrar va fi nevoie de mai mult timp pentru ca aparatul sa inceapa sa redea fisiere MP3.
- Cu anumite CD-R sau CD-RW, s-ar putea ca informatiile sa nu fie scrise corespunzator in functie de calitatea discului. In acest caz, informatiile pot sa fie reproduse incorect. Se recomanda folosirea de CD-R sau CD-RW de calitate superioara.
- Pana la 16 litere sunt afisate pentru numele unui Album sau a unei Piese. Versiunea ID3 tag 1x este necesara.
- Trebuie sa retineti faptul ca aparatul nu poate reda piesele in ordinea in care le-ati scris pe disc.

TELECOMANDA



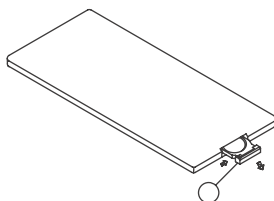
- |   |   |
|---|---|
| <ul style="list-style-type: none"> <li><b>1</b> Butonul de pornire</li> <li><b>2</b> Buton pauza/ pornire/presetare 1</li> <li><b>3</b> Intro/Buton presetare 2</li> <li><b>4</b> Repeatre redare/ Buton presetare 3</li> <li><b>5</b> Redare RANDOM/ Buton presetare 4</li> <li><b>6</b> Buton presetat 5</li> <li><b>7</b> Buton presetat 6</li> <li><b>8</b> Buton MUTE</li> <li><b>9</b> Volum</li> </ul> | <ul style="list-style-type: none"> <li><b>10</b> Comutator MODE</li> <li><b>11</b> Buton pentru frecvente alternative</li> <li><b>12</b> Buton pentru Informatii despre Trafic</li> <li><b>13</b> Buton SCAN</li> <li><b>14</b> Buton Afsaj</li> <li><b>15</b> Buton APS/AMS</li> <li><b>16</b> Buton pentru program</li> <li><b>17</b> Comutator lungime de banda</li> <li><b>18</b> Reglare/Alegerea melodiilor /FW /RW</li> <li><b>19</b> Buton pentru selectarea meniului.</li> </ul> |
|---|---|



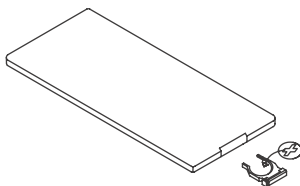
## INLOCUIREA BATERIEI LA TELECOMANDA

Cand raza de operare a telecomenzii slabeste sau telecomanda nu mai functioneaza este recomandata inlocuirea bateriei vechi si inlocuirea cu o baterie noua. Asigurati-va ca polaritatea bateriei este corecta inainte de inlocuire, in caz contrar telecomanda se poate defecta.

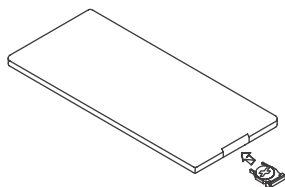
1. Scoateti suportul pentru baterie in timp ce apasati sistemul de blocare



2. Puneti bateria cu semnul (+) in sus in suport.




3. Inserati suportul in telecomanda



## **SPECIFICATII**

### **Specificatii generale**

Alimentarea:	DC 14.4V“  ”, minusul la masa
Impedanta:	4 Ohmi
Putere maxima:	25W x 4 canale
Dimensiuni:	178 x 163x 50mm (W x D x H)
Debit:	10A

### **Ton**

Bass (la 100Hz):	+10dB / -10dB
Treble (la 10K):	+10dB / -10dB

### **CD Player**

Raport semnal/zgomot	mai mare de 60dB
Separare posturi:	mai mare de 60dB
Raspuns in frecventa:	20Hz - 20KHz

### **Radio FM**

Acoperire (MHz):	87.5 - 108MHz
IF	10.7MHz
Sensibilitate (S/N = 30 dB):	12dBu
Separare stereo:	>30dB

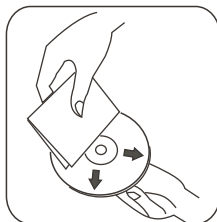
### **Radio AM**

Acoperire (KHz):	522 - 1620KHz
IF	450KHz
Sensibilitate (S/N=20dB):	<42dBu

NOTA: SPECIFICATIILE SE POT SCHIMBA FARA O INSTIINTARE PREALABILA.

**DE RETINUT INAINTE DE OPERARE**

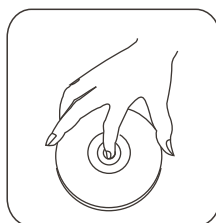
Înainte de ascultarea unui CD, curățați-l cu un material curat, fără praf. Curățați discul în direcția săgeții.



Introduceți întotdeauna discul cu eticheta în sus. Dacă CD-ul este introdus cu partea imprimată în jos, aparatul poate suferi pagube.



NOTA: Dacă există deja un CD în aparat, nu încercați să introduceți un altul. Dacă acest lucru poate strica aparatul. Întotdeauna țineți CD-ul de margine. Pentru a păstra CD-ul curat nu atingeți suprafața acestuia. Scoateți CD-ul în mod adecvat.



Nu lipiți banda adezivă sau orice alți adezivi pe CD.  
Nu expuneți CD-ul luminii directe a soarelui sau altor surse de căldură.  
Nu lăsați CD-urile în mașină dacă aceasta este parcată în lumina directă a soarelui pentru că aceasta va duce la creșterea temperaturii din mașină.

Nota:

Nu folosiți dizolvanți precum petrolul sau alți diluanți. Substanțe antistatice sub formă de spray pentru curățat ce se găsesc în comerț vor produce pagube aparatului.

## DEPANARE

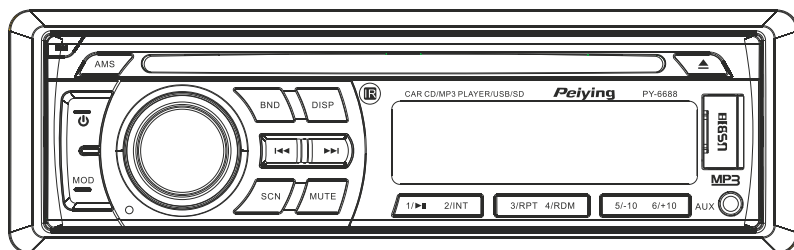
Inainte de a consulta tabelul, verificati conexiunile cablurilor. Daca vreuna din probleme persista dupa ce ati parcurs tabelul de mai jos, consultati cel mai apropiat furnizor.

<b>Simptome</b>	<b>Cauze</b>	<b>Solutii</b>
Nu se alimenteaza	Nu este pus contactul	Daca alimentarea este corespunzatoare puneti contactul pe ACC
	Siguranta s-a ars	Inlocuiti siguranta
Nu se poate introduce sau scoate cd-ul	Exista deja un CD in aparat	Scoateti CD-ul din aparat si introduceti altul
	S-a introdus gresit CD-ul	Introduceti corect CD-ul
	CD-ul este foarte murdar sau defect	Curatati CD-ul sau incercati sa introduceti un alt CD
	Temperatura din masina este prea ridicata	Aerisiti pana cand temperatura revine la normal
	Condens	Lasati casetofonul inchis pentru o ora sau mai mult
Fara sunet	Volumul este la minim	Reglati volumul la nivelul dorit
	Cablurile nu sunt conectate corespunzator	Verificati conexiunea cablurilor
Sunet intrerupt	Unghiul de instalare este mai mare de 30°	Reglati unghiul de instalare la mai putin de 30°
	CD-ul este foarte murdar sau defect	Curatati CD-ul sau incercati sa introduceti un alt CD
Butoanele de comanda nu Functioneaza	Microprocesorul montat in interior nu functioneaza corespunzator	Apasati butonul RESETARE sau reinstalati partea din fata
Radioul sau selectarea automata nu functioneaza	Cablul de antena nu este conectat corespunzator	Conectati cablul antenei in mod corespunzator
	Semnalul este prea slab	Selectati posturile de radio manual

# Peiying®

---

## Bedienungsanleitung Auto Receiver Peiying Basic



CE

PY6688

English 1-18

Polski 19-38

Română 39-58

Deutsch 59-78



***INHALT***

Instalation .....62

Anschlussdiagramm .....64

Allgemeine Funktionen .....65

Radio Funktionen .....68

CD/SD/MMC/USB Funktionen .....70

Überblick MP3/WMA .....73

Fernbedienung .....74

Technische Daten .....76

Allgemeine Hinweise For Der CD Inbetriebnehme .....77

Störungsbehebung .....78

## **INSTALATION**

### **WARNUNGEN**

Der Ort der Montage sollte so gewählt werden, dass das Gerät den Fahrer nicht stört.

Vor dem endgültigen Einbau, vorübergehend Gerät mit Spannung versorgen und sicherstellen, dass es richtig angeschlossen ist und dass sowohl das Gerät als auch das System in normalen Parameter funktionieren.

Verwenden Sie nur die mitgelieferten Teile zur korrekten Installation. Die Verwendung anderer Bauteile kann zu Geräteschäden führen.

Fragen Sie Ihren nächstgelegenen Autohändler, wenn die Installation Bohrungen oder sonstige Änderungen des Autos erfordert.

Installieren Sie das Gerät so, dass es nicht den Fahrer stört und die Passagiere nicht verletzt im Falle eines plötzlichen Bremsmanövers, wie eine Not-Bremung.

Installieren das Gerät nicht an Orten, wo es hohen Temperaturen, wie Sonnenlicht, warme Luft, heiße Luft von der Heizung oder an Orten mit Staub, Schmutz oder starken Vibrationen ausgesetzt ist.

Schützen Sie das Gerät vor Feuchtigkeit.

### **FRONTMONTAGE**

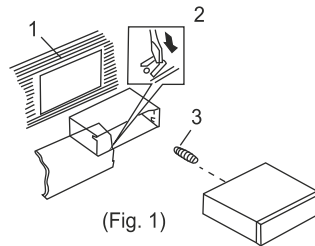
(Methode A)  
Geräteeinbau

Zum Einbau beobachten Sie Fig.1 oder Fig.2

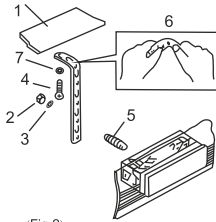
1. Armaturenbrett
2. Halter

Nach dem Einlegen des Halters in das Armaturenbrett, wählen Sie die Spangen abhängig von der Materialstärke und biegen Sie diese um das Gerät zu fixieren. (Fig.1)

3. Schraube





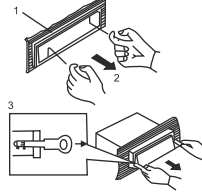


(Fig. 2)

1. Armaturenbrett
2. Mutter (5mm)
3. Sicherungsscheibe
4. Schraube (5 x 25mm)
5. Schraube
6. Band

Verwenden Sie das Band zur Sicherung der Rückseite des Geräts. Das Band kann bis zum gewünschte Winkel gebogen werden. Fig. 2 Flachscheibe

Removing the unit



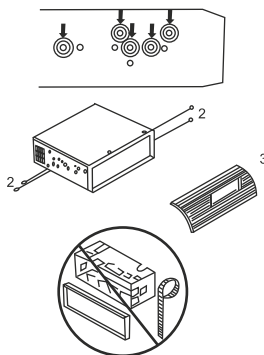
(Fig. 3)

1. Rahmen
2. Legen Sie die Finger in die Nut im vorderen Rahmen und ziehen Sie um den Rahmen zu entfernen. (Um den Rahmen wieder zu befestigen, einfach mit dem Schlitz nach unten eindrücken).
3. Löseschlüssel  
Setzen Sie die beigelegten Löseschlüssel in die Nut auf beiden Seiten des Geräts so ein das sie mit einem Klicken einrasten. Durch ziehen an beiden Schlüssel wird das Gerät aus dem Armaturenbrett entfernt .

## EINBAU DES GERÄTES IM WERKSEITIGEN SCHACHT

Montagehalter:

1. Wählen Sie eine Position, wo die Bohrungen des Halters und der zentralen Einheit in der gleichen Linie sind und ziehen Sie die zwei Schrauben an jeder Seite an. Verwenden Sie entweder Ankerbolzen (5x5mm) oder Schrauben mit Senkkopf (4x5mm).
2. Schraube  
Armaturenbrett.

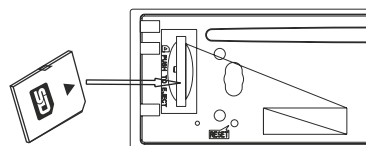


## RÜCKENMONTAGE ( Methode B )

Die Montage erfolgt mit den Löchern an den Außenseiten des Gerätes.

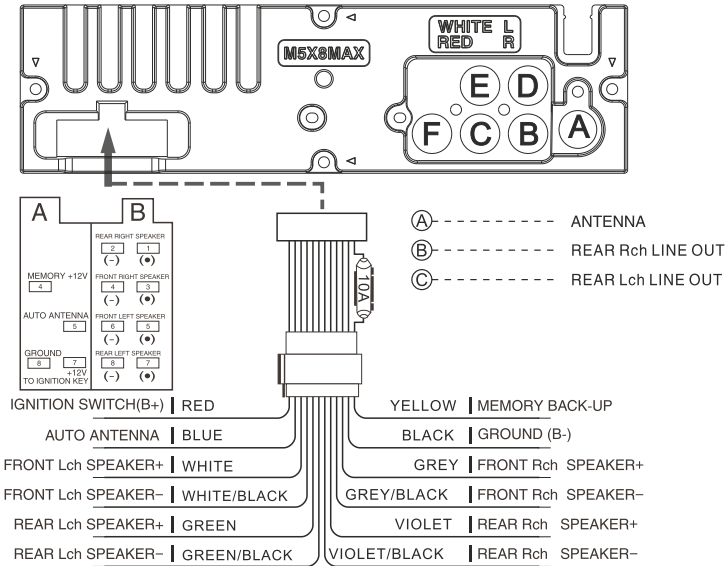
## EINFÜGEN DER SD KARTE

SD Karte schräg nach unten halten, legen Sie diese in den SD-Schacht. Durch erneutes drücken wird die Karte wieder entfernt.



# ANSCHLUSSDIAGRAMM

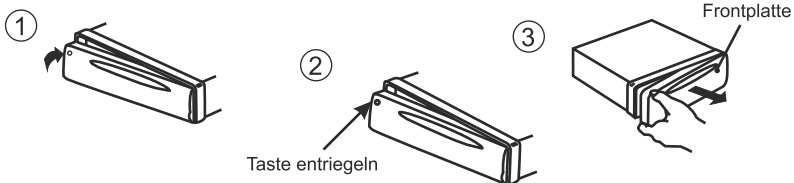
## ANSCHLUSSDIAGRAMM



## EINSETZEN UND ABNEHMEN DER FRONTPLATTE

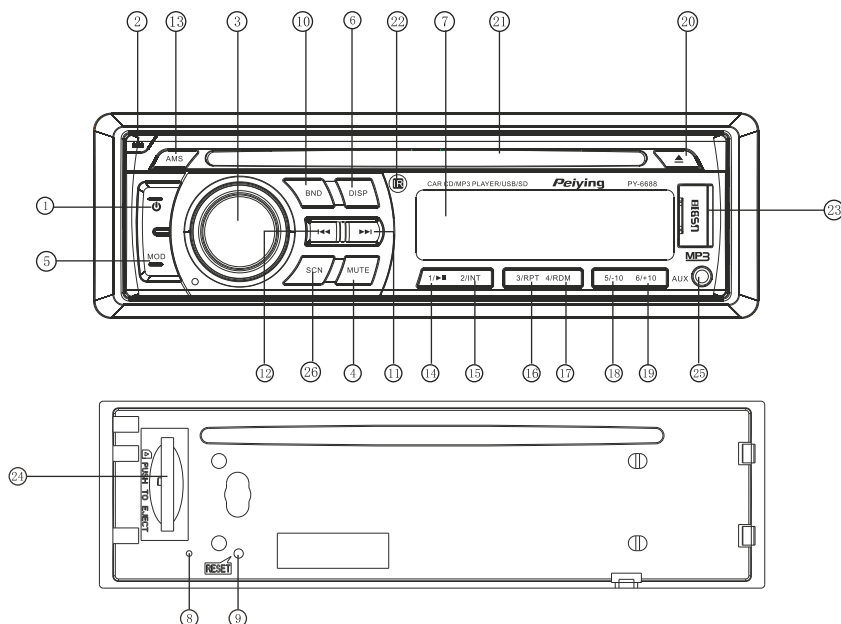
### EINSETZEN DER FRONTPLATTE

Die Frontplatte wird in das Gehäuse gesteckt bis Sie einrastet. Stellen Sie sicher, dass die Frontplatte fest an das Hauptgerät angefügt wurde, ansonsten können Unregelmäßigkeiten auf dem Display Erscheinen oder einige Tasten werden nicht richtig funktionieren.



# ALLGEMEINE FUNKTIONEN

## FRONTPLATTE



- |  |   |
|--|---|
| 1. Taste Ein/Aus Schalter                      | 17. Zufallsgesteuerte Reihenfolge und Stationstaste 4 |
| 2. Taste Entriegeln der Frontplatte            | 18. Stationstaste 5                                   |
| 3. Lautstärkereglер / Auswahlstaste            | 19. Stationstaste 6                                   |
| 4. Taste Ton Aus (Mute)                        | 20. CD Auswurf  |
| 5. Taste Funktion                              | 21. CD Einschub                                       |
| 6. Taste Display                               | 22. Sensor für Fernbedienung                          |
| 7. LCD Display                                 | 23. USB Steckplatz                                    |
| 8. LED   | 24. Steckplatz für SD/MMC Karte                       |
| 9. Taste Reset                                 | 25. AUX Eingang                                       |
| 10. Taste Wellenbereich wählen                 | 26. Taste SCAN  |
| 11. Taste Frequenz suchen / Schneller Vorlauf  |   |
| 12. Taste Frequenz suchen / Schneller Rücklauf |   |
| 13. Taste Automatische Speicherung             |   |
| 14. Taste Start / Pause und Stationstaste 1    |   |
| 15. Intro und Stationstaste 2                  |   |
| 16. Wiederholung und Stationstaste 3           |   |

**EIN / AUS-SCHALTEN**

Drücken Sie eine beliebige Taste um das Gerät einzuschalten. Drücken und gedrückt halten des Ein/Aus Schalter (1) schaltet das Gerät aus.

HINWEIS: Nach dem abschalten des Gerätes werden Volumen und Radioeinstellungen gespeichert und beim einschalten wieder hergestellt.

**ABNEHMEN DER FRONTPLATTE**

Drücken Sie die Taste Entriegeln der Frontplatte (2) zum entfernen der Frontplatte.

**EINSTELLEN DER LAUTSTÄRKE**

Durch drehen des Lautstärkereglers (3) kann die gewünschte Lautstärke eingestellt werden.

Durch drücken der Auswahlstaste (3) können Sie folgende Optionen auswählen:

**LAUTSTÄRKEREGLER / AUSWAHLTASTE**

Regeln Sie Lautstärke, Bass, Höhen, Balance, Fader, durch drehen des Lautstärkereglers (3) nach rechts oder links. Um eine Funktion Auszuwählen drücken Sie kurz die Auswahlstaste (3) bis die gewünschte Funktion im Display erscheint.

**LAUTSTÄRKE (VOL)**

Regeln Sie die Lautstärke durch drehen des Lautstärkereglers (3).

**BÄSSE (BAS)**

Drücken Sie die Auswahlstaste (3) einmal. Regeln Sie Bass (niedrige Frequenzen) durch drehen des Lautstärkereglers.

**HÖHEN (TRE)**

Drücken Sie die Auswahlstaste (3) zweimal. Regeln Sie Höhen (hohe Frequenzen) durch drehen des Lautstärkereglers.

**BALANCE (BAL)**

Drücken Sie die Auswahlstaste (3) dreimal. Regeln Sie den Ton zwischen den Lautsprechern rechts und links durch drehen des Lautstärkereglers.

**FADER (FAD)**

Drücken Sie die Auswahlstaste (3) viermal. Regeln Sie die Balance zwischen den Lautsprechern vorne und hinten durch drehen des Lautstärkereglers.

## ANDERE EINSTELLUNGEN

Halten Sie die Auswahltaste (3) für zwei Sekunden gedrückt; folgende Optionen werden zyklisch wie folgt aktiviert:



Drücken und halten der Taste aktiviert folgende Funktionen:

### OPTION DSP (EIN/AUS)

Drücken und halten der Taste aktiviert automatisch den DSP-Modus (Equalizer Funktion). Sie können wählen zwischen Pop, Rock, Klassik, Flat (niedriger in der Tonhöhe), oder DSP aus durch drehen des Lautstärkereglers. Kurzes drücken der Auswahltaste aktiviert die Funktion.

### OPTION ESP (CD – MODUS)

Im DSP-Modus durch einmaliges drücken wird ESP (Elektronischer Schockprotector) aktiviert: Durch drehen des Lautstärkereglers können Sie zwischen 12 Sekunden oder 45 Sekunden ESP wählen. Kurzes drücken der Auswahltaste aktiviert die Funktion.

### OPTION BEEP

Im DSP-Modus durch zweimaliges drücken wird BEEP ON/OFF aktiviert. Durch drehen des Lautstärkereglers können Sie zwischen BEEP ON (EIN - es ertönt ein Piepton beim drücken der Tasten) oder OFF (AUS) wählen. Kurzes drücken der Auswahltaste aktiviert die Funktion.

### OPTION SUCHE (SEEK 1/2)

SUCHEN 1 (SEEK 1): Wenn die Option SUCHE 1 aktiviert ist, wird die AUTOMATISCHE SENDERSUCHE unterbrochen wenn ein Radiosender gefunden wird, auch wenn der Benutzer weiter die Taste SUCHE drückt.

SUCHEN 2 (SEEK 2): Die Sendersuche wird nicht unterbrochen wenn ein Sender gefunden wird, auch wenn der Benutzer weiter die Taste SUCHE drückt. Die Option wird bei Freilassung der Taste SUCHE beendet sobald ein Sender erkannt wird.

### OPTION LETZTE LAUTSTÄRKE/ REGELUNG (VOL LAST/ADJ)

Mit dieser Funktion können Sie die Lautstärke des Geräts beim einschalten einstellen. Wählen Sie VOL LAST, wenn Sie die Lautstärke vor dem ausschalten des Gerätes beibehalten wollen. Durch die Option VOL ADJUST können Sie die gewünschte Lautstärke einstellen.

**TASTE TON AUS (MUTE)**

Durch drücken der Taste (4) MUTE ON wird der Ton abgeschaltet oder wieder eingeschaltet (MUTE OFF).

**TASTE FUNKTION**

Durch drücken der Taste (5) können Sie verschiedene Funktionen auswählen:

- Frequenz (Radio)
- CD (MP3 CD)
- Für diese Funktion muss sich eine CD im Gerät befinden.
- SPEICHERKARTE
- Für diese Funktion muss sich eine Speicherkarte im Gerät befinden.
- USB
- Für diese Funktion muss ein USB - Speichermedium angeschlossen sein.
- AUX Komponente.

**TASTE DISPLAY**

Drücken Sie die Taste (6) Display um die Anzeige zu verändern:

Die Uhrzeit wird für 5 Sekunden angezeigt wenn die DISPLAY Taste betätigt wird, und kehrt zur vorherigen Anzeige zurück (Ordner, Name des Dokuments), wenn die DISPLAY Taste nicht wieder gedrückt wird. Im Uhr Modus, wenn die DISPLAY Taste für mehr als eine Sekunde gedrückt wird, aktiviert man die Zeiteinstellung und die Anzeige beginnt zu blinken. Nun kann die Uhrzeit durch drücken von (+/-) oder durch drehen des Lautstärkereglers Eingestellt werden.

**LCD - DISPLAY-ANZEIGE**

In diesem Bereich werden Informationen zum Wellenbereich, zur Frequenz und zu anderen Einstellungen angezeigt. (7).

**BLINKENDE LED**

Wenn die Frontplatte nicht richtig einrastet blinkt die LED (8).

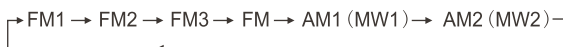
## ***RADIO FUNKTIONEN***

**BAND (WELLENBEREICH) AUSWÄHLEN**

Drücken Sie die Taste BAND (10), im Radio-Modus um den gewünschten Wellenbereich auswählen. Der Wellenbereich ändert sich in der folgenden Reihenfolge:



oder

**RADIOSENDER AUSWÄHLEN**

Drücken Sie kurz die Taste (11) Frequenz suchen / Schneller Vorlauf oder die Taste (12) Frequenz Suchen / Schneller Rücklauf.

---

## **AUTOMATISCHE SPEICHERUNG und PROGRAMMSUCHE**

### **AUTOMATISCHE SPEICHERUNG**

Drücken Sie der Taste (13) AMS AUTOMATISCHE SPEICHERUNG für einige Sekunden, das Radio sucht eine Frequenz und überprüft das Signal, bis ein Suchzyklus beendet ist. So sind die ersten 6 Radiosender gespeichert, jeder Stationstaste entspricht ein Sender.

### **PROGRAMMSUCHE**

Drücken Sie kurz die Taste (13) AMS um eine Radiostation zu suchen. Wenn die Signalstärke größer ist als die Grenzfrequenz, bleibt das Radio an, für ein paar Sekunden mit Aufhebung des Stumm - Modus, und sucht anschließend erneut.

### **SPEICHERUNG DER RADIOSTATIONEN**

Drücken Sie die Stationstasten (14~19)

### **RADIO MODUS M1~M6**

Durch kurzes drücken der Stationstaste (unter 1 Sekunde) beginnt die Wiedergabe des gespeicherten Senders.

Durch drücken der Stationstaste länger als 1 Sekunde wird der ausgewählte Sender gespeichert.

### **CD/MP3/FLASH MP3 WIEDERGABE**

### **PAUSE/START/ STOPP**

Drücken Sie die Taste (14) START. Bei Einschalten der PAUSE, blinkt die ZEIT ANZEIGE. Erneutes drücken beendet die Pause.

### **TOP**

Die erste Melodie beginnt beim drücken der ersten Taste länger als 0,5 Sekunden

### **INT**

Drücken Sie die Taste (15) INT - INTRO

Die Wiedergabe startet mit den ersten 10 Sekunden von jeder Melodie von INT Angefangen bis zur letzten.

### **PROGRAMMSUCHE**

Drücken Sie kurz die Taste (26) SCAN um eine Radiostation zu suchen. Wenn die Signalstärke größer ist als die Grenzfrequenz, bleibt das Radio an, für 5 Sekunden UND DIE Frequenz blinkt i, Display. Drücken der Taste SCAN länger als 3 Sekunden beginnt die Wiedergabe des ausgewählten Senders.

### **AUSWAHL DE ZONE**

Im Radio-Modus, halten Sie die Auswahltaste (3) für einige Sekunden gedrückt, im Display erscheinen folgende Optionen:

### **DSP ON/OFF → AREA USA/EUR**

Durch kurzes drücken der Auswahltaste Option ZONE (AREA) auswählen, USA oder EUROPA (EUR) wird durch drehen des Lautstärkereglers (3) eingestellt.

## **CD/SD/MMC/USB FUNKTIONEN**

Das Gerät kann folgende Medien abspielen: CD/CD-R/-RW.  
Kompatible Formate: CD DA/MP3/WMA.

### **EINLEGEN UND HERAUSNEHMEN DER CD**

1. Gerät einschalten.
2. CD mit der bedruckten Seite nach oben einlegen.
3. Drücken Sie die Taste (23) CD AUSWURF (EJECT) um die CD anzuhalten und auszuwerfen.

### **MULTIMEDIA KARTE/STECKPLATZ FÜR SD/MMC KARTE**

Das Gerät erkennt folgende Formate: MP3/WMA/ID3. Frontplatte abnehmen. Speicherkarte mit Sorgfalt in den Steckplatz im Gehäuse einfügen. Frontplatte einsetzen. Die Wiedergabe startet automatisch.

### **USB Steckplatz**

USB – Speichermedium und das Adapterkabel mit Sorgfalt verbinden und in den Steckplatz am Gerät einfügen. Die Wiedergabe startet automatisch.

### **HINWEISE USB/SD/MMC**

USB Funktionen, (Flash memory); MP3 – Wiedergabe

1. Kartensteckplatz SD/MMC
2. FAT 12/FAT 16/FAT 32
  - FAT 12/FAT 16 (Ordner Maximum: 200, Dateien Maximum: 500)
  - FAT 32 (Ordner Maximum: 200, Dateien Maximum: 500)
3. Dateinamen 32 Byte; Ordnername 32 Byte
4. Tag (ID3 Tag Ver. 2.0)
  - Titel/Interpret/Album: 32 Byte.
5. Ein Gerät für mehrere Karten wird nicht unterstützt.
6. Kompatibel USB 2.0.

### **HINWEIS:**

USB Format unterstützt Ver. 2.0

Kapazität bis 4 GB

SD Kartenhersteller: Canon, Fuji, Palm, Motorola, Microsoft, IBM, HP, Compaq, Sharp, Samsung, usw.

Kapazität bis 4 GB

MMC Kartenhersteller: Ericsson, Nokia, Motorola, HP, Palm, Sanyo, Microsystem, usw.

Kapazität bis 4 GB

Hinweis: Durch die breite Palette von Produkten mit MMC- und SD-Karten-Geräte und ihrer Hersteller-spezifische Funktionen, kann nicht garantiert werden, dass die Speicherkarten erkannt, oder mögliche Funktion in der Theorie auch in der Realität funktionieren



**INFORMATIONEN ID3 TAG**

Dieses Gerät unterstützt ID3 Tag Ver. 2.0. Wenn eine MP3-Datei ID3-Tag-Informationen enthält, wird diese auf dem LCD Display angezeigt. Wenn keine ID3-Tag-Informationen vorliegen, wird nichts angezeigt. ID3-Tag-Informationen können Informationen über Datei-, Verzeichnis-, Musik-, Album oder Künstler enthalten.

**CD VORWÄRTS / RÜCKWERTS**

Drücken Sie die Taste (11-12) Vorlauf/Rücklauf um die nächste oder vorherige Melodie auszuwählen. Längeres drücken startet den schnellen Vorlauf (Rücklauf)

**START/PAUSE**

Drücken Sie die Taste (14) START. Bei Einschalten der PAUSE, stoppt die Wiedergabe, nochmaliges drücken startet die Wiedergabe.

**AUTOMATISCHE WIEDERGABE INTRO**

Drücken Sie die Taste (15) INTRO

Die Wiedergabe startet mit den ersten 10 Sekunden von jeder Melodie. Nochmaliges drücken stoppt die Funktion und startet die normale Wiedergabe

**WIEDERHOLUNG**

Drücken Sie die Taste (16): CD-Modus: die Funktion WIEDERHOLUNG AN/AUS (RPT ON/OFF) ist aktiviert. Beim Start der Funktion erscheint die Anzeige RPT und die gerade ausgewählte Melodie wird wiederholt. Nochmaliges drücken stoppt die Funktion.

**ZUFÄLLIGE REIHENFOLGE (RDM)**

Drücken Sie die Taste (17): Wenn diese Funktion aktiviert ist erscheint die Anzeige RDM. Die Melodien werden in zufälliger Ordnung gespielt. Nochmaliges drücken stoppt die Funktion.

**DATEIEN AUSSUCHEN VORWÄRTS / RÜCKWERTS MP3 MODUS**

Taste +10/Stationstaste 6 - 10 MELODIEN VORWÄRTS

Taste -10/ Stationstaste 5 - 10 MELODIEN RÜCKWERTS

## **SUCHMODUS**

### **1. ZEITSUCHE**

1. Drücken Sie die Taste (13) AMS, Suchmodus ist aktiviert.
2. Durch drehen des Lautstärkereglers (3) wird die Zeit eingestellt.
3. Durch nochmaliges drücken der Auswahltaste (3) beginnt die Wiedergabe der eingestellten Melodiezeit.

### **2. TITELSUCHE**

1. Drücken Sie die Taste (13) AMS zweimal um in den Modus Titelsuche zu gelangen.
2. Durch drehen des Lautstärkereglers (3) werden die Titel angezeigt.
3. Durch drücken der Auswahltaste (3) wird der Titel ausgewählt und die Wiedergabe beginnt.

### **3. DATEISUCHE**

1. Drücken Sie die Taste (13) AMS dreimal um in den Modus Dateisuche zu gelangen.
2. Drücken Sie die Auswahltaste (3) einmal der erste Dateiodner wird angezeigt.
3. Durch drehen des Lautstärkereglers (3) werden die Ordner angezeigt.
4. Durch drücken der Auswahltaste (3) wird der Ordner geöffnet und die erste Datei angezeigt.
5. Durch drehen des Lautstärkereglers (3) werden die Dateien angezeigt.
6. Durch drücken der Auswahltaste (3) wird der Titel ausgewählt und die Wiedergabe beginnt.

### **4. ZEICHENSUCHE**

1. Drücken Sie die Taste (13) AMS viermal um in den Modus Zeichensuche zu gelangen.
2. Drücken Sie die Auswahltaste (3) einmal, der Buchstabe „A“: wird angezeigt.
3. Durch drehen des Lautstärkereglers (3) werden die Buchstaben ausgewählt.
4. Drücken der Auswahltaste (3) länger als 2 Sekunden
5. Die Titel die mit diesem Buchstaben beginnen werden angezeigt,
6. Durch drehen des Lautstärkereglers (3) wird der Titel ausgewählt
7. Bei drücken der Auswahltaste (3) beginnt die Wiedergabe.

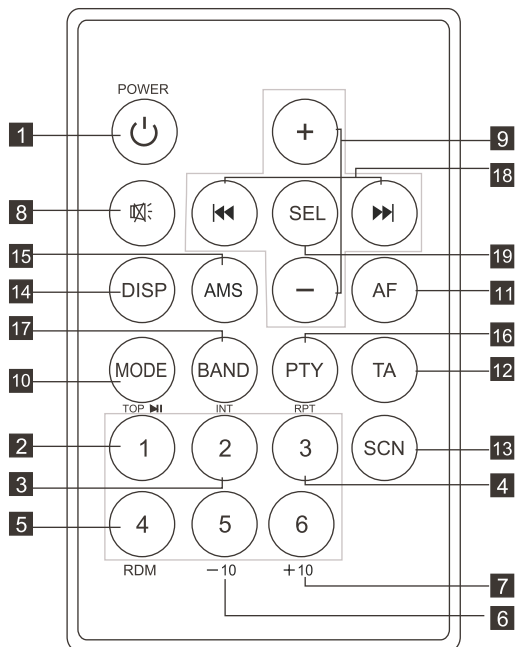
## ÜBERBLICK MP3/WMA

1. MP3 ist die Abkürzung von MPEG-1 Audio Layer 3 und bezieht sich auf ein Verfahren zur verlustbehafteten Kompression digital gespeicherter Audiodaten.
2. Dieses Gerät ermöglicht die Wiedergabe der MP3 Dateien von CD-ROM, CD-R oder CD-RW
3. Das Gerät kann MP3 Dateien lesen die nach der Norm ISO 9660 geschrieben sind. Komprimierte MP3 Dateien werden nicht unterstützt.
4. Das Gerät kann keine Dateien lesen die eine andere Endung als MP3 haben
5. Beim Versuch eine Datei mit der Endung MP3 abzuspielen, die aber keine solche ist bekommt man nur Rauschen zu hören
6. In dieser Bedienungsanleitung beziehen wir uns auf die sogenannten "MP3-Datei" und "Ordner" in der PC-Terminologie als "Titel" und "Album."
7. Es sind maximal acht Verzeichnisebenen zulässig, inklusive der Hauptebene. Die maximale Anzahl von Ordnern und Dateien pro CD ist 256.
8. Die Wiedergabe erfolgt nicht nach den Dateinummern. Wenn die CD sowohl Audio als auch MP3 Dateien enthält, werden nur Audiodateien abgespielt.
9. Bei der Wiedergabe einer VBR-Datei (Variable Bitrate) von 8 Kbps wird die Spieldauer im Display nicht richtig angezeigt und die Option Intro kann Fehlerhaft funktionieren.
10. Das Gerät unterstützt die Wiedergabe von WMA – Dateien. Die Wiedergabe von ID3 Tag ist Abhängig von der Version und Disponibilität des kyrillischen Alphabetes.
11. WMA (Windows Media Audio) – Format zur Komprimierung von digitalen Audioinhalten mit verlustbehafteter Kompression und ist ein Audio-Codex von Microsoft. Die Audiodatei wird komprimiert, beinhaltet aber eine gute Tonqualität auch bei niedrigen Transferraten (z.B. 64 Kbit/s)
12. Das Gerät spielt die Titel nicht in der Reihenfolge ab wie sie sich auf der CD befinden

### Anmerkungen zum brennen von MP3 Dateien auf CD-R oder CD-RW

1. Für eine gute Klangqualität wird empfohlen die MP3 Dateien mit einer Frequenz von 44,1 KHz und einer Transferrate von 128 Kbps zu konvertieren.
2. Speichern Sie nicht mehr als 256 Dateien auf einer CD.
3. Gemäß ISO 9660 sind maximal acht Verzeichnisebenen zulässig.
4. Eine nicht abgeschlossene CD-R wird nicht erkannt.
5. Das brennen von MP3, CD-R oder CD-RW muss als Datenformat und nicht als Audioformat geschehen.
6. Die CD sollte keine anderen Dateien außer MP3 enthalten, da dieses die Wiedergabe verzögert.
7. Niedrigere Qualität der Rohlinge kann die Wiedergabe beeinträchtigen. Es wird empfohlen hochwertige CD-R oder RW Rohlinge zu verwenden.
8. Im Display werden bis zu 16 Buchstaben der Titel oder Alben angezeigt. Version 1x von ID3Tag ist notwendig.
9. Das Gerät spielt die Titel nicht in der Reihenfolge ab wie sie sich auf der CD befinden.

## FERNBEDIENUNG

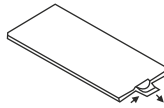


- |  |   |
|--|---|
| 1. Taste Ein/Aus                               | 11. Taste Alternativfrequenzen  |
| 2. Taste Pause/Start/Stationstaste 1           | 12. Taste Verkehrsinformationen                                       |
| 3. Taste Intro/ Stationstaste 2                | 13. Taste Suchen  |
| 4. Taste Wiederholung/Stationstaste 3          | 14. Taste Display   |
| 5. Taste Zufällige Reihenfolge/Stationstaste 4 | 15. Taste APS/AMS   |
| 6. Taste Stationstaste 5                       | 16. Taste Programmtyp   |
| 7. Taste Stationstaste 6                       | 17. Taste Wellenbereich wählen  |
| 8. Taste Ton aus                               | 18. Taste Einstellen/Melodie Auswählen/<br>Schneller Vorlauf/Rücklauf |
| 9. Taste Lautstärke                            | 19. Tasten zum Auswählen.   |
| 10. Taste Modus auswählen                      |   |

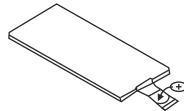
## BATTERIE AUSTAUSCHEN

Wenn die Reichweite der Fernbedienung nachlässt, oder nicht mehr funktioniert, muss die Batterie ausgetauscht werden. Verwenden Sie für die neue Batterie den Typus CR2025. Beim Einlegen der Batterie achten Sie auf die korrekte Polarität.

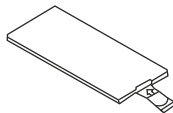
1. Ziehen Sie das Batteriefach hinaus bei gedrückter Sicherung.



2. Legen Sie die Batterie mit dem (+) Zeichen nach oben in den Halter.



3. Schieben Sie das Batteriefach in die Fernbedienung.



## **TECHNISCHE DATEN**

### **ALLGEMEINE TECHNISCHE DATEN**

BETRIEBSSPANNUNG:	14,4 V DC, negativer Masseanschluss
LAUTSPRECHERIMPEDANZ:	4 OHM
MAXIMALE AUSGANGSLEISTUNG:	25W x 4 Kanäle
ABMESSUNGEN:	178 X 163 X 50 mm (B x T x H)
LEISTUNGS-AUFNAHME:	10A

### **TÖNE**

BASS (bei 100 Hz):	+10 dB/-10dB
HÖHEN (bei 10 KHz):	+10 dB/-10 dB

### **CD**

SIGNAL- RAUSCHABSTAND:	größer als 60dB
STATIONEN TRENNUNG:	größer als 60dB
FREQUENZGANG:	20 Hz-20 KHz

### **RADIO FM**

EMPFANGSBEREICH (MHz):	87.5 – 108 MHz
ZWISCHENFREQUENZ (IF):	10.7 MHz
SENSIBILITÄT (S/N-30 dB):	12 dB $\mu$
KANALTRENNUNG:	> 30 dB

### **RADIO AM**

EMPFANGSBEREICH (KHz):	522 – 1620 KHz
ZWISCHENFREQUENZ (IF):	450 KHz
SENSIBILITÄT (S/N-20dB):	<42 dB $\mu$

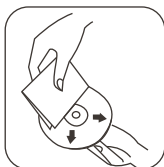
### **HINWEIS:**

**TECHNISCHE DATEN KÖNNEN OHNE VORANKÜNDIGUNG GEÄNDERT WERDEN**

## ALLGEMEINE HINWEISE FOR DER CD INBETRIEBNAHME

### CD-Reinigung

Vor der Wiedergabe einer CD, wischen Sie die CD-s zum Reinigen mit einem weichen Tuch von der Mitte zum Rand hin ab. Reinigen Si die CD mit sauberem Material, frei von Staub. Reinigen Sie die CD in Richtung des Pfeils.



Legen Sie die CD ein mit der Beschriftung nach oben. Wenn die CD mit der bedruckten Seite nach unten eingelegt ist, kann das Gerät beschädigt werden.



**HINWEIS:** Wenn sich bereits eine CD im Gerät befindet, versuchen Sie nicht eine andere einzulegen. Auch das kann das Gerät beschädigen.

Halten Sie die CD am Rand. Damit die Oberfläche der CD sauber bleibt sollte man die Oberfläche nicht berühren. Entnehmen Sie die CD richtig.



Kleben Sie kein Band, Etiketten oder andere Klebstoffe auf die CD.

Vermeiden Sie direktes Sonnenlicht oder Kontakt mit anderen Wärmequellen.

Die CD-s sollten nicht im Auto Aufbewahrt werden wenn es in der Sonne steht, da dieses zu einer Erwärmung des Autos führt und die CD-s können dadurch beschädigt werden.

**HINWEIS:**

Vermeiden Sie die Verwendung von Lösungsmitteln wie Petroleum oder andere Verdünnungsmittel. Auch handelsüblicher Antistatikspray kann das Gerät beschädigen

## STÖRUNGSBEHEBUNG

Vor dem Studium der Tabelle, überprüfen Sie die Anschlusskabel. Sollte Ihr Problem nicht behoben werden, nachdem Sie die Tabelle überprüft haben, wenden Sie sich bitte an Ihren nächstgelegenen Service.

Symptome	Ursache	Abhilfemaßnahme
Gerät Bekommt Keinen Strom	Kein Kontakt	Wenn die Stromzufuhr in Ordnung ist, dann Kontakt auf ACC
	Die Sicherung ist durchgebrannt	Sicherung Austauschen
Die Cd Läst Sich Nicht Einlegen Oder Herausnehmen	Es befindet sich bereits eine CD im Gerät	CD herausnehmen und eine andere einlegen
	Die CD ist nicht richtig Eingelegt	CD richtig einlegen, mit der bedruckten Seite nach oben
	CD ist beschmutzt oder defekt	CD reinigen oder andere CD einlegen
	Die Innentemperatur des Autos ist zu hoch	Lüften bis sich die Temperatur wieder normalisiert
	Kondensation	Lassen Sie das Gerät Ausgeschaltet für eine Stunde oder länger
Kein Ton	Lautstärke ist Minimum	Lautstärke regeln
	Die Kabel sind nicht richtig Angeschlossen	Überprüfen Sie die Kabelverbindungen
Ton Unterbrechungen	Der Montagewinkel ist größer als 30°	Verkleinern Sie den Montagewinkel unter 30°
Die Tasten Funktionieren Nicht	Der Mikroprozessor funktioniert nicht richtig	Drücken Sie RESET oder überprüfen Sie den Sitz der Frontplatte
Radio Oder Automatische Sendersuche Funktionieren Nicht	Das Antennenkabel ist nicht richtig Angeschlossen	Überprüfen Sie den Anschluss der Antenne
	Das Signal ist zu Schwach	Der Radiosender wird manuell Eingestellt



## Poland



### ***Prawidłowe usuwanie produktu (zużyty sprzęt elektryczny i elektroniczny)***

Oznaczenie umieszczone na produkcie lub w odnoszących się do niego tekstach wskazuje, że po upływie okresu użytkowania nie należy usuwać z innymi odpadami pochodzącymi z gospodarstw domowych. Aby uniknąć szkodliwego wpływu na środowisko naturalne i zdrowie ludzi wskutek niekontrolowanego usuwania odpadów, prosimy o oddzielenie produktu od innego typu odpadów oraz odpowiedzialny recykling w celu promowania ponownego użycia zasobów materialnych jako stałej praktyki.

W celu uzyskania informacji na temat miejsca i sposobu bezpiecznego dla środowiska recyklingu tego produktu użytkownicy w gospodarstwach domowych powinni skontaktować się z punktem sprzedaży detalicznej, w którym dokonali zakupu produktu, lub z organem władz lokalnych

Użytkownicy w firmach powinni skontaktować się ze swoim dostawcą i sprawdzić warunki umowy zakupu. Produkt nie należy usuwać razem z innymi odpadami komercyjnymi.

Wyprodukowano w CHRL dla LECHPOL Zbigniew Leszek, Miętne ul..Garwolińska 1 08-400 Garwolin.

## English



### ***Correct Disposal of This Product (Waste Electrical & Electronic Equipment)***

***(Applicable in the European Union and other European countries with separate collection systems)***

This marking shown on the product or its literature, indicates that it should not be disposed with other household wastes at the end of its working life. To prevent possible harm to the environment or human health from uncontrolled waste disposal, please separate this from other types of wastes and recycle it responsibly to promote the sustainable reuse of material resources.

Household users should contact either the retailer where they purchased this product, or their local government office, for details of where and how they can take this item for environmentally safe recycling.

Business users should contact their supplier and check the terms and conditions of the purchase contract. This product should not be mixed with other commercial wastes for disposal.

Made in China for LECHPOL Zbigniew Leszek, Miętne, 1 Garwolińska Street 08-400 Garwolin.

## Romania



### ***Reciclarea corectă a acestui produs (reziduuri provenind din aparatura electrică și electronică)***

Marcajale de pe acest produs sau menționate în instrucțiunile sale de folosire indică faptul că produsul nu trebuie aruncat împreună cu alte reziduuri din gospodărie atunci când nu mai este în stare de funcționare. Pentru a preveni posibile efecte dăunătoare asupra mediului înconjurător sau a sănătății oamenilor datorate evacuarii necontrolate a reziduurilor, vă rugăm să separați acest produs de alte tipuri de reziduuri și să-l reciclați în mod responsabil pentru a promova refolosirea resurselor materiale.

Utilizatorii casnici sunt rugați să ia legătura fie cu distribuitorul de la care au achiziționat acest produs, fie cu autoritățile locale, pentru a primi informații cu privire la locul și modul în care pot depozita acest produs în vederea reciclării sale ecologice.

Utilizatorii instituționali sunt rugați să ia legătura cu furnizorul și să verifice condițiile stipulate în contractul de vânzare. Acest produs nu trebuie amestecat cu alte reziduuri de natură comercială.

Produs în RPC pentru Lechpol Electronic SRL, Republicii nr. 5, Resita, CS, ROMANIA.

**Deutsch**



**Korrekte Entsorgung dieses Produkts  
(Elektromüll)**

**(Anzuwenden in den Ländern der Europäischen Union und anderen europäischen Ländern mit einem separaten Sammelsystem)**

Die Kennzeichnung auf dem Produkt bzw. auf der dazugehörigen Literatur gibt an, dass es nach seiner Lebensdauer nicht zusammen mit dem normalen Haushaltsmüll entsorgt werden darf. Entsorgen Sie dieses Gerät bitte getrennt von anderen Abfällen, um der Umwelt bzw. der menschlichen Gesundheit nicht durch unkontrollierte Müllbeseitigung zu schaden. Recyceln Sie das Gerät, um die nachhaltige Wiederverwertung von stofflichen Ressourcen zu fördern

Private Nutzer sollten den Händler, bei dem das Produkt gekauft wurde, oder die zuständigen Behörden kontaktieren, um in Erfahrung zu bringen, wie sie das Gerät auf umweltfreundliche Weise recyceln können

Gewerbliche Nutzer sollten sich an Ihren Lieferanten wenden und die Bedingungen des Verkaufsvertrags konsultieren. Dieses Produkt darf nicht zusammen mit anderem Gewerbemüll entsorgt werden

Made in China für Lechpol Electronics Bv Provincialeweg 7, 3248 Lk Melissant, Holland





***Peiying***<sup>®</sup>

***[www.peiying.pl](http://www.peiying.pl)***