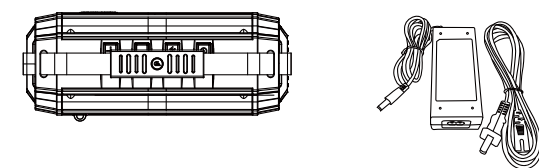




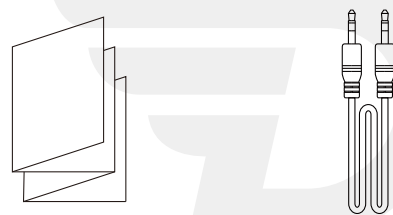
# TREMOR USER GUIDE

DreamWave Audio USA, LLC  
www.godreamwave.com

## What's in the box



- TREMOR X1
- Ac adaptor X1

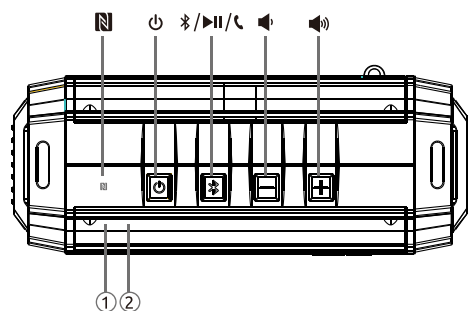


- User guide X1
- AUX cable X1

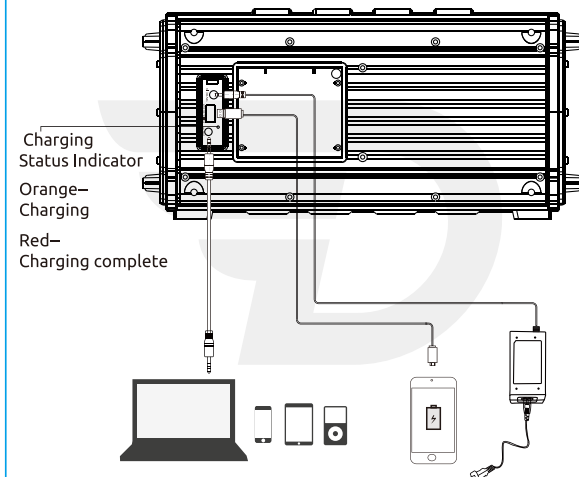


- Warranty card X1

## Product Introduction

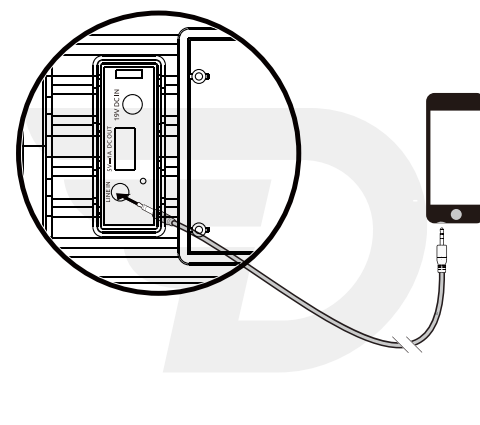


- 1 Bluetooth & Line in LED  
Solid Red—Line in mode  
Flash Red—Low battery  
Flash Blue fast—searching for pairing  
Flash Blue slow—sync back  
Blue solid —connection complete
- 2 Pairing LED for dual Pairing mode  
Red flash—searching for pairing  
Red solid—connection complete

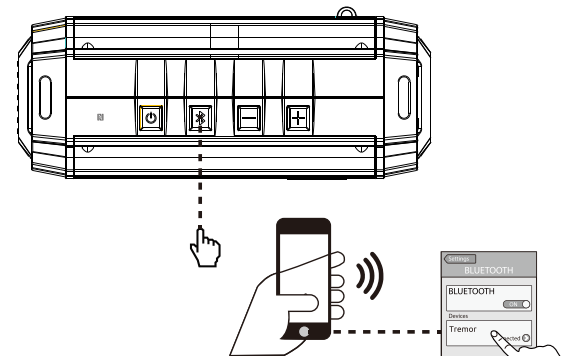


Charging Status Indicator  
Orange—Charging  
Red—Charging complete

## AUX-IN

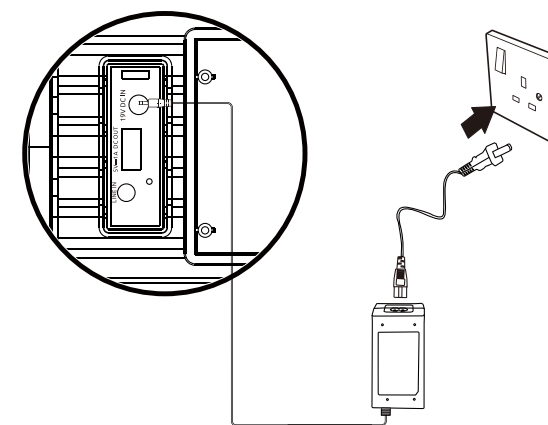


## Bluetooth

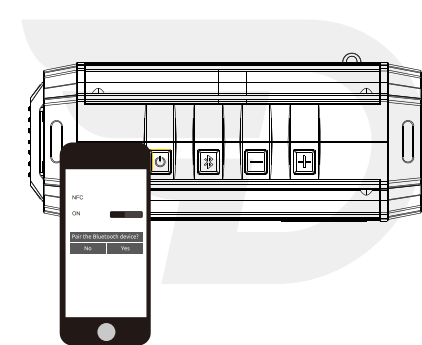


\* After connection, battery status of the Tremor can be shown on iPhones' Notification Panel with iOS 5.0 and above.

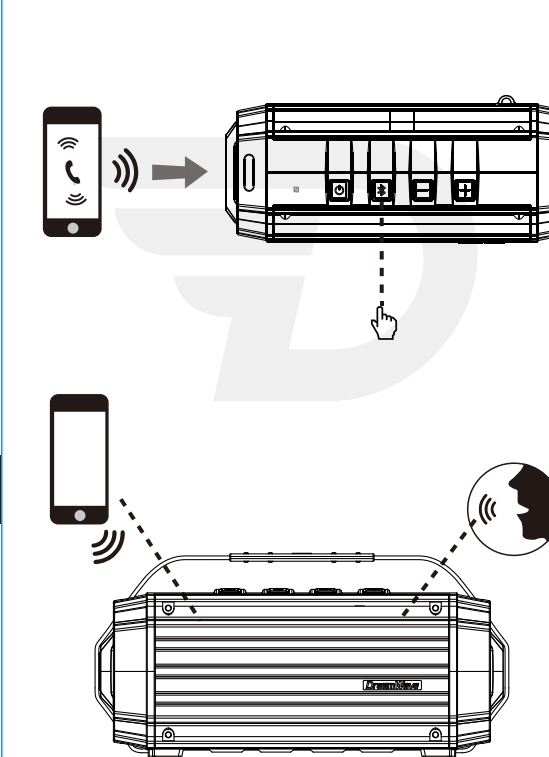
## Battery Charging



## NFC function

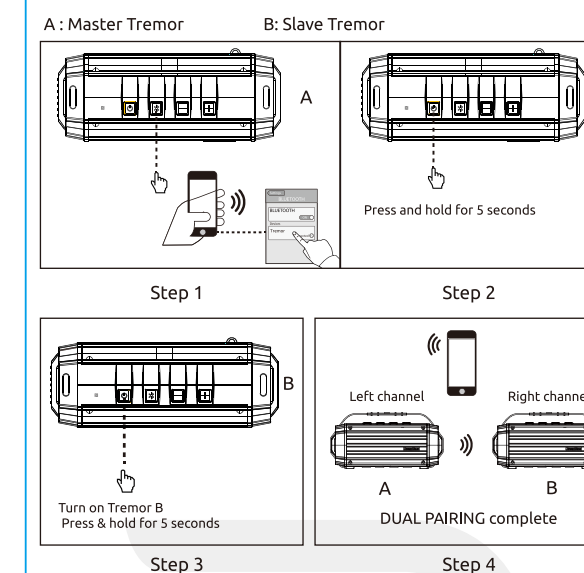


## Hands-free



## CONNECT TWO AT ONCE WITH DUAL PAIRING MODE

For the ULTIMATE listening experience, you can pair or connect TWO Tremor speakers together by using DUAL PAIRING MODE with the following steps:



1. Make sure you turn off all music apps on your mobile device before entering DUAL PAIRING mode.
2. The Tremor is capable of connecting with two separate mobile devices at one time. However, to enter DUAL PAIRING mode, please make sure the first "Master" Tremor you are pairing with is connected to ONLY ONE mobile device.
3. The second "Slave" Tremor must not be connected with any mobile devices before entering DUAL PAIRING mode.
4. In DUAL PAIRING mode, pressing the power button on either of the two Tremors, will turn off both Tremors together.
5. Successfully DUAL PAIRED Tremors will remain paired even after you power them off and will automatically stay connected the next time you power them on for use.

Technical information	EN	DK	ES	PL	CHT	Trouble shooting
<p><b>Power:</b> 50W RMS</p> <p><b>Bluetooth Version:</b> 4.0 + EDR</p> <p><b>Bluetooth Chipset:</b> CSR</p> <p><b>Support:</b> A2DP, AVRCP, APTX, NFC</p> <p><b>Hi-Fi digital amplifier, Anti-distortion</b></p> <p><b>Handsfree speakerphone</b></p> <p><b>5V/1A power bank (76.96Wh)</b></p> <p><b>IP rate:</b> IPX5, splashproof</p> <p><b>Power:</b> 50W</p> <p><b>Frequency response:</b> 40Hz-20kHz</p> <p><b>SN Ratio:</b> 75dB</p> <p><b>Battery type:</b> Li-ion 3.7V/20800mAh (14.8V/5200mAh)</p> <p><b>Music playing time:</b> 8hrs at max volume, full bass status</p> <p><b>Dimensions:</b> H180xW445xD170(mm) / 17.3 x 7.0 x 6.69 inch</p> <p><b>Weight:</b> 5700g / 5.7KG/12.54 lb / 201.04 oz</p> <p><b>Connect 2 At Once by Dual-pairing.</b> Turn two TREMORS to left and right channel stereo sound</p> <p><b>IPX5 Splashproof</b></p> <p><b>USB 5V/1A output for charging mobile devices</b> 3.7V/20800mAh or 14.8V/5200mAh (76.96Wh)</p> <p><b>Dimensions:</b> 440 x 178 x 170 mm / 17.3 x 7.0 x 6.69 inch</p> <p><b>NET Weight:</b> 5700g / 5.7KG/12.54 lb / 201.04 oz</p>	<p><b>Bluetooth Version:</b> 4.0 + EDR</p> <p><b>Bluetooth Chipset:</b> CSR</p> <p><b>Support:</b> A2DP, AVRCP, APTX, NFC</p> <p><b>Hi-Fi digital amplifier, Anti-distortion</b></p> <p><b>Handsfree speakerphone</b></p> <p><b>5V/1A power bank (76.96Wh)</b></p> <p><b>IP rate:</b> IPX5, splashproof</p> <p><b>Power:</b> 50W</p> <p><b>Frequency response:</b> 40Hz-20kHz</p> <p><b>SN Ratio:</b> 75dB</p> <p><b>Battery type:</b> Li-ion 3.7V/20800mAh (14.8V/5200mAh)</p> <p><b>Music playing time:</b> 8hrs at max volume, full bass status</p> <p><b>Dimensions:</b> H180xW445xD170(mm) / 17.3 x 7.0 x 6.69 inch</p> <p><b>Weight:</b> 5700g / 5.7KG/12.54 lb / 201.04 oz</p>	<p><b>Bluetooth Version:</b> 4.0 + EDR</p> <p><b>Bluetooth Chip:</b> CSR</p> <p><b>Understøtter:</b> A2DP, AVRCP, APTX, NFC</p> <p><b>Hi-Fi digital forstærker, Anti-forvrængning</b></p> <p><b>Håndfri højtalertelefon</b></p> <p><b>5V/1A power bank (76.96Wh)</b></p> <p><b>IP rate:</b> IPX5, splashproof</p> <p><b>Effekt:</b> 50W</p> <p><b>Frekvensområde:</b> 40Hz-20kHz</p> <p><b>Signal/støj forhold:</b> 75dB</p> <p><b>Batteri type:</b> Lithium-ion 3.7V/20800mAh (14.8V/5200mAh)</p> <p><b>8 timer ved max volumen og fuld bas</b></p> <p><b>Dimensioner:</b> H180xW445xD170(mm) / 17.3 x 7.0 x 6.69 inch</p> <p><b>Vægt:</b> 5700g / 5.7KG/12.54 lb / 201.04 oz</p>	<p><b>Versión Bluetooth:</b> 4.0 + EDR</p> <p><b>Chipset Bluetooth:</b> CSR</p> <p><b>Compatible:</b> NFC, A2DP, AVRCP, APTX, Hi-Fi amplificador digital, Anti-distorsión, altavoz manos libres</p> <p><b>5V/1A banco de potencia (76.96Wh)</b></p> <p><b>Certificación IPX:</b> IPX5 (a prueba de salpicaduras)</p> <p><b>Potencial nominal:</b> 50W</p> <p><b>Respuesta de frecuencia:</b> 40Hz-20kHz</p> <p><b>SN Proporcional:</b> 75dB</p> <p><b>Tipo de Batería:</b> Lones de litio 3.7V/20800mAh (14.8V/5200mAh)</p> <p><b>Tiempo de Reproducción de Música:</b> 8 hrs con volumen máximo</p> <p><b>Dimensiones:</b> H180xW445xD170(mm) / 17.3 x 7.0 x 6.69 inch</p> <p><b>Peso:</b> 5700g / 5.7KG/12.54 lb / 201.04 oz</p>	<p><b>Wersja Bluetooth:</b> 4.0 + EDR</p> <p><b>Chipset:</b> CSR</p> <p><b>Funkcje:</b> A2DP, AVRCP, APTX, NFC</p> <p><b>Cyfrowy wzmacniacz Hi-Fi, brak zniekształceń</b></p> <p><b>Zestaw głośnomówiący</b></p> <p><b>Power bank 5V/1A (76.96Wh)</b></p> <p><b>IPX5, odporny na zachłapania</b></p> <p><b>Moc znamionowa:</b> 50W</p> <p><b>Pasmo przenoszenia:</b> 40Hz-20kHz</p> <p><b>Stosunek sygnału do szumu (S/N):</b> 75dB</p> <p><b>Bateria: Litowo-jonowa 3.7V/20800mAh (14.8V/5200mAh)</b></p> <p><b>Czas odtwarzania muzyki:</b> 8 godz. z maksymalną głośnością i basem</p> <p><b>Wymiary:</b> H180xW445xD170(mm) / 17.3 x 7.0 x 6.69 inch</p> <p><b>Waga:</b> 5700g / 5.7KG/12.54 lb / 201.04 oz</p>	<p><b>蓝牙版本:</b> 4.0 + EDR</p> <p><b>蓝牙晶片:</b> CSR</p> <p><b>支持:</b> A2DP, AVRCP, APTX, NFC</p> <p><b>Hi-Fi数字功放</b></p> <p><b>免提通话</b></p> <p><b>5V/1A内置移动电源(76.96Wh)</b></p> <p><b>防水等级:</b> IPX5</p> <p><b>功率:</b> 50W</p> <p><b>频率:</b> 40Hz-20kHz</p> <p><b>信噪比:</b> 75dB</p> <p><b>电池:</b> 3.7V/20800mAh (14.8V/5200mAh) 锂电池</p> <p><b>播放时长:</b> 最大音量下续航8小时</p> <p><b>产品尺寸:</b> H180xW445xD170(mm) / 17.3 x 7.0 x 6.69 inch</p> <p><b>产品净重:</b> 5700g / 5.7KG/12.54 lb / 201.04 oz</p>	<ul style="list-style-type: none"> <li>• Applicable To: All DreamWave Bluetooth speakers.</li> <li>• The trouble shooting steps in this article apply if audio is intermittent, crackling or distorted when streaming via Bluetooth.</li> </ul> <ol style="list-style-type: none"> <li>1. Try playing other audio files. Ensure that audio can play fine from the same audio device when using a headphone.</li> <li>2. If Step 1 is not the case, try listening to audio by connecting the speaker to the Bluetooth device using the Aux-in cable. This will isolate if it's a Bluetooth connection issue or not. Remember to disconnect/un-pair the Bluetooth connection first.</li> <li>3. If the issue only happens when connecting via Bluetooth, do the following: <ol style="list-style-type: none"> <li>a. Check that you are connected to the correct speaker ( i.e. select "Tremor" within the Bluetooth list on your device).</li> <li>b. Check that the volume is not set to minimum.</li> <li>c. Ensure that the distance between the speaker and the Bluetooth device is with the distance of 10 meters.</li> <li>d. Turn the speaker off and turn it on again to reset the speaker.</li> <li>e. Clear the current pairing selection of your Bluetooth device.</li> <li>f. To further isolate the problem, do please shut down all other surrounding Bluetooth devices.</li> <li>g. Try to re-pair the speaker with the Bluetooth device.</li> </ol> </li> </ol> <p>If the problem still persist when connecting either to Bluetooth or Aux-in, please contact Dreamwave Customer Support via email.</p>
	<p><b>Bluetoothバージョン</b> 4.0 + EDR</p> <p><b>Bluetoothチップ:</b> CSR</p> <p><b>対応プロファイル:</b> A2DP, AVRCP, APTX, NFC</p> <p><b>Hi-Fi digital amplificateur, sans distorsion</b></p> <p><b>appel mains libre</b></p> <p><b>5V/1A puissance mobile (76.96Wh)</b></p> <p><b>防水性能:</b> IPX5, 防水</p> <p><b>定格出力:</b> 50W</p> <p><b>再生周波数:</b> 40Hz-20kHz</p> <p><b>SNレシオ:</b> 75dB</p> <p><b>バッテリー・タイプ:</b> リチウムリオン 3.7V/20800mAh (14.8V/5200mAh)</p> <p><b>連続再生時間:</b> 最大音量で8時間</p> <p><b>寸法:</b> H180xW445xD170(mm) / 17.3 x 7.0 x 6.69 inch</p> <p><b>重量:</b> 5700g / 5.7KG/12.54 lb / 201.04 oz</p>	<p><b>Bluetooth Version:</b> 4.0 + EDR</p> <p><b>Bluetooth Chip:</b> CSR</p> <p><b>soutien:</b> A2DP, AVRCP, APTX, NFC</p> <p><b>Hi-Fi digital amplificateur, sans distorsion</b></p> <p><b>appel mains libre</b></p> <p><b>5V/1A puissance mobile (76.96Wh)</b></p> <p><b>IP niveau:</b> IPX5, etanche</p> <p><b>Puissance:</b> 50W</p> <p><b>Frequence:</b> 40Hz-20kHz</p> <p><b>SN taux:</b> 75dB</p> <p><b>Batterie type:</b> Lithium-ionen 3.7V/20800mAh (14.8V/5200mAh)</p> <p><b>8 heures en maximum volume</b></p> <p><b>Dimensions:</b> H180xW445xD170(mm) / 17.3 x 7.0 x 6.69 inch</p> <p><b>Poids:</b> 5700g / 5.7KG/12.54 lb / 201.04 oz</p>	<p><b>Bluetooth Version:</b> 4.0 + EDR</p> <p><b>Bluetooth Chipsatz:</b> CSR</p> <p><b>Support:</b> A2DP, AVRCP, APTX, NFC</p> <p><b>Hi-Fi digitaler Verstärker, Gegen Verzerrung</b></p> <p><b>Freisprecheinrichtung</b></p> <p><b>5V/1A Akku (76.96Wh)</b></p> <p><b>IP rate:</b> IPX5, spritzwasser geschützt</p> <p><b>Power:</b> 50W</p> <p><b>Frequenz:</b> 40Hz-20kHz</p> <p><b>SN Verhältnis:</b> 75dB</p> <p><b>Batterietyp:</b> Lithium-Ionen 3.7V/20800mAh (14.8V/5200mAh)</p> <p><b>8 Stunden bei max Lautstärke, volle Bässe</b></p> <p><b>Abmessungen:</b> H180xW445xD170(mm) / 17.3 x 7.0 x 6.69 inch</p> <p><b>Gewicht:</b> 5700g / 5.7KG/12.54 lb / 201.04 oz</p>	<p><b>Версия Bluetooth:</b> 4.0 + EDR</p> <p><b>Bluetooth чип:</b> CSR</p> <p><b>Поддерживает:</b> A2DP, AVRCP, APTX, NFC</p> <p><b>Hi-Fi цифровой усилитель, защита от искажений</b></p> <p><b>Беспроводной микрофон</b></p> <p><b>5V/1A аккумулятор (76.96Wh)</b></p> <p><b>IPX5, защита от брызг</b></p> <p><b>Мощность:</b> 50W</p> <p><b>Частотная характеристика:</b> 40Hz-20kHz</p> <p><b>Отношение сигнал/шум:</b> 75dB</p> <p><b>Тип батареи:</b> Литиево-ионная 3.7V/20800mAh (14.8V/5200mAh)</p> <p><b>Продолжительность проигрывания:</b> 8 часов при максимальной громкости</p> <p><b>Параметры:</b> H180xW445xD170(mm) / 17.3 x 7.0 x 6.69 inch</p> <p><b>Вес:</b> 5700g / 5.7 кг/12.54 lb / 201.04 oz</p>	<p><b>蓝牙版本:</b> 4.0 + EDR</p> <p><b>蓝牙芯片:</b> CSR</p> <p><b>支持:</b> A2DP, AVRCP, APTX, NFC</p> <p><b>Hi-Fi数字功放</b></p> <p><b>免提通话</b></p> <p><b>5V/1A内置移动电源(76.96Wh)</b></p> <p><b>防水等级:</b> IPX5</p> <p><b>功率:</b> 50W</p> <p><b>频率:</b> 40Hz-20kHz</p> <p><b>信噪比:</b> 75dB</p> <p><b>电池:</b> 3.7V/20800mAh (14.8V/5200mAh) 锂电池</p> <p><b>播放时长:</b> 最大音量下续航8小时</p> <p><b>产品尺寸:</b> H180xW445xD170(mm) / 17.3 x 7.0 x 6.69 inch</p> <p><b>产品净重:</b> 5700g / 5.7KG/12.54 lb / 201.04 oz</p>	<p><b>IC ID:</b> 21889-LB285</p> <p><b>FCC ID:</b> 2AD2BLB285</p> <p><b>Patent:</b> ZL201530028192.2</p> <p>204-620331</p> <p>CCC CE EAC RoHS IPX5</p>