


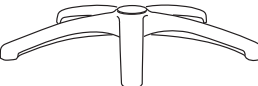

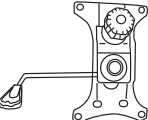
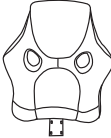

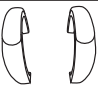
# DRAKKAR | JÖTUN







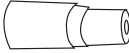


GAMING CHAIR USER MANUAL

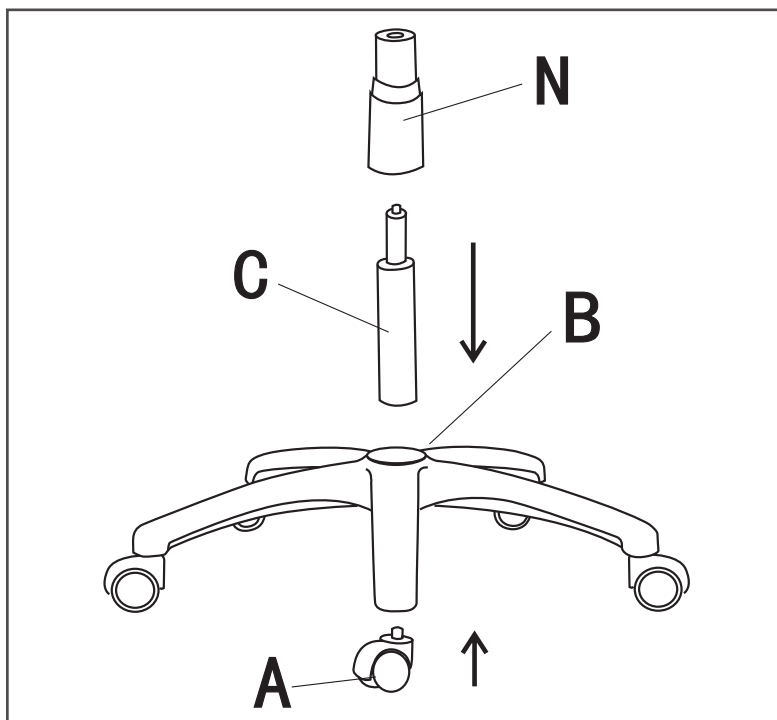
KONIX



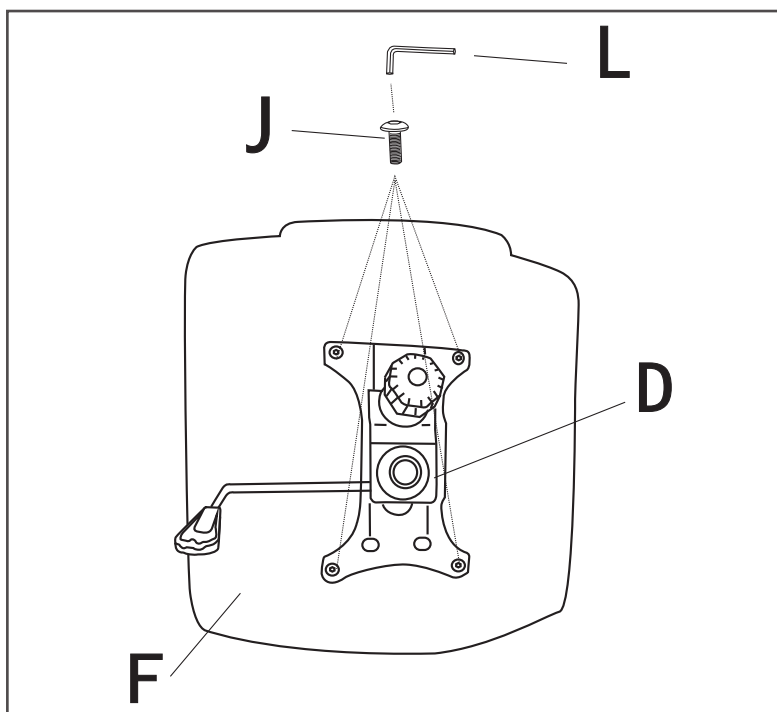
<b>A</b>		<b>5</b>
<b>B</b>		<b>1</b>
<b>C</b>		<b>1</b>
<b>D</b>		<b>1</b>
<b>E</b>		<b>1</b>
<b>F</b>		<b>1</b>
<b>G</b>		<b>2</b>

<b>H</b>		<b>4</b>
<b>I</b>		<b>4</b>
<b>J</b>		<b>4</b>
<b>K</b>		<b>4</b>
<b>L</b>		<b>1</b>
<b>M</b>		<b>1</b>
<b>N</b>		<b>1</b>

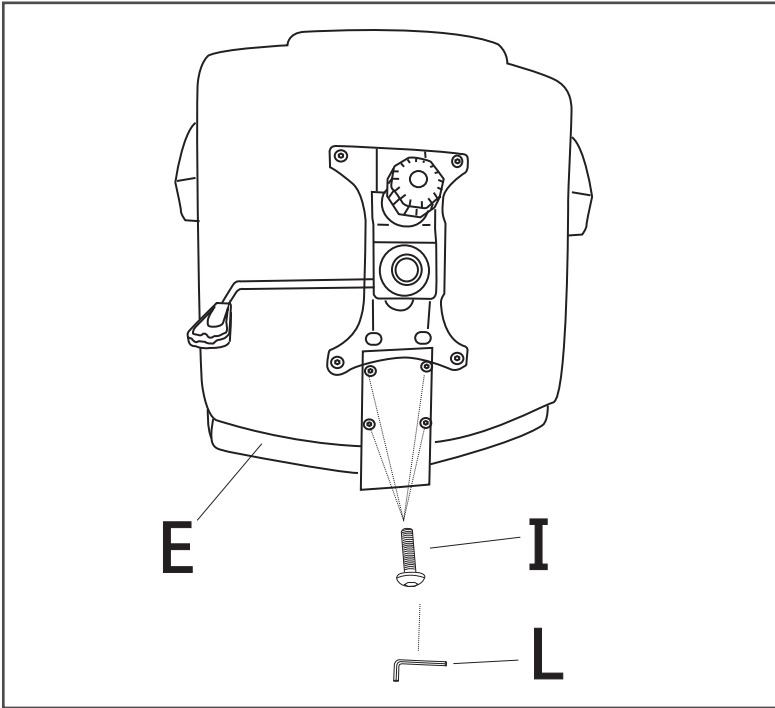
1



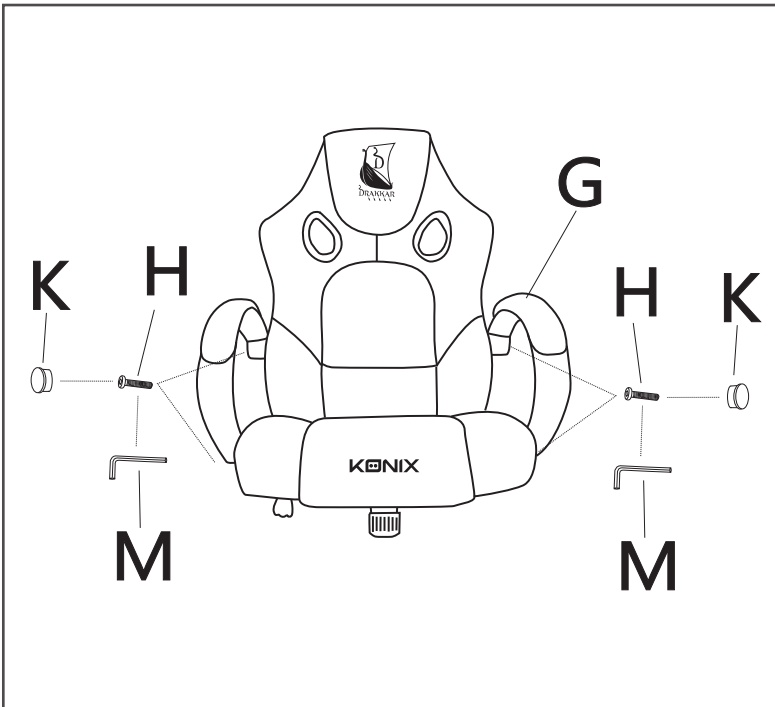
2



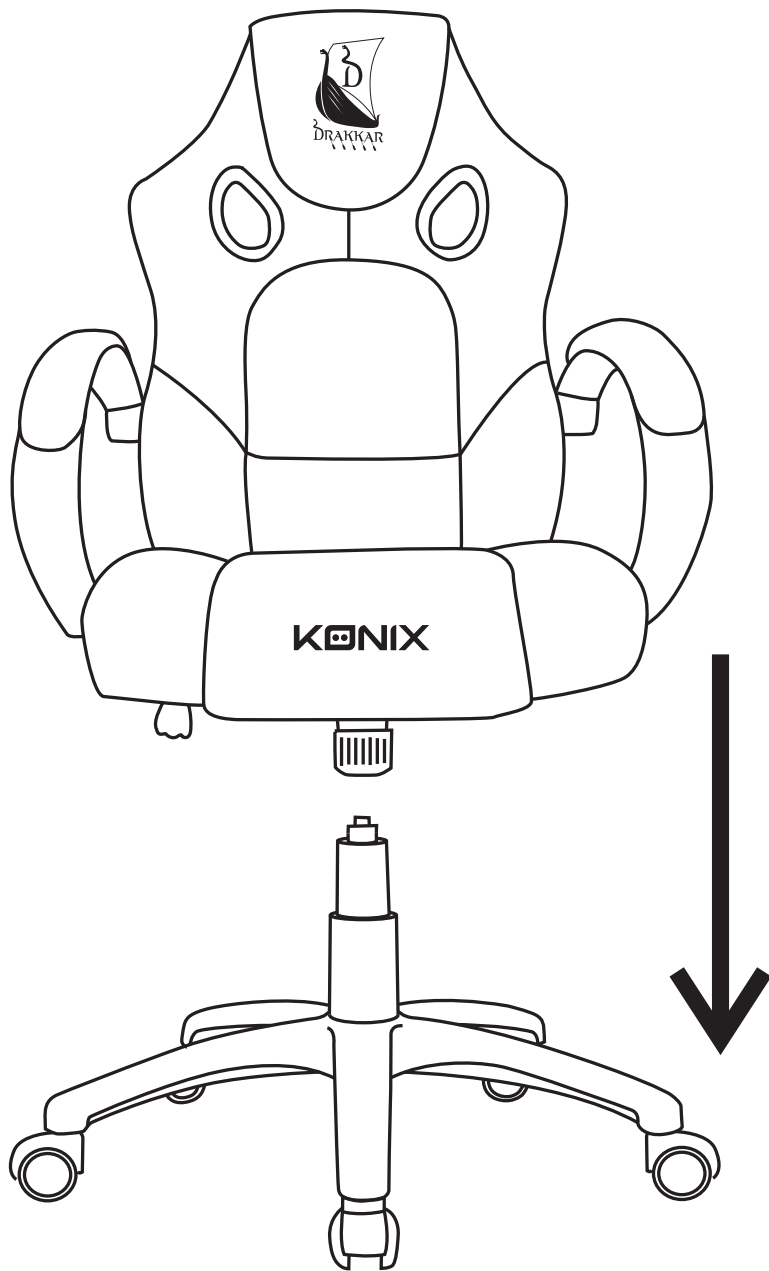
3



4



5



6



# KONIX

[www.konix-interactive.com](http://www.konix-interactive.com)

©2020 Konix. Innelec Multimedia - Konix, 45 rue Delizy, 93692 Pantin Cedex, FRANCE. The Konix and Drakkar brands and logos are trademarks of Innelec Multimedia S.A. All other trademarks are the property of their respective owners. All rights reserved. Made in PRC.

©2020 Konix. Innelec Multimedia - Konix, 45 rue Delizy, 93692 Pantin Cedex, FRANCE. Les marques et logos Konix et Drakkar sont des marques de commerce d'Innelec Multimedia S.A. Toutes les autres marques de commerce appartiennent à leurs propriétaires respectifs. Tous droits réservés. Fabriqué en RPC.

